

SYLVANIA Luminaires

Volumetric Troffer



Product Features

The Volumetric Troffers are environmentally preferable LED alternatives to traditional fluorescent luminaires, offering up to 58% in energy savings. They are offered in two sizes and are ideal for illuminating offices, retail and hospitality areas.

The volumetric design minimizes glare with a lens that extends into the frame, preventing light leaks. SYLVANIA luminaires assure optimum light engine performance for extended service life and rated life (1A: ≥100,000 hours L₇₀, 2A: ≥ 70,000 hours L₇₀).

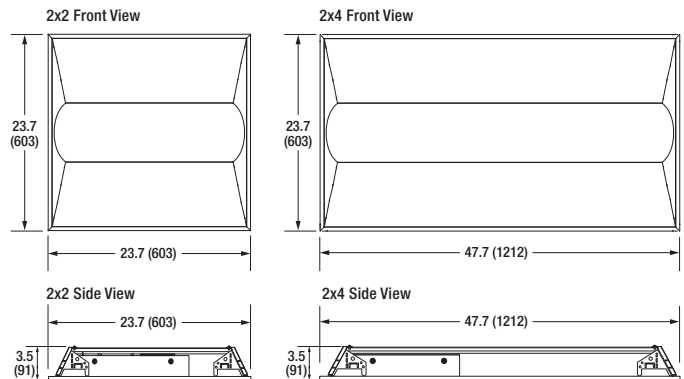
Wattage Comparison Chart

	Traditional Source	Traditional System Wattage	LED System Wattage	Energy Savings
2x2	3x17W T8	48	35	27%
	2xU31W T8	56	35	38%
	3x17W T8	48	25*	48%
	2xU31W T8	56	25*	55%
2x4	3x28W T8	73	42	42%
	3x32W T8	83	42	49%
	3x28W T8	73	35*	52%
	3x32W T8	83	35*	58%

* Volume2A Version

Catalog #	Type
Project	
Notes	
Date	
Prepared by	

Dimensions



Dimensions in inches (mm).

Specifications

- Weight:** 2x2: 8.3lbs (3.8kg) Standard, 2x4: 13.4lbs (6.1kg) Standard
2x2: 10.5lbs (4.8kg) Emergency, 2x4: 15.6lbs (7.1kg) Emergency
- Construction:** Post painted sheet metal with UV stabilized polycarbonate diffuse curved lens. The standard color is white.
- LED System:** LED system with a life rating of ≥100,000 hours (1A) and ≥70,000 hours (2A) at L₇₀ @ 25°C. Luminaire efficacy up to 138 LPW .
- Electrical:** Offered in 25, 35 and 42 watts, the luminaire is designed to operate through the 120-277 V_{AC} universal voltage range. The LED driver is a constant current device. The power factor is ≥90% and THD is ≤20%.
- Dimming:** The driver is 0-10V dimmable (down to 10%). Please reference the dimmer compatibility document (LEDLUM012).
- Color Characteristics:** CRI>80; CCT of 3500K or 4000K.
- Optics:** Single white diffuse polycarbonate curved lens.
- Options Available:** Emergency Battery Backup.
- Installation:** Luminaire is recessed in T-Grid ceilings.
- Operating Temperature:** -13°F to +104°F (-25°C to +40°C); EM: +32°F to +104°F (0°C to +40°C).
- Listings:** eTLus listed to UL1598C standards and wet rated for locations with a covered ceiling.
- Warranty:** Standard 5-year luminaire warranty (LEDLUM001).
- Note:** Specification subject to change without notice. IES files available online.



*DLC Premium only applicable on 2A versions.

Ordering Guide

Item Number:

VOLUME	XX	/	XXX	XXX	D	8	XX	/	XX	G	/	WH	/	X
Product Name	Generation		Wattage (1A)*	Voltage	Dimming	CRI	CCT		Dimension	Mounting		Color/Finish		Option
VOLUME	1A		035 = 35 Watts 042 = 42 Watts	UNV = 120-277V	D = 0-10V	8 = >80	35 = 3500K 40 = 4000K		22 = 2x2 24 = 2x4	G = Grid		WH = White		Blank = No Option E = Emergency
	2A		Wattage (2A)**											
			025 = 25 Watts 035 = 35 Watts											

*35W only available in 2x2 size, 42W only available in 2x4 size
**25W only available in 2x2 size, 35W only available in 2x4 size



Photometric Data

Average Initial Illuminance (FC) at 30" AFF and avg/min uniformity 80/50/20 Reflectances.
Calculations are based on 110ft x 50ft area.

			8 ft Mounting Height			10 ft Mounting Height			12 ft Mounting Height		
			On Center Fixture Spacing			On Center Fixture Spacing			On Center Fixture Spacing		
			8'x10'	10'x10'	10'x12'	8'x10'	10'x10'	10'x12'	8'x10'	10'x10'	10'x12'
2'x2'	25W	VOLUME2A/025UNVD835/22G/WH	41.5/1.48	34.2/1.29	30.3/1.51	40.2/1.55	33.3/1.40	29.2/1.32	38.6/1.60	32.1/1.48	28.1/1.26
		VOLUME2A/025UNVD840/22G/WH	42.0/1.48	34.6/1.29	30.7/1.52	40.8/1.55	33.8/1.40	29.6/1.32	39.2/1.60	32.5/1.49	28.5/1.26
	35W	VOLUME1A/035UNVD835/22G/WH	42.5/1.46	35.2/1.29	31.2/1.64	41.1/1.52	34.1/1.40	29.9/1.35	39.4/1.58	32.7/1.47	28.6/1.30
		VOLUME1A/035UNVD840/22G/WH	42.9/1.46	35.4/1.30	31.4/1.59	41.4/1.53	34.4/1.40	30.1/1.33	39.7/1.57	32.9/1.48	28.8/1.24
2'x4'	35W	VOLUME2A/035UNVD835/24G/WH	57.1/1.47	47.3/1.29	42.0/1.51	55.5/1.54	46.1/1.40	40.5/1.32	53.2/1.59	44.3/1.48	38.9/1.26
		VOLUME2A/035UNVD840/24G/WH	58.0/1.47	48.1/1.29	42.7/1.51	56.4/1.54	46.9/1.40	41.1/1.31	54.1/1.60	45.0/1.48	39.5/1.26
	42W	VOLUME1A/042UNVD835/24G/WH	54.0/1.48	44.8/1.31	39.6/1.45	52.3/1.55	43.5/1.41	38.2/1.30	50.2/1.60	41.7/1.49	36.6/1.26
		VOLUME1A/042UNVD840/24G/WH	58.3/1.48	48.3/1.30	42.7/1.45	56.5/1.55	46.9/1.41	41.2/1.29	54.1/1.59	45.0/1.48	39.5/1.25

*Table also applicable to emergency versions.

Ordering Information

Item Number	Ordering Abbreviation	Power (W)	Input Voltage	Dimming	CRI	Color Temp (CCT)	Size	Total Fixture Lumens	LPW*	DLC**	Options
74352	VOLUME1A/035UNVD835/22G/WH	35	120-277V	0-10V	>80	3500K	2x2	3500	107	Std	-
74353	VOLUME1A/035UNVD840/22G/WH	35	120-277V	0-10V	>80	4000K	2x2	3600	113	Std	-
74441	VOLUME1A/042UNVD835/24G/WH	42	120-277V	0-10V	>80	3500K	2x4	4400	103	Std	-
74442	VOLUME1A/042UNVD840/24G/WH	42	120-277V	0-10V	>80	4000K	2x4	4400	103	Std	-
74354	VOLUME1A/035UNVD835/22G/WH/E	35	120-277V	0-10V	>80	3500K	2x2	3500	107	Std	Emergency
74355	VOLUME1A/035UNVD840/22G/WH/E	35	120-277V	0-10V	>80	4000K	2x2	3600	113	Std	Emergency
74443	VOLUME1A/042UNVD835/24G/WH/E	42	120-277V	0-10V	>80	3500K	2x4	4400	103	Std	Emergency
74444	VOLUME1A/042UNVD840/24G/WH/E	42	120-277V	0-10V	>80	4000K	2x4	4400	103	Std	Emergency
71726	VOLUME2A/025UNVD840/22G/WH	25	120-277V	0-10V	>80	4000K	2x2	3300	136	Prm	-
74309	VOLUME2A/035UNVD835/24G/WH	35	120-277V	0-10V	>80	3500K	2x4	4600	135	Prm	-
74348	VOLUME2A/035UNVD840/24G/WH	35	120-277V	0-10V	>80	4000K	2x4	4600	138	Prm	-
71727	VOLUME2A/025UNVD835/22G/WH/E	25	120-277V	0-10V	>80	3500K	2x2	3200	134	Prm	Emergency
71728	VOLUME2A/025UNVD840/22G/WH/E	25	120-277V	0-10V	>80	4000K	2x2	3300	136	Prm	Emergency
74349	VOLUME2A/035UNVD835/24G/WH/E	35	120-277V	0-10V	>80	3500K	2x4	4600	135	Prm	Emergency
74356	VOLUME2A/035UNVD840/24G/WH/E	35	120-277V	0-10V	>80	4000K	2x4	4600	138	Prm	Emergency

*LPW per LM79 report.

**Prm for DLC Premium, Std for DLC Standard.

For further information and to learn more about utility rebates, contact your local SYLVANIA sales representative.

Options Information

Emergency Battery Backup:

Activates when normal power supply to the fixture fails, providing a minimum of 650 lumens (700 nominal lumens) for at least 90 minutes.

Accessories and Replacement Parts

Item Number	Ordering Abbreviation	Item Description
60457	FK1A14GWH	1x4 Flange Kit, White Finish
60458	FK1A22GWH	2x2 Flange Kit, White Finish
60459	FK1A24GWH	2x4 Flange Kit, White Finish

LEDVANCE LLC

200 Ballardvale Street

Wilmington, MA 01887 USA

Phone 1-800-LIGHTBULB (1-800-544-4828)

www.sylvania.com

SYLVANIA and LEDVANCE are registered trademarks.

All other trademarks are those of their respective owners.

Licensee of product trademark SYLVANIA in general lighting.

Specifications subject to change without notice.



/sylvania



/sylvania

