

# BundyPlus – Laser Scanner connection for a G6-Clock

Laser Scanner RJ 11 plug connects into the AUX RS 232 port



## Configuration and Set-up

### HOW DO I CONFIGURE THE CLOCK WITH AN IP ADDRESS?

To enter configuration mode, simply enter via the keypad “99999DDMM” where:

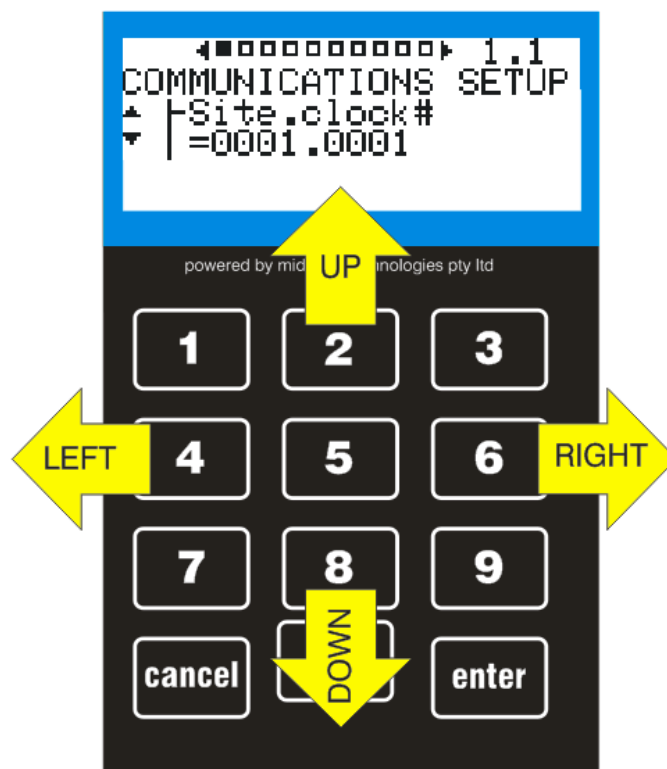
DD is the time clocks day e.g. 23 for 23rd day of the month

MM is the time clocks month e.g. 08 for August

Example: “999992308”

### Navigating around the step-up menu

Once you have entered in to the configuration mode, use the keypad to navigate the menu icons. Left (4) /right (6) moves the menu between main categories and up (2) /down (8) moves menu between each sub category.



If an Ethernet module is fitted to the “BundyPlus™” time clock, a static IP address will need to be set. This IP address will need to be assigned by your network administrator. (Default value is 192.168.001.250)

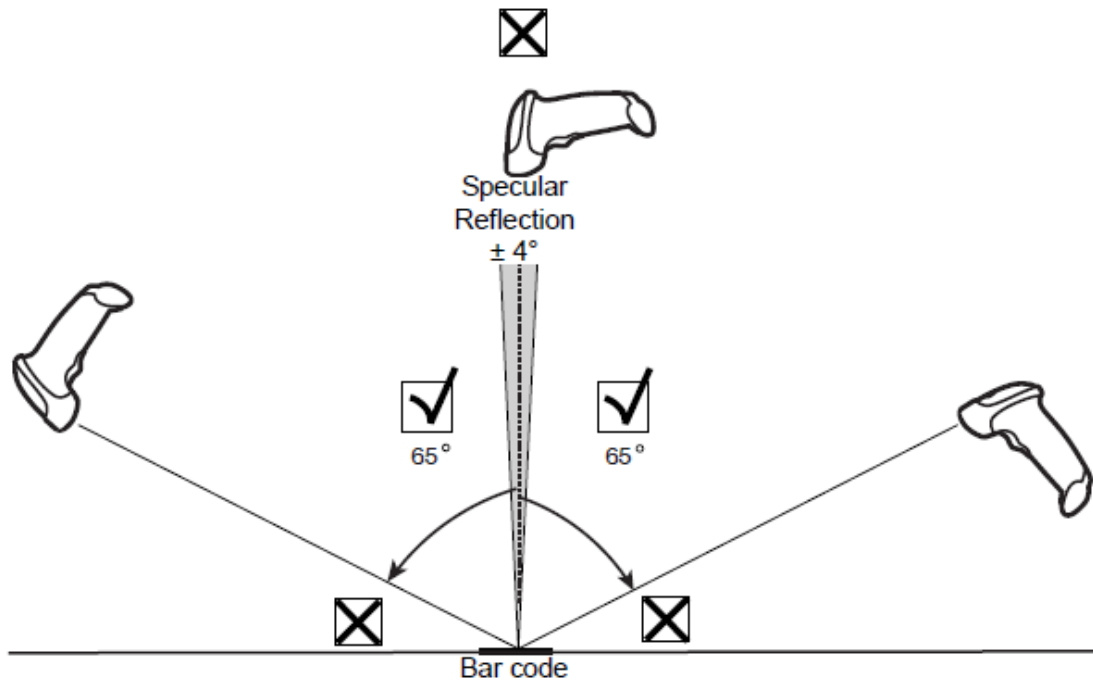
To edit this value, move down to menu item 1.2 and press ENTER. Key the new value required. CANCEL button will go back one character. The up arrow indicates which character is currently being set. Note that the third element in the standard address is “1” you will still need to enter “001”.

Once the complete number is completed, press ENTER and the new value will be displayed and saved.

This same IP address needs to be entering to clockcomms within BundyPlus under “Talk to Bundy Clock”.

# Aiming

Note: The scanner performs best when it is not exactly perpendicular to the bar code.



# Scanning In Hand-Held Mode

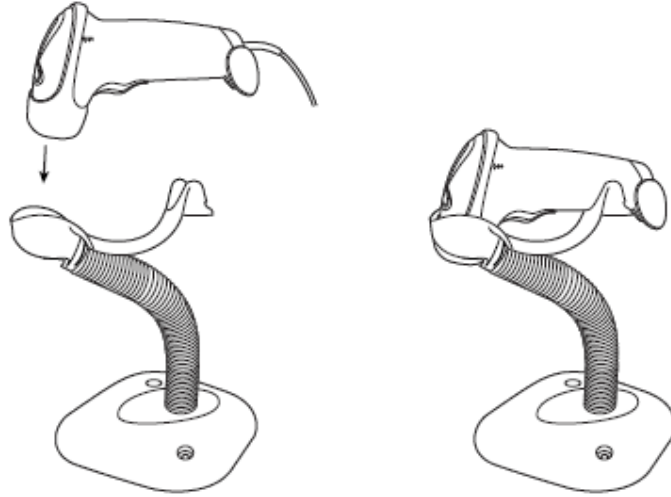
1. Ensure all connections are secure.
2. Aim the scanner at the bar code.
3. Ensure the scan line crosses every bar and space of the symbol.



4. Upon successful decode, the scanner beeps and the LED turns green.

# Scanning in Hands-Free Mode

In the stand, the scanner is in constant-on mode. When you remove the scanner from the stand it operates in its normal hand-held mode.



1. Insert scanner in stand.
2. Present bar code and ensure the scan line crosses every bar and space of the symbol.
3. Upon successful decode, the scanner beeps and the LED turns green.

Further information on the clock PLEASE refer to the Clock Manual on the BundyPlus install CD.