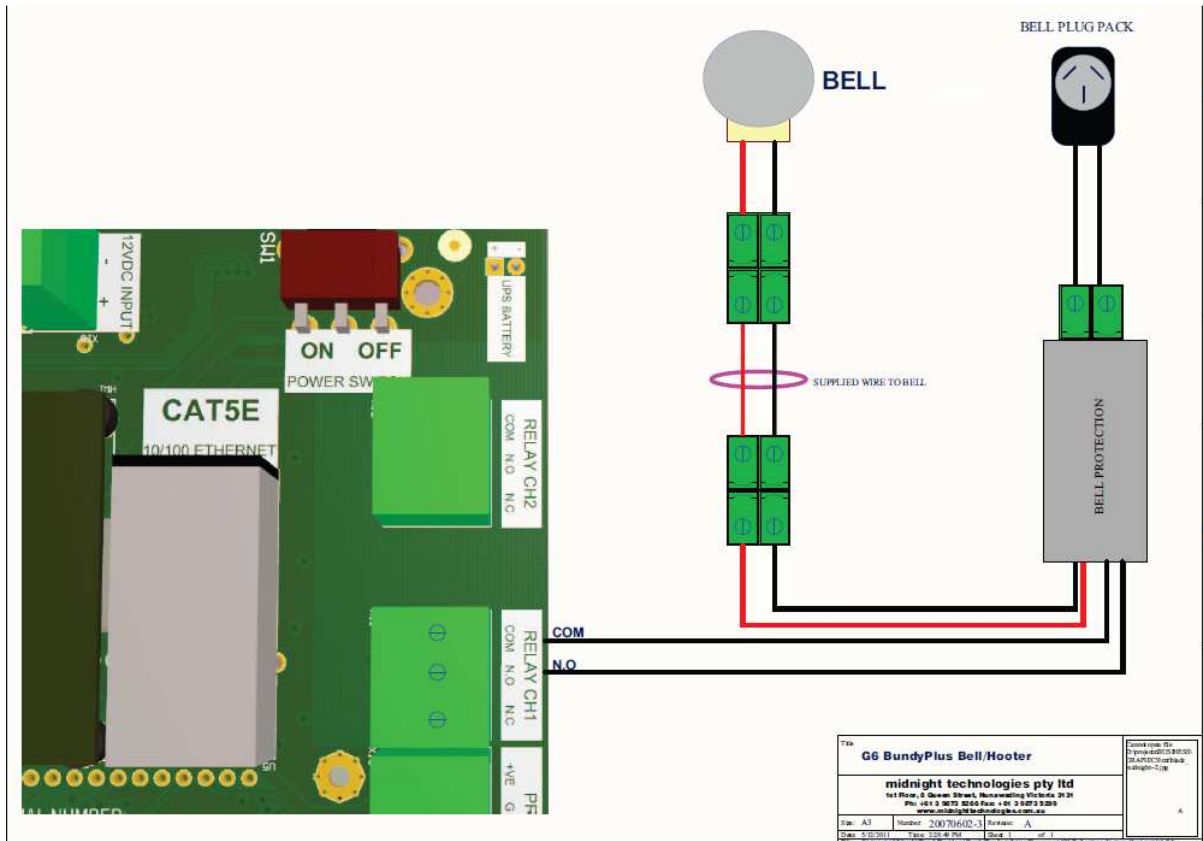
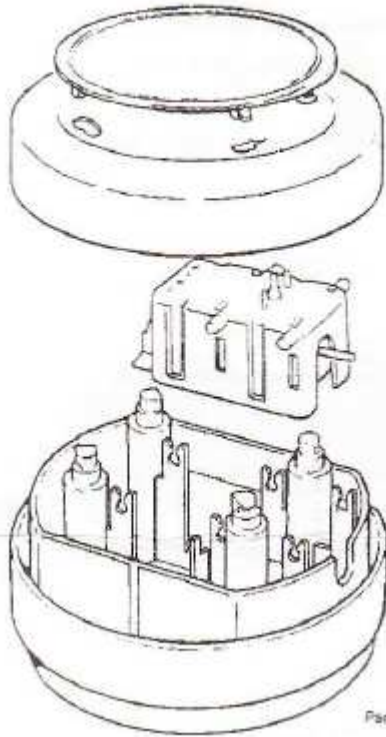


BundyPlus – Bell wiring and spec's for the G6-series clk.



COM and N/O relay connections for the Bell.

D.C. Electronic Bell



G6 BundyPlus Bell/Hooter		<small>Drawn by: G6</small> <small>Checked by: G6</small> <small>Approved by: G6</small> <small>Rev: 1.0</small>
midnight technologies pty ltd <small>1st Floor, 2 Queen Street, Melbourne Victoria 3001</small> <small>Ph: 03 9875 3200 Fax: 03 9875 3200</small> <small>www.midnighttechnologies.com.au</small>		
<small>Rev: A3</small>	<small>Number: 20070602-3</small>	<small>Revision: A</small>
<small>Draw: 01/06/11</small>	<small>Title: 224-W-PW</small>	<small>Sheet: 1 of 1</small>