

Berkey® Water Purifiers

"Simply the Best"

NEW MILLENNIUM CONCEPTS, LTD.

Introduction

Now that you have bought your **Berkey®** water purifier, you have taken the first step toward protecting you and your family from disease causing pathogens, parasites, harmful chemicals, heavy metals and other waterborne contaminants.

The ease of operation of this unit combined with a proven effectiveness at eliminating waterborne diseases such as cholera and typhoid, has led to this system being specified for field operations by many of the world's major aid and emergency relief organizations.

Contents:

- 1- Upper Chamber
- 1- Lower Chamber
- 1- Spigot, nut and two washers
- 1- Lid, knob and screw
- 2-8 Purification elements, wing nuts and washers (depending on model)
- 0-6 Blocking Plugs (depending on model)
- 1- Priming Button
- 1- Assembly instruction sheet

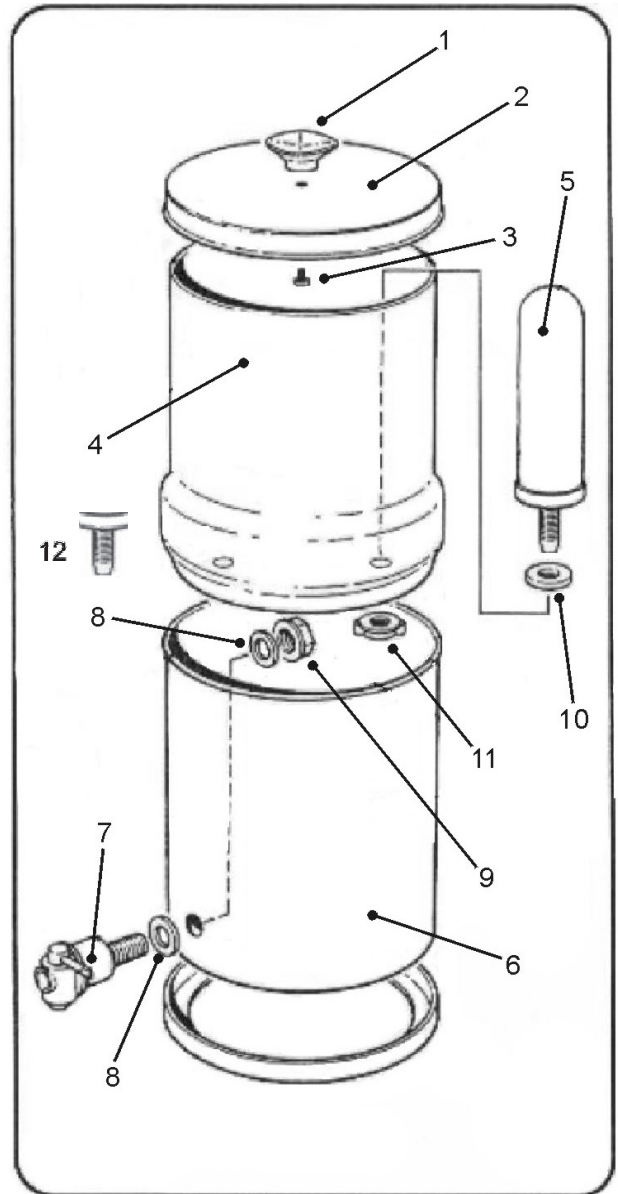
Assembly Instructions:

1. Extreme cleanliness is important. Wash hands and system before proceeding to assure that contamination of the components does not take place during assembly.
2. Remove the purification elements and parts from their protective packaging, checking each item against the above list.
Note: The number of elements supplied will depend on the type of unit ordered.
3. Fit the knob (1) onto the lid (2) by inserting the screw (3) up through the hole in the lid and screwing on the knob. Hand tighten only.
4. Prime **Black Berkey®** purification elements (*see reverse side of instruction sheet*).
4. Place the large sealing washer (10) over the threaded portion of the element (5).
5. Place the element (5) into the hole in the base of the upper chamber (4).
6. Secure element in the chamber base by screwing on the wing nut (11) onto the threaded mount. Repeat #4, 5 & 6 until all elements have been installed.
7. For systems having more element holes than purification elements, (Expandable systems) secure blocking plugs (12) into empty holes with one washer on the inside and one on the outside.
8. Place one rubber washer (8) onto the threaded portion of the outlet spigot (7).
9. Insert thread of spigot (7) through hole in the side of the lower chamber (6). Place the second small washer (8) over the thread within the chamber and secure in place with the nut (9). Tighten securely by hand only.
10. Place the upper chamber (4) onto the lower chamber (6) and place lid (2) in position.

Operation:

When lower chamber is partially filled, be cautious not to overfill upper chamber as this could cause lower chamber to overflow. For example, if the lower chamber is 1/3 full the upper chamber can be refilled by 2/3rds, if the lower chamber is 1/2 full, the upper chamber can be refilled by 1/2, etc.

Models: Travel Berkey® Big Berkey® - Royal Berkey® Imperial Berkey® Crown Berkey®



Notes:

- 1) If the system is left to stand for more than 3 days, it is recommended that any water left in the lower chamber be run to waste as well as the new water that is purified during the first 1 minute to also be run to waste.
- 2) When installing purification elements for the first time or replacing used elements, always prime and condition the new purification elements.
- 3) After cleaning elements, it is recommended that the elements be re-primed. This will back-flush any process dust from the pores of purification elements and prevent premature clogging.

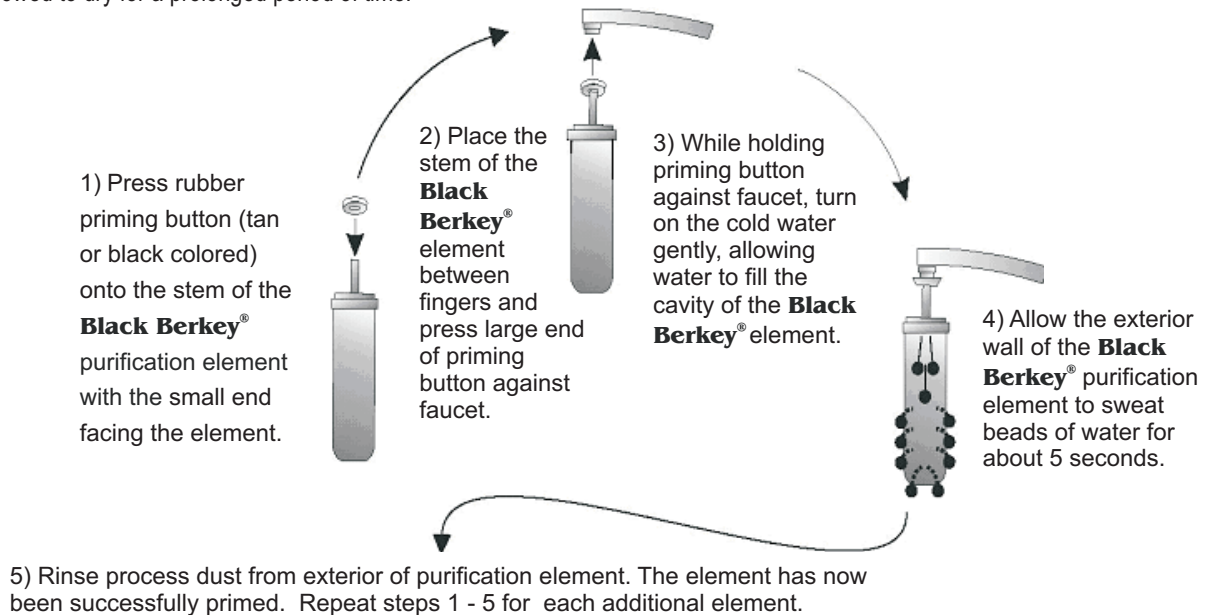
PRIMING THE **Black Berkey**® PURIFICATION ELEMENTS

The micro-pores within the **Black Berkey**® purification elements are extremely small, in fact they are small enough to filter food coloring from water. The benefit from having such extremely small pores is that an exponential increase is realized in the efficiency at removing pathogenic bacteria and other waterborne contaminants. Water tension may require that the purification elements be primed in order to flow properly.

Water tension is higher in certain parts of the country and can change from season to season. The higher the water tension, the more difficult it is for the water, using gravity pressure alone, to force the air from the micro-pores of a new element. Priming your purification elements forces the air from the micro pores of the element.

Notes when traveling: *When using the system in an area where treated water is not available, we recommend that the user bring along a bottle of clean water or a **Sport Berkey**® purification bottle to prime the purification elements. Using bottled water, have one person hold the element, with the priming button attached and facing upward. Have a second person press the mouth of the bottled water against the priming button and squeeze until water is forced through the entire exterior wall of the element and it begins to sweat beads of water. Alternatively, a **Sport Berkey**® purification bottle can be used to prime the elements by inserting the straw into the hole in the priming button and then squeezing until water is forced through the entire exterior wall of the element and it begins to sweat beads of water.*

Do not discard priming button after purification elements have been primed. Re-prime elements after cleaning (see maintenance instructions below) and when elements have been allowed to dry for a prolonged period of time.



MAINTENANCE

Wash lower chamber once per month with soapy dishwater. In areas with hard water, calcium scale may build up on spigot and chambers after prolonged use. To remove, soak affected part(s) in vinegar or a 50-50% mix of vinegar and water for about 15 minutes. Then clean with soapy dishwater. After prolonged use the flow rate may decrease significantly. To speed up flow rate, scrub exterior of each purification element with a stiff brush or ScotchBrite® pad and re-prime elements.

Black Berkey® purification elements are self-sterilizing, do not boil. Never wash purification elements with cleaning detergents or soap. Not intended for use with saltwater. While this system can efficiently purify raw untreated pond, lake and river water, always use the cleanest, clearest water whenever possible. As an additional precaution, if using a source of water that might contain extreme viral and bacteriological contamination, it is recommended that sixteen drops of plain bleach or iodine per gallon be added to treat the source water before purifying. This will kill minute pathogens such as viruses. The disinfectant will then be removed from the treated water removing its odor and taste entirely. When water purifier is not used regularly, remove purification elements from system and allow to air dry. Store purification elements dry. Until first activated, purification elements can be stored indefinitely. Do not allow wet purification elements to freeze. Do not place purification elements in dishwasher or microwave oven.

SYSTEM TEST: Your **Black Berkey**® purification elements are powerful enough to remove food coloring from water; this feature allows you to make sure your system is operating properly. Simply fill the upper chamber with water and add a tablespoon of food coloring per gallon capacity of your system. If the food coloring is removed entirely, your purification system is working properly. If not, check to make sure that the wing nuts on your elements are securely tightened then re-run the test. We recommend this test be done upon first use then at six-month intervals.

GENERAL WARRANTY INFORMATION

New Millennium Concepts, Ltd. warrants this product to be free from defects in materials and workmanship for a period of 6 months from date of purchase. **Black Berkey**® purification elements have a two-year prorated warranty calculated in six months intervals. New Millennium Concepts, Ltd. will replace or repair any product that it deems is not properly functioning during the stated warranty period. Relief under this warranty is limited to the replacement or repair of defective materials or workmanship only. New Millennium Concepts, Ltd. shall not be held liable for incidental or consequential damage to personal property from, but not limited to, a defective unit, improper use, abuse, accident, or neglect, etc. No warranty will apply to units which have been used for purposes not intended, which have been altered so as, in the manufacturer's judgment, to affect adversely its performance. This warranty is for the original retail purchaser only, and cannot be transferred. Repair or replacement of parts will be made upon delivery to manufacturer's plant or authorized service dealer at customer's expense. The laws of the State of Texas, USA, will govern any disputes regarding this warranty or claim made. This warranty which is given expressly in lieu of all warranties, expressed or implied, or merchantability and fitness for a particular purpose, constitutes the only warranty made by New Millennium Concepts, Ltd.

