

Installation

The surface on which the appliance is to be placed must be level. Do not use a frame or similar.

The appliance can be installed as a free-standing unit against a wall, built into a closet or lined up with other appliances.

It is important that the appliance be well ventilated and that air can circulate unhindered above, below and around it.

The figures below illustrate how the necessary air circulation around the appliance can be ensured (figs 3).

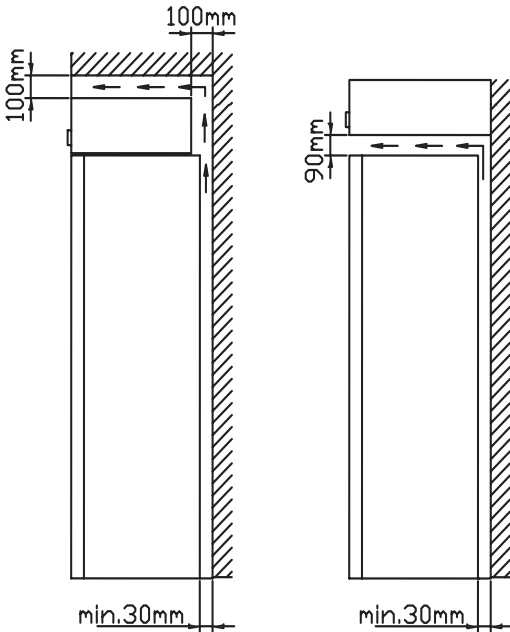


fig. 3

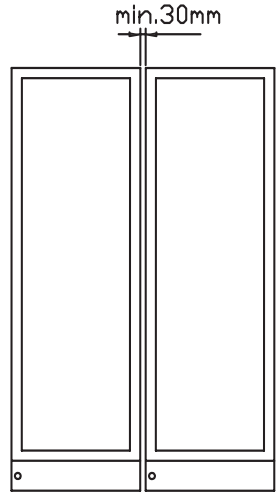


fig. 4

(fig 4) A "Side by Side" kit can be ordered

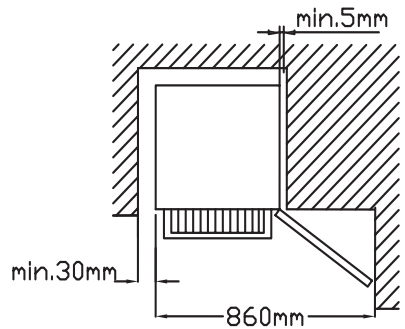


fig. 5