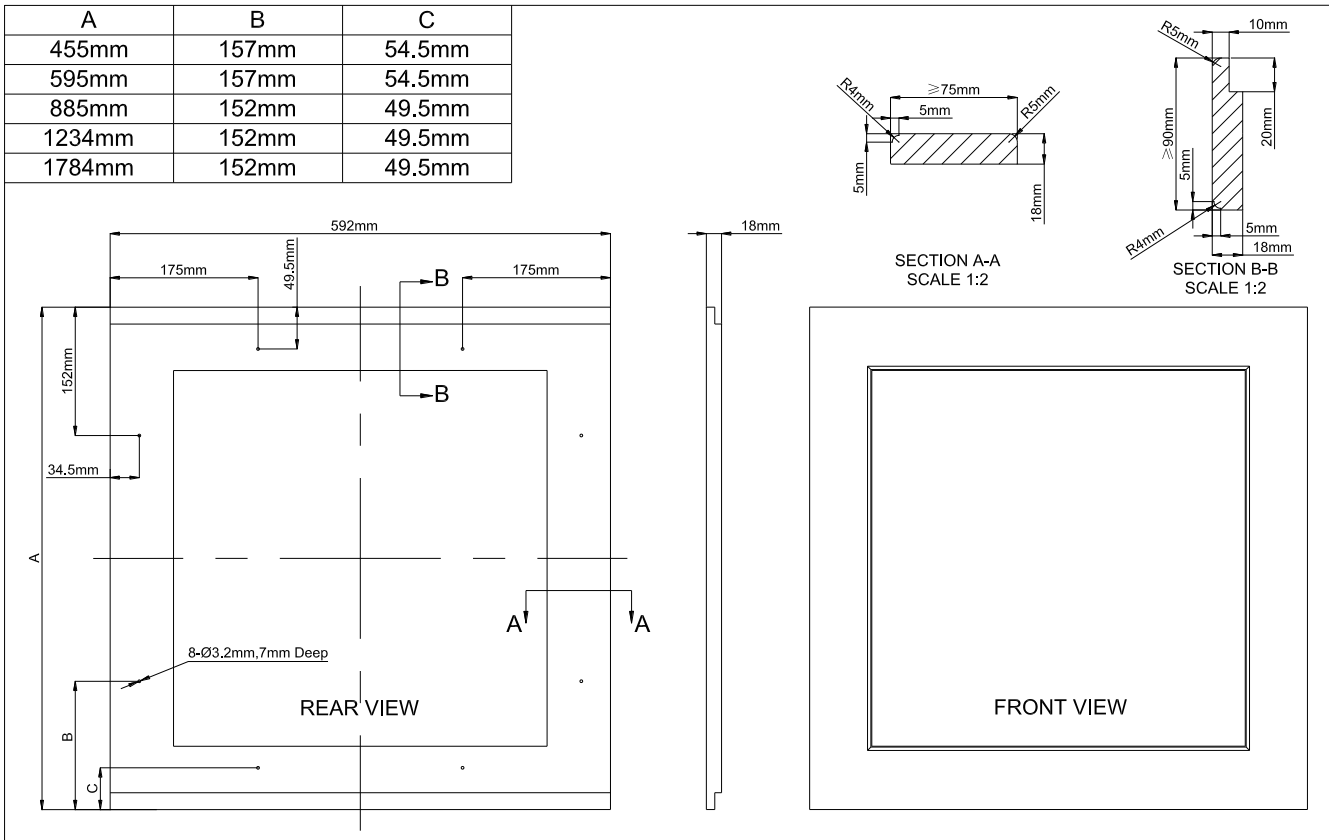


# Glass Overlay Door Guide

## Door Panel Preparation

Depending on the wine cellar model prepare the overlay panel to the dimensions shown below. Then attach the handle to the overlay panel by using the flat head screws and drive the screws flush with the panel.



### NOTE:

1. Weight of the overlay panel should not exceed 10 kilograms.
2. It is important to ensure that all drilled holes are drilled to the correct depth in order to avoid splits in the wood when hardware is installed.
3. Drill the handle installation holes in the overlay panel according to the handle you are planning to use. If reusing the handles came with the unit, drill two holes with holes distance 490mm and diameter 5mm in the overlay panel.

## Door Panel Installation

- Remove the door gasket (4) completely from glass door (2). Start in a corner and pull outward. This may take some force. Set gasket down on a flat surface for later installation.
- Attach the wood overlay panel (1) on the glass door (2) by using the eight wood screws ST4x36 Type AB Philips (3).
- Install the wood overlay glass door on the unit as normal.

