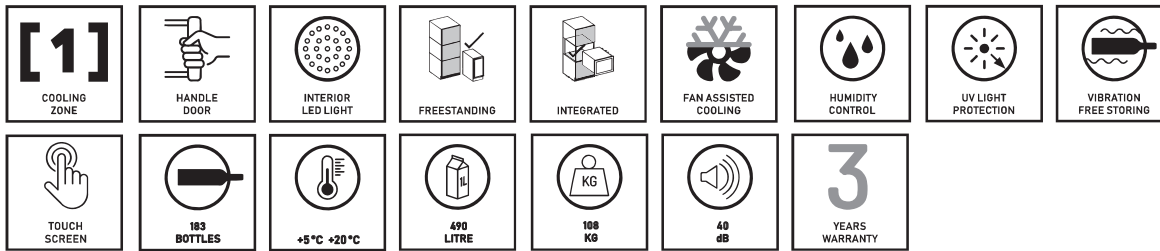


DUNAVOX Grande-194

DX-194.490BK EAN: 5999558431945

DX-194.490SSK EAN: 5999558431952



Door frame	Full glass black door / Stainless steel frame
Door reversible	Yes
Glass	Double glazed
Bottle capacity	183 bordeaux bottles
Bottle types	Bordeaux, Rhone, Champagne
Temperature zones	1
Door opening	With handle
Lock	Yes
Door opening sensor	No
Height	1835 mm
Width	655 mm
Depth	680 mm
Internal height	1630 mm
Internal width	570 mm
Internal depth	15x530 mm/395 mm
Packing height	1880 mm
Packing width	700 mm
Packing depth	745 mm
Installation	Integrated and freestanding
Ventilation design	Front Plinth Ventilation*
Display type	LED
Display colour	Blue
Interior light	LED lighting
Interior light colour	Blue
Shelves	15x wooden shelves
Shelf height	160 mm/14x95 mm
Internal air circulation	Yes, fan assisted
Upper temperature range	-
Middle temperature range	5-20 °C
Lower temperature range	-
Temperature memory function	Yes, in case of power failure
Defrosting	Manual
Carbon filter	Yes
Grille	Yes
Total volume	496 L
Cabinet material	Metal
Cabinet colour	Black
Optimal usage	Domestic or commercial
Vibration free-storing	Yes
Internal humidity	50-80%
Warranty	3 years
Compressor warranty	5 years

Energy class	G
Annual energy consumption	179 kWh/annum
Daily energy consumption	0,490 kWh/daily
Power	220-240V AC 50Hz
Rated current	1.1 A
Cable length	2 m
Noise level	40 dB
Climate class	ST, N
Cooling method	Compressor
Refrigerant type	R600a
Refrigerant amount	51 g
Handle	Black
Net weight	106 Kg
Gross weight	121 Kg

DX-194.490BK

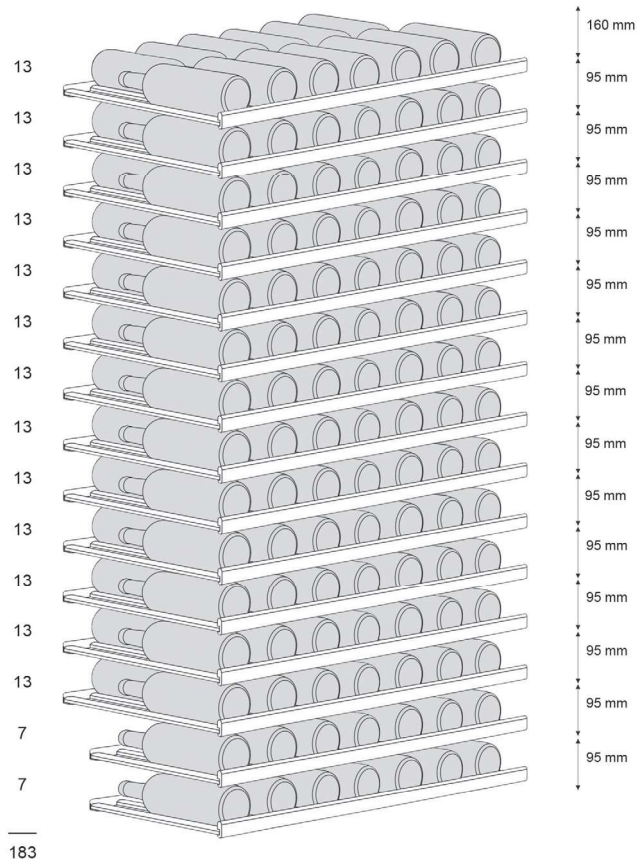


DX-194.490SSK

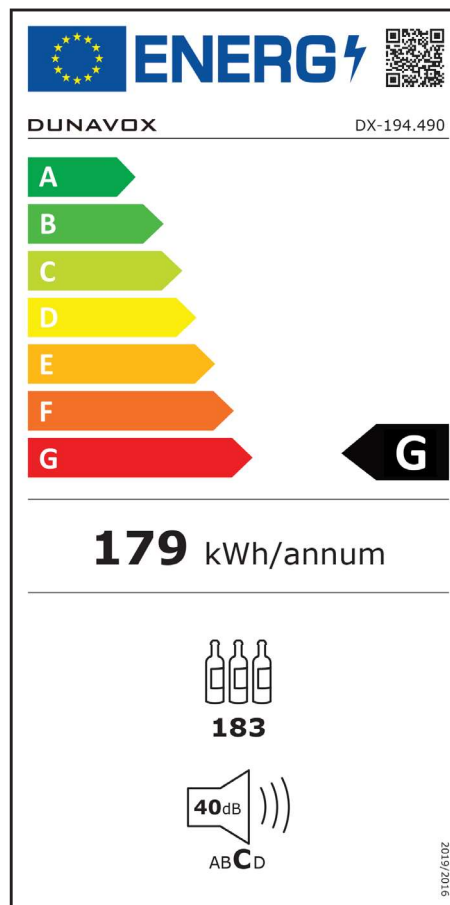


* The grill must be free, because the air exchanges through here. The warm air from the compressor escapes, and the fresh air going in as well.

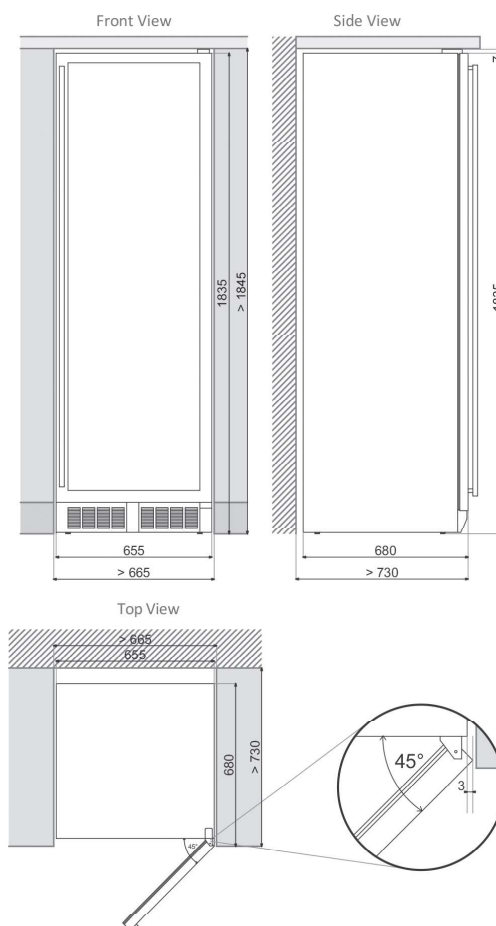
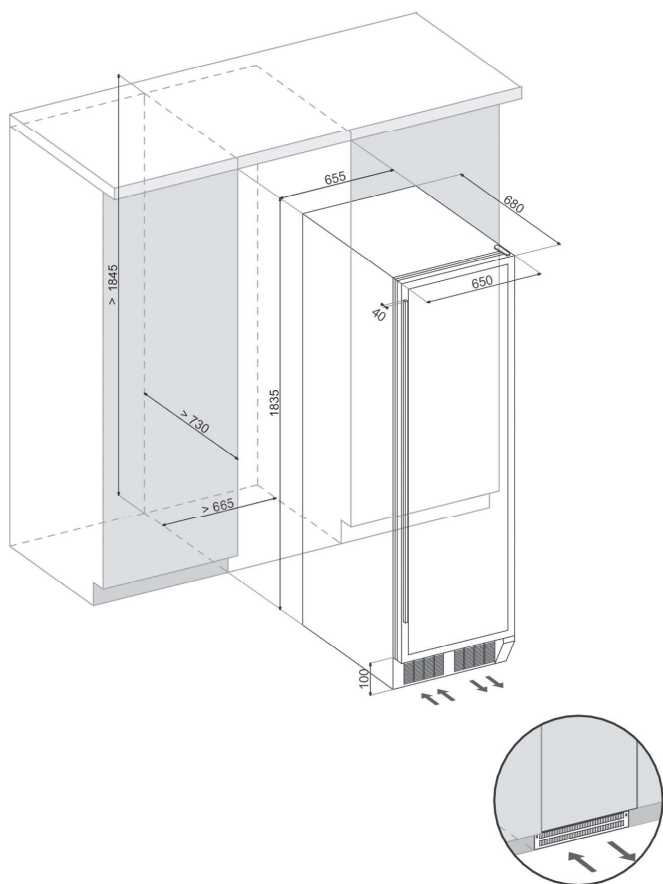
Bottle loading



Energy label



Installation drawing



Dunavox reserves the right to change specification without prior notice.