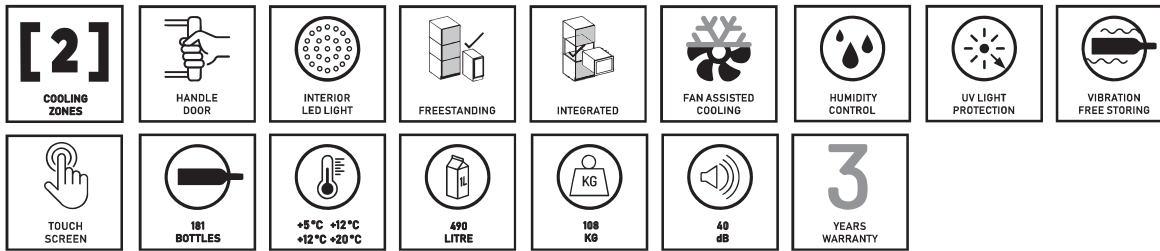


DUNAVOX Grande-181

DX-181.490DBK EAN: 5999558431631

DX-181.490SDSK EAN: 5999558431969



Door frame	Full glass black door / Stainless steel frame
Door reversible	Yes
Glass	Double glazed
Bottle capacity	181 bordeaux bottles
Bottle types	Bordeaux, Rhone, Champagne
Temperature zones	2
Door opening	With handle
Lock	Yes
Door opening sensor	No
Height	1835 mm
Width	655 mm
Depth	680 mm
Internal height	1640 mm
Internal width	570 mm
Internal depth	Upper:7x530 mm Lower: 7x530/395 mm
Packing height	1970 mm
Packing width	700 mm
Packing depth	760 mm
Installation	Integrated freestanding
Ventilation design	Front Plinth Ventilation*
Display type	LED
Display colour	Blue
Interior light	LED lighting
Interior light colour	Blue
Shelves	14x wooden shelves
Shelf height	160 mm/5x90 mm/100 mm/7x90 mm
Internal air circulation	Yes, fan assisted
Upper temperature range	5-12 °C**
Middle temperature range	-
Lower temperature range	12-20 °C
Temperature memory function	Yes, in case of power failure
Defrosting	Manual
Carbon filter	Yes
Grille	Yes
Total volume	490 L
Cabinet material	Metal
Cabinet colour	Black
Optimal usage	Domestic or commercial
Vibration free-storing	Yes
Internal humidity	50-80%
Warranty	3 years
Compressor warranty	5 years

Energy class	G
Annual energy consumption	197 kWh/annum
Daily energy consumption	0,539 kWh/daily
Power	220-240V AC 50Hz
Rated current	1.1 A
Cable length	2 m
Noise level	40 dB
Climate class	ST, N
Cooling method	Compressor
Refrigerant type	R600a
Refrigerant amount	51 g
Handle	Black
Net weight	108 Kg
Gross weight	121 Kg

DX-181.490DBK



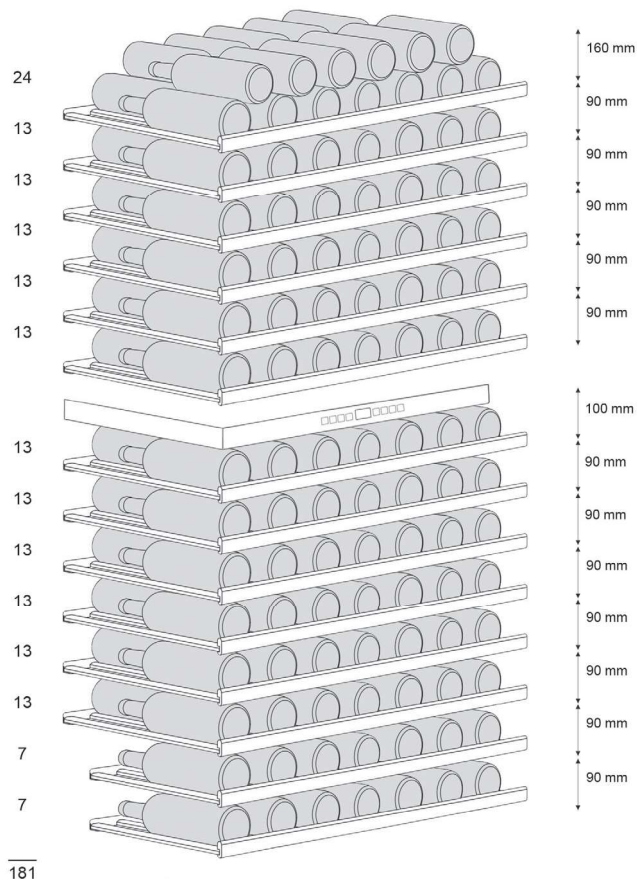
DX-181.490SDSK



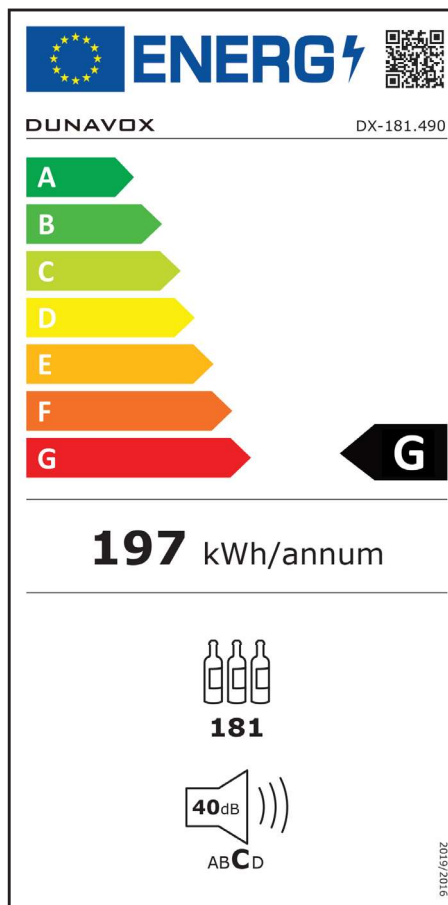
* The grill must be free, because the air exchanges through here. The warm air from the compressor escapes, and the fresh air going in as well.

** The top zone must be cooler than the lower zone.

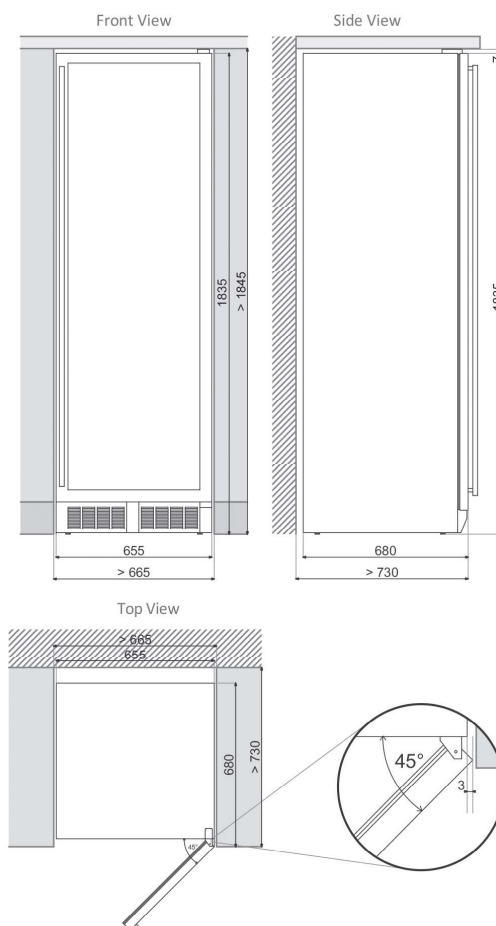
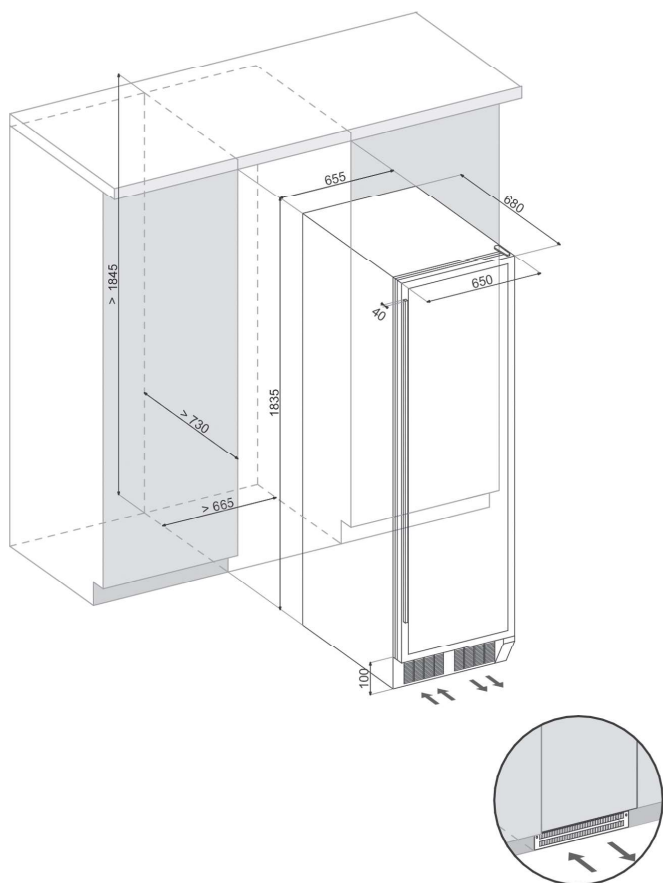
Bottle loading



Energy label



Installation drawing



Dunavox reserves the right to change specification without prior notice.