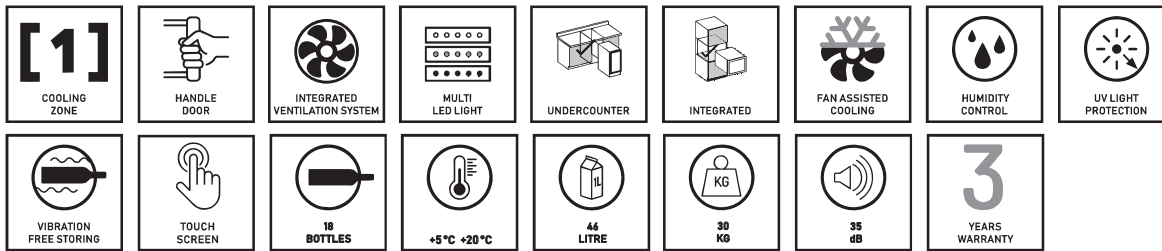


DUNAVOX Soul-18

DAVS-18.46B EAN: 5999558434564
DAVS-18.46SS EAN: 5999558434571



Door frame	Full glass black door / Stainless steel frame
Door reversible	Yes
Glass	Triple glazed
Bottle capacity	18 Bordeaux bottles
Bottle types	Bordeaux
Temperature zones	1
Door opening	With handle
Lock	No
Door opening sensor	Yes
Height	455 mm
Width	590 mm
Depth	550 mm
Internal height	340 mm
Internal width	475 mm
Internal depth	320 mm/2x300 mm
Packing height	550 mm
Packing width	660 mm
Packing depth	660 mm
Installation	Integrated and undercounter
Ventilation design	Integrated ventilation
Display type	LED
Display colour	White
Interior light	LED lighting
Interior light colour	White, amber and blue
Shelves	2 x Wooden shelves
Shelf height	120 mm/90 mm/100 mm
Internal air circulation	Yes, fan assisted
Upper temperature range	-
Middle temperature range	5-20 °C
Lower temperature range	-
Temperature memory function	Yes
Defrosting	Manual
Carbon filter	No
Grille	No
Total volume	46 L
Cabinet material	Metal
Cabinet colour	Black
Optimal usage	Domestic
Vibration free-storing	Yes
Internal humidity	50-80%
Warranty	3 years
Compressor warranty	5 years

Energy class	G
Annual energy consumption	127 kWh/annum
Daily energy consumption	0,347 kW/ daily
Power	220-240V AC 50Hz
Rated current	0,6 A
Cable length	2 m
Noise level	35 dB
Climate class	SN
Cooling method	Compressor
Refrigerant type	R600a
Refrigerant amount	22 g
Handle*	-
Net weight	30 Kg
Gross weight	35 Kg

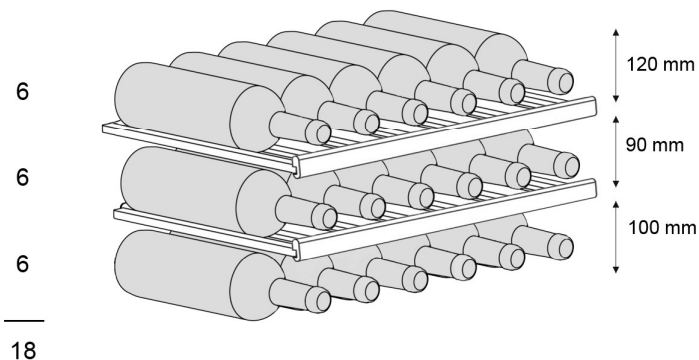
DAVS-18.46B



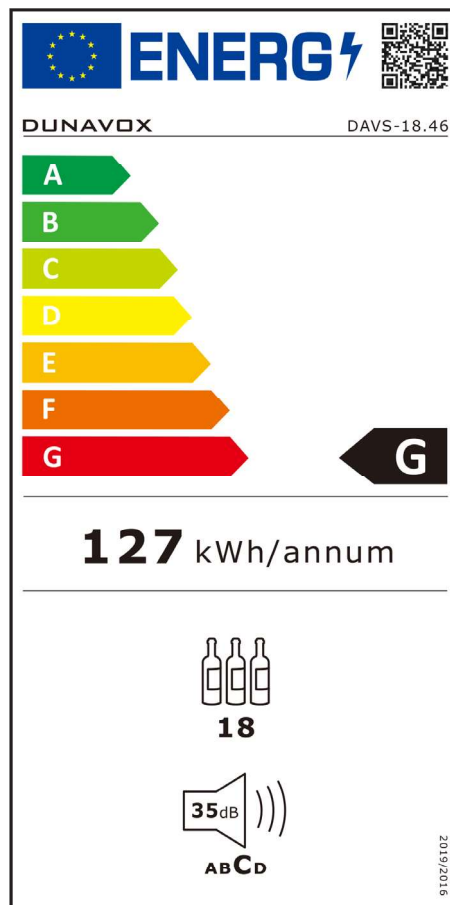
DAVS-18.46SS



Bottle loading



Energy label



Installation drawing

