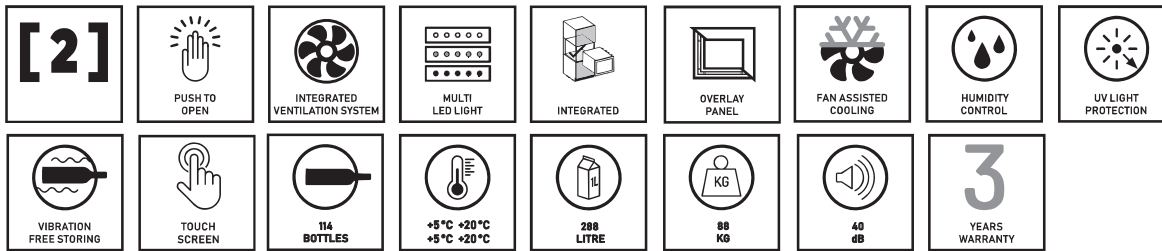


DUNAVOX Glance-114

DAVG-114.288DOP.TO EAN: 5999558434467



Door frame	Full glass black door / Stainless steel frame
Door reversible	Yes
Glass	Triple glazed
Bottle capacity	114 bordeaux bottles
Bottle types	Bordeaux, Rhone
Temperature zones	2
Door opening	Push to open
Lock	No
Door opening sensor	Yes
Height	1771 mm
Width	545 mm
Depth	555 mm
Internal height	1630 mm
Internal width	470 mm
Internal depth	Upper:4x400 mm/350 mm Lower:9x400 mm/300 mm
Packing height	1990 mm
Packing width	660 mm
Packing depth	660 mm
Installation	Integrated
Ventilation design	Integrated ventilation
Display type	LED
Display colour	White
Interior light	LED lighting
Interior light colour	White, amber and blue
Shelves	15x wooden shelves
Shelf height	14x85 mm/210 mm
Internal air circulation	Yes, fan assisted
Upper temperature range	5-20 °C**
Middle temperature range	-
Lower temperature range	5-20 °C
Temperature memory function	Yes
Defrosting	Manual
Carbon filter	Yes
Grille	No
Total volume	288 L
Cabinet material	Metal
Cabinet colour	Black
Optimal usage	Domestic
Vibration free-storing	Yes
Internal humidity	50-80%
Warranty	3 years
Compressor warranty	5 years

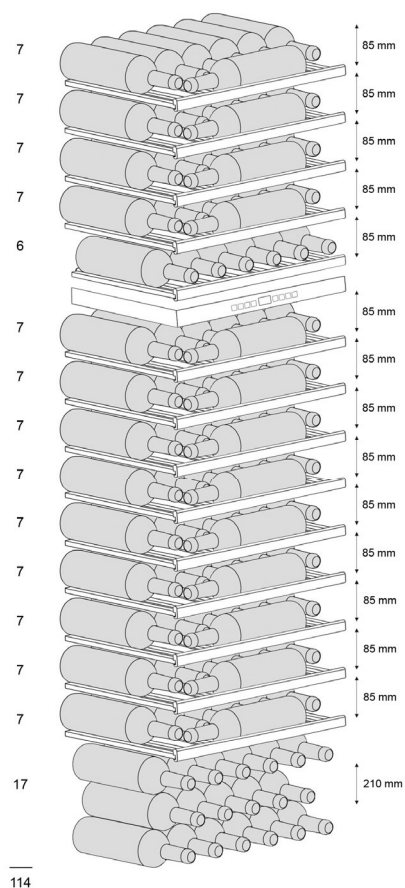
Energy class	G
Annual energy consumption	184 kW/annum
Daily energy consumption	0,504 kW / daily
Power	220-240V AC 50Hz
Rated current	1.4 A
Cable length	2 m
Noise level	40 dB
Climate class	ST
Cooling method	Compressor
Refrigerant type	R600a
Refrigerant amount	50g
Handle*	-
Net weight	88 kg
Gross weight	103 kg

DAVG-114.288DOP.TO

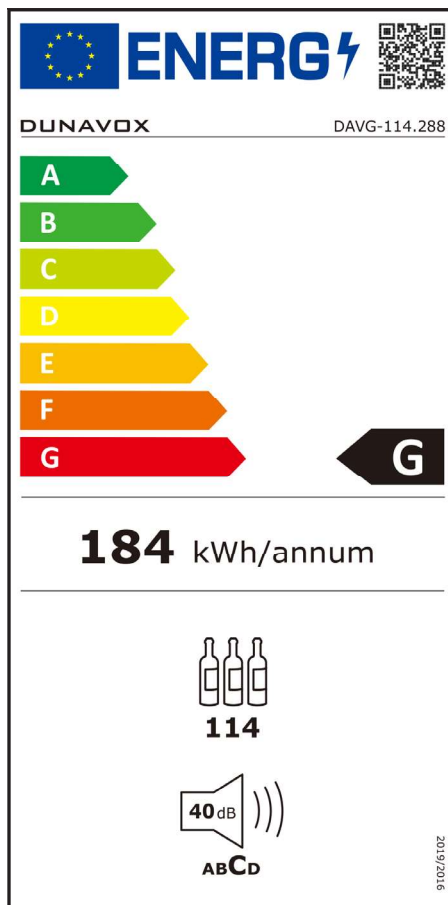


** The top zone must be cooler than the lower zone, recommended temperature difference is 4°C.

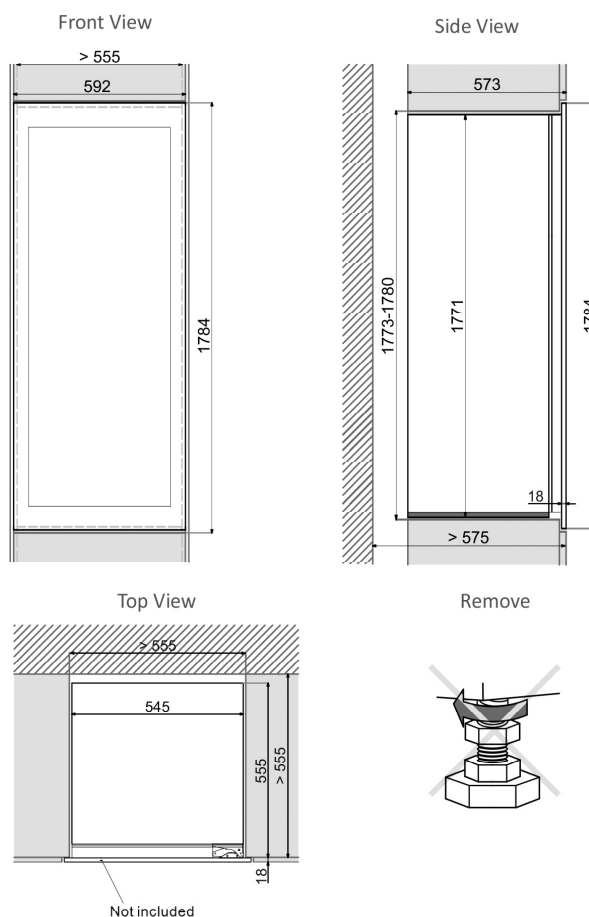
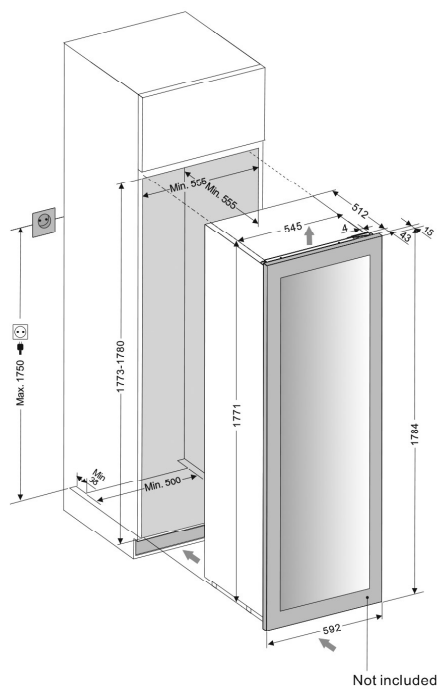
Bottle loading



Energy label



Installation drawing



Dunavox reserves the right to change specification without prior notice.