

# QUICK GUIDE

v1.0

## DRUMFILTER ECO20



**Index**

**1 BASIC REQUIREMENTS.....3**  
1.1 Control unit.....4

**2 A. GRAVITY-SYSTEM .....6**  
2.1 Placing the filter system .....6  
2.2 Set level control:.....8

**3 B. PUMP FED SYSTEM.....9**  
3.1 Placing filter system .....9  
3.2 Set level control:..... 10

## 1 Basic requirements

Basic requirements every filter system must meet:

- The filter system should be placed on a ground surface with sufficient carrying capacity, for instance:
  - a well-vibrated sand bed of 10 cm, possibly with concrete tiles
  - a concrete floor

In the event of subsidence, the filter may not function properly!

- The filter system should be placed fully level.
- Leave sufficient space around the filter, to perform cleaning and maintenance work.
- The filter control should be in a dry area, preferably indoors.
- The drive motor must be protected against weather influences.

The filter system can be used as gravity-system or pump fed system.



**IMPORTANT!**

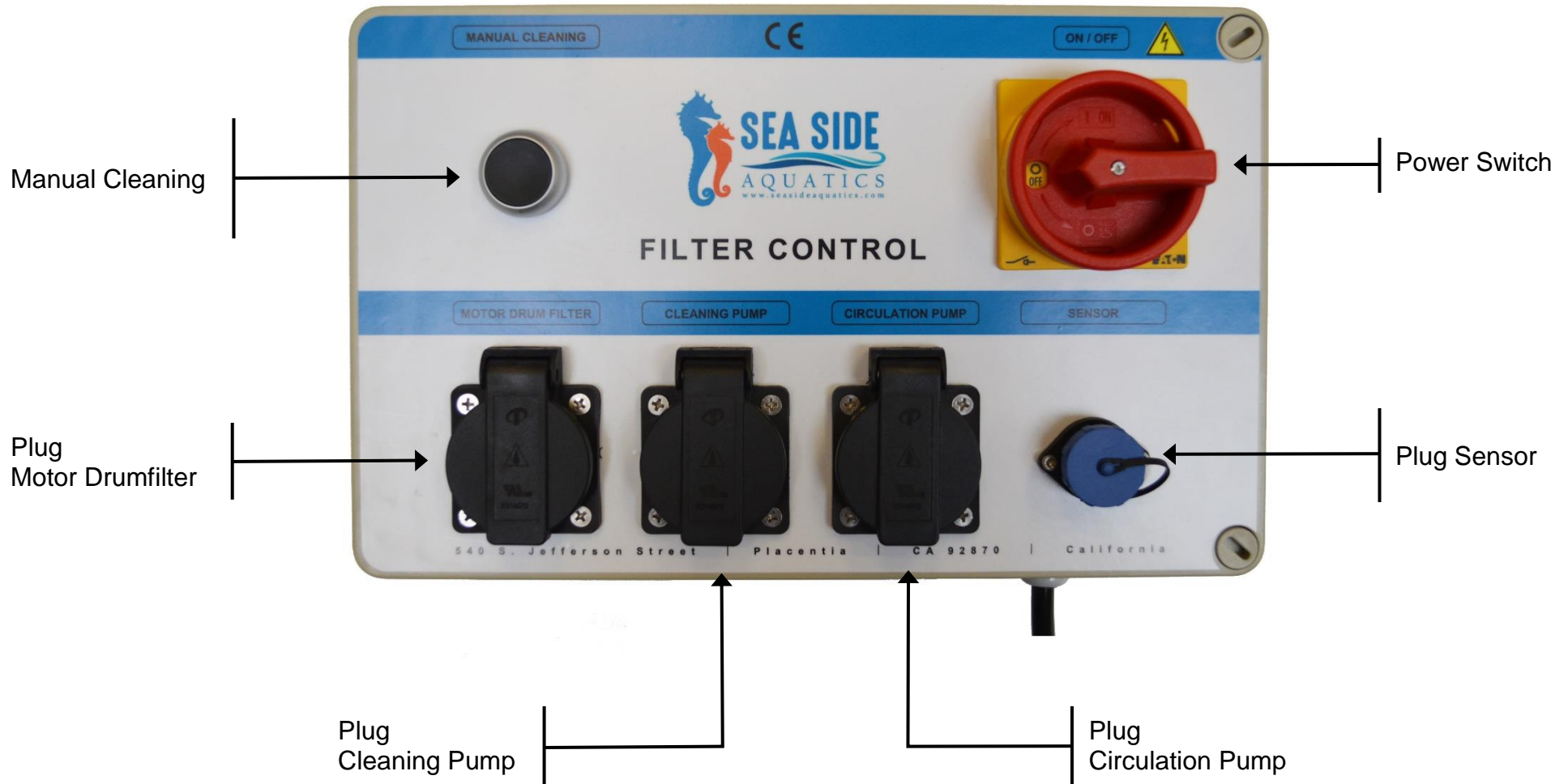
*The correct placement and constant water level in the pond are important conditions for optimal and problem-free operation of the filter system.*



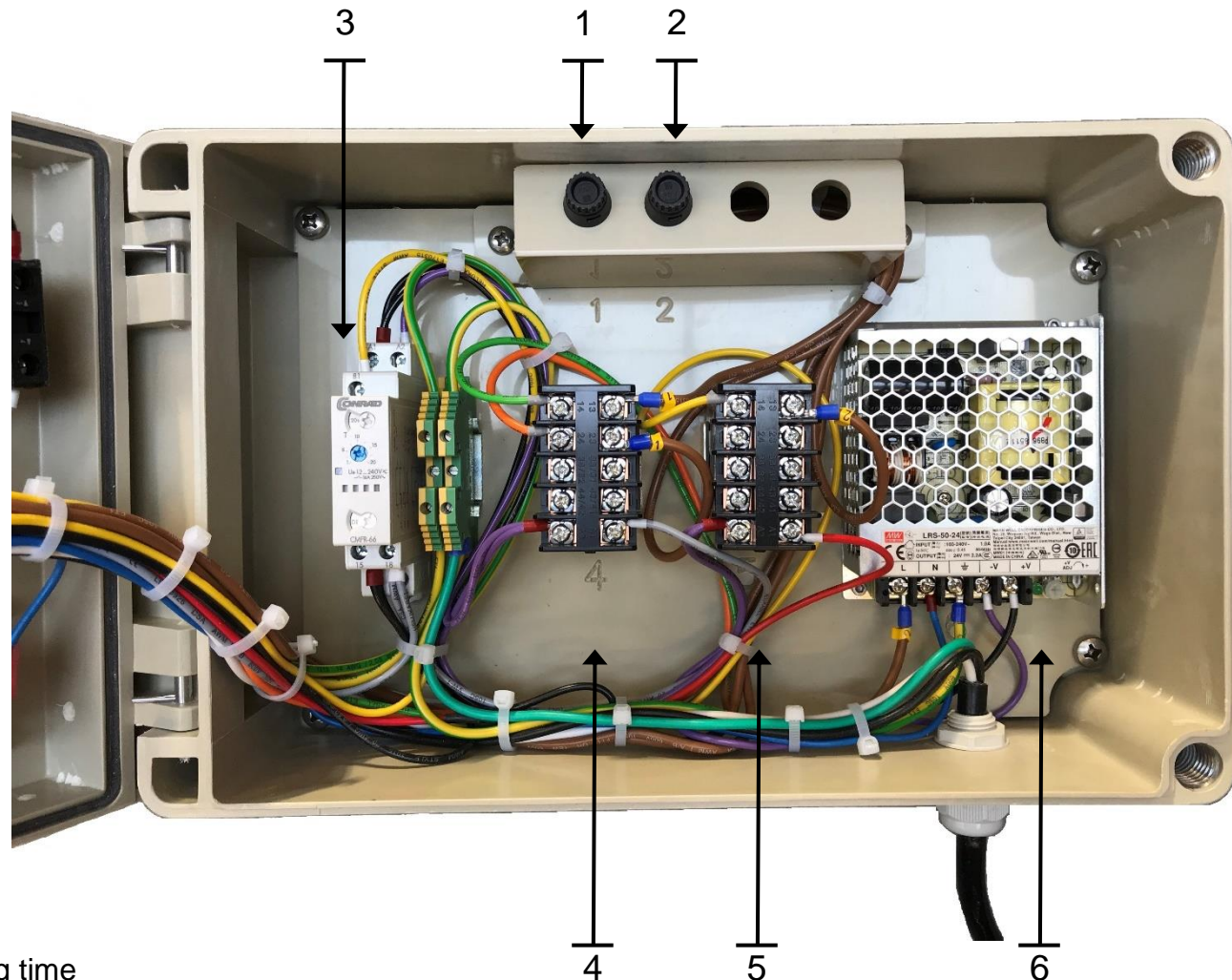
**IMPORTANT!**

*The use of salt in the pond can cause stainless steel components of the filter to oxidize.*

1.1 Control unit



1. Fuse (motor drumfilter)  
(cleaning pump)
2. Fuse (pond pump)  
(power supply)
3. Timer
4. Relay 1  
- Cleaning pump  
- motor drumfilter
5. Relay 2  
- Pond pump
6. Power supply



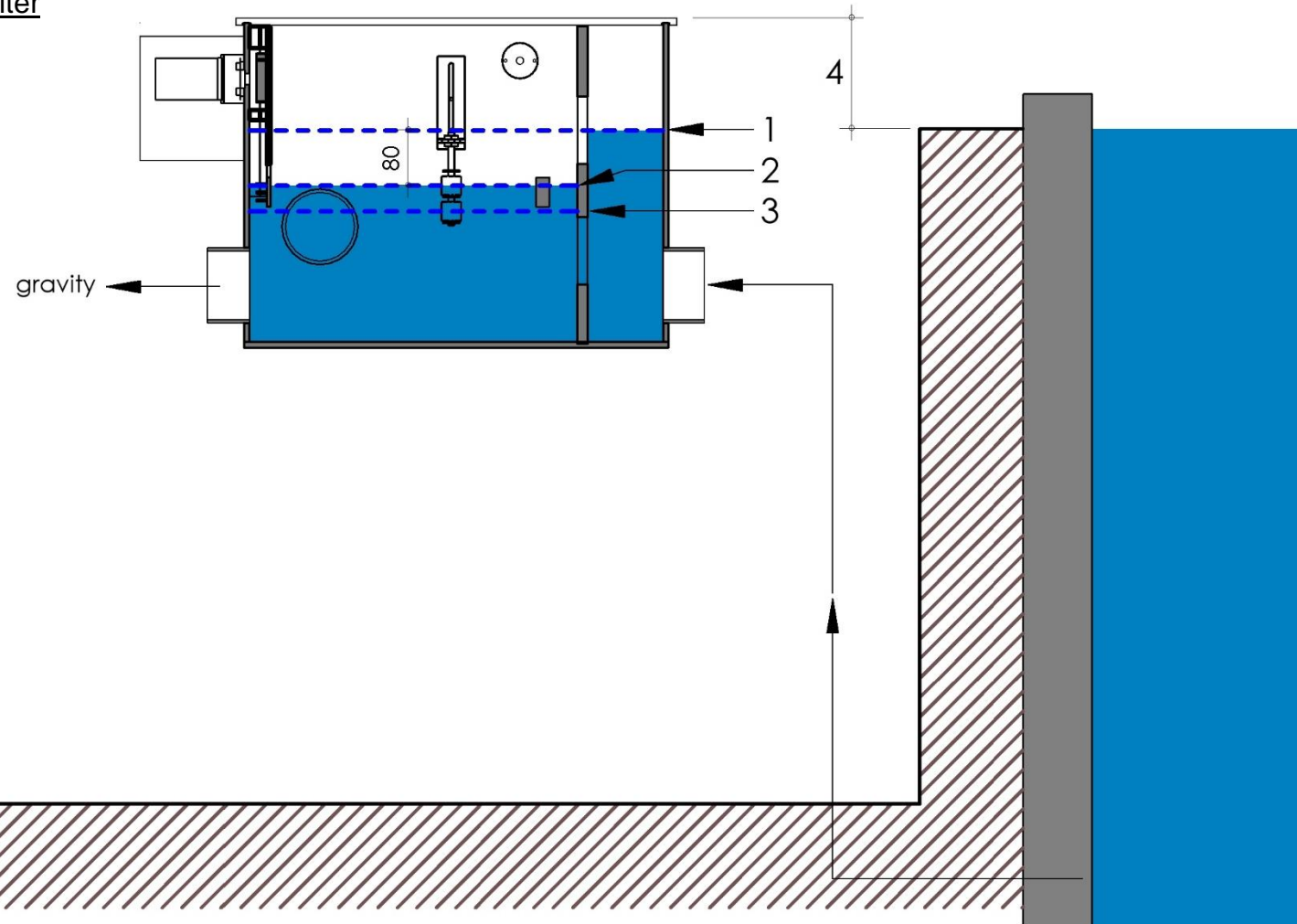
← Adjust cleaning time

## 2 A. Gravity-system

### 2.1 *Placing the filter system*

- Determine the maximum water level of the pond.
- Align the base plate horizontally (the filter should be placed fully level).
- The filter should be placed the height of the installation height (fig. 2.1) above water level. (installation height is the distance from maximum water level to top of filter).

Type filter	Installation height [cm]
ECO20	16

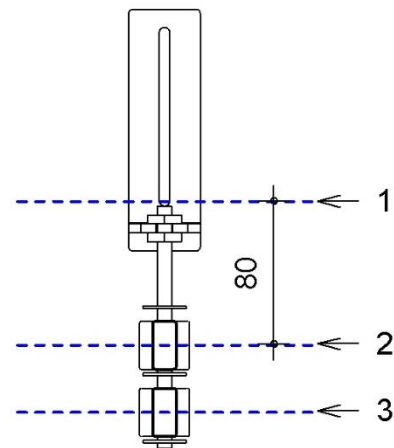
Schematic setup of the drum filter

Pic. 2.1

1. Water level with running pump after rinse (8 cm above upper float switch)
2. Start rinsing
3. Pond pump switches off
4. Installation height ECO20 is 16 cm

## 2.2 Set level control:

- For the operation of the gravity system a constant water level in the pond is necessary. A tolerance of up to 20 mm below maximum water level is allowed.
- Should the maximum water level in the pond exceed this, the water excess water will be disposed of via the waste water drain, until the maximum water level has been reached



Pic. 2.2 Float switch

1. Water level with running pump after rinse (8 cm above upper float switch)
2. Start rinsing
3. Pondpump switches off

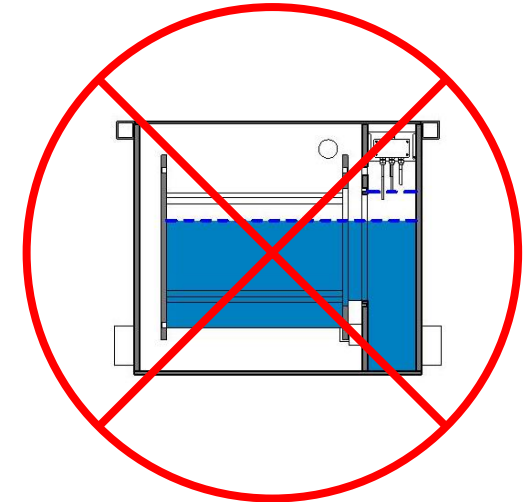
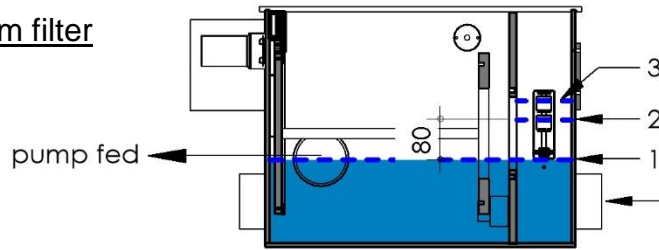


### 3 B. Pump fed system

#### 3.1 Placing filter system

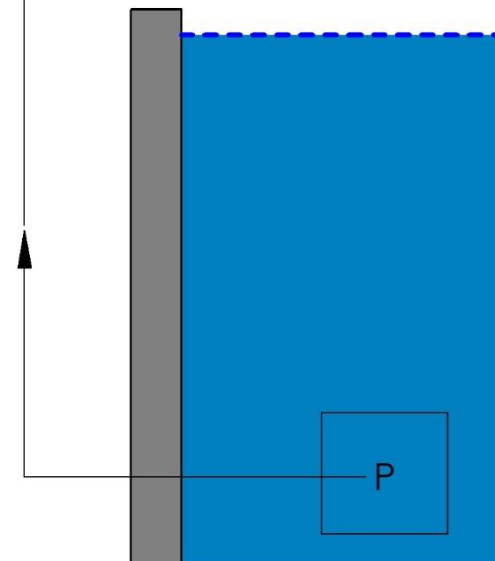
- Determine the maximum water level of the pond
- Align the base plate horizontally (the filter should be completely level).
- The installation height is 30 cm  
(installation height is the distance from maximum water level to the top of the filter)

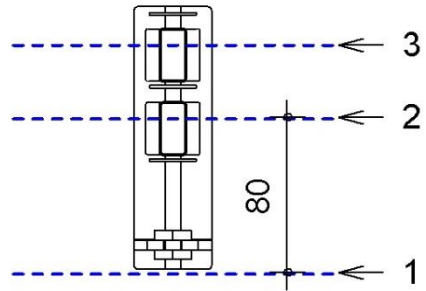
Schematic setup of the drum filter



Pic. 3.1

1. Water level with running pump after rinse
2. Start rinsing
3. Pond pump switches off



**3.2 Set level control:**

Pic. 3.2 Float switch

1. Water level with running pump after rinse
2. Start rinsing
3. Pond pump switches off