



Performance Pro
*Only Gravity Is
More Reliable*
Pumps

2016
PRODUCT CATALOG



At PerformancePro Pumps we pride ourselves on manufacturing the highest quality water pumps on the market. Our product lines offer a wide range of pump sizes for a broad variety of applications. Our external pump lines are manufactured in the USA to the highest quality standards. We offer expert advice and superior customer service for all of your water pump needs.

CONTENTS

ARTESIAN 2	PAGE 1
ARTESIAN 2 2 SPEED	9
ARTESIAN 2 DIAL A FLOW (VARIABLE SPEED)	12
ARTESIAN 2 PARTS	15
ARTESIANPRO	17
ARTESIANPRO DIAL A FLOW (VARIABLE SPEED)	24
ARTESIANPRO PARTS	27
CASCADE	29
CASCADE PARTS	35
WELLSPRING	37
PARTS AND FITTINGS	43
ARTESIAN CLASSIC PARTS	49
PROTECT	51
FRICITION LOSS CHART	52

Only Gravity Is More Reliable!



PerformancePro

Pumps

For performance that's
OFF THE CHART
of ordinary pumps!



PerformancePro has taken a proven winner, incorporated some great upgrades, and introduced the Artesian2 pump line. These units produce great flow rates at minimal amp draws. Their excellent self-priming abilities allow for flexible placement. The built-in unions and large strainer basket make installation and service quick and easy.

Lower cost, better flow, less upkeep—all in a great looking package. Just what you asked for.

Only gravity is more reliable!

PerformancePro

Artesian

2

Made with care in the U.S.A.

Performance Pro Pumps

Simply the best combination
of performance, reliability,
and energy savings!

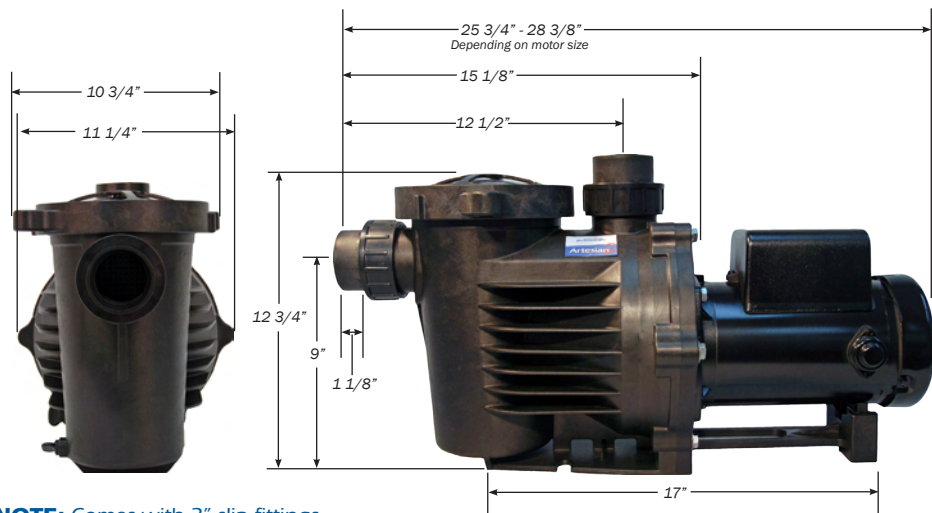
Features & Benefits

- ▶ Money saving high efficiency pump and motor units.
- ▶ Wide range of performance conditions can be matched.
- ▶ Self-priming design allows for suction lift placement.
- ▶ Long life corrosion resistant Stainless Steel shaft seals.
- ▶ Two inch unions and tailpieces are included for easy installation.
- ▶ Ready for hard wiring or can choose factory attached power cords.
- ▶ Top-of-the-line U.S. motors. All 1725 rpm units are totally enclosed for excellent protection and reliability.
- ▶ Both pump and motor are designed for quiet operation.
- ▶ Salt water kit available.

Artesian²

The **Artesian²** pumps are molded of tough glass reinforced polypropylene. They are extremely strong and built for long term service. Their good self-priming characteristics allow them to be positioned above the supply source. The carefully designed internal water passages provide for high flow rates with minimal water noise. An easy open Lexan lid provides easy viewing and access to the oversized strainer basket. They are available in 1/8 to 1/2 hp at 1725 rpm and 1/2 to 3 hp at 3450 rpm.

PerformancePro Pumps are easy to install, inexpensive to operate, and a joy to own.



NOTE: Comes with 2" slip fittings

	MODEL	HP	TYPE	RPM	VOLTAGE	HZ.	MAX WATTS*	WATTS @ MAX HEAD*	WATTS @ MAX FLOW*
Low RPM	A2-1/8-39	1/8	10 TEFC	1725	115/230	50/60	202	112 @ 17 ft.	165 @ 3900 GPH @ 3'
	A2-1/4-47	1/4	10 TEFC	1725	115/230	50/60	290	170 @ 22 ft.	250 @ 4680 GPH @ 4'
	A2-1/4-58	1/4	10 TEFC	1725	115/230	50/60	360	180 @ 23 ft.	320 @ 5760 GPH @ 5'
	A2-1/3-63	1/3	10 TEFC	1725	115/230	50/60	450	200 @ 26 ft.	440 @ 6300 GPH @ 6'
	A2-1/2-76	1/2	10 TEFC	1725	115/230	50/60	630	260 @ 26 ft.	630 @ 7560 GPH @ 8'

	MODEL	HP	TYPE	RPM	VOLTAGE	HZ.	MAX WATTS/AMPS*	AMPS (at 230 volt) @ MAX HEAD*	AMPS (at 230 volt) @ MAX FLOW*
High Flow	A2-3/4-HF	3/4	10 ODP	3450	115/208-230	60	1270/5.6	2.7 @ 55 ft.	4.8 @ 8880 GPH @ 11'
	A2-1-HF	1	10 ODP	3450	115/208-230	60	1640/7.3	3.5 @ 65 ft.	6.4 @ 9840 GPH @ 13'
	A2-1 1/2-HF	1 1/2	10 ODP	3450	115/208-230	60	1940/9.0	5.9 @ 54 ft.	8.4 @ 11,400 GPH @ 17'
	A2-2-HF	2	10 ODP	3450	208-230	60	2300/10.0	5.5 @ 55 ft.	9.8 @ 12,840 GPH @ 20'
	A2-3-HF	3	10 ODP	3450	208-230	60	3100/13.6	7.7 @ 64 ft.	13.6 @ 14,040 GPH @ 24'

High Head	A2-1/2-HH	1/2	10 ODP	3450	115/208-230	60	940/4.2	2.4 @ 54 ft.	3.3 @ 6660 GPH @ 7'
	A2-3/4-HH	3/4	10 ODP	3450	115/208-230	60	1250/5.6	3.2 @ 70 ft.	4.2 @ 7140 GPH @ 8'
	A2-1-HH	1	10 ODP	3450	115/208-230	60	1680/7.4	4.1 @ 78 ft.	5.8 @ 8580 GPH @ 10'
	A2-1 1/2-HH	1 1/2	10 ODP	3450	115/208-230	60	1970/9.1	5.5 @ 83 ft.	7.5 @ 9600 GPH @ 13'
	A2-2-HH	2	10 ODP	3450	208-230	60	2220/9.9	5.0 @ 86 ft.	8.4 @ 11,040 GPH @ 16'
	A2-3-HH	3	10 ODP	3450	208-230	60	2900/13.1	7.1 @ 93 ft.	12.2 @ 12,000 GPH @ 18'

*Watt and Amp ratings are typical, but can vary with different motors and operating voltages

For More Information, give us a call or visit us on the Web:

503.356.5888
www.performancepropumps.com



For performance that's **OFF THE CHART** of ordinary pumps!

Pump & Motor Price List



Artesian 2 Low RPM

MODEL	HP	MOTOR TYPE	RPM	LIST PRICE
A2-1/8-39	1/8	1Ø TEFC	1725	\$679.00
A2-1/4-47	1/4	1Ø TEFC	1725	\$710.00
A2-1/4-58	1/4	1Ø TEFC	1725	\$729.00
A2-1/3-63	1/3	1Ø TEFC	1725	\$767.00
A2-1/2-76	1/2	1Ø TEFC	1725	\$817.00

PerformancePro Artesian 2...

is the perfect choice for high efficiency and reliability combined with the convenience of self-priming. Molded of corrosion-resistant polypropylene, Artesian2 pumps are ideal for applications in which the pump is positioned above the water level. An easy-open transparent lid provides ready access to the integral strainer pots large basket. Available in 1/8 to 1/2 hp @ 1725 rpm and 1/2 to 3 hp at 3450 rpm.

Artesian 2 High Flow

MODEL	HP	TYPE	RPM	LIST PRICE
A2-1/2-HF	1/2	1Ø ODP	3450	\$649.00
A2-3/4-HF	3/4	1Ø ODP	3450	\$706.00
A2-1-HF	1	1Ø ODP	3450	\$760.00
A2-1 1/2-HF	1 1/2	1Ø ODP	3450	\$823.00
A2-2-HF	2	1Ø ODP	3450	\$911.00
A2-3-HF	3	1Ø ODP	3450	\$999.00

- Money saving, high efficiency pump and motor units.
- Top-of-the-line motors. All 1725 rpm units are totally enclosed for excellent protection and long term reliability.
- Pump and motor units are designed for quiet operation.
- Pump performance can be easily altered with multiple impeller interchangeability options.
- Long life, corrosion resistant, Stainless Steel shaft seals.
- 2 inch unions included.
- External out of water pumps help protect your investment from potentially dangerous oil leaks and electrical hazards.
- 3 year limited warranty (for fresh water applications)

Artesian 2 High Head

MODEL	HP	TYPE	RPM	LIST PRICE
A2-1/2-HH	1/2	1Ø ODP	3450	\$649.00
A2-3/4-HH	3/4	1Ø ODP	3450	\$706.00
A2-1-HH	1	1Ø ODP	3450	\$760.00
A2-1 1/2-HH	1 1/2	1Ø ODP	3450	\$823.00
A2-2-HH	2	1Ø ODP	3450	\$911.00
A2-3-HH	3	1Ø ODP	3450	\$999.00

* Packaging/Handling fee: \$5.50 per unit

Made with care in the U.S.A.

Options

OPTION	DESCRIPTION	LIST PRICE
Saltwater Kit	Includes PVC shaft sleeve and PTFE coated S.S. seal w/ SiC faces installed in pump.	\$91.00
Cord & Plug	16 AWG, 8 ft. Cord, 115V plug (1725 rpm, 1/2HP max.)	\$13.50
Cord & Plug	12 AWG, 8 ft. Cord, 115V plug (3450 rpm, 1HP max.)	\$20.00

PerformancePro Pumps Inc.

5976 S.E. Alexander St., Suite F, Hillsboro, OR 97123
 Phone: 503/356-5888 Fax: 503/356-1660
 www.performancepropumps.com



For performance that's OFF THE CHART of ordinary pumps!

Specifications

Artesian 2 Low RPM

MODEL	HP	TYPE	RPM	VOLTAGE	HZ.	MAX WATTS	WATTS @ MAX HEAD**	WATTS @ MAX FLOW**	LIST PRICE
A2-1/8-39	1/8	1Ø TEFC	1725	115/230	50/60	202	112 @ 17 ft.	165 @ 3900 GPH @ 3'	\$679.00
A2-1/4-47	1/4	1Ø TEFC	1725	115/230	50/60	290	170 @ 22 ft.	250 @ 4680 GPH @ 4'	\$710.00
A2-1/4-58	1/4	1Ø TEFC	1725	115/230	50/60	360	180 @ 23 ft.	320 @ 5760 GPH @ 5'	\$729.00
A2-1/3-63	1/3	1Ø TEFC	1725	115/230	50/60	450	200 @ 26 ft.	440 @ 6300 GPH @ 6'	\$767.00
A2-1/2-76	1/2	1Ø TEFC	1725	115/230	50/60	630	260 @ 26 ft.	630 @ 7560 GPH @ 8'	\$817.00

Artesian 2 High Flow

MODEL	HP	TYPE	RPM	VOLTAGE	HZ.	MAX WATTS/AMPS	AMPS @ 230V @ MAX HEAD**	AMPS @ 230V @ MAX FLOW**	LIST PRICE
A2-1/2-HF	1/2	1Ø ODP	3450	115/230	60	930 / 4.2	2.2 @ 45 ft.	3.5 @ 7380 GPH @ 8'	\$649.00
A2-3/4-HF	3/4	1Ø ODP	3450	115/208-230	60	1270 / 5.6	2.7 @ 55 ft.	4.8 @ 8880 GPH @ 11'	\$706.00
A2-1-HF	1	1Ø ODP	3450	115/208-230	60	1640 / 7.3	3.5 @ 65 ft.	6.4 @ 9840 GPH @ 13'	\$760.00
A2-11/2-HF	1 1/2	1Ø ODP	3450	115/208-230	60	1940 / 9.0	5.9 @ 54 ft.	8.4 @ 11,400 GPH @ 17'	\$823.00
A2-2-HF	2	1Ø ODP	3450	208-230	60	2300 / 10.0	5.5 @ 55 ft.	9.8 @ 12,840 GPH @ 20'	\$911.00
A2-3-HF	3	1Ø ODP	3450	208-230	60	3100 / 13.6	7.7 @ 64 ft.	13.6 @ 14,040 GPH @ 24'	\$999.00

Artesian 2 High Head

MODEL	HP	TYPE	RPM	VOLTAGE	HZ.	MAX WATTS/AMPS	AMPS @ 230V @ MAX HEAD**	AMPS @ 230V @ MAX FLOW**	LIST PRICE
A2-1/2-HH	1/2	1Ø ODP	3450	115/230	60	940 / 4.2	2.4 @ 54 ft.	3.3 @ 6660 GPH @ 7'	\$649.00
A2-3/4-HH	3/4	1Ø ODP	3450	115/208-230	60	1250 / 5.6	3.2 @ 70 ft.	4.2 @ 7140 GPH @ 8'	\$706.00
A2-1-HH	1	1Ø ODP	3450	115/208-230	60	1680 / 7.4	4.1 @ 78 ft.	5.8 @ 8580 GPH @ 10'	\$760.00
A2-11/2-HH	1 1/2	1Ø ODP	3450	115/208-230	60	1970 / 9.1	5.5 @ 83 ft.	7.5 @ 9600 GPH @ 13'	\$823.00
A2-2-HH	2	1Ø ODP	3450	208-230	60	2200 / 9.9	5.0 @ 86 ft.	8.4 @ 11,040 GPH @ 16'	\$911.00
A2-3-HH	3	1Ø ODP	3450	208-230	60	2900 / 13.1	7.1 @ 93 ft.	12.2 @ 12,000 GPH @ 18'	\$999.00

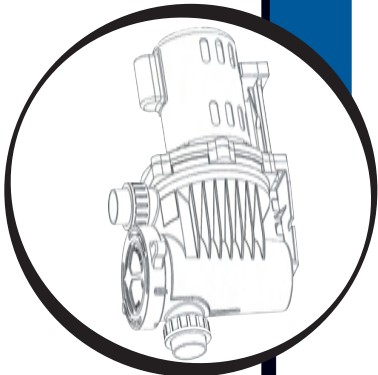
Features & Options

- * Designed to operate at any point on specified performance curve.
- * Minimum recommended continuous flow rate of five gallons per minute.
- * 2" female NPT suction and discharge ports.
- * All 1725 RPM motors are enclosed for extra protection and long life.
- * 316 stainless steel shaft seal.
- * A 16 AWG, 8 ft. cord with 115 volt plug is optional (1725 rpm, 1/2HP max).
- * A 12 AWG, 8 ft. cord with 115 volt plug is optional (3450 rpm, 1hp max).
- * Saltwater kits available for an additional \$91.00.
- * A \$5.50 handling & packaging fee applies to each unit.
- * 3 year limited warranty for fresh water applications.
- * 1 year limited warranty for salt water applications.

** Watt and Amp draw ratings are typical but may vary with alternate motors and operating voltages.

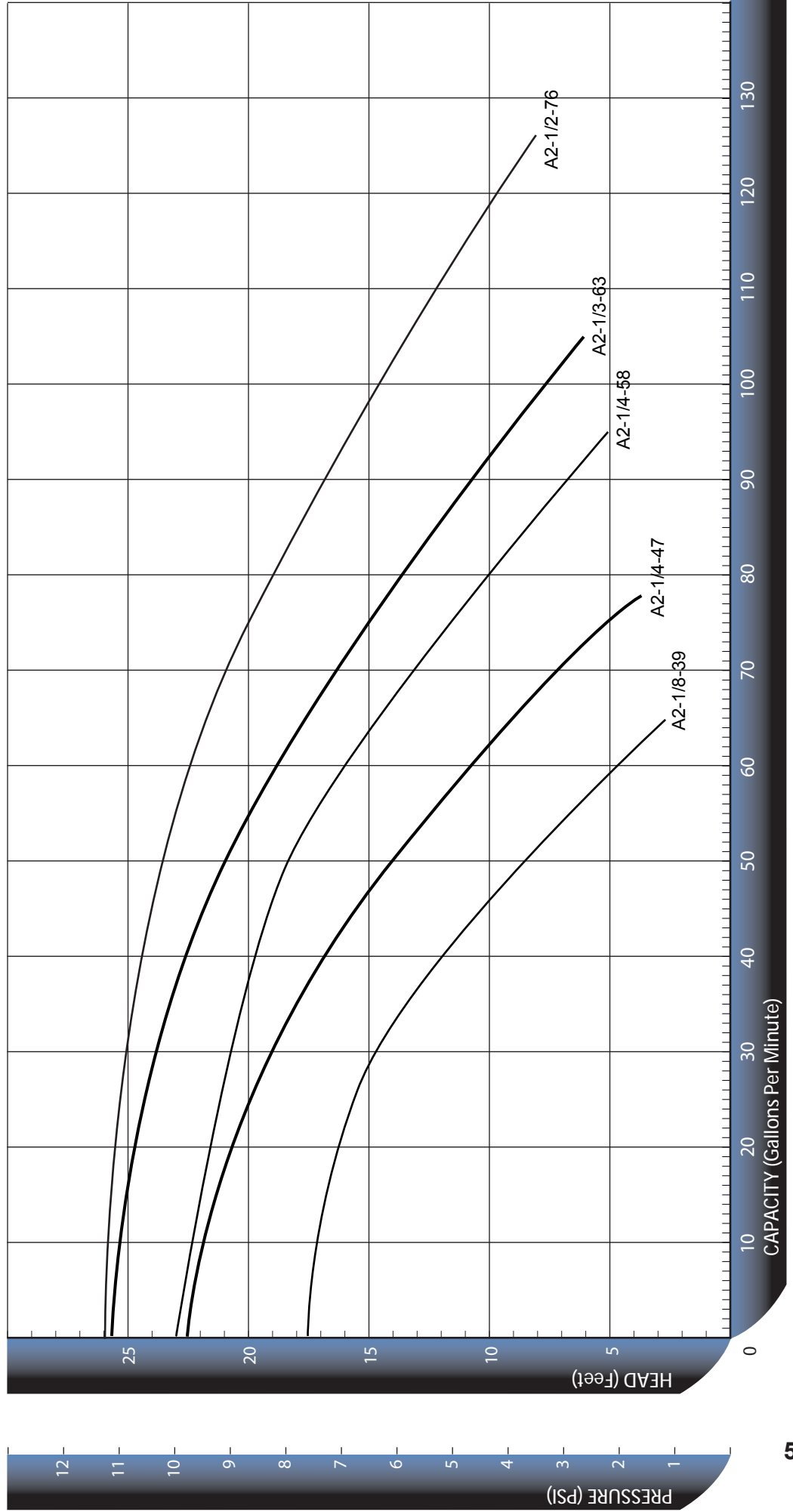
PerformancePro Pumps Inc.

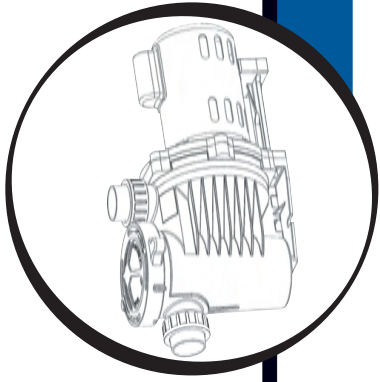
5976 S.E. Alexander St., Suite F. Hillsboro, Oregon 97123
 Phone: 503/356-5888 Fax: 503/356-1660
 www.performancepropumps.com



Pump Model: Artesian2
 Impeller: Various RPM: 1725
 Horsepower: 1/8-1/2 Date: 07/01/2011

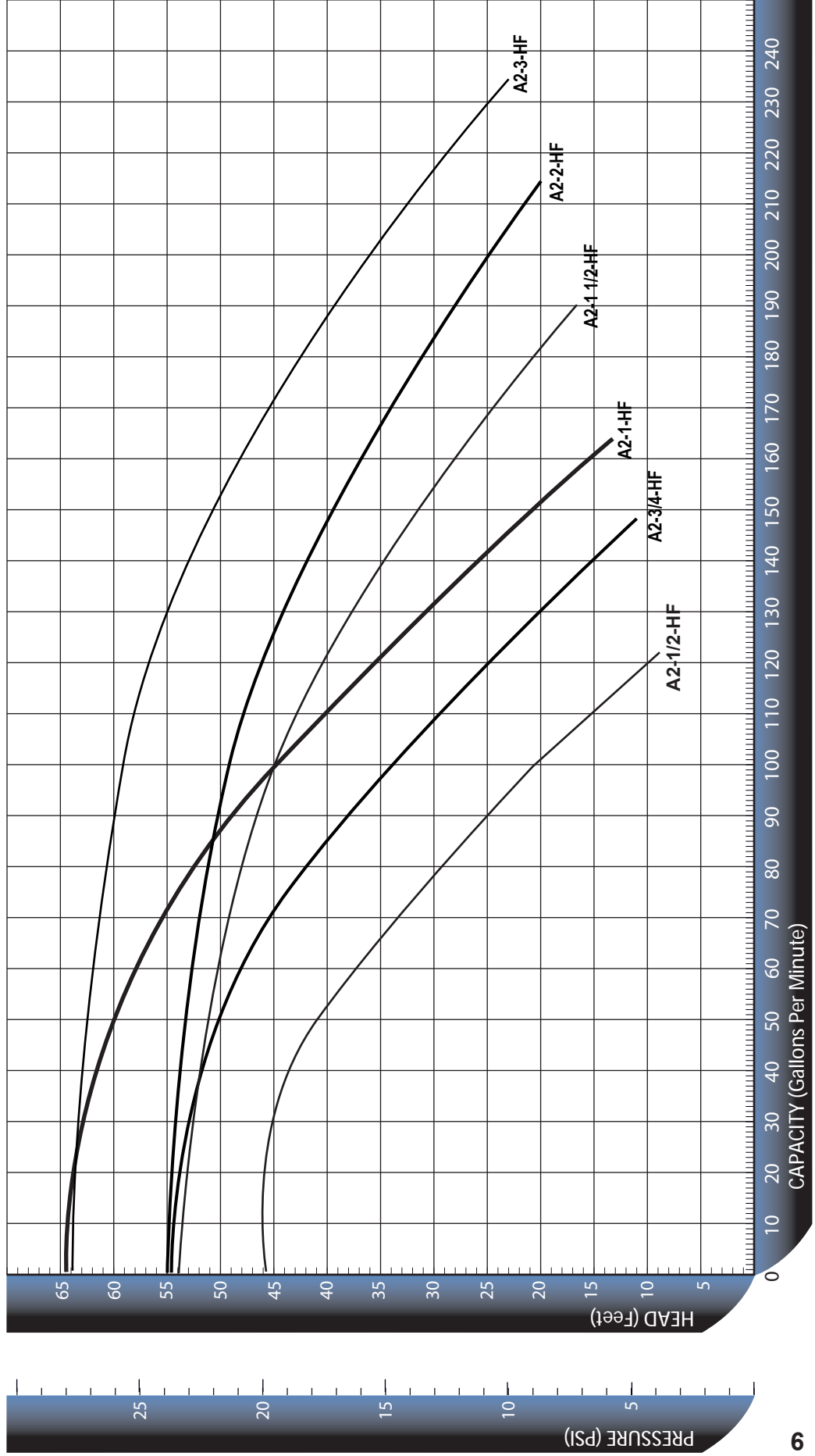
For performance that's OFF THE CHARTS of ordinary pumps!

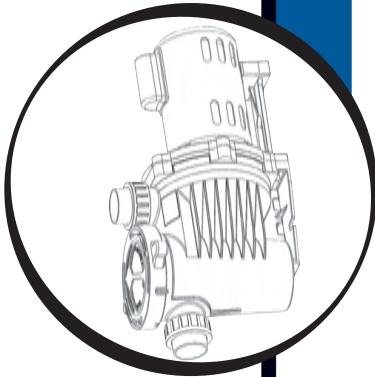




Pump Model: Artesian2 High Flow
 Impeller: Various RPM: 3450
 Horsepower: 1/2-3 Date: 07/01/2011

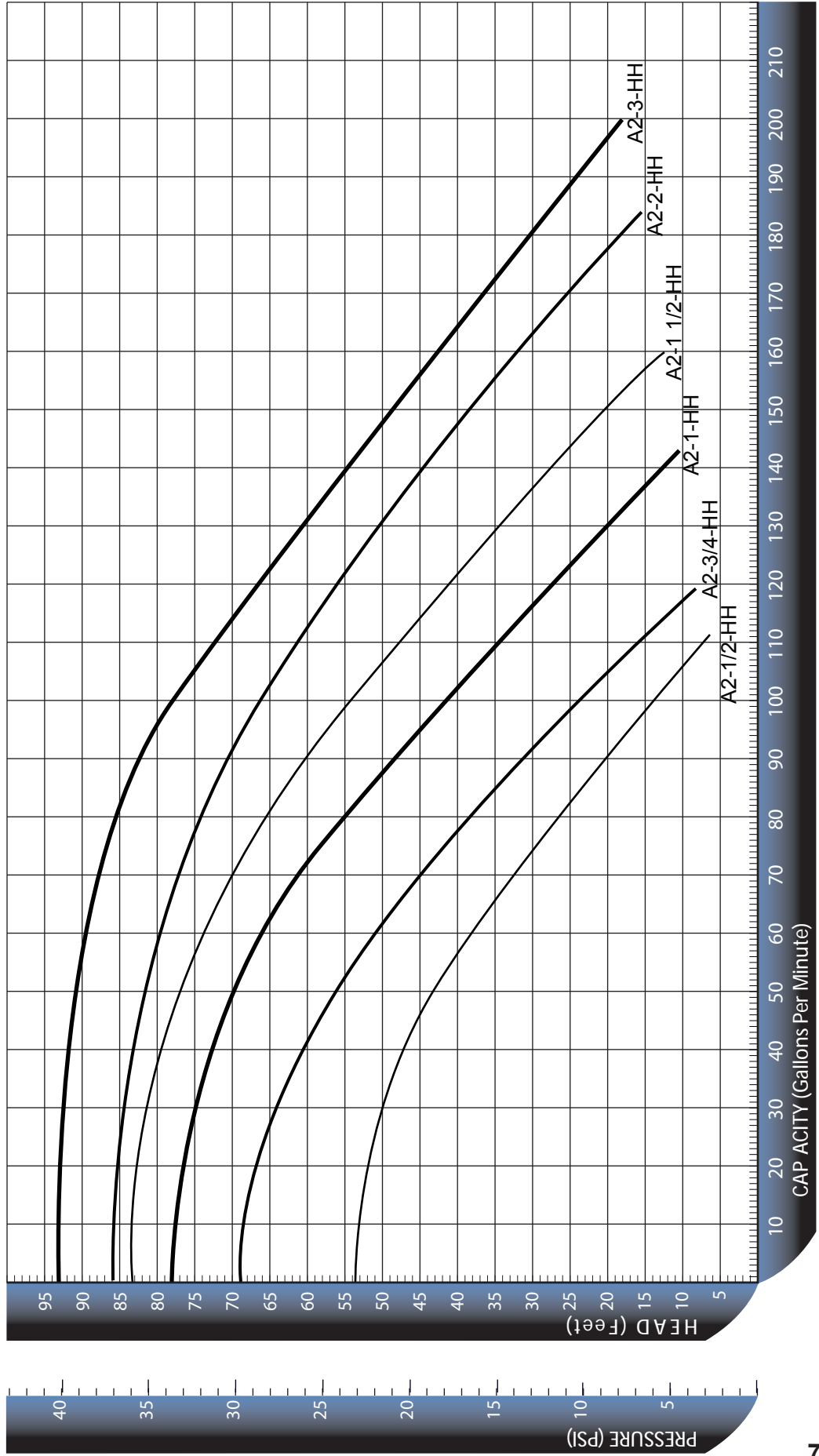
For performance that's OFF THE CHARTS of ordinary pumps!





Pump Model: Artesian2 High Head
 Impeller: Various RPM: 3450
 Horsepower: 1/2 - 3 Dated: 07/01/2011

For performance that's OFF THE CHARTS of ordinary pumps!



NOTES





For performance that's OFF THE CHART of ordinary pumps!

Pump & Motor Price List



Artesian 2 2 Speed

MODEL	HP	VOLTAGE	MOTOR TYPE	RPM	LIST PRICE
A2-2SPD-3/4	3/4-1/12	115	1Ø ODP	3450/1725	\$939.00
A2-2SPD-1	1-1/6	230	1Ø ODP	3450/1725	\$996.00
A2-2SPD-1 1/2	1 1/2-1/4	230	1Ø ODP	3450/1725	\$1113.00
A2-2SPD-2	2-1/3	230	1Ø ODP	3450/1725	\$1267.00

PerformancePro Artesian 2...

is the perfect choice for high efficiency and reliability combined with the convenience of self-priming. Molded of corrosion-resistant polypropylene. Artesian2 pumps are ideal for applications in which the pump is positioned above the water level. An easy-open transparent lid provides ready access to the integral strainer pots large basket.

- Money saving high efficiency pump and motor units.
- Top of the line motors.
- Pump and motor units are designed for quiet operation.
- Pump performance can easily be altered with multiple impeller interchangeability options.
- Long life, corrosion resistant, Stainless Steel shaft seals.
- 2 inch unions included.
- External out of water pumps help protect your investment from potentially dangerous oil leaks and electrical hazards.
- 3 year limited warranty (for fresh water applications)
- Packaging/Handling fee: \$5.50 per unit

Options

OPTION	DESCRIPTION	LIST PRICE
Saltwater Kit	Includes PVC shaft sleeve and PTFE coated S.S. seal w/ SiC faces installed in pump.	\$91.00

Made with care in the U.S.A.

PerformancePro Pumps Inc.

5976 S.E. Alexander St., Suite F, Hillsboro, OR 97123
 Phone: 503/356-5888 Fax: 503/356-1660
 www.performancepropumps.com



For performance that's **OFF THE CHART** of ordinary pumps!

Specifications



The Artesian 2 2 speed pump series offers a unique blend of performance characteristics that make it easy to install, efficient to operate and reliable to use. Due to its excellent design you get both high efficiency and true self-priming capabilities. Low NPSH requirements insure proper operation even when the pump is positioned slightly above the water. The heavy duty housing is molded of corrosion resistant polypropylene. A quick clamp lid provides easy access to the integral strainer basket. The two speed motor offers low watt consumption and quiet operation at low speed. Simple switch operation conveniently adjusts flow rates and pressures.

When you want a pump that's above the rest, insist on an Artesian2.

Artesian 2 2 Speed

MODEL	HP	TYPE	Motor Specifications			Performance and Price			
			VOLTAGE	WATTS or AMP (A)*	HZ.	RPM	MAX. HEAD	MAX. FLOW	LIST PRICE
A2-2SPD-3/4	3/4-1/12	1Ø ODP	115	11.6 A	60	3450	62'	6,780 GPH @ 7'	\$939.00
A2-2SPD-1	1-1/6	1Ø ODP	115	210	60	1725	16'	3,360 GPH @ 2'	\$996.00
A2-2SPD-11/2	11/2-1/4	1Ø ODP	230	7.2 A	60	3450	79'	8580 GPH @ 10'	\$1,113.00
A2-2SPD-2	2-1/3	1Ø ODP	230	300	60	1725	20'	4260 GPH @ 3'	\$1,267.00
			230	413	60	3450	80'	9186 GPH @ 30'	
			230	10.4 A	60	1725	19'	4530 GPH @ 8'	
			230	380	60	3450	88'	10,980 GPH @ 15'	
			230		60	1725	22'	5,400 GPH @ 4'	

Features & Options

- * Designed to operate at any point on specified performance curve.
- * 2" female NPT suction and discharge ports.
- * Shaft seals are 316 stainless steel.
- * 16 AWG, 8ft cord with 115V plug is optional (1725 rpm, 1/2 hp max.)
- * 12 AWG, 8ft cord with 115V plug is optional (3450 rpm, 1hp max.)
- * Saltwater kits available for an additional \$91.00.
- * A \$5.50 handling & packaging fee applies to each unit.
- * 3 year limited warranty for fresh water applications.
- * 1 year limited warranty for salt water applications.

* Ratings are the maximum true watts.

Made with care in the U.S.A.

PerformancePro Pumps Inc.

5976 S.E. Alexander St., Suite F. Hillsboro, Oregon 97123
 Phone: 503/356-5888 Fax: 503/356-1660
 www.performancepropumps.com

Effective Date January 1, 2015



Pump Model: Artesian2 2Speed

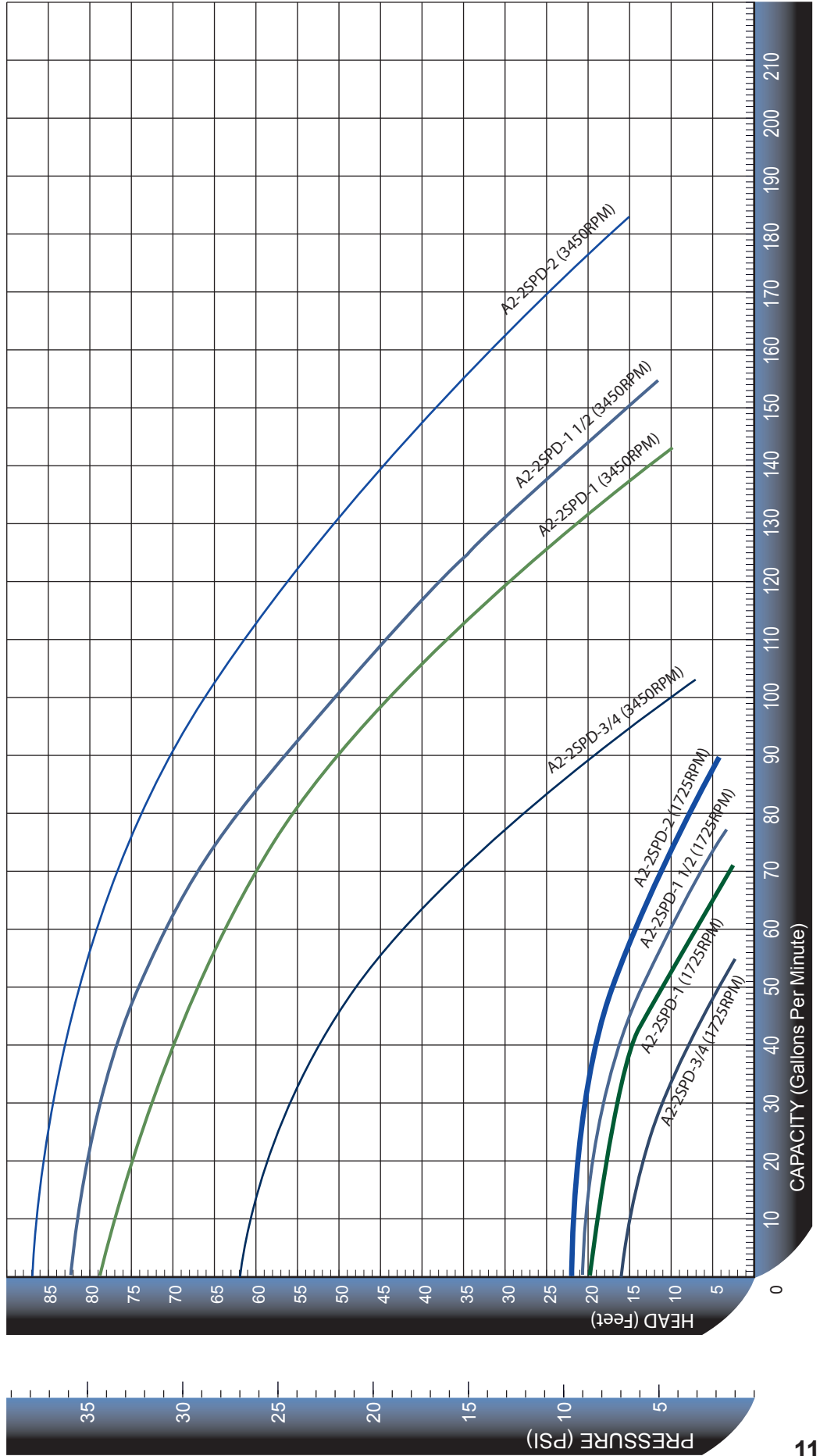
Impeller: Various

RPM: 1725/3450

Horsepower: 3/4 - 2

Date: 01/15/2015

For performance that's OFF THE CHARTS of ordinary pumps!



Pump & Motor Price List



**NEW
PRICE**

Dial-A-Flow

MODEL	HP	TYPE	RPM	LIST PRICE
A2-2.7-HF-DAF	0-2.7	1 Ø TEFC Motor 230V input to inverter	Variable	\$1,850.00
A2-2.7-HH-DAF	0-2.7	1 Ø TEFC Motor 230V input to inverter	Variable	\$1,850.00

Options

OPTION	DESCRIPTION	LIST PRICE
Saltwater Kit	Includes PVC shaft sleeve and PTFE coated S.S. seal w/ SiC faces installed in pump.	\$91.00

Made with care in the U.S.A.

PerformancePro Artesian 2 Dial-A-Flow...

Get all the advantages of our high quality, self-priming, Artesian2 pump line with the flexibility and convenience of an adjustable flow rate. Molded of corrosion-resistant polypropylene, Artesian2 pumps are ideal for applications in which the pump is positioned above the water level. An easy-open transparent lid provides easy access to the integrated strainer basket.

- Low energy consumption, high efficiency pump and motor unit.
- Permanent magnet drive, three phase motor offers premium efficiency with totally enclosed fan cooled protection for maximum performance and reliability.
- Variable speed performance
- Integrated Timer Interface
- 2 inch unions included
- LCD Backlight Display
- Option available to control speed remotely (accessories required)
- 18 month limited warranty (applies to Fresh water)
1 year limited warranty (applies to Salt water)
- Packaging/Handling fee: \$5.50 per unit

PerformancePro Pumps Inc.

5976 S.E. Alexander St., Suite F, Hillsboro, OR 97123
Phone: 503/356-5888 Fax: 503/356-1660
www.performancepropumps.com

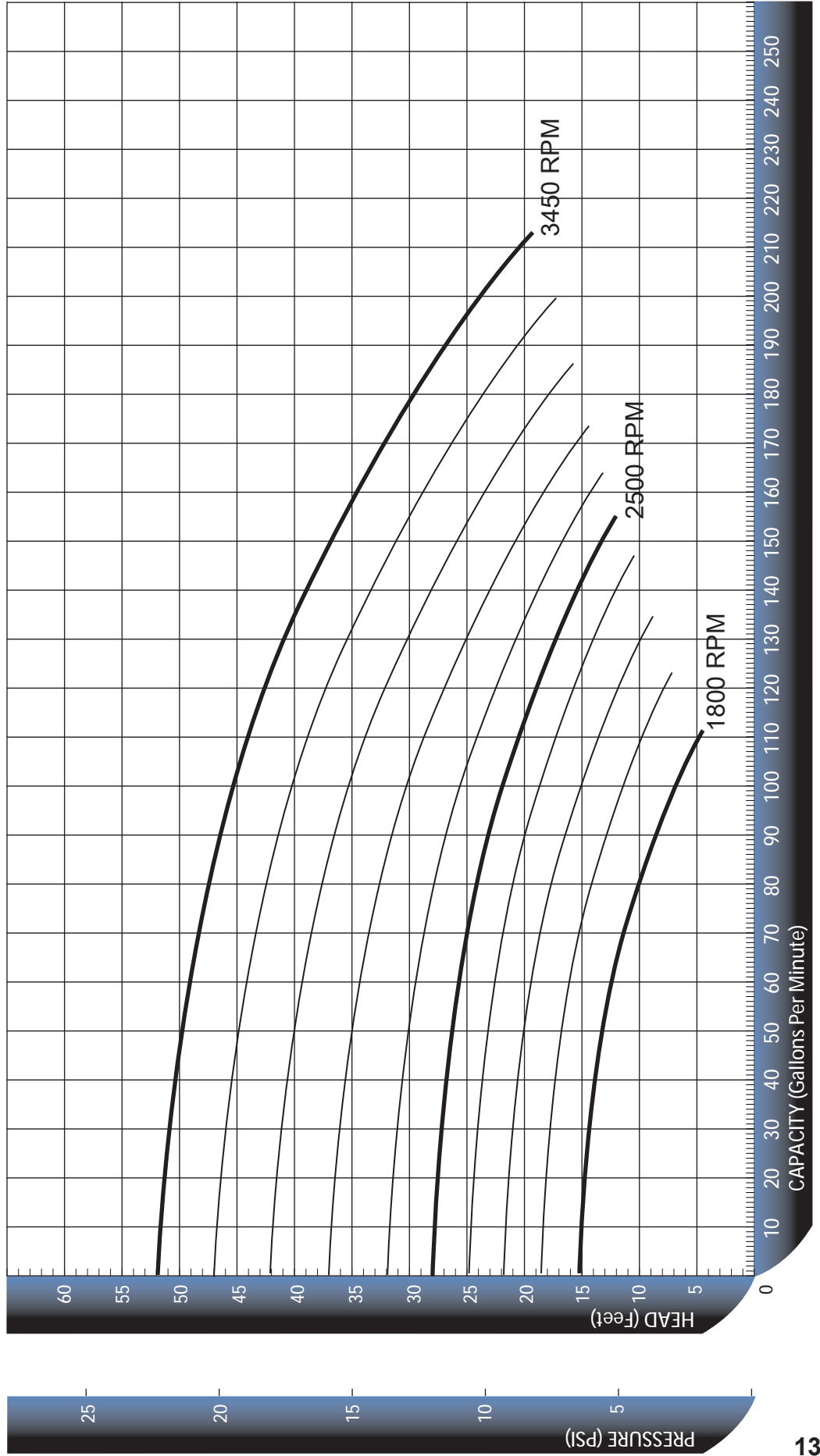


Pump Model: A2-2.7-HF-DAF

Impeller: ANI-3-94.15 RPM: Variable

Horsepower: 2.7 Date: 03/12/2012

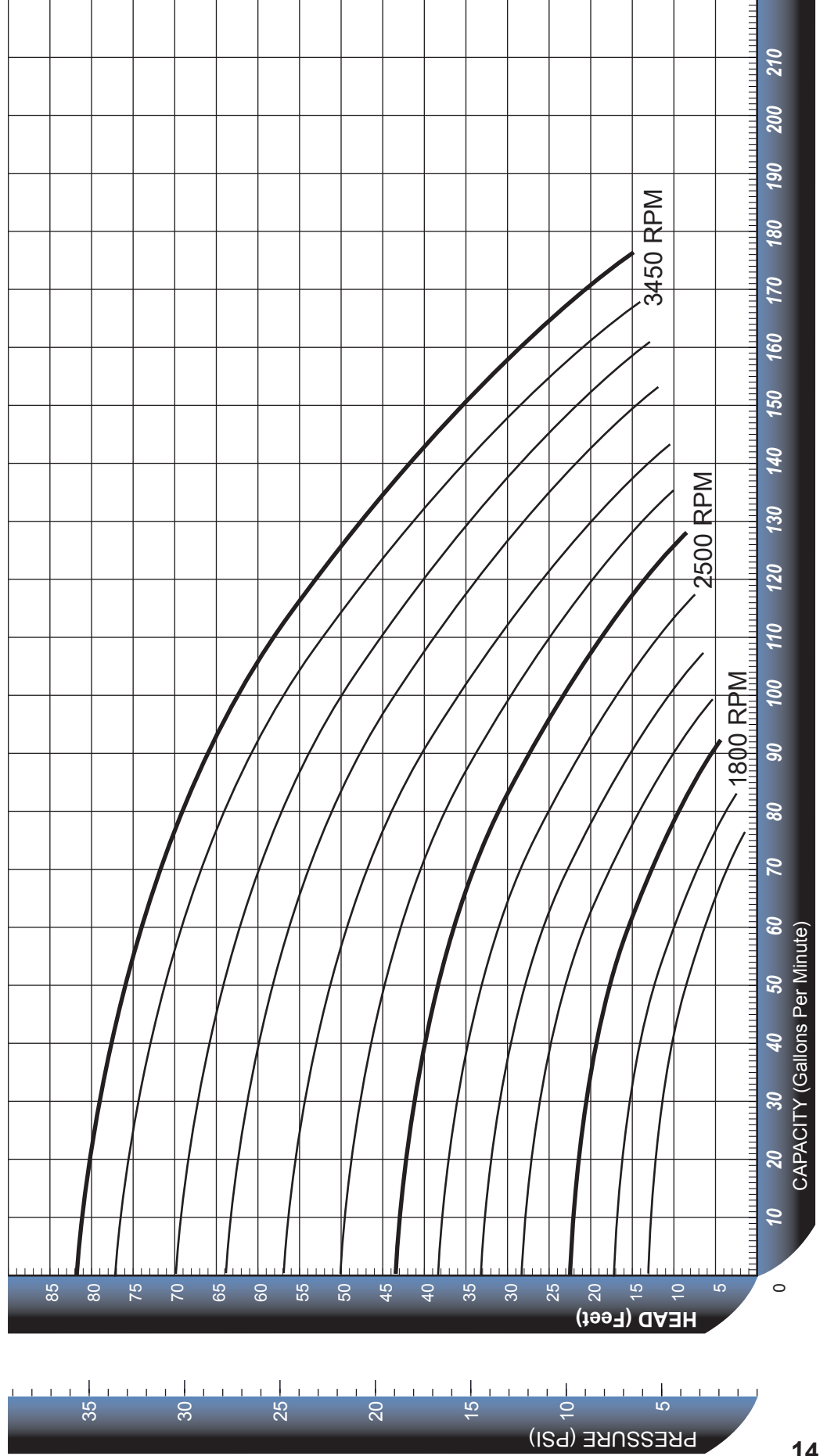
For performance that's OFF THE CHARTS of ordinary pumps!



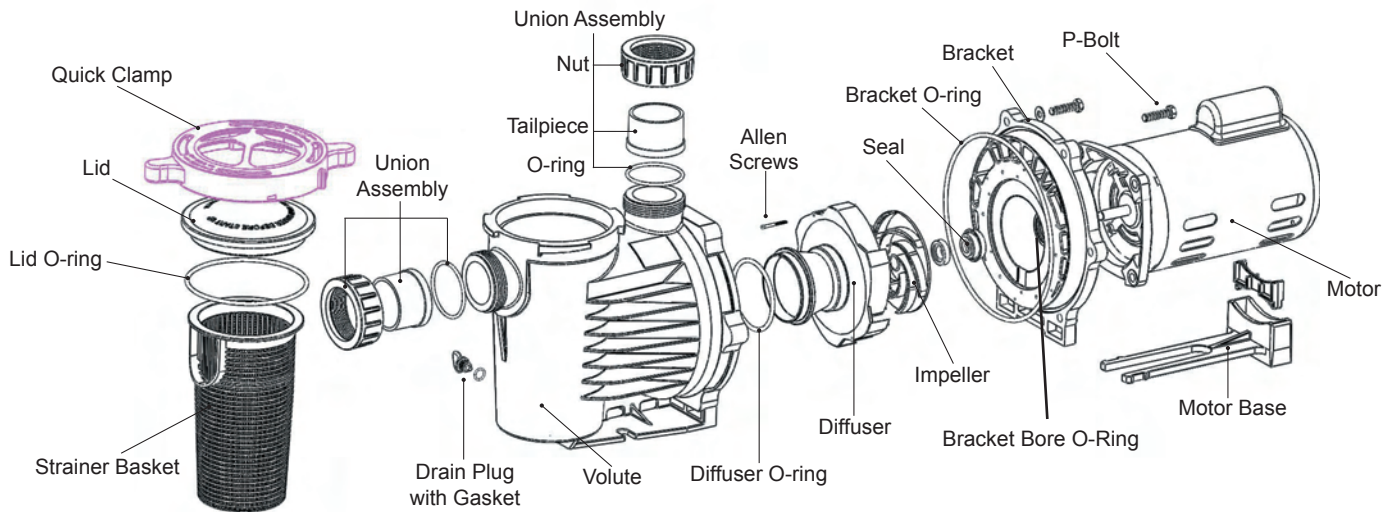


Pump Model: A2-2.7-HH-DAF
Impeller: ANI-2-64.80
Horsepower: 2.7
RPM: Variable
Date: 07/2/2012

For performance that's OFF THE CHARTS of ordinary pumps!

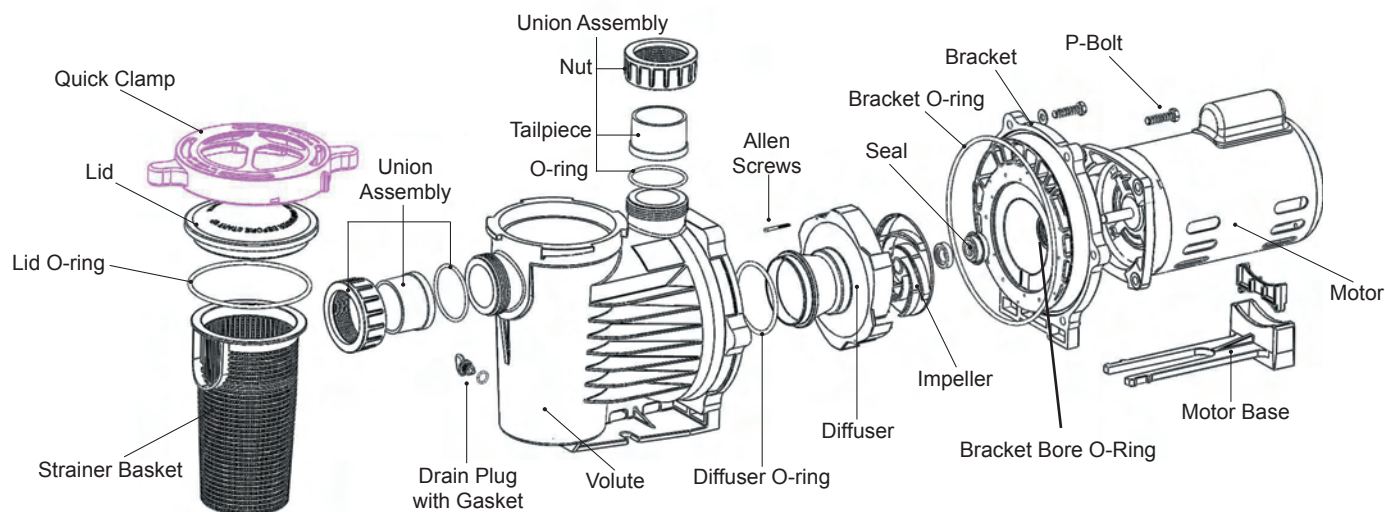


Parts Price List



ITEM	DESCRIPTION	PART NUMBER	LIST PRICE
Quick Clamp	Clamp Ring for Volute	APC-50	\$33.50
Lid	Lexan™ Lid for Volute	ALL-40	\$25.00
Lid O-Ring	O-Ring for Lexan™ Lid	ABL-30	\$8.75
Strainer Basket	Strainer Basket for Volute	AAS-2-20	\$15.50
Volute	Volute Housing (Polypropylene)	APV-2-10	\$160.00
Diffuser O-Ring	O-Ring for Diffuser Nose	APD-06.6	\$9.75
Diffuser	Diffuser Large Vane (for #4 - 7 Impellers)	APD-2-08	\$60.00
	Diffuser XL Vane (for #8 - 9 Impellers)	APD-09	\$64.00
Set Screw with Gasket	Impeller Reverse Set Screw with Gasket (for 3450 RPM Pumps only)	ASI-09	\$5.50
Impeller	Impeller for A2-1/8-39 (#4)	ANI-2-44.35	\$95.00
	Impeller for A2-1/4-58 (#6)	ANI-2-64.92	\$95.00
	Impeller for A2-1/4-47 (#4)	ANI-2-44.92	\$95.00
	Impeller for A2-1/3-63 (#7)	ANI-2-75.12	\$95.00
	Impeller for A2-1/2-76 (#8)	ANI-2-85.12	\$95.00
	Impeller for A2-1/2-HH (#3)	ANI-2-34.00	\$95.00
	Impeller for A2-3/4-HH (#3)	ANI-2-34.50	\$95.00
	Impeller for A2-1-HH (#4)	ANI-2-44.70	\$95.00
	Impeller for A2-11/2-HH (#5)	ANI-2-54.80	\$95.00
	Impeller for A2-2-HH (#6)	ANI-2-64.80	\$95.00
	Impeller for A2-3-HH (#7)	ANI-2-74.95	\$95.00
	Impeller for A2-1/2-HF (#5)	ANI-2-53-70	\$95.00
Impeller for A2-3/4-HF (#7)	ANI-2-73.95	\$95.00	
Impeller for A2-1-HF (#7)	ANI-2-74.20	\$95.00	
Impeller for A2-11/2-HF (#8)	ANI-2-84.22	\$95.00	

Parts Price List



ITEM	DESCRIPTION	PART NUMBER	LIST PRICE
Impeller	Impeller for A2-2-HF (#9)	ANI-2-94.15	\$95.00
	Impeller for A2-3-HF (#9)	ANI-2-94.40	\$95.00
Seal	316 Stainless Steel Carbon vs. Ceramic with Buna	MPS-513	\$31.50
	PTFE Coated S.S. with SIC Faces, Buna Trim	MPS-517	\$97.50
Bracket O-ring	O-ring for Bracket	APO-3-20	\$11.00
Bracket Bore O-Ring	Bracket Bore O-ring	PNO-02	\$4.00
Bracket	Bracket (Polypropylene)	APS-3-30	\$90.25
Motor Base	Plastic Motor Base	APF-3-10	\$31.00
Hardware	Stainless Steel Hardware Set	MPH-30	\$18.50
Union Assembly	2" Nut, Tail Piece & O-Ring	MPF-2-200	\$14.50
Drain Plug	Polypropylene Drain Plug with Buna O-Ring (1)	PPD-10	\$3.00
Seal Kit	Includes (2) Drain plug O-rings, (1) Lid, Diffuser, Bracket & Bracket bore O-rings, (1) 513 Mechanical seal, and (1) Reverse set screw washer.	A2-SK1	\$60.00



PerformancePro

Pumps

For performance that's
OFF THE CHART
of ordinary pumps!



The new **PerformancePro** ArtesianPro pumps are born of a great heritage. They offer larger ports and internal passages providing lower friction losses, quieter water movement, and higher flow rates. Their high efficiencies and high quality components ensure reliable long-term service at low monthly operating costs.

For dependable money-saving performance that's way off the chart, you need PerformancePro.

Only gravity is more reliable!

PerformancePro

ArtesianPro

Made with care in the U.S.A.

Pumps

Simply the best combination
of performance, reliability,
and energy savings!

Features & Benefits

- ▶ Money saving high efficiency pump and motor units
- ▶ Large strainer basket for high flow and less clogging
- ▶ Unions are standard for easy installation
- ▶ Ready for hard wiring or an optional cord and plug
- ▶ Both pump and motor are designed for quiet operation
- ▶ Top-of-the-line motors. All 1725 rpm units are totally enclosed for excellent protection and reliability
- ▶ Saltwater Kit available

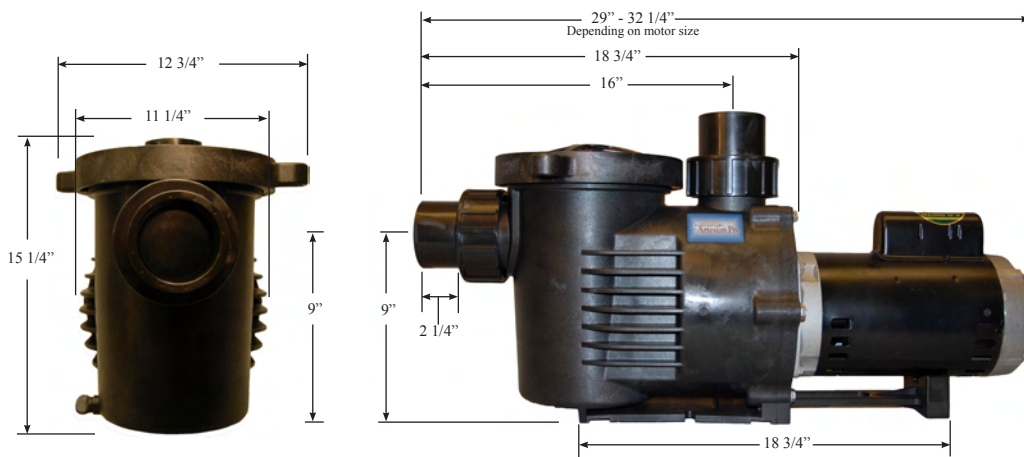
ArtesianPro

The ArtesianPro expands on the high efficiency and self-priming advantages of the original Artesian pump series. Designed for quiet operation and enhanced performance the ArtesianPro has 3" ports for great water passage at higher flow rates. A large capacity strainer basket is visible through the clear lexan lid and is readily accessible thanks to the easy to open quick clamp ring. This makes cleaning the basket quick and painless.

Quick connect fittings are included with each pump. Two sizes are standard. Choose from 2" or 3" (which also works for 2 1/2" pipe). Three different series are available to meet the requirements of your particular system. The energy efficient low rpm series are available from 1/4 to 1 hp. The high flow series and the high head series both range from 1 hp to 5 hp.

As always, PerformancePro utilizes the very best materials and components to ensure long term reliability and industry leading performance. Made with care in the USA.

PerformancePro Pumps are easy to install, inexpensive to operate, and a joy to own.



NOTE: Measurements given using a 3" tail piece

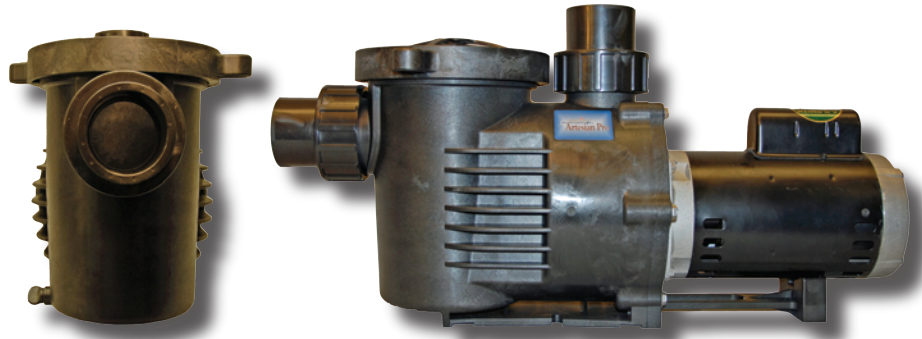
	MODEL	HP	TYPE	RPM	VOLTAGE	MAX WATTS*	MAX HEAD	MAX FLOW
Low RPM	AP-1/4-66	1/4	10 TEFC	1725	115/230	370	21 ft.	6600 GPH @ 2'
	AP-1/3-73	1/3	10 TEFC	1725	115/230	460	23 ft.	7320 GPH @ 3'
	AP-1/2-92	1/2	10 TEFC	1725	115/230	620	24 ft.	9240 GPH @ 4'
	AP-3/4-105	3/4	10 TEFC	1725	115/230	730	23 ft.	10,500 GPH @ 4'
	AP-1-120	1	10 TEFC	1725	115/230	970	24 ft.	12,000 GPH @ 6'

	MODEL	HP	TYPE	RPM	VOLTAGE	MAX AMPS @ 230V*	MAX HEAD	MAX FLOW
High Flow	AP-1/2-HF	1/2	10 ODP	3450	115/230	4.3	38 ft.	8880 GPH @ 3'
	AP-3/4-HF	3/4	10 ODP	3450	115/230	5.5	40 ft.	10,680 GPH @ 5'
	AP-1-HF	1	10 ODP	3450	115/230	7.9	45 ft.	13,500 GPH @ 7'
	AP-1 1/2-HF	1 1/2	10 ODP	3450	230	9.2	49 ft.	13,980 GPH @ 8'
	AP-2-HF	2	10 ODP	3450	230	10.2	54 ft.	15,540 GPH @ 10'
	AP-3-HF	3	10 ODP	3450	230	13.4	58 ft.	17,820 GPH @ 13'
AP-5-HF	5	10 ODP	3450	230	17.6	68 ft.	19,740 GPH @ 15'	

	MODEL	HP	TYPE	RPM	VOLTAGE	MAX AMPS @ 230V*	MAX HEAD	MAX FLOW
High Head	AP-1-HH	1	10 ODP	3450	115/230	7.4	75 ft.	9780 GPH @ 4'
	AP-1 1/2-HH	1 1/2	10 ODP	3450	230	8.6	79 ft.	10,980 GPH @ 5'
	AP-2-HH	2	10 ODP	3450	230	9.9	81 ft.	12,480 GPH @ 7'
	AP-3-HH	3	10 ODP	3450	230	13.4	90 ft.	13,380 GPH @ 7'
	AP-5-HH	5	10 ODP	3450	230	19.2	93 ft.	17,220 GPH @ 12'

*Watt and Amp ratings are typical, but can vary with different motors and operating voltages

Pump & Motor Price List



ArtesianPro Low RPM

MODEL	HP	MOTOR TYPE	RPM	LIST PRICE
AP 1/4-66	1/4	1Ø TEFC	1725	\$905.00
AP 1/3-73	1/3	1Ø TEFC	1725	\$967.00
AP 1/2-92	1/2	1Ø TEFC	1725	\$1019.00
AP 3/4-105	3/4	1Ø TEFC	1725	\$1,115.50
AP 1-120	1	1Ø TEFC	1725	\$1,171.00

PerformancePro ArtesianPro...

is the right choice for your higher flow applications. This pump delivers efficient operation and superior flow rates. Enjoy the safety and convenience of a self-priming unit along with excellent energy savings. Features a large strainer basket and an easy open transparent lid. The uniquely designed lid and clamp ring insure a proper seal with minimal o-ring wear. Experience the difference for yourself.

ArtesianPro High Flow

MODEL	HP	TYPE	RPM	LIST PRICE
AP 1/2-HF	1/2	1Ø ODP	3450	\$883.00
AP 3/4-HF	3/4	1Ø ODP	3450	\$925.00
AP 1-HF	1	1Ø ODP	3450	\$1,041.50
AP 1 1/2-HF	1 1/2	1Ø ODP	3450	\$1,081.50
AP 2-HF	2	1Ø ODP	3450	\$1,162.00
AP 3-HF	3	1Ø ODP	3450	\$1,252.50
AP 5-HF	5	1Ø ODP	3450	\$1,479.00

- Money saving, high efficiency pump and motor units.
- Quick disconnect unions are included. 2" or 3" fittings are available for easy attachment.
- Corrosion-resistant polypropylene housing
- Long life corrosion resistant Stainless Steel shaft seals.
- Pump performance can be easily altered with multiple impeller interchangeability options.
- Top-of-the-line motors. All 1725 rpm units are totally enclosed and fan cooled for extended service life.
- External out of water pumps help protect your investment from potentially dangerous oil leaks and electrical hazards.
- 3 year limited warranty (for fresh water applications).
- Packaging/Handling fee: \$6.50 per unit

ArtesianPro High Head

MODEL	HP	TYPE	RPM	LIST PRICE
AP 1-HH	1	1Ø ODP	3450	\$1,041.50
AP 1 1/2-HH	1 1/2	1Ø ODP	3450	\$1,081.50
AP 2-HH	2	1Ø ODP	3450	\$1,162.00
AP 3-HH	3	1Ø ODP	3450	\$1,252.50
AP 5-HH	5	1Ø ODP	3450	\$1,479.00

Please specify a 2" or 3" fittings when ordering.

Options

OPTION	DESCRIPTION	LIST PRICE
Saltwater Kit	Includes PVC shaft sleeve and PTFE coated S.S. seal w/ SiC faces installed in pump.	\$91.00
Cord & Plug	16 AWG, 8 ft. Cord, 115V plug (1725 rpm, 1/4HP -1/2HP)	\$13.50
Cord & Plug	12 AWG, 8 ft. Cord, 115V plug (1725 rpm, 3/4HP - 1HP; 3450 rpm, 1HP max.)	\$20.00

Made with care in the U.S.A.

PerformancePro Pumps Inc.

5976 S.E. Alexander St., Suite F, Hillsboro, OR 97123
 Phone: 503/356-5888 Fax: 503/356-1660
 www.performancepropumps.com

ArtesianPro Low RPM

MODEL	HP	TYPE	RPM	VOLTAGE	HZ.	MAX WATTS	WATTS @ MAX. HEAD**	WATTS @ MAX. FLOW**	LIST PRICE
AP 1/4-66	1/4	1Ø TEFC	1725	115/230	50/60	370	230 @ 21 ft.	310 @ 6600 GPH @ 2'	\$905.00
AP 1/3-73	1/3	1Ø TEFC	1725	115/230	50/60	460	240 @ 23 ft.	410 @ 7320 GPH @ 3'	\$967.00
AP 1/2-92	1/2	1Ø TEFC	1725	115/230	50/60	620	330 @ 24 ft.	580 @ 9240 GPH @ 4'	\$1019.00
AP 3/4-105	3/4	1Ø TEFC	1725	115/230	50/60	830	450 @ 23 ft.	810 @ 10,500 GPH @ 5'	\$1,115.50
AP 1-120	1	1Ø TEFC	1725	115/230	50/60	970	480 @ 24 ft.	970 @ 12,000 GPH @ 6'	\$1,171.00

ArtesianPro High Flow

MODEL	HP	TYPE	RPM	VOLTAGE	HZ.	MAX WATTS/AMPS	AMPS @ 230V @ MAX. HEAD**	AMPS @ 230V @ MAX. FLOW**	LIST PRICE
AP 1/2-HF	1/2	1Ø ODP	3450	115/230	60	960 / 4.3	2.6 @ 38 ft.	3.3 @ 8880 GPH @ 3'	\$883.00
AP 3/4-HF	3/4	1Ø ODP	3450	115/230	60	1230 / 5.5	3.4 @ 40 ft.	4.2 @ 10,680 GPH @ 5'	\$925.00
AP 1-HF	1	1Ø ODP	3450	115/230	60	1780 / 7.9	4.1 @ 45 ft.	6.9 @ 13,500 GPH @ 7'	\$1,041.50
AP 1 1/2-HF	1 1/2	1Ø ODP	3450	208-230*	60	2010 / 9.2	5.6 @ 49 ft.	8.0 @ 13,980 GPH @ 8'	\$1,081.50
AP 2-HF	2	1Ø ODP	3450	208-230*	60	2300 / 10.2	5.5 @ 54 ft.	9.2 @ 15,540 GPH @ 10'	\$1,162.00
AP 3-HF	3	1Ø ODP	3450	208-230	60	3100 / 13.4	6.7 @ 58 ft.	13.1 @ 17,820 GPH @ 13'	\$1,252.50
AP 5-HF	5	1Ø ODP	3450	208-230	60	4000 / 17.6	9.5 @ 68 ft.	17.3 @ 19,740 GPH @ 15'	\$1,479.00

ArtesianPro High Head

MODEL	HP	TYPE	RPM	VOLTAGE	HZ.	MAX WATTS/AMPS	AMPS @ 230V @ MAX. HEAD**	AMPS @ 230V @ MAX. FLOW**	LIST PRICE
AP 1-HH	1	1Ø ODP	3450	115/230	60	1680 / 7.4	4.6 @ 75 ft.	5.4 @ 9780 GPH @ 4'	\$1,041.50
AP 1 1/2-HH	1 1/2	1Ø ODP	3450	208-230*	60	1960 / 8.6	5.6 @ 79 ft.	6.7 @ 10,980 GPH @ 5'	\$1,081.50
AP 2-HH	2	1Ø ODP	3450	208-230*	60	2300 / 9.9	5.5 @ 81 ft.	7.5 @ 12,480 GPH @ 7'	\$1,162.00
AP 3-HH	3	1Ø ODP	3450	208-230	60	3100 / 13.4	6.8 @ 90 ft.	11.3 @ 13,380 GPH @ 7'	\$1,252.50
AP 5-HH	5	1Ø ODP	3450	208-230	60	4400 / 19.2	11.3 @ 93 ft.	17.6 @ 17,220 GPH @ 12'	\$1,479.00

Features & Options

- * Designed to operate at any point on specified performance curve.
- * Minimum recommended continuous flow rate of five gallons per minute.
- * 3 inch suction and discharge ports with quick connect fittings included. 2" or 3" fittings available.
- * All 1725 RPM motors are enclosed for extra protection and long life.
- * 316 stainless steel shaft seal.
- * Optional 16 AWG, 8 ft. cord with 115 volt plug available for 1725 rpm, 1/4HP - 1/2HP.
- * Optional 12 AWG, 8 ft. cord with 115 volt plug available for 1725 rpm, 3/4HP - 1HP; 3450 rpm, 1hp max.
- * Saltwater kits available for an additional \$91.00.

- * A \$.50 handling & packaging fee applies to each unit.
- * 3 year limited warranty for fresh water applications.
- * 1 year limited warranty for salt water applications.

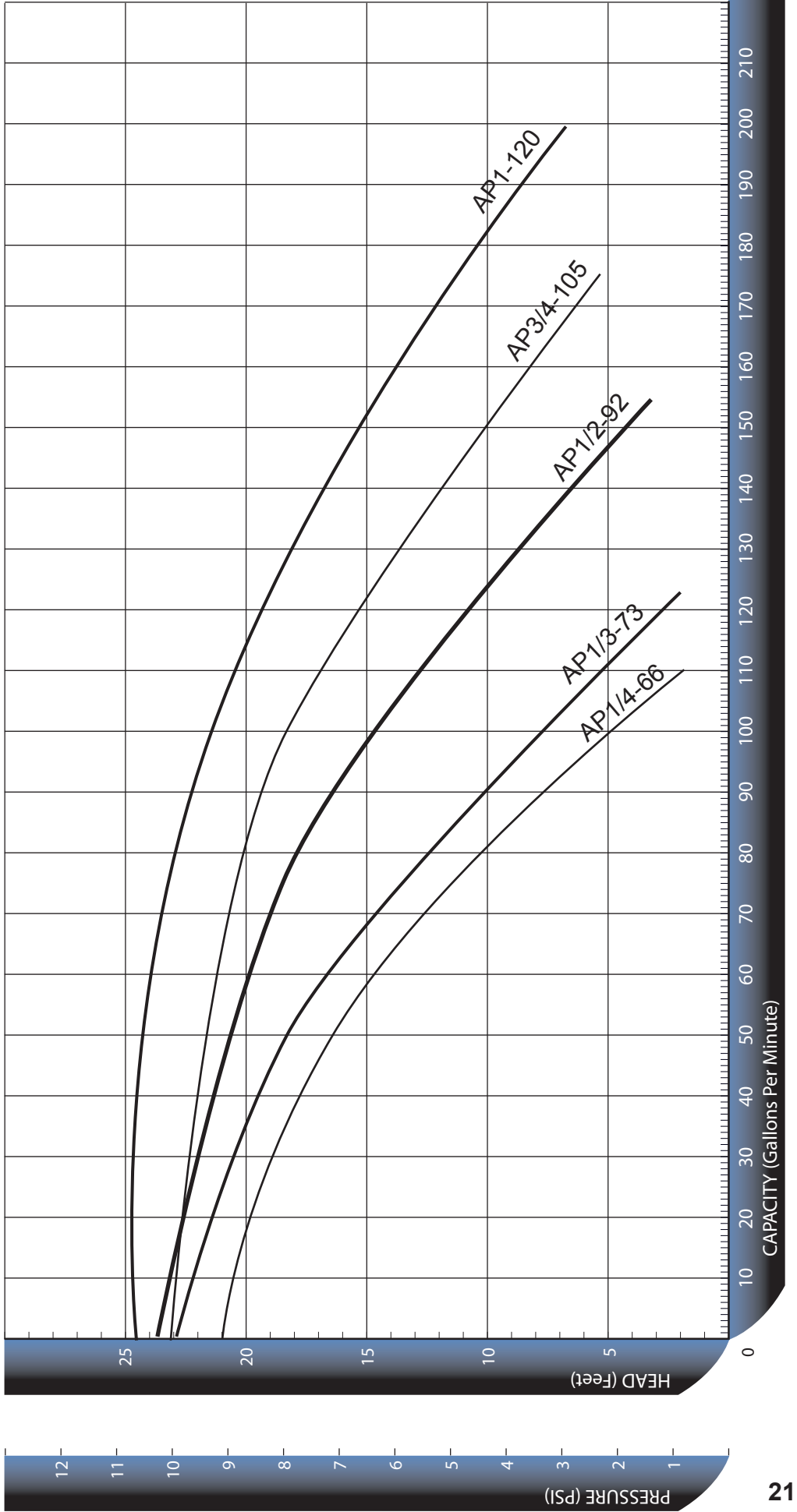
Made with care in the U.S.A.

* 115V available on special order only and amp draws will be higher.
 ** Watt and Amp draw ratings are typical, but can vary with different motors and operating voltages.

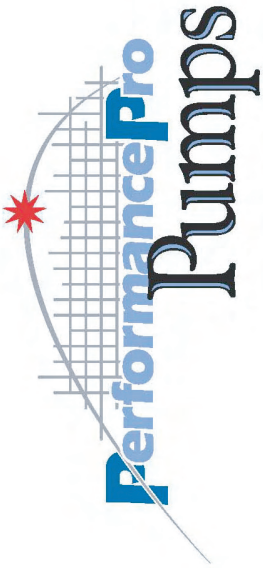


ArtesianPro Low RPM Curves
 Model: 1/4hp - 1hp RPM: 1725
 Date: 11/30/2010

For performance that's OFF THE CHARTS of ordinary pumps!

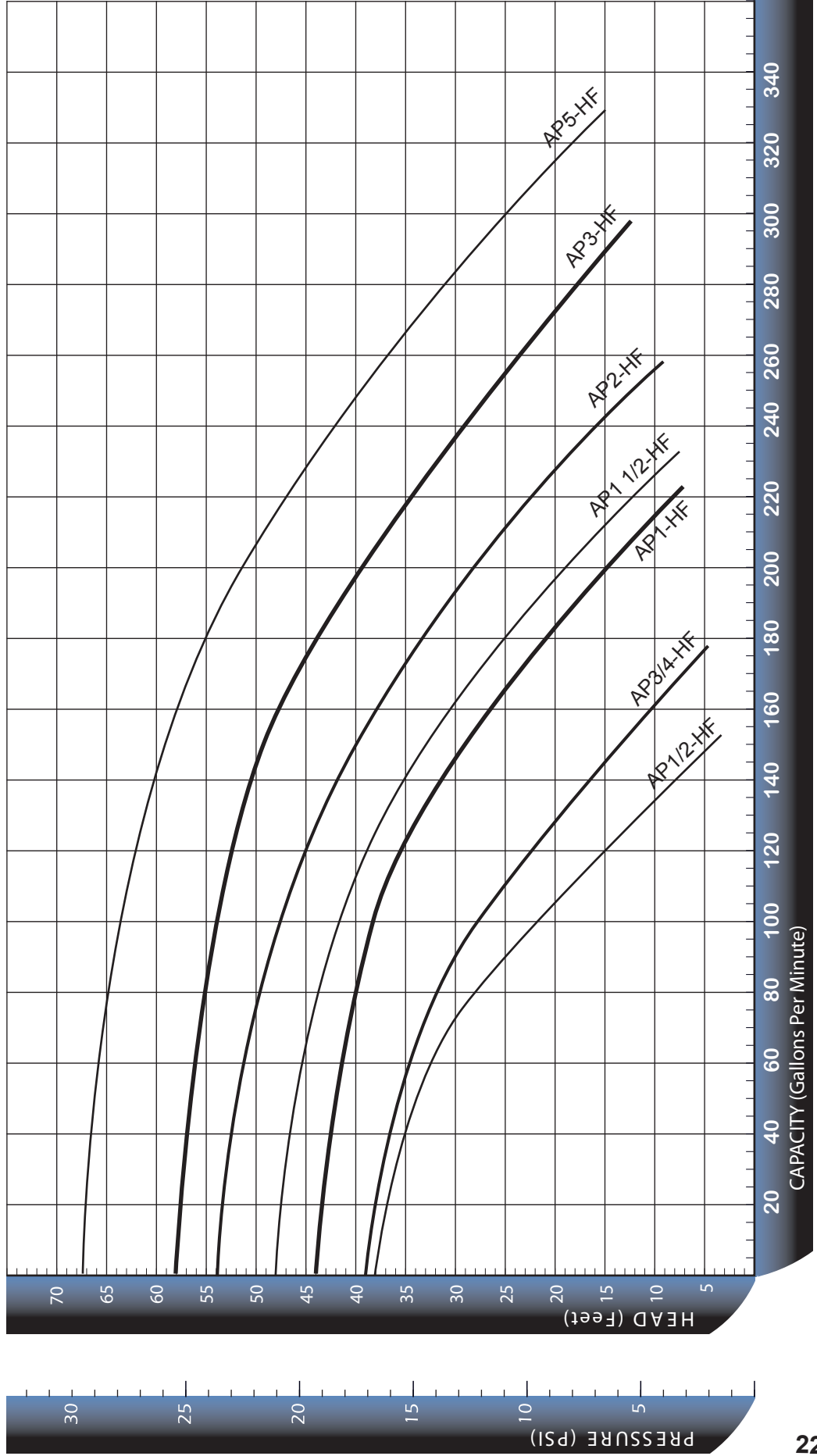


Ambient Clear Water SP GR 1.0



Model: ArtesianPro High Flow
 HP: 3/4 - 5 RPM: 3450
 Date: 11/30/2010

For performance that's OFF THE CHARTS of ordinary pumps!

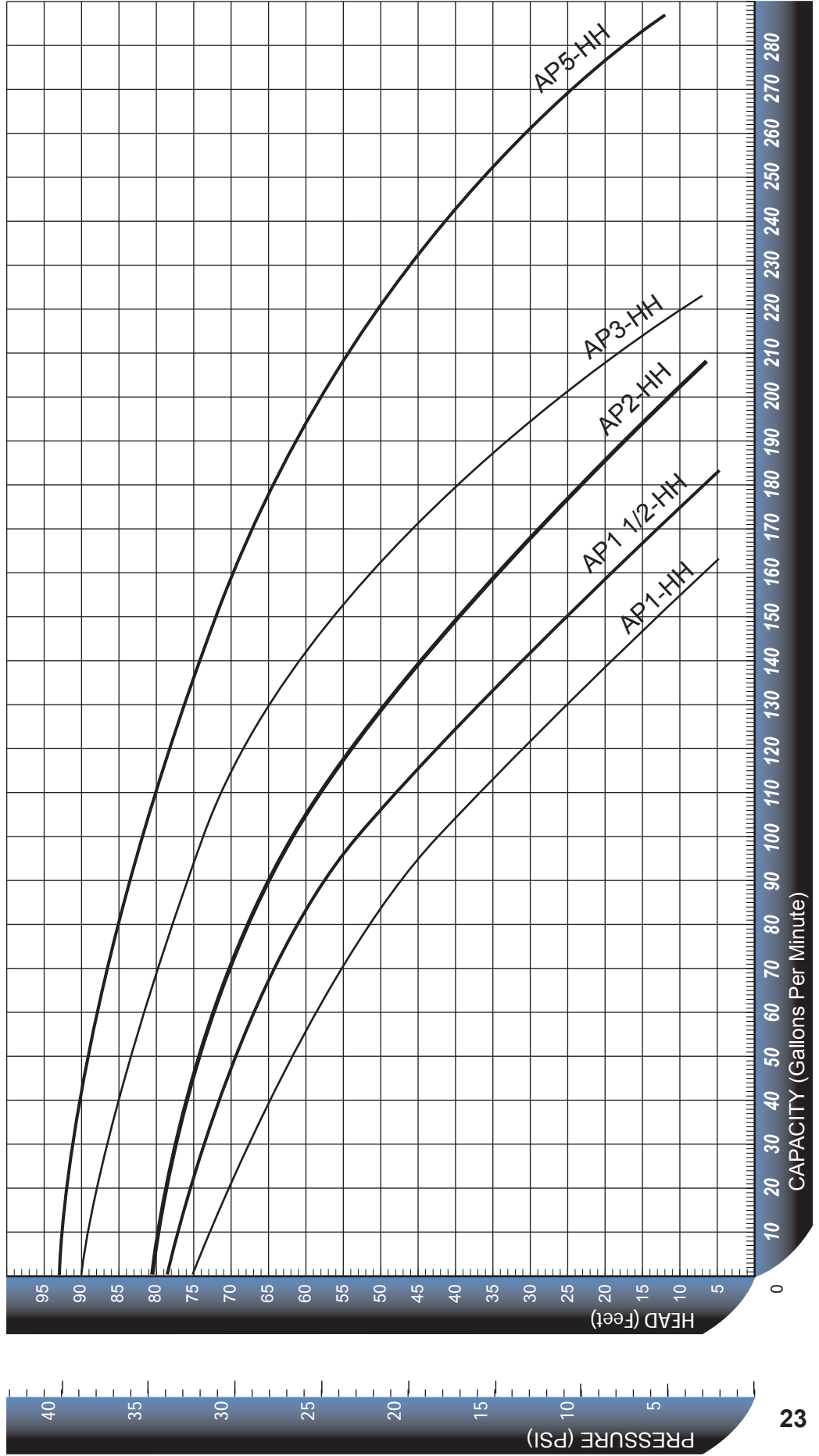


Ambient Clear Water SP GR 1.0



ArtesianPro High Head Curve
 Model: 1hp - 5hp RPM: 3450
 Date: 01/13/2010

For performance that's OFF THE CHARTS of ordinary pumps!



Pump & Motor Price List



Dial-A-Flow

MODEL	HP	TYPE	RPM	LIST PRICE
AP2.7-HF-DAF	0-2.7	1 Ø TEFC Motor 230V input to inverter	Variable	\$1,995.00
AP2.7-HH-DAF	0-2.7	1 Ø TEFC Motor 230V input to inverter	Variable	\$1,995.00

2" or 3" tailpiece options.

Options

OPTION	DESCRIPTION	LIST PRICE
Saltwater Kit	Includes PVC shaft sleeve and PTFE coated S.S. seal w/ SiC faces installed in pump.	\$91.00

Made with care in the U.S.A.

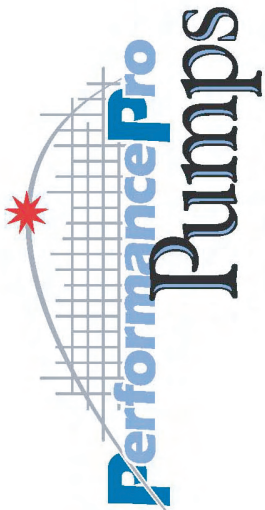
PerformancePro Artesian Pro Dial-A-Flow...

Get all the advantages of our high quality, self-priming, Artesian Pro pump line with the flexibility and convenience of an adjustable flow rate. Molded of corrosion-resistant polypropylene, Artesian Pro pumps are ideal for applications in which the pump is positioned above the water level. An easy-open transparent lid provides easy access to the integrated, large strainer basket.

- Low energy consumption, high efficiency pump and motor unit.
- Permanent magnet drive, three phase motor offers premium efficiency with totally enclosed fan cooled protection for maximum performance and reliability.
- Variable speed performance
- Integrated timer interface
- LCD Backlight Display
- Union fittings included. Available in 2" or 3".
- Option available to control speed remotely (accessories required)
- 18 month limited warranty (applies to Fresh water)
1 year limited warranty (applies to Salt water)
- Packaging/Handling fee: \$6.50 per unit

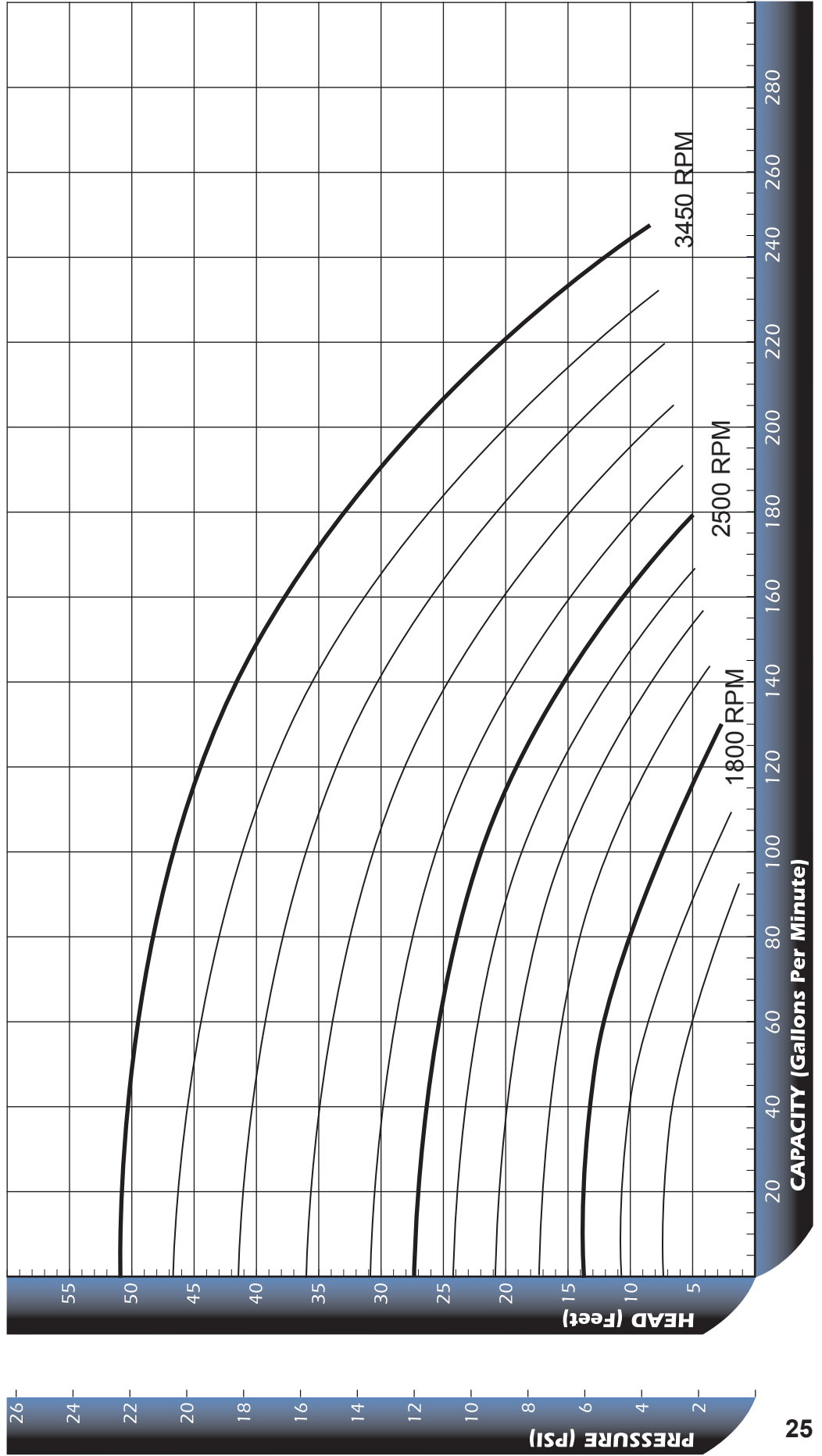
PerformancePro Pumps Inc.

5976 S.E. Alexander St., Suite F, Hillsboro, OR 97123
Phone: 503/356-5888 Fax: 503/356-1660
www.performancepropumps.com



ArtesianPro Dial-A-Flow
 Model: AP2.7-HF-DAF
 Date: 03/05/2012

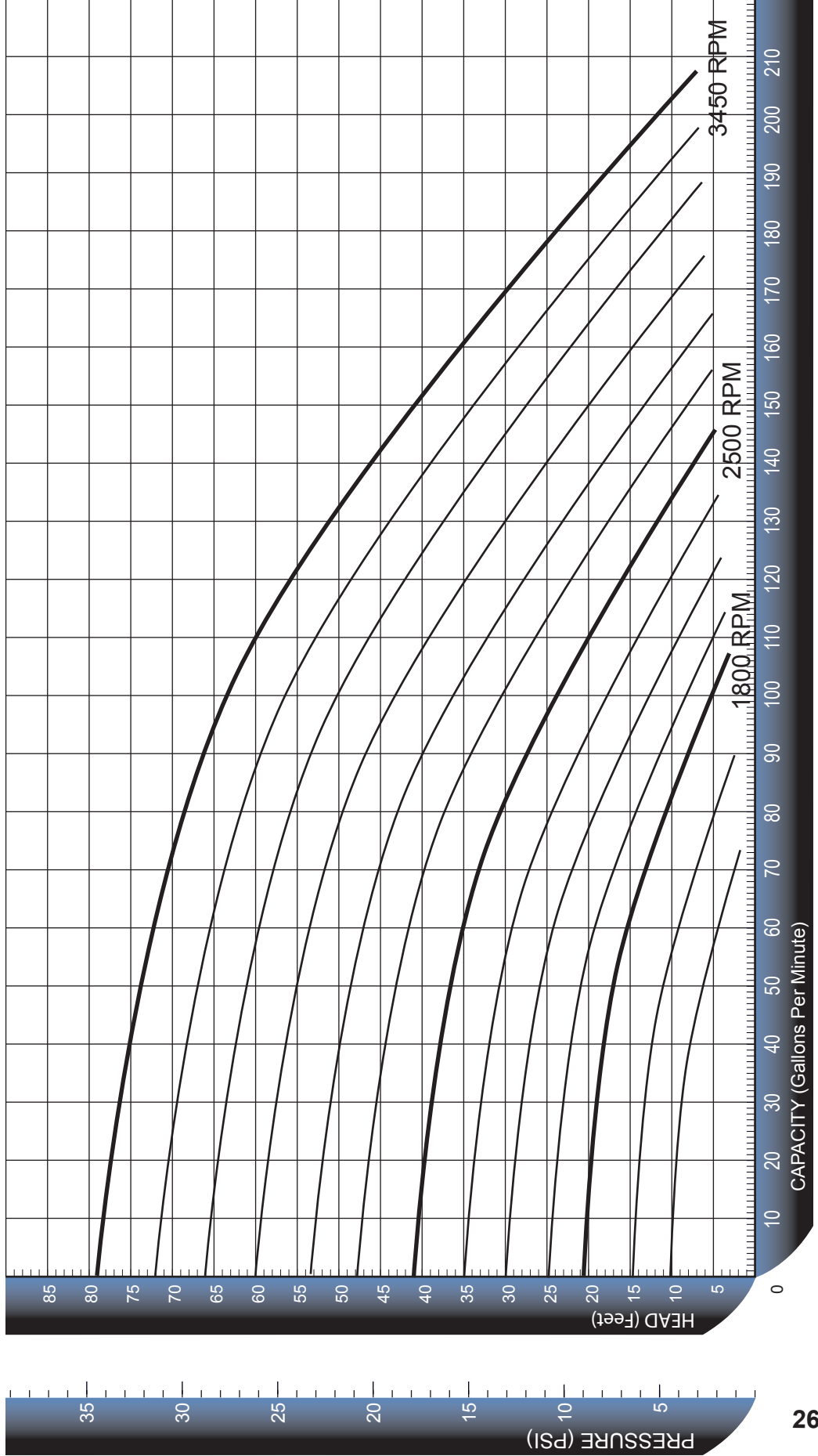
For performance that's OFF THE CHARTS of ordinary pumps!



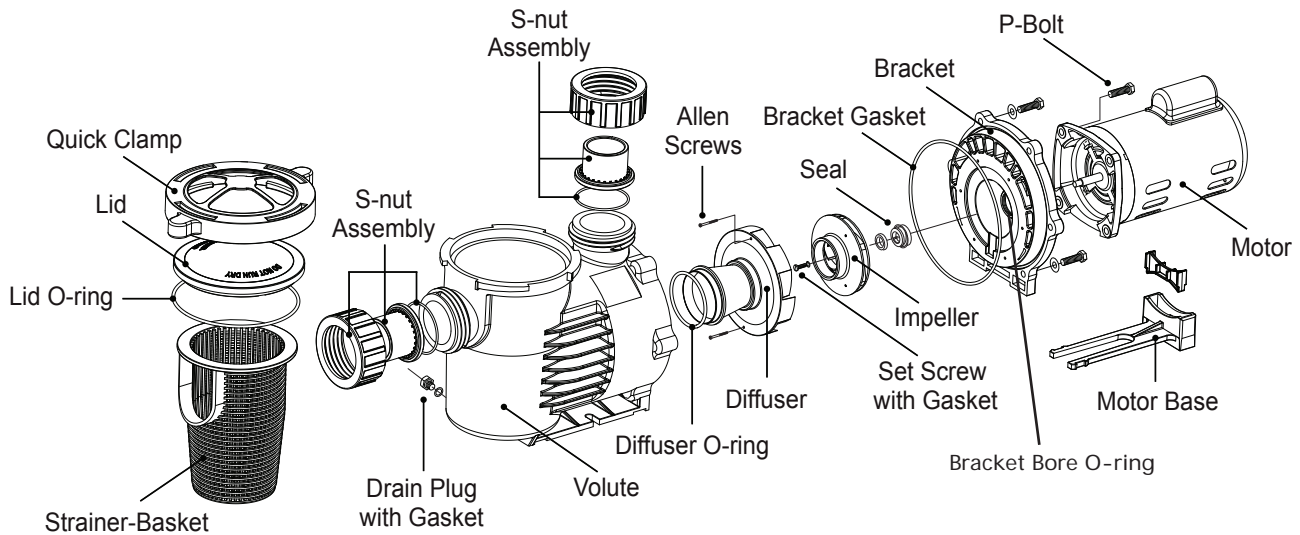


ArtesianPro Dial-A-Flow
 Model: AP2.7-HH-DAF
 Date: 11/08/2012

For performance that's OFF THE CHARTS of ordinary pumps!

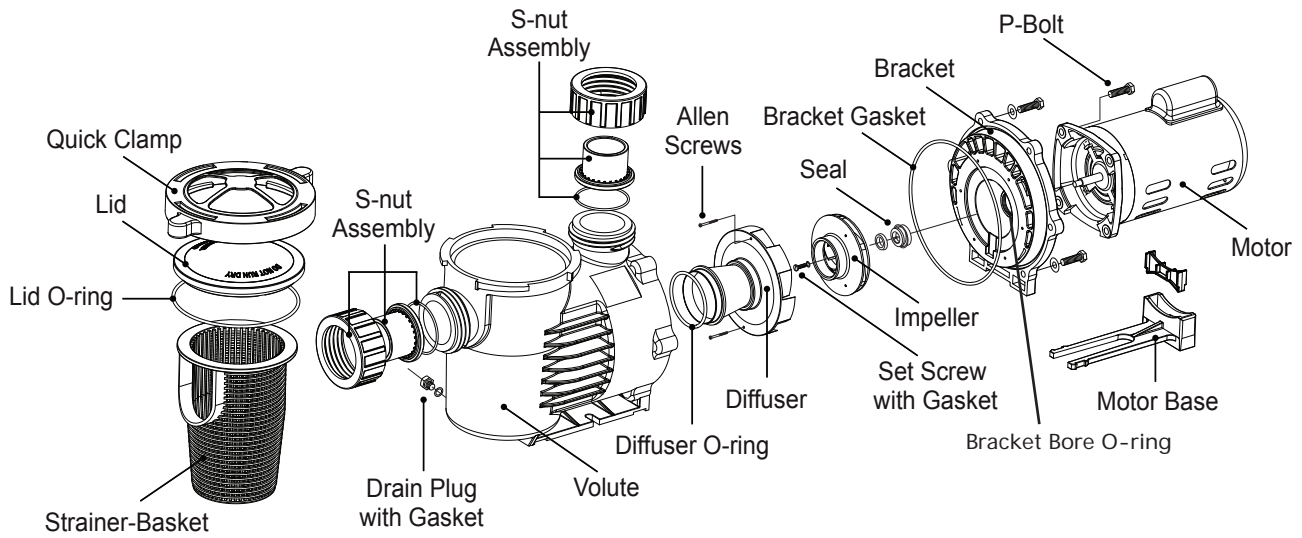


Parts Price List



ITEM	DESCRIPTION	PART NUMBER	LIST PRICE
Quick Clamp	Clamp Ring for Volute	APC-3-50	\$37.00
Lid	Lexan™ Lid for Volute	ALL-3-40	\$29.00
Lid O-Ring	O-Ring for Lexan™ Lid	ABL-3-30	\$10.00
Strainer Basket	Strainer Basket for Volute	APB-3-20	\$21.00
Volute	Volute Housing (Polypropylene)	APV-3-10	\$175.00
Diffuser O-Ring	O-Ring for Diffuser Nose	APD-06	\$9.75
Diffuser	Diffuser Regular Vane (for #4 - 7 Impellers)	APD-3-07	\$65.00
	Diffuser High Volume Vane (for #8 -10 Impellers)	APD-3-09	\$71.00
Set Screw with Gasket	Impeller Reverse Set Screw with Gasket	ASI-09	\$5.50
Impeller	Impeller for AP1/4-66 (#6)	ANI-3-64.92	\$95.00
	Impeller for AP1/3-73 (#7)	ANI-3-75.12	\$95.00
	Impeller for AP1/2-92 (#8)	ANI-3-85.12	\$95.00
	Impeller for AP3/4-105 (#9)	ANI-3-95.00	\$95.00
	Impeller for AP1-120 (#10)	ANI-3-105.00	\$95.00
	Impeller for AP1-HH (#4)	ANI-3-44.75	\$95.00
	Impeller for AP1 1/2-HH (#5)	ANI-3-54.85	\$95.00
	Impeller for AP2-HH (#6)	ANI-3-64.80	\$95.00
	Impeller for AP3-HH (#7)	ANI-3-75.12	\$95.00
	Impeller for AP1/2-HF (#6)	ANI-3-63.60	\$95.00
	Impeller or AP3/4-HF (#8)	ANI-3-83.80	\$95.00
	Impeller for AP1-HF (#9)	ANI-3-93.90	\$95.00
	Impeller for AP1 1/2-HF (#9)	ANI-3-94.05	\$95.00
	Impeller for AP2-HF (#9)	ANI-3-94.15	\$95.00
	Impeller for AP3-HF (#10)	ANI-3-104.20	\$95.00
	Impeller for AP5-HF (#10)	ANI-3-104.45	\$95.00

Parts Price List



ITEM	DESCRIPTION	PART NUMBER	LIST PRICE
Seal	316 Stainless Steel Carbon vs. Ceramic with Buna	MPS-513	\$31.50
	PTFE Coated S.S. with SIC Faces, Buna Trim	MPS-517	\$97.50
Bracket Gasket	Gasket for Bracket	APO-3-20	\$11.00
Bracket Bore O-ring	Bracket Bore O-ring	PNO-02	\$4.00
Bracket	Bracket (Polypropylene)	APS-3-30	\$90.00
Motor Base	Plastic Motor Base with Cradle	APF-3-10	\$31.00
Hardware	Stainless Steel Hardware Set	MPH-30	\$18.50
S-Nut Assembly	Quick Connects with 2" Fitting	MPF-3-200	\$14.50
	Quick Connects with 3" Fitting	MPF-3-300	\$17.00
Drain Plug	Polypropylene Drain Plug with Buna O-Ring (1)	PPD-10	\$3.00
Seal Kit	Includes (2) Drain plug O-rings, (1) Lid, Diffuser, Bracket & Bracket bore O-rings, (1) 513 Mechanical seal and (1) Reverse set screw washer.	AP-SK1	\$61.00



PerformancePro

Pumps

For performance that's
OFF THE CHART
of ordinary pumps!

The Cascade pump line from **PerformancePro** is an excellent end suction centrifugal pump designed for efficient service and long term use. They are ideally suited for flooded suction situations. When you need a strong, reliable and readily available external pump – think of the Cascade series.

For dependable money-saving performance that's way off the chart, you need PerformancePro.

Only gravity is more reliable!



PerformancePro

Cascade

Made with care in the U.S.A.

PerformancePro Pumps

Simply the best combination
of performance, reliability,
and energy savings!

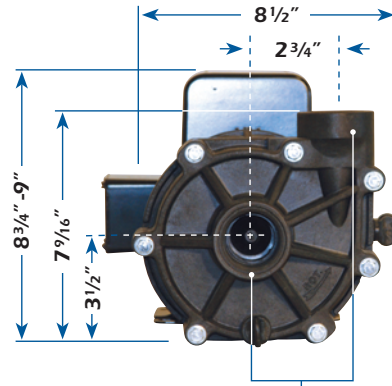
Features & Benefits

- ▶ Money saving high efficiency pump and motor units
- ▶ Ideally suited for flooded suction applications.
- ▶ Ready for hard wiring or an optional cord and plug
- ▶ Both pump and motor are designed for quiet operation
- ▶ Top-of-the-line motors. All 1725 rpm units are totally enclosed for excellent protection and reliability
- ▶ Saltwater Kit available

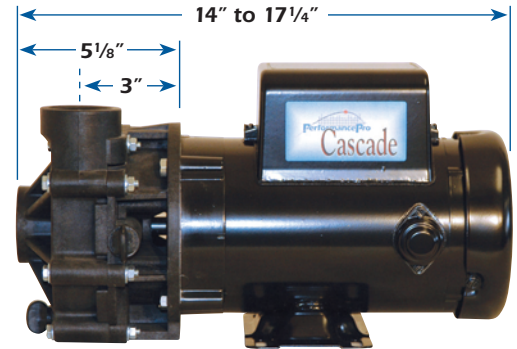
Cascade

The PerformancePro **Cascade** pump line is the perfect choice for efficiency and reliability. Ideal for your pond, water feature, or general transfer and recirculation needs. Cascade pumps produce excellent flow rates at sufficient pressure (head) to get the job done. Industrial grade Noryl® and polypropylene housings are built for long-term use. They offer good corrosion and abrasion resistance. A strainer pot may be attached to facilitate priming and to strain the inflow. Low rpm (1725) units are available in 1/8th to 1/4 hp. These give great flow rates and use minimal electricity. High rpm (3450) are available in 1/3rd to 3 hp. They provide excellent flow rates at good pressures.

PerformancePro Pumps are easy to install, inexpensive to operate, and a joy to own.



1 1/2" NPT suction/discharge



	MODEL	HP	TYPE	RPM	VOLTAGE	HZ.	MAX WATTS*	WATTS @ MAX HEAD*	WATTS @ MAX FLOW*
Low RPM	C 1/8-22	1/8	10 TEFC	1725	115/230	50/60	120	114 @ 16 ft.	123 @ 2200 GPH @ 4'
	C 1/8-26	1/8	10 TEFC	1725	115/230	50/60	159	127 @ 20 ft.	142 @ 2616 GPH @ 4'
	C 1/8-36	1/8	10 TEFC	1725	115/230	50/60	186	108 @ 16 ft.	187 @ 3612 GPH @ 7.5'
	C 1/4-44	1/4	10 TEFC	1725	115/230	50/60	289	195 @ 22 ft.	297 @ 4404 GPH @ 10'
	C 1/4-49	1/4	10 TEFC	1725	115/230	50/60	367	200 @ 23 ft.	320 @ 4944 GPH @ 13'

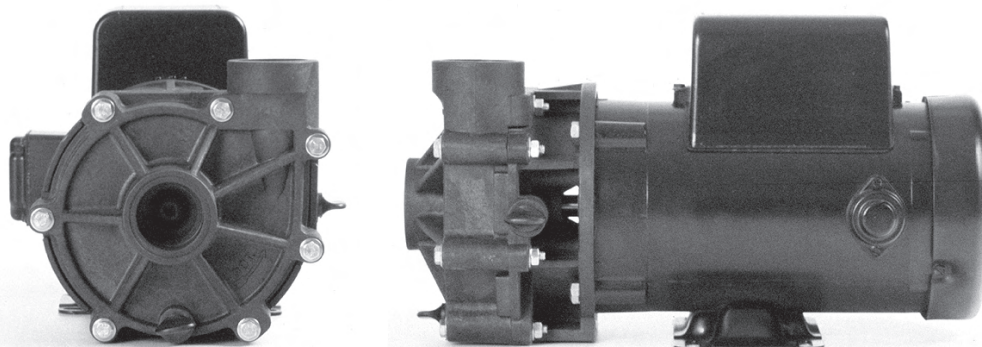
	MODEL	HP	TYPE	RPM	VOLTAGE	HZ.	MAX AMPS*	AMPS (@ 230 volt) MAX HEAD*	AMPS (@ 230 volt) MAX FLOW*
High RPM	C 1/3	1/3	10 ODP	3450	115/230	60	4.0	3.42 @ 56 ft.	3.62 @ 2370 GPH @ 3'
	C 1/2	1/2	10 ODP	3450	115/230	60	3.4	2.78 @ 71 ft.	2.70 @ 3570 GPH @ 7'
	C 3/4	3/4	10 ODP	3450	115/230	60	4.3	3.34 @ 79 ft.	3.37 @ 4818 GPH @ 12'
	C 1	1	10 ODP	3450	115/230	60	5.7	6.89 @ 81 ft.	4.30 @ 6240 GPH @ 11'
	C 1.5	1 1/2	10 ODP	3450	115/230	60	6.0	3.61 @ 80 ft.	5.05 @ 6720 GPH @ 16'
	C 2	2	10 ODP	3450	115/230	60	8.6	4.31 @ 86 ft.	8.39 @ 8640 GPH @ 21'

* Watt and Amp ratings are typical, but can vary with different motors and operating voltages

For More Information, give us a call or visit us on the Web:

503.356.5888
www.performancepropumps.com

Pump & Motor Price List



Cascade Low RPM

MODEL	HP	MOTOR TYPE	RPM	LIST PRICE
C 1/8-22	1/8	1Ø TEFC	1725	\$409.00
C 1/8-26	1/8	1ØTEFC	1725	\$427.50
C 1/8-36	1/8	1Ø TEFC	1725	\$451.00
C 1/4-44	1/4	1Ø TEFC	1725	\$495.50
C 1/4-49	1/4	1Ø TEFC	1725	\$512.00

Cascade High RPM

MODEL	HP	TYPE	RPM	LIST PRICE
C 1/3	1/3	1Ø ODP	3450	\$427.50
C 1/2	1/2	1Ø ODP	3450	\$457.50
C 1/2E	1/2	1Ø TEFC	3450	\$520.00
C 3/4	3/4	1Ø ODP	3450	\$495.50
C 3/4E	3/4	1Ø TEFC	3450	\$557.00
C 1	1	1Ø ODP	3450	\$543.00
C 1E	1	1Ø TEFC	3450	\$599.00
C 1 1/2	1 1/2	1Ø ODP	3450	\$628.50
C 2	2	1Ø ODP	3450	\$732.50

PerformancePro Cascade...

is a high efficiency, industrial grade pump. Ideal for ponds, water features, general transfer and recirculation applications. Cascade pumps produce excellent flow rates at sustainable pressure (head) to provide outstanding performance. The industrial grade polypropylene housing is built for long term use. A strainer pot may be attached to facilitate priming in a suction lift application and strain debris from the inflow. Available in 1/8 to 1/4 hp @ 1725 rpm and 1/3 to 2 hp at 3450 rpm.

- Cost effective and highly efficient.
- Long life, corrosion resistant, 316 Stainless Steel shaft seals.
- Pump performance can be easily altered with multiple impeller interchangeability options.
- Top-of-the-line motors. All 1725 rpm units are totally enclosed for excellent protection and long term reliability.
- Both pump ends and motors are designed for quiet operation.
- External out of water pumps help protect your investment from potentially dangerous oil leaks and electrical hazards.
- 3 year limited warranty (for fresh water applications).

* Packaging/Handling fee: \$4.50 per unit

Made with care in the U.S.A.

Options

OPTION	DESCRIPTION	LIST PRICE
MPP-10	Strainer Pot & Basket w/ 1 1/2" NPT	\$83.50
MPP-20	Strainer Pot & Basket w/ 2" NPT	\$83.50
Saltwater Kit	Includes PTFE coated S.S. seal w/ SiC faces, PVC shaft sleeve & S.S. hardware.	\$112.00
S.S. Hardware	Stainless Steel Hardware	\$18.50
Cord & Plug	16 AWG, 8 ft. Cord, 115V plug (1725 rpm, 1/4HP max.)	\$13.50
Cord & Plug	12 AWG, 8 ft. Cord, 115V plug (3450 rpm, 1HP max.)	\$20.00
Shaft Sleeve	PVC shaft sleeve installed	\$14.00



Strainer Pot

PerformancePro Pumps Inc.

For performance that's **OFF THE CHART** of ordinary pumps!

Specifications

Cascade Low RPM

MODEL	HP	TYPE	RPM	VOLTAGE	HZ.	MAX WATTS	WATTS @ MAX HEAD*	WATTS @ MAX FLOW*	LIST PRICE
C 1/8-22	1/8	1Ø TEFC	1725	115/230	50/60	144	121 @ 16 ft.	124 @ 2100 GPH @ 2'	\$409.00
C 1/8-26	1/8	1Ø TEFC	1725	115/230	50/60	167	137 @ 19 ft.	139 @ 2460 GPH @ 2'	\$427.50
C 1/8-36	1/8	1Ø TEFC	1725	115/230	50/60	207	113 @ 15 ft.	186 @ 3600 GPH @ 4'	\$451.00
C 1/4-44	1/4	1Ø TEFC	1725	115/230	50/60	290	180 @ 22 ft.	290 @ 4320 GPH @ 6'	\$495.50
C 1/4-49	1/4	1Ø TEFC	1725	115/230	50/60	360	190 @ 23 ft.	330 @ 4800 GPH @ 8'	\$512.00

Cascade High RPM

MODEL	HP	TYPE	RPM	VOLTAGE	HZ.	MAX AMPS	AMPS @ 230V MAX HEAD*	AMPS @ 230V MAX FLOW*	LIST PRICE
C1/3	1/3	1Ø ODP	3450	115/230	60	4.0	3.42 @ 56 ft.	3.62 @ 2370 GPH @ 3'	\$427.50
C1/2	1/2	1Ø ODP	3450	115/230	60	3.4	2.78 @ 71 ft.	2.70 @ 3570 GPH @ 7'	\$457.50
C3/4	3/4	1Ø ODP	3450	115/230	60	4.3	3.34 @ 79 ft.	3.37 @ 4818 GPH @ 12'	\$495.50
C1	1	1Ø ODP	3450	115/230	60	11.4	6.89 @ 81 ft.	4.30 @ 6240 GPH @ 11'	\$543.00
C1.5	1 1/2	1Ø ODP	3450	115/230	60	6.0	3.61 @ 80 ft.	5.05 @ 6720 GPH @ 16'	\$628.50
C 2	2	1Ø ODP	3450	115/230	60	8.6	4.31 @ 86 ft.	8.39 @ 8640 GPH @ 21'	\$732.50

* Watt and Amp draw ratings are typical, but can vary with different motors and operating voltages.

Features & Options

- * Corrosion resistant pump housing.
- * Designed to operate at any point on specified performance curve.
- * 1 1/2" female NPT suction and discharge ports.
- * All 1725 RPM motors are enclosed for extra protection and long life.
- * A 16 AWG, 8 ft. cord with 115 volt plug is optional. (1725 rpm, 1/3HP max.)
- * A 12 AWG, 8 ft. cord with 115 volt plug is optional. (3450 rpm, 1HP max.)
- * 316 series stainless steel shaft seal.
- * Salt water kits available for an additional \$112.00.
- * A \$4.50 handling & packaging fee applies to each unit.
- * 3 year limited warranty for fresh water applications.
- * 1 year limited warranty for salt water applications.

Made with care in the U.S.A.

PerformancePro Pumps Inc.

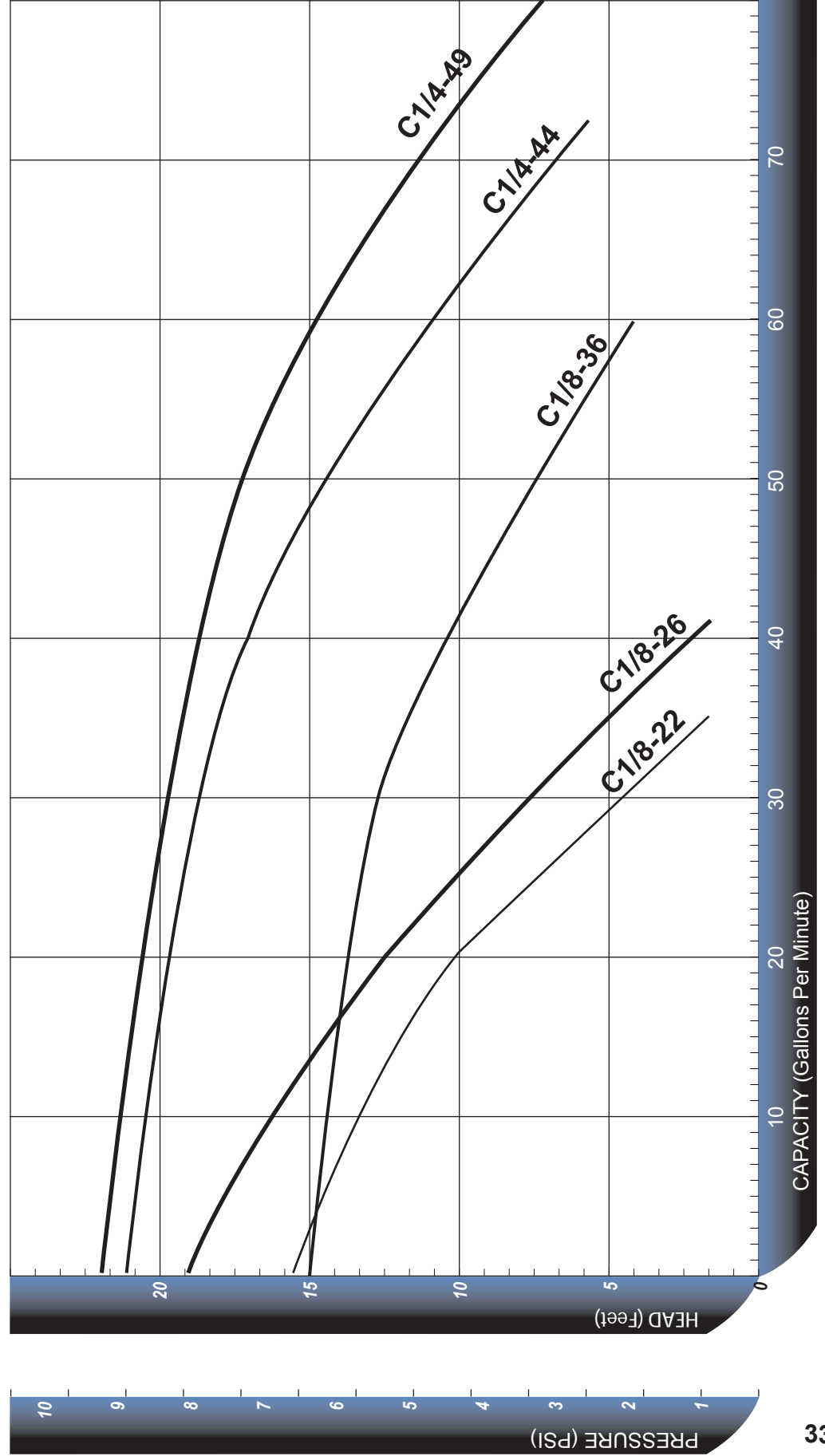
Effective Date: January 01, 2015

5976 S.E. Alexander Street, Suite F, Hillsboro, Oregon 97123
 Phone: 503/356-5888 Fax: 503/356-1660
 www.performancepropumps.com



Model: Cascade
 Impeller: Various
 Horsepower: 1/8-1/4 RPM: 1725
 Date: 12/12/2011

For performance that's OFF THE CHARTS of ordinary pumps!

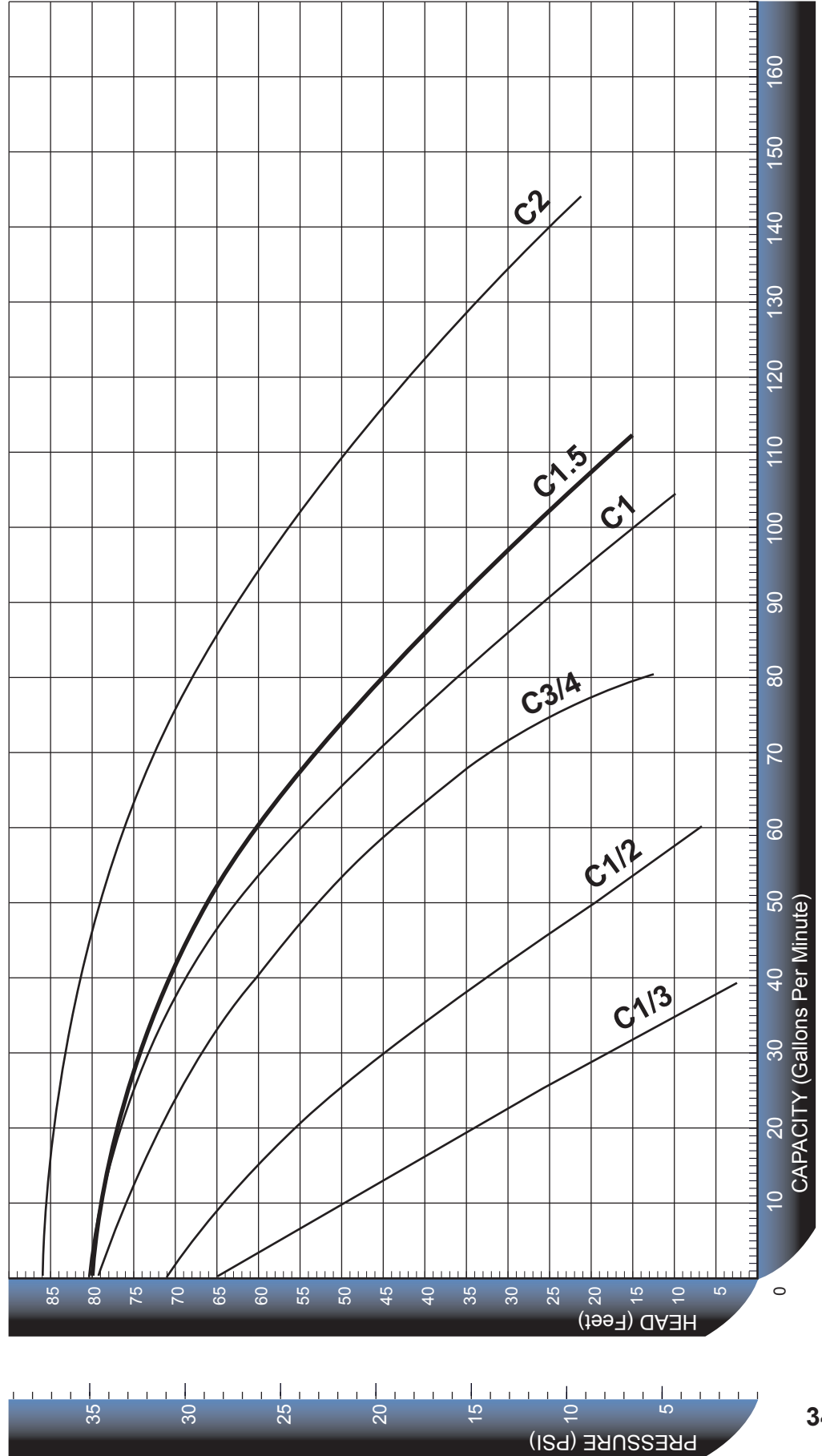


Ambient Clear Water SP GR 1.0



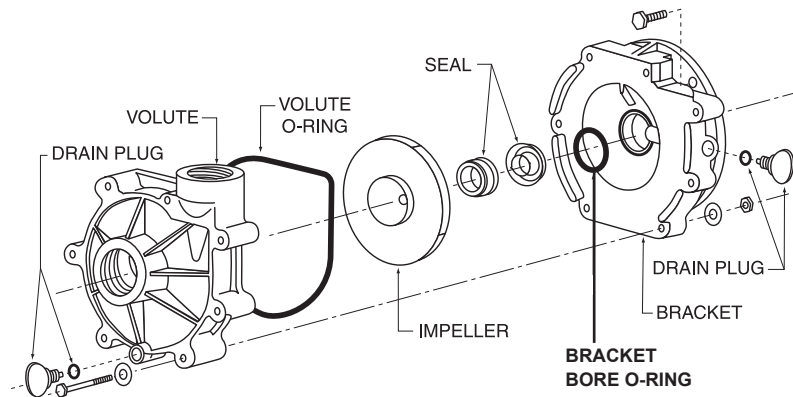
Model: Cascade
 Impeller: Various RPM: 3450
 Horsepower: 1/3 - 2
 Date: 12/3/2010

For performance that's OFF THE CHARTS of ordinary pumps!



Ambient Clear Water SP GR 1.0

Parts Price List



ITEM	DESCRIPTION	PART NUMBER	LIST PRICE
Volute	Volute (Front Housing in Noryl)	PNV-15	\$87.50
	Volute (Front Housing in Polypropylene)	PPV-15	\$87.50
Volute O-Ring	Volute O-Ring - Buna	PVO-10	\$11.00
Impeller	Impeller for C1/8-22 (#3)	PNI-34.26	\$86.50
	Impeller for C1/8-36 (#6)	PNI-64.09	\$86.50
	Impeller for 1/3 HP, 3450 RPM (#1)	PNI-14.80	\$79.00
	Impeller for 1/2 HP, 3450 RPM (#2)	PNI-24.80	\$79.00
	Impeller for 3/4 HP, 3450 RPM and C1/8-26 (#3)	PNI-34.80	\$79.00
	Impeller for 1 HP, 3450 RPM (#4)	PNI-44.80	\$79.00
	Impeller for 1 1/2 HP, 3450 RPM (#5)	PNI-54.80	\$79.00
	Impeller for 2 HP, 3450 RPM and C1/4-44 (#6)	PNI-64.80	\$79.00
	Impeller for 3 HP, 3450 RPM and C1/4-49 (#7)	PNI-74.80	\$80.00
	Seal	316 Stainless Steel Shaft Seal - Carbon vs. Ceramic with Buna	MPS-513
PTFE Coated S.S. with SIC & Buna		MPS-517	\$97.50
Bracket	Bracket (Rear Housing in Noryl)	PNB-10	\$80.00
	Bracket (Rear Housing in Polypropylene)	PPB-15	\$80.00
Drain Plug	Noryl Drain Plug with O-Ring (1)	PND-20	\$3.50
	Polypropylene Drain Plug with O-Ring (1)	PPD-10	\$3.00
Hardware	Set of Plated Hardware (includes M-Bolts, P-Bolts, Washers and Nuts)	MPH-10	\$11.00
	Set of Stainless Steel Hardware (includes M-Bolts, P-Bolts, Washers and Nuts)	MPH-20	\$18.50
Bracket O-Ring	Bracket Bore O-Ring	PNO-02	\$4.00
Seal Kit	Includes (2) Drain plug O-rings, (1) Bracket & Bracket bore O-rings, (1) 513 Mechanical seal	C-SK1	\$43.00

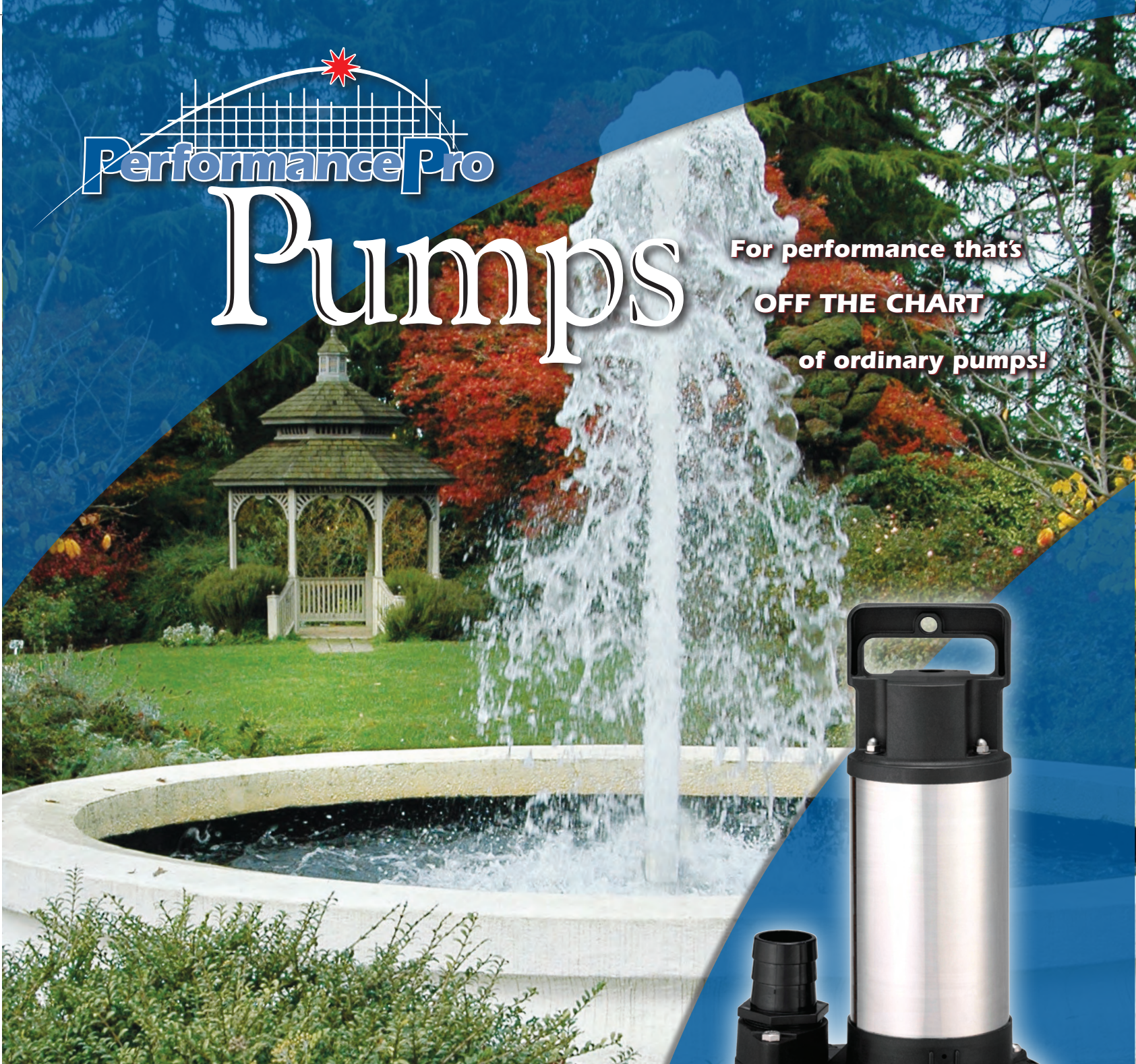
NOTES



PerformancePro

Pumps

For performance that's
OFF THE CHART
of ordinary pumps!



PerformancePro Pumps continues to bring you top quality products and unmatched service. Whether your needs are residential or industrial, we guarantee each of our systems to be unsurpassed in efficiency, performance, and reliable operation. We stand behind all of our products with the expertise gained from more than twenty-five years in the pump technology industry. Compared to the competition, PerformancePro Pumps are off the charts!

PerformancePro
WellSpring

PerformancePro Pumps

Simply the best combination
of performance, reliability,
and energy savings!

Features & Benefits

- ▶ Semi-open impeller design helps prevent clogging – waterproof cable and seals protect motor
- ▶ Overload protection helps prevent motor burn out
- ▶ Stainless Steel and plastic part design protects against corrosion
- ▶ Float switch available for automatic start/stops
- ▶ Spring loaded mechanical seal meets API regulations – life expectancy of more than 100,000 hours
- ▶ 20 ft. cord (16 AWG) with 115 volt plug (WS1/4-33, WS1/3-44, WS1/2-58, WS1-66)
- ▶ 2 year limited warranty

WellSpring

The PerformancePro WellSpring

is a submersible pump line that is designed for easy in-pond, skimmer, or sump installation. The high quality components and durable construction ensure efficient operation and long term reliability. PerformancePro WellSpring pumps are available in popular sizes from 1/4 to 1 horsepower.

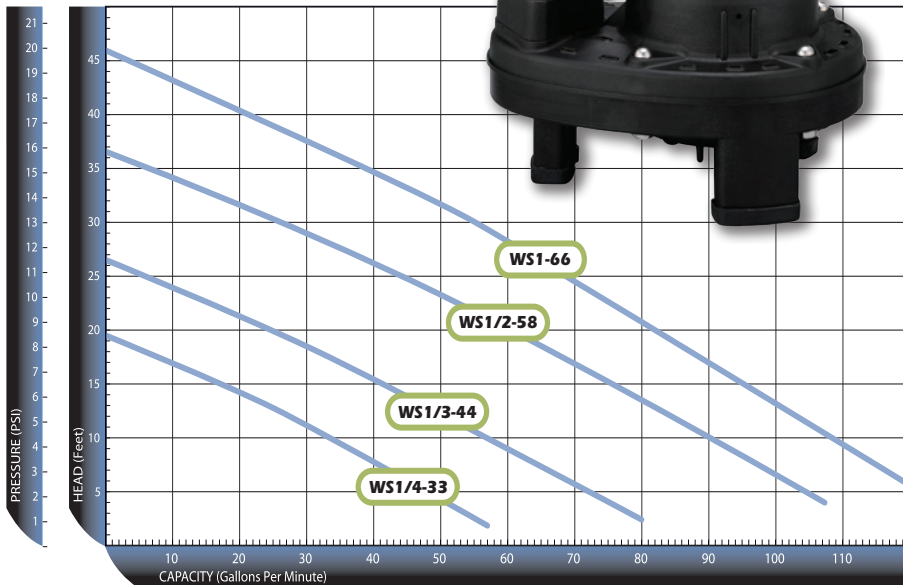


WS1/4-33

WS1/3-44

WS1/2-58

WS1-66



Ambient Clear Water SP GR 1.0

Pump Specifications

MODEL	PORT SIZE	ADAPTER (INCLUDED)
WS1/4-33	2" Female Threaded	2" Barbed
WS1/3-44	2" Female Threaded	2" Barbed
WS1/2-58	2" Female Threaded	2" Barbed
WS1-66	2" Female Threaded	2" Barbed

Motor Specifications

MODEL	HP	FLA	VOLTAGE	MAX. WATTS	HZ.
WS1/4-33	1/4	3.5	120	375	60
WS1/3-44	1/3	4.6	120	538	60
WS1/2-58	1/2	7.1	120	840	60
WS1-66	1	10.1	120	1170	60

Performance

MODEL	MAX. HEAD	MID POINT FLOW	MAX. FLOW
WS1/4-33	19 ft.	1500 GPH @ 14'	3420 GPH @ 1'
WS1/3-44	27 ft.	2700 GPH @ 13'	4800 GPH @ 3'
WS1/2-58	38 ft.	3000 GPH @ 23'	6420 GPH @ 4'
WS1-66	46 ft.	3300 GPH @ 28'	7260 GPH @ 5'

Dimensions

MODEL	CORD LENGTH	TOTAL HEIGHT	BASE LENGTH	BASE WIDTH
WS1/4-33	20'	15.25"	9.5"	7"
WS1/3-44	20'	16"	9.5"	7"
WS1/2-58	20'	17"	9.5"	7"
WS1-66	20'	17.5"	9.5"	7"

Data is subject to change.

Easy to install. Inexpensive to operate. A joy to own.

For More Information, give us a call or visit us on the Web:

503.356.5888
www.performancepropumps.com

Pump & Motor Price List



WellSpring

MODEL	HP	MOTOR TYPE	VOLTAGE	LIST PRICE
WS1/4-33	1/4	1Ø	115	\$344.00
WS1/3-44	1/3	1Ø	115	\$404.00
WS1/2-58	1/2	1Ø	115	\$473.00
WS1-66	1	1Ø	115	\$557.00

PerformancePro WellSpring...

submersible pump line is designed for easy in-pond, skimmer or sump installation. The high quality components and durable construction ensure efficient operation and long term reliability.

Currently available in 1/4 to 1 horsepower sizes.

- The semi-open impeller design aids to prevent clogging. Waterproof cable and seals protect the pump motor.
- Overload protection helps prevent motor burn out.
- Integrated spring loaded mechanical seal meets API regulations and has a life expectancy of over 100,000 hours.
- 20 ft. long (16 AWG) cord with a 115 volt plug included.
- 2 year limited warranty (for fresh water applications).
- Float switch is available for automatic start/stops.

Options

OPTION	DESCRIPTION	LIST PRICE
Float Switch	Automatic Shut-off	\$46.50

PerformancePro Pumps Inc.

5976 S.E. Alexander St., Suite F, Hillsboro, OR 97123
 Phone: 503/356-5888 Fax: 503/356-1660
 www.performancepropumps.com



For performance that's **OFF THE CHART** of ordinary pumps!

Specifications

Wellspring

MODEL	HP	TYPE	FLA	VOLTAGE	HZ.	WATTS @ MAX. HEAD*	WATTS @ MAX. FLOW*	MAX WATTS*	LIST PRICE
WS1/4-33	1/4	1Ø	3.5	120	60	327 @ 20 ft.	360 @ 3420 GPH @ 1'	375	\$344.00
WS1/3-44	1/3	1Ø	4.6	120	60	371 @ 27 ft.	536 @ 4800 GPH @ 3'	538	\$404.00
WS1/2-58	1/2	1Ø	7.1	120	60	540 @ 38 ft.	840 @ 6420 GPH @ 4'	840	\$473.00
WS1-66	1	1Ø	10.1	120	60	650 @ 46 ft.	1150 @ 7260 GPH @ 5'	1170	\$557.00

* Ratings are the maximum true watts measured at 120 volts plus or minus .6 volts.

Features & Options

- Designed to operate at any point on specified performance curve.
- Minimum recommended continuous flow rate of one gallon per minute.
- 16 AWG, 20 ft. cord with 115 volt plug included.
- 2 year limited warranty (for fresh water applications only).

MODEL	PORT SIZE	Adapter (Included)
WS1/4-33	2" Female Thread	2" Barbed
WS1/3-44	2" Female Thread	2" Barbed
WS1/2-58	2" Female Thread	2" Barbed
WS1-66	2" Female Thread	2" Barbed

PerformancePro Pumps Inc.

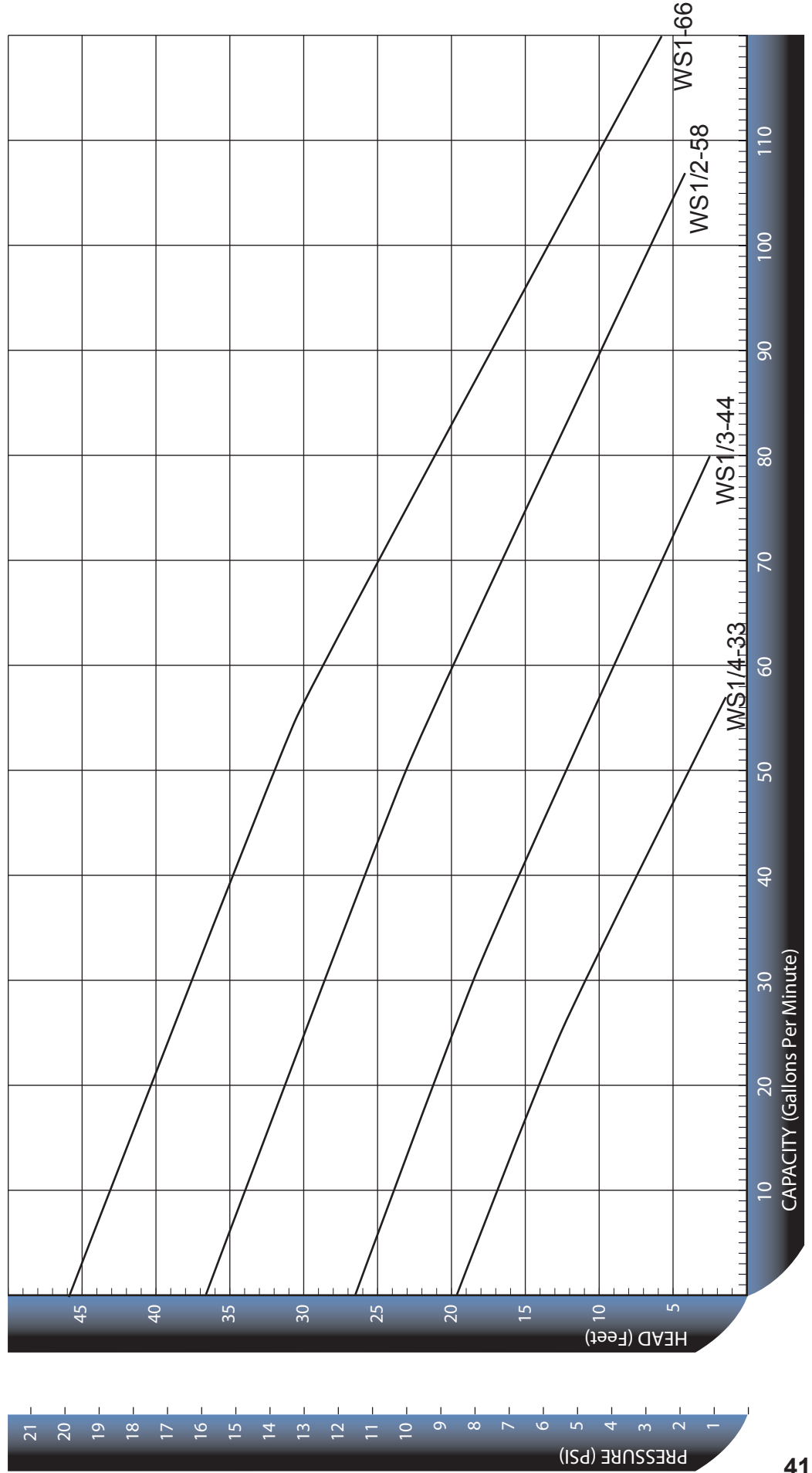
Effective Date: January 1, 2015

5976 S.E. Alexander St., Suite F. Hillsboro, Oregon 97123
 Phone: 503/356-5888 Fax: 503/356-1660
 www.performancepropumps.com



Pump Model: WellSpring
 Impeller: Various
 Horsepower: 1/4-1
 Date: 2/01/2010

For performance that's OFF THE CHARTS of ordinary pumps!



NOTES





PerformancePro

Pumps

For performance that's
OFF THE CHART
of ordinary pumps!

PARTS

AND

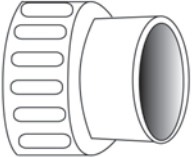
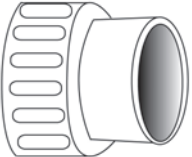
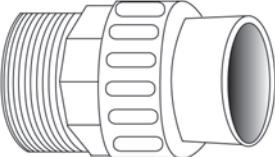
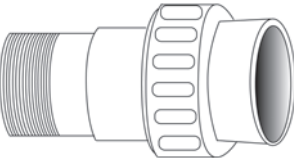
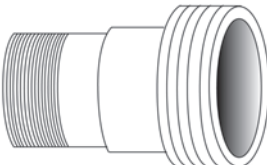
FITTINGS

PerformancePro Pumps continues to bring you top quality products and unmatched service. Whether your needs are residential or industrial, we guarantee each of our systems to be unsurpassed in efficiency, performance, and reliable operation. We stand behind all of our products with the expertise gained from more than twenty-five years in the pump technology industry. Compared to the competition, PerformancePro Pumps are off the charts!

NOTES



Fittings

	DESCRIPTION	PART NUMBER	LIST PRICE
	Artesian2 Quick Connect Union Fitting 2" Artesian2 Quick Connect Fitting 2" S Tailpiece only 2" O-Ring only 2" Union Nut only	MPF-2-200 AVT-2-20 ATO-2-20 AVN-2-20	\$14.50 \$6.50 \$1.00 \$10.00
	ArtesianPro Quick Connect Union Fitting 2" ArtesianPro Quick Connect Union Fitting 2" ArtesianPro S Tailpiece only 2" ArtesianPro O-Ring only 3" ArtesianPro Quick Connect Union Fitting 3" ArtesianPro S Tailpiece only 3" ArtesianPro O-Ring only 3" Union Nut only (For 2" and 3" Fittings)	MPF-3-200 AVT-3-20 ATO-3-10 MPF-3-300 AVT-3-30 ATO-3-30 AVN-3-10	\$14.50 \$11.50 \$1.50 \$17.00 \$12.00 \$1.50 \$10.00
	Artesian Classic Quick Connect Union Fitting 2" S Union, 2" Threaded Tail Piece, Gasket with O-Ring Rib (Includes MPF-211 & MPF-212)	MPF-210	\$14.50
	Cascade Quick Connect Union Fitting 2" S Union, 1-1/2" Threaded Tail Piece, Gasket with O-Ring Rib	MPF-215	\$17.50
	1-1/2" Tail Piece 2" Buttress Threaded x 1-1/2" NPT Tail Piece	MPF-112	\$8.75

PerformancePro Pumps Inc.

Fittings

	DESCRIPTION	PART NUMBER	LIST PRICE
	2" Threaded Tail Piece	MPF-211	\$5.00
	2" Union Nut, 2" S Tail Piece, Gasket with O-Ring Rib	MPF-212	\$10.00
	2" Sweep Elbow <i>2" Union Nut with 2" S Sweep 90 Degree Elbow Tailpiece</i>	MPSE-2020	\$10.00
	Swing Check Valve (White) <i>1 1/2" SxS PVC Swing Check Valve</i> <i>2" SxS PVC Swing Check Valve</i> <i>3" SxS PVC Swing Check Valve</i> <i>4" SxS PVC Swing Check Valve</i>	MPCV-15 MPCV-20 MPCV-30 MPCV-40	\$23.25 \$31.50 \$54.75 \$96.50
	Swing Check Valve (Clear) <i>1 1/2" SxS PVC Swing Check Valve</i> <i>2" SxS PVC Swing Check Valve</i> <i>3" SxS PVC Swing Check Valve</i>	MPCV-15C MPCV-20C MPCV-30C	\$36.00 \$53.00 \$99.50



For performance that's OFF THE CHART of ordinary pumps!

Parts Price List

Miscellaneous Parts

ITEM	DESCRIPTION	PART NUMBER	LIST PRICE
Strainer Pot	Strainer Pot and Basket - w/ 1 1/2" male NPT adapter, clamp lid	MPP-10	\$83.50
	Strainer Pot and Basket - w/ 2" male NPT adapter, clamp lid	MPP-20	\$83.50
Electrical Cord with Plug	8' Cord with 115V Plug (16 gauge) for 1725 RPM Units	MPE-16-115V	\$13.50
	8' Cord with 115V Plug (12 gauge) for 3450 RPM Units up to 1hp	MPE-12-115V	\$20.00
	Custom Cord (12 gauge) with 115V plug	CC-12-115P	\$35.00 + \$3.10/ft
	Custom Cord (12 gauge) with 230V plug	CC-12-230P	\$37.00 + \$3.10/ft
	Custom Cord (16 gauge) with 115V plug	CC-16-115P	\$20.00 + \$2.35/ft
	Custom Cord (16 gauge) with 230V plug	CC-16-230P	\$35.00 + \$2.35/ft
Mechanical Seals	Stainless Steel 316 with Buna	MPS-513	\$31.50
	PTFE Coated S.S. with SiC & Buna	MPS-517	\$97.50
	Polypropylene with carbon vs. ceramic and EPDM trim	MPS-522	\$70.00
	Polypropylene with carbon vs. ceramic and Viton trim	MPS-524	\$78.00
	Polypropylene with carbon vs. SiC and EPDM trim	MPS-542	\$177.00
	Polypropylene with carbon vs. SiC and Viton trim	MPS-544	\$185.00
	Polypropylene with SiC vs SiC and EPDM trim	MPS-562	\$266.00
	Polypropylene with SiC vs SiC and Viton trim	MPS-564	\$274.00

Motors - Artesians

ITEM	DESCRIPTION	PART NUMBER	LIST PRICE
Motor - TEFC	1/8 HP, 1 Ø, TEFC, 115/230V, 50/60 HZ, 1725 RPM, 56Y Motor BC	APM-342	\$325.00
	1/4 HP, 1 Ø, TEFC, 115/230V, 50/60HZ, 1725 RPM, 56Y Motor BC	APM-344	\$362.00
	1/3 HP, 1 Ø, TEFC, 115/230V, 50/60 HZ, 1725 RPM, 56Y Motor BC	APM-345	\$393.00
	1/2 HP, 1 Ø, TEFC, 115/230V, 50/60 HZ, 1725 RPM, 56Y Motor BC	APM-346	\$417.00
	3/4 HP, 1 Ø, TEFC, 115/230V, 50/60 HZ, 1725 RPM, 56Y Motor BC	APM-347	\$434.00
	1 HP, 1 Ø, TEFC, 115/230V, 50/60 HZ, 1725 RPM, 56Y Motor BC	APM-348	\$462.00
	Motor - ODP	1/2 HP, 1 Ø, ODP, 115/230V, 3450 RPM, 56Y Motor A/B	APM-122
3/4 HP, 1 Ø, ODP, 115/208-230V, 3450 RPM, 56Y Motor A/B		APM-123	\$338.00
1 HP, 1 Ø, ODP, 115/208-230V, 3450 RPM, 56Y Motor A/B		APM-124	\$368.00
1 1/2 HP, 1 Ø, ODP, 115/208-230V, 3450 RPM, 56Y Motor A		APM-125	\$481.00
2 HP, 1 Ø, ODP, 208-230V, 3450 RPM, 56Y Motor A		APM-126	\$580.00
3 HP, 1 Ø, ODP, 208-230V, 3450 RPM, 56Y Motor A		APM-127	\$639.00
5 HP, 1 Ø, ODP, 208-230V, 3450 RPM, 56Y Motor A		APM-129	\$719.00



For performance that's OFF THE CHART of ordinary pumps!

Parts Price List

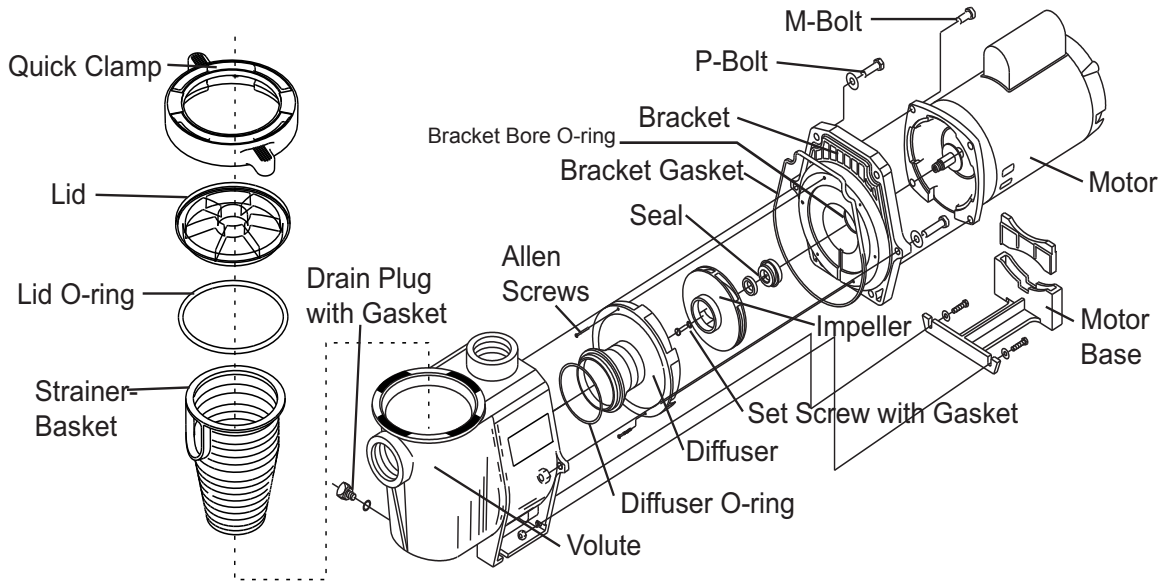
Motors - Cascade

ITEM	DESCRIPTION	PART NUMBER	LIST PRICE
Motor - ODP	1/3 HP, 1 Ø, ODP, 115/230V, 3450 RPM, 56J Motor A	CPM-121	\$252.00
	1/2 HP, 1 Ø, ODP, 115/230V, 50/60HZ, 3450 RPM, 56J Motor BC	CPM-122	\$294.00
	3/4 HP, 1 Ø, ODP, 115/208-230V, 50/60HZ, 3450 RPM, 56J Motor BC	CPM-123	\$364.00
	1 HP, 1 Ø, ODP, 115/230V, 50/60HZ, 3450 RPM, 56J Motor BC	CPM-124	\$391.00
	1 1/2 HP, 1 Ø, ODP, 115/230V, 50/60HZ, 3450 RPM, 56J Motor BC	CPM-125	\$515.00
	2 HP, 1 Ø, ODP, 115/230V, 50/60HZ, 3450 RPM, 56J Motor BC	CPM-126	\$624.00
Motor - TEFC	1/8 HP, 1 Ø, TEFC, 115/230V, 50/60HZ, 1725 RPM, 56J Motor BC	CPM-342	\$315.00
	1/4 HP, 1 Ø, TEFC, 115/230V, 50/60HZ, 1725 RPM, 56J Motor BC	CPM-344	\$324.00
	1/2 HP, 1 Ø, TEFC, 115/230V, 3450 RPM, 56J Motor B	CPM-322	\$370.00
	3/4 HP, 1 Ø, TEFC, 115/230V, 3450 RPM, 56J Motor B	CPM-323	\$440.00
	1 HP, 1 Ø, TEFC, 115/230V, 3450 RPM, 56J Motor B	CPM-324	\$466.00
	1 1/2 HP, 1 Ø, TEFC, 115/208-230V, 3450 RPM, 56J Motor BC	CPM-325	\$558.00
	2 HP, 1 Ø, TEFC, 115/208-230V, 3450 RPM, 56J Motor BC	CPM-326	\$618.00
Motor - TEFC 3 phase	1/3 HP, 3 Ø, TEFC, 230/460V U 208V, 3450 RPM, 56J Motor B	CPM-421	\$422.00
	1/2 HP, 3 Ø, TEFC, 230/460V U 208V, 3450 RPM, 56J Motor B	CPM-422	\$391.00
	3/4 HP, 3 Ø, TEFC, 208-230/460V, 3450 RPM, 56J Motor B	CPM-423	\$428.00
	1 HP, 3 Ø, TEFC, 208-230/460V, 3450 RPM, 56J Motor BC	CPM-424	\$565.00
	1 1/2 HP, 3 Ø, TEFC, 208-230/460V, 3450 RPM, 56J Motor BC	CPM-425	\$672.00
	2 HP, 3 Ø, TEFC, 230/460V U 208V, 3450 RPM, 56J Motor BC	CPM-426	\$733.00
	3 HP, 3 Ø, TEFC, 230/460V U 208V, 3450 RPM, 56J Motor B	CPM-427	\$881.00

Motors - Specialty

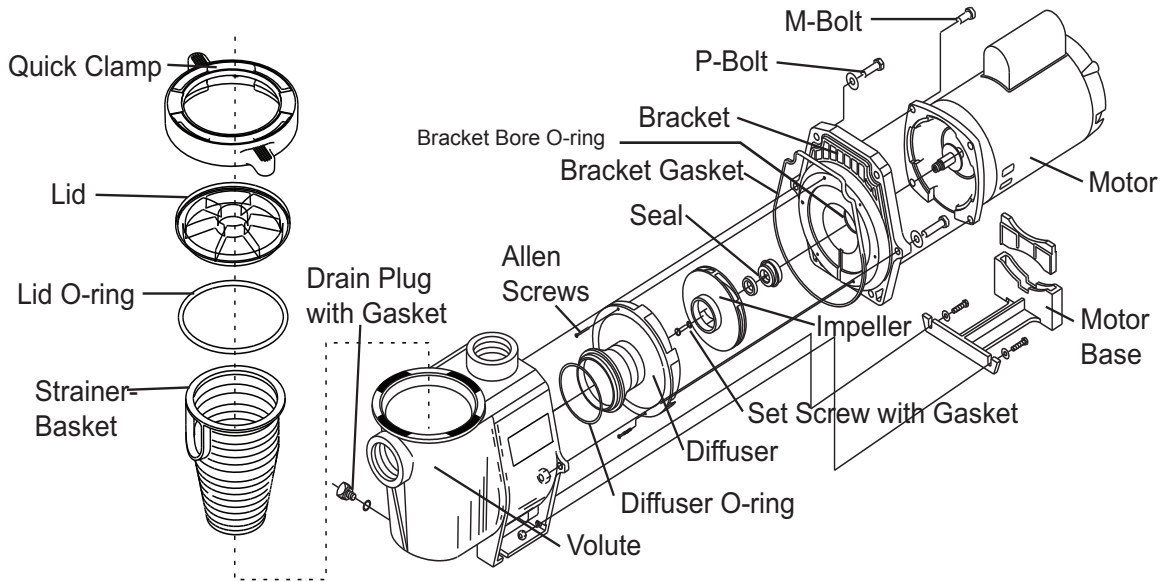
ITEM	DESCRIPTION	PART NUMBER	LIST PRICE
Motor - Variable	0-2.7 HP, 1 Ø TEFC, VARIABLE SPEED MOTOR	APM-446.7	\$1175.00
Motor - 2 Speed	3/4-1/8 HP, 115V 2-Speed Motor	APM-1321	\$561.00
	3/4-1/8 HP, 230V 2-Speed Motor	APM-1322	\$509.00
	1-1/6 HP, 230V 2-Speed Motor	APM-134	\$575.00
	1.5-1/4 HP, 230V 2-Speed Motor	APM-135	\$618.00
	2-1/3 HP, 230V 2-Speed Motor	APM-136	\$830.00

Parts Price List



ITEM	DESCRIPTION	PART NUMBER	LIST PRICE
Quick Clamp	Clamp Ring for Volute	APC-50	\$33.50
Lid	Lexan™ Lid for Volute	ALL-40	\$25.00
Lid O-Ring	O-Ring for Lexan™ Lid	ABL-30	\$8.75
Strainer Basket	Strainer Basket for Volute	AAS-30	\$16.50
Volute	Volute Housing (Polypropylene)	APV-10	\$183.50
Drain Plug	Drain Plug with Gasket (1)	PPD-10	\$3.00
Diffuser O-Ring	O-Ring for Diffuser Nose	APD-06	\$9.75
Diffuser	Diffuser Small Vane (for #2 Impellers)	APD-07	\$62.00
	Diffuser Large Vane (for #4-7 Impellers)	APD-2-08	\$60.00
	Diffuser XL Vane (for #8-9 Impellers)	APD-09	\$64.00
Set Screw with Gasket	Impeller Reverse Set Screw with Gasket	ASI-09	\$5.50
Impeller	Impeller for A1/8-30 (#2)	ANI-24.25	\$95.00
	Impeller for A1/8-35 (#4)	ANI-43.75	\$95.00
	Impeller for A1/4-40 (#4)	ANI-44.91	\$95.00
	Impeller for A1/4-49 (#6)	ANI-64.91	\$95.00
	Impeller for A1/3-56 (#7)	ANI-75.12	\$95.00
	Impeller for A1/2-75 (#8)	ANI-85.12	\$95.00
	Impeller for A1/2-HH (#2)	ANI-24.25	\$95.00
	Impeller for A3/4-HH (#2)	ANI-24.56	\$95.00
	Impeller for A1-HH (#4)	ANI-44.80	\$95.00
	Impeller for A1 1/2-HH (#5)	ANI-54.85	\$95.00
	Impeller for A2-HH (#6)	ANI-64.80	\$95.00
	Impeller for A3-HH (#7)	ANI-75.05	\$95.00

Parts Price List

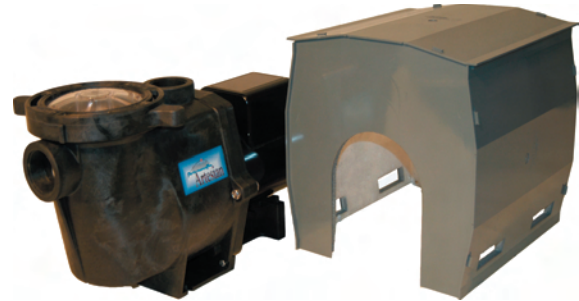
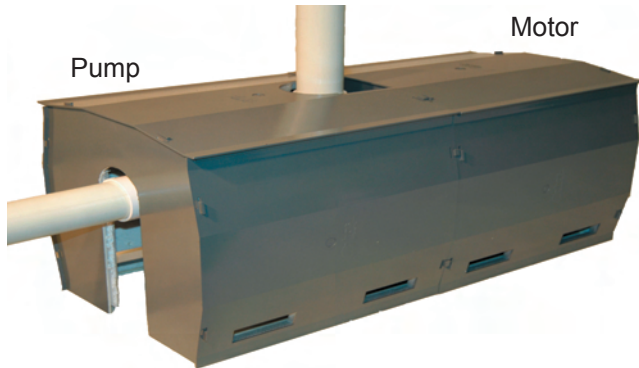


ITEM	DESCRIPTION	PART NUMBER	LIST PRICE
Impeller	Impeller for A1/2-HF (#4)	ANI-43.95	\$95.00
	Impeller for A3/4-HF (#7)	ANI-74.00	\$95.00
	Impeller for A1-HF (#8)	ANI-84.11	\$95.00
	Impeller for A11/2-HF (#8)	ANI-84.28	\$95.00
	Impeller for A2-HF (#9)	ANI-94.15	\$95.00
	Impeller for A3-HF (#9)	ANI-94.50	\$95.00
Seal	316 Stainless Steel Carbon vs. Ceramic with Buna	MPS-513	\$31.50
	PTFE Coated S.S. with SiC & Buna	MPS-517	\$97.50
Bracket Gasket	Gasket for Bracket (Santoprene)	ASB-20	\$19.50
Bracket Bore O-Ring	Bracket Bore O-Ring	PNO-02	\$4.00
Bracket	Bracket (Polypropylene)	APB-30	\$84.50
Motor Base	Plastic Motor Base with Cradle	APF-20	\$36.00
Hardware	Stainless Steel Hardware Set	MPH-25	\$18.50
Seal Kit	Includes (2) Drain plug O-rings, (1) Lid, Diffuser, Bracket and Bracket bore O-rings, (1) 513 Mechanical seal, and (1) Reverse set screw washer.	AC-SK1	\$68.00

For performance that's **OFF THE CHART** of ordinary pumps!

ProTect

INSTANT PROTECTION FOR YOUR PUMP AND MOTOR



* Two ProTect covers shown above

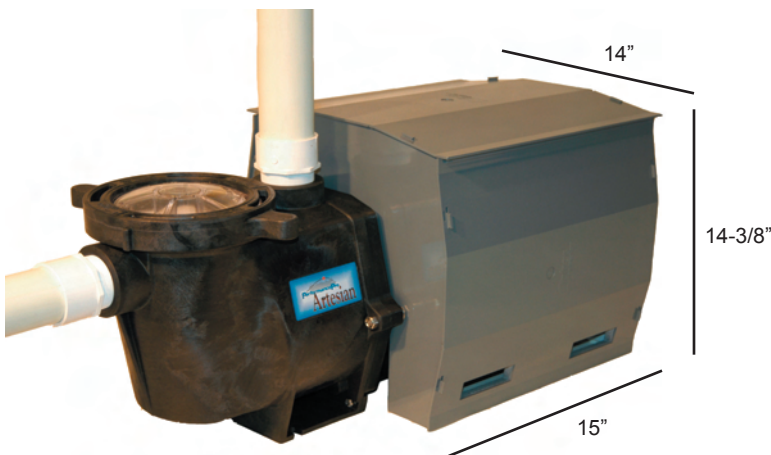
ProTect

DESCRIPTION	PART NUMBER	LIST PRICE
Pump and Motor House Grey	MPC-10G	\$91.00

- * ProTect fits Artesian2 and Cascade Models.
- * Fits ArtesianPro motor only.

BENEFITS

- * Protects motor from water damage
- * Reduces noise level
- * Easy assembly, no tools required
- * Pre-cut knock out sections for easy customization
- * Constructed of UV resistant thermoplastic, insulated for noise abatement



All ProTects ship disassembled in an easy to store box. (15" x 16" x 5")

Approximate assembly time: 5 minutes

FRICTION LOSS CHART

FRICTION LOSS PER 100 FEET OF PLASTIC PIPE

GPM	PIPE DIAMETER																				
	1/2 in.		3/4 in.		1 in.		1 1/4 in.		1 1/2 in.		2 in.		2 1/2 in.		3 in.		4 in.		5 in.		
	SCH 40	SCH 80	SCH 40	SCH 80	SCH 40	SCH 80	SCH 40	SCH 80	SCH 40	SCH 80	SCH 40	SCH 80	SCH 40	SCH 80	SCH 40	SCH 80	SCH 40	SCH 80	SCH 40	SCH 80	
1	2.08	4.02	0.51	0.86																	
2	4.16	8.03	1.02	1.72	0.55	0.88	0.14	0.21	0.07	0.10											
5	23.44	45.23	5.73	9.67	1.72	2.75	0.44	0.66	0.22	0.30	0.066	0.10	0.038	0.05	0.015	0.028					
7	43.06	83.07	10.52	17.76	3.17	5.04	0.81	1.21	0.38	0.55	0.11	0.15	0.051	0.07	0.021	0.028					
10																					
15																					
20																					
25																					
30																					
35																					
40																					
45																					
50																					
60																					
70																					
75																					
80																					
90																					
100																					
125																					
150																					
175																					
200																					
250																					
300																					
350																					
400																					
450																					
500																					

THIS CHART GIVES FRICTION LOSSES FOR YOUR GIVEN FLOW RATE PER 100 FEET OF PIPE. EXAMPLE: IF YOU HAVE 60 GALLONS PER MINUTE AND YOU'RE USING 2 INCH SCHEDULE 80 PIPE AND YOU HAVE A 160 FEET OF PIPE, YOUR FRICTION LOSS IS 8.12 x 1.6 = 12.99 FEET.

NOTE: IT IS BEST TO KEEP YOUR FRICTION LOSS (PER 100 FEET OF PIPE) TO LESS THAN 5 F FEET.

FRICTION LOSS IN PVC FITTINGS IN EQUIVALENT FEET OF STRAIGHT PIPE

NORMAL PIPE SIZE (IN)	1/2"	3/4"	1"	1 1/4"	1 1/2"	2"	2 1/2"	3"	4"
90° ELBOW, STANDARD	1.5	2.0	2.25	4.0	4.0	6.0	8.0	8.0	12.0
45° ELBOW, STANDARD	0.75	1.0	1.4	1.75	2.0	2.5	3.0	4.0	5.0
INSERT COUPLING		0.75	1.0	1.25	1.5	2.0	3.0	3.0	4.0
GATE VALVE		.4	.6	.8	1.0	1.5	1.6	2.0	3.0
MALE-FEMALE ADAPTERS		1.0	2.0	2.75	3.5	4.5	-	6.5	9.0
TEE - FLOW THROUGH RUN	1.0	1.4	1.7	2.3	2.7	4.3	5.1	6.3	8.3
TEE - FLOW THROUGH BRANCH	4.0	5.0	6.0	7.0	8.0	12.0	15.0	16.0	22.0

NOTES



2016 PRODUCT CATALOG

PerformancePro Pumps Inc.

5976 SE Alexander St., Suite F

Hillsboro, OR 97123

PH (503) 356-5888

FX (503) 356-1660

sales@performancepropumps.com

www.performancepropumps.com