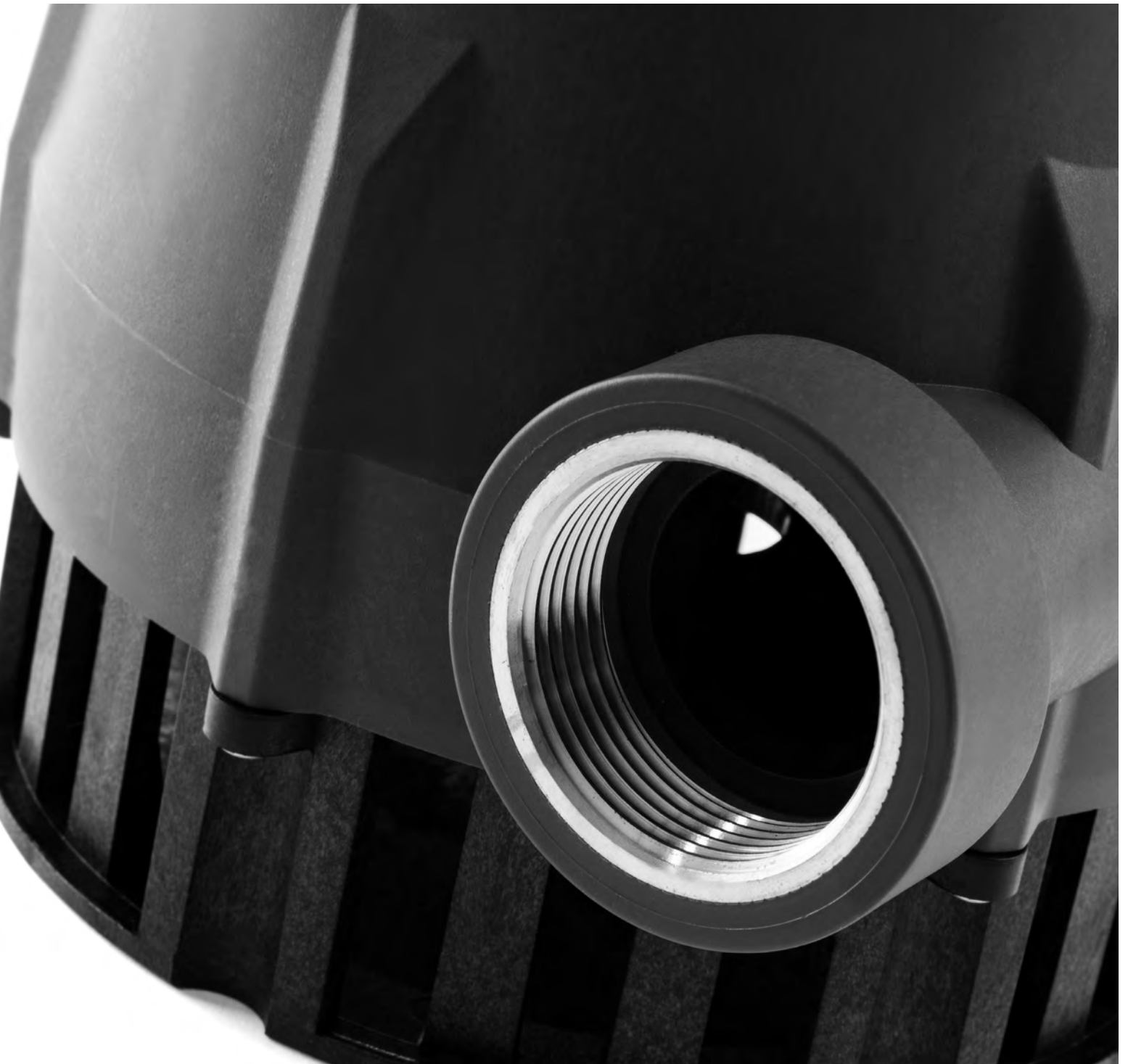


NOVA-FEKA

SUBMERSIBLE PUMPS



TECHNICAL DATA



NOVA 180 MA



NOVA 600 M NA

Flow rate minimum and maximum: from 0.3 to 67 gpm (1 to 256 l/min)

Head up to: 33 ft (10.1 m)

Maximum immersion depth: 23 ft (7 m)

Type of pumped liquid: clear water or rainwater

Free passage: 0.2" (5 mm) or 0.4" (10 mm) depending on the model

Minimum intake level:

NOVA 180/200 0.31" (8 mm)

NOVA 300 0.51" (13mm)

NOVA 600 1.18" (30mm)

Supported liquid temperature min. and max.:

for domestic use from 32 °F to 95 °F (0 °C to +35 °C)

for other uses from 32 °F to 122 °F (0 °C to +50 °C)

Class of protection: IP 68

Motor insulation class: F

Impeller construction material(s): technopolymer

Single phase power input: 115v 60 Hz

Possible type of installation: fixed or portable in a vertical position

Certification: CSA-C22.2 No. 108-14 - Liquid Pumps

UL Std. No. 778 6th Ed. - Motor Operated Water Pumps

Nova is a submersible pump for draining clear water in domestic and residential environments. Completely redesigned in 2019 for the forty years of sales, it is now even more durable, reliable and ergonomic in use. Nova can also be used for emptying tanks or cisterns.

CONSTRUCTION FEATURES OF THE PUMP

The pump body, the impeller and the suction grille are in technopolymer. Robust and reliable with triple sealing in oil bath. The pump allows the suction of the liquid up to the minimum level of 10 mm and the possibility of dry operation up to 1 minute.

CONSTRUCTION FEATURES OF THE MOTOR

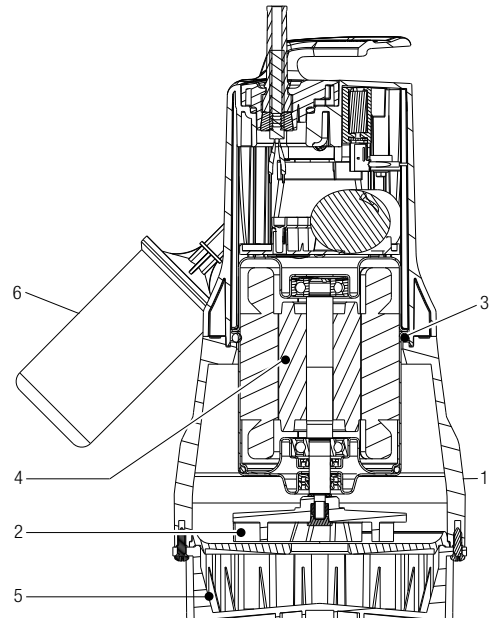
Continuous duty asynchronous submersible motor. Stator inserted in a hermetic stainless steel casing and rotor mounted on oversized ball bearings. Thermal protection incorporated in all single-phase versions.

The motor is in AISI 304 stainless steel and the shaft is in AISI 431 steel for greater resistance to corrosive attacks.

MATERIALS

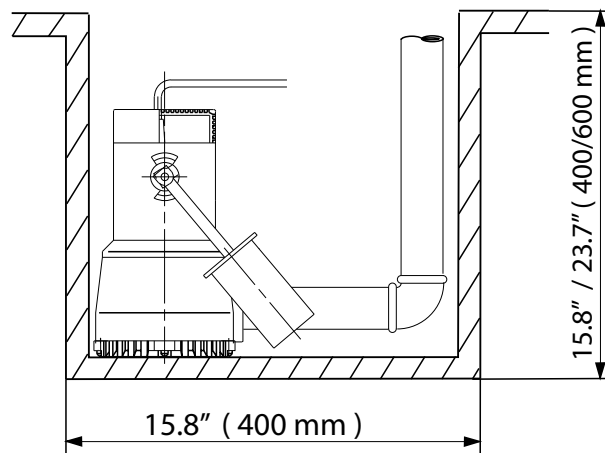
N°	PARTS *		MATERIALS
1	PUMP BODY		TECHNOPOLIMER
2	IMPELLER		TECHNOPOLIMER
3	OR RING		NBR
4	MOTOR	CASE	AISI 304 STAINLESS STEEL X5 CrNi1810 - UNI 6900/71
		ROTOR SHAFT	AISI 431 STAINLESS STEEL
5	SUCTION GRID		TECHNOPOLIMER
6	FLOAT		TECHNOPOLIMER

* In contact with the liquid



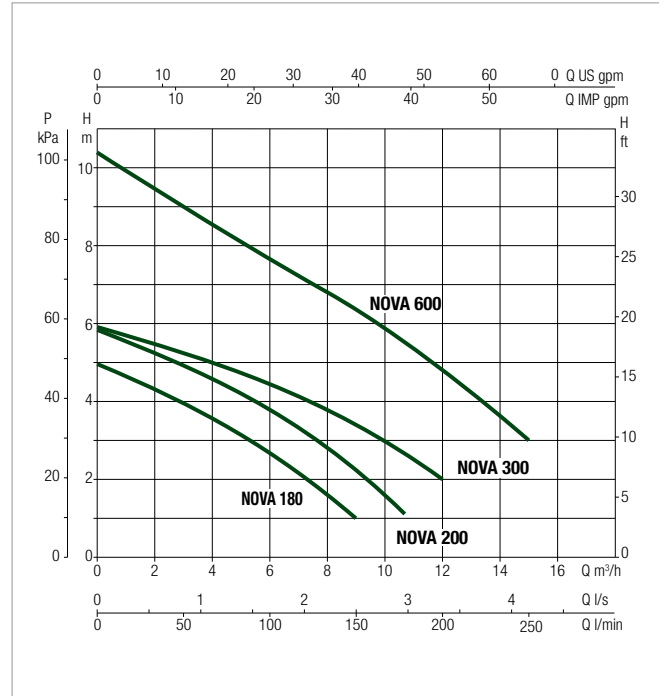
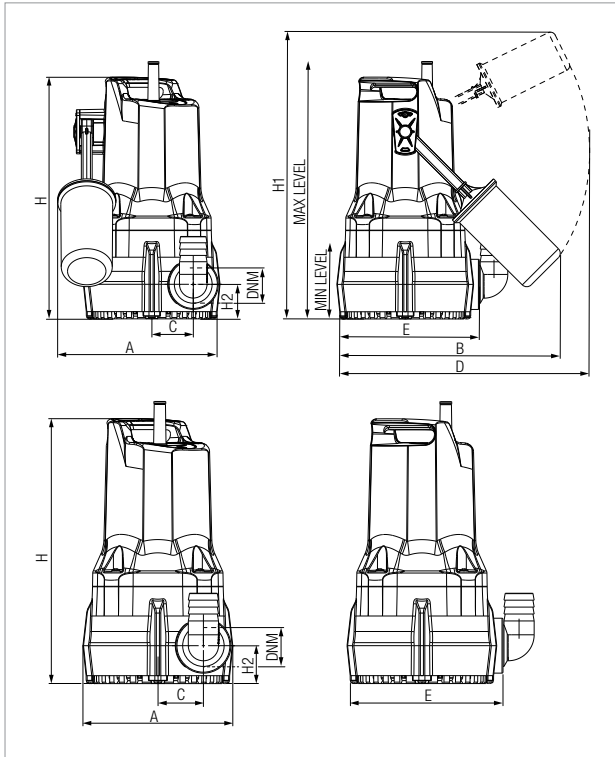
MINIMUM WELL SIZE FOR AUTOMATIC OPERATION FIXED INSTALLATION:

NOVA 180 - NOVA 300 - NOVA 600



NOVA 180-200 - SUBMERSIBLE PUMP

Liquid temperature range: for domestic use from 32 °F to 95 °F (0 °C to +35 °C)



The performance curves are based on kinematic viscosity values = 1 mm²/s and density equal to 1000 kg/m³. Curve tolerance according to ISO 9906.

MODEL	Q= gpm	0	10	20	30	40	47
	Q=l/min	0	37.8	75.7	113.6	151.4	178
NOVA 180 MA - MNA	H (ft)	16.1	14.2	10.9	7.4	3.3	-
	H (m)	4.90	4.33	3.33	2.25	1	-
NOVA 200 MNA	H (ft)	18.7	17.4	14.8	11.5	7.2	3.6
	H (m)	5.7	5.3	4.5	3.5	2.2	1.1

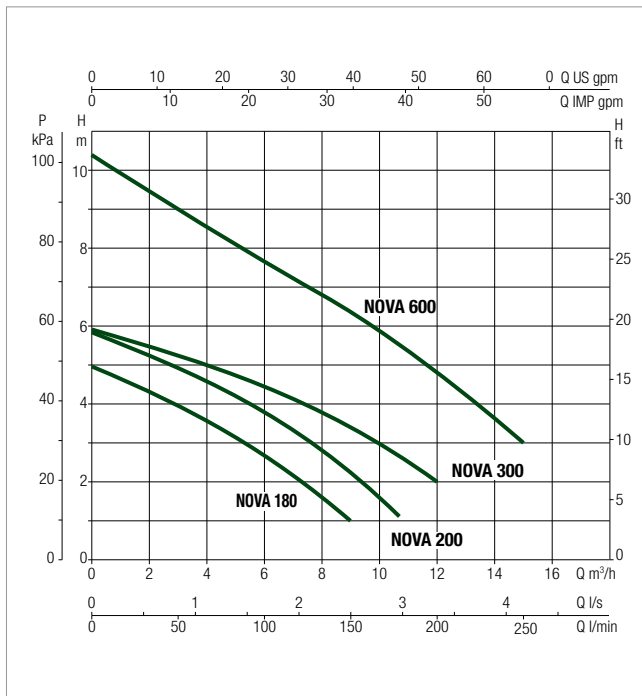
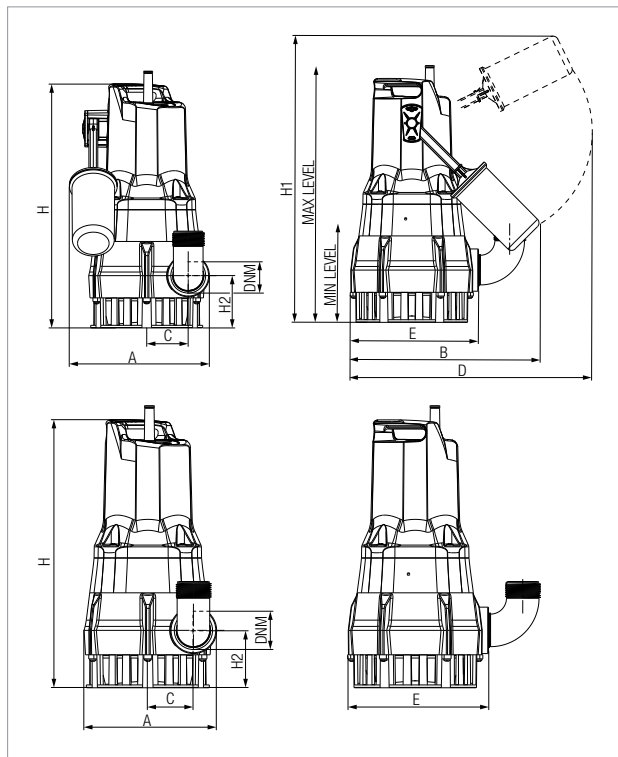
MODEL	ELECTRICAL DATA						
	POWER INPUT 60 Hz	P1 MAX kW	P2 NOMINAL		In A	CAPACITOR	
			kW	HP		µF	Vc
NOVA 180 MA - MNA	1X115V~	0.32	0.14	1/4	2.9	12.5	250
NOVA 200 MNA	1X115V~	0.41	0.21	1/3	3.8	20	250

A: Automatic with float - NA: Non-automatic, without float

MODEL	A	B	C	D	E	H	H1	H2	LEV. MIN.	LEV. MAX.	DNM	PACKING DIMENSIONS			CABLE	VOLUME	WEIGHT
												L/A	L/B	H			
NOVA 180 MA	7.1"	9.7"	1.8"	11.7"	6.2"	10.6"	13.6"	1.5"	3.1"	11.2"	1" ¼	11.3"	8.0"	12.6"	16 ft	0.67 ft3	10.2 lbs
	180mm	247mm	46mm	296mm	158mm	268mm	345mm	38mm	77mm	285mm	1" ¼	287mm	202mm	320mm	5 m	0.019 m3	4.6 kg
NOVA 180 MNA	6.0"	-	1.8"	-	6.2"	10.6"	-	1.5"	-	-	1" ¼	11.3"	8.0"	12.6"	16 ft	0.67 ft3	10.2 lbs
	151mm	-	46mm	-	158mm	268mm	-	38mm	-	-	1" ¼	287mm	202mm	320mm	5 m	0.019 m3	4.6 kg
NOVA 200 MNA	6.0"	-	1.8"	-	6.2"	10.6"	-	1.5"	-	-	1" ¼	11.3"	8.0"	12.6"	16 ft	0.67 ft3	10.2 lbs
	151mm	-	46mm	-	158mm	268mm	-	38mm	-	-	1" ¼	287mm	202mm	320mm	5 m	0.019 m3	4.6 kg

NOVA 300-600 - SUBMERSIBLE PUMP

Liquid temperature range: for domestic use from 32 °F to 95 °F (0 °C to +35 °C)



The performance curves are based on kinematic viscosity values = 1 mm²/s and density equal to 1000 kg/m³. Curve tolerance according to ISO 9906.

MODEL	Q= gpm	0	10	20	30	40	50	67
	Q=l/min	0	37.8	75.7	113.6	151.4	189.3	256
NOVA 300 MA	H (ft)	18.7	18.4	16.4	14.1	21.3	7.2	-
	H (m)	5.7	5.6	5.0	4.3	6.5	2.2	-
NOVA 600 MA-MNA	H (ft)	33.1	29.5	28.2	24.9	21.3	16.7	9.8
	H (m)	10.1	9.7	8.6	7.6	6.5	5.1	3.0

MODEL	ELECTRICAL DATA						
	POWER INPUT 60 Hz	P1 MAX kW	P2 NOMINAL		In A	CAPACITOR	
			kW	HP		µF	Vc
NOVA 300 MA	1X115V~	0.41	0.21	1/3	3.9	20	250
NOVA 600 MA-MNA	1X115V~	0.69	0.47	1/2	6.5	20	250

A: Automatic with float - NA: Non-automatic, without float

MODEL	A	B	C	D	E	H	H1	H2	LEV. MIN.	LEV. MAX.	DNM	PACKING DIMENSIONS			CABLE*	VOLUME	WEIGHT
												L/A	L/B	H			
NOVA 300 MA	7.1"	9.7"	1.8"	11.7"	6.2"	10.9"	13.9"	1.8"	3.3"	11.2"	1" ¼	11.3"	8.0"	12.6"	16 ft	0.67 ft3	10.2 lbs
	180mm	247mm	46mm	296mm	158mm	277mm	354mm	47mm	85mm	285mm	1" ¼	287mm	202mm	320mm	5 m	0.019 m3	4.6 kg
NOVA 600 MA	7.4"	10.0"	2.2"	11.7"	6.9"	13.0"	17.4"	2.8"	7.5"	15.4"	1" ¼	11.3"	8.0"	12.6"	16 ft	0.88 ft3	15.4 lbs
	189mm	255mm	56mm	296mm	174mm	329mm	443mm	71mm	190mm	390mm	1" ¼	287mm	202mm	431mm	5 m	0.025	7 kg
NOVA 600 MNA	6.4"	-	2.2"	-	6.9"	13.0"	-	2.8"	-	-	1" ¼	11.3"	8.0"	12.6"	16 ft	0.88 ft3	15.4 lbs
	163mm	-	56mm	-	174mm	329mm	-	71mm	-	-	1" ¼	287mm	202mm	431mm	5 m	0.025	7 kg



FEKA 600 M



FEKA 300 A

TECHNICAL DATA

Flow rate minimum and maximum: from 0.3 to 61 gpm (1 to 233 l/min)

Head up to: 27 ft (8.3 m)

Maximum immersion depth: 23 ft (7 m)

Type of pumped liquid: wastewater and rainwater

Free passage: 1" (25 mm)

Minimum intake level: 1.5" (38 mm)

Supported liquid temperature min. and max.:

for domestic use from 32 °F to 95 °F (0 °C to +35 °C)

for other uses from 32 °F to 122 °F (0 °C to +50 °C)

Class of protection: IP 68

Motor insulation class: F

Impeller construction material(s): technopolymer

Single phase power input: 115 V 60 Hz

Possible type of installation: fixed or portable in a vertical position

Certification: CSA-C22.2 No. 108-14 - Liquid Pumps

UL Std. No. 778 6th Ed. - Motor Operated Water Pumps

Feka 300 and Feka 600 are submersible pumps suitable for draining and lifting light or gray wastewater and rainwater in domestic and residential environments, suitable for fixed or mobile installations. The pumps have been redesigned on the occasion of the forty years of production, making them even more reliable, resistant and ergonomic to use. Available in the automatic versions with integrated float switch or in the manual versions without float switch. Possibility of dry running up to 1 minute.

CONSTRUCTION FEATURES OF THE PUMP

Technopolymer pump body and suction grille. Triple ring seal in oil bath.

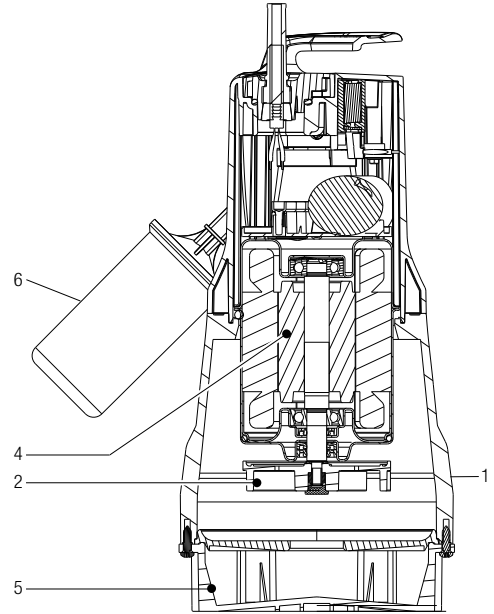
CONSTRUCTION FEATURES OF THE MOTOR

Continuous duty asynchronous submersible motor. Stator inserted in a hermetic stainless steel casing and rotor mounted on oversized ball bearings. Thermal protection incorporated in all single-phase versions. Motor in AISI 304 stainless steel and shaft in AISI 431 steel for greater resistance to corrosive attacks.

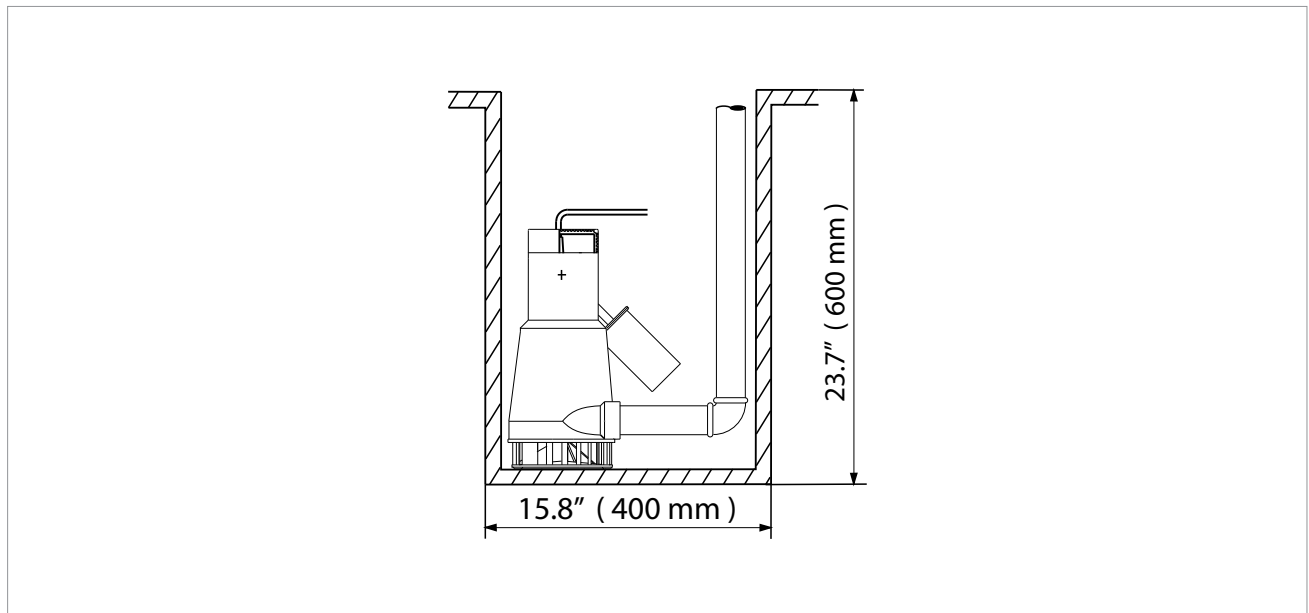
MATERIALS

N°	PARTS *		MATERIALS
1	PUMP BODY		TECHNOPOLIMER
2	IMPELLER		TECHNOPOLIMER
3	OR RING		NBR
4	MOTOR	CASE	AISI 304 STAINLESS STEEL X5 CrNi1810 - UNI 6900/71
		ROTOR SHAFT	AISI 431 STAINLESS STEEL
5	SUCTION GRID		TECHNOPOLIMER
6	FLOAT		TECHNOPOLIMER

* In contact with the liquid

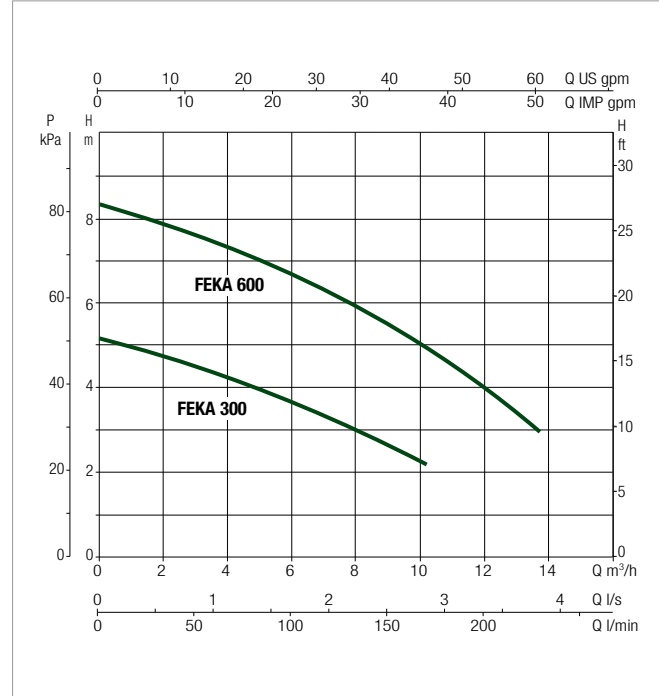
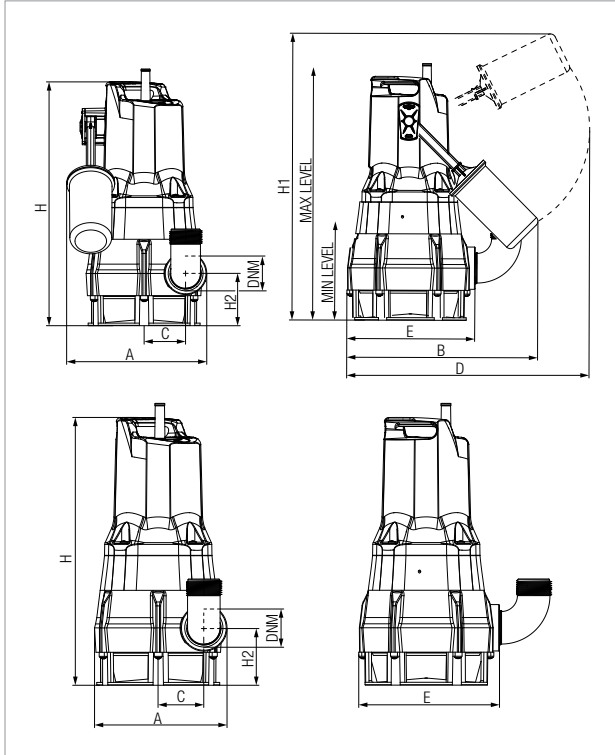


MINIMUM WELL SIZE FOR AUTOMATIC OPERATION FIXED INSTALLATION:



FEKA 300-600 - SUBMERSIBLE PUMPS

Liquid temperature range: for domestic use from 32 °F to 95 °F (0 °C to +35 °C)



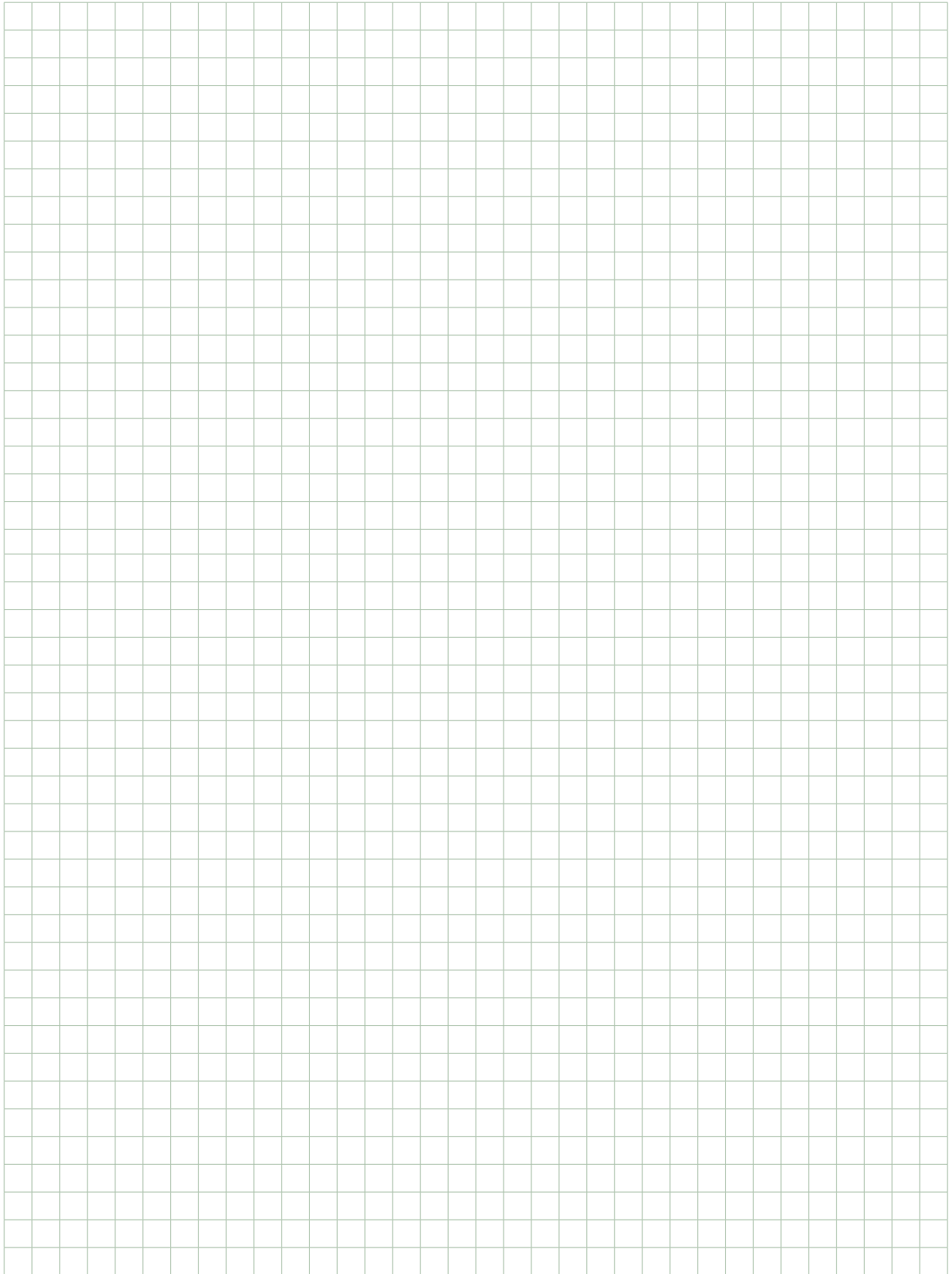
The performance curves are based on kinematic viscosity values = 1 mm²/s and density equal to 1000 kg/m³. Curve tolerance according to ISO 9906.

MODEL	Q= gpm	0	10	20	30	40	50	61.5
	Q=l/min	0	37.8	75.7	113.6	151.4	189.3	233
FEKA 300 MA - MNA	H (ft)	16.4	15.7	13.8	11.5	8.6	-	-
	H (m)	5.0	4.8	4.2	3.5	2.7	-	-
FEKA 600 MA-MNA	H (ft)	27.2	26.6	24.6	22.0	18.4	17.4	9.8
	H (m)	8.3	8.1	7.5	6.7	5.6	5.3	3.0

MODEL	ELECTRICAL DATA						
	POWER INPUT 50 Hz	P1 MAX kW	P2 NOMINAL		In A	CAPACITOR	
			kW	HP		µF	Vc
FEKA 300 MA - MNA	1X115V~	0.44	0.22	1/3	4.1	20	250
FEKA 600 MA-MNA	1X115V~	0.68	0.47	1/2	6.3	20	250

A: Automatic with float - NA: Non-automatic, without float

MODEL	A	B	C	D	E	H	H1	H2	LEV. MIN.	LEV. MAX.	DNM	PACKING DIMENSIONS			CABLE	VOLUME	WEIGHT
												L/A	L/B	H			
FEKA 300 MA	7.4"	10.0"	2.2"	11.7"	6.9"	13.0"	14.0"	2.8"	3.7"	12.0"	1" ¼	11.3"	8.0"	17.0"	16 ft	0.88 ft3	10.1 lbs
	189mm	255mm	56mm	296mm	174mm	329mm	355mm	71mm	95mm	305mm	1" ¼	287mm	202mm	431mm	5 m	0.025 m3	4.6 kg
FEKA 300 MNA	6.4"	-	2.2"	-	6.9"	13.0"	-	2.8"	-	-	1" ¼	11.3"	8.0"	17.0"	16 ft	0.88 ft3	10.1 lbs
	163mm	-	56mm	-	174mm	329mm	-	71mm	-	-	1" ¼	287mm	202mm	431mm	5 m	0.025 m3	4.6 kg
FEKA 600 MA	7.4"	10.0"	2.2"	11.7"	6.9"	13.7"	17.4"	2.8"	7.5"	15.4"	1" ¼	11.3"	8.0"	17.0"	16 ft	0.88 ft3	15.4 lbs
	189mm	255mm	56mm	296mm	174mm	349mm	443mm	71mm	190mm	390mm	1" ¼	287mm	202mm	431mm	5 m	0.025 m3	7.0 kg
FEKA 600 MNA	6.4"	-	2.2"	-	6.9"	13.7"	-	2.8"	-	-	1" ¼	11.3"	8.0"	17.0"	16 ft	0.88 ft3	15.4 lbs
	163mm	-	56mm	-	174mm	349mm	-	71mm	-	-	1" ¼	287mm	202mm	431mm	5 m	0.025 m3	7.0 kg



DAB
PUMPS SELECTOR

On-line selection tool



DAB PUMPS LTD.

6 Gilbert Court
Newcomen Way
Severalls Business Park
Colchester
Essex
CO4 9WN - UK
salesuk@dwtgroup.com
Tel. +44 0333 777 5010



DAB PUMPS IBERICA S.L.

Calle Verano 18-20-22
28850 - Torrejón de Ardoz - Madrid
Spain
Info.spain@dwtgroup.com
Tel. +34 91 6569545
Fax: + 34 91 6569676



DAB PUMPS SOUTH AFRICA (PTY) LTD

Twenty One industrial Estate,
16 Purlin Street, Unit B, Warehouse 4
Olifantsfontein -1666 - South Africa
info.sa@dwtgroup.com
Tel. +27 12 361 3997



DAB PUMPS BV

'tHofveld 6 C1
1702 Groot Bijgaarden - Belgium
info.belgium@dwtgroup.com
Tel. +32 2 4668353



DAB PUMPS HUNGARY KFT.

H-8800
Nagykanizsa, Buda Ernő u.5
Hungary
Tel. +36 93501700



DAB PUMPS (QINGDAO) CO. LTD.

No.40 Kaituo Road, Qingdao Economic & Technological
Development Zone
Qingdao City, Shandong Province - China
PC: 266500
sales.cn@dwtgroup.com
Tel. +86 400 186 8280
Fax +86 53286812210



DAB PUMPS POLAND Sp. z o.o.

Ul. Janka Muzykanta 60
02-188 Warszawa - Poland
polska@dabpumps.com.pl



DAB PUMPS B.V.

Albert Einsteinweg, 4
5151 DL Drunen - Nederland
info.netherlands@dwtgroup.com
Tel. +31 416 387280
Fax +31 416 387299



OOO DAB PUMPS

Novgorodskaya str. 1, block G
office 308, 127247, Moscow - Russia
info.russia@dwtgroup.com
Tel. +7 495 122 0035
Fax +7 495 122 0036



DAB PUMPS DE MÉXICO, S.A. DE C.V.

Av Amsterdam 101 Local 4
Col. Hipódromo Condesa,
Del. Cuauhtémoc CP 06170
Ciudad de México
Tel. +52 55 6719 0493



DAB PUMPEN DEUTSCHLAND GmbH

Tackweg 11
D - 47918 Tönisvorst - Germany
info.germany@dwtgroup.com
Tel. +49 2151 82136-0
Fax +49 2151 82136-36



DAB PUMPS INC.

3226 Benchmark Drive
Ladson, SC 29456 - USA
info.usa@dwtgroup.com
Tel. 1- 843-797-5002
Fax 1-843-797-3366



DAB PUMPS OCEANIA PTY LTD

426 South Gippsland Hwy,
Dandenong South VIC 3175 - Australia
info.oceania@dwtgroup.com
Tel. +61 1300 378 677