

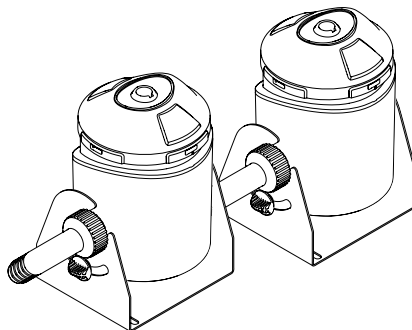


**Warranty, Safety and  
Operating Instructions**

**Garantie, mode d'emploi et  
consignes de sécurité**

**Garantía, Instructivo  
de Seguridad y de Operaciones**

# Water Jet Lightning



## Technical Data

	Calibration voltage	Calibration voltage	Power consumption	Dimensions	Weight	Max. flow rate	Immersion depth	Fountain height	Hose length	Cable length
	Tension de mesure	Tension de mesure secondaire	Puissance absorbée	Dimensions	Poids	Capacité de remplissement	Profondeur d'immersion	Hauteur de fontaine	Longueur du tuyau	Longueur de câble
	Tensión asignada	Tensión asignada secundaria	Consumo de potencia	Dimensiones	Peso	Capacidad de elevación	Profundidad de inmersión	Altura del surtidor	Longitud del tubo flexible	Longitud del cable
<b>Water Jet Lightning</b>	DC 12 V	-	-	150 x 115 x 200 mm 5,9 x 4,5 x 7,9 in	1,3 kg 2,9 lb	-	-	max. 0,9 m max. 3 ft	-	8 m 26,3 ft
12V control box	DC 12 V	-	41 W	215 x 160 x 305 mm 8,5 x 7,1 x 12 in	1,35 kg 3 lb	-	-	-	-	-
transformer	AC 120 V / 60 Hz	DC 12 V	-	150 x 90 x 75 mm 5,9 x 3,6 x 3 in	2,1 kg 4,6 lb	-	-	-	-	2 m / 0,5 m 6,5 ft / 1,6 ft
pump	DC 12 V	-	17 W	-	-	max. 1.500 l/h max. 395 gph	2 m 6,5 ft	-	6 m 20 ft	8 m 26,3 ft



Attention!

Read the operating instructions.

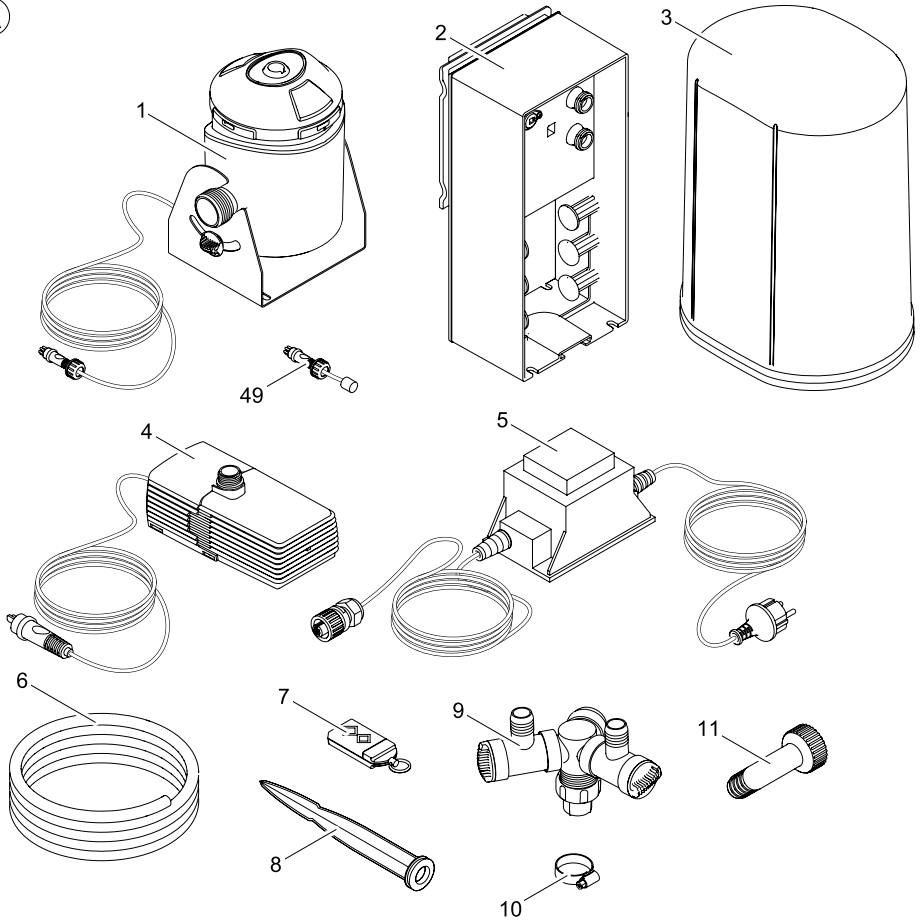
Attention !

Lire la notice d'emploi.

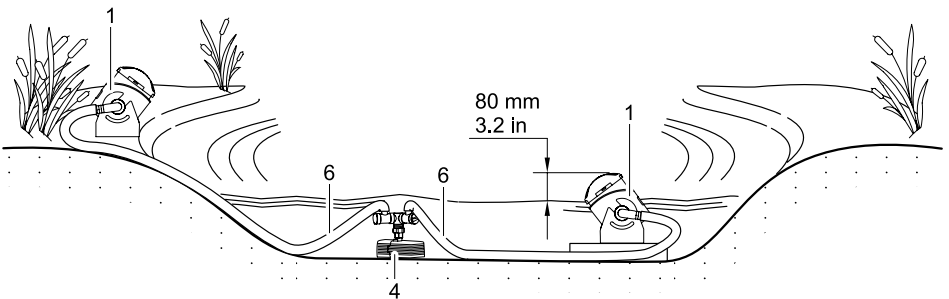
¡Atención!

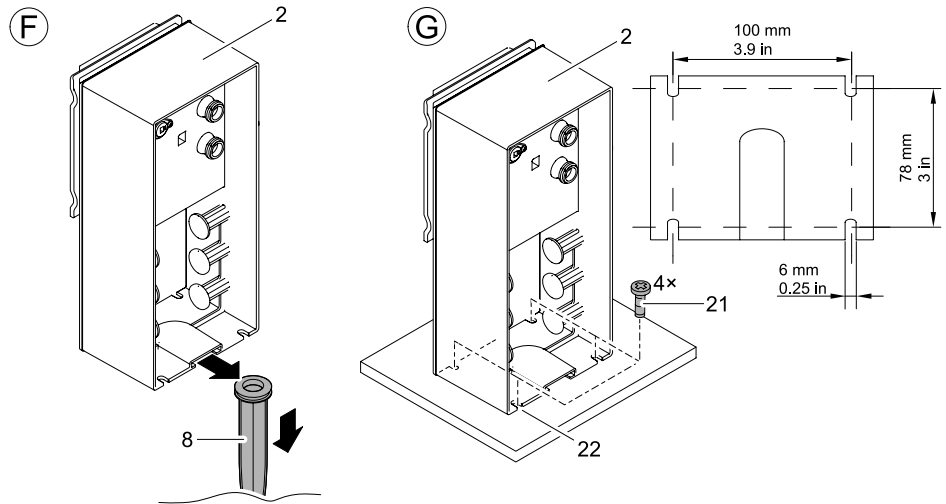
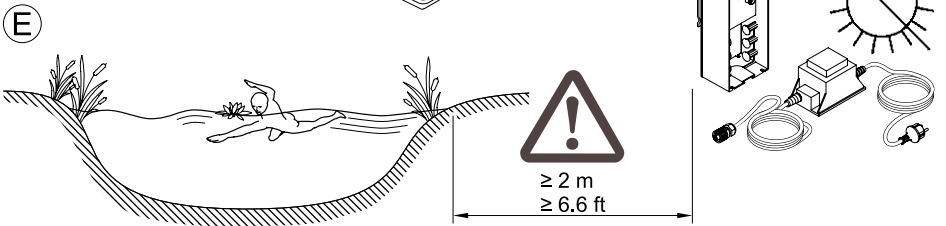
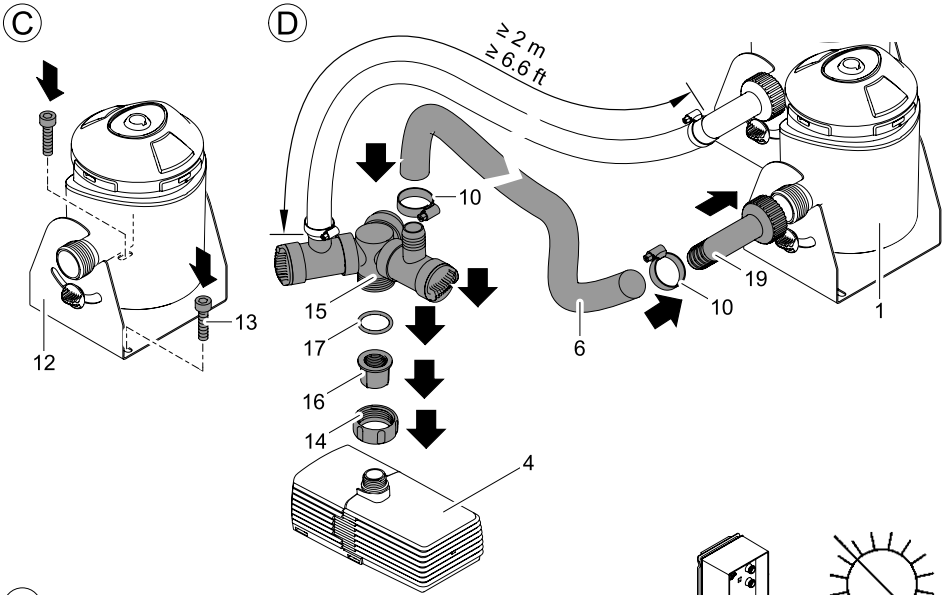
Lea las instrucciones de uso.

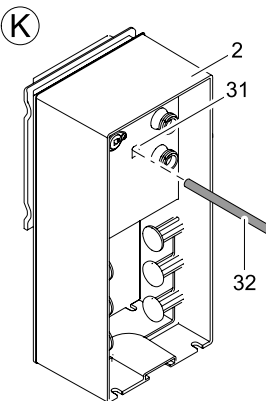
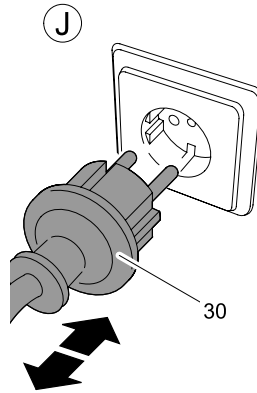
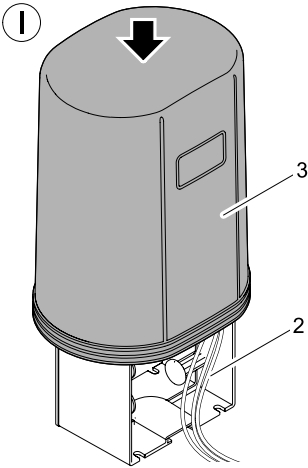
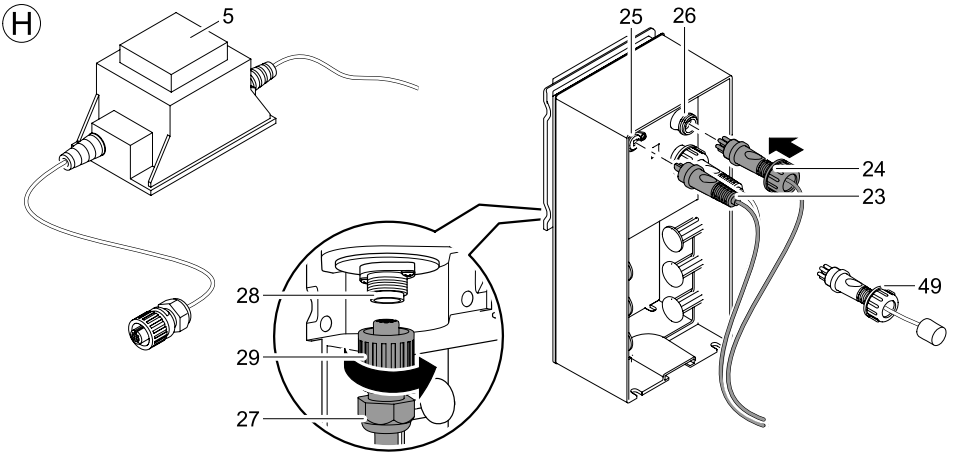
(A)



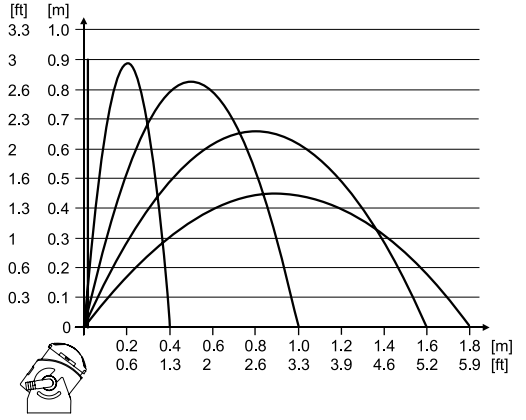
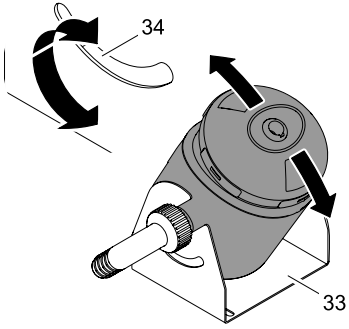
(B)



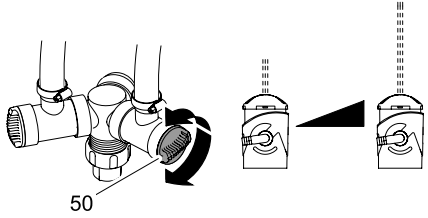




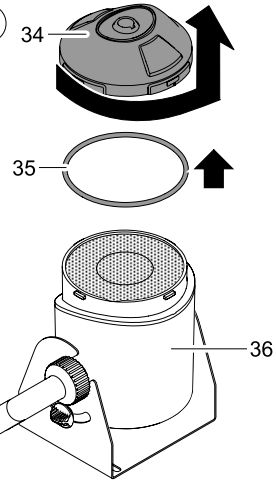
L



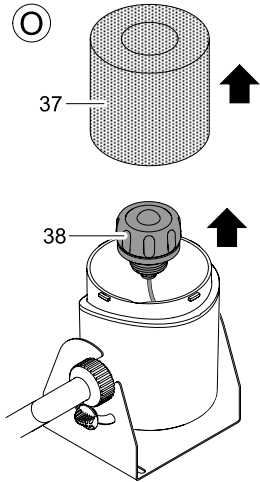
M

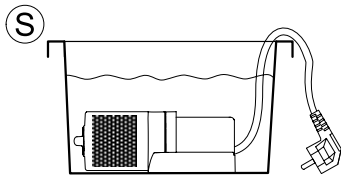
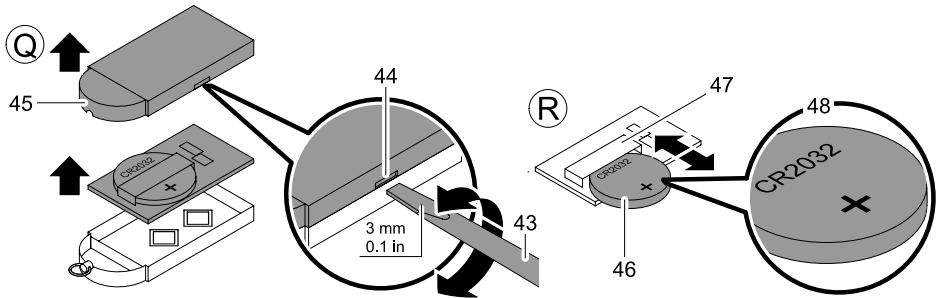
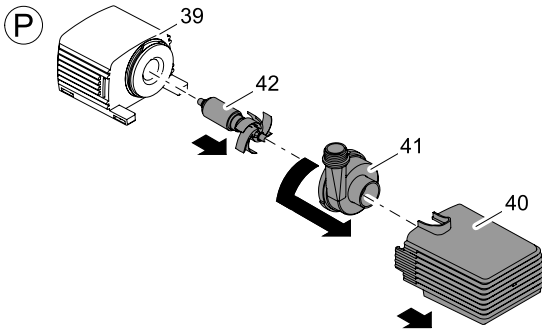


N



O





### Information about this operating manual

Please read the operating instructions and familiarise yourself with the unit prior to using it for the first time. Adhere to the safety information for the correct and safe use of the unit.

Please keep these operating instructions in a safe place! Also hand over the operating instructions when passing the unit on to a new owner. Ensure that all work with this unit is only carried out in accordance with these instructions.

### Scope of delivery

Fig. A	Number	Description
1	2	Water Jet Lightning
2	1	12 V control box (12V control box)
3	1	Protection hood
4	1	Pump, 12 V
5	1	Transformer
6	1	6 m (20 ft) fabric hose, 3/4"
7	1	Hand-held transmitter (including battery, type P CR 2032)
8	1	Ground stake
9	1	Y distributor
10	4	Hose clip
11	1	Hose nozzle
49	1	Jumper plug

### Legal conditions

#### Intended use

The „Water Jet Lightning“, as termed in the following text, is a water feature fountain with LED lighting for permanent installation. Only operate the unit with clean pond water at a water temperature between 4°C and +35°C (39-95°F) and an operating voltage of 120 Volt.

The unit is suitable for use in **swimming ponds (Fig. E)** if the national regulations valid for installers are met.

#### Use other than that intended

Danger to persons can emanate from this unit if it is not used in accordance with the intended use and in the case of misuse. If used for purposes other than that intended, our warranty and operating permit will become null and void.

### Safety information



#### Safety information

- Check that the power supply information on the type plate of your unit coincides with your power supply.
- Only connect the unit to a grounded power supply with a fault current protection switch meeting the local or national regulations (e.g. NEC, UL, CSA, IEC). In case of doubt, contact an approved electrician.
- Do not use additional components, extension/connection/adapter cables, which are not grounded.
- Never operate the unit when persons are in the water!
- Ensure that the installations in and at the pond meet with the local and national installation regulations. In case of doubt, contact an approved electrician.
- Isolate the mains voltage at all poles prior to starting work on the unit.
- Never carry or pull the unit by the connection cable.
- Keep open cable ends, contacts, plugs or connection points dry.
- Do not put the unit into operation if the cable or housing is damaged.
- Route the cables such that they are protected from possible damage.
- Never open the unit, unless described in these instructions. Only the manufacturer is entitled to carry out repairs or the exchange of unit cables.

**ATTENTION** This unit is intended to be operated in the garden. **Do not** use it in swimming pools, jacuzzis, whirlpools, etc.





### Correct electrical installation

- Oase units must be grounded and fused according to the directions via a fault current protection switch (fault current < 30 mA).
- Contact your local electric company regarding the electrical connection values or prerequisites for electrical installations.
- Should the connection cable be too short, we recommend to call in an approved professional electrician to install a connection point within reach of the connection cable or an approved cable extension .
- Avoid excessive bending or chafing of cables.
- Every modification to the unit is commensurate with non-observance of the CSA approval or its directives. In such a case every guarantee or warranty becomes null and void.



### WARNING

Risk of electrocution! **Ensure that the cable connection points and their surroundings are dry.**

The safety transformer and the plug connector of the power cables supplied are not water-tight, but only rain and splash-proof. Do not route or fit in the water. Protect the plug connection from moisture. The safety transformer must have a minimum distance to the pond edge of 2 m (6,6 ft). Route the connection cable so that damage is excluded. Only use cables approved for outside use.

Only use the unit with the attendant safety transformer contained in our scope of delivery. Never open the housing or its attendant components, unless this is explicitly mentioned in the operating instructions. Always disconnect the power supply of all units located in water and of this unit prior to performing work on the unit! For your own safety, consult a qualified electrician if you have questions or encounter problems!



**Important! The unit is equipped with a permanent magnet. The magnetic field may affect the function of pacemakers.**



### What you should do

- Isolate all units in the pond from the mains at all poles prior to starting work on the unit.
- Isolate all units in the pond from the mains at all poles prior to going in the water.
- Commission an approved professional electrician to carry out and service all electrical installations.
- At the first sign of a problem, disconnect the unit from the mains at all poles.



### What not to do

- Do not use the unit if persons are in the water.
- Do not shorten the connection cable.
- Do not remove the earth conductor or the earth contact.
- Do not carry or pull the unit by the connection cable.
- Do not attempt to open the housing.
- Never remove the legends from the unit or the connection cable.
- Avoid pinching, bending or damaging the connection cable. A small cut, even only in the outer jacket, could be sufficient to allow water to soak into the cable. When you detect damage, take the unit out of operation immediately and remove it from the water. Ask your OASE dealer how to proceed further. Never forget: every damage to the connection cable implies a high risk of electrocution. Should the unit be operated anyway, every guarantee or warranty will immediately expire.

## Important safety information

### Please read these instructions carefully prior to starting up the unit!

The water system on which the operation of this product is based requires utmost care and maintenance, possibly also the use of chemicals, in order to prevent and keep the occurrence of micro-organisms and harmful bacteria, especially legionellae that are responsible for legionnaire's disease, under control. Non-observance of this information about correct maintenance and care can entail the spreading of harmful bacteria. Due to the fact that for decorative purposes, water nozzles distribute water in the air, water droplets containing harmful bacteria can enter your lungs and cause life-threatening diseases.

It is the responsibility of the owner of the water system and its attendant units to ensure their maintenance and care in compliance with the laws, directives and instructions laid down for this purpose. In order to avert harmful contamination, we urgently recommend the user to ensure cleaning and care of the water system and the water feature including the nozzle, and to take all necessary measures to maintain the technical units, such as pumps, hoses, tubes, cable clamp connectors, under-water lighting and nozzles to keep them in functional order in line with safety aspects. However, the maintenance and care obligation is not limited to the technical products supplied, but encompasses the entire system.

We also recommend the owner to keep records of the dates when maintenance and care was carried out, and to document all water tests made in conjunction with the water feature.

The owner is solely responsible for guaranteeing the safety of the water feature. Use or maintenance of the units sold and the system are beyond OASE'S influence. OASE can only be held liable for manufacturing faults of OASE units.

## Installation



### Attention! Dangerous electrical voltage.

Unit sections, connections and pond water could carry dangerous voltage if the electrical installation of the unit is incorrectly performed.

**Possible consequences:** Death or severe injury when touching unit sections, connections or in the event of contact with the pond water.

### Protective measures:

- Install transformer and 12 V control box at a minimum safety distance of 2 m (6,6 ft) from the bank (E).
- Choose an installation place for the transformer and the 12 V control box that is splash-water protected. Also protect the transformer and the 12 V control box against sun radiation (max. 40 °C / 104 °F).

## Installation

### Installation of the Water Jet Lightning (B, C, D)

Plan the installation of the Water Jet Lightning. When planning, take the cable and hose lengths into account!

Install the Water Jet Lightning horizontally on a firm base. The unit can be installed dry and in the water. When installed in the water, the upper section of the Water Jet Lightning must protrude out of the water by approx. 8 cm (3,2 in).

- Fasten the unit foot (12) on the base using 2 screws (13) (not included in our scope of delivery).

### Pump installation and connection of the hoses (B, D)

Install the pump (4) as horizontally as possible. Raised installation can prevent the intake of dirt particles from the bottom of the basin.

- Slightly loosen the union nut (14) at the Y distributor (15).
- Screw the reduction piece (16) on the pump (4) and insert the O-ring (17).
- Tighten the union nut (14) at the Y distributor (15).
- Screw the hose connection (19) on the Water Jet Lightning (1).
- Slide a hose clip (10) over the hose (6).
- Slide the hose (6) on the hose adapter (19) and secure with a hose clip (10).
- Connect the other end of the hose to the Y distributor (15) and secure with a hose clip (10).

### Installing the 12 V control box

#### Variant 1 (F)

- Push the full length of the ground stake (8) into the ground at the desired position.
- Slide the 12 V control box (2) on the ground stake (8).

#### Variant 2 (G)

- Screw the 12 V control box (2) to the housing of the 12 V control box (2) on the base using 4 screws (21) (not contained in the scope of delivery) through the screw gaps (22).

### Setting up the transformer (H):

Place the transformer (5) close to the 12 V control box (2).

**Note:** Ensure that the cables are routed pull-relieved!

## Electrical installation

### Connect the Water Jet Lightning with the 12 V control box and the transformer (H, I)

- Insert the pump plug (23) from the plug and the plugs (24) of the two Water Jet Lightning units into the respective sockets for the pump (25) and the Water Jet Lightning (26) at the 12 V control box (2).
- Screw-connect the plug (27) of the transformer connection cable on the secondary side to the socket (28) at the rear of the 12 V control box (2) and screw tighten with the union nut (29).
- Place the protection hood (3) over the 12 V control box (2).

Note: If you only want to operate one of the two Water Jet Lightning systems, plug the jumper plug (49) into the second free socket (26).

## Start-up



**Caution! Do not damage the unit.**

**Protective measures:** Never run the unit without water. Otherwise the pump will be destroyed.

The unit switches on automatically when connected to power. **Attention: Note DC +/- polarity.**

**Switching on the unit (J):** Plug the power plug (30) of the transformer into the socket.

- The unit will start with program 1 (see chapter 'Control/Operation').

**Switching off the unit (J):** Pull the power plug (30) of the transformer.

### Alignment of the Water Jet Lightning and setting the intensity of the water jet (L, M)

**Prior to starting work, disconnect the power plugs of all units in the water (J)!**

#### Adjusting the angle of inclination (L)

The diagram shows the shapes of the water jet at various angles of inclination of the Water Jet Lightning.

- Undo the fastening screw (34) at the unit foot (33).
- Swing the Water Jet Lightning to the desired angle of inclination.
- Tighten the fastening screw (34) at the unit foot (33).

#### Setting the water jet (M)

For the Water Jet Lightning, the intensity of the water jet can be set at the valves of the Y distributor (9).

- Turn the respective valve clockwise: to reduce the water flow.
- Turn the respective valve counter-clockwise: to increase the water flow.

## Operation

	<p>4 pre-programmed water features can be selected with the manual transmitter. After commissioning and with each new start of the unit, program 1 is automatically selected.</p> <p>P0 Unit off, stand-by mode</p> <p>P1 Constant water jet White light activated</p> <p>P2 Constant water jet Changing light colours</p> <p>P3 Pulsating water jet White light activated</p> <p>P4 Pulsating water jet Changing light colours</p> <p>Selecting the next program: Button 1 Selecting the previous program: Button 2</p> <p><b>Note:</b></p> <ul style="list-style-type: none"> <li>– From changing light colour, it is possible to set one colour only by pressing the buttons 1 and 2 simultaneously. Changing light colour can be returned to by pressing the buttons 1 and 2 simultaneously again.</li> <li>– If the Water Jet Lightning is switched by means of a timer, always program 1 is started.</li> </ul>
--	---

The manual transmitter contained in the scope of delivery is already taught in to the 12 V control box. Each further manual transmitter has to be newly taught in for the 12 V control box.

#### **Manual transmitter teach-in (K)**

The 12 V control box (2) is equipped with a teach-in button (31) to be able to carry out the manual transmitter teach-in.

- Insert a pin (32) in the opening for the teach-in button (31).
- Actuate the teach-in button (31) using the pin (32) for approx. 1 sec.
- Press any button of the manual transmitter for at least 1 sec.

#### **Deleting the manual transmitter (K)**

- Actuate the teach-in button (31) using a pin (32) for at least 5 sec.
- All manual transmitters saved in the 12 V control box (2) are deleted.

**Note:** A maximum of 10 manual transmitters can be set to the receiver. The manual transmitter has a maximum range of 80 m (260 ft). Obstacles between transmitter and receiver, a low battery in the manual transmitter, or electro-magnetic radiation of electrical equipment will impair the range.

### **Maintenance and cleaning**

**Prior to starting work on the units, disconnect the power plugs of all units in the water (J)!**

#### **Cleaning the Water Jet Lightning (N, O)**

- Separate the upper section (34) from the housing bottom section (36) with a slight twist, then remove together with the O-ring (35) .
- Remove the foam filter (37) and unscrew the LED unit (38) .
- Clean all parts under running water using a soft brush.
- Squeeze out the foam filter (37) several times under running water.

#### **Cleaning the pump (D, P)**

- Loosen the union nut (14) at the Y distributor (15).
- Unscrew the reduction piece (16) from the pump (4) and remove the Y distributor (15).
- Pull the motor housing (39) out of the engagement holder of the plug-in filter (40).
- Remove the pump housing (41) with a slight turn, and remove the impeller (42) .
- Clean all parts under running water using a soft brush.

#### **Unit reassembly (N, O, D, P)**

- Reassemble the units in the reverse order.

#### **Battery change in the manual transmitter (Q, R)**



#### **Improper treatment can lead to damage of the manual transmitter!**

- Touch an uncoated metal surface (e.g. radiator) to discharge static charges that could lead to damage to the internal components of the manual transmitter!
  - Prevent the ingress of dirt and humidity into the manual transmitter!
- 
- Insert a screwdriver (43) into the lateral opening (44) of the manual transmitter.
  - Open the housing of the manual transmitter by slightly turning the screwdriver, then remove the housing bottom section (45).
  - Pull the battery (46) out of the holder (47).
  - Push the new battery (type CR 2032) into the holder (47). Ensure that the embossed side (48) of the battery points upward.

### **Storage/Over-wintering**

Remove the unit at temperatures below zero degrees centigrade. Thoroughly clean and check the unit for damage. Store the Water Jet Lightning frost-free, store the pump frost-free and immersed in a container filled with water (Figure S). Do not immerse the plug.

### **Disposal**

Dispose of the unit in accordance with the national legal regulations.

## Remedy of faults

Malfunction	Cause	Remedy
The pump does not switch on	No mains voltage	Check mains voltage Check supply lines
	Remote control not taught in	Teach-in the remote control
LED not lit	Both sockets at the 12V control box must be occupied	<ul style="list-style-type: none"> <li>- Insert the plugs of both Water Jet Lightning units in the sockets</li> <li>- If only one Water Jet Lightning is operated, plug the jumper into the second socket</li> </ul>
Insufficient fountain height	Impeller blocked or soiled	Clean impeller
	Pump strainer casing soiled	Clean strainer casing
	Nozzles soiled	Clean nozzles
	Foam filters soiled	Wash out foam filters
	Hose kinked	Lay hose in a sufficiently large bend
	Y distributor clogged	Open valves and clean Y distributor
	Valves at the Y distributor closed	Open valves
Y distributor incorrectly adjusted	Uniformly adjust Y distributor	

## Limited Warranty

This product is covered by a **two-year** limited warranty by OASE. The limited warranty period commences on the original purchase date and covers material and production defects, or failure of the product to operate as specified by OASE during the duration of the limited warranty period.

This limited warranty does not cover failure or problems relating to:

- Improper or incorrect installation of the product (refer to these instructions of use regarding proper installation);
- Modification of the product in any way including attempts to repair the product by someone other than an OASE authorized repair technician;
- Normal wear and tear (including, but not limited to, wear and tear related to pump impellers, filter mats and filter media in filters, bulbs in lights and UV water treatment basins);
- Failure to observe or follow safety, care and maintenance instructions as outlined in these instructions for use or as set forth by OASE from time to time;
- Defects resulting from improper treatment;
- Defects and damage resulting from product misuse (including, but not limited to, non-observance of the instructions for use).

OASE's sole liability under this limited warranty shall be to replace or repair the product covered by this limited warranty. OASE shall not be held liable for any consequential damage to any other part of the water garden, pond, water feature system, landscape, structure or the contents of any structure where the product is located or used, construction or part of the construction where the product is located or used, including no liability for damage or harm to fish, animals or water plants in, around or surrounding the water garden, pond or water feature system.

THE EXPRESS WARRANTIES SET FORTH HEREIN ARE THE ONLY WARRANTIES WITH RESPECT TO THE PRODUCTS, AND THE REMEDIES SET FORTH HEREIN ARE THE EXCLUSIVE REMEDIES IN THE EVENT OF A BREACH OF SUCH WARRANTIES. OASE EXPRESSLY DISCLAIMS ANY IMPLIED WARRANTY OF MERCHANTABILITY OR FITNESS FOR A PARTICULAR PURPOSE. OASE SHALL NOT BE LIABLE UNDER ANY CIRCUMSTANCES FOR INCIDENTAL OR CONSEQUENTIAL DAMAGES OF ANY NATURE, FOR ANY BREACH OF SUCH WARRANTIES OR OTHERWISE.

Some states do not allow the exclusion or limitation of incidental or consequential damages, to the above limitation may not apply to you.

Should your OASE product be defective or fail under the terms of this limited warranty, you should return the product to your OASE dealer, along with your original receipt of purchase and any other limited warranty documentation you have, for replacement or repair.

Should you have question regarding this limited warranty, please send an email to OASE at [warranty@oase-livingwater.com](mailto:warranty@oase-livingwater.com).

Guarantee on request / extension of the restricted guarantee period

Please fill in this guarantee on request card or register online

under [www.oase-livingwater.com](http://www.oase-livingwater.com). You will obtain a 1 year extension of your restricted guarantee period. As soon as your data is received by OASE, we will send you your guarantee certificate covering the extension by e-mail or post. Please print this certificate out and keep it together with the purchase receipt.

### Remarques concernant cette notice d'emploi

Avant la première utilisation, lire attentivement cette notice d'emploi et se familiariser avec l'appareil. Respecter impérativement les indications de sécurité relatives à une utilisation correcte et en toute sécurité.

Prière de conserver soigneusement cette notice d'emploi ! Lors d'un changement de propriétaire, transmettre également cette notice d'emploi. Tous les travaux effectués avec cet appareil devront être exécutés conformément aux directives ci-jointes.

### Pièces faisant partie de la livraison

Figure A	Quantité	Description
1	2	Water Jet Lightning
2	1	Boîtier de commande 12V (12V control box)
3	1	Capot de protection
4	1	Pompe, 12 V
5	1	Transformateur
6	1	Flexible textile de 6 m (20 ft), 3/4 "
7	1	Emetteur à main (pile comprise, type CR 2032)
8	1	Perche de mise à la terre
9	1	Distributeur en Y
10	4	Collier de serrage
11	1	Embout de tuyau
49	1	Fiche de pontage

### Dispositions juridiques

#### Utilisation conforme à la finalité

Le « Water Jet Lightning », nommée par la suite « appareil », est une fontaine à jeux d'eau avec éclairage à diode DEL pour installation fixe. L'appareil ne peut être exploité exclusivement qu'avec de l'eau de bassin propre à une température de l'eau allant de +4°C à +35°C (39-95°F) et avec une tension de service de 120 volts.

Cet appareil est conçu pour être utilisé dans **des bassins et des piscines (figure E)** dans le respect de prescriptions nationales de construction.

#### Utilisation non conforme à la finalité

En cas d'utilisation non conforme à la finalité et de manipulation non appropriée de cet appareil, des risques pour les personnes peuvent en résulter. Toute utilisation non conforme à la finalité entraîne l'annulation de notre responsabilité ainsi que celle de l'autorisation d'exploitation générale.

### Consignes de sécurité



#### Consignes de sécurité

- Vérifier si les indications concernant l'alimentation en courant sur la plaque signalétique de votre appareil correspondent à celles se trouvant sur votre raccordement au secteur.
- Ne raccorder l'appareil qu'à un réseau électrique mis à la terre disposant d'un disjoncteur différentiel et correspondant aux règlements locaux et nationaux (p. ex. NEC, UL, CSA, IEC). En cas de doute, contacter un électricien agréé.
- N'utiliser aucun élément de construction, aucun câble de rallonge, ni de raccordement, ni d'adaptation supplémentaires s'ils ne sont pas mis à la terre.
- Ne jamais utiliser l'appareil lorsque des personnes se trouvent dans l'eau.
- S'assurer que les installations se trouvant dans le bassin et près du bassin correspondent bien aux directives d'installation locales et nationales. En cas de doute, contacter un électricien agréé.
- Débrancher la tension de réseau sur tous les pôles avant d'effectuer des travaux au niveau de l'appareil.
- Ne jamais porter ni tirer l'appareil par le câble de raccordement.
- Tenir au sec les extrémités de conduite, les contacts, les fiches ou les points de raccordement ouverts.
- Ne pas mettre l'appareil en service si la conduite ou le carter présentent un endommagement.
- Poser les conduites de manière à ce qu'elles soient protégées contre des endommagements éventuels.
- Ne jamais ouvrir l'appareil si cela n'est pas décrit dans cette notice. Les réparations ou le remplacement de conduites au niveau de l'appareil ne peuvent être effectués que par le constructeur.

**ATTENTION** Cet appareil est conçu pour une exploitation dans le jardin. **Ne pas** l'utiliser dans des piscines, des bains à remous, des jacuzzis, etc.



### Installation électrique correspondant aux prescriptions

- Les appareils Oase doivent être protégés, conformément à la réglementation, en mise à la terre, par un disjoncteur différentiel (courant de défaut < 30 mA).
- Demander à votre fournisseur d'électricité local quelles sont les valeurs de raccordement électriques ou les conditions préalables pour les installations électriques.
- Si le câble de raccordement est trop court, nous vous conseillons de charger un électricien agréé d'installer un point de raccordement à portée du câble de raccordement ou une rallonge de câble autorisée.
- Éviter de plier ou de frotter les conduites à outrance.
- Toute modification au niveau de l'appareil signifie un non-respect de l'homologation CSA ou de ses dispositions. Ce cas entraîne l'annulation de la garantie légale ou de la garantie commerciale.



### AVERTISSEMENT

Danger d'électrocution ! **Veiller à ce que les points de branchement de câble soient maintenus au sec.**

Le transformateur de sécurité et le raccordement à fiche des lignes électriques faisant partie des fournitures ne sont pas étanches, mais simplement protégés contre l'eau de pluie et les projections d'eau. Ils ne doivent être posés voire montés qu'en dehors de l'eau. S'assurer que la prise est à l'abri de l'humidité. Le transformateur de sécurité doit disposer d'un écart minimum de 2 m (6,6 ft) par rapport au bord du bassin. Protéger le câble de raccordement afin qu'il ne soit pas endommagé. N'employer que des câbles réservés à une utilisation en extérieur.

Utiliser l'appareil exclusivement avec le transformateur de sécurité correspondant faisant partie des fournitures. Ne jamais ouvrir le carter ou des parties y appartenant si cela n'est pas expressément indiqué dans la notice d'emploi. Toujours retirer la prise secteur de tous les appareils se trouvant dans l'eau et de cet appareil avant de procéder à des travaux sur cet appareil ! En cas de questions et de problèmes, prière de vous adresser à un électricien et ce, pour votre propre sécurité !



**Important ! L'appareil est équipé d'un aimant permanent. Le champ magnétique peut influencer un stimulateur cardiaque.**



### Ce qu'il faut faire

- Débrancher du secteur, sur tous les pôles, tous les appareils se trouvant dans le bassin avant de procéder à des travaux sur l'appareil.
- Débrancher du secteur, sur tous les pôles, tous les appareils se trouvant dans le bassin avant d'entrer dans l'eau.
- Confier le montage et l'entretien des installations électriques à un électricien agréé.
- Débrancher l'appareil du secteur, sur tous les pôles, dès les premiers signes d'un problème.



### Ce qu'il ne faut pas faire

- Ne pas utiliser l'appareil lorsque des personnes se trouvent dans l'eau.
- Ne pas raccourcir le câble de raccordement.
- Ne pas retirer le conducteur ou le contact de mise à la terre.
- Ne pas porter ni tirer l'appareil par le câble de raccordement.
- Ne pas essayer d'ouvrir l'appareil.
- Ne retirer en aucun cas les marquages sur l'appareil ou sur le câble de raccordement.
- Éviter de coincer, de tordre ou d'endommager le câble de raccordement. Une petite entaille, même si ce n'est qu'au niveau de la gaine extérieure, peut suffire à ce que de l'eau pénètre dans le câble. Dès que vous remarquez un endommagement, mettre immédiatement l'appareil hors circuit et le retirer de l'eau. Consulter votre revendeur OASE pour la procédure à suivre. Prendre en compte le fait que tout endommagement implique un risque sérieux d'électrocution. Si l'appareil continue néanmoins à être utilisé, ceci entraîne l'annulation de la garantie légale ou de la garantie commerciale.

## Important conseil de sécurité

### Lire impérativement cette notice d'emploi attentivement avant de mettre l'appareil en service !

Le système d'eau qui est à la base de l'exploitation de ce produit, nécessite des soins et un entretien attentifs, ainsi qu'éventuellement, l'utilisation de produits chimiques pour contrôler les microorganismes et bactéries pathogènes, en particulier les légionelles, responsables de la maladie du légionnaire. Le non-respect de ces consignes pour la maintenance et l'entretien corrects peuvent entraîner la prolifération de bactéries dangereuses pour la santé. Du fait que les ajutages projettent de l'eau dans l'air à des fins décoratives, des gouttes d'eau contenant des bactéries présentant un danger pour la santé peuvent atteindre les poumons et causer des maladies mettant la vie en péril.

Il incombe au propriétaire du système d'eau et des appareils correspondants d'assumer la responsabilité de leur maintenance et de leur entretien selon les lois et les directives en vigueur ainsi que les instructions de service à disposition. Afin d'éviter des impuretés malsaines, nous conseillons instamment au propriétaire de s'occuper du nettoyage et de l'entretien du système d'eau et du jeu d'eau, y compris l'ajutage, ainsi que de prendre toutes les mesures nécessaires pour un entretien des appareils techniques tels que les pompes, les tuyaux flexibles, la tuyauterie, les raccordements serre-câbles, l'éclairage sous-marin et les ajutages, dans le respect de leur fonctionnement et de la sécurité. Le devoir de maintenance et d'entretien n'est cependant pas limité aux produits techniques livrés, mais s'étend bien plus à la totalité du système.

Le propriétaire devrait également documenter tous les comptes-rendus et toutes les données concernant la maintenance et l'entretien ainsi que tous les tests effectués en relation avec le jeu d'eau.

La responsabilité de la garantie de la sécurité du jeu d'eau incombe en fin de compte au propriétaire et à lui seul. OASE n'a aucune influence sur l'utilisation ou la maintenance des appareils vendus et du système. OASE ne peut être rendu responsable que des erreurs de fabrication des appareils OASE.

## Montage



### Attention ! Tension électrique dangereuse.

Une installation électrique incorrecte risque d'entraîner une mise sous tension dangereuse des parties de l'appareil, des raccordements ou de l'eau du bassin.

**Conséquences éventuelles** : mort ou blessures graves lors du contact avec les parties de l'appareils, les raccordements ou de l'eau du bassin.

### Mesures de protection

- Le transformateur et le boîtier de commande à 12 V doivent être installés à une distance de sécurité d'au moins 2 m (6,6 ft) de la berge (E).
- Mettre le transformateur et le boîtier de commande à 12 V en place au sec afin qu'ils soient protégés des éclaboussures. Protéger en plus le transformateur et le boîtier de commande à 12V des rayons du soleil (max. 40 °C / 104 °F).

## Mise en place

### Mise en place du Water Jet Lightning (B, C, D)

Planifier la mise en place du Water Jet Lightning. Tenir compte des longueurs de câbles et de tuyaux pour la planification !

Monter le Water Jet Lightning sur un support fixe en position horizontale. L'appareil est conçu pour une installation à sec et pour une mise en place dans l'eau. Lors d'une installation dans l'eau, la partie supérieure du Water Jet Lightning doit émerger de l'eau d'env. 8 cm (3,2 in).

- Fixer le pied de l'appareil (12) sur la plate-forme, au moyen des 2 vis (13) (non fournies).

### Mise en place de la pompe et raccordement des tuyaux (B, D)

Dans la mesure du possible, mettre en place la pompe (4) en position horizontale. Un placement surélevé permet d'éviter l'aspiration de particules de saletés sur le fond du bassin.

- Détacher l'écrou d'accouplement (14) sur le distributeur en Y (15).
- Visser le réducteur (16) sur la pompe (4) et placer le joint torique (17).
- Visser fixement l'écrou d'accouplement (14) sur le distributeur en Y (15).
- Visser l'embout de tuyau (19) au niveau du Water Jet Lightning (1).
- Faire glisser un collier de serrage (10) sur le tuyau (6).
- Faire glisser le tuyau (6) sur l'embout de tuyau (19) et le fixer avec le collier de serrage (10).
- Raccorder l'autre extrémité du tuyau sur le distributeur en Y (15) et la fixer avec un collier de serrage (10).

### Mise en place du boîtier de commande à 12 V

#### Variante 1 (F)

- Enfoncer toute la longueur de la perche de mise à la terre (8) dans le sol en position voulue.
- Faire glisser le boîtier de commande à 12V (2) sur la perche de mise à la terre (8).

#### Variante 2 (G)

- Visser, sur la surface, le boîtier de commande à 12V (2) avec 4 vis (21) (ne font pas partie de la livraison) dans les fentes pour vis (22) prévues dans le carter du boîtier de commande à 12V (2).

### Mise en place du transformateur (H) :

Mettre le transformateur (5) en place à proximité du boîtier de commande à 12V (2).

**Remarque** : veiller à une pose des câbles exempte de tension !



## Installation électrique

### Raccorder le Water Jet Lightning au boîtier de commande à 12V et au transformateur (H, I)

- Introduire la fiche de pompe sortant de la pompe (23) et les fiches (24) des deux Water Jet Lightning dans les fiches femelles correspondantes pour la pompe (25) et le Water Jet Lightning (26) sur le boîtier de commande à 12V (2).
- Insérer la fiche (27) du câble de raccordement de transformateur du côté secondaire dans la fiche femelle (28) dans la partie arrière du boîtier de commande à 12V (2) et la visser fixement avec l'écrou d'accouplement (29).
- Mettre le capot de protection (3) sur le boîtier de commande à 12V (2).

Remarque : si un seul des deux Water Jet Lightning devait être exploité, insérer impérativement la fiche mâle de pontage (49) dans la deuxième fiche femelle libre (26).

## Mise en service



**Attention ! Endommagement de l'appareil.**

**Mesures de protection :** Ne jamais utiliser l'appareil sans débit d'eau. La pompe en serait détruite.

L'appareil se met automatiquement en marche dès que vous avez établi la connexion avec le réseau. **Attention : tenir compte de la polarité CC +/-.**

**Mise en circuit de l'appareil (J) :** brancher la prise de secteur (30) du transformateur dans la prise de courant.

- L'appareil démarre avec le programme 1 (voir paragraphe Exploitation).

**Mise hors circuit de l'appareil (J) :** retirer la prise de secteur (30) du transformateur.

### Ajuster le Water Jet Lightning et régler l'intensité du jet d'eau (L, M)

**Avant le début des travaux avec les appareils, retirer les prises de secteur de tous les appareils se trouvant dans l'eau (J) !**

#### Réglage de l'angle d'inclinaison (L)

Le diagramme indique les formes que le jet d'eau peut avoir en fonction des différents angles d'inclinaison du Water Jet Lightning.

- Desserrer la vis de fixation (34) sur le pied de l'appareil (33).
- Faire pivoter le Water Jet Lightning dans l'angle d'inclinaison souhaité.
- Resserrer la vis de fixation (34) sur le pied de l'appareil (33).

#### Réglage du jet d'eau (M)

L'intensité du jet d'eau peut être réglée pour le Water Jet Lightning au niveau des robinets du distributeur en Y (9).

- Tourner le robinet correspondant dans le sens horaire : le débit d'eau diminue.
- Tourner le robinet correspondant dans le sens anti-horaire : le débit d'eau augmente.

## Exploitation

	<p>L'émetteur à main vous permet de sélectionner 4 jeux d'eau pré-programmés. Lors de la mise en service et pour chaque remise en circuit de l'appareil, le programme 1 est sélectionné automatiquement.</p> <p>P0 Appareil éteint, mode en veille</p> <p>P1 Jet d'eau constant La lumière blanche est en circuit</p> <p>P2 Jet d'eau constant Variation de lumières colorées</p> <p>P3 Jet d'eau intermittent La lumière blanche est en circuit</p> <p>P4 Jet d'eau intermittent Variation de lumières colorées</p> <p>Sélectionner le programme suivant : touche 1 Sélectionner le programme précédent : touche 2</p> <p><b>Remarque :</b></p> <ul style="list-style-type: none"> <li>- Dans le mode de variation de lumières, il est possible de fixer la couleur en appuyant simultanément sur les touches 1 et 2. Appuyer à nouveau simultanément sur les touches 1 et 2 et le mode de variation de lumières reprend.</li> <li>- Si le Water Jet Lightning est mis en circuit par un minuteur automatique, il démarre toujours avec le programme 1.</li> </ul>
--	---

L'émetteur à main faisant partie de la livraison est déjà programmé pour commander le boîtier de commande à 12 V. Tout autre émetteur à main doit être programmé spécialement pour « apprendre à communiquer » avec le boîtier de commande à 12V.

## Programmation de l'émetteur à main (K)

Le boîtier de commande à 12V (2) est équipé d'une touche de programmation (31) servant à programmer l'émetteur à main.

- Introduire un élément pointu (32) dans l'ouverture pour la touche de programmation (31).
- Actionner la touche de programmation (31) au moyen de l'élément pointu (32) pendant env. 1 s.
- Appuyer pendant au moins 1 seconde sur une touche quelconque de l'émetteur à main.

## Effacement de l'émetteur à main (K)

- Actionner la touche de programmation (31) au moyen d'un élément pointu (32) pendant au moins 5 s.
- Tous les émetteurs à main mémorisés dans le boîtier de commande à 12V (2) sont effacés.

**Remarque :** Il est possible de régler jusqu'à 10 émetteurs à main sur le récepteur. La portée maximale de l'émetteur à main est de 80 m (260 ft). Des obstacles entre l'émetteur et le récepteur, une pile faible ou un rayonnement électromagnétique des appareils électriques amenuisent la portée.

## Nettoyage et entretien

**Avant le début des travaux avec les appareils, retirer les prises de secteur de tous les appareils se trouvant dans l'eau (J) !**

### Nettoyage du Water Jet Lightning (N, O)

- Desserrer la partie supérieure (34) en tournant légèrement la partie inférieure du carter (36) et la retirer avec le joint torique (35).
- Sortir la mousse filtrante (37) et dévisser l'unité DEL (38).
- Nettoyer toutes les pièces à l'eau courante avec une brosse douce.
- Presser plusieurs fois la mousse filtrante (37) sous l'eau courante.

### Nettoyage de la pompe (D, P)

- Desserrer l'écrou d'accouplement (14) sur le distributeur en Y (15).
- Dévisser le réducteur (16) de la pompe (4) et retirer le distributeur en Y (15).
- Retirer le carter du moteur (39) de la fixation à encliquetage du filtre à insertion (40).
- Effectuer une légère rotation pour retirer le carter de la pompe (41) et retirer la turbine (42).
- Nettoyer toutes les pièces à l'eau courante avec une brosse douce.

### Montage des appareils (N, O, D, P)

- Remonter les appareils dans l'ordre inverse.

### Remplacement de la pile dans l'émetteur à main (Q, R)



#### Tout traitement inapproprié peut endommager l'émetteur à main !

- Toucher une surface métallique nue (p. ex. un radiateur) pour dériver la charge électrostatique qui pourrait endommager les composants internes de l'émetteur à main !
- Veiller à ce qu'aucun encrassement et qu'aucune humidité ne pénètrent dans l'émetteur à main !
- Introduire un tournevis plat (43) dans l'ouverture latérale (44) de l'émetteur à main.
- Ouvrir le carter de l'émetteur à main par une légère rotation du tournevis et soulever la partie inférieure du boîtier (45).
- Sortir la pile (46) de son support (47).
- Faire glisser la nouvelle pile (type CR 2032) dans le support (47). Veiller à ce que le côté avec la marque (48) de la pile soit bien tournée vers le haut.

## Stockage/entreposage pour l'hiver

Il est nécessaire de désinstaller l'appareil en cas de gel. Effectuer un nettoyage approfondi et contrôler la présence éventuelle de dommages sur l'appareil. Conserver le Water Jet Lightning à l'abri du gel et, et la pompe à l'abri du gel et immergée, et dans un récipient rempli d'eau (figure S). La prise ne doit pas se trouver sous l'eau.

## Recyclage

Recycler l'appareil conformément aux réglementations nationales légales en vigueur.

## Élimination des dérangements

Dérangement	Cause	Remède
La pompe ne se met pas en circuit	Aucune tension de secteur	Vérifier la tension de secteur Contrôler les conduites d'amenée
	La télécommande n'est pas programmée	Programmer la télécommande
La diode DEL ne s'allume pas	Les deux fiches femelles au niveau de la boîte de commande à 12V ne sont pas occupées.	– Insérer les fiches mâles des deux Water Jet Lightning dans les fiches femelles – Si un seul Water Jet Lightning est exploité, insérer la fiche mâle de pontage dans la deuxième fiche femelle.
Hauteur de jet insuffisante	La turbine est bloquée ou encrassée	Nettoyer la turbine
	L'enveloppe filtrante de la pompe est encrassée	Nettoyer l'enveloppe filtrante
	Les ajutages sont colmatés	Nettoyer les ajutages
	La mousse est encrassée	Rincer la mousse
	Le tuyau est plié	Poser le tuyau avec un coude suffisamment grand.
	Distributeur en Y est colmaté	Ouvrir les robinets et nettoyer le distributeur en Y
	Les robinets sur le distributeur en y sont fermés	Ouvrir les robinets
	Le distributeur en Y est mal réglé	Régler le distributeur en Y uniformément

## Garantie limitée

OASE offre pour ce produit une garantie limitée **de deux ans**. La durée de la garantie limitée prend effet à la date d'achat initiale et la garantie s'applique aux vices de matériau ainsi que de fabrication, ou aux vices de fonctionnement du produit qui diffèrent des fonctionnements spécifiés par OASE.

Cette garantie limitée ne s'applique pas aux vices ou problèmes causés par

- une installation incorrecte du produit (consulter les instructions de service pour une installation en bonne et due forme);
- des modifications de quelque type que ce soit, effectuées sur le produit, y compris des tentatives de réparation sur le produit qui n'auraient pas été exécutées par un technicien réparateur agréé par OASE;
- des phénomènes d'usure naturelle (tels que, entre autres, l'usure au niveau des turbines dans les pompes, des nattes filtrantes et des éléments filtrants dans les filtres, des ampoules dans les lampes et dans les cuves de clarification UV);
- le non-respect des directives de sécurité, d'entretien et de maintenance comme elles sont décrites dans ces instructions de service ou déterminées de temps en temps par OASE;
- des défauts provoqués par un traitement inapproprié;
- des défauts ou des détériorations provoqués par une utilisation abusive du produit, y compris, entre autres, le non-respect des instructions de service.

Dans le cadre de cette garantie limitée, OASE s'engage exclusivement à remplacer le produit tombant sous le coup de cette garantie limitée ou à réparer ce produit. OASE ne peut être tenue pour responsable des dommages consécutifs au niveau des jardins aquatiques, des étangs, des installations à jeux d'eau, au niveau du paysage, au niveau de la construction ou des parties de la construction dans laquelle le produit est placé ou utilisé, y compris les dommages au niveau des poissons, des animaux ou des plantes dans l'eau ou dans l'environnement des jardins aquatiques, des étangs ou des installations à jeux d'eau.

LES PRESTATIONS DE GARANTIE REPRISES EXPLICITEMENT DANS LE PRÉSENT DOCUMENT SONT LES SEULES PRESTATIONS DE GARANTIE POUR LES APPAREILS ET LES PRESTATIONS DE GARANTIE REPRISES DANS CE DOCUMENT SONT LES SEULES PRESTATIONS POSSIBLES EN CAS DE VIOLATION DE GARANTIE. OASE REFUSE EXPLICITEMENT DE GARANTIR TOUTE EXPLOITABILITÉ GÉNÉRALE (MERCHANTABILITY) OU TOUTE APTITUDE À ÊTRE EXPLOITÉE POUR UNE FINALITÉ PRÉCISE. OASE NE PEUT EN AUCUN CAS ÊTRE RENDUE RESPONSABLE DE DOMMAGES CONSÉCUTIFS FORTUITS OU MÉDIATS DE QUELQUE TYPE QUE CE SOIT, DE TOUT GENRE DE VIOLATION DE GARANTIE, NI DE TOUTE AUTRE MANIÈRE.

Quelques états fédéraux n'autorisent pas l'exclusion ou la restriction des dommages fortuits ou médiats, dans ce cas la restriction ci-dessus est sans effet pour vous.

Si votre produit OASE devait présenter un défaut ou un vice de fonctionnement dans le cadre de cette garantie limitée, emportez-le chez votre revendeur OASE, sans oublier la preuve d'achat d'origine, ni les autres documents de garantie, pour qu'il puisse le remplacer ou le réparer.

Si vous avez des questions concernant la garantie limitée, merci de les faire parvenir par courriel à l'adresse OASE suivante : [warranty@oase-livingwater.com](mailto:warranty@oase-livingwater.com).

Garantie sur demande / prolongation de la garantie limitée

Veuillez remplir cette carte de garantie sur demande ou vous inscrire en ligne

sous [www.oase-livingwater.com](http://www.oase-livingwater.com), et vous obtiendrez une prolongation de 1 an de votre garantie limitée. Dès que vos données seront à disposition chez OASE, nous vous enverrons votre certificat de garantie par courrier électronique ou par la poste. Veuillez imprimer ce certificat et le conserver avec la preuve d'achat.

## Indicaciones sobre este manual de instrucciones de uso

Antes de utilizar por primera vez el equipo lea las instrucciones de uso y familiarícese con el mismo. Tenga necesariamente en cuenta las indicaciones de seguridad para garantizar un uso correcto y seguro del equipo.

Guarde cuidadosamente estas instrucciones de uso. Entregue estas instrucciones de uso al nuevo propietario en caso de cambio de propietario. Todos los trabajos con este equipo sólo se deben ejecutar conforme a estas instrucciones.

## Volumen de suministro

Ilustración A	Cantidad	Descripción
1	2	Water Jet Lightning
2	1	Caja de control de 12 V
3	1	Cubierta protectora
4	1	Bomba, 12 V
5	1	Transformador
6	1	Tubo flexible de tejido de 6 m (20 ft), 3/4 "
7	1	Emisor manual (inclusive batería, tipo CR 2032)
8	1	Varilla de tierra
9	1	Distribuidor en Y
10	4	Abrazadera de tubo flexible
11	1	Boquilla de tubo flexible
49	1	Clavija de puentado

## Disposiciones legales

### Uso conforme a lo prescrito

El "Water Jet Lightning", denominado a continuación "equipo" es un surtidor con efecto de fuente con iluminación LED para el emplazamiento fijo. El equipo sólo se puede operar con agua de estanque limpia a una temperatura del agua entre 4°C a +35°C (39-95°F) y una tensión de servicio de 120 voltios.

El equipo se apropia para ser empleado en **estanques para nadar y piscinas (ilustración E)** si se cumplen las prescripciones de construcción nacionales.

### Uso no conforme a lo prescrito

En caso de un uso no conforme a lo prescrito y un tratamiento inadecuado, el equipo puede poner en peligro las personas. En caso de un uso no conforme a lo prescrito expira nuestra garantía así como el permiso de funcionamiento general.

## Indicaciones de seguridad



### Indicaciones de seguridad

- Compruebe si los datos sobre la alimentación de corriente en la placa de datos técnicos de su equipo coinciden con su conexión a la red.
- Conecte el equipo sólo a una red de corriente puesta a tierra con interruptor diferencial que responda a las prescripciones locales o nacionales (p. ej. NEC, UL, CSA, IEC). En caso de dudas póngase en contacto con un electricista autorizado.
- No emplee componentes adicionales, cables de prolongación, cables de conexión ni cables adaptados que no estén puestos a tierra.
- No utilice nunca el equipo mientras hayan personas en el agua.
- Asegure que las instalaciones dentro y junto al estanque respondan a las directivas de instalación locales y nacionales. En caso de dudas póngase en contacto con un electricista autorizado.
- Antes de realizar trabajos en el equipo desconecte todos los polos de la tensión de alimentación.
- No transporte ni tire nunca el equipo por la línea de conexión.
- Mantenga secos los extremos de línea, contactos, clavijas de enchufe o puntos de conexión abiertos.
- No ponga en funcionamiento el equipo si la línea o la caja están dañados.
- Tienda las líneas de forma que estén protegidas contra posibles daños.
- No abra nunca el equipo si esto no está descrito en estas instrucciones. Sólo el fabricante puede realizar reparaciones o sustituir las líneas en el equipo.

**ATENCIÓN** Este equipo está prescrito para que funcione en el jardín. **No** emplee el equipo en piscinas, baños de burbujas, whirlpools, etc.



### Instalación eléctrica conforme a lo prescrito

- Los equipos de Oase deben estar puestos a tierra y protegidos conforme a lo prescrito a través de un interruptor diferencial (corriente de fuga < 30 mA).
- Pregunte a su empresa eléctrica local los valores de conexión eléctricos o requisitos para las instalaciones eléctricas.
- Si la línea de conexión es muy corta recomendamos que encargue a un electricista autorizado la instalación de un punto de conexión al alcance del cable de conexión o una prolongación autorizada del cable.
- Evite un doblado o abrasión excesiva de las líneas.
- Cualquier modificación en el equipo significa un incumplimiento de la autorización CSA o sus disposiciones. En este caso expira de inmediato la garantía comercial o garantía legal.



### ADVERTENCIA

¡Peligro de choque eléctrico! **Tenga en cuenta que los puntos de conexión de los cables estén secos.**

El transformador de seguridad y la conexión de enchufe de las conducciones de corriente contenidas en el volumen de suministro no son impermeables al agua, sino que sólo están protegidas contra la lluvia y los chorros de agua. Por esta razón estos no se deben emplazar ni montar en el agua. Proteja la conexión de enchufe contra la humedad. El transformador de seguridad tiene que tener una distancia mínima de 2 m (6,6 ft) al borde del estanque. Coloque la línea de conexión protegida para que no se dañe. Emplee sólo cables que estén prescritos para el uso exterior.

Opere sólo el equipo con el transformador de seguridad correspondiente contenido en el volumen de suministro. No abra nunca la caja o sus componentes a no ser que esto se autorice expresamente en las instrucciones de uso. Saque siempre la clavija de la red de todos los equipos que se encuentran en el agua antes de ejecutar trabajos en el equipo. En caso de preguntas y problemas diríjase para su propia seguridad a una persona especializada en eléctrica.



¡Importante! **El equipo está equipado con un imán permanente. El campo magnético puede influir en el marcapasos.**



### ¿Qué debe hacer?

- Antes de realizar trabajos en el equipo separe de la red todos los polos de todos los equipos que se encuentran en el estanque.
- Antes de entrar en el agua separe de la red todos los polos de todos los equipos que se encuentran en el estanque.
- Encargue todas las instalaciones eléctricas y su mantenimiento a un electricista autorizado.
- Separe de la red todos los polos del equipo tan pronto hayan indicios de un problema.



### ¿Qué no debe hacer?

- No utilice el equipo cuando hayan personas en el agua.
- No acorte la línea de conexión.
- No quite el conductor a tierra o contacto a tierra.
- No transporte ni tire el equipo por la línea de conexión.
- No trate de abrir el equipo.
- No elimine por ninguna razón las rotulaciones en el equipo o la línea de conexión.
- Evite un aplastamiento, doblado o daños de la línea de conexión. Un pequeño corte también sólo en la envoltura exterior puede ser suficiente para que entre agua en la línea. Tan pronto observe un daño ponga de inmediato el equipo fuera de servicio y sáquelo del agua. Pregunte a su comerciante OASE como debe proceder. Tenga en cuenta que cualquier daño de la línea de conexión significa un grave riesgo de choque eléctrico. Si se continúa operando el equipo expira de inmediato la garantía comercial o garantía legal.

## Indicación de seguridad importante

**¡Antes de poner el equipo en funcionamiento lea minuciosamente estas instrucciones!**

El sistema de agua, que se toma como base para el funcionamiento de este producto, requiere un cuidado y mantenimiento minuciosos y posiblemente también el empleo de productos químicos para limitar los microorganismos y las bacterias patógenas, especialmente también las legionellas, que provocan la legionelosis. En caso de incumplimiento de esta indicación para un mantenimiento y cuidado correctos se pueden propagar las bacterias peligrosas para la salud. Dado que las toberas de agua distribuyen para fines de decoración el agua en el aire, las gotas de agua contaminadas con bacterias peligrosas para la salud puede llegar a los pulmones y provocar enfermedades que amenazan la vida.

El propietario del sistema de agua y de los equipos correspondientes es responsable del mantenimiento y el cuidado de los mismos conforme a las leyes, directivas e instrucciones válidas. Para evitar suciedades peligrosas para la salud recomendamos al propietario ocuparse necesariamente de la limpieza y del cuidado del sistema de agua y de los efectos de fuente inclusive de la tobera así como tomar todas las medidas necesarias para mantener los equipos técnicos, como bombas, tubos flexibles, tubos, conectores de abrazaderas de cable, iluminación bajo agua y toberas en razón del funcionamiento y la seguridad. El deber de mantenimiento y cuidado no sólo se limita a los productos técnicos suministrados sino a todo el sistema.

El propietario también debe documentar todos los protocolos y datos del mantenimiento y cuidado así como todas las pruebas de agua que se ejecutaron en relación con los efectos de fuente.

Sólo el propietario es el único responsable de la seguridad de los efectos de fuente. OASE no tiene ninguna influencia en el uso o el mantenimiento de los equipos vendidos y el sistema. De OASE sólo se puede reclamar la responsabilidad de los errores de fabricación en los equipos de OASE.

## Montaje



**¡Atención! Tensión eléctrica peligrosa.**

Una instalación eléctrica incorrecta puede conllevar a una tensión eléctrica peligrosa en las piezas del equipo, en los puntos de conexión y en el agua del estanque.

**Posibles consecuencias:** La muerte o graves lesiones si se tocan las piezas del equipo, los puntos de conexión y el agua del estanque.

**Medidas de protección:**

- El transformador y la caja de control de 12 V se deben emplazar a una distancia de seguridad mínima de 2 m (6,6 ft) a la orilla (E).
- Emplace el transformador y la caja de control de 12 V en un lugar seco y protegido contra las salpicaduras de agua. Proteja el transformador y la caja de control de 12 V adicionalmente contra la radiación solar (max. 40 °C / 104 °F).

## Emplazamiento

### Emplazamiento del Water Jet Lightning (B, C, D)

Haga un plano para emplazar el Water Jet Lightning. ¡Tenga en cuenta en el plano las longitudes de los cables y tubos flexibles!

El Water Jet Lightning se tiene que montar en posición horizontal sobre una base fija. El equipo se apropia para el emplazamiento en seco y en el agua. Si el Water Jet Lightning se emplaza en el agua la parte superior del equipo debe sobresalir aprox. 8 cm (3,2 in) del agua.

– Fije el pie del equipo (12) con 2 tornillos (13) (no incluidos en el volumen de suministro) en la base.

### Emplazamiento de la bomba y conexión de los tubos flexibles (B, D)

Emplace la bomba (4) **horizontal si fuera posible**. Un emplazamiento a cierta altura evita la aspiración de partículas de suciedad del fondo del estanque.

- Suelte la tuerca racor (14) en el distribuidor en Y (15).
- Atornille el reductor (16) en la bomba (4) y coloque la junta tórica (17).
- Apriete la tuerca racor (14) en el distribuidor en Y (15).
- Enrosque la boquilla portatubo (19) en el Water Jet Lightning (1).
- Ponga una abrazadera de tubo flexible (10) sobre el tubo flexible (6).
- Coloque el tubo flexible (6) en la boquilla portatubo (19) y fíjelo con la abrazadera de tubo flexible (10).
- Conecte el otro extremo del tubo flexible en el distribuidor en Y (15) y fíjelo con una abrazadera de tubo flexible (10).

### Emplazamiento de la caja de control de 12 V

#### Variante 1 (F)

- Introduzca la varilla de tierra (8) en la posición deseada con toda su longitud en el suelo.
- Ponga la caja de control de 12 V (2) sobre la varilla de tierra (8).

**Variante 2 (G)**

- Atornille la caja de control de 12 V (2) con 4 tornillos (21) (no incluidos en el suministro) en la base pasando por las ranuras de tornillos (22) que se encuentran en la carcasa de la caja de control de 12 V (2).

**Emplazamiento del transformador (H)**

Ponga el transformador (2) cerca de la caja de control de 12 V (2).

**Nota:** Tienda el cable sin carga de tracción.

**Instalación eléctrica**

Conexión del Water Jet Lightning con la caja de control de 12 V y el transformador (H, I)

- Enchufe la clavija de bomba (23) que sale de la bomba y las clavijas (24) de los dos Water Jet Lightning en los conectores correspondientes para la bomba (25) y el Water Jet Lightning (26) en la caja de control de 12V (2).
- Enchufe la clavija (27) del cable de conexión del transformador del lado secundario en el conector (28) que se encuentra en el lado trasero de la caja de control de 12 V (2) y fíjela con la tuerca racor (29).
- Ponga la cubierta protectora (3) sobre la caja de control de 12 V (2).

**Nota:** Si se pretende operar sólo uno de los dos Water Jet Lightning se tiene que enchufar la clavija de puentado (49) en el segundo conector libre (26).

**Puesta en marcha**

**¡Cuidado! El equipo se puede dañar.**

**Medidas de protección:** No opere nunca el equipo sin circulación de agua. La bomba se destruye.

El equipo se conecta automáticamente cuando se haya realizado la conexión eléctrica. **Atención: tenga en cuenta la polaridad CC +/-.**

**Conexión del equipo (J):** Enchufe la clavija de red (30) del transformador en el tomacorriente.

- El equipo arranca con el programa 1 (véase capítulo Operación).

**Desconexión del equipo (J):** Saque la clavija de red (30) del transformador.

**Alineación del Water Jet Lightning y ajuste de la intensidad del chorro de agua (L, M)**

**Saque las clavijas de red de todos los equipos que se encuentran en el agua antes de realizar cualquier trabajo en los equipos (J).**

**Ajuste del ángulo de inclinación (L)**

El diagrama muestra las formas del chorro de agua con los diferentes ángulos de inclinación del Water Jet Lightning.

- Suelte el tornillo de fijación (34) en el pie del equipo (33).
- Bascule el Water Jet Lightning en el ángulo de inclinación deseado.
- Apriete el tornillo de fijación (34) en el pie del equipo (33).

**Ajuste del chorro de agua (M)**

La intensidad del choro de agua del Water Jet Lightning se puede regular en los grifos del distribuidor en Y (9).

- Gire el grifo correspondiente a la derecha: el paso de agua disminuye.
- Gire el grifo correspondiente a la izquierda: el paso de agua aumenta.

**Operación**

	<p>Con el emisor manual se pueden seleccionar 4 efectos de fuentes preprogramados. A la puesta en marcha y a cada nueva conexión del equipo está seleccionado automáticamente el programa 1.</p> <p>P0 Equipo desconectado, modo de reserva</p> <p>P1 Chorro de agua constante Luz blanca conectada</p> <p>P2 Chorro de agua constante Cambio de luz de colores</p> <p>P3 Chorro de agua pulsante Luz blanca conectada</p> <p>P4 Chorro de agua pulsante Cambio de luz de colores</p> <p>Selección del próximo programa: Tecla 1 Selección del programa anterior: Tecla 2</p> <p><b>Nota:</b></p> <ul style="list-style-type: none"> <li>– Cuando cambie la luz se puede ajustar un color fijo pulsando simultáneamente las teclas 1 y 2. Si se pulsan otra vez simultáneamente las teclas 1 y 2 la luz cambia de nuevo su color.</li> <li>– Si el Water Jet Lightning se conecta a través de un temporizador siempre arranca primero el programa 1.</li> </ul>
--	---

El emisor manual contenido en el suministro ya está ajustado a la caja de control de 12 V. Todos los otros emisores manuales se deben ajustar por Vd. a la caja de control de 12 V.

#### **Ajuste del emisor manual (K)**

La caja de control de 12 V (2) tiene una tecla de ajuste (31) para ajustar el emisor manual.

- Introduzca un lápiz (32) en el orificio para la tecla de ajuste (31).
- Pulse la tecla de ajuste (31) con el lápiz (32) aprox. 1 s.
- Pulse cualquier tecla en el emisor manual como mínimo 1 s.

#### **Borrado del emisor manual (K)**

- Pulse la tecla de ajuste (31) con un lápiz (32) como mínimo 5 s.
- Todos los emisores manuales almacenados en la caja de control de 12 V están borrados (2).

**Nota:** Se pueden ajustar como máximo 10 emisores manuales al receptor. El alcance máximo del emisor manual asciende a 80 m (260 ft). Obstáculos entre el emisor y el receptor, una batería débil del emisor manual o la radiación electromagnética de equipos eléctricos merman el alcance.

### **Limpieza y mantenimiento**

**Saque las clavijas de red de todos los equipos que se encuentran en el agua antes de realizar cualquier trabajo en los equipos (J).**

#### **Limpieza del Water Jet Lightning (N, O)**

- Gire ligeramente la parte superior (34) para quitarla de la parte inferior de la carcasa (36) junto con la junta tórica (35).
- Saque el elemento de espuma filtrante (37) y desenrosque la unidad LED (38).
- Limpie todas las piezas bajo agua corriente con un cepillo suave.
- Exprima el elemento de espuma filtrante (37) varias veces bajo agua corriente.

#### **Limpieza de la bomba (D, P)**

- Suelte la tuerca racor (14) en el distribuidor en Y (15).
- Desatornille el reductor (16) de la bomba (4) y quite el distribuidor en Y (15).
- Saque la carcasa del motor (39) del soporte de retención del filtro de encaje (40).
- Gire ligeramente la carcasa de la bomba (41) para sacarla y quite la rueda (42).
- Limpie todas las piezas bajo agua corriente con un cepillo suave.

#### **Montaje de los equipos (N, O, D, P)**

- Monte los equipos en secuencia contraria.

#### **Cambio de la batería en el emisor manual (Q, R)**



#### **El emisor manual se puede dañar por un manejo inadecuado.**

- Toque una superficie de metal no recubierta (p. ej. un radiador) para evacuar las cargas estáticas que pueden dañar los componentes internos del emisor manual.
- Garantice que ninguna suciedad o humedad entre en el emisor manual.
- Introduzca un destornillador con ranura (43) en el orificio lateral (44) del emisor manual.
- Abra la carcasa del emisor manual girando ligeramente el destornillador y quite la parte inferior de la carcasa (45).
- Saque la batería (46) del soporte (47).
- Ponga la nueva batería (tipo CR 2032) en el soporte (47). Garantice que el lado grabado (48) de la batería indique hacia arriba.

### **Almacenamiento / Conservación durante el invierno**

Desinstale el equipo en caso de heladas. Limpie minuciosamente el equipo y compruebe si está dañado. Almacene el Water Jet Lightning exento de heladas y la bomba exenta de heladas y sumergida en un recipiente con agua (ilustración S). No sumerja la clavija.

### **Desecho**

Deseche el equipo conforme a las prescripciones legales nacionales.



## Eliminación de fallos

Fallo	Causa	Acción correctora
La bomba no se conecta	No hay tensión de alimentación	Compruebe la tensión de alimentación Controle las líneas de alimentación
	Telemando no programado	Programe el telemando
El LED no ilumina	Las clavijas no están conectadas con los dos conectores en la caja de control de 12 V.	– Enchufe las clavijas de los dos Water Jet Lightning en los conectores. – Si sólo se opera un Water Jet Lightning enchufe la clavija de puentado en el segundo conector.
	Altura del surtidor insuficiente	
	Rueda bloqueada o sucia	Limpie la rueda
	Carcasa de filtro de la bomba sucia	Limpie la carcasa de filtro
	Boquillas sucias	Limpie las boquillas
	Espuma filtrante sucia	Lave la espuma filtrante
	Tubo flexible doblado	Tienda el tubo flexible con un codo suficiente
	Distribuidor en Y obstruido	Abra los grifos y limpie el distribuidor en Y
	Los grifos en el distribuidor en Y están cerrados	Abra los grifos
	Distribuidor en Y mal ajustado	Ajuste el distribuidor en Y uniformemente

## Garantía limitada

OASE asume para este producto una garantía limitada de **dos años**. La garantía comienza con la fecha de la compra original y se extiende a defectos de material y fabricación o a aquellos defectos funcionales del producto que tienen como consecuencia que el producto no tenga las funcionalidades especificadas por OASE.

Esta garantía limitada no se extiende a defectos o problemas provocados por

- la falsa instalación del producto (véase instrucciones de servicio para la instalación prescrita);
- modificaciones de cualquier tipo del producto incluyendo los intentos de reparación del producto que se hicieron por un técnico de reparación no autorizado por OASE;
- desgaste normal (incluyendo entre otros los fenómenos de desgaste en las ruedas de bombas, las esteras y los elementos filtrantes en los filtros, lámparas en los equipos de luz y el decantador UV);
- incumplimiento de las directivas de seguridad, cuidado y mantenimiento descritas en estas instrucciones de servicio o determinadas por OASE en intervalos regulares;
- defectos que surgen por un tratamiento inadecuado;
- defectos o daños causados por el abuso del producto incluyendo entre otras cosas el incumplimiento de las instrucciones de servicio.

En el marco de esta garantía limitada OASE se responsabiliza exclusivamente por que se sustituya o repare el producto sometido a esta garantía limitada. OASE se responsabiliza por los daños consecuenciales en el jardín acuático, el estanque, el surtidor, el paisaje, la estructura o partes de la estructura en la cual se emplaza o emplea el producto inclusive los daños a los peces, animales o plantas en el agua o en el entorno del jardín acuático, el estanque o el surtidor.

LAS PRESTACIONES DE GARANTÍA EXPLÍCITAS AQUÍ MENCIONADAS SON LAS ÚNICAS PRESTACIONES DE GARANTÍA PARA LOS EQUIPOS Y LAS PRESTACIONES DE GARANTÍA AQUÍ MENCIONADAS SON LAS ÚNICAS PRESTACIONES POSIBLES EN EL CASO DE UNA INFRACCIÓN DE GARANTÍA. OASE RECHAZA EXPRESAMENTE CUALQUIER PROMESA IMPLÍCITA DE UNA IDONEIDAD PARA EL USO GENERAL (MERCHANTABILITY) O APTITUD PARA UN FIN DETERMINADO. BAJO NINGUNAS CIRCUNSTANCIAS OASE PUEDE SER CONSIDERADO RESPONSABLE POR DAÑOS CONSECUENCIALES CASUALES O INDIRECTOS DE CUALQUIER TIPO, POR CUALQUIER INFRACCIÓN DE GARANTÍA O DE OTRO MODO.

Algunos Estados federales no permiten la exclusión o la limitación de daños casuales o indirectos. En este caso la limitación arriba mencionada no tiene validez para Vd.

En caso que su producto de OASE tenga un defecto o fallo funcional cubierto por esta garantía limitada entregue el producto junto con el comprobante de compra original y los otros documentos de garantía a su comerciante de OASE para que podamos sustituir o reparar el producto.

En caso que tenga preguntas acerca de esta garantía limitada envíenos un mensaje de correo electrónico a la dirección siguiente de OASE: [warranty@oase-livingwater.com](mailto:warranty@oase-livingwater.com).

Garantía de requisitos / prolongación del tiempo de garantía limitado

Rellene esta tarjeta de garantía de requisitos o regístrese online

en [www.oase-livingwater.com](http://www.oase-livingwater.com) y recibirá una prolongación de 1 año de su tiempo de garantía limitado. Tan pronto entre sus datos en OASE le mandaremos su certificado de garantía sobre la prolongación por correo electrónico o correo. Imprima este certificado y guárdelo junto con el comprobante de compra.

## Appendix A - Regulatory Compliance Information

Model No.: WERC11282

FCC ID: WVAWERC11282

IC ID: 8040A-WERC11282

### Compliance Statement:

This device complies with part 15 of the FCC Rules. Operation is subject to the following two conditions: (1) This device may not cause harmful interference, and (2) this device must accept any interference received, including interference that may cause undesired operation.

Changes or modifications not expressly approved by OASE could void the users authority to operate the equipment.

Note: This equipment has been tested and found to comply with the limits for a Class B digital device, pursuant to part 15 of the FCC Rules. These limits are designed to provide reasonable protection against harmful interference in a residential installation. This equipment generates, uses and can radiate radio frequency energy and, if not installed and used in accordance with the instructions, may cause harmful interference to radio communications. However, there is no guarantee that interference will not occur in a particular installation. If this equipment does cause harmful interference to radio or television reception, which can be determined by turning the equipment off and on, the user is encouraged to try to correct the interference by one or more of the following measures:

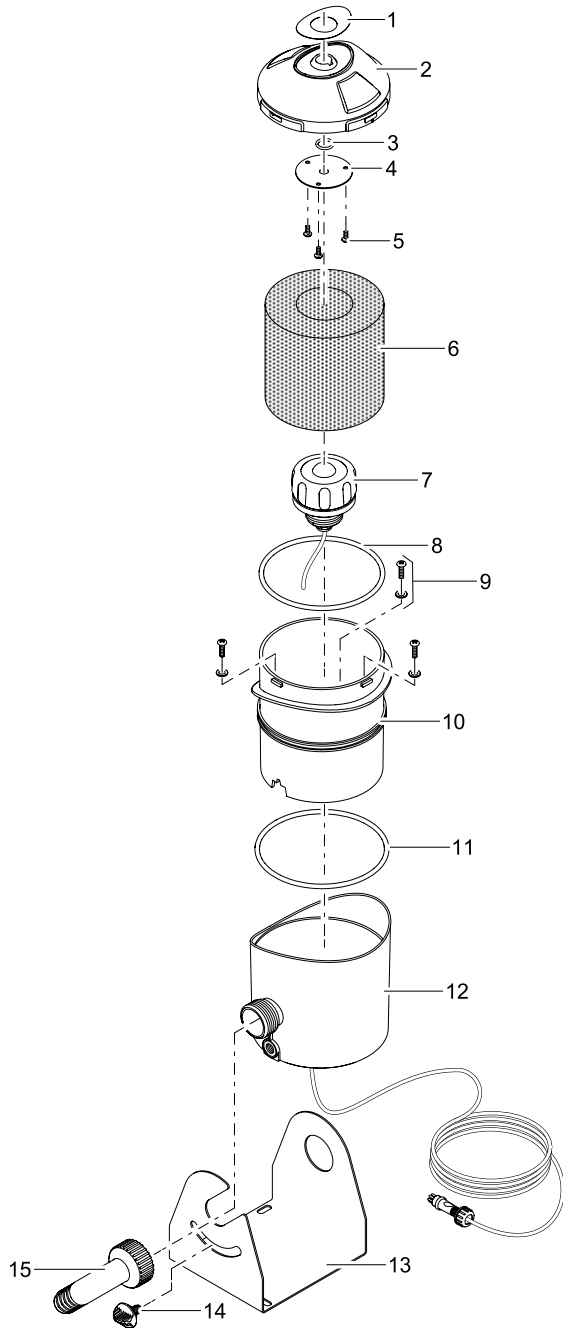
- Reorient or relocate the receiving antenna.
- Increase the separation between the equipment and receiver.
- Connect the equipment into an outlet on a circuit different from that to which the receiver is connected.
- Consult the dealer or an experienced radio/TV technician for help.

L'utilisation de ce dispositif est autorisée seulement aux conditions suivantes: (1) il ne doit pas produire de brouillage et (2) l'utilisateur du dispositif doit être prêt à accepter tout brouillage radioélectrique reçu, même si ce brouillage est susceptible de compromettre le fonctionnement du dispositif

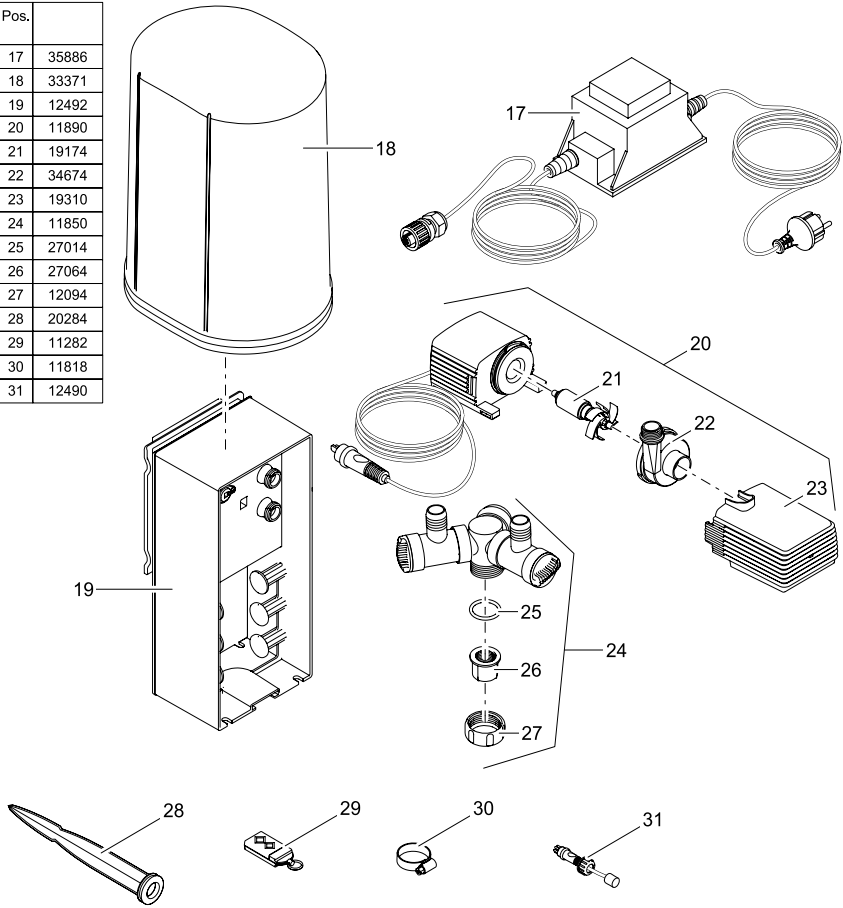
Responsible party (contact for FCC matters only):

OASE North America, Inc.  
Attn: Corporate Compliance  
400 E. Parkridge Ave #101  
Corona, CA 92879

Pos.	
1	11513
2	11273
3	3517
4	11343
5	11498
6	11519
7	11353
8	11497
9	11631
10	11275
11	11497
12	12434
13	11329
14	28924
15	11500



Pos.	
17	35886
18	33371
19	12492
20	11890
21	19174
22	34674
23	19310
24	11850
25	27014
26	27064
27	12094
28	20284
29	11282
30	11818
31	12490











**OASE North America INC.**  
[www.oase-livingwater.com](http://www.oase-livingwater.com)