



4,000 GPD R.O. SYSTEM

GENERAL SPECIFICATIONS

Product SKU	CQE-CO-02028R
Gallons Per Day*	4,000 GPD
Approx. Dimensions	L 30" x W 38" x H 47"
Approx. Weight	235 lbs.
Recovery**	33% - 50%
Operating Pressure	150 psi
Maximum TDS	2,000 ppm
Chlorine Tolerance	<1 ppm
Turbidity	1 NTU

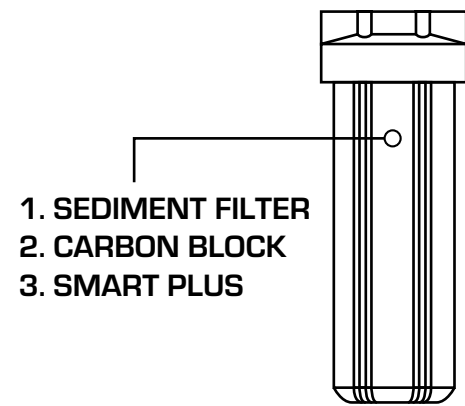
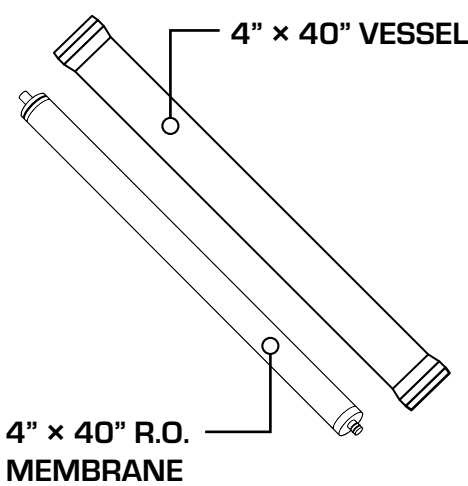
MECHANICAL SPECIFICATIONS

Motor HP	1
Voltage (Volts)	110/220
Hertz	50/60

CONNECTION SPECIFICATIONS

Feed Connection	1"
Product Connection	1"
Waste Connection	1"

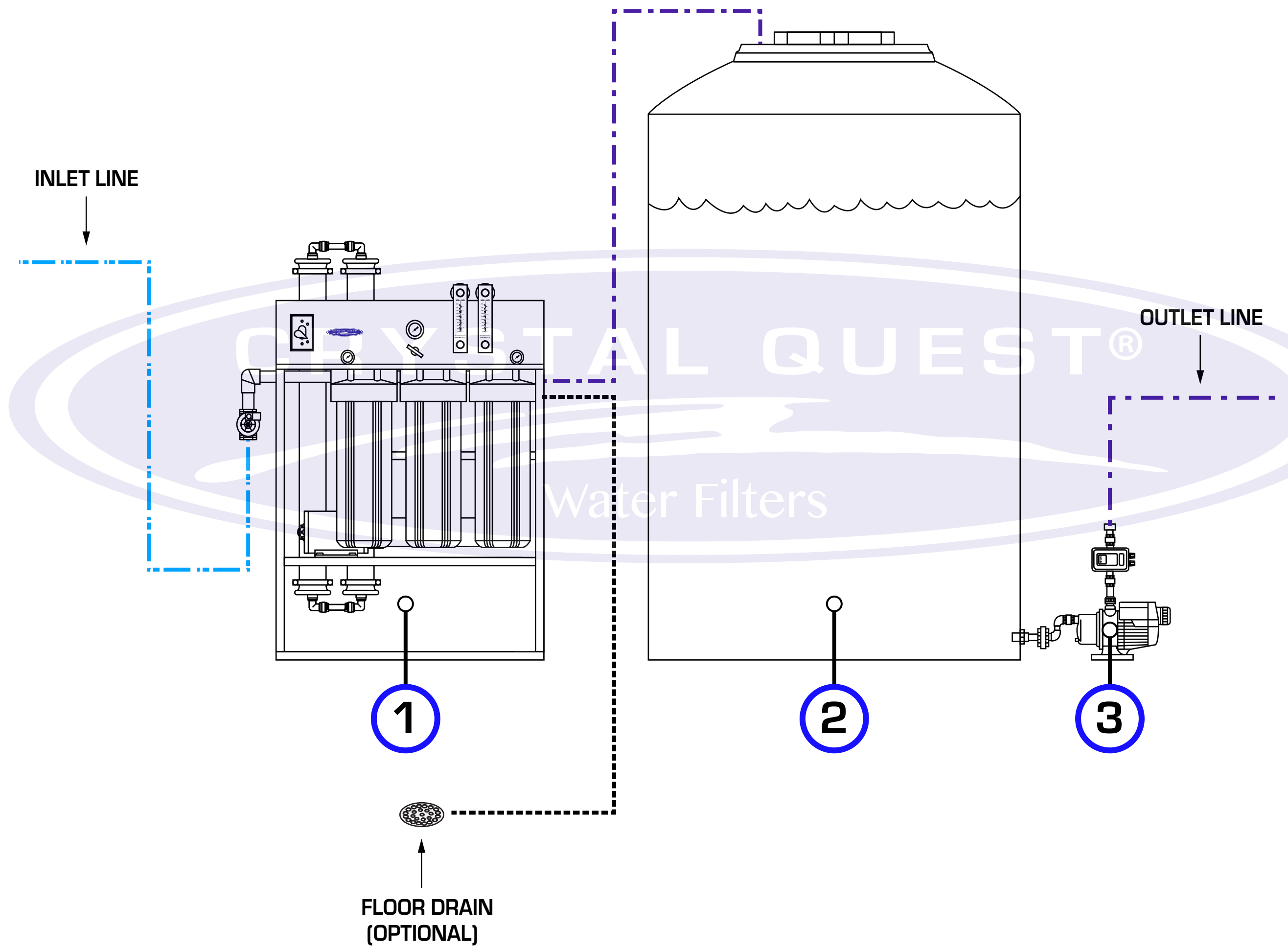
MEMBRANE/PRE-TREATMENT SPECIFICATIONS



1. SEDIMENT FILTER
2. CARBON BLOCK
3. SMART PLUS

Dimensions	4" x 40"	Dimensions	5" x 20"
Vessel Qty.	2	Vessel Qty.	3

FLOW TYPE CHART	
INFLUENT WATER	— · — · — · — · —
PRODUCT WATER	- - - - -
WASTE WATER



ORDER OF OPERATION:	PRODUCT SKU:	DIMENSIONS:	COMMENTS:	UNLESS OTHERWISE SPECIFIED:	DATE: 01/17/2019 DRAWN BY: DUSTIN
① 4,000 GPD R.O. SYSTEM	CQE-CO-02026R	L 30" x W 38" x H 47"	<ul style="list-style-type: none"> • GPD IS PER 24-HOUR CYCLE. • RECOVERY RATIO MAY VARY FROM 33% - 50% AND UP TO 75% IF SYSTEM PROJECTIONS HAVE BEEN PROVIDED 	DIMENSIONS ARE IN INCHES. DRAWING IS NOT TO SCALE.	TITLE: 4K GPD REVERSE OSMOSIS SYSTEM WITH 550 GALLON STORAGE TANK
② 550 GAL STORAGE TANK	CQE-ST-550ROK	D 67" x H 44"			
③ REBOOSTERIZER PUMP	CQE-PT-03304	D 18" x W 11" x H 14"			
---	---	---	THE INFORMATION CONTAINED IN THIS DRAWING IS THE SOLE PROPERTY OF CRYSTAL QUEST. ANY REPRODUCTION IN PART OR AS A WHOLE WITHOUT THE WRITTEN PERMISSION OF CRYSTAL QUEST IS STRICTLY PROHIBITED.	DIMENSION KEY:	
---	---	---		L	→ LENGTH
---	---	---		W	→ WIDTH
---	---	---		H	→ HEIGHT
---	---	---	D	→ DIAMETER	
			SIZE	DWG. NO. 1	REV # A
			SCALE: 1:20	WEIGHT:	SHEET 1 OF 1

