



Water Softener System

SPECIFICATIONS

Approx. Capacity	4,500,000 Gallons*
Tank Material	Fiberglass
Backwash	No Backwash
Media Type	Ion Exchange
Media Amount	40 Liters
Gravel (Quartz)	200 lbs.
Shipping Weight	500 lbs.
Space Required	L 24" x W 24" x H 95"

SYSTEM FLOWRATES

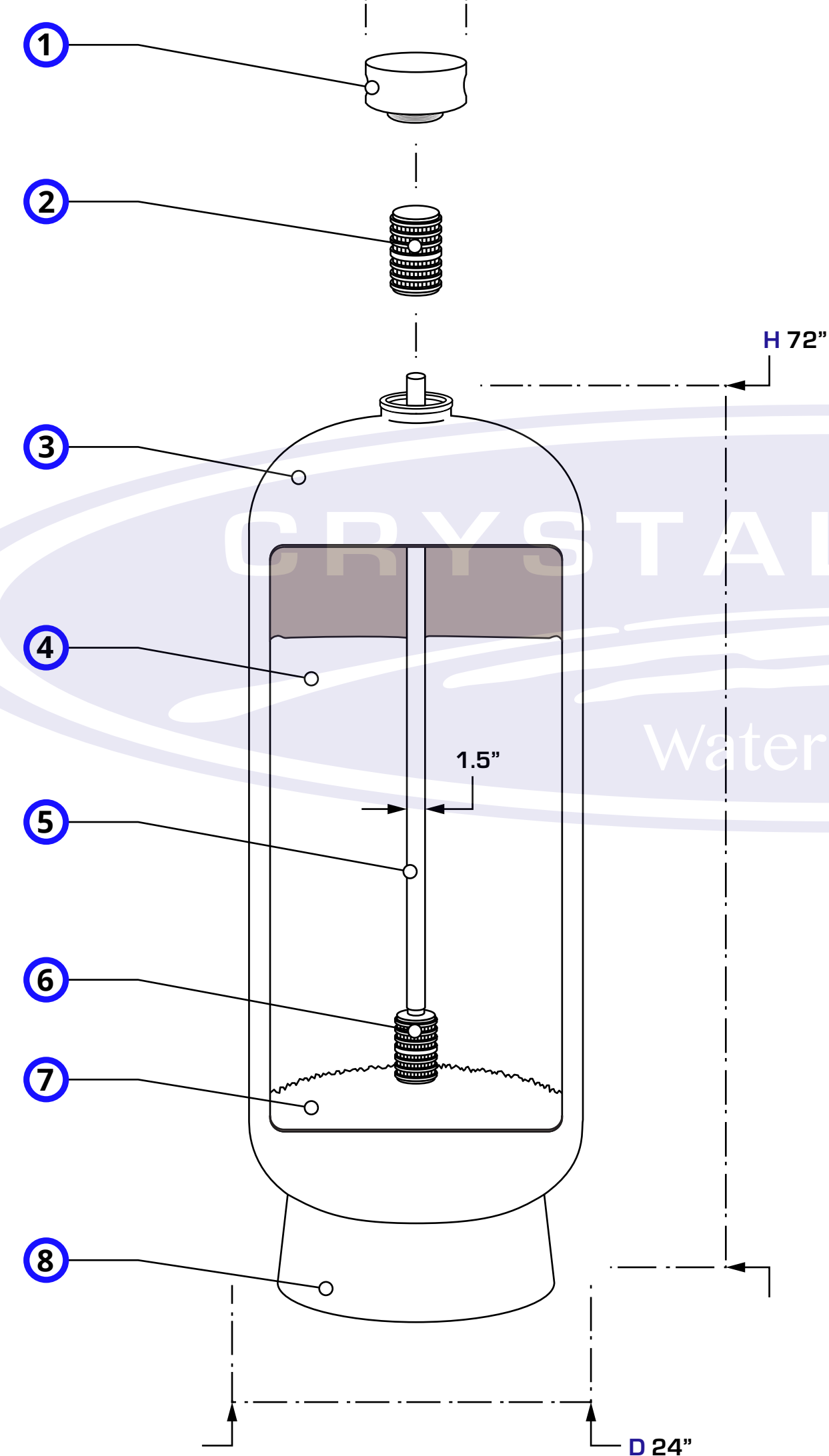
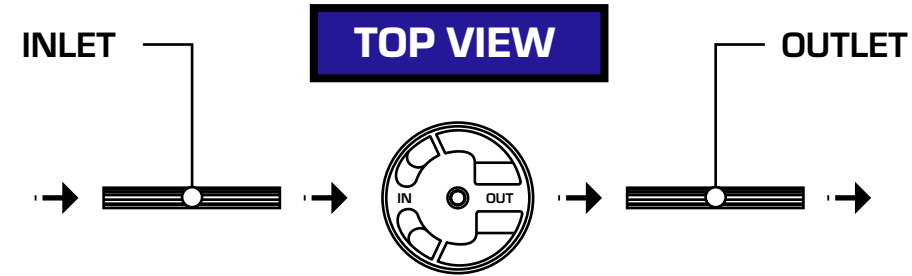
	GALLONS PER MINUTE*
Service Flow	100 GPM
Peak Flow	150 GPM
Backwash Flow	N/A

STANDARD LINE/PORT SIZES

Inlet	2"
Outlet	2"
Brine Port	N/A
Neck Opening	4"

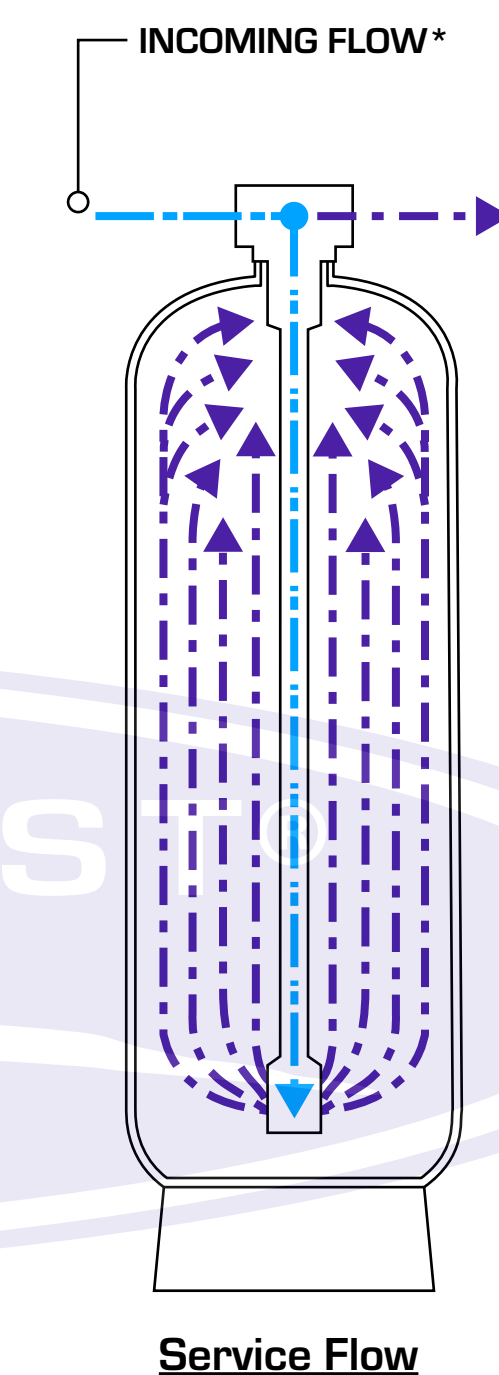
COMPONENT LIST

1	2900 Control Head	CQE-CV-07002
2	Top Distributor	CQE-PT-03105
3	10 Cu. Ft. Resin Tank	CQE-PT-04003A
4	Eaglesorb ES3 Media	CQE-RM-05013
5	Center Riser Tube	CQE-PT-03417A
6	Bottom Distributor	CQE-PT-03417B
7	Quartz Support Bed	CQE-RM-05017
8	Support Base	CQE-PT-04003B
9	---	---
10	---	---



FLOW KEY	
Influent Water Flow	
Filtered Water Flow	

EXAMPLE FLOW DIAGRAM



MEDIA SPECIFICATIONS

	Name	Eaglesorb ES3
	SKU	CQE-RM-05013
	Function	Softening/De-Scaling
CERTIFICATIONS		

PHYSICAL CHARACTERISTICS

Approx. Color	White
Density Per Cu Ft.	28 Lt/56 lbs.
Granular Surface Area	12 x 40 Mesh

ORDER OF OPERATION:	PRODUCT SKU:	DIMENSIONS:	COMMENTS:
100 GPM ANTI-SCALE TANK	CQE-CO-02103	D 24" x H 72"	<ul style="list-style-type: none"> CAPACITY IS DEPENDENT ON FEED WATER CONDITIONS. HARDNESS LEVELS ABOVE 25 GPG MAY REQUIRE ADDITIONAL MEDIA.
---	---	---	THE INFORMATION CONTAINED IN THIS DRAWING IS THE SOLE PROPERTY OF CRYSTAL QUEST. ANY REPRODUCTION IN PART OR AS A WHOLE WITHOUT THE WRITTEN PERMISSION OF CRYSTAL QUEST IS STRICTLY PROHIBITED.
---	---	---	
---	---	---	
---	---	---	
---	---	---	

UNLESS OTHERWISE SPECIFIED:		DATE: 01/29/2019 DRAWN BY: DUSTIN	
DIMENSIONS ARE IN INCHES.		TITLE:	
DRAWING IS NOT TO SCALE.		100 GPM COMMERCIAL SALT-FREE ANTI-SCALE WATER SOFTENER	
DIMENSION KEY:			
L		LENGTH	SIZE C DWG. NO. 1 REV # A SCALE: 1:20 WEIGHT: SHEET 1 OF 1
W		WIDTH	
H		HEIGHT	
D		DIAMETER	