

Chimeneas

(Deck Open, Deck Closed & Teepee)

User Guide



PLEASE RETAIN THIS GUIDE FOR FUTURE REFERENCE

Congratulations on the purchase of your new Chimenea!

More than 30 years of experience has been put into the development of your heater to ensure ultimate performance and years of trouble free use and enjoyment.

Every detail of your appliance has been carefully designed and engineered which is why we are so confident in the reliability of our products.

Should you have any questions about your heater which are not covered by this user guide, please contact your retailer in your area or visit our website : www.aradastoves.com, which offers a further information on how to care for and get the best from your appliance.

Please ensure that you read these instructions in full and understand them before operating your heater.

Arada has a policy of continuous product development and therefore we reserve the right to amend specifications without prior notice.

Due to printing cycles, items or options may be described before they are generally available or after they have ceased in production.

Please check with your retailer or dealer if you are unsure about any aspect of your appliance, its installation or the correct use.



IMPORTANT NOTE :

The following items are packed together with your chimenea for shipping purposes :

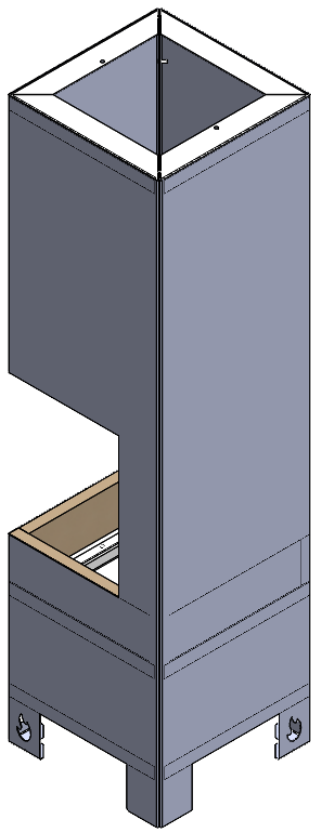
- 4x Vermiculite Liner Panels (Open & Closed Chimeneas)
- 2x Vermiculite Liner Panels (Teepee Chimenea)

Installation of the above items should be carried out by a suitably competent person (s).

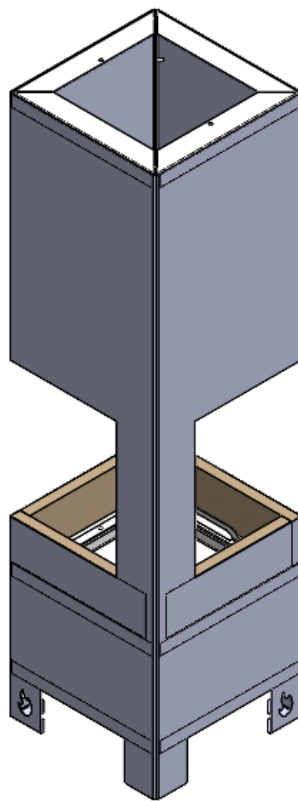
Contents

| | |
|------------------------------------|---|
| 1. Identifying your Chimenea | 3 |
| 2. Warnings | 4 |
| 3. Preparation for use | 5 |
| 4. Lighting your Chimenea..... | 6 |
| 5. Care of your heater | 7 |
| 6. Warranty | 7 |
| 7. Recycling..... | 8 |

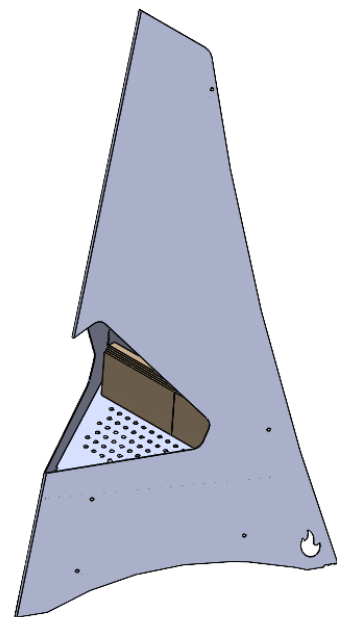
1. Identifying Your Chimenea



Closed Deck Chimenea



Open Deck Chimenea



Teepee Chimenea



IMPORTANT INFORMATION

2. Warnings—

Any manufacturer's instructions must not be taken as overriding statutory requirements.

The appliance is solely designed only to be used **OUTDOORS** and should never be installed or used inside a building or property.

Do Not use this heater under a covered area, such as an tent or marquee or gazebo.

Do Not use aerosol sprays or other flammable materials near the appliance when in use.

Do Not use the appliance as an incinerator.

For WOOD LOGS ONLY. We recommended seasoned dry wood logs with a moisture content of less than 20% for heating purposes, however, man-made or compressed logs can be used.

Pure petroleum coke or Bituminous house coal or MSF (manufactured solid fuels) must **NOT** be burned in this appliance.

The use of these fuels will invalidate the appliance guarantee.

Use only recommended fuels, **STRICTLY NO** unsuitable and non recommended fuels or materials or liquid fuels allowed.

A suitable non flammable level surface would be an ideal location for the heater, however, the appliance can be used upon wooden decking or grass, but caution should be exercised when re-fuelling the appliance due to the risk of hot falling ash when refuelling.

Caution must be exercised during operation of the appliance as both internal and external surfaces will be hot to touch, use suitable stove gauntlets.

Caution should be used in the presence of children, elderly people and pets should be kept away from the appliance or use a suitable fireguard conforming to BS 8423:2002 could be used.

Always observe the distances to combustible materials.

Ensure no soft furnishings or garden foliage, such as overhanging branches, leaves and bushes are susceptible to heat radiating from the appliance.

Ignoring the warnings could lead to damage/injury to persons and/or property.

Arada Ltd will not be responsible for any consequential or incidental loss or injury however caused.

3. Preparation For Use —

- Locate a suitable placement for the chimenea, taking in mind the location of combustible materials and level ground requirements. Moving of the chimenea is best done using a sack truck, with an additional person steadying and guiding the front.
- Remove the outer cling wrap packaging, internal foam packing and internal plastic bag. See section on recycling of waste materials.
- Inside of each corner, there are temporary screws holding the appliance to the base packaging pallet, these will need to be removed and the chimenea carefully moved onto the ground. Again the wooden pallet can be recycled (See Fig. 1.)
- Place on to a suitable level location, ensure the appliance is stable and secure.
- Ensure the ash pan / grate is fitted (See Fig. 2.)
- In the case of the **Open & Closed Chimeneas** position the 4x vermiculite liners into the firebox, note the 2x longer panels (350mm) and 2x shorter panels (325mm) are placed on alternating sides (See Fig. 3.)
- For the **Teepee Chimenea**, the 2x vermiculite liners are positioned at the rear face of the firebox (See Fig.4).

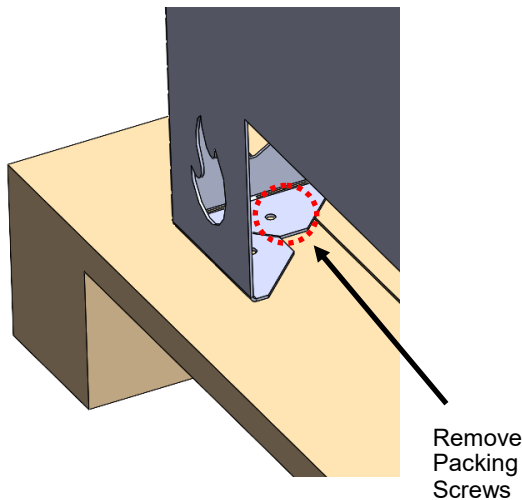


Fig. 1

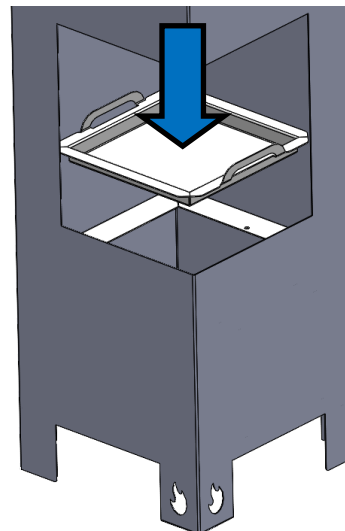


Fig. 2

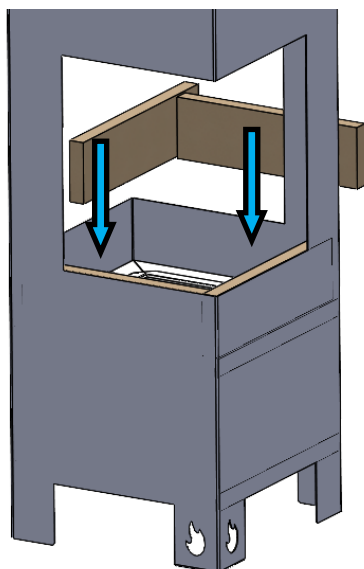


Fig. 3

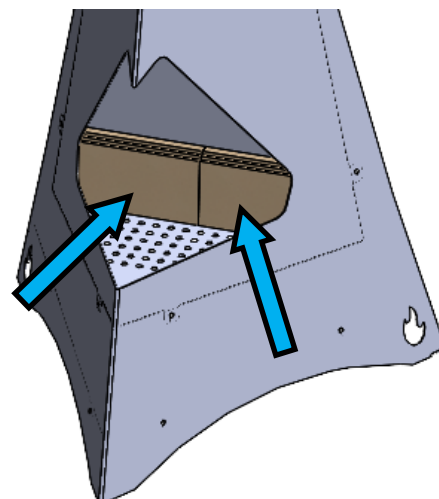


Fig. 4

4. Lighting Your Chimenea —

- Using the 'Top Down Lighting Technique', begin to place 2x large logs (approx. 100mm in diameter) in the front to back position, within the base of the chimenea. (See Fig. 5)
- Next, place smaller logs 180 degrees to the larger logs. Infill these with suitable firelighters.
- On top of the smaller logs, build a grid of kindling and place a further fire lighter on the very top. (See Fig. 6)
- Light the top fire lighter, the structure will start to burn downwards causing the lower combustion products to ignite.
- Leave for approximately 5-10mins, to establish an ash bed.
- Reload on to a hot glowing ember bed with fresh logs.



DO NOT use and flammable liquids for lighting or re-lighting this heater. During the first lighting an odour may be present, this is normal and will disappear once the paint has cured.

KEEP, Children, elderly and pets away from the appliance during use.

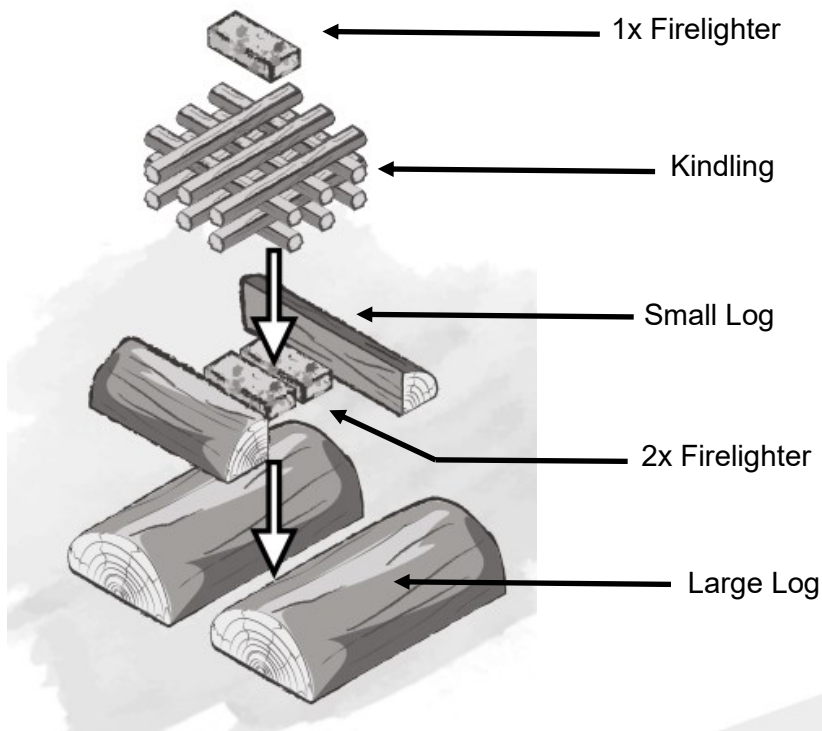


Fig. 5

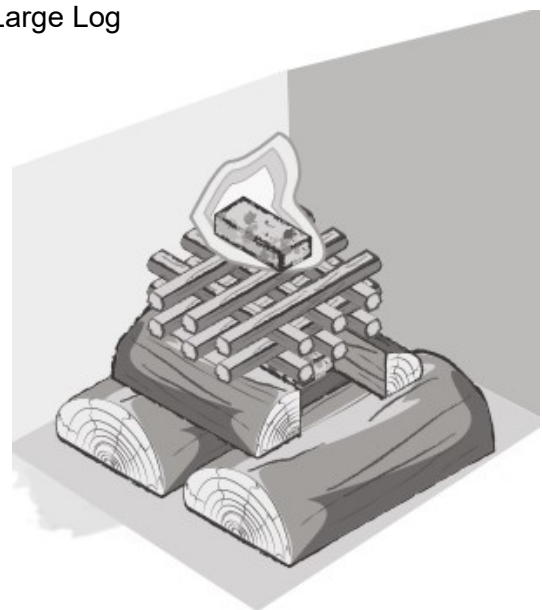


Fig. 6

5. Care Of Your Chimenea —



After use, allow your heater to completely cool. **Caution** should be exercised, as although the flame may be extinguished, there may be red hot embers or the casing of the appliance may still be **HOT**.

- Before moving or cleaning the appliance ensure it is cool to touch.
- Do not allow the ash to build up above the base of the opening, remove the ash if it becomes too high. Dispose of the ash appropriately.
- Cleaning the exterior finish, use a soft brush and a damp lint free cloth.
- Your Chimenea is designed to be kept undercover and dry when not in use.
- For long term storage over the winter months, we recommend apply a coating of light oil (linseed) over the exterior and cover with a waterproof tarpaulin.
- After long term storage, inspect the heater for wear and tear or damage. Should external areas need re-painting, only use Arada high temperature aerosol paint, as differing paints may react with the surface finish.
- Replacement parts can be obtained from www.aradastovesandspares.com or your local retailer.



PLEASE NOTE : Discolouring of the exterior finish and surface oxidation is normal, through usage, and adds to the patina of the appliance.

6. Warranty —

Your Garden Heater comes with a **ONE** year warranty, covering against defect in materials and workmanship.

For the purposes of this warranty, a material or manufacturing defect includes the splitting or cracking of the main body (defined as the steel outer casing and items fixed immovably to the casing).

All other items are classed as consumable components and are therefore subject to damage through wear and tear or incorrect use or application, such as over-firing or the use of non specified or incorrect fuels.

7. Recycling



7.1 Packaging recycling

The majority of the packaging components can be recycled, by the material components:

WOOD (Pallet) - Household quantities of wood can be taken to your local [Household Waste Recycling Centre](#).

CARDBOARD (Outer packaging) - Most local councils will collect cardboard as part of their kerbside collection; Otherwise, cardboard can be recycled at your local [Household Waste Recycling Centre](#).

PLASTIC (Internal Bubble Packing / Bags / Outer Strapping) - Some district councils collect plastic packaging in their kerbside collections; Alternatively, most supermarkets have plastic bag collections. The outer strapping should be taken to your local [Household Waste Recycling Centre](#).



RECYCLE

7.2 End of life product recycling

Again like the packaging the majority of the appliance components can be recycled, by the material components:

CAST IRON & STEEL - All metal components can be recycled at your local [Household Waste Recycling Centre](#).

FIREBOX LINERS & GASKETS/SEALS - These components are currently not recyclable and should be disposed off at your [Household Waste Recycling Centre](#).

Your local Household Waste Recycling Centre can be located—

<https://www.recyclenow.com/local-recycling?>



Arada Ltd

The Fireworks, Weycroft Avenue, Axminster, Devon, EX13 5HU United Kingdom

www.aradastoves.com

www.aradastovesandspares.com

Tel: +44 (0)1297 632 050

