



Lagom Stove

User Guide

PLEASE RETAIN THIS GUIDE FOR FUTURE REFERENCE

EN 13240:2011 +A2:2004

BK 746 SPECIFIC Rev 01 ISSUE DATE : 05/10/2020



Arada Lagom Stove User Guide

Congratulations on the purchase of your new Arada stove!

More than 30 years of experience has been put into the development of your stove to ensure ultimate performance and years of trouble free use and enjoyment. Every detail of your stove has been carefully designed and engineered which is why we are so confident in the reliability of our products.

Your Arada stove is built to the highest standard of craftsmanship using the best materials and the most modern equipment available. It is a highly efficient and sophisticated piece of machinery and when properly installed and operated it should provide a lifetime of heating satisfaction.

Should you have any questions about your stove which are not covered by this manual, please contact the Arada retailer in your area, call our technical support department on +44 (0)1297 632052 or visit our website www.aradastoves.com which offers a wealth of information on how to care for, and get the best from your stove.

Please ensure that you read these instructions in full and understand them before operating your stove.

Arada has a policy of continuous product development and therefore we reserve the right to amend specifications without prior notice. Due to printing cycles, items or options may be described before they are generally available or after they have ceased. Please check with your retailer or dealer if you are unsure about any aspect of your stove, its installation or correct use.

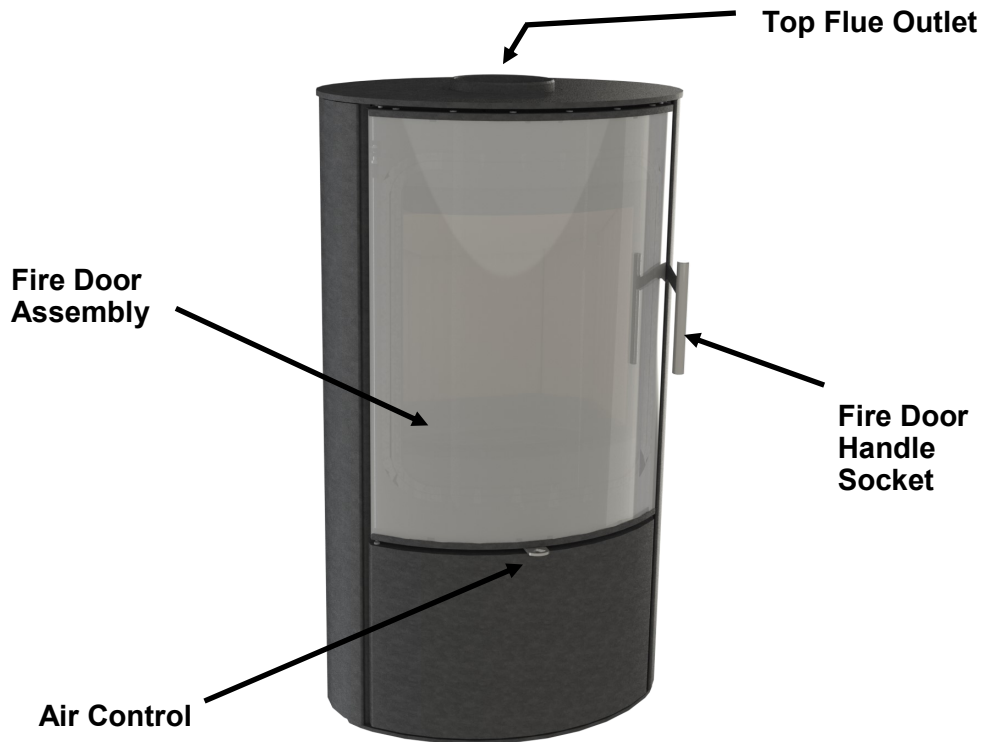
Contents

1 Identifying your stove	
1.1 Identifying parts & terminology of your stove—External.....	5
1.2 Identifying parts & terminology of your stove—Internal	6
2 Additional installation information	
2.1 Stove clearance dimensions.....	7
2.2 Corner installation dimensions	8
2.3 Floor protection dimensions	8
2.4 Stove dimensional drawing	9
2.5 External air supply connections.....	10
2.6 Rear flue spigot connection	10
3 Warnings	
3.1 Important warnings	11
3.2 Health and safety	12
4 Recommended fuels	
4.1 Wood	12
5 Before using your stove	13
6 Air inlet controls	
6.1 Air inlet	14
6.1.1 Air control location.....	14
6.1.2 Air control	15
7 Lighting your stove	
7.1.1 Smoke control areas	16
7.1.2 Fuel overloading	16
7.1.3 Operation with door left open	16
7.1.4 Dampers / Air controls left open	16
7.2 Burning wood	16
7.3 Refuelling.....	17
7.4 Operation during the transition period.....	17
7.5 Warning - Fume / Smoke emissions	17
7.6 Refuelling on to a low fire bed	18
7.7 Typical burn for nominal output	18

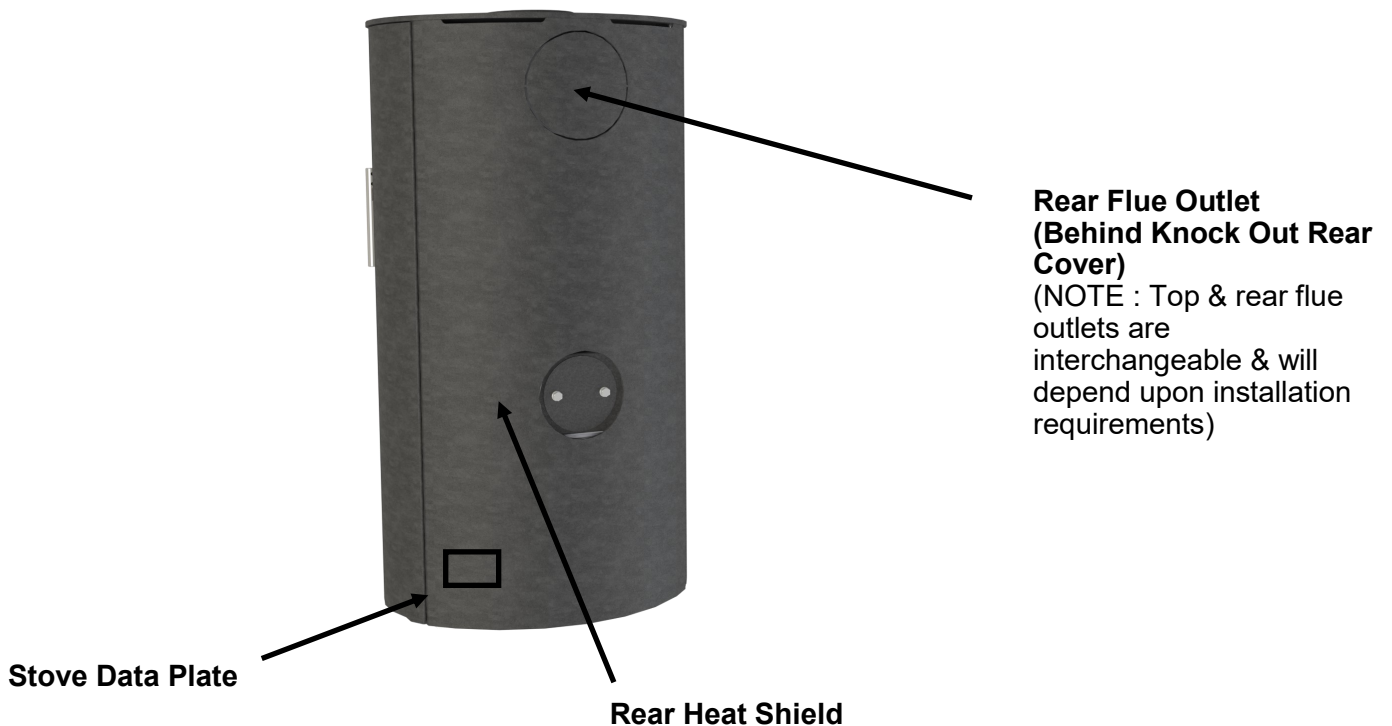
8 Further information for all stove owners	
8.1 Reduced burning (Slow combustion).....	19
8.2 Over firing.....	19
8.3 Chimney fires.....	19
8.4 Periods of non-use (Summer months).....	19
8.5 Ash removal	20
8.6 Replacement parts.....	20
8.7 Classification.....	20
8.8 Adverse weather conditions.....	21
8.9 Door glass.....	21
8.10 Fire door handle	21
8.11 Storage cupboard/compartment.....	21
9 How heat is delivered by your stove	
9.1 Radiant heat	22
10 Care for your Arada stove	
10.1 Liners / firebricks	23
10.2 Throat plate	23
10.3 Fire door seal	23
10.4 Cracked glass	24
10.5 Chimney / flue sweeping	24
11 Further resources / reading	
11.1 Information.....	25
11.2 Specifications	25
12 Guarantee	
12.1 Guarantee	26
12.2 Terms and Conditions	27
12.3 General	28
13 Technical data	29
14 Notes	30-31

1 Identifying your stove

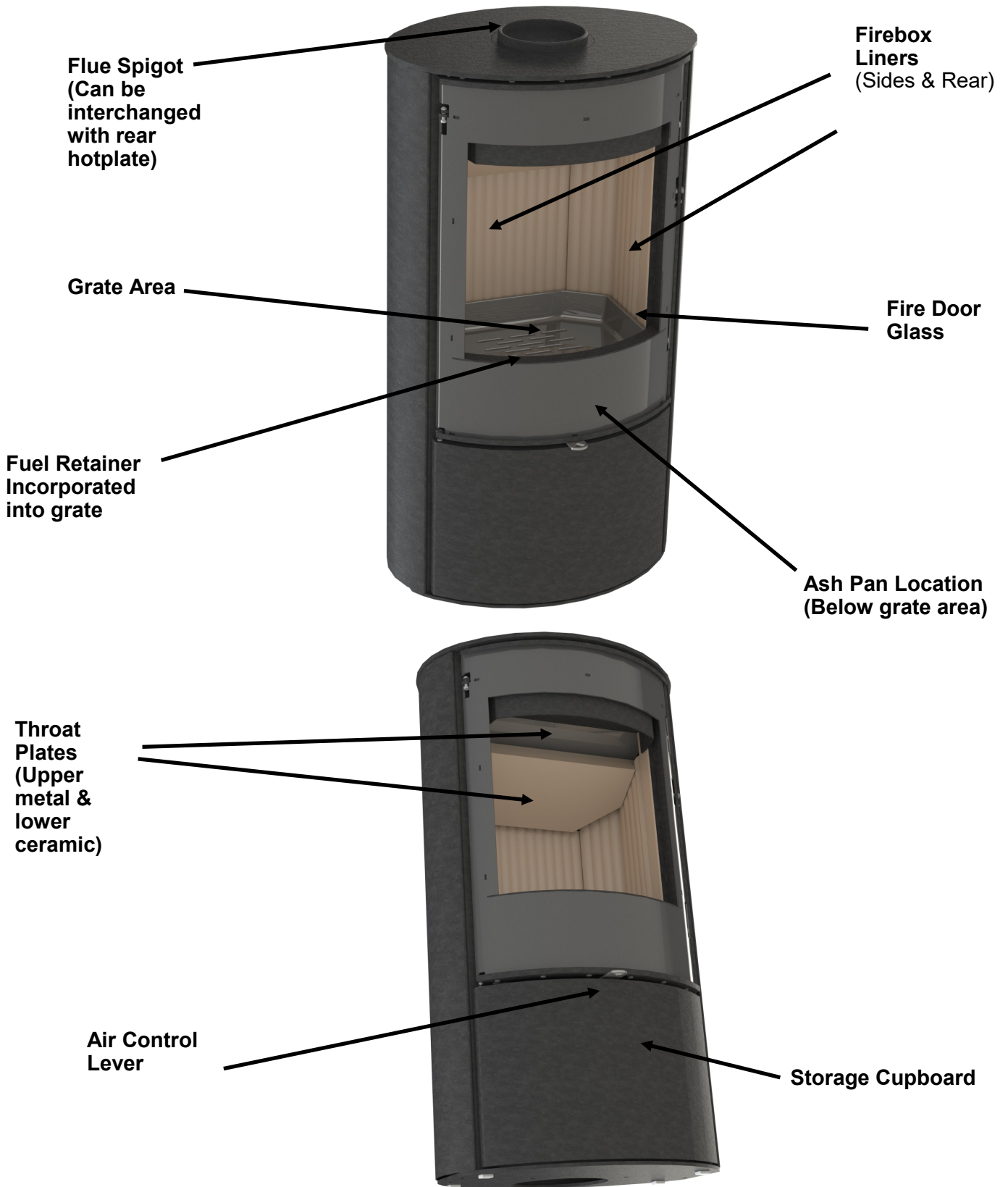
1.1 Identifying parts & terminology of your stove—*External*



**Hot Glove x1
(Packed Inside
Stove)**



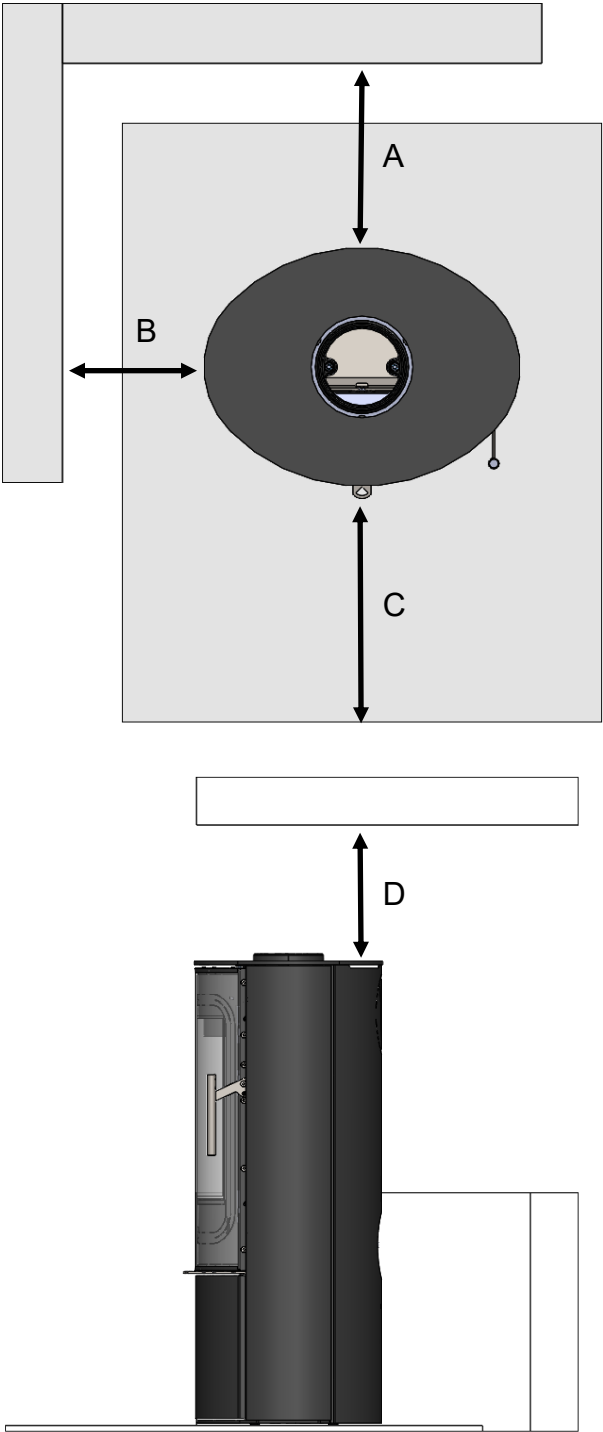
1.2 Identifying parts & terminology of your stove—*Internal*



2 Additional Installation Information

PLEASE NOTE : This additional information is to be read in addition to BK545 'Dry Stove Installation Guide'

2.1 Stove clearances dimensions

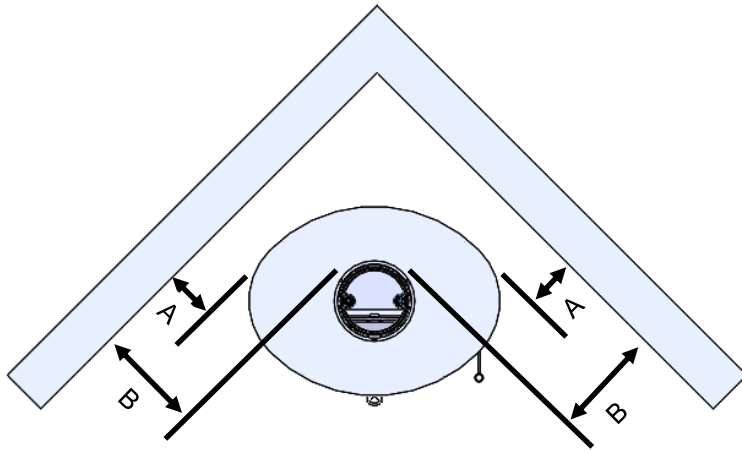


Minimum Distance To Combustible Materials

A	B	C	D
100mm	100mm	800mm	1200mm

PLEASE NOTE : This additional information is to be read in addition to BK545 'Dry Stove Installation Guide'

2.2 Corner Installations dimensions



Corner installation clearances to combustible materials

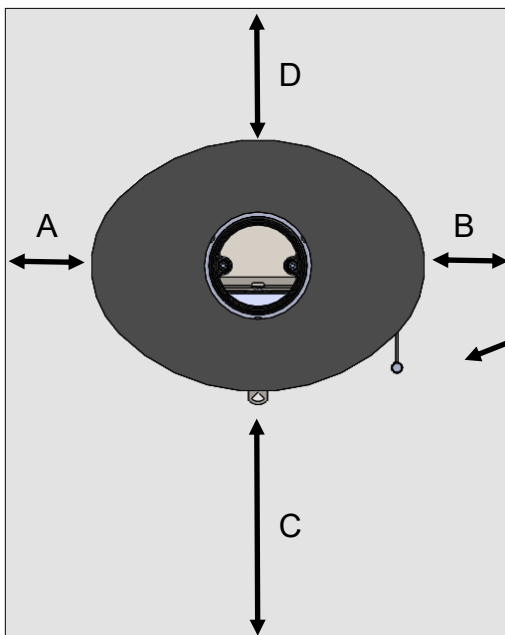
A	B
100mm	257mm

For alcove installation

The ceiling or shelf above the stove, can be a minimum of 1200mm above the appliance top.

2.3 Floor protection dimensions

The stove should be installed on this 100% non-flammable floor. Where a combustible floor is present, a stove protection plate of non-combustible materials should be used. The following manufactures recommendation should be adhered too, in conjunction with the relevant local building standards in force.



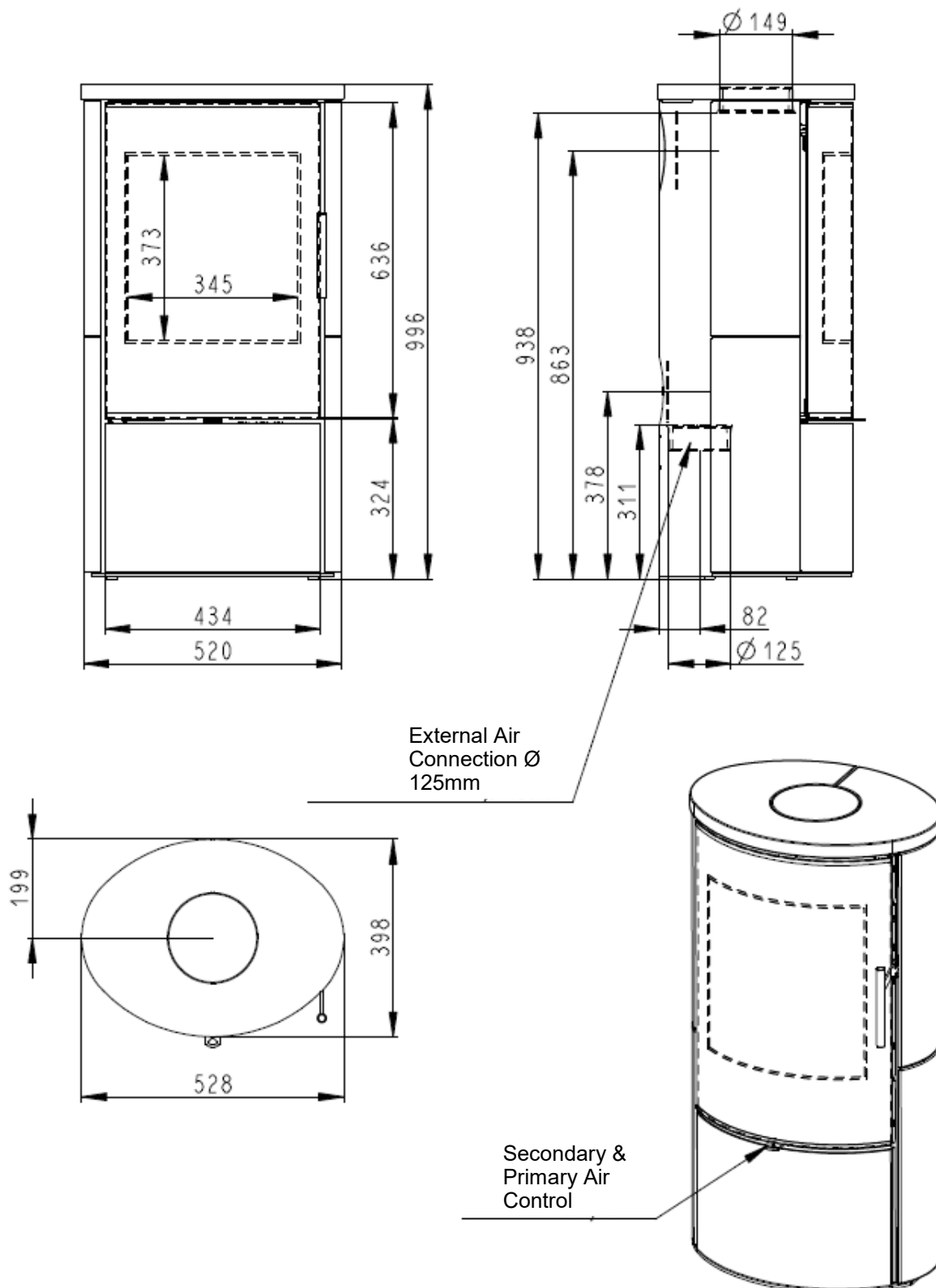
Floor protection Minimum dimensions
(Distances can be increase from stated)

A	B	C	D
100mm	100mm	400mm	100mm

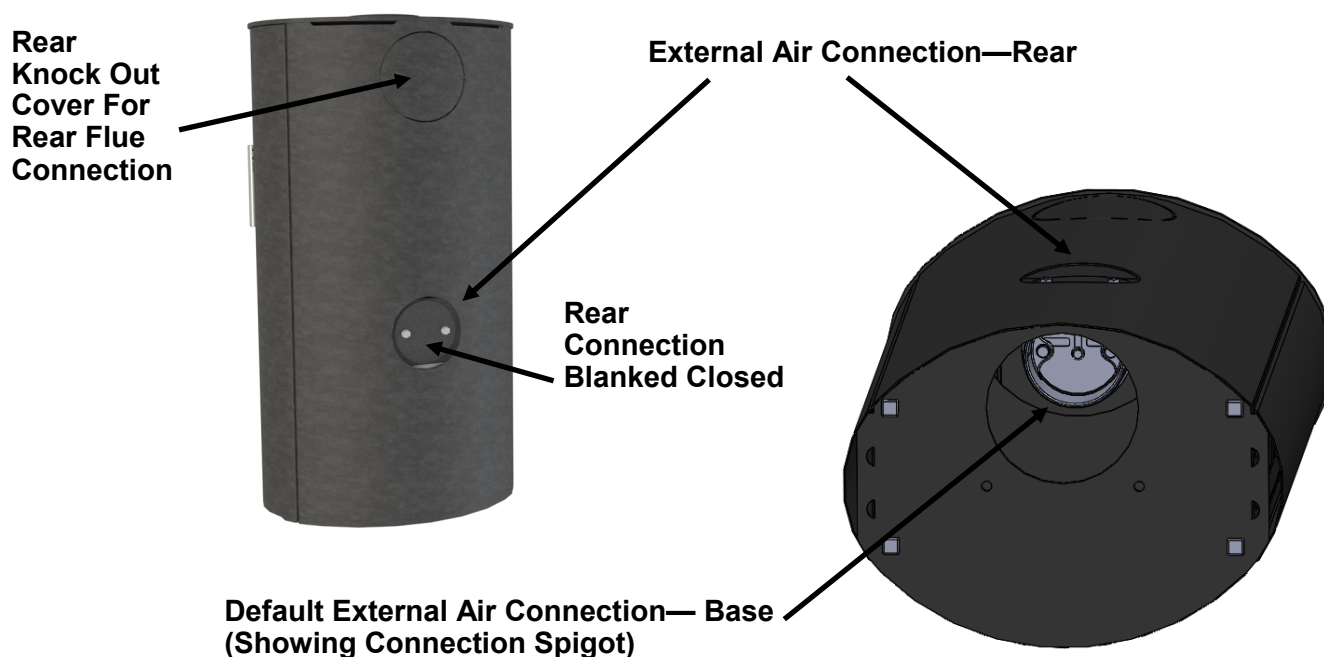
Stove Protection Plate

The stove must be installed on a non-combustible material plate (cement, brick, stone, ceramic tile, glass, metal etc) to protect the floor and possible fire caused by ejection of sparks and hot ashes when the stove door is opened for refuelling etc. radiated heat caused by stove over firing spillage of creosote as a result of a chimney fire.

2.4 Stove dimensional drawing



2.5 External air supply connections



The default factory setting for the Lagom, is for the rear air supply connection blanked closed.

The air for combustion enters the firebox from the air connection spigot mounted on the base of the appliance. The diameter of this connection is smaller than the flue connections at 125mm.

Both these terminals are interchangeable and can be swapped to suit installation requirements.

If an external air connection is required for installation, then a suitable supply duct of 125mm diameter in metal construction is recommended.

2.6 Rear flue spigot connection

The default factory fitment for the Lagom, is for the flue spigot (150mm diameter) to be fitted to the top outlet.

Provision for a rear fitted flue can be accessed via the knock-out cover in the rear panel of the appliance (see above picture). Once removed, access to the rear flue will be visible.

Both these top and rear terminals are interchangeable and can be swapped to suit installation requirement.



IMPORTANT INFORMATION

3 Warnings

3.1 Important Warnings

It is a LEGAL REQUIREMENT that the installation of all new or replacement, wood or solid fuel heating appliances, obtain Building Control approval from your local Authority or the installation work must be carried out through a government approved Competent Persons Scheme. A list of all Competent Person Schemes can be found :

<https://www.gov.uk/guidance/competent-person-scheme-current-schemes-and-how-schemes-are-authorised>

Any manufacturer's instructions must not be taken as overriding statutory requirements.

All Arada Lagom stoves MUST NOT be connected to a shared flue system.

Please Note: Classification of these appliances is for intermittent use only.

Do not use aerosol sprays or any other flammable materials near the appliance when in use.

Do not use the appliance as an incinerator.

Use only recommended fuels. STRICTLY NO unsuitable and non recommended fuels or materials or liquid fuels allowed.

Pure petroleum coke or Bituminous house coal must NOT be burned in this appliance. The use of these fuels will invalidate the appliance guarantee.

Please ensure that the air inlet vent grills to the dwelling are not obstructed or liable to be blocked.

Caution must be exercised during operation of the appliance as both internal and external surfaces will be hot to touch. Use the stove mitten provided when the appliance is in operation.

A fireguard conforming to BS 8423:2002 should be used in the presence of children or elderly people.

Always observe the distances to combustible materials as stated on the appliance Data Plate and in the Technical Data section of this manual. Ensure no soft furnishings or combustible materials are susceptible to heat radiating from the appliance.

Under NO circumstances should the stove be operated for extended periods with the main fire door open. This will result in an over firing situation and will lead to severe damage to the stove and flue system.

Ignoring the warnings could lead to damage/injury to persons and/or property.

Arada Ltd will not be responsible for any consequential or incidental loss or injury however caused.

3.2 Health and Safety

Please consult Health and Safety Guidelines for advice on handling heavy and/or large items.

4 Recommended fuels

4.1 Wood

As a natural and renewable fuel, wood is the first choice for burning, however burning wood requires a little effort and planning.

Any type of wood is suitable (though hardwood is preferable) provided it is well seasoned and has a moisture content below 20%. This usually implies that the timber has been suitably stored to allow moisture to evaporate for at least 9 months in the case of soft wood, and at least 24 months in the case of hard wood. We recommend using dry logs with a diameter of 5-8cms and length of 20-25cms.

If, when burning wood, you see signs of sticky tar inside the appliance or chimney, your wood is 'green' or too wet and requires further seasoning. An electronic moisture meter can be obtained in order to determine the moisture content of your wood fuel. Wet wood must not be used as this will greatly contribute to the creation of tar and creosote which may, in extreme cases, run down the chimney in liquid form. This will seriously damage both the chimney and the appliance and increase the risk of a chimney fire.

DO NOT BURN Bituminous house coal or petroleum coke in this appliance.

DO NOT BURN Any form of plastics in this appliance.

5 Before using your stove

Arada stoves are designed to be operated with the fire door(s) closed at all times, apart from refuelling (when alight) or cleaning (when cold).

Never leave the appliance unattended for an extended length of time with the door open.

Prior to lighting the stove for the first time, please check with the installer that:

- Installation and all building work is complete. (Refer to the installation guide.)
- The chimney is sound, has been swept and is free from obstruction.
- Building Regulations and any local by-laws have been followed during installation.
- All firebox liner panels and throat plate are in place.
- The chimney draw has been checked and is within specification (between 0.1mb to 0.2mb, or 10-20 pascals). This ensures your stove will operate predictably and efficiently.
- A Carbon Monoxide detector is correctly installed in the same room as the appliance.
- Suitable provision for combustion and ventilation air, depending upon Building Regulations have been undertaken by the installation fitter.
- Consideration must be given for the need for extra ventilation if another heating source needing air is to be operated simultaneously. If an extraction fan is proposed to be fitted to a connecting area of the house, after the stove has been installed, professional advice should be sought from a qualified engineer.

Ensure that you have read and understood these instructions before lighting the fire.

Our YouTube channel, www.youtube.com/user/aradastoves features a collection of videos designed to help you get the best from your Arada stove.

Always wear suitable protective fire gloves when refuelling your stove, such as the Arada hot glove supplied with your stove. Always keep the hot glove away from naked flames and sparks when re-fuelling the appliance.

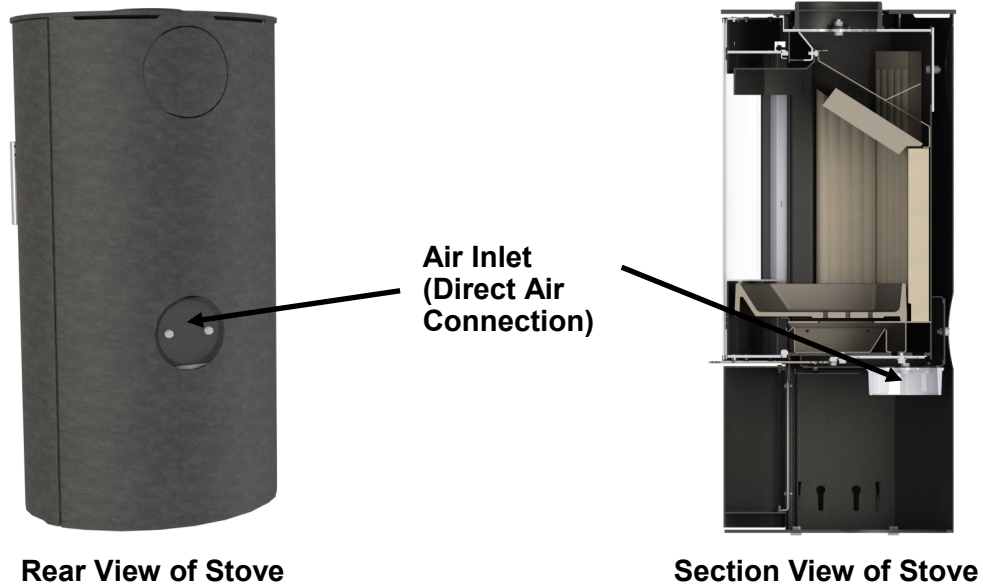
We recommend that you light a small fire for the first few days of use to cure the paint and allow the castings to relax.

You may hear your stove produce clicking or ticking noises whilst it heats up or cools down. This is completely normal and is produced by the expansion and contraction of the steel components in your stove when its temperature changes.

6 Air inlet controls

6.1 Air Inlet

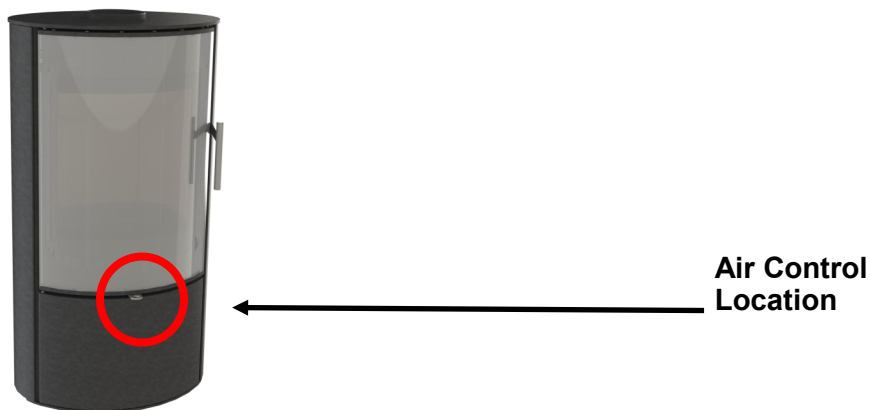
Your stove requires air to function. This enters the appliance via the circular duct on the under side of the stove. Depending upon installation, this circular duct can also act as the connection point for the direct air feed / ducting requirements.



NOTE : DO NOT COVER OR PARTIALLY OBSTRUCT THE AIR INLET OPENINGS FOR THE APPLIANCE.

6.1.1 Air control location

The air control regulates the air entering the fire box chamber controlling the rate of burn. This control is situated below the fire door in the middle of the stove when facing the front of the stove.



6.1.2 Air control lever

The control has an internal sliding plate with slots housed inside the body of the appliance and is located centrally below the fire door.

Pulling the control lever out achieves the fully open position, see Figure 1. Pushing the control lever in will reduce the air or shut down the stove as shown in Figure 2.



Fig. 1. Pull to fully open



Fig. 2. Push to fully close

7 Lighting your stove

7.1.1 Smoke control areas

Please check whether your dwelling is located in a smoke control area before installation or use. Please check with your local authority or <https://www.gov.uk/smoke-control-area-rules>.

7.1.2 Fuel overloading

The maximum amount of fuel specified in this manual should not be exceeded. Overloading can cause excess smoke. Please see Technical Data section in this manual.

7.1.3 Operation with door open

Operation with the door open can cause excess smoke. The appliance **MUST NOT** be operated with the appliance door open except as directed in the instructions.

7.1.4 Dampers / Air controls left open

Operation with the air controls or appliance dampers open can cause excess smoke. The appliance must not be operated with the air controls, appliance damper or door(s) left open except as directed in these instructions.

7.2 Burning wood

When wood is burnt, it is in fact the volatile gases released from the wood that burn and this requires a good supply of air coming from above the fuel. For this reason we open the air inlet fully while igniting the stove then reduce this once the burn is well formed. As much as 40% of the heat from burning wood is obtained from secondary combustion and this can be severely hampered by air entering the fire box from below the fuel.

- 1) Set the fire by placing several layers of dry kindling wood into a criss-cross grid pattern on top of the grate. The use of two or three fire lighters may assist in lighting the kindling.
- 2) Fully open the air control and light the fire-lighters and/or kindling wood.
- 3) After the kindling has caught alight, you should almost close the fire door leaving it ajar by about 10mm. This will aid flue draw during the initial lighting of the fire.
- 4) The flue temperature and draw should be established after five minutes and the kindling reduced to form an ember bed. Carefully load the stove with well seasoned wood and fully close the fire door.
- 5) After ten minutes, fully close the air control to control the burn rate and maintain clear glass, typically by reducing to approximately half open.

7.3 Refuelling

In order to prevent smoke escaping into the room when refuelling, please follow the procedure below:

Approximately 5-10 seconds before opening the fire door, open the air control fully and then only *slightly* open the fire door. Wait a few seconds for the exhaust gas to get sucked into the chimney and only then fully open the door. When opening the fire door, special attention must be paid to the danger of hot fire-embers falling out.

After refuelling, close the door again. When the fuel ignites with a solid flame, return the air control to the previous burning position. The amount of fuel should correspond to an hourly consumption value for the stove (see the Technical Data).



Overheating/firing can permanently damage the stove construction.

To prevent exhaust gas escaping into the room during refuelling, always refuel onto a glowing ember bed.

7.4 Operation during the transition period

The chimney draft (sucking exhaust gas from the fireplace stove) might be weaker during the transition period, i.e. when the outside temperature is higher than 15°C, during rainy and humid days or wind gusts. During this period the fireplace stove should be operated with the minimum possible fuel so that the fire, as well as the chimney draft, is improved by opening the air intake.

Tip: During this period a so-called atmospheric plug can be created in the chimney mouth due to the draft conditions. The plug can cause smoke to escape into the room when lighting fuel. We recommend letting a piece of paper burn down, preferably in the upper part of the combustion chamber, before lighting the kindling. This seemingly negligible smoke is enough to break through the atmospheric plug. Afterwards you can freely light paper and be sure that even a humid chimney is clear.

7.5 Warning - Fume / Smoke emissions



Properly installed with a suitable flue or chimney, operated and maintained correctly, this appliance will not emit fumes into the dwelling. Occasional fumes when de-ashing and refuelling may occur. However, persistent fume emission is potentially dangerous and must be investigated by an approved / registered installer.

STOP USING THE APPLIANCE IF YOU SMELL FUMES OR SEE SMOKE ESCAPING.

If fume emission does persist, the following immediate actions should be taken:

- Open doors and windows to ventilate room.
- Let the fire die or extinguish and safely dispose of fuel from the appliance.
- Check for flue or chimney blockage, and clean if required.
- Seek expert advice from your approved installer.
- Do not attempt to re-light the fire until the cause of the fume emission has been identified and corrected.

7.6 Refuelling on to a low fire bed

If there is insufficient burning material in the fire bed to light a new fuel charge, excessive smoke emission can occur. Refuelling must be carried out onto a sufficient quantity of glowing embers and ash that the new fuel charge will ignite in a reasonable period. If there are too few embers in the fire bed, add suitable kindling for ignition to prevent excessive smoke.

7.7 Typical burn for nominal output

To perform the most efficient burn at the nominal rated output please consult the specification table at the rear of this manual.

Please note that many factors can effect the nominal output, so the stated weights of fuel (Seasoned hard wood) are a guide, which is a representation to laboratory test burn conditions.

8 Further information for all stove owners

8.1 Reduced burning (Slow Combustion)

When wood is burnt slowly in a closed appliance (e.g.: air controls at the minimum setting), it produces moisture and tar which will create condensation and deposits in the chimney. This effect can be minimised by burning hard for a short period, fifteen to twenty minutes twice a day.

To avoid chimney problems, your appliance should not be burnt at a reduced burn rate without a period of fast burning. Fast burning is when the stove is burnt with a 'lively flame' and a higher temperature. We strongly advise against stoking the fire with wood and reducing the air inlets before leaving the stove to extinguish (perhaps when retiring to bed) as this can lead to a cooling of the stove and flue, resulting in incomplete combustion, sooty deposits and high levels of pollutant gases released into the environment.

8.2 Over firing

DO NOT over fire your appliance. Firing the stove at maximum for prolonged periods may result in over-firing. If the chimney connector or casing glows red the appliance is being over-fired and this may result in a chimney fire. Other signs include warping and a red-oxide colouring will demonstrate the over heating of internal parts; body paint which has turned dusty white is also indicative of such use.

8.3 Chimney fires

Used in the correct manner, with the correct fuel and regular maintenance a chimney fire should never occur. However in the event of a chimney fire, the following procedure should be actioned without delay:

- **Call the fire service—DIAL 999**
- **Immediately close all of the air inlet supplies on the appliance to reduce the air supply to the stove.**
- **Move items of furniture and combustibles away from the surrounding area of the stove, to reduce the risk of fire and allow access for the fire service.**
- **Ensure access to the loft space is available.**
- **Evacuate the property.**

8.4 Periods of non-use (summer months)

Please ensure that your stove is left clean and moving components are well lubricated with a water repelling corrosion inhibitor for the summer months (during periods of prolonged non-use). If possible store the throat plate outside the stove. Check all moveable components at regular intervals to ensure they are moving freely. Allow air movement through the stove by opening the air inlet control to about half way, open or leave the door ajar. This will allow a free flow of air through the appliance thus preventing moisture and condensation forming inside the stove and chimney. This preventative maintenance will ensure your stove stays in the best condition for the coming winter months.

8.5 Ash removal

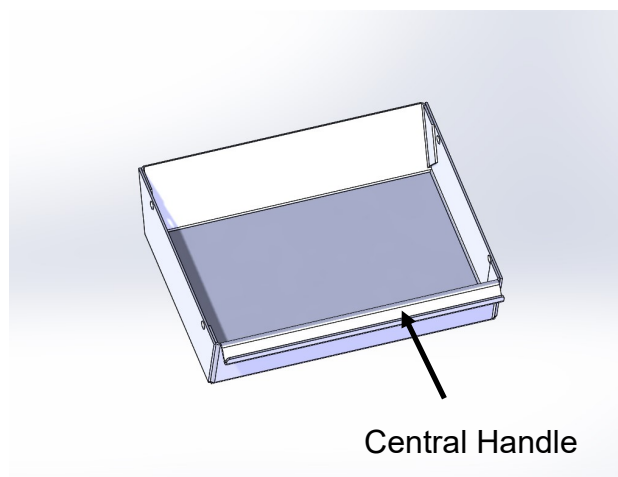
The ash pan should be emptied when the level of ash reaches the top of the ash pan. On no account should the ash be allowed to build up to touch the underside of the grate, as this will greatly reduce the life span of the grate.

To remove the ash pan **ALWAYS USE** the supplied hot glove -

- Open the door of the stove, pausing briefly when ajar so as to allow the fire to adjust to the increased air supply.
- Locate the central handle on the ash pan with one hand.
- Carefully withdraw the ash pan from the ash pit chamber.
- Empty the ash into a suitable metal container. Replace the ash pan into the stove, reversing the above procedure and close the fire door.

Warning: The ash can be very hot. Care must be taken not to burn hands or household objects with falling embers—**ALWAYS USE THE HOT GLOVE SUPPLIED.**

Empty only into a metal container. Even if the ash appears cold, red-hot embers may be concealed and could easily start a fire or cause an injury.



8.6 Replacement parts

Genuine replacement spare parts can be obtained from www.aradastovesandspares.com

You can find a complete list of spares and consumables such as liners, grate and throat plates, as well as items to enhance its visual appearance and efficiency such as stove paint and rope kits.

It is worth noting that the fitting of non-official Arada parts to your stove will invalidate its guarantee.

8.7 Classification

All Lagom stoves are classed as intermittent operation. Thereby meaning, to give nominal rated output, you will have to refuel a minimum of 45min for wood, as stated in EN 13240:2011 +A2:2004.

8.8 Adverse weather conditions

If due to adverse weather conditions your stove does not operate correctly and causes the stove to emit smoke, do not treat it as a nuisance. This smoke will indicate that carbon monoxide is being emitted into the room. Extinguish the stove by reducing the firing rate, open windows and allow the stove's fuel to burn out before closing the windows. The probable cause is insufficient draw; check flue ways and have the chimney tested for flue pressure.

8.9 Door glass

The door glass should remain clear during normal burning. However under certain conditions, such as burning at a low or slow rate, using damp wood or overnight burning, the glass may become somewhat blackened. To remedy this, operate the appliance at a fast rate. Alternatively when the stove is cold, open the door and clean the inside face of the glass with a damp cloth or with glass cleaner (www.aradastovesandspares.com or Arada dealers).

8.10 Fire door handle and air control slider



WARNING

ALWAYS USE THE HOT GLOVE WHEN USING THE FIRE DOOR HANDLE AND CONTROL SLIDER LEVER— RISK OF PERSONAL INJURY MAY OCCUR.



8.11 Storage cupboard / compartment



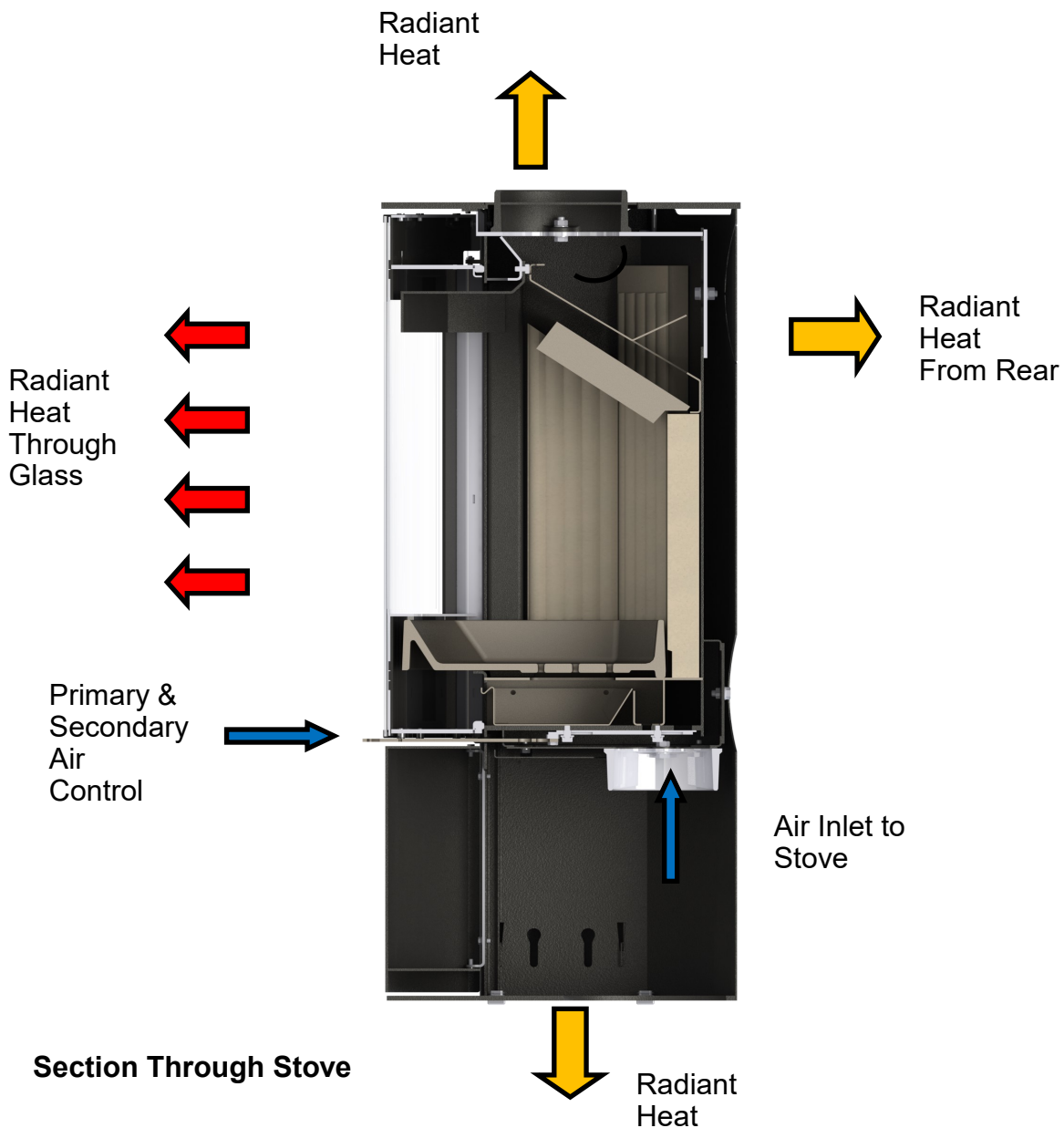
WARNING

NEVER STORE FLAMMABLE LIQUIDS OR COMPRESSED GASES IN THE STORAGE CUPBOARD — RISK OF EXPLOSION AND PERSONAL INJURY MAY OCCUR.

NEVER STORE COMBUSTIBLE MATERIALS WITHIN THE STORAGE CUPBOARD — RISK OF IGNITION/FIRE AND PERSONAL INJURY MAY OCCUR.

The storage cupboard door has no handle. To open simply push on the upper right hand corner. The spring catch will open the door. To close simply push shut and the spring catch will engage to the latch.

9 How heat is delivered by your stove



9.1 Radiant heat

All Arada stoves radiate heat into the room. The radiated heat is most intense at the front of the stove, especially through the door glass and less intense the further you move away from the stove.

This radiated heat is delivered as infrared rays heat the objects they strike. It is then these objects (such as the chimney breast, hearth, etc.) which heat the surrounding air in the room.

10 Care for your Arada stove

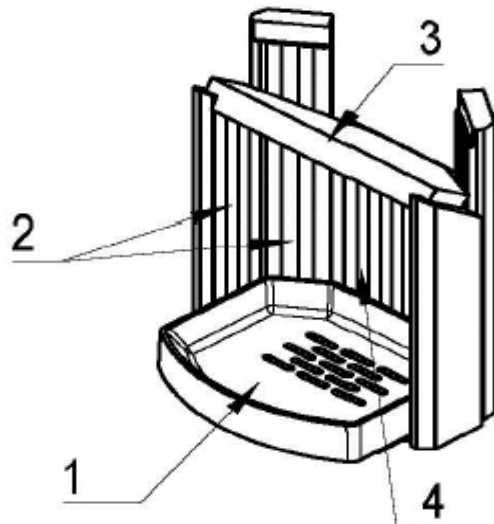
The need for regular maintenance on your stove will ensure safe and efficient use of your appliance. The following item listing should be checked and inspected by a competent person or engineer on a regular basis.



PLEASE ENSURE THAT THE STOVE IS UNLIT AND COLD BEFORE ATTEMPTING TO INSPECT THE BELOW ITEMS -

10.1 Liners / firebricks

The stoves ceramic liners (also known as firebricks) may become cracked after long periods of heavy use or after being knocked by the loading of fuel or a poorly aimed fire poker. If the liners are still staying in-situ and are able to support the throat plate correctly there is no need to replace them. Cracked liners will not in themselves effect the performance of the stove.



- 1 Incline and remove the throat plate (3)
- 2 Incline and remove the side bricks (2)
- 3 Incline and remove the back bricks (4)
- 4 Removing item 3, will reveal the upper metal plate.
- 5 Use the reverse order for re-assembly

10.2 Throat plate

The Lagom stove model contains two throat plates, the upper is metal and the lower above the fire bed is manufactured from ceramic clay.

The throat plate can be removed from the stove by following the instructions above.

Any accumulated deposits should be cleaned off, this is best done with a brush.

Whilst doing so, inspect the throat plate for any damage.

Replacement throat plates can be sourced through a dealer or from the internet at

www.aradastovesandspares.com.

10.3 Fire door seal

The rope seal around the edges of the main fire door should also be checked. Look for signs of fraying, peeling away or the ends not meeting. If the rope is unable to create a good seal with the stove body it should be replaced. A poor seal will decrease your ability to control the burn rate and its efficiency whilst leading to an increase in heat lost through the flue.

10.4 Cracked glass

It is not recommended to operate the stove with cracked glass; this can lead to over firing due to air leaking into the firebox and it may fail completely leading to personal injury or a fire.

You should discontinue use of your stove until it has been repaired. You can source replacement glass kits from www.aradastovesandspares.com.

10.5 Chimney / Flue Sweeping

Sweeping should be carried out with an appropriate sized bristle brush and rods to suit chimney size and type. As with all appliances regular sweeping of the flue / chimney is essential to avoid dangers of blockage and the escape of poisonous fumes. Access for cleaning should also be incorporated in the chimney (e.g.: soot door or access through the register plate, etc.).

It is important that the flue connections, flue pipe and chimney be cleaned prior to lighting after a prolonged period of non use.

11 Further resources / reading

Once again we would like to thank you for buying your Arada stove.

11.1 Information

We appreciate that we have given you a lot of information to read, but we hope it has been clear and helpful and that you are now able to enjoy the full benefits of your stove.

However if you have any queries, doubts or would like further advice please do not hesitate to speak to your Arada dealer or call us. You will find our contact details below, as well as a list of resources where you can discover more information about your stove and associated articles.

- Arada Technical Support
01297 632052
technical@aradastoves.com
- Arada Stoves Support Site
www.aradastoves.com/support
- Competent Person Schemes
<https://www.gov.uk/guidance/competent-person-scheme-current-schemes-and-how-schemes-are-authorised>
- Document J Building Regulations (Combustion Appliances)
www.planningportal.gov.uk/
- The National Association of Chimney Sweeps (NACS)
www.nacs.org.uk/
- Smoke Control Areas—The Rules
www.gov.uk/smoke-control-area-rules

11.2 Specifications

All Arada Lagom stoves are manufactured and independently tested to EN standard 13240 and are CE marked. Within the above EN standard, material specifications and criteria are defined.

12 Guarantee

When you buy an Arada stove, you are not only buying a first class appliance, you are receiving a commitment from us to look after you and your appliance.

12.1 Guarantee

If any part of the main body of the stove fails due to a manufacturing or material defect during the guarantee period that applies in respect of the relevant stove (as set out below), Arada will, at its sole discretion, repair or replace your Arada stove for no charge.

For the purposes of this guarantee, a material or manufacturing defect includes the splitting or cracking of the main body (defined as the steel outer casing and items fixed immovably to the casing).

Damage caused by over-firing or over-heating is not covered (as described in the operation manual). Warping and a red-oxide colouring will demonstrate the over-heating of internal parts; body paint which has turned dusty white is also indicative of such use.

The following guarantee periods shall apply in respect of the following Arada stoves:

The Arada Lagom comes with a 10 year guarantee to the main body.

The external paint finish carries a one year guarantee only.

This guarantee is subject to the Terms and Conditions set out below.

12.2 Terms and Conditions

The following terms and conditions must be satisfied in order for your stove to be covered by the guarantee set out above:

1. Your stove must have been purchased from an officially approved Arada dealer.
2. You must be the original purchaser of the stove in order to make a claim. This guarantee is not valid in relation to any claims made by someone who did not originally purchase the stove from Arada or an approved Arada dealer.
3. Any claim under this guarantee must be made through the approved Arada dealer where the stove was purchased and accompanied by proof of purchase (e.g. a valid receipt). Stoves not purchased from an approved Arada dealer will not be covered by this guarantee.
4. Your stove must be installed in the UK for this guarantee to be valid. Stoves installed outside of the UK will not be covered by this guarantee.

5. Your stove must have been installed by a suitably qualified person and in accordance with the manufacturer's installation instructions. Stoves not installed by a suitably qualified person or not installed in accordance with the manufacturer's installation instructions will not be covered by this guarantee.

6. Any claims under this guarantee shall not be valid where the installation of the stove does not conform to all required building regulations and other legislation in force at the time of purchase, and where flue draw readings have not been made to confirm suitability of the flue. The manufacturer's decision as to whether this condition has been satisfied shall be final.

7. The guarantee does not cover damage caused to the stove through careless handling or misuse or neglect of the appliance (misuse and neglect being not following the manufacturer's instructions and user guides in relation to the stoves, including the use of non-recommended fuels).

8. The following consumable service items are not covered by this guarantee:

- Firebox linings
- Grate
- Fuel retainer
- Throat plate
- Gaskets
- Door glass
- Seals

9. The guarantee does not cover damage caused by storing or using the stove in a damp environment, defects or faults caused by local conditions such as draught problems and chimney defects or corrosion caused by condensation, damp or water ingress into the flue, chimney or the surrounding of the stove.

10. The guarantee is only valid if the stove is serviced and checked annually by a suitably qualified heating engineer, with documentation to be retained and produced in the event of a claim being made.

11. The guarantee is only valid where any spare parts used are supplied by Arada or an approved Arada dealer. The use of spares other than those supplied by Arada Limited shall invalidate the guarantee. Parts can be purchased through an approved dealer or directly from Arada online at www.aradastoveandspares.com.

12. The guarantee is not valid where any repairs or modifications have been made to the stove which have been carried out by anyone other than Arada or its authorised representatives or approved dealers.

13. All guarantee periods commence on the date of purchase and are non-transferable and solely for the benefit of the original purchaser of the stove.

12.3 General

Our guarantee is offered as an addition to your statutory rights and will not effect your statutory rights. You can obtain information about your legal rights from Trading Standards offices or a Citizens Advice Bureau.

If you believe your appliance is not working correctly or it has broken components, in the first instance please contact your local retailer or installer for assistance.

This guarantee is applicable in the UK only and operates exclusively in accordance with the laws of England and Wales.

13 Technical Specification

TECHNICAL DATA	Lagom
Height (mm)	996
Width (mm) (Across Canopy)	528
Depth (mm) (Inc. Handle Boss)	398
Height to Centre of Rear Flue (mm)	863
Depth from back to Flue Centre	199
Flue Diameter (mm)	152 (6")
Minimum Distance to Combustible Materials— Single Walled Flue (mm)	100 (Rear) 100 (Side)
Weight Packed (Kg)	123
Nominal Heat Output—Wood (Kw)	4.0
Efficiency Nett (%)	80.5
Mean Flue Gas Temperature (°C)	247
Mean CO Emission @ 13% O ₂ (%)	0.09
Flue Mass Gas Flow (g/s)	6.4
Typical Fuel Load To Achieve Nominal Rated Out- put Per Hour (Kwh/Kg) (Seasoned Hardwood)	1.6
Mean CH Emission @ 13% O ₂ (%)	68
Mean NO _x Emission @ 13% O ₂ (%)	111
DIN Plus Particulates @ 13% O ₂ (%)	15
Ideal Log Length & Diameter (cms)	250 / 100

14 Notes :

14 Additional Notes :

ARADA

— DEVON —

All Arada Stoves are manufactured in the UK

Arada Ltd

The Fireworks,
Weycroft Avenue - Axminster - Devon
EX13 5HU
United Kingdom

www.aradastoves.com

T: +44 (0)1297 632050

Email : info@aradastoves.com