



charnwood ISLAND

II • III

Operating & Installation Instructions

ISLAND

II • III

CONTENTS

OPERATING INSTRUCTIONS

Fuel	4
Door Operation	4
Wood Ash Removal Grate	4
Riddling	5
Controlling The Fire	5
Ash Clearance	5
Tool Holder	5
Lighting	6
Refuelling	7
Maintenance	7
Throat Plate & Flueway Cleaning	7
Chimney Sweeping	8
Trouble Shooting	8
If you need Further help	9

INSTALLATION INSTRUCTIONS

Health & Safety Precautions	10
Unpacking the Stove	10
Specification	10
CO Alarms	10
Chimney	10
Hearth & Fire Surround	11
Connection to Flues	11-12
Soot Doors	12
Pre Lighting Check	12
Commissioning	12
Clean Air Act Information	12
Island II Dimensions	13
Island III Dimensions	14
Parts Lists	15-16
Certification	17



Before lighting the stove check with the installer that the work and checks described in the Installation Instructions have been carried out correctly and that the chimney has been swept, is sound and free from any obstructions. The stove is not suitable for use in a shared flue system.

Your Island stove has been designed to work with the minimum effort. If any operation - such as riddling the grate or opening and closing the doors - begins to require extra force then the cause must be investigated and corrected to prevent damage being caused to the stove.

This stove will not produce significant smoke if well seasoned logs of less than 20% moisture content are burnt and these instructions are adhered to. Burning wet (>20% moisture content) wood and operating the stove in an irresponsible manner may produce smoke which is illegal in smoke controlled areas.

Remember that the stove will be hot and that it is made from hard materials. Ensure that you have a good balance before operating the fire.

When using the stove in situations where children, aged and/or infirm persons are present a fireguard must be used to prevent accidental contact with the stove. The fireguard should be manufactured in accordance with BS 8423:2002.

Do not use an aerosol spray on or near the stove when it is alight as there is a serious risk of explosion or flash ignition of the spray.

This stove is capable of intermittent operation.

FUEL

This stove is intended for burning wood. Only dry, well seasoned wood should be burnt on this appliance as burning wet unseasoned wood will give rise to heavy tar deposits in the stove, on the glass and within the chimney. For the same reason hard woods (such as Ash, Beech and Oak) are better than soft woods (such as Pine and Spruce). Burning wet unseasoned wood will also result in considerably reduced outputs. The wood should be cut and split and then left to season in a well ventilated dry place for at least one year but preferably two years before use.

PETROLEUM COKE IS NOT SUITABLE FOR USE ON THIS APPLIANCE. ITS USE WILL INVALIDATE THE GUARANTEE.

This stove is not designed to burn household waste. For advice on other fuels please contact Charnwood.

Logs of the following sizes are suitable:

Log moisture content of <20% is recommended.

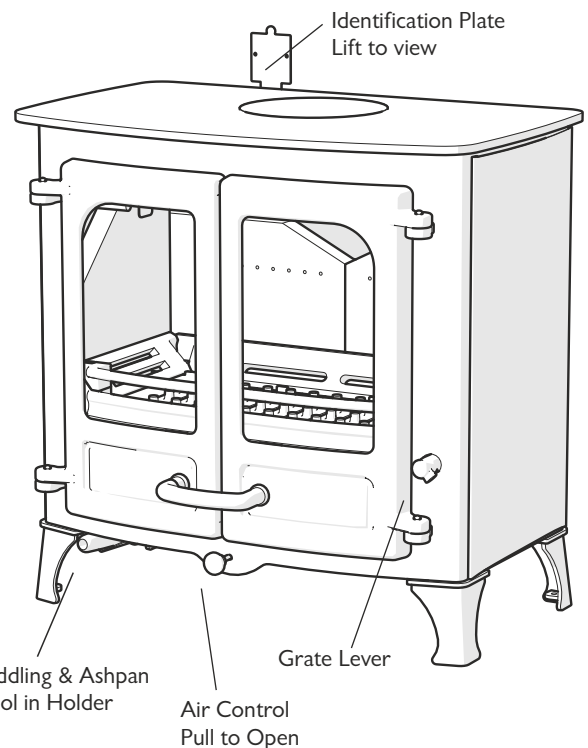
	Maximum Length	Approx. Diameter
Island 2	440mm (17.25")	Up to 100 mm (4")
Island 3	550mm (21.6")	Up to 100mm (4")
Front to Back Loading (all models)	240mm (9.4")	Up to 100mm (4")

DOOR OPERATION

The door handle has been carefully designed so that in normal use it may be operated using bare hands. However, if you need to open the doors when the fire is running at maximum then the use of a cloth or glove may be required.

Take care not to touch the doors as they will be hot when the fire is burning. Turn the door handle clockwise to open, and anti-clockwise to close. The stove is normally run with the doors shut.

Fig. 1. Stove Controls



WOOD ASH REMOVAL GRATE

Your Charnwood Island is fitted with a wood ash removal grate to enable wood to be burned and ash to be cleared. The grate has two positions:

- 1) In the open position the grate bars are vertical with gaps in between allowing the primary combustion air to come up through the grate and through the fuel bed.
- 2) In the closed position the grate bars are horizontal, allowing the combustion air to come round the sides of the grate and over the

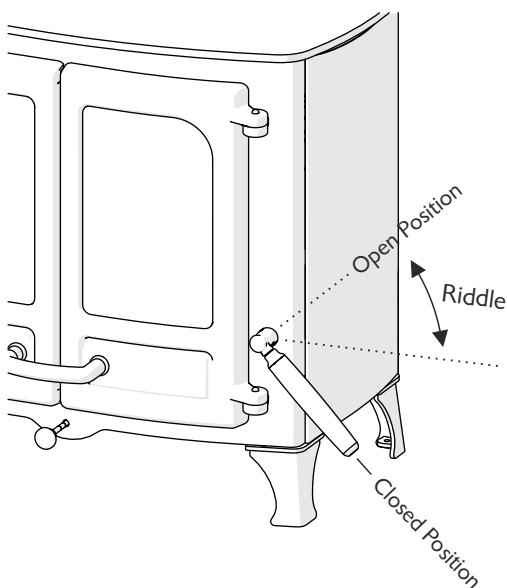
top of it. When in the closed position ash is able to build up on the grate as is necessary for effective wood burning.

Movement of the grate from one position to the other is effected using the tool supplied as shown in Fig. 2. The grate is put into the open position by moving the tool up until the handle is in the 1 o'clock position. The grate is put into the closed position by moving the tool down until the handle is in the 5 o'clock position. To riddle the appliance, the tool should be moved between the open and horizontal positions several times. When burning wood the ash should be allowed to build up and riddling should only be carried out once or twice a week.

RIDDLING

When burning wood, ash should be allowed to build up and only riddled when the ash begins to cover the slots in the rear fireplate. The fire should be riddled with the doors shut (see Fig. 2). Place the tool onto the riddling lever and rotate between the 1 o'clock and 3 o'clock positions several times. Too much riddling can result in emptying unburnt fuel into the ashpan and should therefore be avoided. After riddling, the grate should be put back into the open or closed position as required (the tool should be in the 1 o'clock position for open grate or in the 5 o'clock position for closed grate).

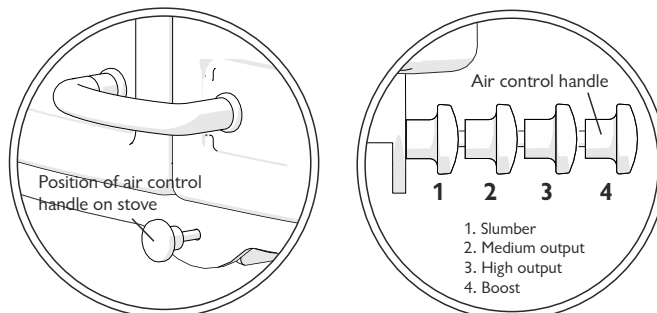
Fig. 2. Wood Ash Removal Grate



CONTROLLING THE FIRE

The fire is controlled by the single air control knob shown in Fig. 3. Pull the knob out to make the fire burn faster, push it in to make the fire burn slower.

Fig. 3 Air control



This unique QuattroFlow™ air control* provides carefully balanced primary, secondary, tertiary and bypass air to enable optimum burning conditions without the need to fiddle with multiple controls.

For correct firing we recommend the use of a stove pipe thermometer which may be purchased from your supplier or from ourselves.

Quattroflow™ air control settings for nominal heat output

Model	Position
Island II	3
Island III	3

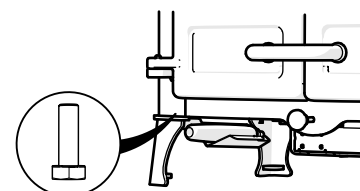
ASH CLEARANCE

The ashpan should be emptied regularly before it becomes too full. Never allow the ash to accumulate in the ashpan so that it comes in contact with the underside of the grate as this will seriously damage the grate bars. The ashpan is handled using the tool and gloves provided. Care should be taken to ensure that ash is cool before emptying it into plastic liners or bins.

To make ash removal easier there is a special Charnwood ash carrier available. This may be purchased from your supplier or, in case of difficulty, from ourselves.

TOOL HOLDER

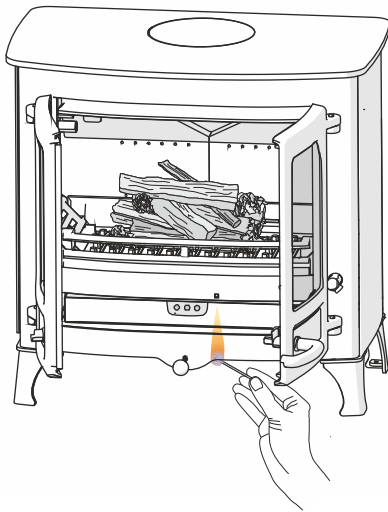
The tool holder is fitted by the installer underneath the front facing left leg and is supplied inside a bag. To fit the tool holder, slacken the bolt (located under front facing left leg) with a 13mm spanner, slide the tool holder in to place and tighten the bolt back up again. Once fitted, the tool holder will hold the riddling/ashpan tool when it is not in use.



LIGHTING

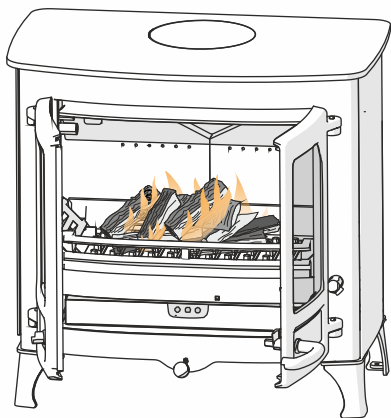
On initial lighting, the stove may smoke and give off an odour as the silicon paint with which the firebox is painted reacts to the heat. This is normal and will cease after a short time, but meanwhile the room should be kept well ventilated. At first only light a small fire and burn it slowly for two hours to allow any residual moisture in the bricks to evaporate.

Fig. 4 Initial Firing



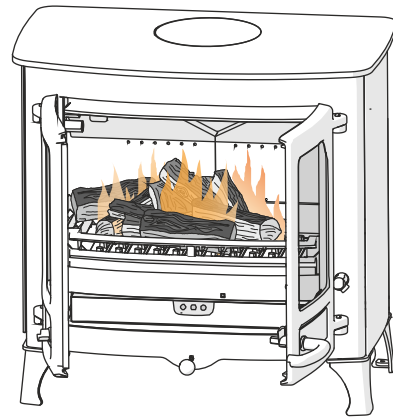
Light the stove using dry kindling wood and paper or fire lighters. Set the grate into the closed position. Place the paper, or fire lighters, and kindling on the grate and cover with a few small dry logs. Open the air control fully (see Fig. 3). Light the paper or fire lighters. The door may be left cracked open for a few minutes to assist the combustion and heat up the firebox more quickly.

Fig. 5 Building up the fire



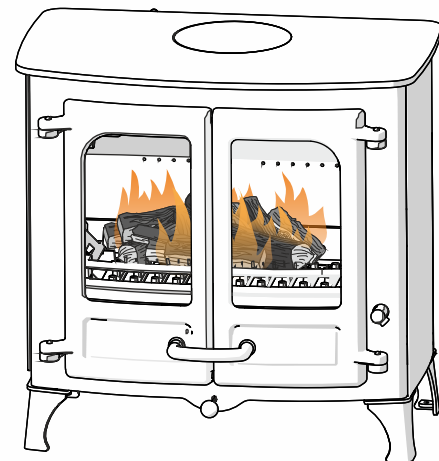
When the kindling wood is well alight add a few small logs and close the door, but leave the air control fully open. When the flames are established around the smaller logs, load the stove with larger logs to the level of the air holes in the back firebricks. See page 4 for maximum log sizes for each stove. Maintain the air control at maximum at this stage.

Fig. 6 Adding larger logs



Once long flames appear over the fire, reduce the air control to the "high output" setting. Once the fire is well established - with each log alight at the top - the air setting can be reduced again, depending on the type of fire required.

Fig. 7 Fire well underway



Once the fire is up to temperature the airwash system will begin to work, so allow the fire to become hot before adjusting the air controls to the required setting. If at any stage the flames start to go out or the glass begins to discolour, a higher setting is required. To achieve this, pull the air control back out to re-establish a consistent burn.

During the lighting period, do not leave the stove unattended. Do not leave the door open except as directed above to avoid excessive smoke. When relighting the stove, riddle slightly and then empty the ashpan.

REFUELLING

Keep the firebox filled up to the level of the air holes in the back firebrick, but do not overfill to prevent fuel from spilling over the top of the front fire bar. Logs should be evenly distributed, filling the firebed to give the most pleasing flame pattern. The air control must be fully opened after refuelling until the flames are established above the fire. It is best to refuel on to a hot bed of ash. If at this point the fire starts to die, the doors must be cracked open until the fire is revived in order that smoke may not be produced. If the fire has started to die down before refuelling, then more kindling wood must be added, the air control opened fully and the door cracked open to re-establish the firebed **before** adding larger logs.

Care should be taken especially when burning wood that fuel does not project over the front fire bar or damage to the glass may be caused when the doors are closed. It can also cause the glass to blacken. Maximum filling height is such that logs cannot fall from the fire when the doors are opened. Liquid fuels are not to be used on this appliance.

MAINTENANCE

Cleaning

The stove is finished with a high temperature paint which will withstand the temperatures encountered in normal use. This may be cleaned with a damp lint-free cloth when the stove is cold. Should re-painting become necessary then special high temperature paints are available from your supplier or from Charnwood.

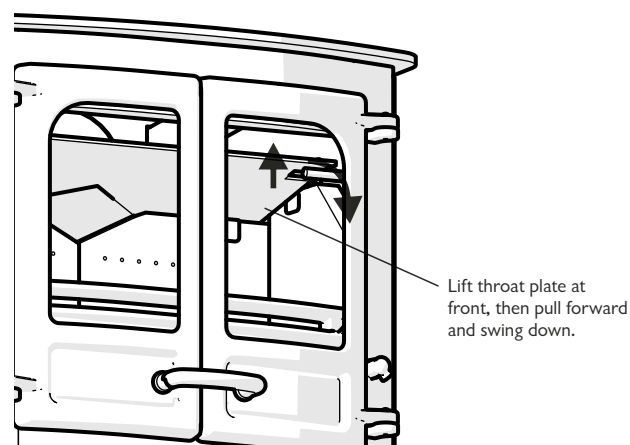
Cleaning the Glass

The glass in the doors is a special ceramic glass which is able to withstand high temperatures. Before cleaning the glass open the doors and allow them to cool. Clean the glass using a damp cloth and then wipe over with a dry cloth. Any stubborn deposits on the glass may be removed with a proprietary stove glass cleaner or ceramic hob cleaner. Some deposits on the glass may be burnt off simply by running the fire at a fast rate for a few minutes. Do not use abrasive cleaners or pads as these can scratch the surface which will weaken the glass and cause premature failure. Aerosol spray cleaners should not be used near the appliance whilst it is under fire.

When Not in Use

If the fire is going to be out of use for a long period (for instance in the summer) then to prevent condensation, and hence corrosion, the air control should be left fully open and the fire doors left ajar. It is also advisable to sweep the chimney and clean out the fire. Spraying the inside of the doors and firebox with a light oil, such as WD40, will also help to keep all internal parts working well.

Fig. 8. Throat Plate



After long periods where the fire has been out of use, the chimney and appliance flueways should be cleaned before lighting.

Door Seals

For the fire to operate correctly it is important that the door seals are in good condition. Check that they do not become worn or frayed and replace them when necessary.

Servicing

It is recommended that the fire is serviced once a year to keep it in first class working order. After cleaning out the firebox thoroughly, check that all internal parts are in good working order, replacing any parts that are beginning to show signs of wear. Check that the doors seals are in good condition and that the doors seal correctly. A servicing guide is available on request. Repairs or modifications may only be carried out by the Manufacturer or their approved agents. Use only genuine Charnwood replacement parts.

THROAT PLATE AND FLUEWAY CLEANING

It is important that the throat plate and all the stove flueways are kept clean. They should be checked approximately once a week, by looking up into the firebox for signs of soot or fly-ash on the throat plate and at the sides of the firebox. If there are signs of a build up of soot or fly-ash deposits then the fire must be let out in order to clean the throat plate and flueways.

Before attempting to clean the throat plate and flueways, ensure that the fire is cold. Wear suitable gloves to prevent irritation from soot deposits. To remove the throat plate lift the front edge up and slide the plate forward until it comes clear of the front pegs, then swing the front edge down (see Fig. 8).

CHIMNEY SWEEPING

The chimney should be swept at least once a year. Where a top outlet is used it will generally be possible to sweep the chimney through the appliance.

First remove the front firebar, side fire plates, and the throat plate. Then sweep the chimney ensuring that soot is removed from all horizontal surfaces after sweeping.

In situations where it is not possible to sweep through the appliance the installer will have provided alternative means, such as a soot door.

After sweeping the chimney the appliance flue outlet and the flue pipe connecting the stove to the chimney must be cleaned with a flue brush.

After clearing any soot from within the stove, replace the throat plate (see Fig. 8), the side fireplates, and front firebar.

Different types of sweep's brushes are available to suit different flueways. For prefabricated insulated chimneys the manufacturers instructions with regard to sweeping should be consulted.

TROUBLE SHOOTING

Fire Will Not Burn

Check that:

- the air inlet at the rear of the stove is not obstructed in any way,
- chimneys and flueways are clear,
- a suitable fuel is being used,
- there is an adequate air supply into the room,
- an extractor fan is not fitted in the same room as the stove,
- there is sufficient draw in the chimney, (once the chimney is warm a draught reading of at least 0.05 inches (1.25mm) water gauge (12 Pa) should be obtained).

Blackening of Door Glass

Keeping the glass clean requires a certain amount of experimentation due to the differences in the draw of different chimneys. The following points should be noted and with a little care should enable the glass to be kept clean in most situations:

- The airwash relies on a supply of heated air to keep the glass clean. Therefore, when lighting the stove, allow the firebed to become well established before closing the air control. This also applies when re-fuelling the stove.
- When re-fuelling, keep the fuel as far back from the front firebar as possible, do not try to fit too much fuel into the firebox.
- Wet wood or logs overhanging the front firebars will cause the

glass to blacken.

- There is a bypass slide that can be adjusted to suit the particular installation. This allows a small amount of airwash air to enter the stove even when the air control is closed. This can be adjusted to help with keeping the glass clean when the fire is slumbering.

It is always more difficult to keep the glass clean when running the stove very slowly for long periods.

Check that all flue connections and the blanking plate are well sealed.

It is also important that the chimney draw is sufficient (when the chimney is warm a draught reading of at least 0.05 inches water gauge (12 Pa) should be obtained), and that it is not affected by down-draught.

Occasionally some blackening of the glass may occur below the level of the front firebars. This will not obscure the view of the fire or affect its performance.

Fume Emission

Warning Note: Properly installed and operated this appliance will not emit fumes. Occasional fume from de-ashing and re-fuelling may occur. Persistent fume emission is potentially dangerous and must not be tolerated. If fume emission does persist, then the following immediate actions should be taken:

- Open doors and windows to ventilate the room, and then leave then premises.
- Let the fire go out.
- Check for flue or chimney blockage, and clean if required.
- Do not attempt to re-light the fire until cause of fume has been identified, if necessary seek professional advice.

The most common cause of fume emission is flueway or chimney blockage. For your own safety these must be kept clean.

CO Alarm

Your installer should have fitted a CO alarm in the same room as the appliance. If the alarm sounds unexpectedly, follow the instructions given under "Warning Note" above.

Fire blazing out of control

Check that:

- The doors are tightly closed.
- The air control is pushed in.
- A suitable fuel is being used.
- Door seals and air control flap pads are intact.

Chimney Fires

If the chimney is thoroughly and regularly swept, chimney fires

should not occur. However, if a chimney fire does occur push the air control in fully tightly close the doors of the appliance. This should cause the chimney fire to go out in which case the control should be kept closed until the stove has gone out. The chimney and flueways should then be cleaned. If the chimney fire does not go out when the above action is taken then the fire brigade should be called immediately.

After a chimney fire the chimney should be carefully examined for any damage. Expert advice should be sought if necessary.

IF YOU NEED FURTHER HELP

If you need further help with your Charnwood Island then your Installer will be able to provide the answers to most questions. Your Local Charnwood Premier Dealer has a great deal of experience and will also be able to provide helpful advice. Further help is available from the Charnwood Customer Services department who will be pleased to give advice, if necessary.

HEALTH AND SAFETY PRECAUTIONS

Please take care when installing the stove that the requirements of the Health and Safety at Work Act 1974 are met.

Some types of fire cement are caustic and should not be allowed to come into contact with the skin. In case of contact wash with plenty of water. If there is a possibility of disturbing any asbestos in the course of installation then please use appropriate protective equipment.

There must not be an extractor fan fitted in the same room as the stove as this can cause the appliance to emit fumes into the room.

There must be an adequate air supply into the room in which the appliance is installed to provide combustion air. The **Island 1** has a 5kW output and therefore a permanent air vent is not normally required. The combustion air supply for Island 2 & 3 must be via a permanently open vent. Minimum free areas are: **Island 2:** 16.5cm² (2.5 in²) & **Island 3:** 38.5cm² (6 in²) This is particularly necessary if the room is double glazed. It must be positioned such that it is not liable to blockage.

This stove is not suitable for use in a shared flue system.

In addition to these instructions the requirements of BS.8303 and BS EN15287-1:2007 must be fulfilled. Local Authority Bylaws and Building Regulations, including those referring to National and European Standards regarding the installation of Solid Fuel burning appliances, flues and chimneys must also be observed.

A fixed ducted air supply may be used as an alternative to the traditional method of using a permanent open vent into a room to supply air for combustion.

External air supply kits are available please contact Charnwood for more information.

SPECIFICATION

Specification	Island II	Island III
Output kW (BTU/h)	8.5 (29,003)	11.3 (38,557)
Mass kg	140	170
Flue Gas Temp °C	338	335
Flue Spigot Temp °C	406	402
Flue Gas Mass Flow g/s	6.1	8.2
Max Hearth Temp °C	78.8	93.7
Refuelling Interval hrs	0.75	0.75

UNPACKING THE STOVE

The stove arrives bolted and shrink-wrapped to its pallet. There must be adequate facilities for unloading and manoeuvring into position. The wrapping is first removed, then the stove can be released from the pallet. The pallet is intended to be cut up and used for kindling fuel.

CO ALARMS

Building regulations require that when ever a new or replacement fixed solid fuel or wood/biomass appliance is installed in a dwelling a carbon monoxide alarm must be fitted in the same room as the appliance. Further guidance on the installation of the carbon monoxide alarm is available in BS EN 50292:2002 and from the alarm manufacturer's instructions. Provision of an alarm must not be considered a substitute for either installing the appliance correctly or ensuring regular servicing and maintenance of the appliance and chimney system.

CHIMNEY

In order for the appliance to perform satisfactorily the chimney height must not be less than 4 metres measured vertically from the outlet of the stove to the top of the chimney. For the **Island 1 & Island 2** the chimney must not be less than 150mm (6 inches) internal diameter or 150 x 150mm internal square. For the **Island 3** the chimney must not be less than 175mm (7 inches) internal diameter or 175 x 175mm internal square. If an existing chimney is to be used, it must be swept and checked, it must be in good condition, free from cracks and blockages, and should not have an excessive cross sectional area. If you find that the chimney is in poor condition then expert advice should be sought regarding the necessity of having the chimney lined. If it is found necessary to line the chimney then a lining suitable for Solid Fuel must be used.

If there is no existing chimney then a prefabricated block chimney or a twin walled insulated stainless steel flue to BS EN15287-1:2007 can be used either internally or externally. These chimneys must be fitted in accordance with the manufacturers instructions and Building Regulations.

Anki pumice liners or chimney blocks will give a highly insulated chimney which will work well with all fuels. For details ring Anki Chimney Systems on (01983) 527997.

Single wall flue pipe, of diameter no less than the stove outlet, is suitable for connecting the stove to the chimney but is not suitable for using for the complete chimney.

If it is found that there is excessive draw in the chimney then a draught stabilizer should be fitted.

It is important that there is sufficient draw in the chimney and that the chimney does not suffer from down-draught. When the chimney is warm the draw should be not less than 0.05 inches water gauge (12Pa). If in doubt about the chimney seek expert advice.

HEARTH AND FIRE SURROUND

The stove must stand on a fireproof hearth and combustible materials must not be used in the construction of the fireplace unless adequately fireproofed in accordance with local building regulations. The hearth must be at least 12mm (0.5inches) thick. The positioning of the stove and the size of the hearth are governed by building regulations for Class 1 appliances. These building regulations state that the hearth must extend in front of the stove by at least 225mm (9 inches) and to the sides of the stove by at least 150mm (6 inches). Where possible it is helpful for the hearth to extend as far as the doors when fully opened. If in doubt as to the positioning of the stove expert advice should be sought either from the supplier or the local building inspector.

The fireplace must allow good circulation of air around the appliance to ensure that maximum heat is transferred to the room and also to prevent the fireplace from overheating. A gap of 150mm (6 inches) each side and 300mm (12 inches) above the appliance should give sufficient air circulation. If a wooden mantelpiece or beam is used in the fireplace it should be a minimum of 460mm (18 inches), and preferably 600mm (24 inches) from the appliance. In some situations it may be necessary to shield the beam or mantelpiece to protect it.

In order for the fire to operate correctly there must be an air gap behind the appliance of at least 40mm, but be aware that this distance will need to be greater in some cases to meet Building Regulation requirements.

The appliance should be installed on a floor with adequate load-bearing capacity. If an existing construction does not meet this requirement then please take suitable measures to achieve this. (e.g. load distributing plate.)

CONNECTIONS TO FLUES

There are several ways of connecting the stove to the flue. These are illustrated in figures 9 to 12.

If a top flue connection (as shown in Fig. 11) or the vertical rear flue connector (shown in Fig. 12) are used, then the chimney may be swept through the appliance.

Fig. 9 Vertical Register Plate With Bricked Up Fireplace

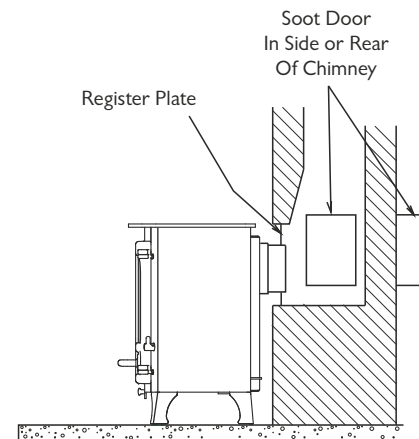


Fig. 10 Horizontal Register Plate With Rear Flue Connection

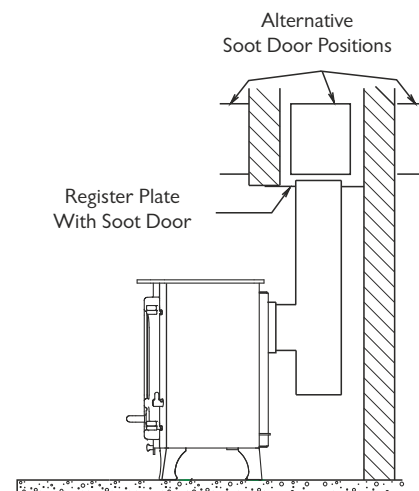


Fig. 11 Horizontal Register Plate With Top Flue Connection

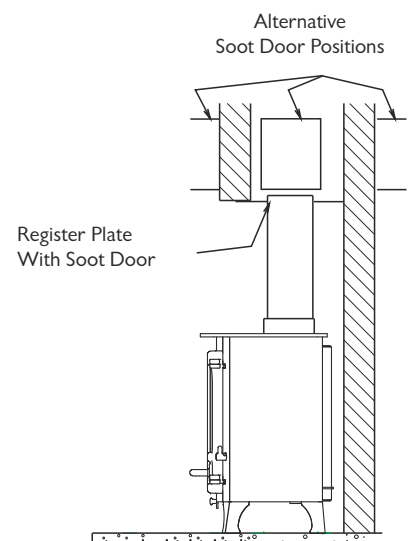
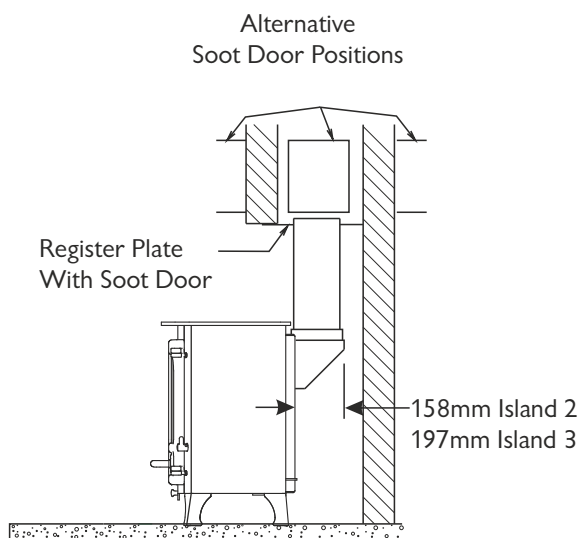


Fig. 12 Horizontal Register Plate With Optional Vertical Rear Flue Connector



Horizontal lengths of flue must be kept to a minimum and should not be more than the flue diameter. The sealing face of the flue collar should be coated with fire cement before fixing to the body of the stove using the two screws provided. The blanking plate must be removed, sealed with fire cement and refitted, care being taken to ensure that the fold on the clamping plate is in line with the lugs on the firebox as shown on the label on the clamping plate. Ensure that the clamping plate does not prevent the throat plate from seating correctly. All flue connections must be well sealed.

SOOT DOORS

It is possible to pass a 16 inch diameter sweeps brush through the appliance but in most back outlet installations it will be necessary to have a soot door to enable the chimney to be swept. This may either be in the actual brickwork of the chimney or in the register plate. Various types and positions of soot doors are shown in figs. 9 to 12.

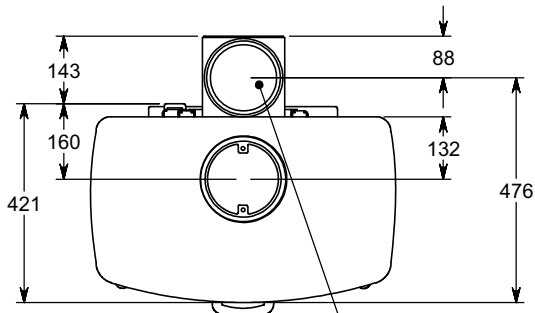
PRE LIGHTING CHECK

Before initial lighting the following points should be checked:

1. The bottom grate bars must all be fitted and should move freely and easily when the ridding mechanism is operated.
2. The plates round the sides and back of the grate must be in position and sitting correctly.
- 3 The throat plate must be fitted in the roof of the appliance and should be checked to ensure that it has not become dislodged in transit. The method of location and positioning of the throat plate is shown in Fig. 8.

COMMISSIONING

On completion of the installation and after allowing a suitable period of time for the fire cement and mortar to dry out, the stove should be lit and checked to ensure that smoke and fumes are taken from the appliance up the chimney and emitted safely. Also check all joints and seals. On completion of the installation and commissioning please leave the operating instructions with the customer and advise them on the use of the appliance.

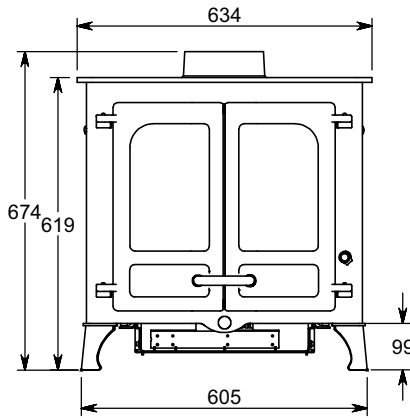


TOP VIEW

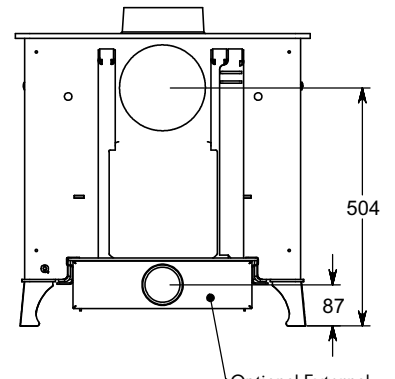
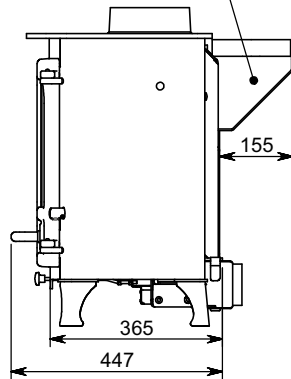
Optional Vertical Rear Flue Adapter

charnwood ISLAND^{II}

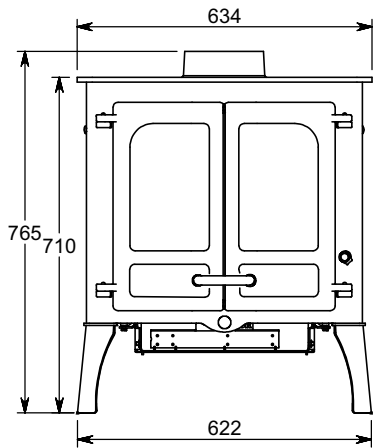
Flue outlet to suit 150mm (6") flue pipe



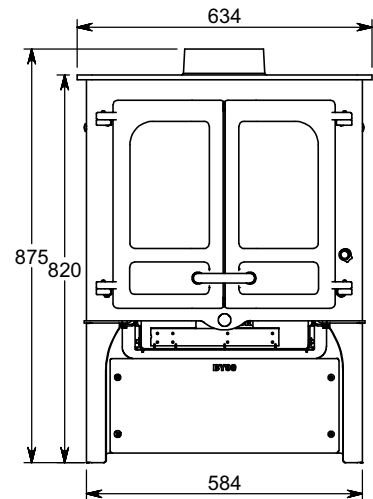
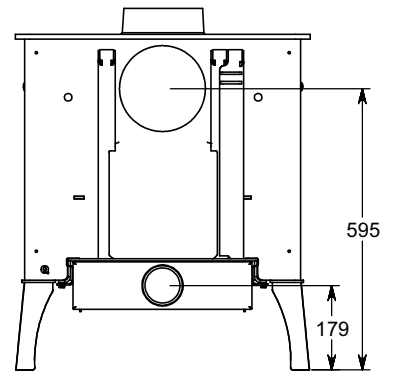
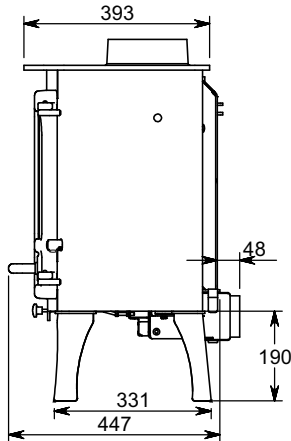
STANDARD LEG



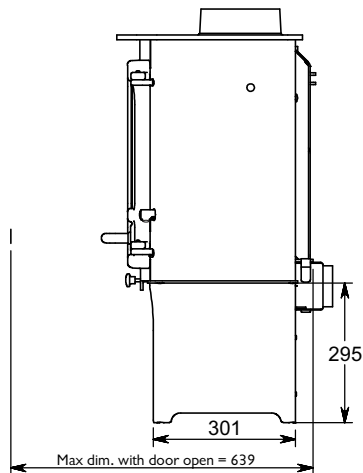
Optional External Air Manifold



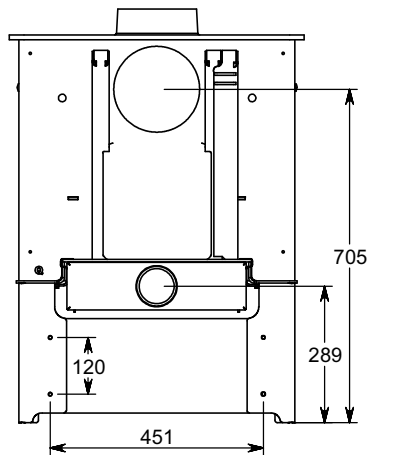
HIGH LEG



STORE STAND



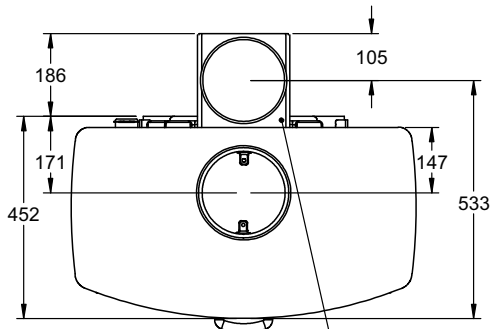
Max dim. with door open = 639



FRONT VIEW

SIDE VIEW

BACK VIEW

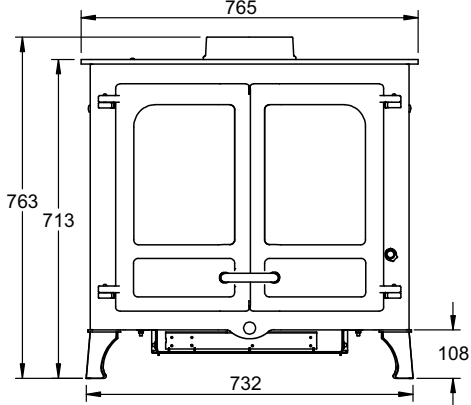


TOP VIEW

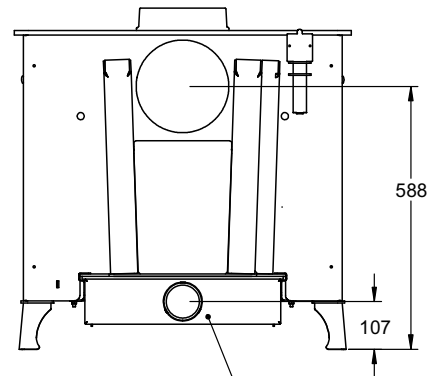
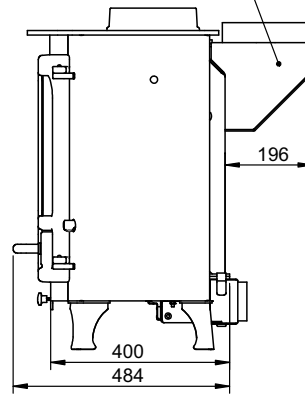
charnwood ISLAND^{III}

Flue outlet to suit 175mm (7") flue pipe

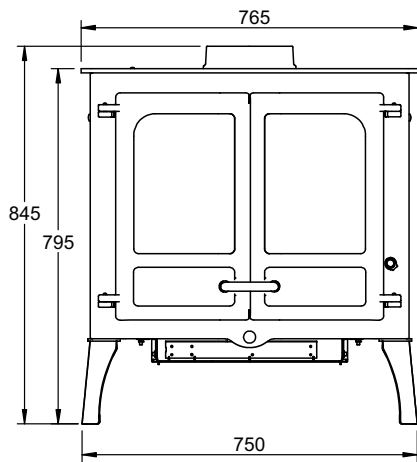
Optional Vertical Rear Flue Adapter



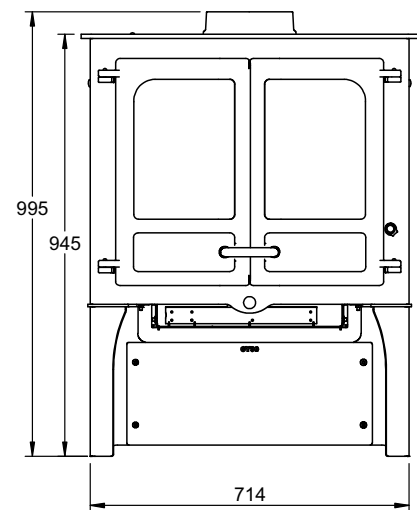
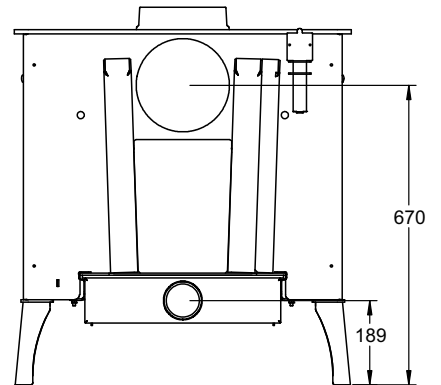
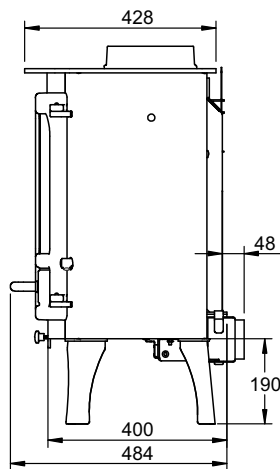
STANDARD LEG



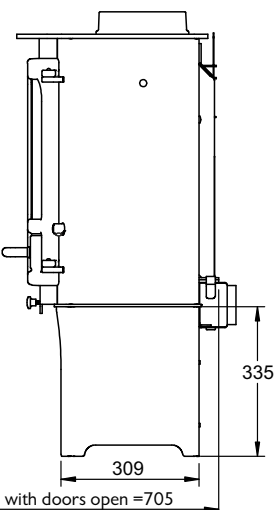
Optional External air manifold



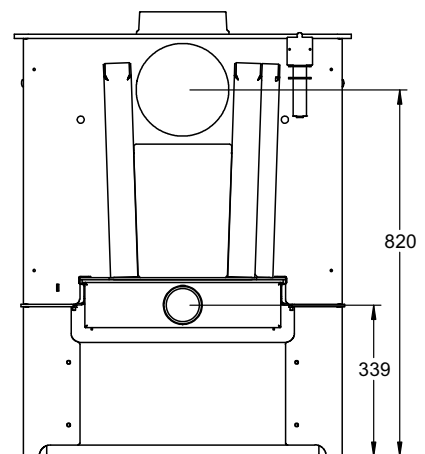
HIGH LEG



STORE STAND



Max dim. with doors open = 705



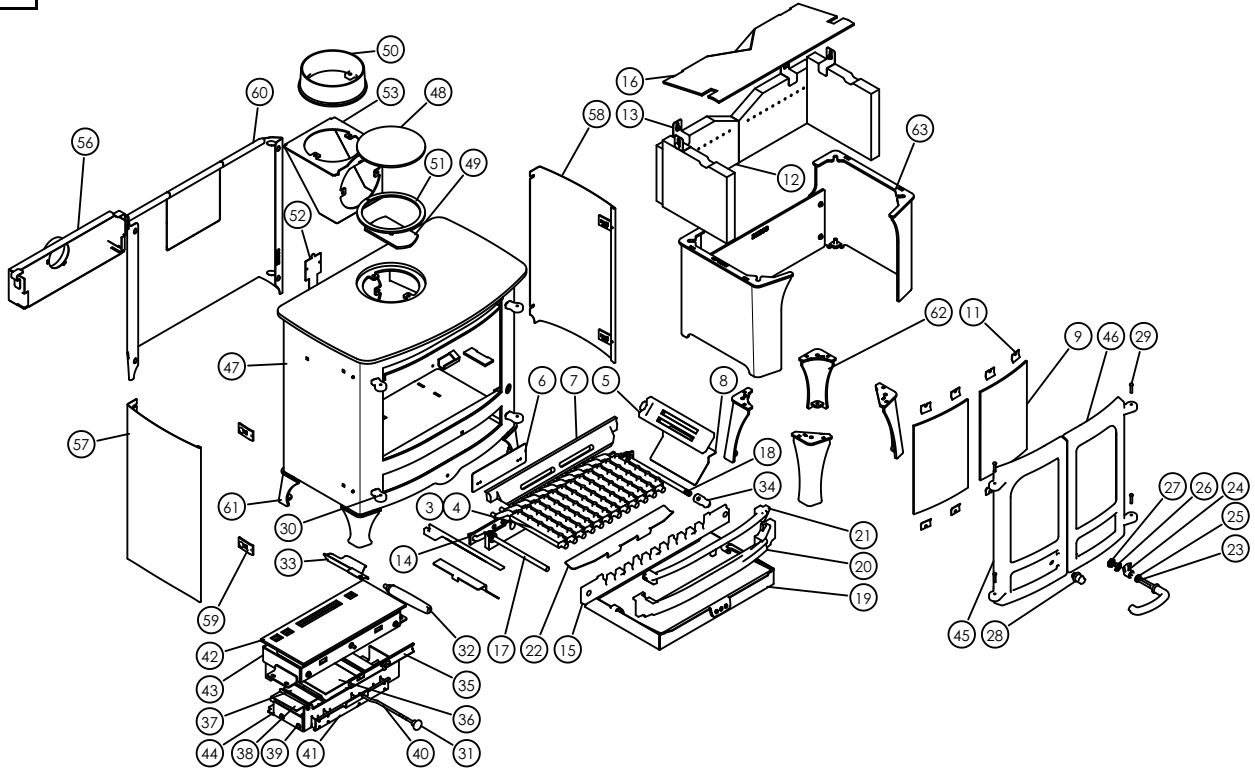
FRONT VIEW

SIDE VIEW

BACK VIEW

Charnwood Island II (bze) Parts List

Issue A



Item	Part No.	Description	Item	Part No.	Description
1*	008/BY35S	Door Seal Set Inc. Adhesive	33	004/BX048	Tool Holder
2*	008/FW29	Door Seal Adhesive	34	002/PX89	Riddler Knob
3	002/CG20	Individual Grate Bar	35	004/AY21	Air Bypass Slide
4	002/CG20S12	Set of Grate Bars (12)	36	004/AY22-1P	Primary Air Inlet Flap
5	002/CY15	Side Fire Plate	37	008/AY26S	Set of Air Inlet Flap Pads
6	004/BZE081	Undegrate Blanking Plate	38	004/AY22-1S	Secondary/Bypass Air Inlet Flap
7	002/BY16	Back Fire Plate	39	004/AY24-02	Flap Mounting Rod (Inc. Fixings)
8	004/BY24	Ash Shedding Plate	40	004/BY23-07	Air Control Rod
9	006/BY18	Glass (Inc Seal)	41	004/AY23	Actuator Assembly
10*	008/AY45	Glass Seal	42	008/AY39	Upper Quattro Box Gasket
11	004/KV23	Glass Retainer	43	010/AY20	Upper Quattro Box
12	011/BZE148S	Set Of Fire Bricks	44	010/AY19	Lower Quattro Box
13	004/XV30	Brick Retainer	45	002/BY01/A	Left Hand Door Assembly
14	012/BY33	Mover Bar	46	002/BY02/A	Right Hand Door Assembly
15	002/BY30	Carrier Bar	47#	001/BZ010	Firebox (Island IIZ)
16	010/BY47	Throat Plate	48	012/TW09	Blanking Plate
17	012/AY13	Idler Rod	49	010/AY51	Clamping Plate
18	012/AY15	Riddler Rod	50	002/CH12B	Flue Collar
19	004/BX17	Ashpan	51	008/NV38	Flue Fixing Rope Seal (10mm Dia)
20	002/BY07B	Front Firebar	52	012/BZ011	Serial No. Label
21	002/BY08	Deepening Bar	53#	010/TW33	Vert. Rear Flue Connector (Opt'l Extra)
22	004/AY78	Front Ash Shedding Plate	54*	010/BW51	Ash Carrier (Optional Extra)
23	008/KV16	R.H. Door Handle	55*	010/BY83	Smoke Reducing Kit
24	002/AY14	Door Catch Cam	56#	010/TH63	External Air Manifold Kit
25	008/FFW015	M12 Double Coil Spring Washer	57#	005/BX093L	LH Curved Panel (Optional)
26	004/ST008	Tabbed Locking Washer	58#	005/BX093R	RH Curved Panel (Optional)
27	008/FFN001	M12 Half Nut	59	010/AX096	Panel Fixing Bracket
28	008/KV13	L.H. Door Knob	60#	010/BX080	Heatshield (Opt'l Extra)
29	008/BW39/S	Hinge Pin Set	61#	010/BY12S	Set of Low Legs (4)
30	002/PY24	Hinge Post	62#	010/BY13S	Set of High Legs (4)
31	008/AY37	Air Control Knob	63#	010/BY87	Store Stand
32	010/PX95	Riddling/Ashpan Tool			

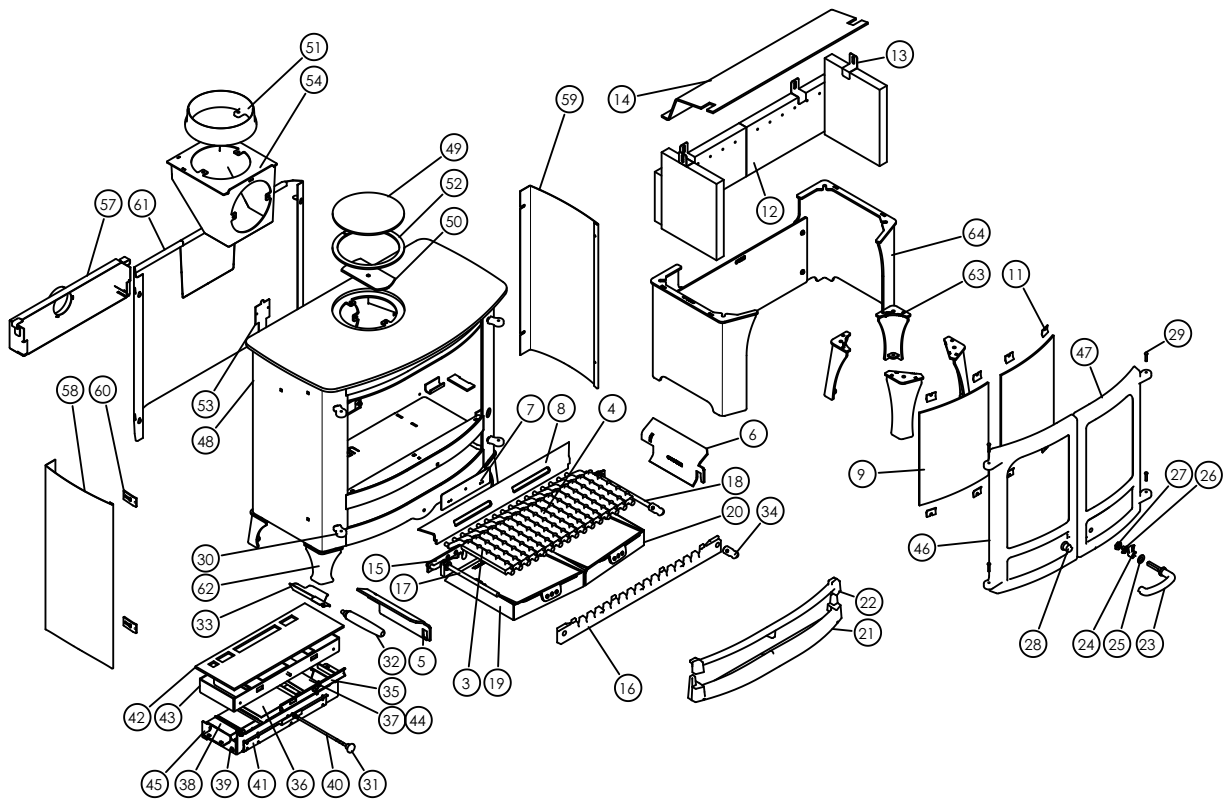
* These items are not shown on the drawing
Please specify colour when ordering.

To obtain spare parts please contact your local stockist giving Model, Part No. and Description. In case of difficulty contact the manufacturer at the address shown.
This drawing is for identification purposes only.



Charnwood Island III (cze) Parts List

Issue A



Item	Part No.	Description	Item	Part No.	Description
1*	008/CY40S	Door Seal Set Inc. Adhesive	33	004/BX048	Tool Holder
2*	008/FW29	Door Seal Adhesive	34	002/PX89	Riddler Knob
3	002/CG20	Individual Grate Bar	35	004/CY21	Air Bypass Slide
4	002/CG20S16	Set of Grate Bars (16)	36	004/CY22P	Primary Air Inlet Flap
5	010/CY14L	Side Fire Plate L.H.	37	004/CY22S	Secondary Air Inlet Flap
6	010/CY14R	Side Fire Plate R.H.	38	004/AY22-15	Secondary/Bypass Air Inlet Flap
7	004/CZE081	Undergrate Blanking Plate	39	004/CY24	Flap Mounting Rod (Inc. Fixings)
8	010/CY16	Back Fire Plate	40	004/CY32	Air Control Rod
9	006/CY18	Glass (Inc Seal)	41	004/CY23	Actuator Assembly
10*	008/CY41	Glass Seal	42	008/CY39	Upper Quattro Box Gasket
11	004/KV23	Glass Retainer	43	010/CY20	Upper Quattro Box
12	011/CZE129S	Set of Fire Bricks	44	008/CY26S	Set of Air Inlet Flap Pads
13	004/XV30	Brick Retainer	45	010/CY19	Lower Quattro Box
14	010/CY31	Throat Plate	46	002/CY01/A	Left Hand Door Assembly
15	012/CY33	Mover Bar	47	002/CY02/A	Right Hand Door Assembly
16	002/CY30	Carrier Bar	48#	001/CZ010	Firebox (Island IIIZ)
17	012/AY13	Idler Rod	49	010/CY37	Blanking Plate
18	012/AY15	Riddler Rod	50	010/CY61	Clamping Plate
19	004/CX17L	Ashpan L.H.	51	002/CY45	Flue Collar
20	004/CX17R	Ashpan R.H.	52	008/CY38	Flue Fixing Rope Seal
21	002/CY07C	Front Firebar	53	012/CZ011	Serial No. Label
22	002/CY08C	Deepening Bar	54#	010/CY34	Vert. Rear Flue Connector (Opt'l Extra)
23	008/KV16	R.H. Door Handle	55*	010/BW51	Ash Carrier (Optional Extra)
24	002/AY14	Door Catch Cam	56*	010/CY83	Smoke Reducing Kit
25	008/FFW015	M12 Double Coil Spring Washer	57	010/TH64	External Air Manifold Kit
26	004/ST008	Tabbed Locking Washer	58#	005/CX093R	RH Curved Panel (Opt'l Extra)
27	008/FFN001	M12 Half Nut	58#	005/CX093L	LH Curved Panel (Opt'l Extra)
28	008/KV13	L.H. Door Knob	60	010/AX096	Panel Fixing Bracket
29	008/BW39/S	Hinge Pin Set	61#	010/CX080	Heatshield (Opt'l Extra)
30	002/PY24	Hinge Post	62#	010/CY12S	Set of Low Legs (4)
31	008/AY37	Air Control Knob	63#	010/CY64S	Set of High Legs (4)
32	008/PX95	Riddling/Ashpan Tool	64#	010/CY87	Store Stand

* These items are not shown on the drawing
Please specify colour when ordering.

To obtain spare parts please contact your local stockist giving Model, Part No. and Description. In case of difficulty contact the manufacturer at the address shown.
This drawing is for identification purposes only.





charnwood



A.J WELLS & SONS LTD

18

Bishops Way, Newport, Isle of Wight PO30 5WS, United Kingdom

A Division of A.J.Wells & Sons Limited Registered in England No. 03809371

EN13240:2001 **ISLAND** **II • III**

ROOMHEATERS FIRED BY SOLID FUEL

Roomheater Model	Island II	Island III
EC Certificate of conformity no:	BZE50-CPD-2015	CZE50-CPD-2015
Fuel type:	WOOD LOGS	WOOD LOGS
Emission of CO in combustion products:	0.09%	0.09%
Mean flue gas temperature:	338°C	335°C
Flue spigot temperature	406°C	402°C
Space heating thermal output:	8kW	11kW
Energy efficiency	79%	79%
Minimum distance to combustible materials Side: Rear:	450mm 600mm	600mm 600mm
Particles (mg/m ³)	37	22
Fulfilled requirements: BStV of the City of Munich and the City of Regensburg FBStVO of the City of Aachen and the City of Düsseldorf 1.and 2. level of 1. BlmSchV of Germany	✓	✓

your premier dealer

charnwood BISHOPS WAY, NEWPORT, ISLE OF WIGHT PO30 5WS, UNITED KINGDOM
T:+44 (0)1983 537777 • F:+44 (0)1983 537788 • CONTACT US AT WWW.CHARNWOOD.COM

