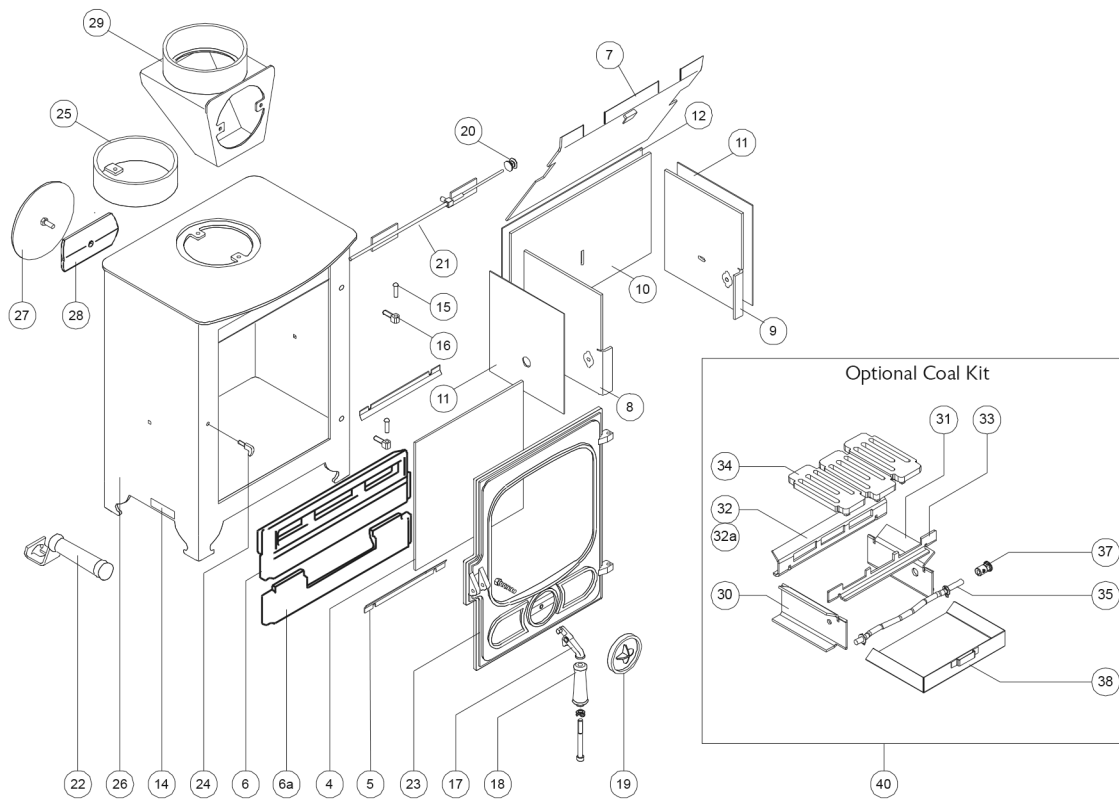




Issue N



| Item | Part No. | Description | Item | Part No. | Description |
|------|------------|---|------|-------------|---|
| 1* | 008/PV21 | Door Seal | 23# | 002/PV01/A | Door Assembly |
| 2* | 008/FW29 | Door Seal Adhesive | 24 | 002/PV13 | Door Latch Hook |
| 3* | 008/PV55 | Glass Seal Kit | 25# | 002/PV12B | Flue Collar |
| 4 | 006/PV19 | Glass (Inc Seal) | 26 | 001/EY10 | Firebox (Country 4 MkII) |
| 5 | 004/KV23 | Glass Retainer | 27 | 012/PV09 | Blanking Plate |
| 6 | 002/EY23 | Fuel Retainer | 28 | 010/EY51 | Clamping Plate |
| 6a | 002/EY24 | Wood Ash Retainer | 29# | 010/PV33 | Vert. Rear Flue Adapter (Opt'l Extra) ... |
| 7 | 010/PV31 | Throat Plate | 30 | 010/EY04 | Left Hand Side Grate Support |
| 8 | 010/EY15L | L.H. Side Fire Plate (Inc Gasket) | 31 | 010/EY05 | Right Hand Side Grate Support |
| 9 | 010/EY15R | R.H. Side Fire Plate (Inc Gasket) | 32 | 010/EY09 | Rear Grate Support |
| 10 | 010/EY16 | Back Fire Plate (Inc Gasket) | 32a | 010/EY06B | Rear Grate Support (Use With Boiler) . |
| 11 | 011/PV26 | Side Ceramic Gasket | 33 | 010/EY06 | Front Grate Support |
| 12 | 011/PV27 | Back Ceramic Gasket | 34 | 002/EY03 | Grate Plate |
| 13 | 008/EY29 | Set of Fire Plates(3) & Gaskets | 35 | 010/EY13 | Riddler Rod |
| 14 | 012/PV11 | Serial No. Label | 36* | 008/DY23 | Riddler Rod Retaining Clips (Pack of 10 |
| 15 | 008/PV28/S | Hinge Pin Set (2 Per Set) | 37 | 002/DY21 | Riddler Knob |
| 16 | 008/FW28 | Hinge Post | 38 | 004/PV17 | Ashpan |
| 17 | 002/PV03 | Door Catch Lever | 40 | 010/EY20 | Multifuel Kit (Optional Extra) |
| 18 | 008/PV08 | Door Handle (Incl. Screw & Washer) ... | 41* | 010/EW51 | Ash Carrier (Optional Extra) |
| 19 | 002/PV02 | Primary Air Control | 42* | 010/PV35 | Boiler, Steel (Optional Extra) |
| 20 | 002/TW13 | Air Control Knob | 43* | 010/PV35/SS | Boiler, Stainless Steel (Opt'l Extra) |
| 21 | 004/EY48 | Airwash Slide | 44* | 004/DY22 | Riddler Blanking Disc |
| 22 | 012/BV20/A | Ashpan / Door Opening Tool | 45# | 010/PV34 | Add-on Shelf (Optional Extra) |

* These items are not shown on the drawing.
 # Please specify colour when ordering.
 Prices are shown in pounds sterling with vat at 20%
 They are correct at the date shown but may be subject to change without notice. E. & O.E
 These prices are subject to a carriage charge.

To obtain spare parts please contact your local stockist giving Model, Part No. and Description. In case of difficulty contact the manufacturer at the address shown.
 This drawing is for identification purposes only.