

THE
COLLECTION

by Michael Miller

25

YEAR GUARANTEE



LEADING BY DESIGN

THE COLLECTION

by Michael Miller

Beauty, warmth, a work of art... discover The Collection



When I imagine my ideal home, I imagine the perfect combination of form and function. And right at the heart of my home, a fire that impresses me with its looks, its innovation and its energy efficiency.

A fire is never just a fire. It's a statement of style that brings a home to life. So, we've crafted this stunning collection of unique gas fires – each of them created to offer you the highest quality and superb energy efficiency. They look beautiful; they work beautifully.

I'm proud of The Collection, and I have absolute confidence in the quality, reliability and durability – so much confidence, in fact, that I offer a full 25 year guarantee.

You'll find more details about our guarantee in this brochure, along with all the inspiration and information you need. I hope you enjoy choosing your new fire.

A handwritten signature in black ink that reads "Michael Miller". The signature is written in a cursive style.





Contents

- 5 Introduction & 25 year guarantee
- 6 High efficiency gas fires
- 7 Product testing and certification

THE COLLECTION

- | | |
|--|---|
| 8 Da Vinci Illumia MD Suites | 32 Avignon Eden Elite Suite & Slimline BF Suite |
| 10 Da Vinci Illumia Suites | |
| 12 Da Vinci Illumia Slimline BF Suite | 34 Parada Elite Illumia Suite & Slimline BF Suite |
| 14 Boticelli Illumia Slimline BF Suite | |
| 16 Aleesia Illumia Suite | 36 Atina HE |
| 18 Asencio | 38 Parada Illumia Suite |
| 20 Asencio Suite | 40 Glimpse |
| 22 Celena & Slimline BF | 42 Glimpse Duplex |
| 24 Boticelli Celena Suites & Slimline BF Suite | 44 Glimpse Triplex |
| 26 Angelo Celena Suite | 46 Luxe |
| 28 Pablo Celena Suite | 48 Carmelo HE |
| 30 Eden Elite & Slimline BF | 50 Eden HE |
| | 52 Passion HE Suite |
| | 54 Passion HE & Accessories |

- | | |
|-----------------------|--------------------------------|
| 56 Fire Dimensions | 61 Suite Dimensions |
| 60 False Chimney Kits | 67 Balanced Flue Installations |

ONLINE VIDEO

Wherever you see this symbol, use the QR code scanner app on your smartphone or mobile device to watch a short video of this fire.

Style and efficiency... crafted in Britain

Turn the pages of this brochure, and you'll see stunning fires with the power to transform a room - fabulous open-sided models, sleek 'wall inset' designs and easy-to-install fires that don't require a chimney.

Each of our models starts from a design concept nurtured by our research and development team. Before we even start to manufacture, the model is assessed and approved by leading independent organisations. Each fire is then made with the utmost care in our state-of-the-art development and manufacturing site here in the UK. And only when a fire has been rigorously checked by our quality control department does it leave our hands.

Choose a fire from The Collection, and you can rest assured the beauty is more than skin-deep. Behind the sleek glass and warming flames lie technological innovation and dedicated craftsmanship, backed by a 25 year guarantee.



Every gas fire in The Collection carries a 25 year Comprehensive Guarantee† providing you with reassurance and peace of mind for many years to come.

This means that we will guarantee your fire for 25 years against manufacturing and material defects, including parts and labour, subject to our 'Conditions of guarantee' including annual service and annual replacement of the oxy-pilot/ thermocouple assembly.

We offer this guarantee, unlike any other gas fire manufacturer, as a sign of our commitment to the highest standards of build quality, safety and performance. In line with gas industry practice, we advise that all our gas fires are installed and serviced annually* by a Gas Safe Register engineer to ensure continued safe operation and optimum performance throughout the lifetime of the product.

† Applicable only to gas fire engines. Fire Surrounds and fascias carry a 12 month guarantee. * This is also a requirement of your 25 year Guarantee.



high efficiency

BFM Europe Ltd has always had a reputation as a manufacturer of some of the most efficient fires on the market. Now we are setting new industry standards with The Collection by Michael Miller range and providing exceptional heat output combined with lower running costs compared to standard gas fires.

All gas fires in this range feature a glass panel across the front of the fire which radiates the heat generated from the fuel bed directly into the room. The glass panel concentrates the radiant heat generated by the flame effect and projects it directly into the room to ensure that more heat is used to warm the room and less is lost through the chimney.

This radiant heat is combined with convected heat which is produced by cool air drawn into the fire through the heat exchanger and emitted as warm air through the gap above the canopy. This is what makes our gas fires some of the most efficient available.

Many of the fires found in this brochure have a balanced flue system, designed for those who want all the benefits of a gas fire but don't have a built in chimney or flue in their home. They work in much the same way as our conventional flue fires but come with their own flue terminal which is vented directly through an outside wall or via the roof of your home. Several of our balanced flue fires, including the Glimpse range, can be purchased with either a horizontal or vertical flue kit to give you more flexibility in the location of your fireplace.

More information about balanced flue kits can be found on pages 67-69.



Product Testing & Certification

All our gas fires are independently tested, approved and verified by the British Standards Institution (BSI) to meet the latest standards for performance, safety and efficiency.

The BSI is an independent organisation. They are not owned by the government, industry or shareholders, which means that they can be totally objective with regards testing and certification. This gives their assessments more authority than those of an organization that has a vested interest in promoting its members.

They have some of the most experienced and knowledgeable staff in the world and are recognised internationally for their technical expertise, quality services and in-depth knowledge of gas and electrical product testing and certification.

The wide-ranging capability of their testing facilities and the broad expertise and knowledge of their testing and certification staff ensures our products are rigorously tested with the utmost integrity.



ECODESIGN COMPLIANT

This logo signifies that the product is fully compliant with the Eco design directive Commission Regulation (EU) 2015/1188.



CRAFTED IN BRITAIN

Every gas fire in The Collection by Michael Miller range is developed and manufactured in Britain at our purpose built state-of-the-art facility in Staffordshire.



MM-44 INTEGRATED DUAL FLAME BURNER TECHNOLOGY

Da Vinci Illumia MD Suites

The Da Vinci Mid-depth Gas Fire is now available in three Limestone Illumia Suites, the Classically designed **Giuliano**, the **Da Vinci**, and the more contemporary **Monet**, all sure to be the centre of attention in any home. The fire provides highly realistic log ceramics, paired with the latest MM-44 Dual Burner Technology, delivering log burning flame integration set against a beautiful deep black reflective enamel interior, creating a stunning contrast finish.

These Suites are available as conventional flue models, suitable for installation into any standard brick chimney or pre-fabricated flue, with a maximum heat output of 6.8kW. Each surround features controllable inset decorative halogen lights, and the fire features include our multi-functional remote control system with thermostatic and timer functions. Non-reflective glass provides an exceptionally clear vision of this most natural and truly vibrant living flame gas fire.

SPECIFICATION

		CONVENTIONAL FLUE
		Natural Gas
Useful energy efficiency		71.9%
Energy efficiency class		E
Direct heat output		6.8kW
Flue		Brick Chimney or pre-fabricated flue
Control		Multifunctional Remote Control
Fire Model Number	Black Enamel	DDCLRBRN3
Surround Model Number	Da Vinci	B-163210
	Monet	B-1001448
	Giuliano	B-1011151



DA VINCI ILLUMIA MD SUITE
BLACK ENAMEL INTERIOR



MONET ILLUMIA MD SUITE
BLACK ENAMEL INTERIOR





PANORAMIC FLAME BURNER TECHNOLOGY

Da Vinci Illumia Suites

The Da Vinci Illumia Suites are available in a choice of three beautiful natural Limestone surround styles. Choose from the **Monet**, **Da Vinci** or **Distinction** to complement your room and décor.

Each Suite benefits from non-reflective glass which provides an exceptionally clear vision of the highly realistic log fuel effect and mesmerising flame pattern. With a maximum heat output of 5.6kW they radiate a luxurious and timeless quality and there is a choice of fire interior - black enamel or rustic brick effect.

These Suites are available as conventional flue models making them suitable for installation into any standard brick chimney or pre-fabricated flue. The surrounds feature decorative halogen lights and are operated using our multifunctional remote control system with thermostatic and timer functions.

SPECIFICATION

		CONVENTIONAL FLUE
		Natural Gas
Useful energy efficiency		82%
Energy efficiency class		D
Direct heat output		5.6kW
Flue		Brick Chimney or pre-fabricated flue
Control		Multifunctional Remote Control
Fire Model Number	Black Enamel	DDCLRBRN2
	Rustic Brick	DDCLBBRN2
Surround Model Number	Da Vinci	B-163210
	Monet	B-1001448
	Distinction	B-163190



DA VINCI ILLUMIA SUITE
BLACK ENAMEL INTERIOR



DISTINCTION ILLUMIA SUITE
RUSTIC BRICK EFFECT INTERIOR





ZIG-ZAG FLAME BURNER TECHNOLOGY

Da Vinci Illumia Slimline BF Suite

The stunning Da Vinci Limestone surround is now available in a Slimline Balanced Flue model. This highly efficient log effect fire can be easily installed in to most standard wall cavities and comes with a choice of glossy black enamel, cream vermiculite or rustic brick effect interiors.

A non-reflective glass front provides a flawless flame picture which can be enhanced using integrated down-lights.



BLACK ENAMEL INTERIOR



RUSTIC BRICK EFFECT INTERIOR

SPECIFICATION

		SLIMLINE BALANCED FLUE
		Natural Gas
Useful energy efficiency		87.2%
Energy efficiency class		C
Direct heat output		4.3kW
Flue		Horizontal
Control		Multifunctional Remote Control
Fire Model Number	Black Enamel	DSBLEBRN
	Rustic Brick	DSBLBBRN
	Cream Vermiculite	DSBLVTRN
Surround Model Number	Limestone	B-179310



Boticelli Illumia Slimline BF Suite

The Boticelli Slimline Balanced Flue Gas Fire Suites have been cleverly designed for easier installation in to most wall cavities without the need to build a false chimney breast to accommodate the depth of the engine. They also feature a non-reflective glass front panel which is virtually invisible to the naked eye. The fire surround is made from Portuguese Limestone and has integrated down-lights which are operated from the fires remote control handset.



RUSTIC BRICK EFFECT INTERIOR



CREAM VERMICULITE INTERIOR

SPECIFICATION

		SLIMLINE BALANCED FLUE
		Natural Gas
Useful energy efficiency		87.2%
Energy efficiency class		C
Direct heat output		4.3kW
Flue		Horizontal
Control		Multifunctional Remote Control
Fire Model Number	Black Enamel	DSBLEBRN
	Rustic Brick	DSBLBBRN
	Cream Vermiculite	DSBLVTRN
Surround Model Number	Limestone	B-179840



ZIG-ZAG FLAME BURNER TECHNOLOGY





PANORAMIC FLAME BURNER TECHNOLOGY

Aleesia Illumia Suite

The Aleesia Illumia features a classically styled Limestone surround with built in decorative halogen lights. This efficient landscape gas fire benefits from virtually invisible non-reflective glass, along with highly detailed ceramic logs.

Captivating flames flow throughout the fuel effect and enhance the interior lining creating reflection in the black enamel, or light and shadows in the cream vermiculite, or rustic brickwork.

It is operated by a multifunctional remote control system with thermostatic and timer functions allowing you to pre-set your desired room temperature and control when the fire turns on and off.

Available surround widths are 58 inches, or 54 inch to fit smaller rooms or a narrow chimney breast.



RUSTIC BRICK INTERIOR



CREAM VERMICULITE INTERIOR

SPECIFICATION

		CONVENTIONAL FLUE
		Natural Gas
Useful energy efficiency		74.8%
Energy efficiency class		E
Direct heat output		4.2kW
Flue		Brick Chimney or pre-fabricated flue
Control		Multifunctional Remote Control
Fire Model Number	Black Enamel	DDALBERN
	Cream Vermiculite	DDALVTRN
	Brick Effect	DDALBBRN
Surround Model Number	Limestone 54"	B-1005331
	Limestone 58"	B-1009068



Asencio

The Asencio gas fire has been designed to look beautiful and perform brilliantly. Accommodating tall flowing flames ascending from natural appearance logs, this fire provides a sensational fuel effect showcase for your living area. A thermostatic remote control system allows you to select the times you want the fire to automatically turn on or off with pre-set temperature functionality to select your desired heating comfort level.

Featuring non-reflective glass this highly efficient gas fire has a direct heat output of 4.0kW, and is available with a choice of interior liners in glossy black enamel, rustic brick effect, or cream vermiculite.

Installation is suitable in to most standard chimneys.



BLACK ENAMEL INTERIOR
BLACK NICKEL & CHROME FASCIA



BLACK ENAMEL INTERIOR
CHROME FASCIA



CREAM VERMICULITE INTERIOR
BLACK FASCIA

SPECIFICATION

		CONVENTIONAL FLUE
		Natural Gas
Useful energy efficiency		77.1%
Energy efficiency class		D
Direct heat output		4.0kW
Flue		Brick Chimney or pre-fabricated flue
Control		Fully Automatic Remote with Thermostatic Control
Model Number	Black Enamel	DDCLBERN2
	Rustic Brick	DDCLBSRN2
	Cream Vermiculite	DDCLVTRN2



PANORAMIC FLAME BURNER TECHNOLOGY



PANORAMIC FLAME BURNER TECHNOLOGY

Asencio Suite

To complement the highly stylish aesthetics and brilliant performance of the Asencio gas fire we have designed a beautiful Portuguese Limestone surround. A combination of straight lines and soft curves perfectly frames the large viewing proportions of the stunning log fuel effect, making this a very contemporary and luxurious gas fire suite combination.



RUSTIC BRICK INTERIOR



CREAM VERMICULITE INTERIOR

SPECIFICATION

		CONVENTIONAL FLUE
		Natural Gas
Useful energy efficiency		77.1%
Energy efficiency class		D
Direct heat output		4.0kW
Flue		Brick Chimney or pre-fabricated flue
Control		Fully Automatic Remote with Thermostatic Control
Fire Model Number	Black Enamel	DDCLBERN2
	Rustic Brick	DDCLBSRN2
	Cream Vermiculite	DDCLVTRN2
Surround Model Number	Limestone	B-1005971



CONVENTIONAL FLUE
 BLACK ENAMEL INTERIOR
 BLACK NICKEL & CHROME FASCIA



*SLIMLINE BALANCED FLUE FUEL EFFECT

Celena & Slimline BF

The Celena gas fire has been designed with perfect proportions to give you a large flame viewing area yet still enable installation in to most standard chimneys.

This highly efficient, non-reflective glass fronted fire has a direct heat output of 3.9kW. It is operated by a fully automatic remote control system which allows you to select the times you want the fires to automatically turn on and turn off and includes a thermostatic setting to allow you to pre-set your desired room temperature.

The **conventional flue** model features a raised chunky log fuel effect. The **slimline balanced flue** option features a slimmer log fuel effect. Operated by fully automatic remote-control, this system allows you to select the times you want the fires to automatically turn on and turn off, and includes a thermostatic setting to allow for desired pre-set room temperature.

***Slimline balanced flue** model requires a spacer when installing into a standard cavity wall.



SLIMLINE BALANCED FLUE
 BLACK ENAMEL INTERIOR
 CHROME FASCIA



CONVENTIONAL FLUE
 RUSTIC BRICK EFFECT INTERIOR
 BRASS FASCIA



CONVENTIONAL FLUE
 CREAM VERMICULITE INTERIOR
 BLACK FASCIA

SPECIFICATION

	CONVENTIONAL FLUE		SLIMLINE BALANCED FLUE
	Natural Gas	LPG	Natural Gas
Useful energy efficiency	79.3%	78.5%	90.5%
Energy efficiency class	D	D	B
Direct heat output	3.8kW	3.9kW	3.9kW
Flue	Brick Chimney or pre-fabricated flue		Horizontal
Control	Fully Automatic Remote with Thermostatic Control		
Model Number	Black Enamel	DPRLBERP2B	DCBLBERNB
	Rustic Brick	DPRLBBRN2B	DCBLBRRNB
	Cream Vermiculite	DPRLTVRN2B	DCBLTVRNB

*80mm Spacer 1184-1001079A



CONVENTIONAL FLUE



SLIMLINE BALANCED FLUE



CONVENTIONAL FLUE
LIMESTONE & BLACK GRANITE
BLACK ENAMEL INTERIOR



*SLIMLINE BALANCED FLUE FUEL EFFECT

Boticelli Celena Suite & Slimline BF

The Boticelli Celena suite is designed to perfectly complement homes with traditional or modern styling. Classical surround features include pilaster legs with plinths, rolled edge framed mantle, and hearth with step detail. Suite is available in all natural Limestone, or a popular combination of Limestone and Black Granite.

The Boticelli Surround is companioned with the perfectly proportioned Celena gas fire - highly efficient, non-reflective glass fronted fire with a direct heat output of 3.9kW.

The **conventional flue** model features a raised chunky log fuel effect. The **slimline balanced flue** option features a slimmer log fuel effect. Operated by fully automatic remote-control, this system allows you to select the times you want the fires to automatically turn on and turn off, and includes a thermostatic setting to allow for desired pre-set room temperature.



CONVENTIONAL FLUE
LIMESTONE
RUSTIC BRICK EFFECT INTERIOR



SLIMLINE BALANCED FLUE
LIMESTONE
CREAM VERMICULITE INTERIOR

SPECIFICATION

	CONVENTIONAL FLUE		SLIMLINE BALANCED FLUE	
	Natural Gas	LPG	Natural Gas	
Useful energy efficiency	79.6%	78.5%	90.5%	
Energy efficiency class	D	D	B	
Direct heat output	3.8kW	3.9kW	3.9kW	
Flue	Brick Chimney or pre-fabricated flue		Horizontal	
Control	Fully Automatic Remote with Thermostatic Control			
Fire Model Number	Black Enamel	DPRLBERN2B	DPRLBERP2B	DCBLBERNB
	Rustic Brick	DPRLBBRN2B	DPRLBBRP2B	DCBLBBRNB
	Cream Vermiculite	DPRLTVRN2B	DPRLTVRP2B	DCBLTVRNB
Surround Model Number	Limestone	B-1009629		B-185720
	Limestone & Black Granite	B-1010467		-



CONVENTIONAL FLUE



BALANCED FLUE





PANORAMIC FLAME BURNER TECHNOLOGY

Angelo Celena Suite

The Angelo fire surround suite comes in top quality Portuguese Limestone and features a combination of straight lines and soft curves plus an attractive step hearth design for a contemporary look. There is also a stunning combined Portuguese Limestone and Black Granite option to suit those who desire a sensational contrasting finish.

Including the high performance Celena, this non-reflective glass fronted gas fire features a beautiful log fuel effect with an incredible 79.6% energy efficiency. Operated by fully automatic remote-control, this system allows you to select the times you want the fires to automatically turn on and turn off, and includes a thermostatic setting to allow for desired pre-set room temperature.



LIMESTONE
RUSTIC BRICK EFFECT INTERIOR



LIMESTONE
CREAM VERMICULITE INTERIOR

SPECIFICATION

		CONVENTIONAL FLUE	
		Natural Gas	LPG
Useful energy efficiency		79.6%	78.5%
Energy efficiency class		D	D
Direct heat output		3.8kW	3.9kW
Flue		Brick Chimney or pre-fabricated flue	
Control		Fully Automatic Remote with Thermostatic Control	
Fire Model Number	Black Enamel	DPRLBERN2B	DPRLBERP2B
	Rustic Brick	DPRLBBRN2B	DPRLBBRP2B
	Cream Vermiculite	DPRLTVRN2B	DPRLTVRP2B
Surround Model Number	Limestone	B-1010347	
	Limestone & Black Granite	B-1010829	





PANORAMIC FLAME BURNER TECHNOLOGY

Pablo Celena Suite

For simplistic fireplace aesthetics, the Pablo Celena suite is the perfect choice. The sleek, minimalist styling and clean straight lines deliver impact and noticeable prominence. Made from the finest quality Portuguese Limestone this surround perfectly frames the high performance Celena gas fire.

Gas fire features include non-reflective glass, a beautiful log fuel effect with an incredible 79.6% energy efficiency. Operated by fully automatic remote-control, this system allows you to select the times you want the fires to automatically turn on and turn off, and includes a thermostatic setting to allow for desired pre-set room temperature.



RUSTIC BRICK EFFECT INTERIOR



CREAM VERMICULITE INTERIOR

SPECIFICATION

		CONVENTIONAL FLUE	
		Natural Gas	LPG
Useful energy efficiency		79.3%	78.5%
Energy efficiency class		D	D
Direct heat output		3.8kW	3.9kW
Flue	Brick Chimney or pre-fabricated flue		
Control	Fully Automatic Remote with Thermostatic Control		
Fire Model Number	Black Enamel	DPRLBERNZB	DPRLBERP2B
	Rustic Brick	DPRLBBRNZB	DPRLBBRP2B
	Cream Vermiculite	DPRLTVRNZB	DPRLTVRP2B
Surround Model Number	Limestone	B-1009968	



Eden Elite & Slimline BF

The Eden Elite is our slimmest wall inset gas fire with up to 85.6% energy efficiency and an impressive 4.9kW heat output. It is operated by a thermostatic remote control system to perfectly control your comfort.

The conventional flue model is designed to be easily installed into almost any chimney without compromising on the stunning log fuel effect and flame aesthetics. It comes in a choice of cream vermiculite or glossy black enamel back panel.

There is also a slimline balanced flue model for homes without a chimney or flue which is only available with a glossy black enamel back panel.

The Eden Elite is a non-reflective glass fronted fire that can be fitted with or without a fascia. Fascia options are available in brushed satin silver or black semi satin finish.



SLIMLINE BALANCED FLUE
BLACK ENAMEL INTERIOR
BRUSHED SATIN SILVER FASCIA



CONVENTIONAL FLUE
TILED EFFECT CREAM VERMICULITE INTERIOR
BLACK FASCIA



SPECIFICATION

	CONVENTIONAL FLUE		SLIMLINE BALANCED FLUE	
	Natural Gas	LPG	Natural Gas	
Useful energy efficiency	78.6%	69%	85.6%	
Energy efficiency class	D	E	C	
Direct heat output	4.9kW	4.3kW	3.7kW	
Flue	Brick Chimney or pre-fabricated flue		Horizontal	
Control	Fully Automatic Remote with Thermostatic Control			
Model Number	Black Enamel	DEELELRNB	DEELELRPB	DBELEBRNB
	Cream Vermiculite	DEELVRNB	-	-



Avignon Eden Elite Suite & Slimline BF 54 & 58

This stunning fireplace suite comprises the classically styled Avignon surround in 54" or 58" wide versions, is made from high quality natural Portuguese Limestone and includes the fabulous Eden Elite gas fire.

The slimline balanced flue option is suitable for installation into homes without a brick chimney or pre-fabricated flue and has an impressive energy efficiency of 85.6% and 3.7kW heat output. It features a glossy black enamel back panel.

The conventional flue option comes with a choice of glossy black enamel or cream vermiculite back panels and features a stunningly realistic raised log fuel effect. It has an energy efficiency of 78.6% and impressive heat output of 4.9kW.

Both models benefit from non-reflective glass and are operated by a thermostatic remote control system so you can maintain a comfortable room temperature at the touch of a button.



SLIMLINE BALANCED FLUE
54" BLACK ENAMEL INTERIOR



SPECIFICATION

	CONVENTIONAL FLUE		SLIMLINE BALANCED FLUE	
	Natural Gas	LPG	Natural Gas	
Useful energy efficiency	78.6%	69%	85.6%	
Energy efficiency class	D	E	C	
Direct heat output	4.9kW	4.3kW	3.7kW	
Flue	Brick Chimney or pre-fabricated flue		Horizontal	
Control	Fully Automatic Remote with Thermostatic Control			
Model Number	Black Enamel 54	DEEELRN890	DEEELRP890	DBELEBRN722
	Cream Vermiculite 54	DEELVLRN890	-	-
	Black Enamel 58	DEEELRN910	DEEELRP910	DBELEBRN779
	Cream Vermiculite 58	DEELVLRN910	-	-

CONVENTIONAL FLUE



SLIMLINE BALANCED FLUE





Parada Elite Illumia Suite & Slimline BF 54L & 58L

The Parada Elite suite features a stunning Portuguese Limestone surround and a contemporary non-reflective glass fronted gas fire.

The fire surround is complemented by integrated down lights and is available in both 54" and 58" wide versions.

The conventional flue fire comes with a choice of glossy black enamel or cream vermiculite interior. The slimline balanced flue fire is available with a glossy black enamel interior. Both fires feature a stunningly realistic log fuel effect and multifunctional remote control operation.



CONVENTIONAL FLUE
54L CREAM VERMICULITE INTERIOR

SPECIFICATION

		CONVENTIONAL FLUE	SLIMLINE BALANCED FLUE
		Natural Gas	
Useful energy efficiency		78.6%	85.6%
Energy efficiency class		D	C
Direct heat output		4.9kW	3.7kW
Flue		Brick Chimney or pre-fabricated flue	Horizontal
Control		Multifunctional Remote Control	
Fire Model Number	Black Enamel	DPELELRN	DBELEBRN
	Cream Vermiculite	DPELVLRN	-
Surround Model Number	Limestone 54"	B-185740	
	Limestone 58"	B-185750	





Atina HE

For moderate sized living spaces the petite proportions of the Atina HE will accommodate beautifully. This wall inset gas fire can be installed with a choice of two fuel effects, simple white stones or a natural arrangement of realistically detailed logs. Bright flames really showcase this fire and provide stunning reflection, high contrast and repeated depth sensationally displayed against the black enamel interior. This fire can be finished with a choice of modern fascia, or if a minimalistic look in your home is preferred you can opt to have a trimless installation.

The Atina HE features a heat output of 3.3kW and is controlled by a fully sequential remote control system* with thermostatic operation so you can always maintain a comfortable room temperature that suits you.

*A 240V 3amp mains electricity supply is required. Please refer to installation manual.



WHITE STONES
TRIMLESS



LOGS
WIDE ANTIQUE BRASS FASCIA

SPECIFICATION

		CONVENTIONAL FLUE
		Natural Gas
Useful energy efficiency		70.8%
Energy efficiency class		F
Direct heat output		3.3kW
Flue		Brick Chimney or pre-fabricated flue
Control		Fully Automatic Remote with Thermostatic Control
Model Number	Log/White Stones	DHAL00RN2B



Parada Illumia 54S Suite

The Parada Illumia 54S is a small fireplace which makes a big impact. Available in Limestone the surround has been characteristically designed to look at home in both modern and traditional settings.

This high efficiency, glass fronted gas fire features a choice of two fuel effects, simple white stones or a natural arrangement of realistically detailed logs. The glossy black enamel interior and mesmerising flames further enhance the beauty of this product creating reflecting contrast with added depth perception. The fire is operated by a multifunction remote control system with thermostatic and timer functions which allow you to pre-set your desired room temperature and the time that the fire turns on and turns off. The remote handset is also used to operate decorative halogen lighting which is built in to the stone surround.

The smaller proportions of the Parada Illumia 54S ensures it will fit most standard chimney breasts.



WHITE STONES FUEL EFFECT

SPECIFICATION

		CONVENTIONAL FLUE
		Natural Gas
Useful energy efficiency		70.8%
Energy efficiency class		F
Direct heat output		3.3kW
Flue		Brick Chimney or pre-fabricated flue
Control		Multifunctional Remote Control
Fire Model Number		DHAL00RN2
Surround Model Number	Limestone	B-163240



Glimpse

The ideal fireplace for a modern open plan home, the Glimpse is a magnificent centrepiece for the heart of your home or a beautiful, functioning room divider.

This two-sided glass fire allows you to separate a large living area to create different functional spaces, such as, a dining area and a lounge area, whilst still maintaining an open plan feel as you can see straight through the fire to the other part of the room.

The Glimpse features a zigzag burner which creates a stunning dancing flame picture which is further enhanced by the log fuel effect and dazzling glowing embers. It even comes with built in, fully dimmable halogen lighting which can be used with or without the fire being lit.

This balanced flue gas fire can be purchased with a choice of horizontal or vertical flue kit so can be installed almost anywhere in the room. Installation of the appliance is made easier and more flexible with two flue outlet positions, integrated adjustable legs and the option to purchase a false chimney kit consisting of metal studwork which can be clad with the fitters' choice of high temperature board.* (see page 60 for further details).

SPECIFICATION

	BALANCED FLUE
	Natural Gas
Useful energy efficiency	76.6%
Energy efficiency class	E
Direct heat output	6.8KW
Flue	Horizontal or Vertical
Control	Multifunctional Remote Control
Model Number	DCHLSTRN

*Not supplied by BFM



ZIG-ZAG FLAME BURNER TECHNOLOGY





ZIG-ZAG FLAME BURNER TECHNOLOGY

Glimpse Duplex

The Glimpse Duplex has been designed to create not only a highly efficient secondary heat source but also a fascinating visual focal point. Showcasing a two sided view of an enticing log effect fire, the Duplex is ideal for installation into the corner of a room.

This imposing gas fire offers a Direct heat output of 6.8kW and comes with a host of stylish features including a glossy black enamel interior, a highly realistic log fuel effect and fully dimmable halogen lighting which can be used with or without the fire being lit. The Duplex is operated by a chic remote control handset with thermostatic function which allows you to pre-set your desired temperature level so that your room never gets too warm.

This balanced flue gas fireplace can be purchased with a choice of horizontal or vertical flue kit and with both left and right side versions of the fire available it can be installed almost anywhere in your room.

Installation of the appliance is made easier and more flexible with two flue outlet positions, integrated adjustable legs and the option to purchase a false chimney kit consisting of metal studwork which can be clad with the fitters' choice of high temperature board.* (see page 60 for further details).

SPECIFICATION

	BALANCED FLUE
	Natural Gas
Useful energy efficiency	76.6%
Energy efficiency class	E
Direct heat output	6.8kW
Flue	Horizontal and Vertical
Control	Multifunctional Remote Control
Model Number	DCHLCRN (LH) DCHLCRRN (RH)

*Not supplied by BFM



Glimpse Triplex

The Glimpse Triplex is the epitome of luxury featuring a three sided view of mesmerizing dancing flames across a log fuel effect, highlighted by glossy black enamel interior.

This balanced flue gas fireplace can be purchased with a choice of horizontal or vertical flue kit so can be installed almost anywhere in the room making it an ideal room divider in a large open plan living space.

The Glimpse Triplex has a direct heat output of 6.8kW and comes with fully dimmable halogen lighting which can be used with or without the fire being lit. All this is operated by a stylish remote control handset with thermostatic function which allows you to pre-set your desired temperature level so that your room never gets too warm.

Installation of the appliance is made easier and more flexible with two flue outlet positions, integrated adjustable legs and the option to purchase a false chimney kit consisting of metal studwork which can be clad with the fitters' choice of high temperature board.* (see page 60 for further details).

SPECIFICATION

	BALANCED FLUE
	Natural Gas
Useful energy efficiency	76.6%
Energy efficiency class	E
Direct heat output	6.8kW
Flue	Horizontal or Vertical
Control	Multifunctional Remote Control
Model Number	DCHL3SRN

*Not supplied by BFM



ZIG-ZAG FLAME BURNER TECHNOLOGY





ZIG-ZAG FLAME BURNER TECHNOLOGY

Luxe

A combination of elegance and performance makes the Luxe an extremely desirable gas fireplace. Its perfectly proportioned glass frame provides a three-side view of one of the most stunning flame effects available today.

The Luxe features a driftwood fuel effect with glowing embers and a glossy black enamel back panel which reflects its enchanting flames, and is operated by a stylish remote control handset with a thermostatic function which allows you to pre-set your desired temperature level so that you are never too cold or too warm.

This balanced flue gas fireplace can be purchased with a choice of horizontal or vertical flue kit so can be installed almost anywhere in your home and offers an exceptional 76.4% net energy efficiency with a heat output of 6.7kW.

Installation of the appliance is made easy with integrated adjustable legs and the option to purchase a false chimney kit consisting of metal studwork which can be clad with the fitters' choice of high temperature board*. (see page 60 for further details).

SPECIFICATION

	BALANCED FLUE
	Natural Gas
Useful energy efficiency	76.4%
Energy efficiency class	E
Direct heat output	6.7kW
Flue	Horizontal or Vertical
Control	Multifunctional Remote Control
Model Number	DCHLLXRN

*Not supplied by BFM





Carmelo HE

With its large size and enchanting flame picture the Carmelo HE hole in the wall balanced flue gas fire is certainly a show-stopper and it provides exceptional performance too.

If you're looking for luxury combined with exceptional heat output then the Carmelo HE is the ideal gas fire for you. With a viewing area measuring 1145mm along with an enchanting flame picture reflecting in its glossy black enamel interior, this hole in the wall balanced flue gas fire has a heat output of 6.4kW and 75.4% Useful energy efficiency, providing exceptional performance too.

What's more this fire can be installed almost anywhere in the home since it uses a balanced flue system with a choice of horizontal flue, vertical flue or chimney conversion flue kits available to choose from. Both log and white stone fuel effects are supplied with every fire.



SPECIFICATION

	BALANCED FLUE	
	Natural Gas	LPG
Useful energy efficiency	75.4%	
Energy efficiency class	E	
Direct heat output	6.4kW	6.6kW
Flue	Horizontal and Vertical Kits and Chimney Conversion Kit available	
Control	Fully Automatic Remote with Thermostatic Control	
Model Number	DCML00RN2	DCML00RP2



Eden HE

This glass fronted landscape hole-in-the-wall fire has an incredible 83% energy efficiency and up to 4.8kW heat output. It features an enchanting flame picture and comes with a choice of log or white stone fuel effect.

The Eden HE has been designed as a trimless fire for a very minimalist appearance, or team with an optional designer fascia for a more prominent centrepiece.

*A 240V 3amp mains electricity supply is required to power the remote control system. Please refer to installation manual.



WHITE STONES
CHROME SLIMLINE FASCIA
ALSO AVAILABLE IN ANTIQUE BRASS



LOGS
DELUXE ANTIQUE BRASS FASCIA

SPECIFICATION

	CONVENTIONAL FLUE
	Natural Gas
Useful energy efficiency	83%
Energy efficiency class	D
Direct heat output	5.2kW
Flue	Brick Chimney or pre-fabricated Flue
Control	Fully Automatic Remote with Thermostatic Control
Model Number	DHVG00RN2B



Passion HE Suite

The Passion HE Suite combines a luxury hearth inset gas fire with a natural finished surround, available in a choice of Portuguese Limestone, or a popular choice of Limestone and black Granite. Designed with clean lines and modern bevels this suite is sure to make an impression in any home.

The fire has a large window for wide-angle viewing, and comes with superior flame vision non-reflective glass. For maximum comfort and control we have fitted a fully automatic thermostatic remote control system, enabling you to sit back, relax and enjoy the warmth, all at the touch of a button. Highly detailed ceramics provide an authentic appearance of a natural burning log fire, whilst the deep glossy black enamelled interior captures the reflection of beautiful tall flames.

The Trim and Fret option is for those who enjoy a more traditional fire setting, for which we have combined the highly stylish Signature Trim, with the exclusive Bauhaus 151 Fret.

The one-piece Fascia option provides a more contemporary choice and comes with the uniquely designed MM Signature Fascia. Additional black enamelling is added to the exterior of the fire creating even more luxury aesthetics between the fascia and the flames.

Three popular colour finishes are available, Black Nickel & Black, Chrome & Black, Brass & Black.

SPECIFICATION

		CONVENTIONAL FLUE		
		Natural Gas		
Control		Remote		
Useful energy efficiency		82.6%		
Energy efficiency class		C		
Direct heat output		4.0kW		
Flue		Brick Chimney or pre-fabricated flue		
Suite Model Number	Limestone & Black Granite	MM Signature Fascia		
		Black Nickel	Chrome	Brass
		DAGFBN	DAGFCH	DAGFBR
		Signature Trim & 151 Fret		
		DAGTBN	DAGTCH	DAGTBR
Suite Model Number	Limestone	MM Signature Fascia		
		DALFBN	DALFCH	DALFBR
		Signature Trim & 151 Fret		
		DALTBN	DALTCH	DALTBR



LIMESTONE
CHROME & BLACK SIGNATURE TRIM & BAUHAUS 151 FRET



LIMESTONE & BLACK GRANITE
BRASS & BLACK SIGNATURE TRIM & BAUHAUS 151 FRET



Passion HE & Accessories

Passion HE is a market leading gas fire with the authentic look and feel of a real log fire, combining efficiency and performance with unique style and aesthetics.

Designed with large frame wide-angle viewing, this fire displays a lively fuel effect with natural ascending tall flames that reflect in the deep glossy black enamel interior.

For optimum aesthetics this fire can be supplied with non-reflective glass that provides an astonishingly crystal-clear view of the fuel bed. For comfort and performance choose our fully automatic remote-control option.



Ultimo trim in Gold & Black
Bauhaus 151 fret in Gold

SPECIFICATION

		CONVENTIONAL FLUE		
		Natural Gas		LPG
Control		Manual	Remote	Remote
Useful energy efficiency		82.3%	82.6%	79.7%
Energy efficiency class		D	C	D
Direct heat output		4.0kW		3.6kW
Flue		Brick Chimney or pre-fabricated flue		
Model Number	Standard Glass	DLBL00MNB	DLBL00RNB	-
	Non Reflect Glass	-	DLBLNRRNB	DLBLNRRPB



Trims

STANDARD

Quality steel trims in a choice of four colours with a plated or painted finish.



Brass

Chrome

Satin Silver

Black

SIGNATURE

The Signature is a quality steel fabricated trim in a range of metallic and paint finishes.



Brass & Black

Chrome & Black

Satin Silver & Chrome

Black Nickel & Chrome

Black Nickel & Black

ULTIMO

The Ultimo is a cast iron trim with a black painted and optional colour plated finish.



Gold & Black

Chrome & Black

Black Nickel & Black

Frets

BAUHAUS 18"



Gold

Chrome

Satin Silver



Black Nickel

Black

BAUHAUS 151



Gold

Silver

Black Nickel

Fascias

ULTIMO 007

For a contemporary style we offer the Ultimo 007 one-piece fascia in three metallic colours.



Gold & Black

Chrome & Black

Black Nickel & Black

MM SIGNATURE

The MM Signature is a one-piece fabricated steel fascia available in five colour choices.



Brass & Black

Chrome & Black

Satin Silver & Chrome

Black Nickel & Chrome

Black Nickel & Black

EMBRACE

The Embrace is a one-piece cast iron fascia in a combination of black painted with optional colour plated finish.



Gold & Black

Chrome & Black

Black Nickel & Black

ARCADIA

The Arcadia is a one-piece cast iron fascia in a combination of black painted with optional colour plated finish.



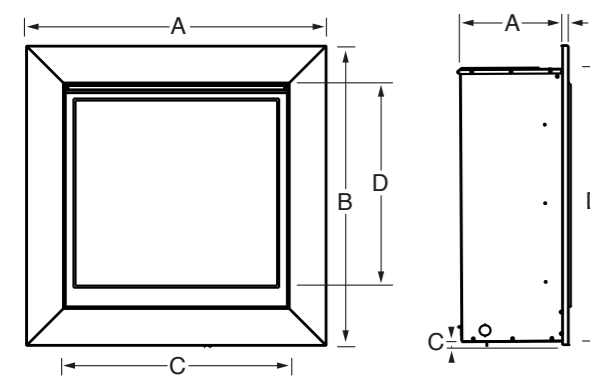
Black & Gold

Black & Chrome

Fire Dimensions

ASENCIO

Front view Side view

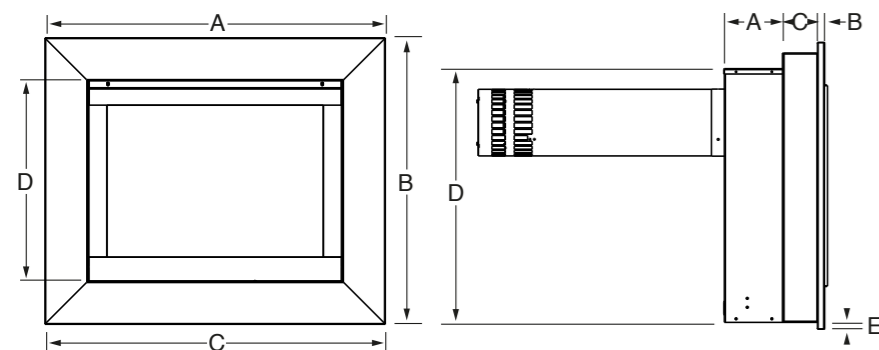


Top view

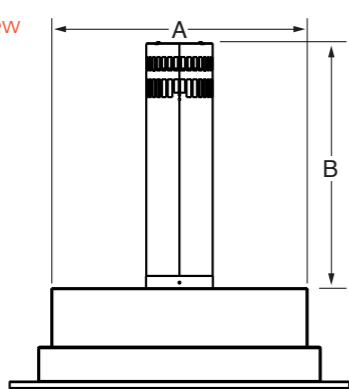
Front view	Side view
A 762mm	A 259mm
B 762mm	B 16mm
C 572mm	C 9mm
D 572mm	D 698mm
Top view	
A 574mm	

CELENA SLIMLINE BALANCED FLUE

Front view Side view

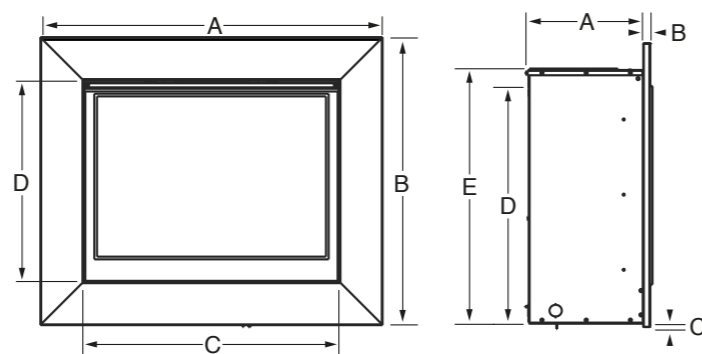


Front view	Side view	Top view
A 762mm	A 130mm	A
B 641mm	B 16mm	B
C 572mm	C 77mm	
D 451mm	D 568mm	
Top view	E 15mm	
A 575mm		
B 550mm		



CELENA

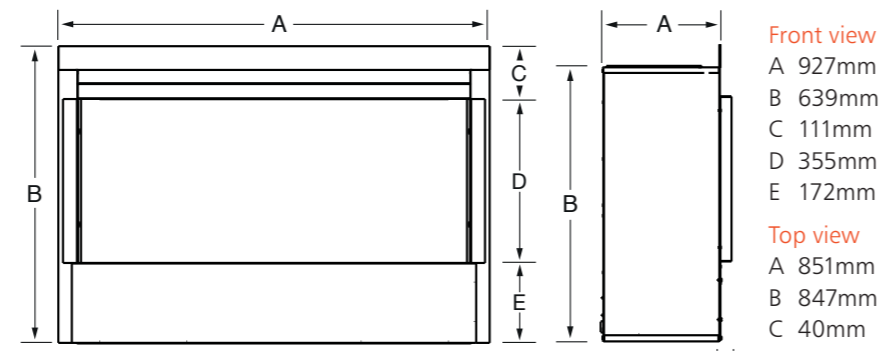
Front view Side view



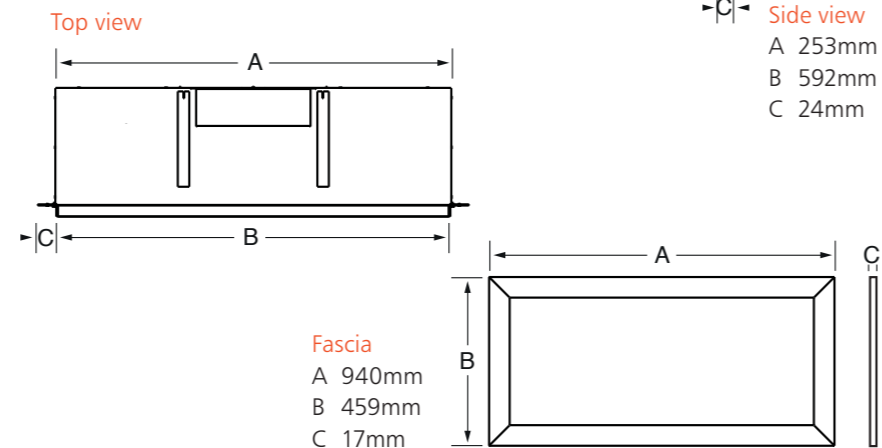
Front view	Side view
A 762mm	A 259mm
B 641mm	B 16mm
C 572mm	C 8mm
D 451mm	D 534mm
Top view	E 577mm
A 574mm	

EDEN ELITE

Front view Side view



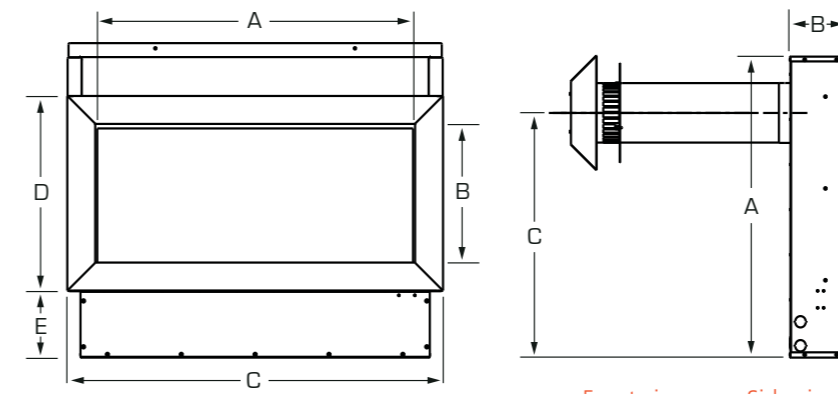
Front view	Side view
A 927mm	A 253mm
B 639mm	B 592mm
C 111mm	C 24mm
D 355mm	
E 172mm	
Top view	
A 851mm	
B 847mm	
C 40mm	



Fire Dimensions

EDEN ELITE SLIMLINE BALANCED FLUE

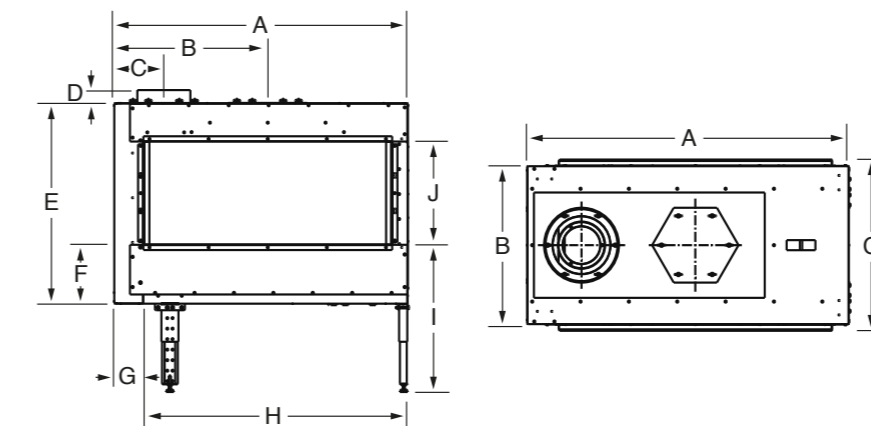
Front view Side view



Front view	Side view
A 801mm	A 754mm
B 347mm	B 141mm
C 941mm	C 613mm
D 487mm	
E 168mm	
Top view	
A 875mm	
B 230mm min	
540mm max	
C 16mm	
D 16mm	

GLIMPSE

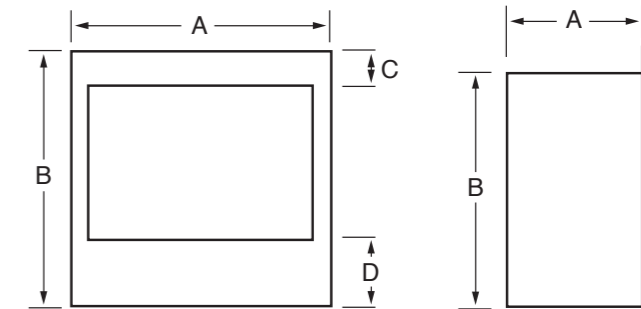
Front view Top view



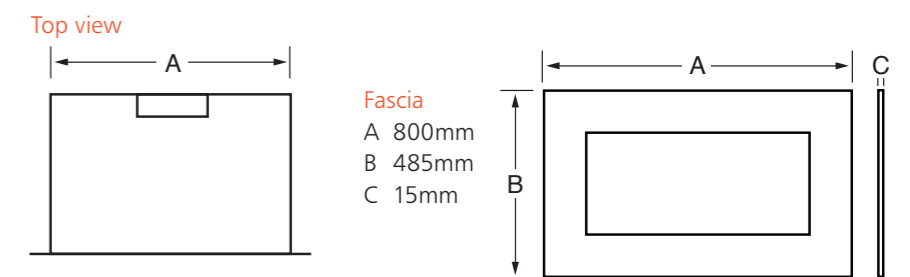
Front view	Top view
A 1118mm	A 1118mm
B 584mm	B 551mm
C 189mm	C 595mm
D 50mm	
E 763mm	
F 223mm	
G 109mm	
H 949mm	
I 279-559mm	
J 395mm	

ATINA HE

Front view Side view



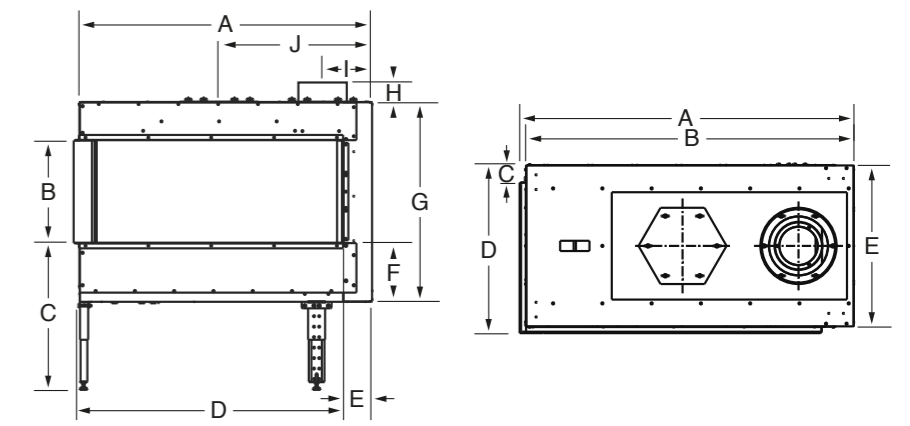
Front view
A 682mm
B 588mm
C 110mm
D 172mm
Top view
A 604mm
Side view
A 325 [†] mm
B 540mm



[†]This dimension is related to Atina HE CF only and is 370mm on Atina HE BF

GLIMPSE DUPLEX - LEFT ASPECT

Front view Top view

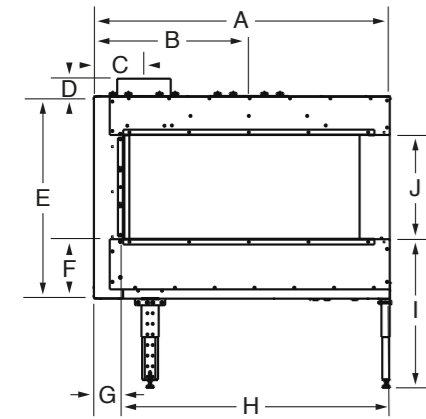


Front view	Top view	RIGHT ASPECT
A 1118mm	A 1140mm	Reverse image
B 395mm	B 1119mm	for Right aspect,
C 279-559mm	C 59mm	dimensions are
D 1009mm	D 573mm	the same. See
E 109mm	E 551mm	installation manual
F 223mm		for more details.
G 763mm		
H 50mm		
I 189mm		
J 584mm		

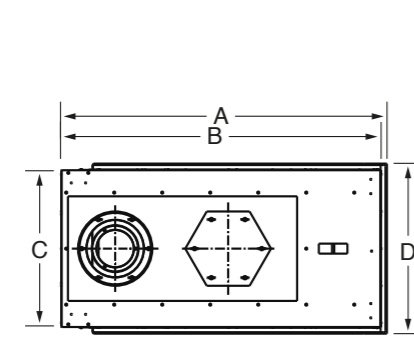
Fire Dimensions

GLIMPSE TRIPLEX

Front view



Top view



Front view

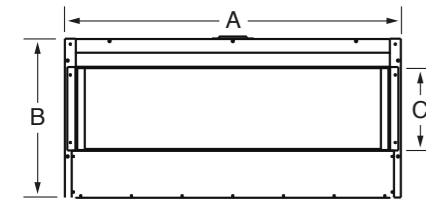
- A 1118mm
- B 584mm
- C 189mm
- D 50mm
- E 763mm
- F 223mm
- G 109mm
- H 1009mm
- I 279-559mm
- J 395mm

Top view

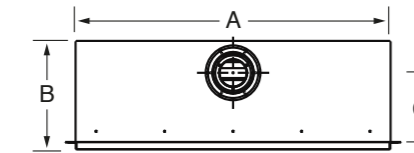
- A 1140mm
- B 1119mm
- C 551mm
- D 595mm

CARMELO

Front view



Top view



Front view

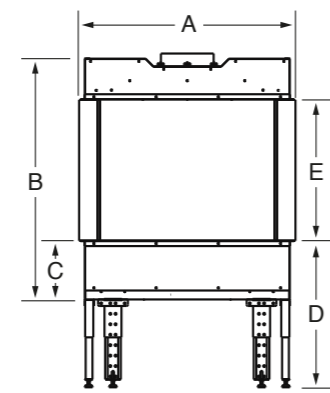
- A 1227mm
- B 580mm
- C 307mm

Top view

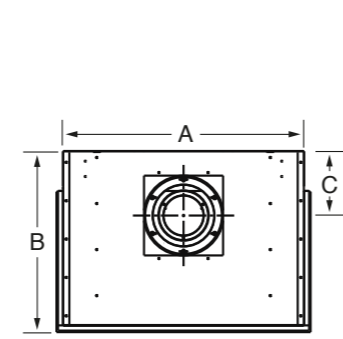
- A 1150mm
- B 369mm
- C 252mm

LUXE

Front view



Top view



Front view

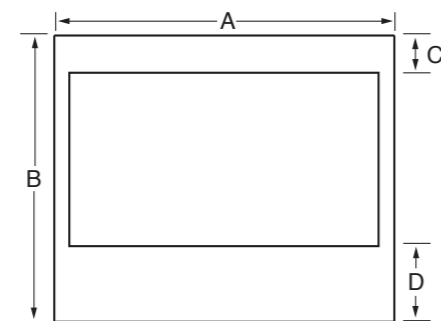
- A 828mm
- B 922mm
- C 227mm
- D 279-559mm
- E 535mm

Top view

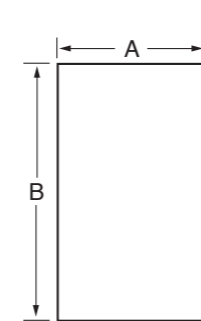
- A 784mm
- B 585mm
- C 222mm

EDEN HE

Front view



Side view

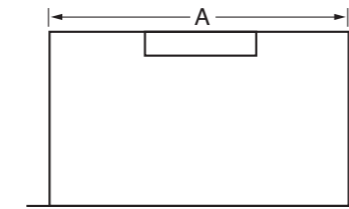


- Front view
- A 870mm
 - B 595mm
 - C 111mm
 - D 175mm

- Top view
- A 795mm

- Side view
- A 325mm
 - B 540mm

Top view

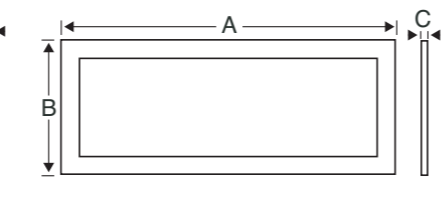
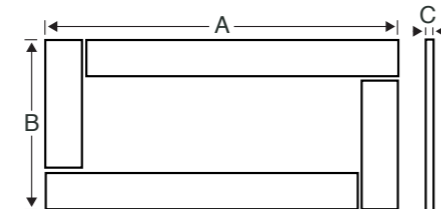


Deluxe fascia

- A 950mm
- B 456mm
- C 15mm

Slimline fascia

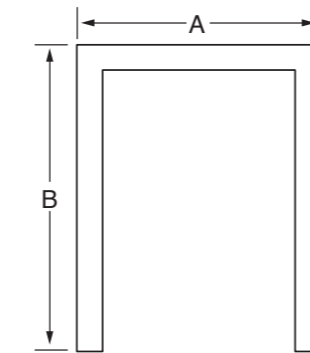
- A 878mm
- B 376mm
- C 15mm



Fire Dimensions

PASSION HE

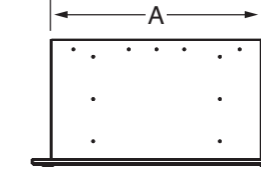
Front view



Side view



Top view



Front view

- A 497mm
- B 498mm

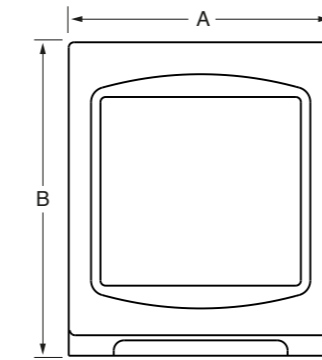
Side view

- A 253mm
- B 547mm

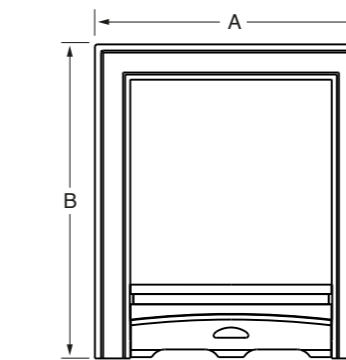
Top view

- A 400mm

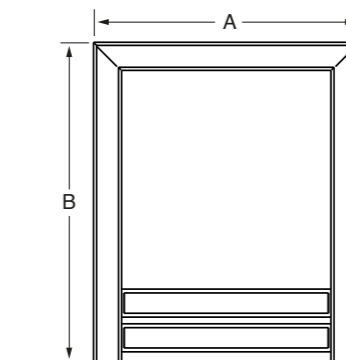
Fascias



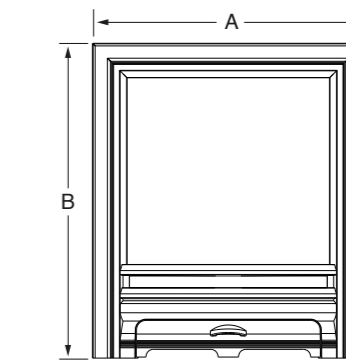
- Provence*
- A 532mm
 - B 614mm



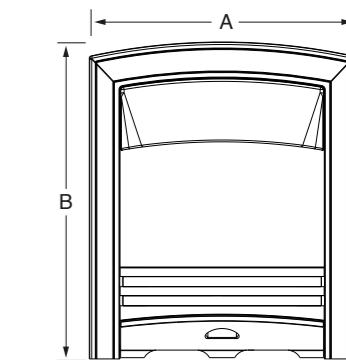
- Ultimo 007
- A 516mm
 - B 613mm



- MM Signature
- A 497mm
 - B 598mm



- Arcadia
- A 528mm
 - B 612mm



- Embrace
- A 529mm
 - B 631mm

Dimensions A & B refer to Standard trim only *Remote control option only

False Chimney Kits for Glimpse Fires

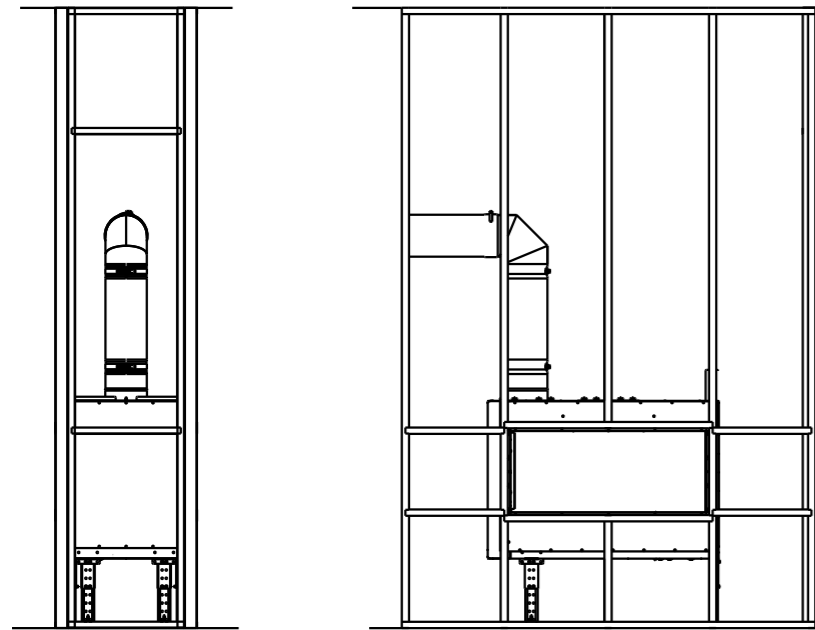
False chimney kits are available at an additional cost to simplify the installation of the Glimpse range of gas fires, including Glimpse, Glimpse Duplex, Glimpse Triplex and Luxe. The false chimney kit consists of the metal studwork and screws required to create the false chimney structure. This can then be clad with the fitters' choice of high temperature board*.

We recommend a non combustible board such as Promat Supalux in a double 6mm thickness, giving an overall thickness of 12mm. Promat Supalux board is available from CCF Manchester.

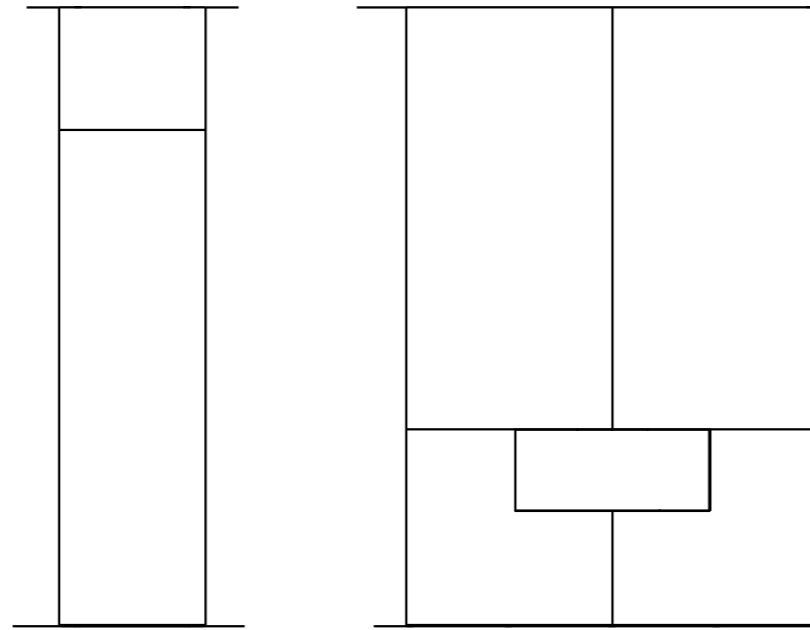
* not supplied by BFM



GLIMPSE FALSE CHIMNEY STUDWORK

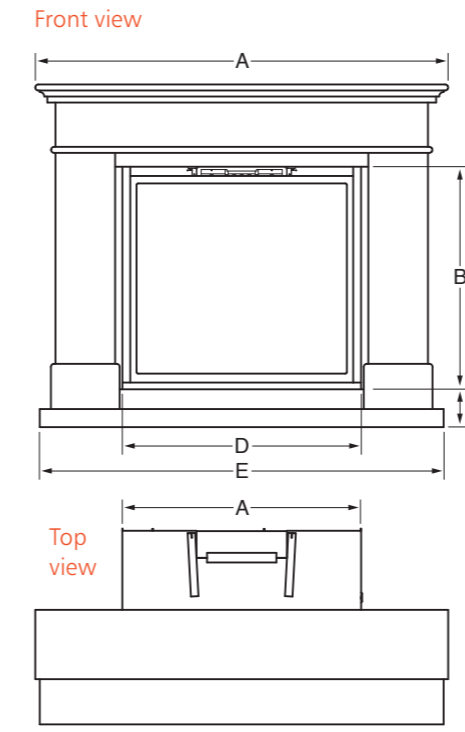


GLIMPSE FINISHED FALSE CHIMNEY

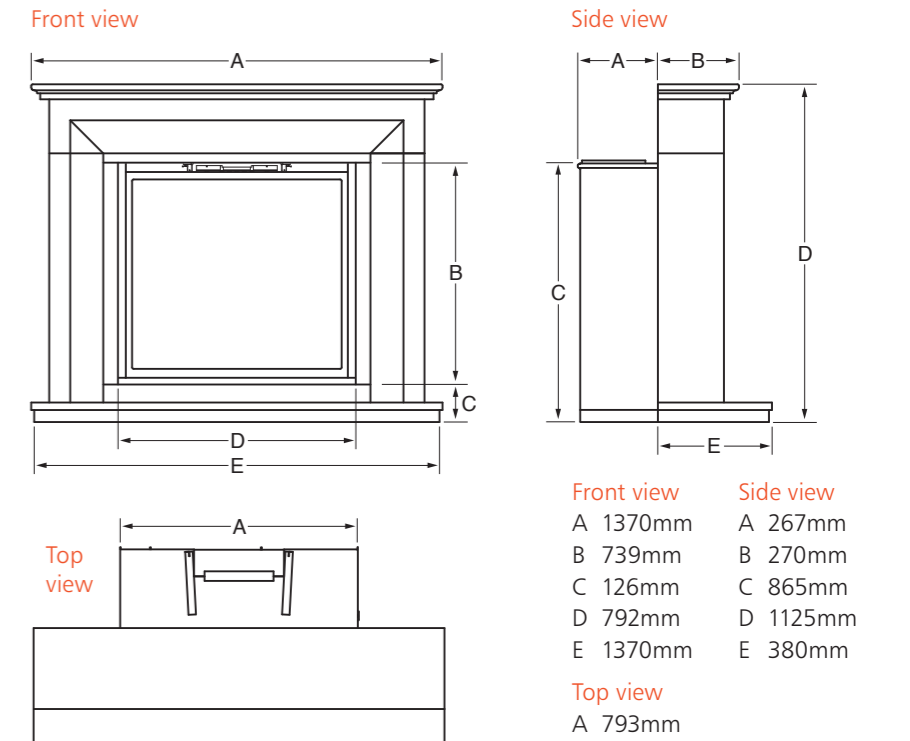


Suite Dimensions

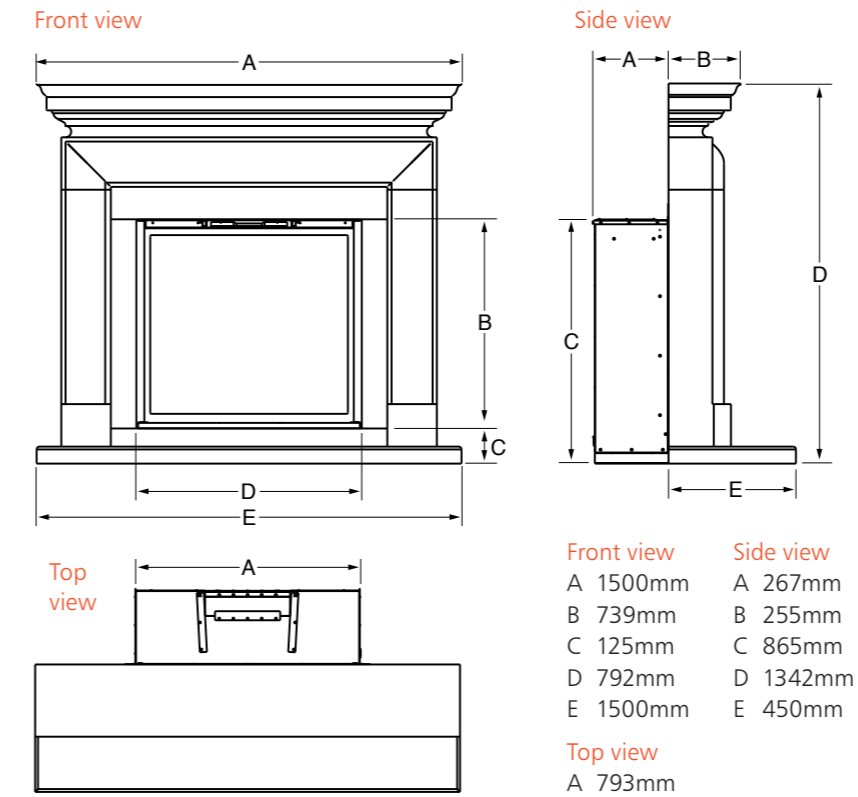
DA VINCI ILLUMIA MD



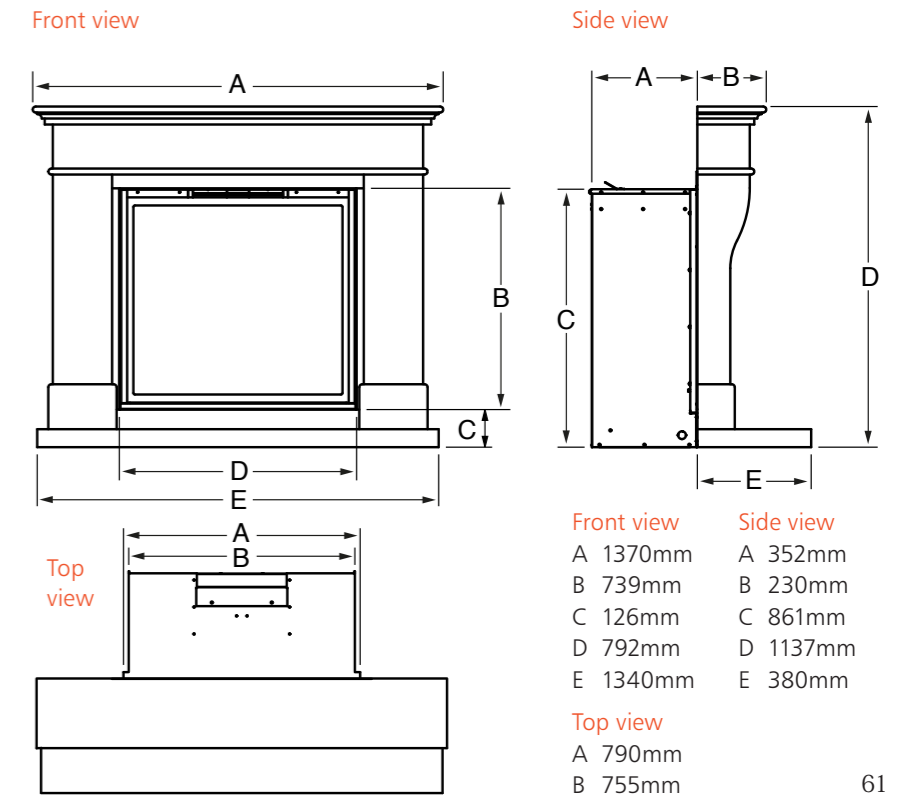
MONET ILLUMIA MD



GIULIANO ILLUMIA MD

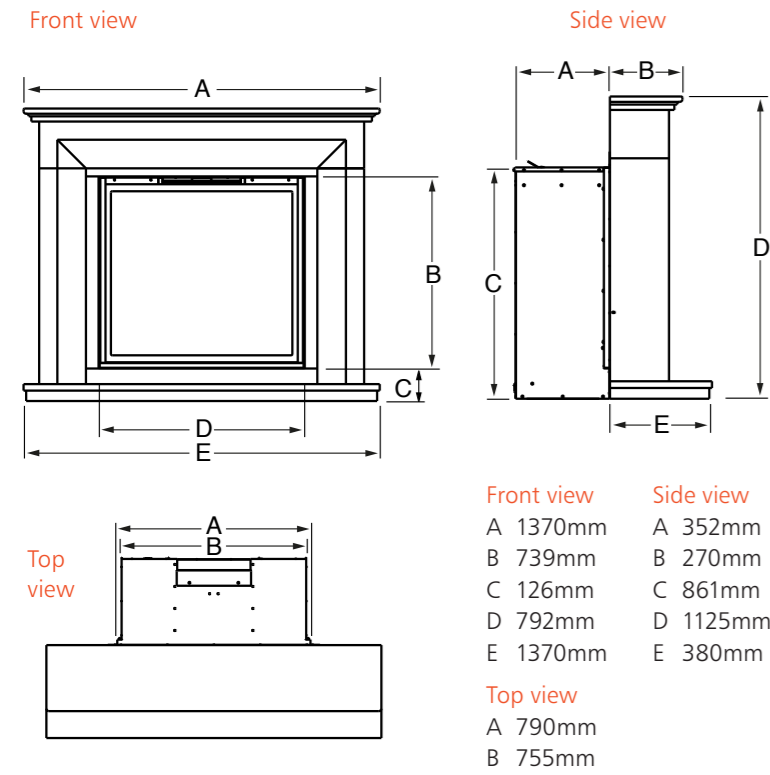


DA VINCI ILLUMIA

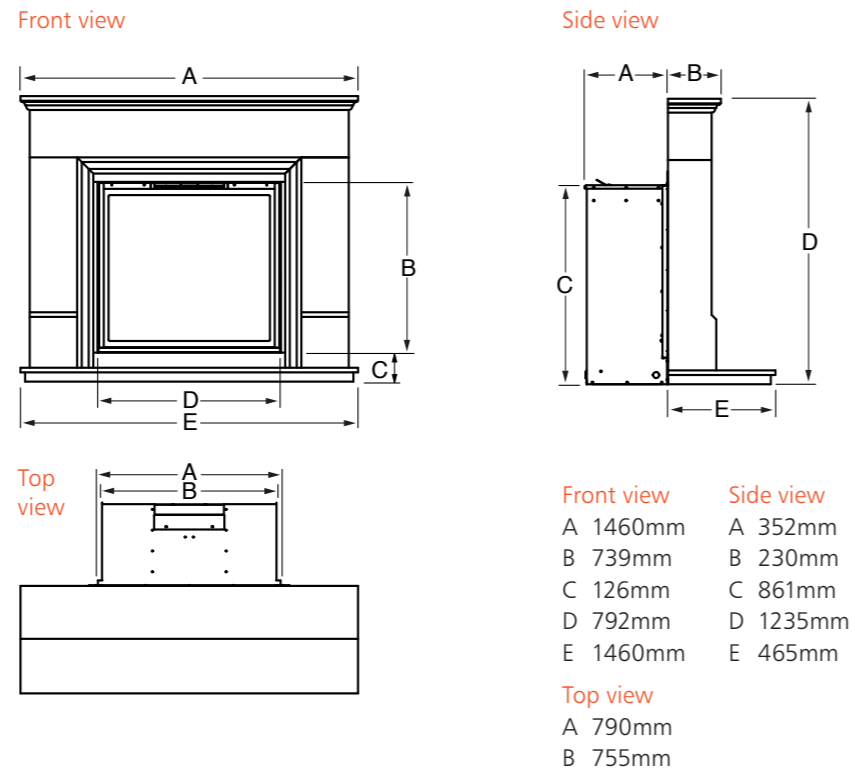


Suite Dimensions

MONET ILLUMIA

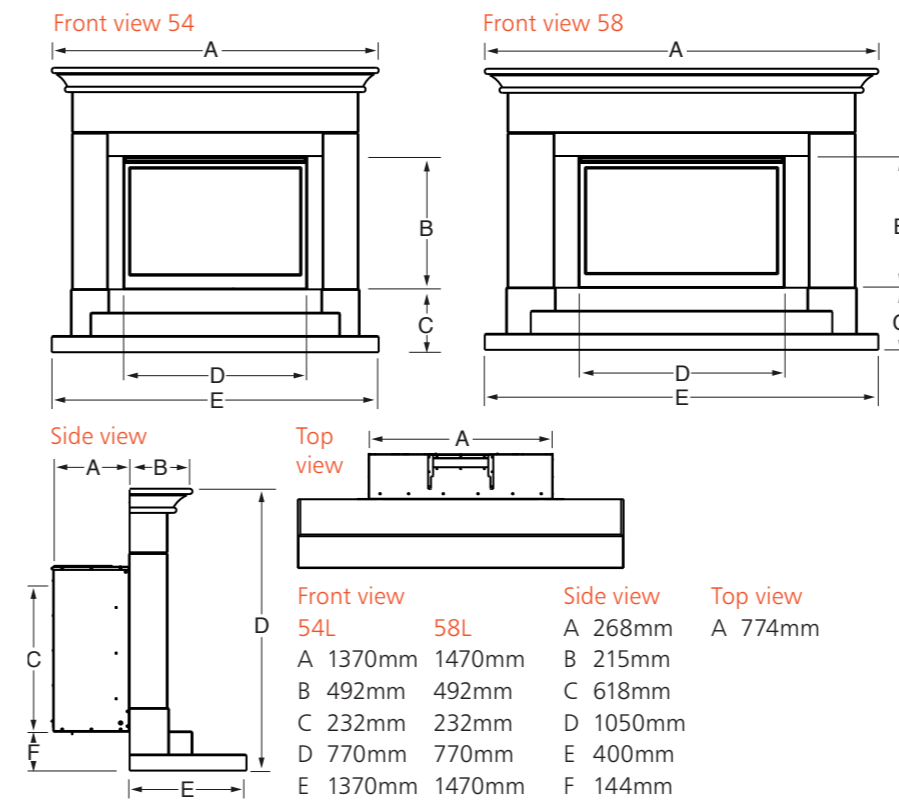


DISTINCTION ILLUMIA

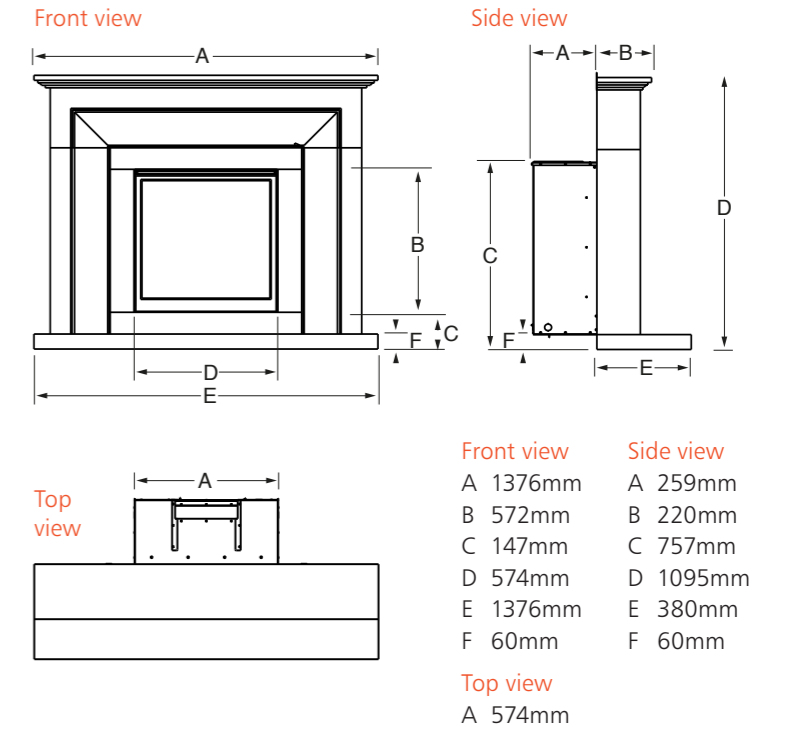


Suite Dimensions

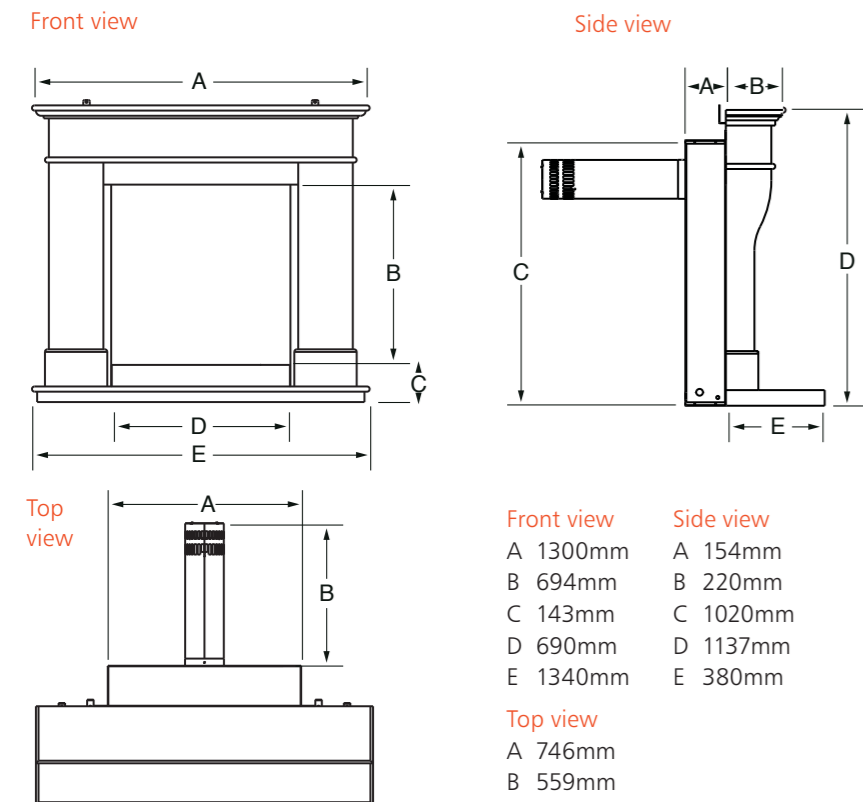
ALEESIA ILLUMIA 54 & 58



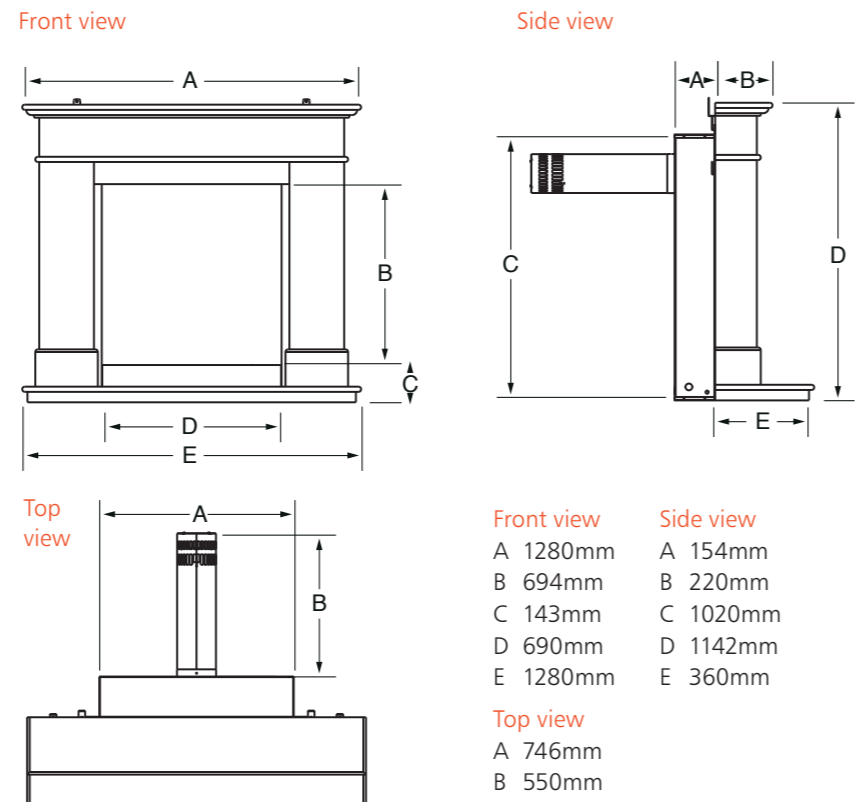
ASENCIO



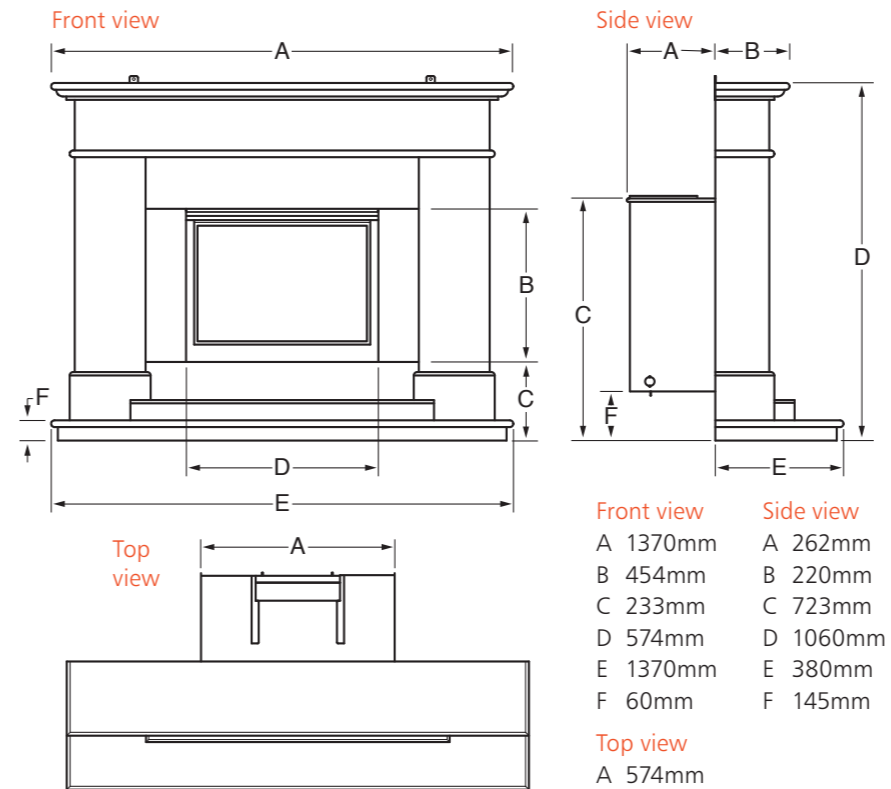
DA VINCI ILLUMIA SLIMLINE BALANCED FLUE



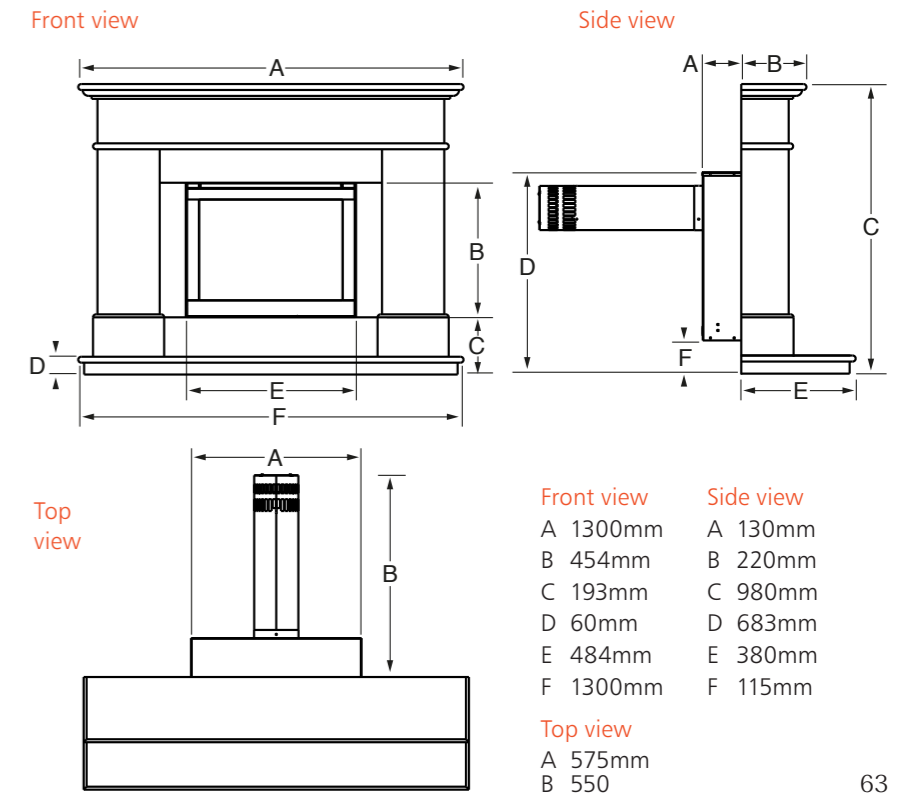
BOTICELLI ILLUMIA SLIMLINE BALANCED FLUE



BOTICELLI CELENA

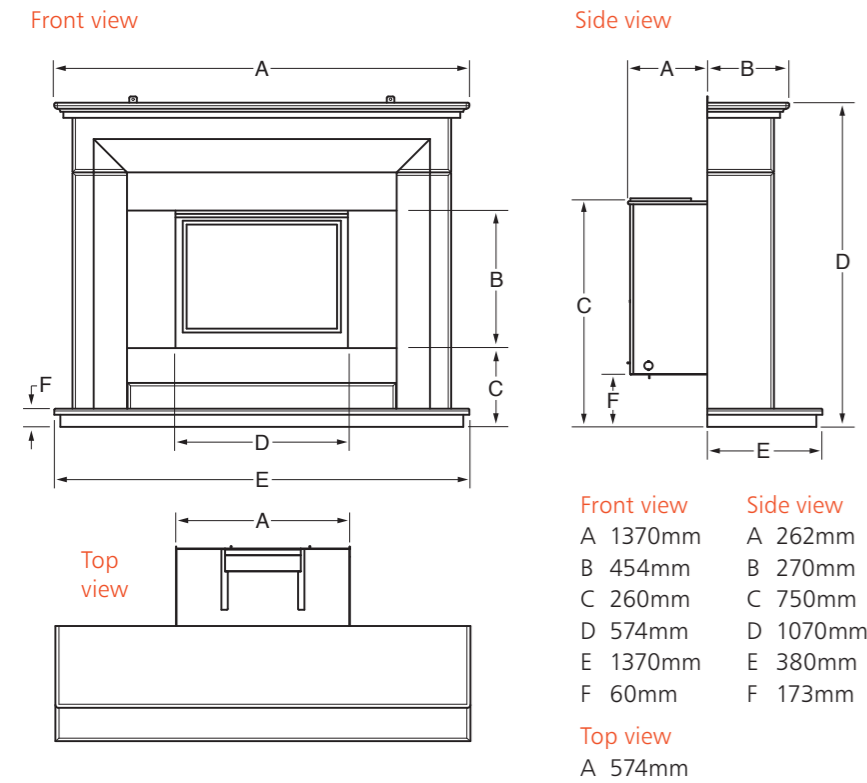


BOTICELLI CELENA SLIMLINE BALANCED FLUE

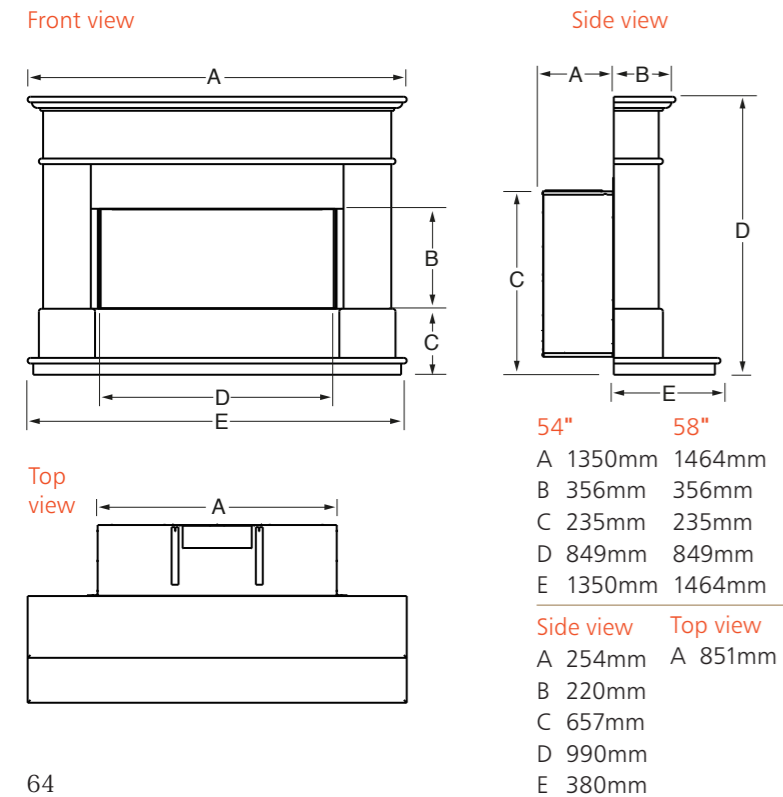


Suite Dimensions

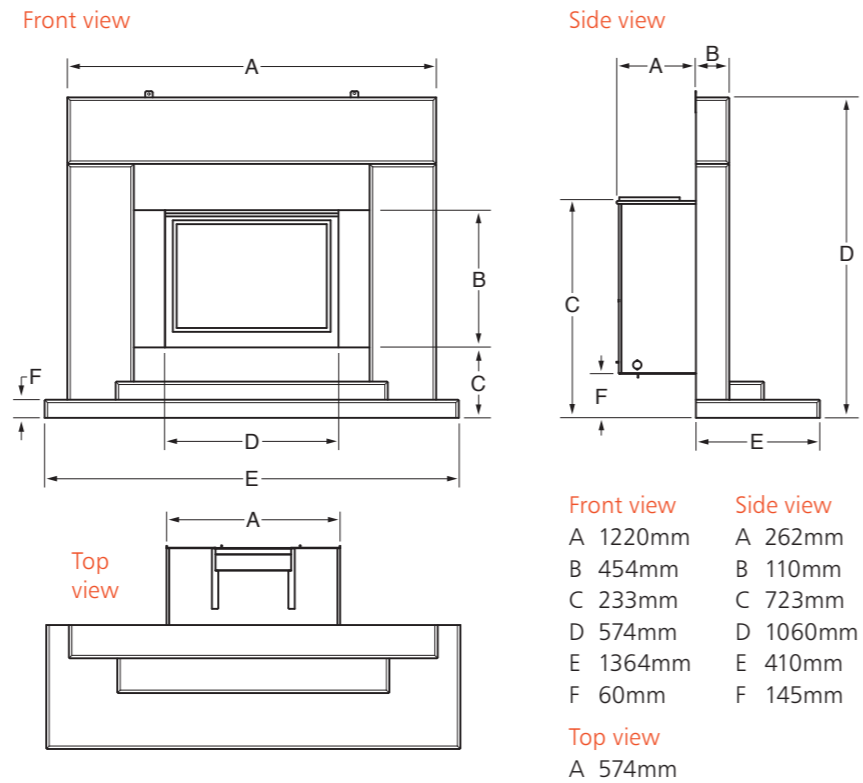
ANGELO CELENA



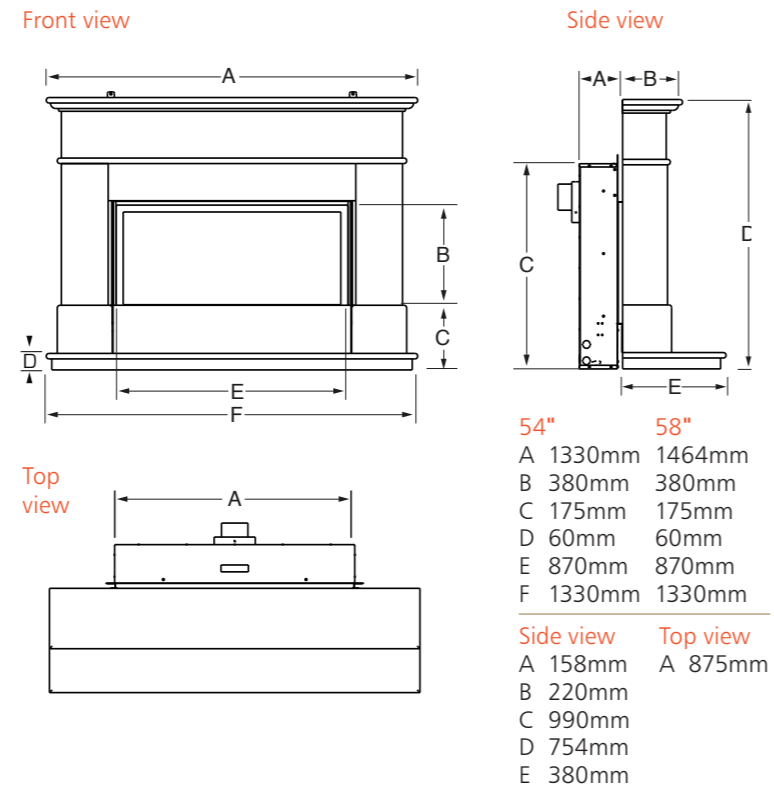
AVIGNON EDEN ELITE 54 & 58



PABLO CELENA

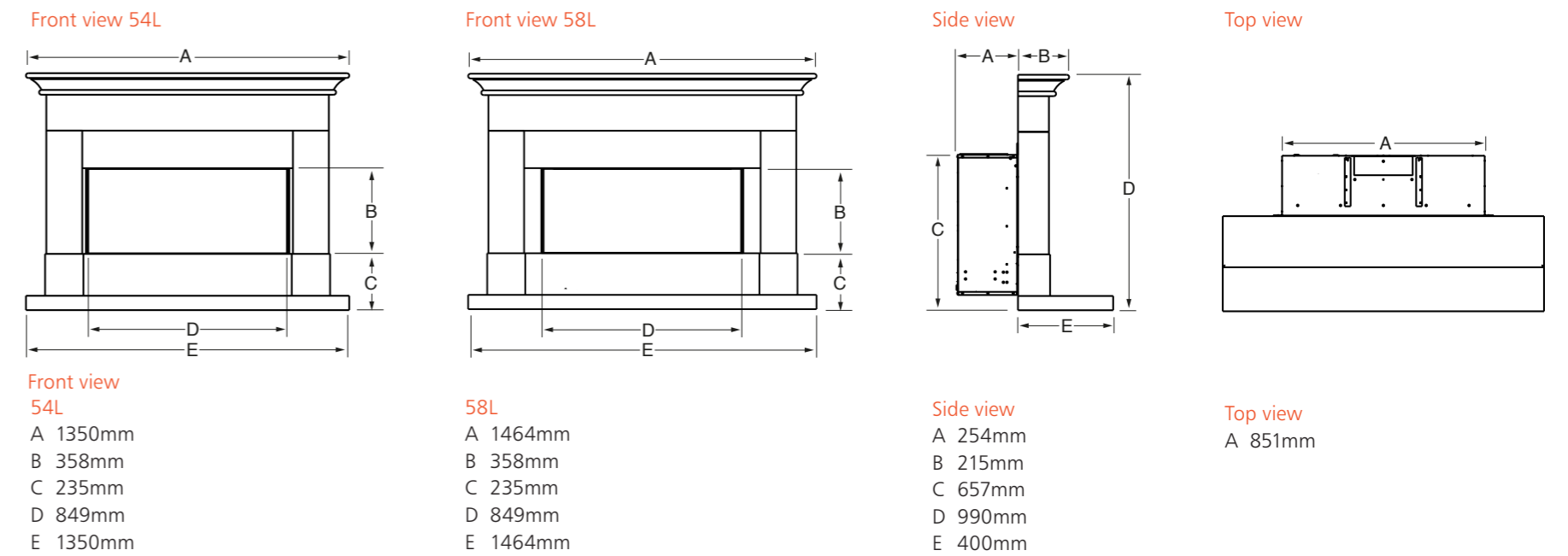


AVIGNON EDEN ELITE SLIMLINE BALANCED FLUE 54 & 58

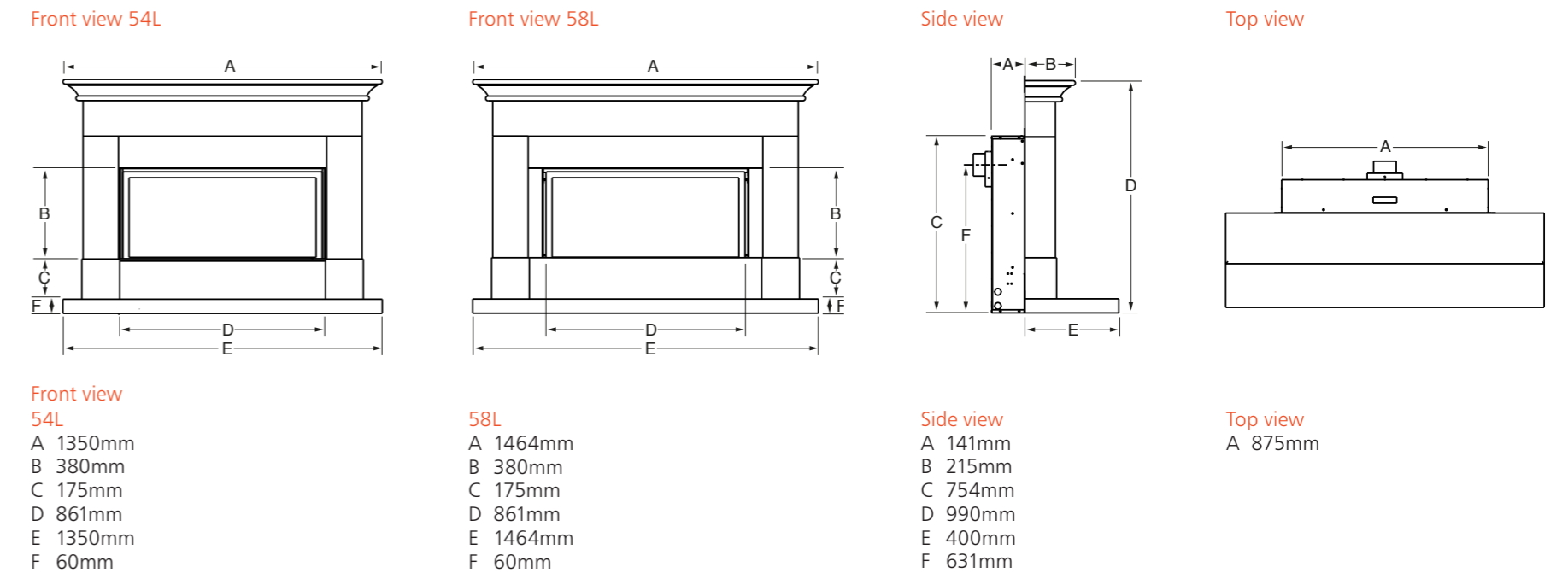


Suite Dimensions

PARADA ELITE ILLUMIA 54L & 58L

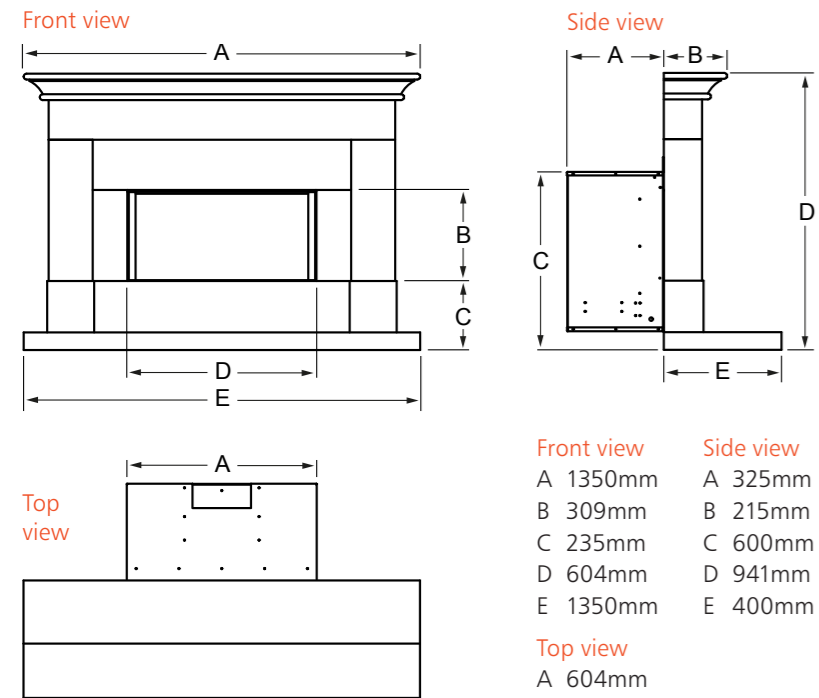


PARADA ELITE ILLUMIA SLIMLINE BALANCED FLUE 54L & 58L

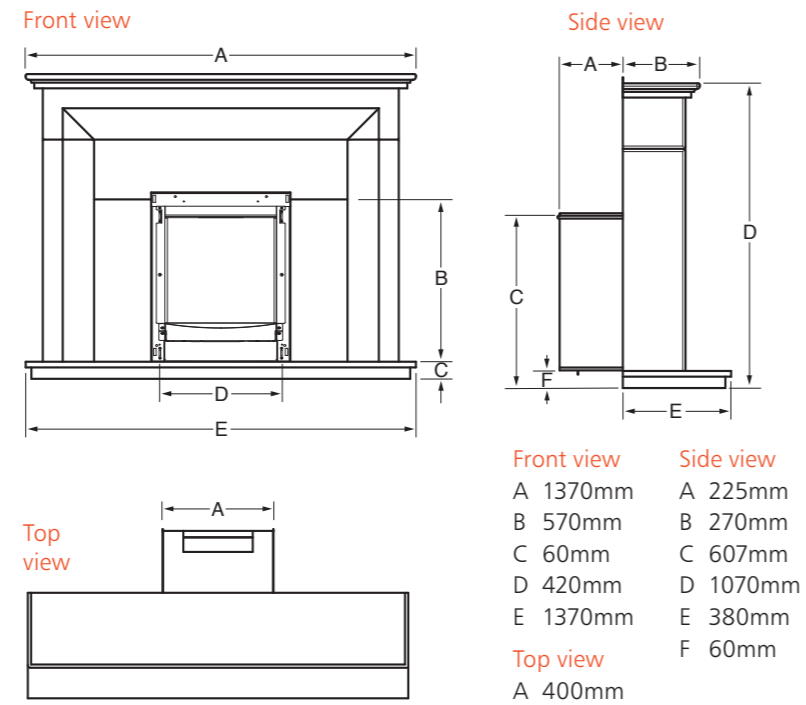


Suite Dimensions

PARADA ILLUMIA 545



PASSION HE SUITE

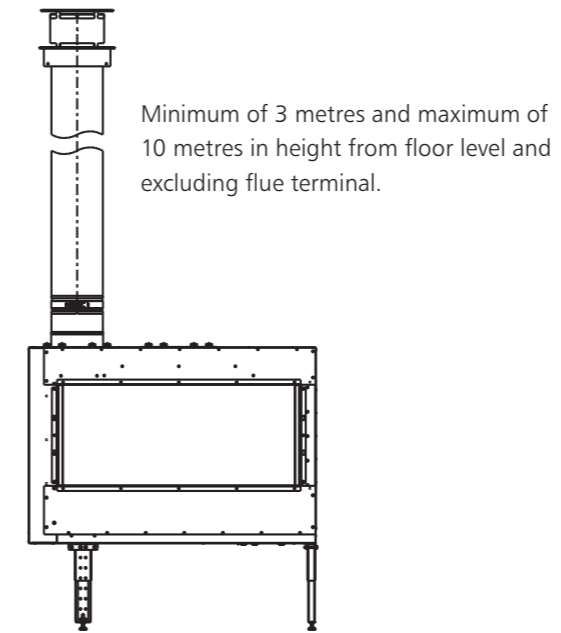


Balanced Flue Installations

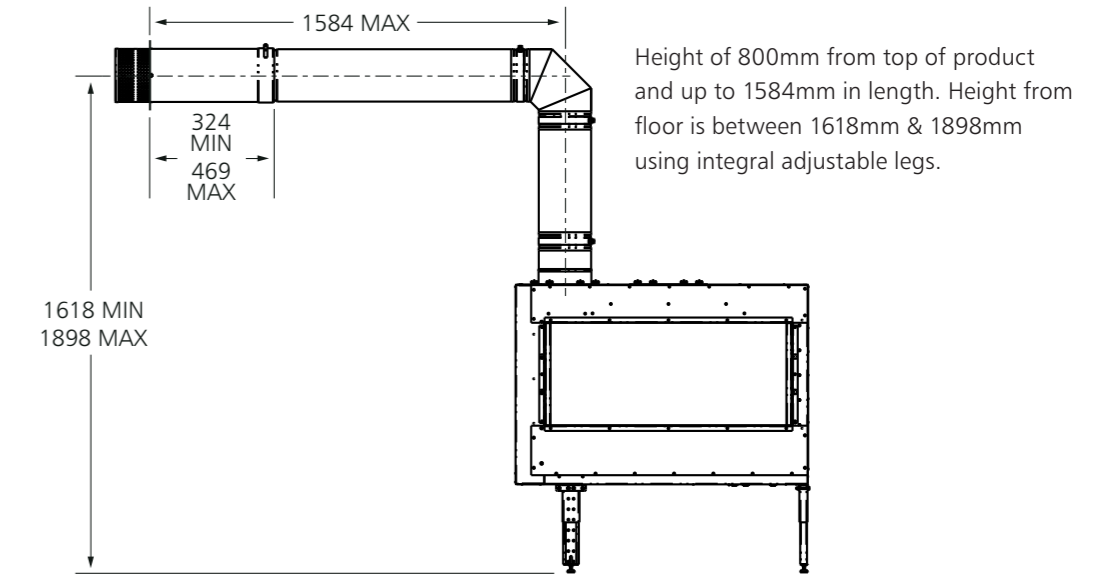
The following diagrams show our various balanced flue installation possibilities for each of our gas fires. For more detailed information please refer to the product installation manual.

GLIMPSE, GLIMPSE DUPLEX, GLIMPSE TRIPLEX

Vertical balanced flue installation

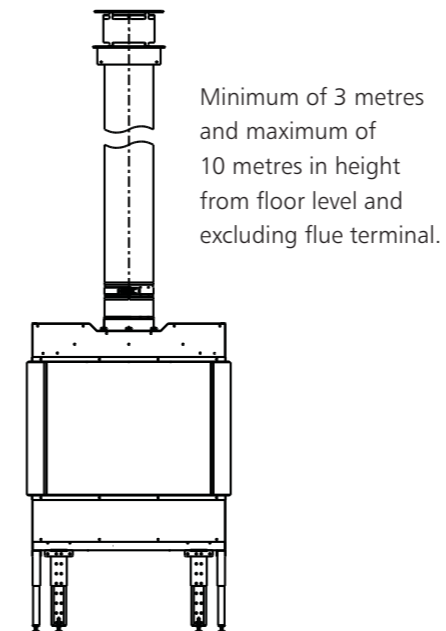


Horizontal balanced flue installation

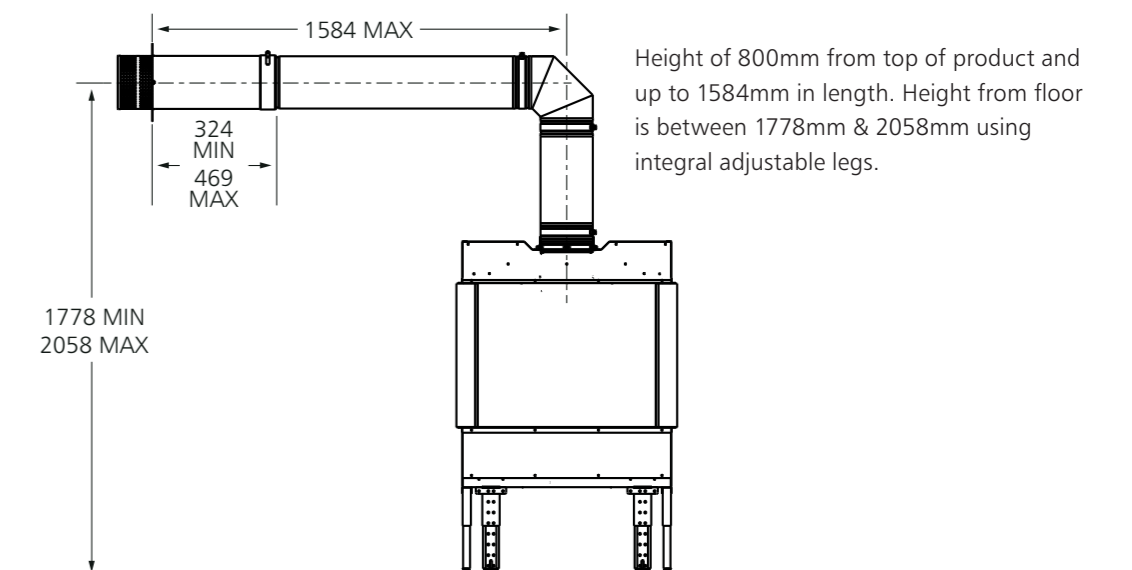


LUXE

Vertical balanced flue installation



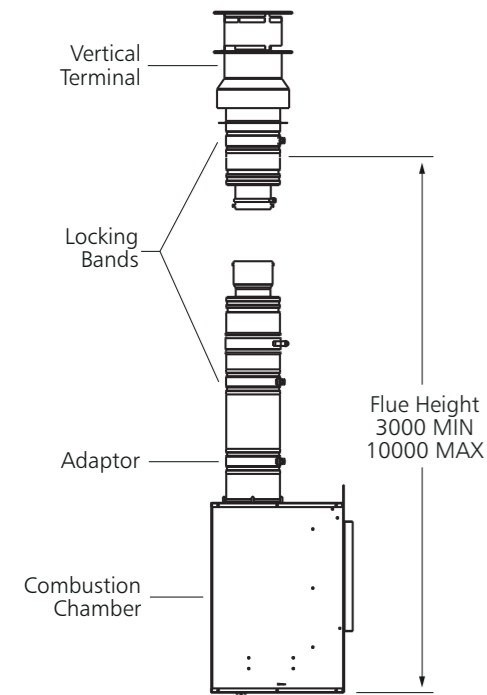
Horizontal balanced flue installation



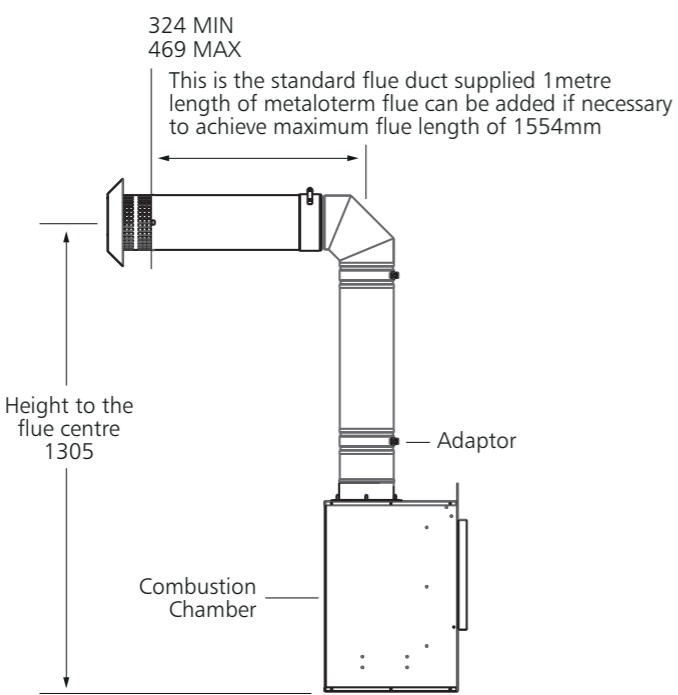
Balanced Flue Installations

CARMELO

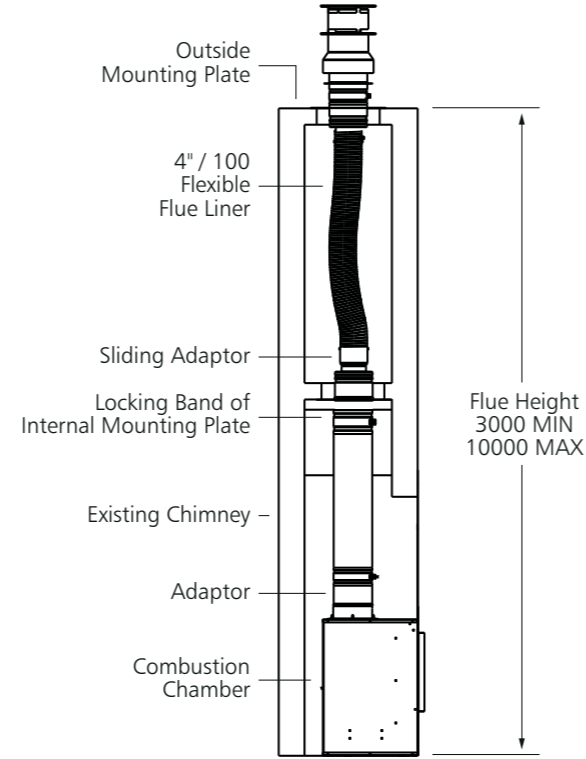
Vertical balanced flue installation



Horizontal balanced flue installation

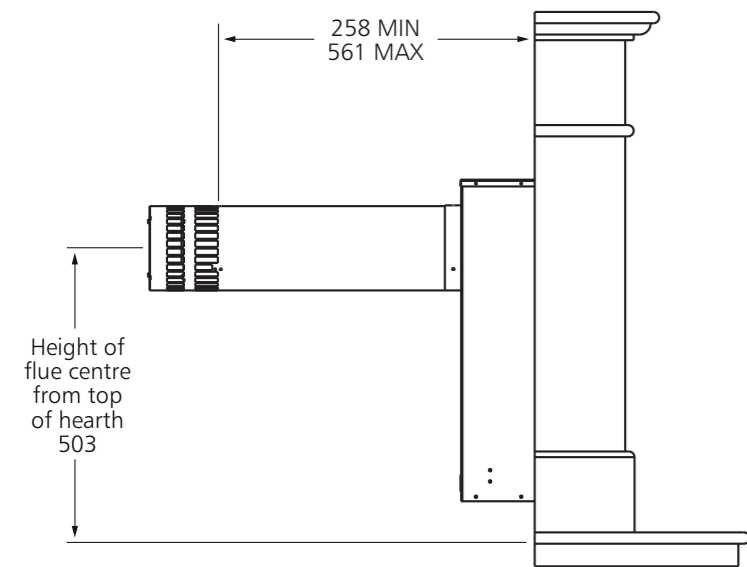


Chimney conversion balanced flue kit



BOTICELLI CELENA SLIMLINE

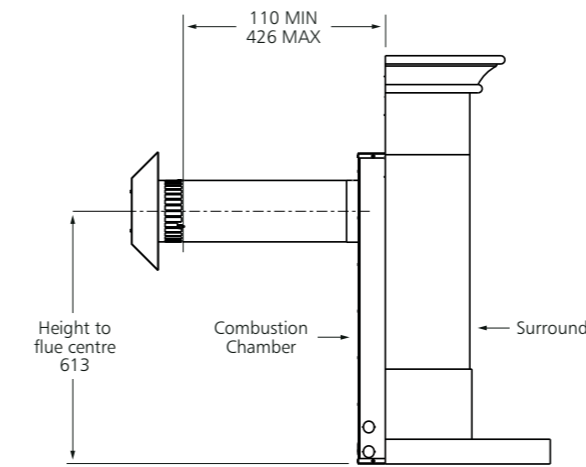
Horizontal balanced flue installation



Balanced Flue Installations

PARADA ELITE ILLUMIA SLIMLINE

Horizontal balanced flue installation

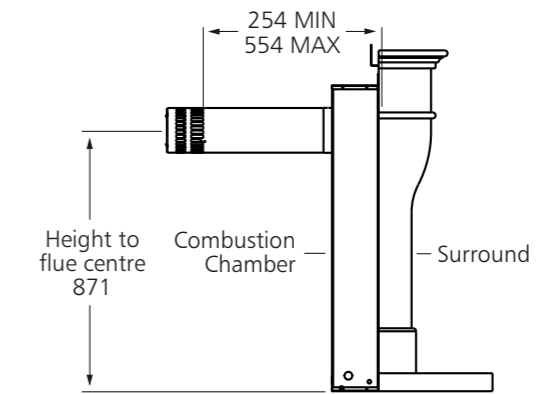


Chimney conversion balanced flue kit

The existing chimney must have a minimum cross-sectional area of 22,500mm² to provide sufficient air flow to fit the chimney conversion kit.

BOTICELLI & DA VINCI ILLUMIA SLIMLINE

Horizontal balanced flue Installation



WARNING

BFM Europe Limited is a Gas Safe Registered company. We recommend that all of our fires are installed by Gas Safe Registered engineers in accordance with our instructions.

DISCLAIMER

Our policy is one of constant development and improvement. We therefore reserve the right to revise designs and specifications of our products without formal notice, patents pending. We always recommend our products be viewed in an approved showroom before purchase.

Whilst we have taken every care in the preparation of this brochure it is not intended to replace the installation manual which provides more detailed information.

Photography is for illustration purposes only and although every effort has been made to ensure accurate reproduction of typical installations and flame pictures they may vary according to fire model and flue types.

We accept no liability for any loss or damage arising directly or indirectly from the use of this brochure. We recommend that all our fires are used in conjunction with central heating and not as a primary source of heat. In the interests of personal safety a suitable fireguard is recommended when children, the elderly and the infirm are present.

This brochure is copyright 2020 and must not be reproduced in whole or in any part without prior written permission.

The Collection by Michael Miller

BFM Europe Limited, Trentham Lakes, Stoke-on-Trent, Staffordshire ST4 4TJ

Call 01782 339000

www.thecollectiongasfires.co.uk

email: info@bfm-europe.com Fax: 01782 339009

ISSUE 10a