



# Stockton

## Freestanding Stove Range



## Installation Instructions

### IMPORTANT

THE OUTER CASING, FRONT AND GLASS PANEL BECOME EXTREMELY HOT DURING OPERATION AND WILL RESULT IN SERIOUS INJURY AND BURNS IF TOUCHED. IT IS THEREFORE RECOMMENDED THAT A FIREGUARD COMPLYING WITH BS 8423 (LATEST EDITION) IS USED IN THE PRESENCE OF YOUNG CHILDREN, THE ELDERLY OR INFIRM.

Do not attempt to burn rubbish in this appliance. Please read these Instructions carefully before installation or use.

Keep them in a safe place for future reference and when servicing the fire.

The commissioning sheet found on page 3 of these instructions should be completed by the Installer.

PM1755.1.01.2021

## CONTENTS

### Stockton Eco Range

Covering the following models:

MODEL	WOOD		MULTI- FUEL	
	ONE DOOR	TWO DOOR	ONE DOOR	TWO DOOR
<b>Stockton 3</b>	-	-	721-731	-
<b>Stockton 4</b>	721-146	-	721-744	-
<b>Stockton 5</b>	721-160	-	721-750	-
<b>Stockton 8</b>	721-191	721-202	721-675	721-681
<b>Stockton 11</b>	721-236	721-243	-	-

<b>Installation Instructions</b> .....	<b>4</b>
Essential Information .....	4
Dimensions .....	7
Distance to Combustibles .....	8
Pre-installation .....	10
Installation .....	13
Commissioning .....	18
<b>Maintenance &amp; Servicing</b> .....	<b>19</b>
Servicing .....	19
Legal Requirements .....	23
Information Requirement - Solid Fuel .....	25
Exploded Parts .....	26
Service Records .....	30

## APPLIANCE COMMISSIONING SHEET

To assist us in any guarantee claim please complete the following information:-

### Dealer appliance was purchased from:

Name:

Address:

Telephone number:

### Essential information - MUST be completed:

Date Installed:

Model Description:

Serial Number:

### Installation Engineer:

Company Name:

Address:

Telephone number:

### Commissioning Checks - to be completed and signed:

Is flue system correct for the appliance:	YES <input type="checkbox"/>	NO <input type="checkbox"/>
Flue swept and soundness test complete:	YES <input type="checkbox"/>	NO <input type="checkbox"/>
Smoke test completed on installed appliance	YES <input type="checkbox"/>	NO <input type="checkbox"/>
Spillage test completed	YES <input type="checkbox"/>	NO <input type="checkbox"/>
Use of appliance and operation of controls explained	YES <input type="checkbox"/>	NO <input type="checkbox"/>
Clearance to combustible materials checked	YES <input type="checkbox"/>	NO <input type="checkbox"/>
Instruction book handed to customer	YES <input type="checkbox"/>	NO <input type="checkbox"/>
CO Alarm Fitted	YES <input type="checkbox"/>	NO <input type="checkbox"/>
Flue draught Reading (Pa)	HOT <input type="text"/>	COLD <input type="text"/>

Signature: ..... Print Name: .....

## ESSENTIAL INFORMATION - MULTI-FUEL STOVE

GENERAL	Model:		Stockton 3	Stockton 4	Stockton 5	Stockton 8	
	Nominal Heat Output	Wood	kW	4.8	5.0	5.0	8.2
		Solid Fuel	kW	4.8	4.8	5.0	8.1
	Efficiency	Wood	%	77.1	77.6	76.0	76.0
		Solid Fuel	%	78.1	80.2	79.2	78.4
	CO @ 13% O <sub>2</sub>	Wood	%	0.12	0.11	0.11	0.10
		Solid Fuel	%	0.06	0.09	0.11	0.12
	Weight		Kg	76	74	86	132
Recommended Fuels	Wood	Seasoned Wood (less than 20% moisture content)					
	Solid Fuel	Briquette smokeless fuel suitable for closed appliances (Ancit-Phuracite-Maxibrite-Taybrite-Homefire Ovals)					

**As tested to the requirements of EN 13240 for intermittent operation**

FLUES	Flue/Chimney Size	Without flue liner Round (Diameter)	mm	128	128	128	153
			inch	6	6	6	6
		Without flue liner system (Square)	mm	135	135	135	135
			inch	5½	5½	5½	5½
		With Liner of Factory made system (diameter) installed in accordance with manufacturers instructions	mm	128	128	128	153
			inch	6	6	6	6
	Flue/Chimney minimum height**	All products **must be 4.5m from the hearth to the top of the flue, with no horizontal sections and a maximum of 4 bends. Bends must have angles of less than 45 degrees from the vertical.	m	4.5	4.5	4.5	4.5
			feet	15	15	15	15
	Flue Draught	Min	Pa	10	10	10	10
		Nominal		12	12	12	12
		Max		20	20	20	20
	Flue Gas Mass Flow	Wood	g/s	4.1	4.5	4.5	6.9
Solid Fuel		g/s	3.2	3.9	4.0	5.9	
Average Flue Gas Temperature	Wood	°C	313	290	321	328	
	Solid Fuel	°C	302	255	293	308	
Flue Outlet Size (Top or Rear Option)	All	mm	128	128	128	153	
		inch	5	5	5	6	

**European Min Spec for Chimney Flue - T400 N2 D 3 G50**

VENTILATION	A) Traditionally Built Homes		B) Modern Construction Homes				
	• Where leakage is greater than 5m <sup>3</sup> /hour/m <sup>2</sup> .		• Where leakage is less than 5m <sup>3</sup> /hour/m <sup>2</sup> .				
	• Ventilation normally required = 550mm <sup>2</sup> per kW output over 5kW		• Ventilation normally required = 550mm <sup>2</sup> per kW				
	A	Additional Ventilation	mm <sup>2</sup>	None	None	None	1760
			cm <sup>2</sup>	None	None	None	17.6
			in <sup>2</sup>	None	None	None	2.7
	B	Additional Ventilation	mm <sup>2</sup>	2640	2750	2750	4510
cm <sup>2</sup>			26.4	27.5	27.5	45.1	
in <sup>2</sup>			4.1	4.3	4.3	7.0	

For full technical details on ventilation see Technical Appendix on Page 22

## ESSENTIAL INFORMATION - WOOD STOVE

<b>GENERAL</b>	<b>Model:</b>			<b>Stockton 4</b>	<b>Stockton 5</b>	<b>Stockton 8</b>	<b>Stockton 11</b>
	Nominal Heat Output	Wood	kW	4.9	5.0	8.3	11.3
	Efficiency	Wood	%	77.3	78.9	77.8	76.2
	CO @ 13% O <sub>2</sub>	Wood	%	0.10	0.09	0.09	0.11
	Weight	Wood	Kg	66	76	115	160
Recommended Fuels	Wood	Seasoned Wood (less than 20% moisture content)					

### As tested to the requirements of EN 13240 for intermittent operation

<b>FLUES</b>	Flue/Chimney Size <small>May be reduced to 128mm (5") if burning approved smokeless fuels or burning wood in an appliance approved for use in a DEFRA smoke control area</small>	Without flue liner Round (Diameter)	mm	128	128	153	153
			inch	6	6	6	6
		Without flue liner system (Square)	mm	135	135	135	135
			inch	5½	5½	5½	5½
		With Liner of Factory made system (diameter) installed in accordance with manufacturers instructions	mm	128	128	150	150
			inch	6	6	6	6
	Flue/Chimney minimum height**	All products **must be 4.5m from the hearth to the top of the flue, with no horizontal sections and a maximum of 4 bends. Bends must have angles of less than 45 degrees from the vertical.	m	4.5	4.5	4.5	4.5
			feet	15	15	15	15
	Flue Draught	Min	Pa	10	10	10	10
		Nominal		12	12	12	12
Max		20		20	20	20	
Flue Gas Mass Flow	Wood	g/s	4.6	4.6	7.0	9.8	
Average Flue Gas Temperature	Wood	°C	286	291	302	318	
Flue Outlet Size (Top or Rear Option)	All	mm	128	128	153	153	
		inch	5	5	6	6	

### European Min Spec for Chimney Flue - T400 N2 D 3 G50

<b>VENTILATION</b>	<b>A) Traditionally Built Homes</b> • Where leakage is greater than 5m <sup>3</sup> /hour/m <sup>2</sup> . • Ventilation normally required = 550mm <sup>2</sup> per kW output over 5kW		<b>B) Modern Construction Homes</b> • Where leakage is less than 5m <sup>3</sup> /hour/m <sup>2</sup> . • Ventilation normally required = 550mm <sup>2</sup> per kW				
	<b>A</b>	Additional Ventilation	mm <sup>2</sup>	None	None	1815	3465
			cm <sup>2</sup>	None	None	18.2	34.7
			in <sup>2</sup>	None	None	2.8	5.4
	<b>B</b>	Additional Ventilation	mm <sup>2</sup>	2695	2750	4565	6215
			cm <sup>2</sup>	27	27.5	45.7	62.2
			in <sup>2</sup>	4.2	4.3	7.1	9.6

For full technical details on ventilation see Technical Appendix on Page 22

# Installation

## **Registered Professional:**

Before installation and/or use of this appliance please read these instructions fully and carefully to ensure that you have fully understood their requirements.

The appliance must be fitted by a registered installer, or approved by your local building control officer.

## **Structural Support:**

If installing on a wooden floor check that the floor joists are strong enough to bear the weight of the insert, chimney and construction parts.

## **Hearth:**

A Constructional Hearth with a depth of 125mm and a 12mm Decorative Hearth Plate must be installed to protect a combustible floor from the risk of falling embers if mounted directly on the floor.

The Decorative Hearth must extend 300mm in front of the hearth and can be made of natural stone, concrete, metal or glass.

## **Final inspection of the installation:**

When it has been installed, the appliance must be commissioned in accordance with standards and practices to ensure full working order and a correct handover given to the customer.

## **Flue and Chimney**

The flue or chimney system must be able to withstand flue temperatures of up to 400°C.

The external diameter of the connection sleeve is 155mm.

In normal operating mode, draft in the chimney should be 20-25 Pa close to the connection sleeve. The draft is affected primarily by the length and area of the chimney and also by how well sealed it is.

The minimum recommended chimney length is 3.5m and a suitable cross-section area is 150-200cm<sup>2</sup> (140-160 mm in diameter).

Sharp bends and horizontal lengths in a flue pipe reduce the draft in the chimney.

It must be possible to sweep the full length of the flue, and the soot doors must be easily accessible.

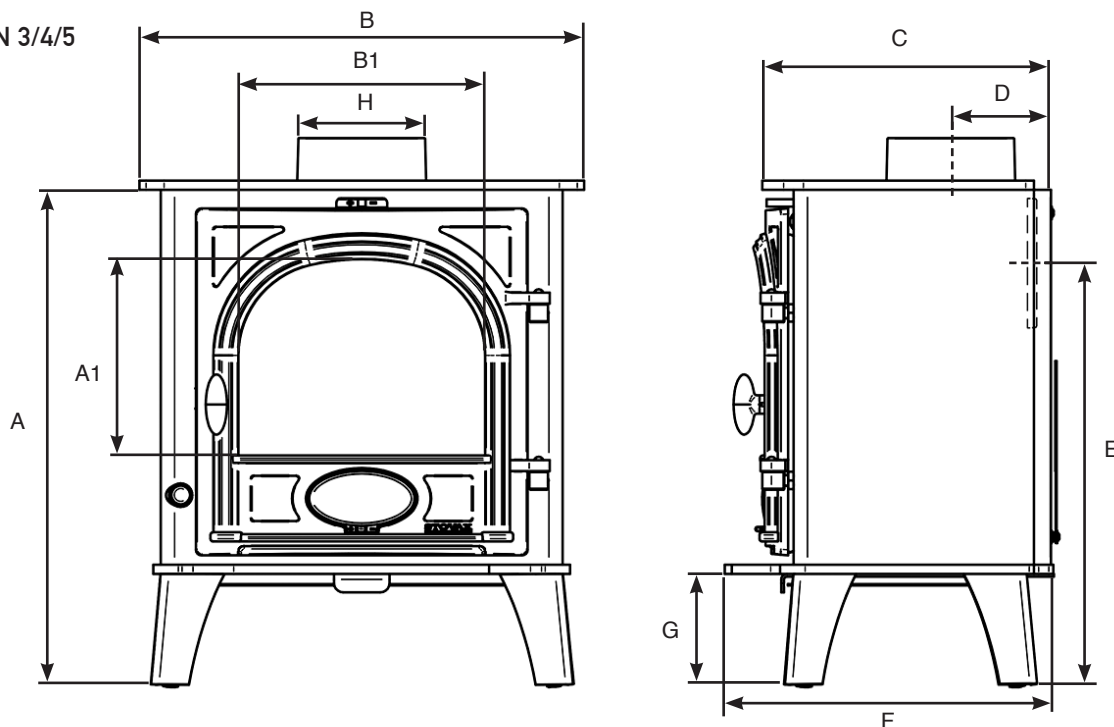
Carefully check that the chimney is sealed and that there is no leakage of smoke from the connections.

## **Combustion Air Supply**

When the appliance is installed, it is essential to ensure adequate air is supplied to the room. Air can be provided indirectly via a vent in the outer wall or via a duct from the outside that connects to the sleeve on the underside of the insert. The required volume of combustion air is about 20 m<sup>3</sup>/hour.

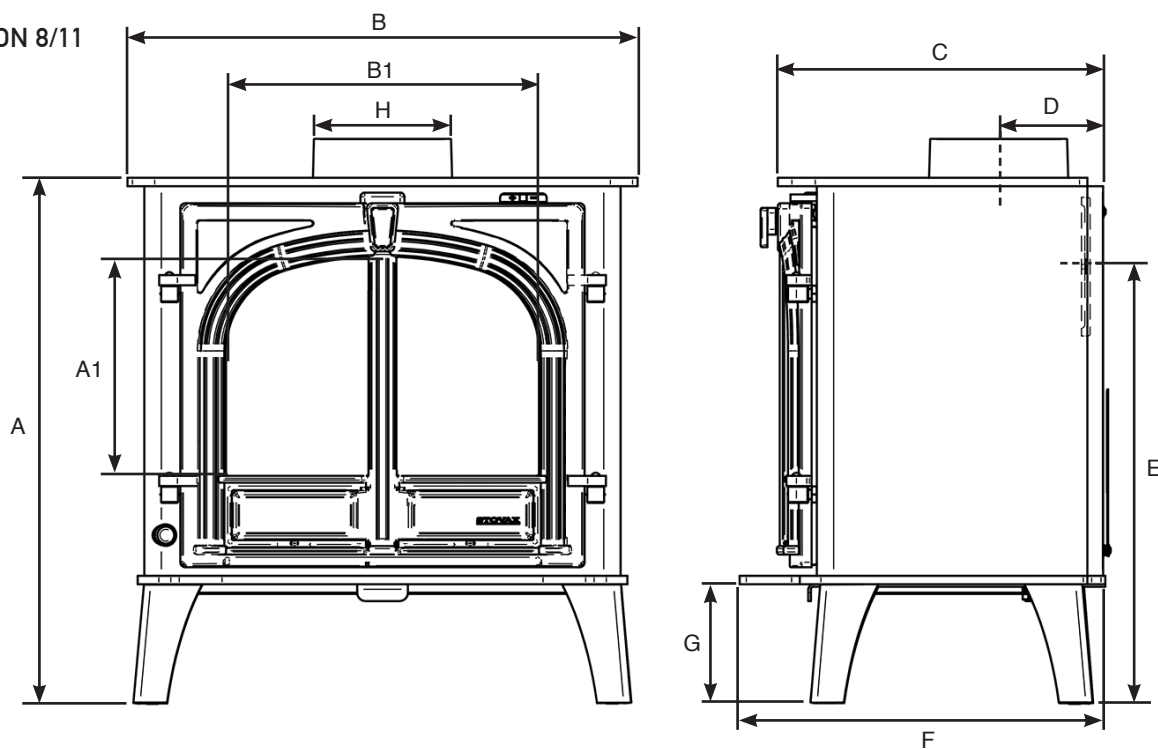
STOCKTON DIMENSIONS

STOCKTON 3/4/5



DESCRIPTION	A	A1	B	B1	C	D	E	F	G	H (dia)
<b>Stockton 3</b>	510	202	389	190	291	112	422	363	96	128
<b>Stockton 4</b>	572	247	389	190	313	112	482	363	112	128
<b>Stockton 5</b>	544	212	481	267	312	109	456	356	120	128

STOCKTON 8/11

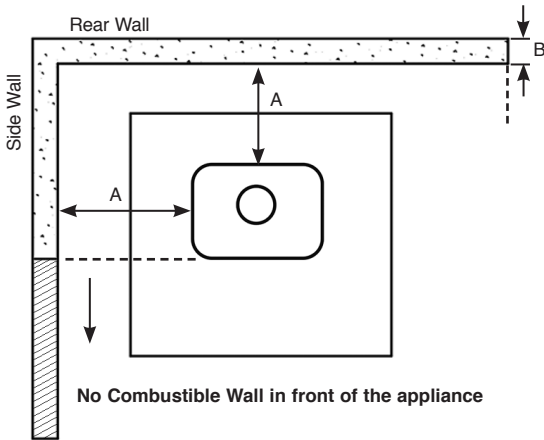


DESCRIPTION	A	A1	B	B1	C	D	E	F	G	H (dia)
<b>Stockton 8</b>	620	259	603	374	385	124	516	432	141	152
<b>Stockton 11</b>	678	272	723	474	403	117	541	467	162	153

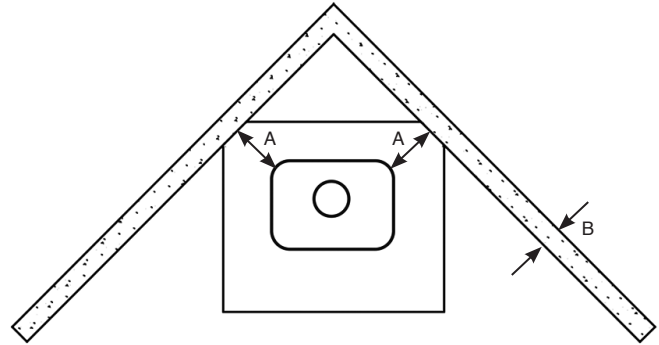
\* All dimensions in mm (25.4 mm = 1")

## CLEARANCE TO NON-COMBUSTIBLE MATERIAL

### PARALLEL POSITION CLEARANCES



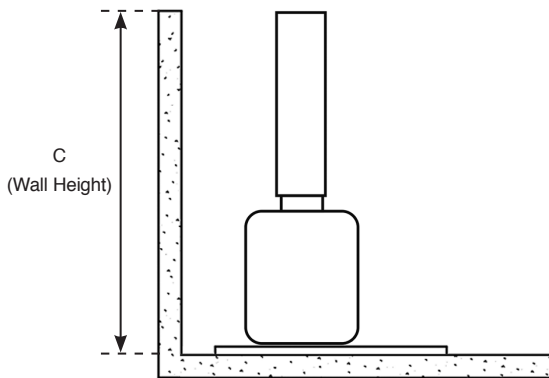
### CORNER POSITION CLEARANCES



DISTANCE TO NON-COMBUSTIBLE MATERIALS

Distance of Appliance to Wall (A)	Minimum Thickness of wall (B)	Minimum Height of Wall (C)
0mm - 50mm*	200mm	Height of appliance + 300mm OR 1200mm from the hearth (take largest dimension)
51mm - 300mm	75mm	
300mm+	No requirement	No requirement

### Height above appliance



### HEARTH THICKNESS

#### Stockton 3/4/5

These appliances are suitable to stand on a 12mm decorative hearth.

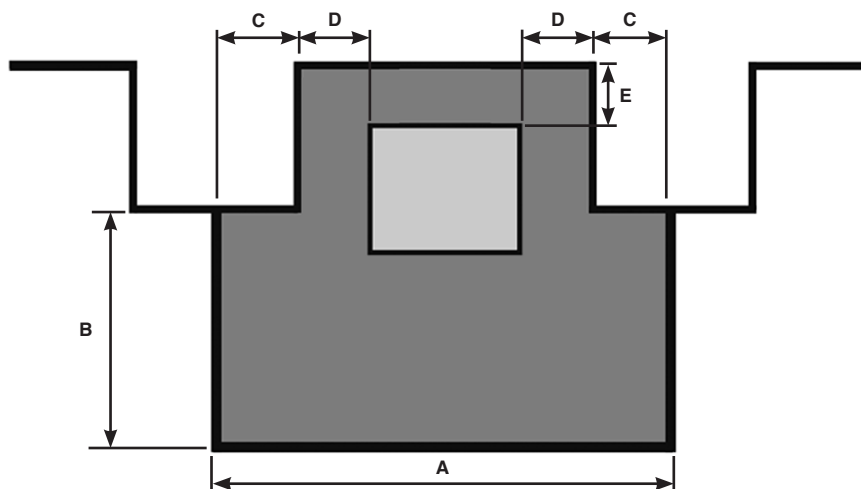
#### Stockton 8/11

These appliances must stand on a non-combustible constructional hearth which is at least 125mm thick.



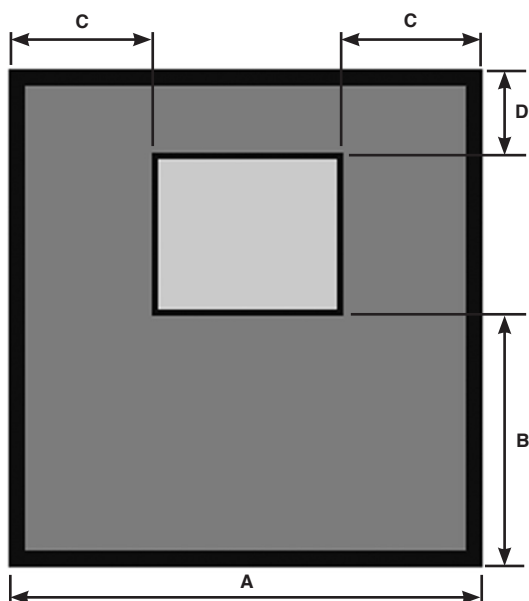
## CLEARANCE TO COMBUSTIBLE MATERIAL

### ENCLOSED SETTING



DIMENSION	A	B	C	D	E	
					Fitted with Heat Shield	Standard Clearance
<b>Stockton 3</b>	1489	225	150	400	150	350
<b>Stockton 4 - Wood</b>	1389	225	150	350	250	350
<b>Stockton 4 - Multi-Fuel</b>	1589	225	150	450	300	450
<b>Stockton 5 - Wood</b>	1481	225	150	350	150	350
<b>Stockton 5 - Multi-Fuel</b>	1581	225	150	400	150	450
<b>Stockton 8 - Wood</b>	1903	350	150	500	300	450
<b>Stockton 8 - Multi-Fuel</b>	2053	350	150	575	450	550
<b>Stockton 11</b>	2023	350	150	500	400	550

### OPEN SETTING



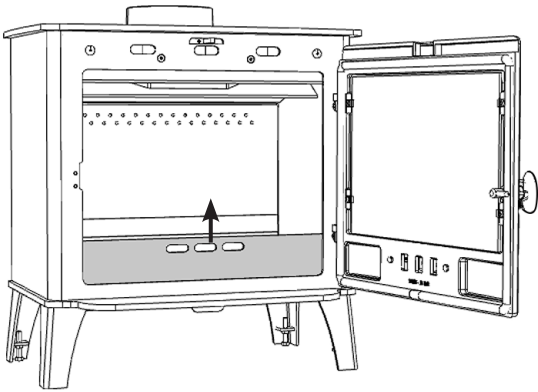
DIMENSION	A	B	C	D	
				Fitted with Heat Shield	Standard Clearance
<b>Stockton 3</b>	1189	225	400	150	350
<b>Stockton 4 - Wood</b>	1189	225	350	250	350
<b>Stockton 4 - Multi-Fuel</b>	1389	225	450	300	450
<b>Stockton 5 - Wood</b>	1181	225	350	150	350
<b>Stockton 5 - Multi-Fuel</b>	1281	225	400	150	450
<b>Stockton 8 - Wood</b>	1603	350	500	300	450
<b>Stockton 8 - Multi-Fuel</b>	1753	350	575	450	550
<b>Stockton 11</b>	1723	350	500	400	550

## PRE-INSTALLATION

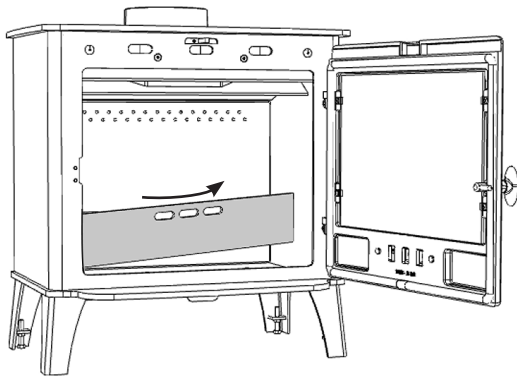
To make the installation of the appliance easier it is best to remove the internal components before installation. Please note, the following methods are for 1 & 2 Door Models.

### LOG GUARD - WOOD MODELS

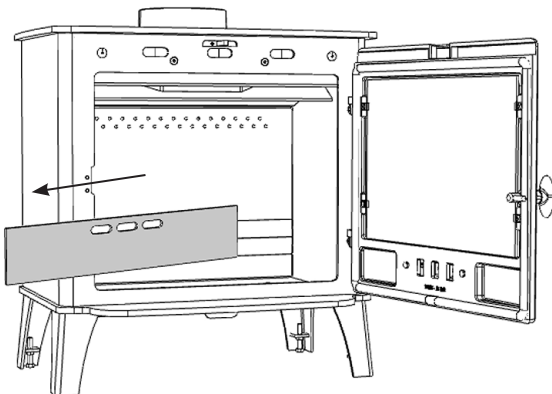
①



②

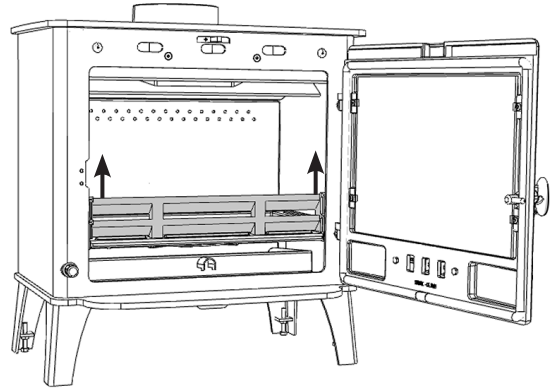


③

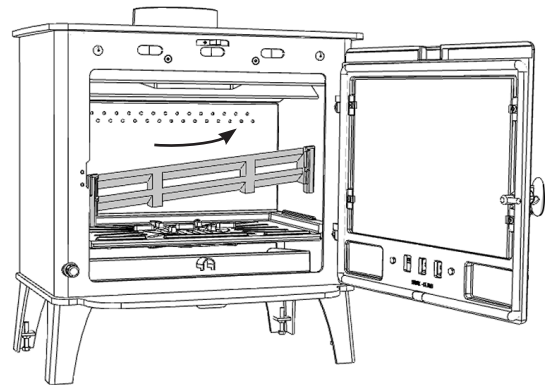


### LOG GUARD - MULTI-FUEL MODELS

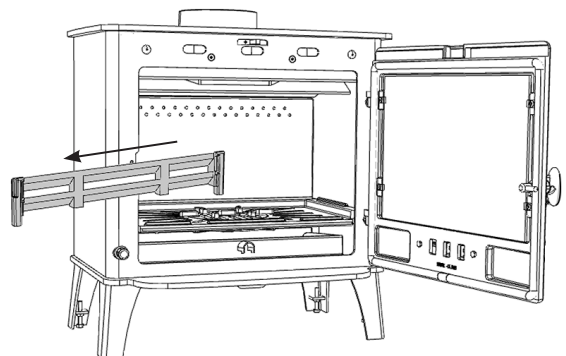
①



②



③

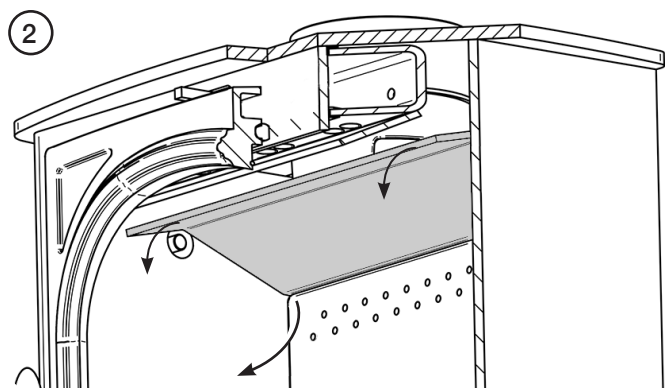
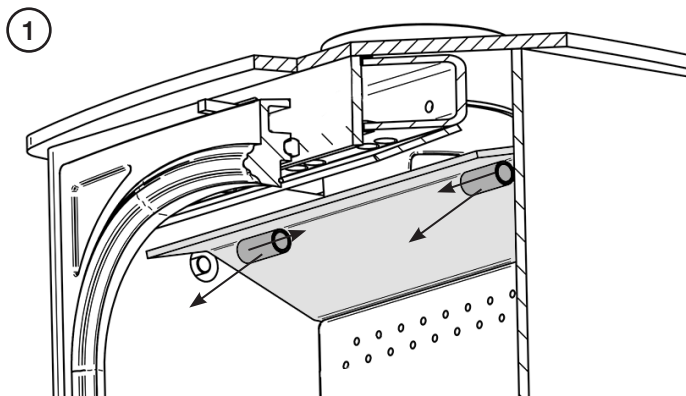
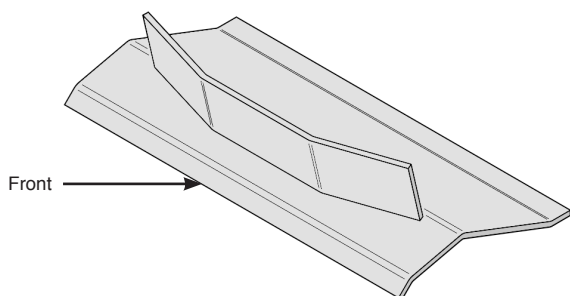


## BAFFLE

The appliance is fitted with a baffle in the top of the firebox to maintain efficient combustion.

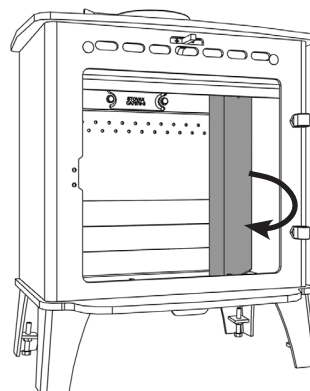


**ALLOW THE STOVE TO COOL FULLY BEFORE REMOVING THE BAFFLE SYSTEM.**

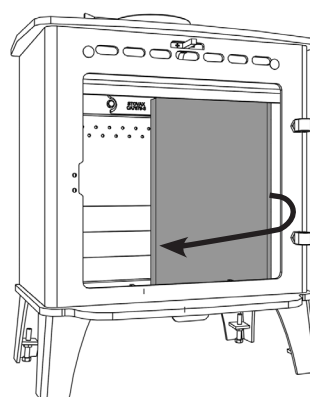


## FIREBRICKS - WOOD

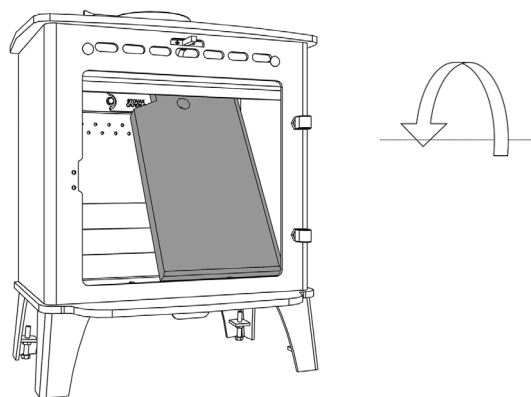
1



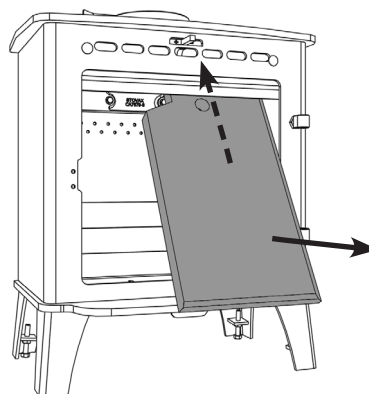
2



3



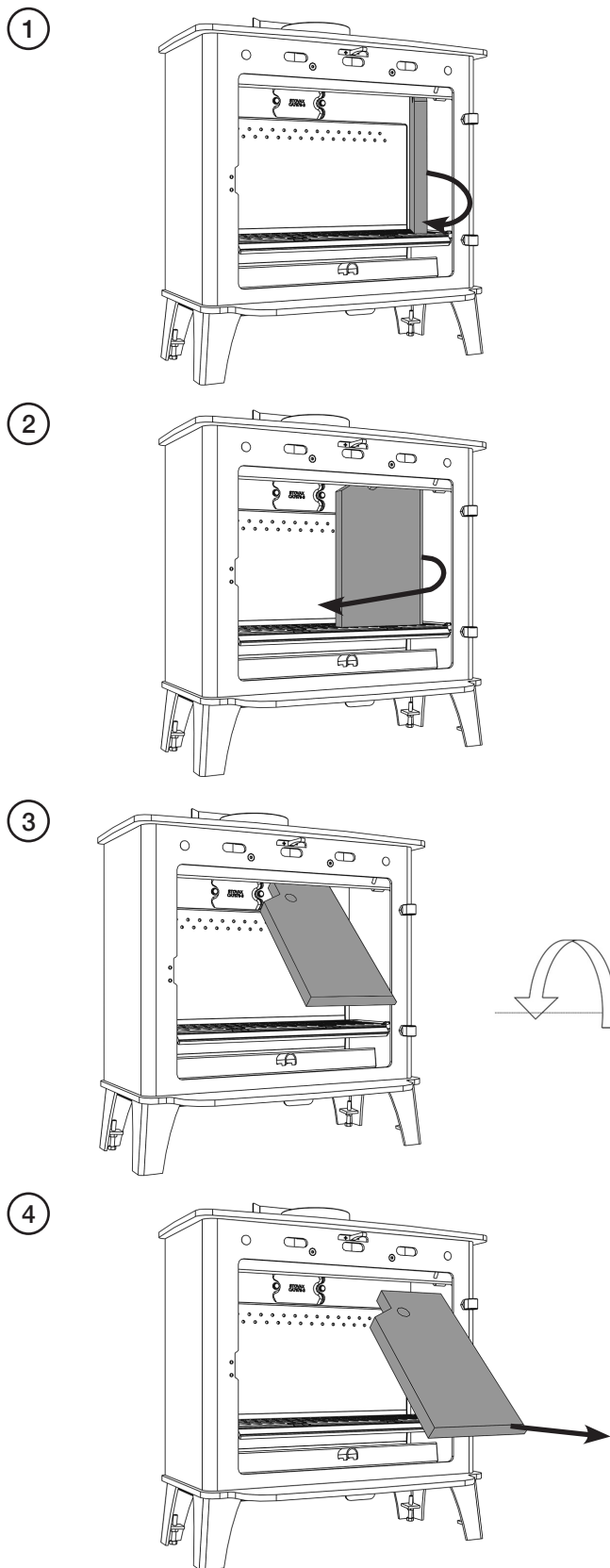
4



Repeat for the other side.

Take care not to damage the firebricks.

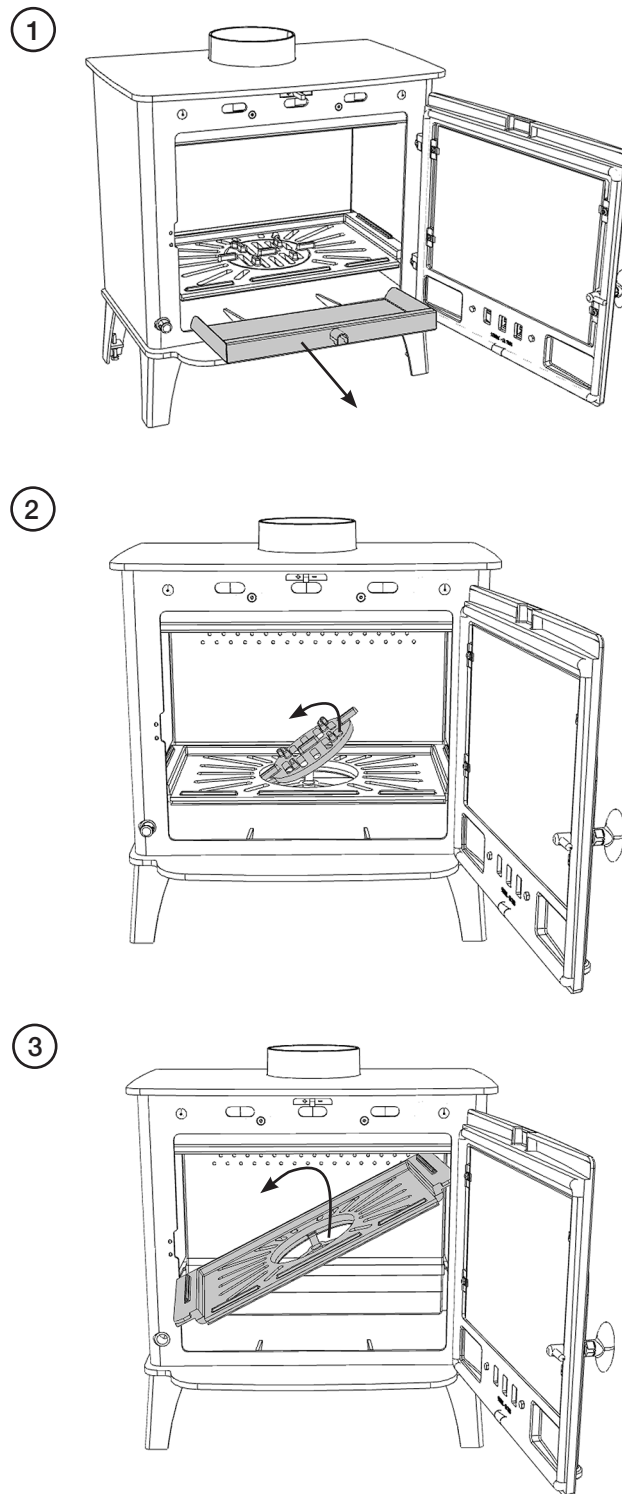
FIREBRICKS - MULTI-FUEL



Repeat for the other side.

Take care not to damage the firebricks.

REMOVAL OF THE MULTI-FUEL GRATE (MULTI-FUEL MODELS ONLY)



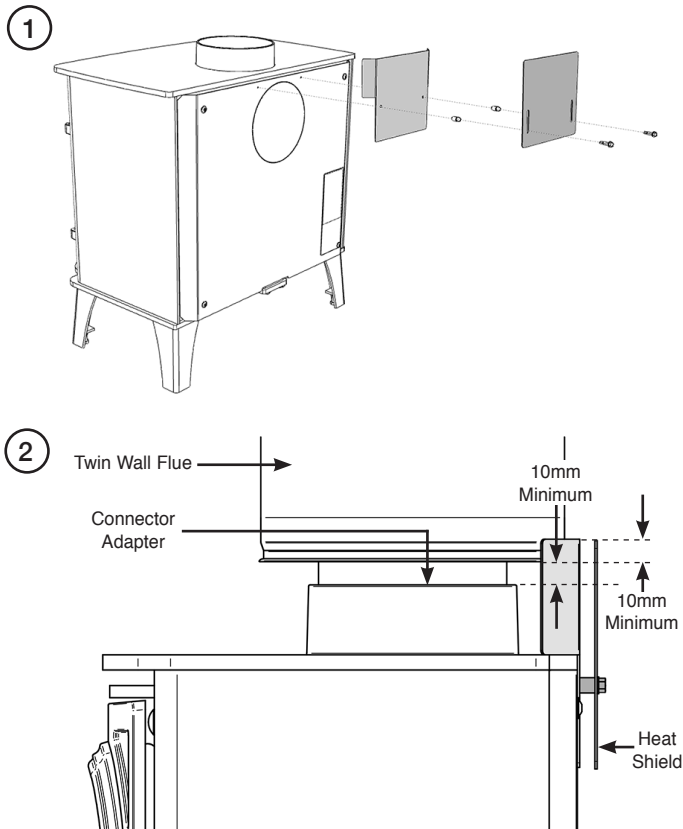
## INSTALLING THE APPLIANCE

Take care when installing the appliance. Careless handling and use of tools can damage the finish and/or area.

### TWIN WALL HEAT SHIELD (TWIN WALL INSTALLATIONS ONLY)



IF THE APPLIANCE IS TO BE INSTALLED IN A COMBUSTIBLE SETTING THE MINIMUM CLEARANCES CAN ONLY BE ACHIEVED USING A TWIN WALL FLUE SYSTEM AND HEAT SHIELD.

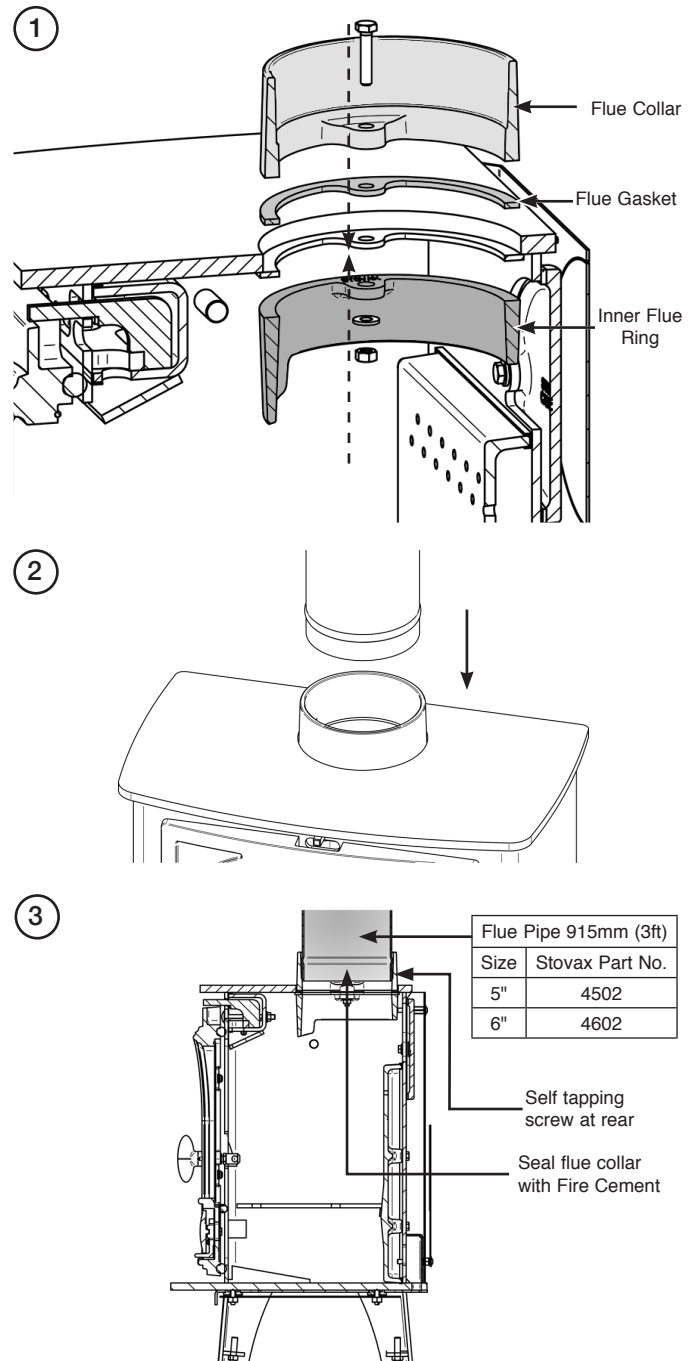


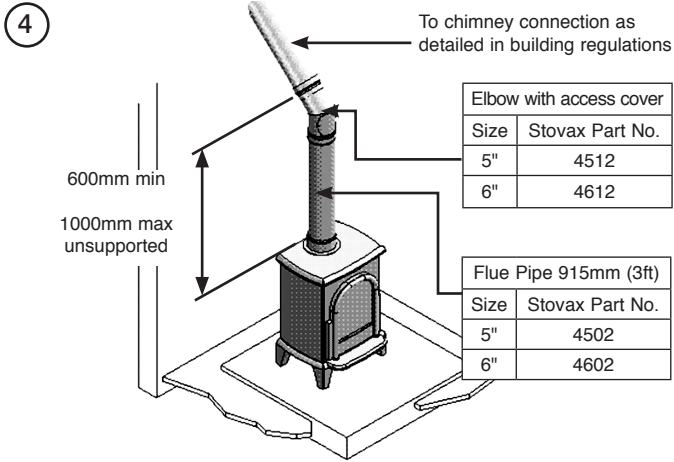
#### IMPORTANT

When installing the flue pipe, there must be no exposed single wall flue & a minimum 10mm expansion gap must be left between the Twin Wall flue & the top face of the Flue Collar.

### TOP FLUE INSTALLATION

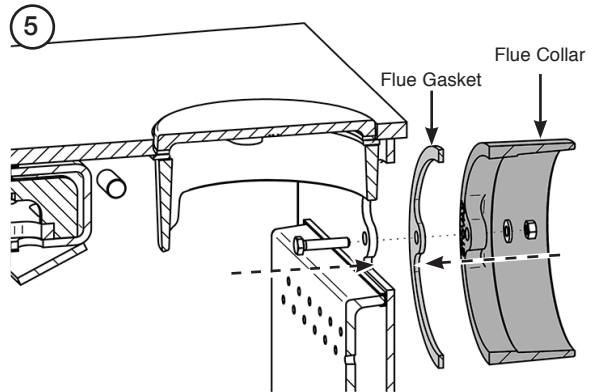
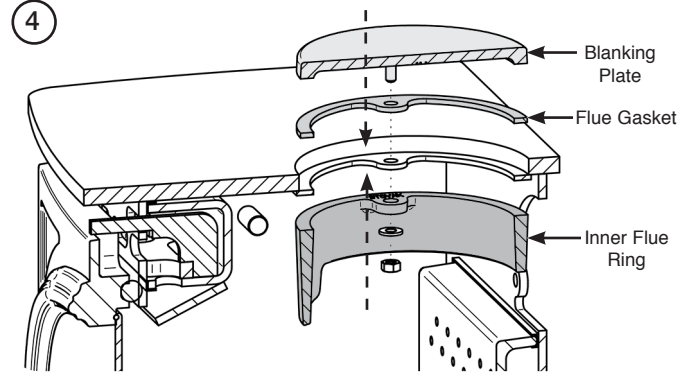
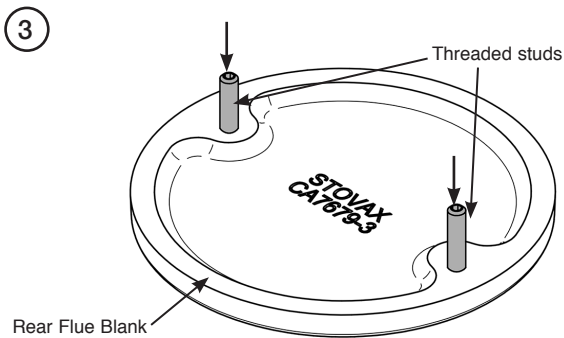
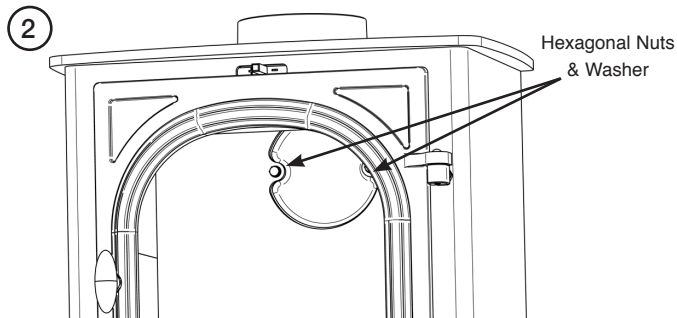
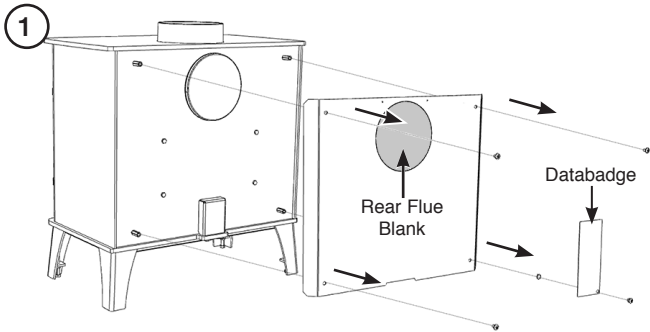
The appliance is factory set with the blanking plate fitted on the rear outlet.



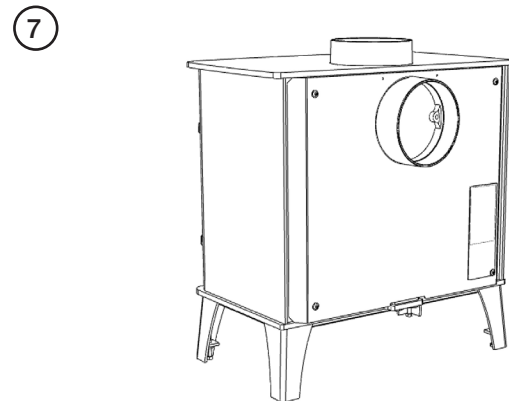
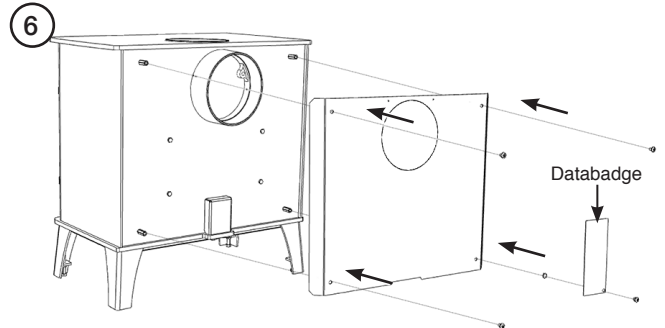


## REAR FLUE INSTALLATION

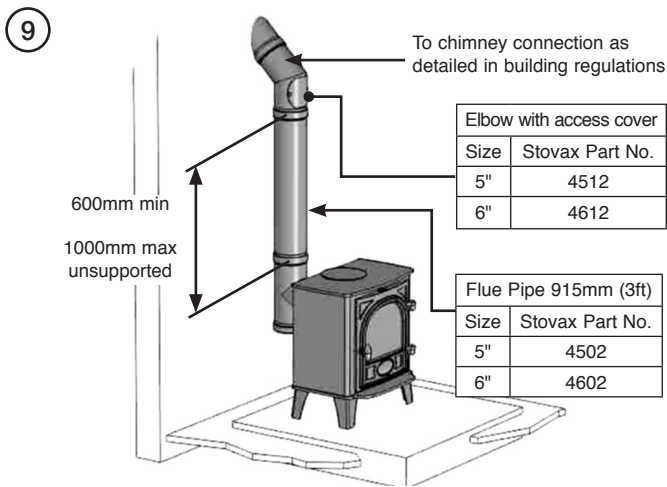
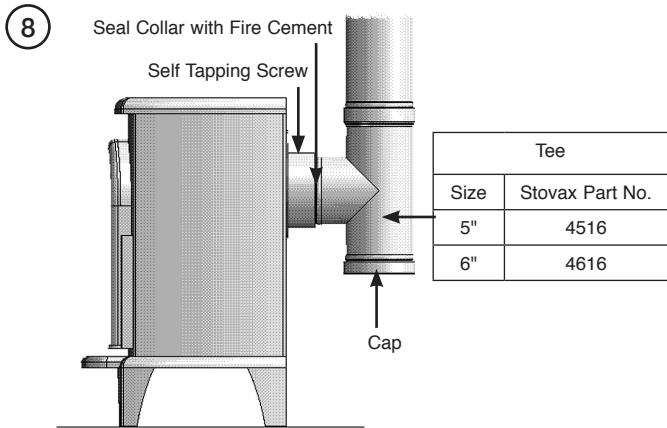
**i** The appliance is factory set with the blanking plate fitted on the rear outlet. The plate will need to be removed and fitted to the top of the appliance prior to installation.



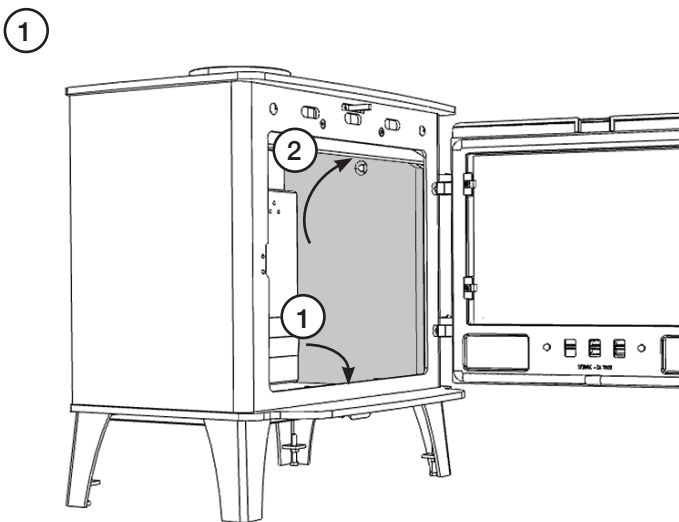
**!** **NOTE:** The Databadge must be refitted to the heat shield once installation is complete.





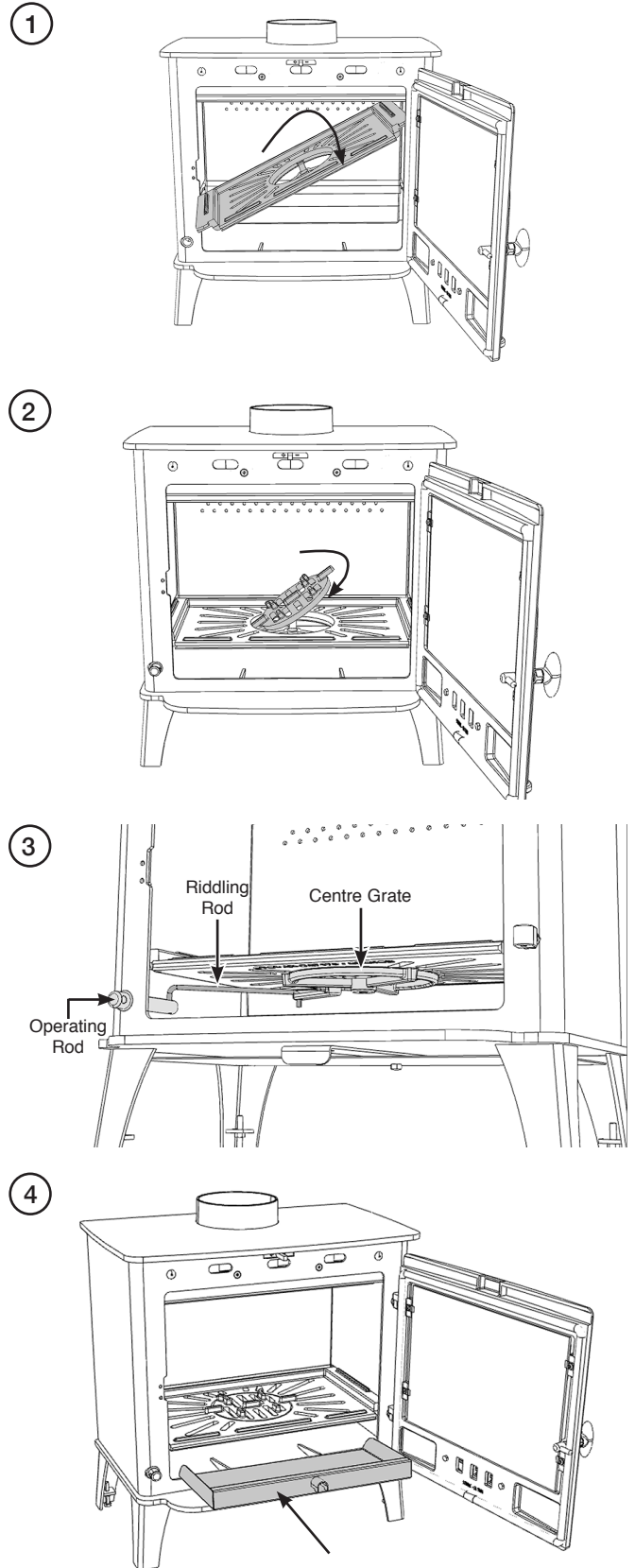


### REFITTING THE FIREBRICKS - WOOD MODELS

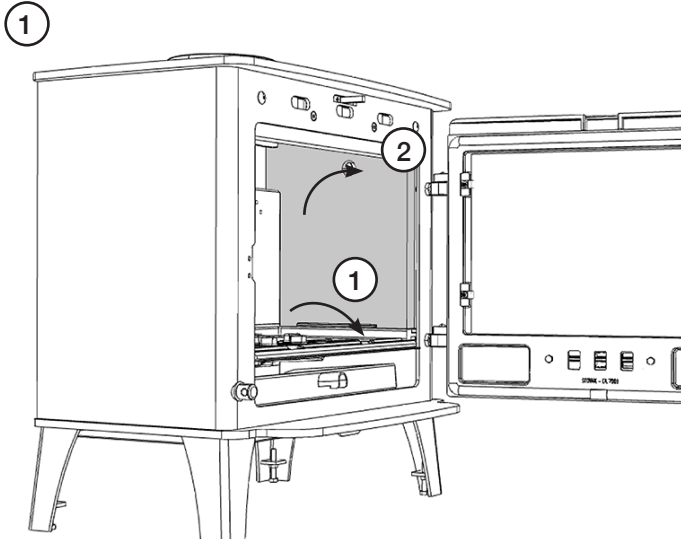


Repeat for the other side.

### REFITTING THE MULTI-FUEL GRATE (MULTI-FUEL MODELS ONLY)

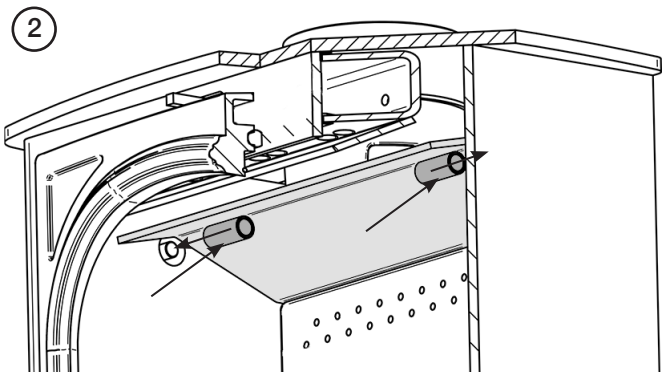
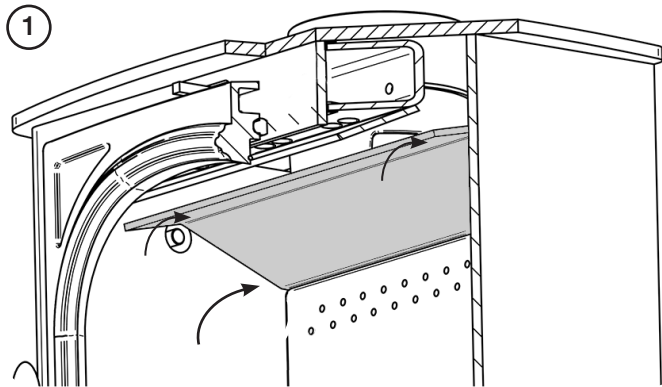
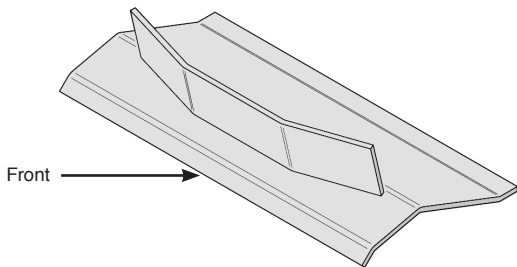


**REFITTING THE FIREBRICKS -  
MULTI-FUEL MODELS**

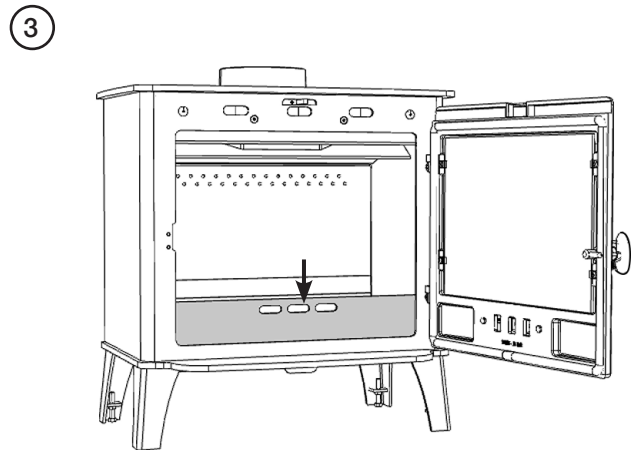
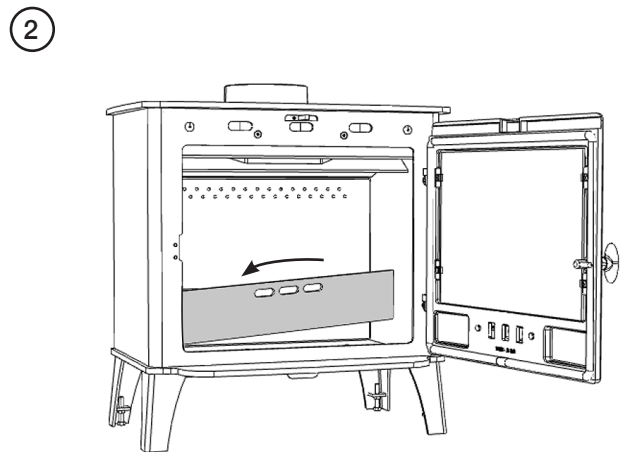
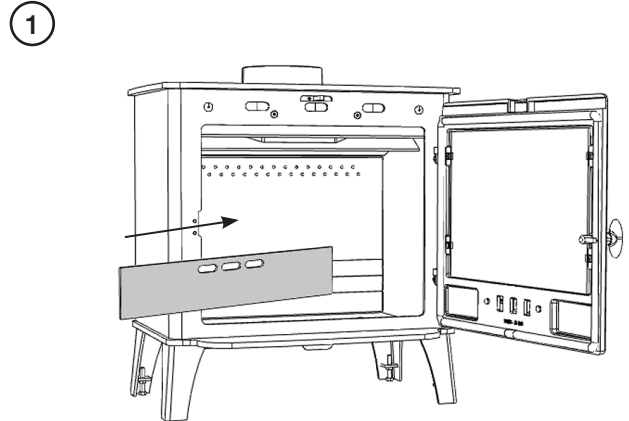


Repeat for the other side.

**REFITTING THE BAFFLE**



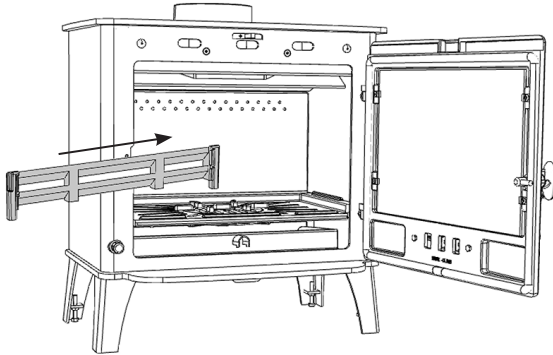
**LOG GUARD - WOOD MODELS**



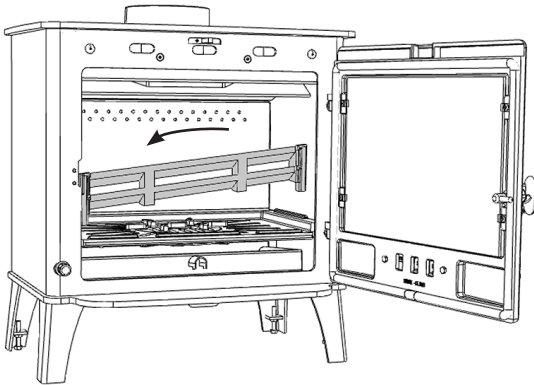


## LOG GUARD - MULTI-FUEL MODELS

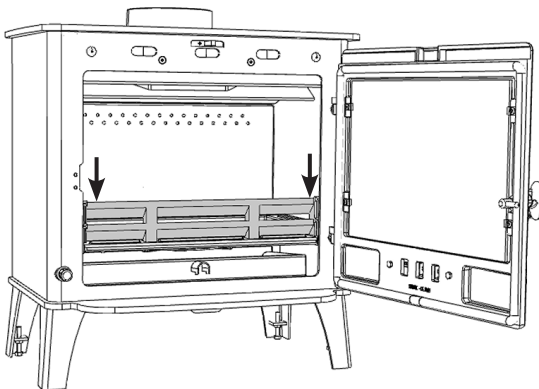
①



②



③



## CO ALARMS

All open flued appliances can be affected by temporary atmospheric conditions which may allow fumes to enter the house. **Building regulations require that whenever a new or replacement fixed solid fuel or wood/biomass appliance is installed in a dwelling a carbon monoxide alarm, complying with BS EN50291, must be fitted in the same room as the appliance. Further guidance on the installation of the carbon monoxide alarm is available in the latest edition of BS EN50292 and from the alarm manufacturer's instructions.**

HETAS recommend the unit is permanently fixed in accordance with the manufacturer's installation instructions or with the guidance contained in Approved Document J where no other information is available.

**Provision of an alarm must not be considered a substitute for either installing the appliance correctly or ensuring regular servicing and maintenance of the appliance and chimney system.**

## COMMISSIONING

To commission:

- Replace the internal components.
- Check the door alignment and catch operation and adjust if required.
- Check the soundness of door seals, castings and joints.
- Check the operation of the air controls.

Now carry out a final smoke draw test:

- Warm the flue with a blowlamp, or similar, for about 10 minutes.
- Place a smoke pellet on the centre of the grate, with the air controls open.
- Close the door. Smoke should now be drawn up the flue and be seen to exit from the flue terminal.
- Complete test with all doors and windows closed in the room where the appliance is fitted.
- If there are any extractor fans in adjacent rooms the test must be repeated with the fans running on maximum and with interconnecting doors open.
- Check the effect of ceiling fans during the test.

If the test fails, re-check the suitability of the flue system and ventilation. An inadequate air supply to the room is potentially dangerous.

- Light the appliance and slowly increase the temperature.
- Ensure no combustion products enter the room.
- Open the main fire door when the appliance reaches operating temperature and carry out a spillage test with a smoke match or pellet around the door opening.

If excessive spillage occurs allow the appliance to cool and re-check the flue system and ventilation.

Finally:

- Explain to the user the correct operation of the appliance, use of the controls and the importance of only using suitable fuels in order to reduce smoke emissions - particularly if they live in a Smoke Control Area.
- Ensure that a CO alarm has been fitted and make the user aware of its operation and importance, referring them to the Warning section on page 5 of the User Instructions.
- Explain the cleaning and routine maintenance requirements.

– Explain the requirement to use a suitable fireguard when children, elderly or infirm persons are near the appliance.

– Record retailer/supplier and installer details in Appliance Commissioning Checklist.

– Record serial number in Appliance Commissioning Checklist.

This number is required when ordering spare parts and making warranty claims.

– Give this instruction manual to the customer.

## SERVICING

For a complete list of spare parts and accessories contact your Stovax or call 01392 474011

Before the start of the heating season strip, inspect and clean the appliance as detailed:

- Allow appliance to cool.
- Remove all internal parts: baffle, log guard, cast bases and firebricks.  
Take care handling firebricks as they can become fragile after a period of use.
- Sweep the appliance at this point if necessary.
- Vacuum clean any remaining ash and debris from the inside of the appliance. Stovax offer a filter/collection attachment for vacuum cleaners to protect them from fire ash: Ash Clean (Stovax Part No. 2091).
- Check the parts for any damage. Replace any damaged parts using genuine Stovax replacements parts.
- Check and clean the firebricks with a soft brush.  
Some surface damage will occur during use. The life of the bricks will depend on the type of fuels burnt and the level of use.  
**Replace damaged bricks as soon as possible.**
- Re-fit cleaned internal parts.
- **Use Stovax Glass or Gel Cleaner.**  
  
**Do not use abrasive cleaners to remove tar or soot deposits from the glass.**
- Fit new door rope seal.
- Lightly oil the door catch mechanism and hinge pins. Avoid getting oil onto the door seals and glass.
- To refresh painted finishes a touch up spray is available.  
Contact your Stovax retailer quoting the serial number found on the appliance data badge.

Use genuine Stovax replacement parts to keep the appliance in safe, efficient working order. This is a list of the maintenance products that may need be required:

Products to assist in the cleaning and maintenance of your Stockton are available online at [www.stovax.com](http://www.stovax.com) or from your local Stovax dealer which, along with regular maintenance and use of correct fuels, will keep the appliance in the best possible condition.

For more information about the Stovax Group products please visit our web site at [www.stovax.com](http://www.stovax.com)

Burn at a low temperature for the first day of use after any maintenance. This allows the seals, fixing glues and paint to fully cure.

During this time the appliance may give off some unpleasant odours. Keep the room well ventilated to avoid a build-up of fumes.

Your Stovax dealer can carry out service and maintenance.

TASK	PRODUCT NAME	NO.
<b>Preventing build-up of creosote in flue</b>	Protector (15 sachets)	7002
	Protector (1kg tub)	7025
<b>Sealing flue pipe joints</b>	Fire Cement (500g tub)	2024
	Fire Cement (600g cartridge)	2021
<b>Re-painting</b>	Touch Up Paint (150ml aerosol)	2056
<b>Protecting your hands</b>	Heat resistant leather gloves	4008 4027 - Long
<b>Thermic seal glue</b>	(50ml bottle)	5037
<b>Cleaning Glass</b>	Stovax Glass Cleaner	4103
	Stovax Gel Cleaner	4111
<b>Ash Clean</b>	Vacuum Cleaner Attachment	2091M

## FITTING A NEW DOOR GLASS

To maintain safe use of the appliance damaged door glass must be replaced immediately.

Remove the door by opening and lifting the door free of the hinge blocks. Note the hinge pins are fixed to the door castings.

Lay the door face down on a soft flat surface to protect the paintwork and glass.

Remove the glass fixing clips and screws. The old glass can then be lifted clear of the door.

**Note how the 3mm sealing rope is placed between the glass and the door.**

**Dispose of the old glass safely.**

Clean and re-paint the rear of the door if required.

Clean the screws with light oil and coat with high temperature anti-seize grease to aid future removal.

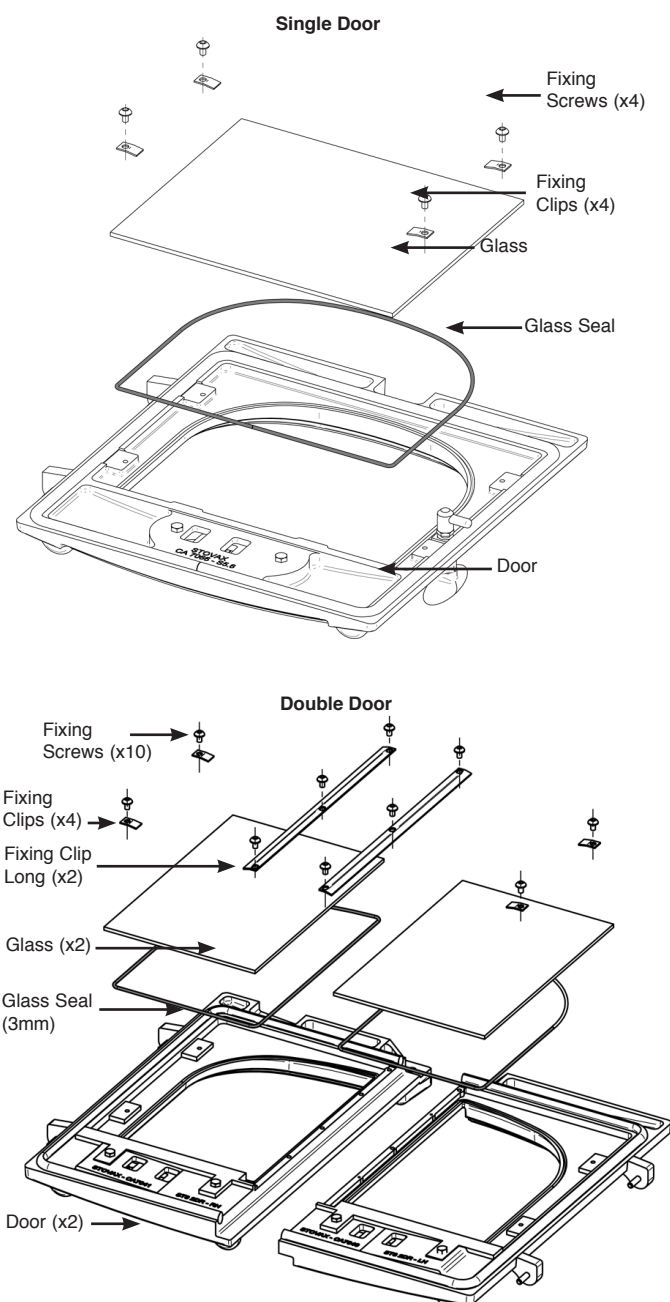
Fit a new sealing rope and place the glass into position in the door.

Place the glass fixing clips into position and re-fix with the clean fixing screws, tightening the screws evenly until glass is held securely.

**Do not over tighten the screws as this could break the glass.**

Fit only original Stovax ceramic glass, which is suitable to use in high temperature applications.

Using the appliance with damaged door glass could cause dangerous fumes to enter the room or the appliance to over-fire resulting in damage.



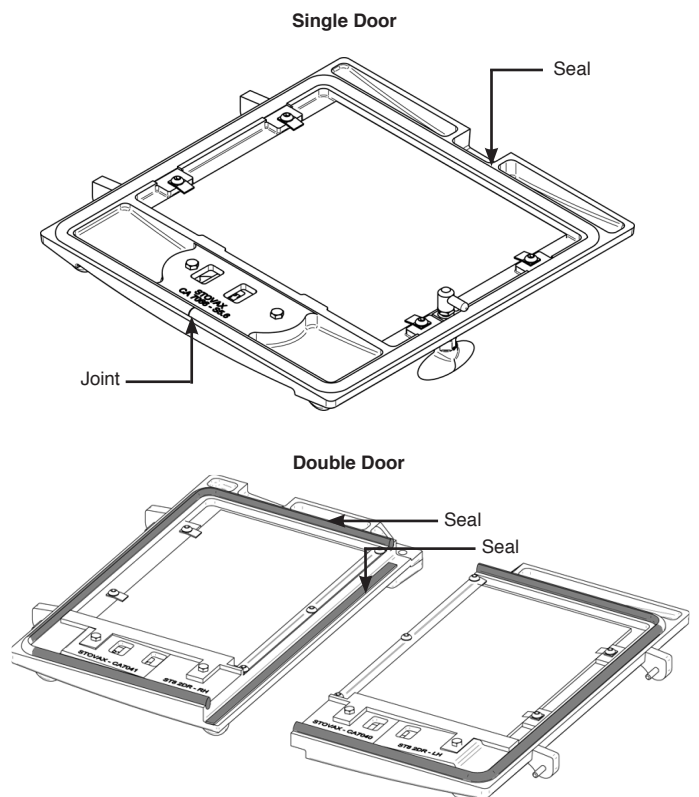
## FITTING A NEW DOOR SEAL

To maintain the safe use of the appliance damaged or worn door sealing rope must be replaced.

Remove the door by opening and lifting the door free of the hinge blocks. Note the hinge pins are fixed to the door castings.

Lay the door face down on a soft, flat surface to protect the paintwork and glass.

Remove old rope and scrape old glue from locating groove.



Clean the locating groove with a clean, dry cloth to remove all old dust and debris.

Squeeze a generous bead of fresh Stovax Thermic Seal glue into the rope locating groove.

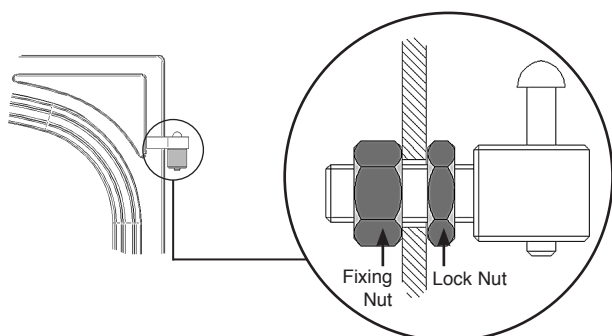
Press the new Stovax rope into the locating groove, placing the joint in the middle of the lower edge of the door.

Refit door and close to apply pressure to new rope.

Leave the door(s) closed for at least 12 hours before lighting the appliance and run at a low temperature for approximately one day. This allows the adhesive to fully bond to the seal.

Using the appliance with a damaged door seal can cause dangerous fumes to enter the room, or the appliance to over fire resulting in damage.

## ADJUSTING THE DOOR HINGES

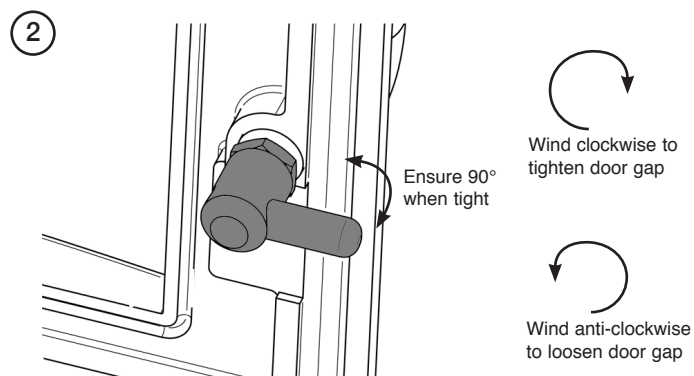
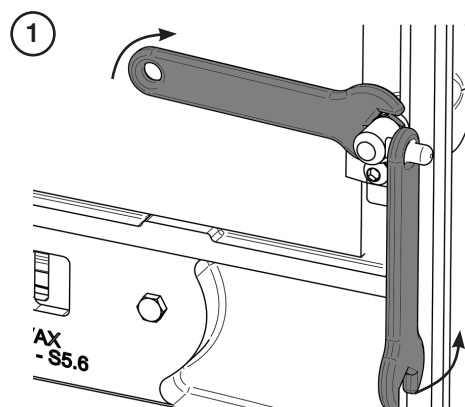
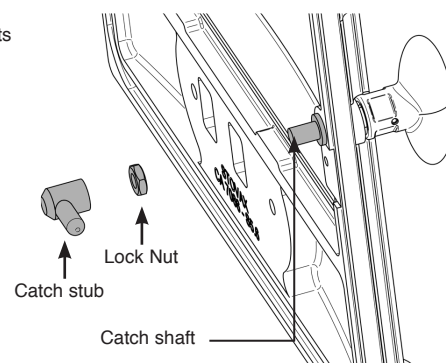


## ADJUSTING THE DOOR CATCH

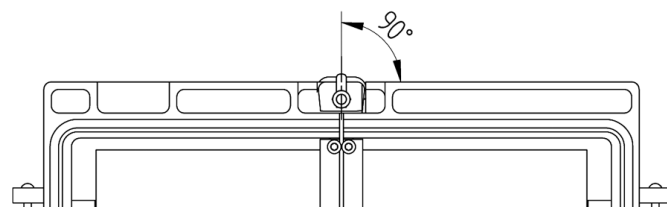
The door catch can be adjusted as required to move the door in or out to achieve effective sealing. It is also possible to adjust the catch to ensure the handle aligns vertically when shut.

The catch is held in place by a screw thread which can be turned to tighten or loosen. Following alteration ensure the catch stub sits at 90° to the door knob to ensure the door knob is in a vertical position when the door is shut. Lock the nut and catch stub tightly together to fix this position.

The following parts can be altered



This process is the same for 1 and 2 door models, however on 2 door models the catch must sit vertical at 90° to the top of the door.



## LOOSE CATCH STUB

This maintenance should not require any new parts (if parts are missing they are likely to have fallen into the ash in the firebox).

**Warning: Ash can remain hot long after the appliance has been in use.**

Open the door.

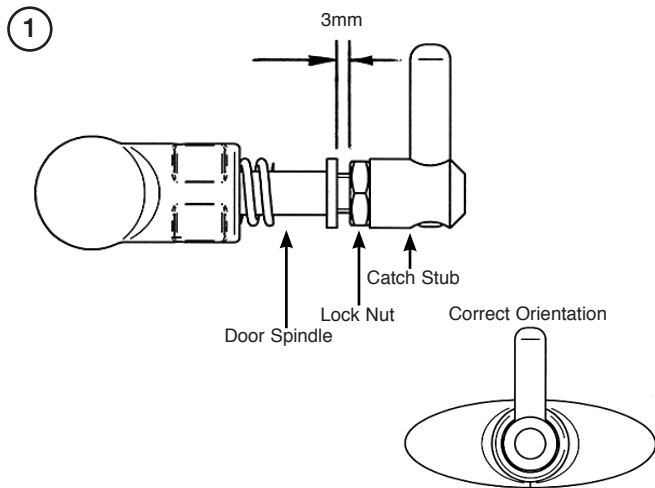
If it cannot be opened, pull the door with one hand while turning the handle anticlockwise. This will unscrew the catch stub. Continue turning until the catch stub comes off the spindle and the door can be opened.

Retrieve the catch stub from inside the appliance.

**Warning: Ash can remain hot long after the appliance has been in use.**

Check that the lock nut is still attached to the door spindle. If it is missing it is likely to have fallen into the appliance. Retrieve and reattach if necessary.

Screw the lock nut on to the door spindle, leaving a 3mm gap between the face of the nut and the spindle face.



Screw the catch stub up to the lock nut. Ensure the correct orientation of the pin and knob.

## ROLL PIN FAILURE

Remove the door handle.

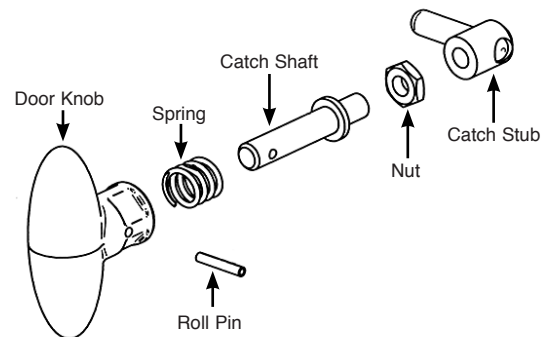
If the door cannot be opened, push it against the appliance body to take pressure off the catch. Protect the catch shaft and use pliers as a temporary handle to open the door.

Remove the door from the appliance.

Using a 3mm pin punch, remove the old pin from the handle and spindle.

Ensuring that the spring is in place, use the pin punch as a guide to line up the holes and tap the new pin in to place with a small hammer.

**Note orientation.**



Check the door catch operation and tightness of the lock nut. Adjust if required.



## LEGAL REQUIREMENTS

Before installation and/or use of this appliance please read these instructions carefully to ensure that all requirements are fully understood.

**The appliance must be fitted by a registered installer, or approved by your local building control officer.**

It is very important to understand the requirements of the national Building Regulations and standards, along with any local regulations and working practices that may apply. Should any conflict occur between these instructions and these regulations then the regulations must apply.

Your local Building Control Office can advise regarding the requirements of the regulations.

Works must be carried out with care to meet the requirements of Health and Safety and comply with the Health and Safety rules, and any new regulations introduced during the lifetime of these instructions. Particular attention should be drawn to:

- **Handling:** The appliance is heavy. Adequate facilities must be available for loading, unloading and on site handling.
- **Fire Cement:** Some fire cement is caustic and must not come into contact with the skin. Protective gloves must be worn. Wash hands thoroughly with plenty of water after contact with skin.
- **Asbestos:** This appliance contains no asbestos. If there is the possibility of disturbing any asbestos in the course of installation seek specialist guidance and use appropriate equipment.
- **Metal Parts:** Take care when installing or servicing the stove to avoid personal injury.

**A faulty installation can cause danger to the inhabitants and structure of the building.**

**For users of this appliance:**

Your building insurance company may require you to inform them that a new heating appliance has been installed on your property. Check that your cover is still valid after installing the appliance.

## FLUE OR CHIMNEY

The flue or chimney system must be in good condition. It must be inspected by a competent person and passed for use with the appliance before installation.

Products of combustion entering the room can cause serious health risks.

The following must be checked:

- The construction of the masonry chimneys, flue block chimneys and connecting flue pipe system must meet the requirements of the Building Regulations.
- A flexible flue liner system can be used if certified for use with solid fuel systems and installation complies with manufacturer's instructions and Building Regulations. The flue liner must be replaced when an appliance is replaced, unless proven to be recently installed and in good condition.

- If it is necessary to fit a register plate it must conform to the Building Regulations.
- The minimum height of the flue or chimney must be 4.5m from the hearth to the top of the flue, with no horizontal sections and a maximum of 4 bends. Bends must have angles of less than 45 degrees from the vertical.
- There should be at least 600mm of vertical flue pipe above the appliance before any bends are introduced.
- Ensure the connecting flue pipe is kept a suitable distance from any combustible material and does not form part of the supporting structure of the building.
- The installer must ensure the flue pipe diameter is not less than the diameter of the outlet of the appliance and does not narrow to less than the size of the outlet at any point in the system.
- Make provision to remove the appliance without the need to dismantle the chimney.
- Any existing flue must be confirmed as suitable for the new intended use as defined in the Building Regulations.
- The flue or chimney systems must be inspected and swept to confirm the system is structurally sound and free from obstructions.
- If the chimney is believed to have previously served an open fire it must be swept a second time within a month of regular use after installation to clear any soot falls that may have occurred due to difference in combustion levels.
- The flue exit from the building must comply with local building control rules.
- Chimney heights and/or separations may need to be increased in particular cases where wind exposure, surrounding tall buildings, high trees or high ground could have adverse effects on flue draught.
- Do not connect or share the flue or chimney system with another heating appliance.

Do not connect to systems containing large voids or spaces over 230mm square.

Suitable access must be provided to enable the collection and removal of debris.

The flue must be swept and inspected when the appliance is installed.

### Flue Draught

The flue draught must be checked with all windows and doors closed and any extraction fans in this, or adjoining rooms, running at maximum speed (see Installation Checklist for ventilation requirements).

## TWIN WALL FLUE SYSTEM

**If this appliance is to be used in conjunction with a twin wall flue system then Stovax recommend the use of their Professional XQ range. Details of this product are available from your Stovax retailer.**

## VENTILATION

Many older buildings are sufficiently ventilated by natural leakage of air to provide suitable air supply for an appliance of 5kW output or less.

Modern building techniques have reduced the amount of air that leaks in or out of a house. A modern construction with an air tightness of less than 5m<sup>3</sup> per hour per m<sup>2</sup> requires an air vent for **ALL** solid fuel appliances including those with a rated heat output of less than 5kW.

**NOTE:** The air leakage of a modern house is tested at the completion of construction and a certificate issued confirming this.

This appliance requires a constant supply of air to maintain proper combustion and effective flue performance.

An inadequate air supply can result in poor combustion and smoke entering the room which is potentially dangerous.

This supply of air can come from either:

- Purpose provided ventilation.
- Some Stovax appliances can also be fitted with an optional outdoor air kit which allows air to be drawn in from the outside.

The amount of air required must comply with local building regulations and the rules in force.

If spillage is detected during commissioning then there may be insufficient natural ventilation and an additional air supply will be necessary.

Permanent air vents should be non-adjustable and positioned where they are unlikely to become blocked.

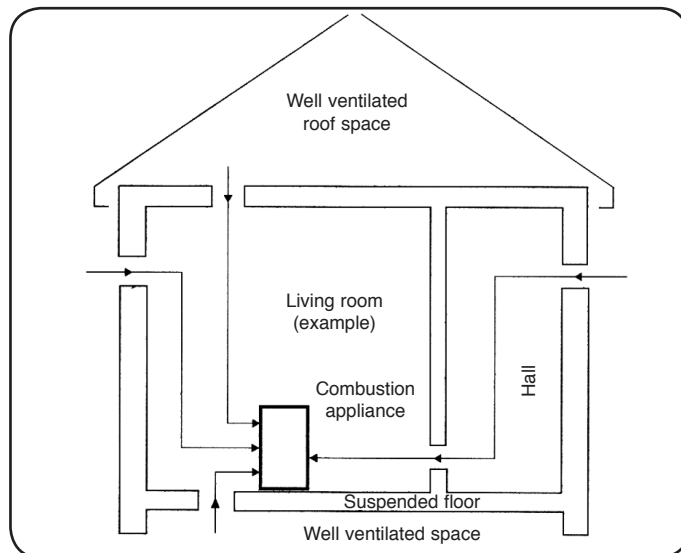
If vents open into adjoining rooms or spaces there must be an air vent of at least the same size direct to the outside.

Site the vents where cold draught is unlikely to cause discomfort. This can be avoided by placing vents near ceilings or close to the appliance (See diagram).

Extractor fans or cooker hoods must not be placed in the same room or space as this can cause the appliance to emit fumes into the room.

Increase air supply provisions where a room contains multiple appliances.

**If any checks reveal problems do not proceed with the fitting of the appliance until they have been rectified.**



## BUILDERS OPENING

Many fireplace openings have a supporting lintel. Remove the covering plaster to identify its position before starting any constructive work. Do not remove constructional lintels without making provision to support the remaining structure of the building. The appliance must not form any part of the supporting structure.

The chimney/flue must have a sealed connection to the appliance flue spigot.

The structure of the builders opening will reach high temperatures. Use insulating blockwork to reduce the heat transfer to the external walls.

Take care when finishing the chimney breast and surrounding area. The conducted and convected heat emitted by the appliance could be high enough to crack normal plaster. Use a high temperature plaster, or face the area with a suitable non combustible board avoiding any joints above the appliance. New plaster should be fully dried before the appliance is used, or cracking could occur.

If you are in any doubt about your ability to produce a safe opening contact your Stovax dealer for professional advice.

## FIRE SURROUND CLEARANCES

We recommend you obtain expert advice before proceeding with work of this nature.

Some finishes may discolour with heat and some lower quality products may distort, or crack, when in use.

If stone / granite / marble or any other natural material is used to construct the fire surround, or any part of it, provision should be made for expansion and movement of the parts due to heating and cooling.

If you are in any doubt about the installation requirements, or suitability of fire surrounds contact your Stovax dealer.

All fire surrounds should be suitable for use with solid fuel heating products.

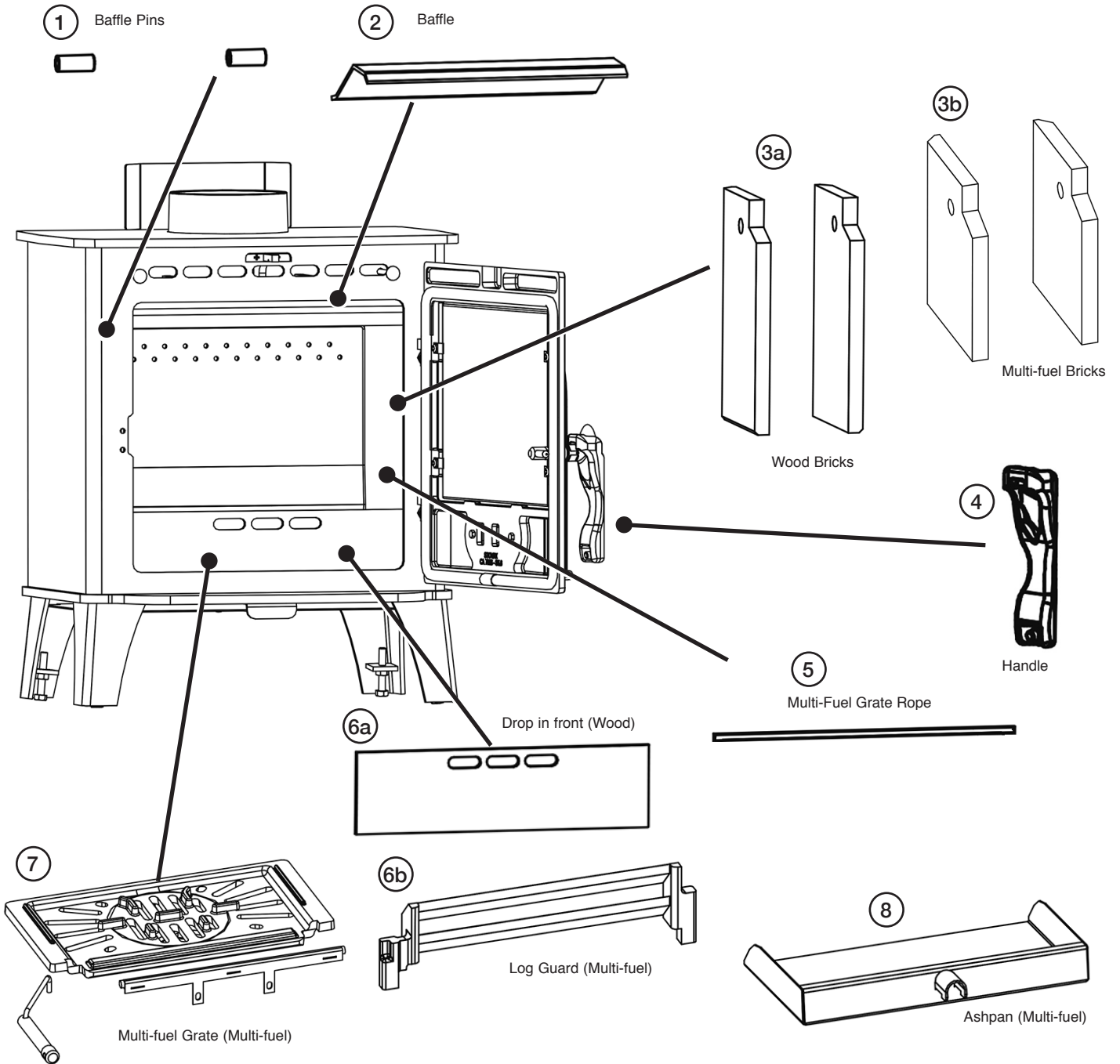


## PRODUCT FICHE - INFORMATION REQUIREMENT FOR SOLID FUEL LOCAL SPACE HEATER

Model	Stockton 4 ECO Wood	Stockton 5 ECO Wood	Stockton 8 ECO Wood	Stockton 11 ECO Wood
Direct Efficiency Class	A	A	A	A
Direct Heat Output (kW)	4.9	5.0	8.3	11.3
Indirect Output (kW)	-	-	-	-
Energy Efficiency Index (EEI)	103	105	104	101
Useful Energy Efficiency at Nominal Heat Output	77.3%	78.9%	77.8%	76.2%
Safety Precautions	Appliance must be installed, Used and Maintained in accordance with the manufacturers instructions supplied			

Model	Stockton 3 ECO Multi-Fuel	Stockton 4 ECO Multi-Fuel	Stockton 5 ECO Multi-Fuel	Stockton 8 ECO Multi-Fuel
Direct Efficiency Class	A	A	A	A
Direct Heat Output (kW)	4.8	5.0	5.0	8.2
Indirect Output (kW)	-	-	-	-
Energy Efficiency Index (EEI)	103	104	101	101
Useful Energy Efficiency at Nominal Heat Output	77.1%	77.6%	76.0%	76.0%
Safety Precautions	Appliance must be installed, Used and Maintained in accordance with the manufacturers instructions supplied			

## SPARE PARTS

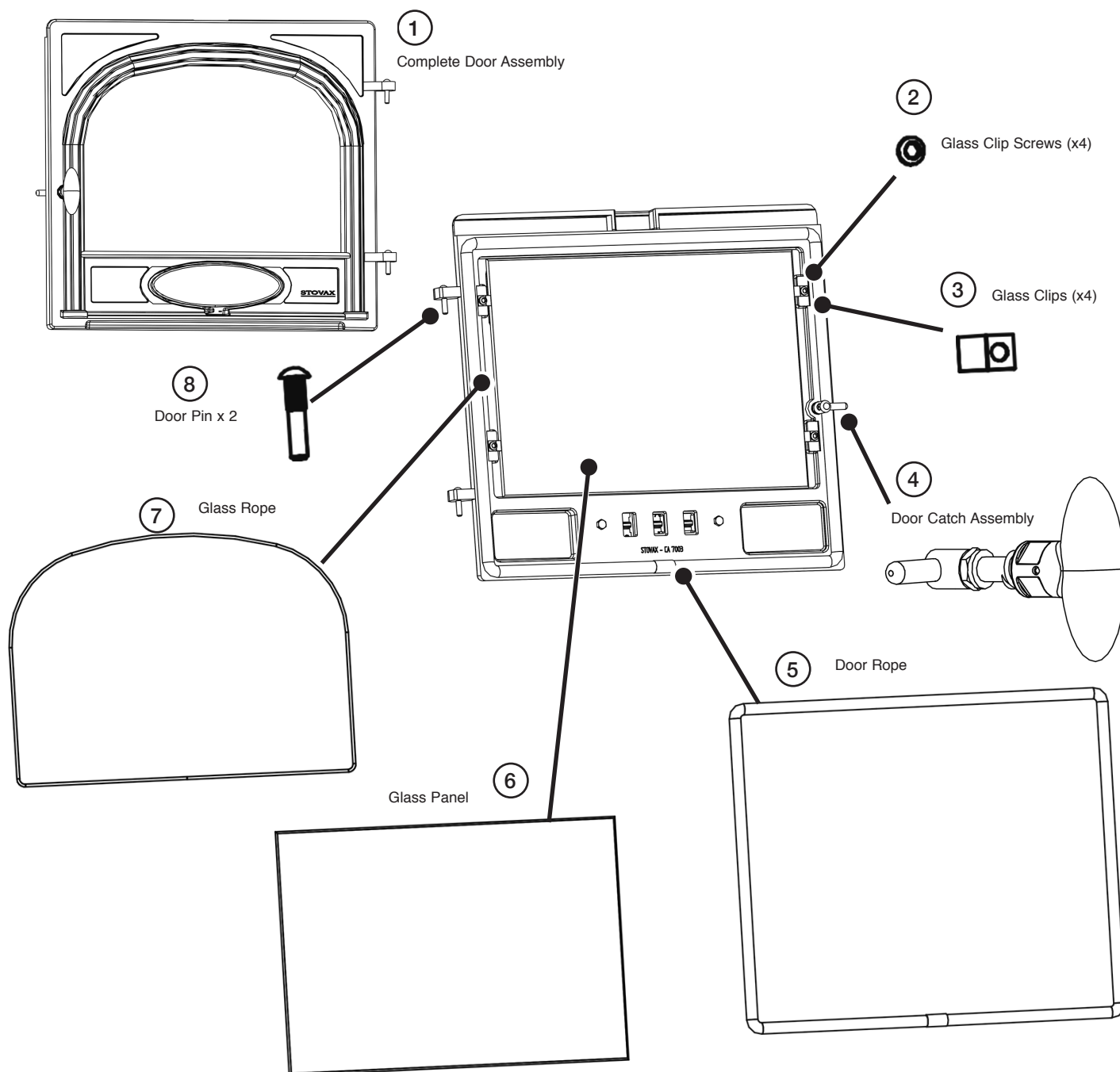


MODEL	1	2	3		4	5	6		7		8
			WOOD	MULTI-FUEL			WOOD	MULTI-FUEL	WOOD	MULTI-FUEL	
Stockton 3	ME601731	RA504862	-	MEC12026	CA7677	4998	-	CA7688	-	****	MEC9198
Stockton 4	ME601731	RA504862	MEC12028	MEC12027	CA7677	4998	ME600777	CA7688	-	****	MEC9198
Stockton 5	ME601731	MEC11838	MEC12030	MEC12029	CA7677	4998	ME600654	CA7678	-	****	MEC9023
Stockton 8	ME601731	MEC11857	MEC12033	MEC12032	CA7677	4998	ME600682	CA7682	-	****	MEC9061
Stockton 11	ME601731	MEC11869	MEC12034	-	CA7677	-	ME600841	-	-	-	-


**i** Due to continual technical improvements please check online or with your Stovax retailer for the most up to date parts lists.  
 Only use Genuine Stovax spares when servicing your appliance.  
 All of our essential spare parts and consumable items are available to purchase from our webshop at [www.stovaxspares.com](http://www.stovaxspares.com).

\*\*\*\* - SEE SEPARATE PAGE

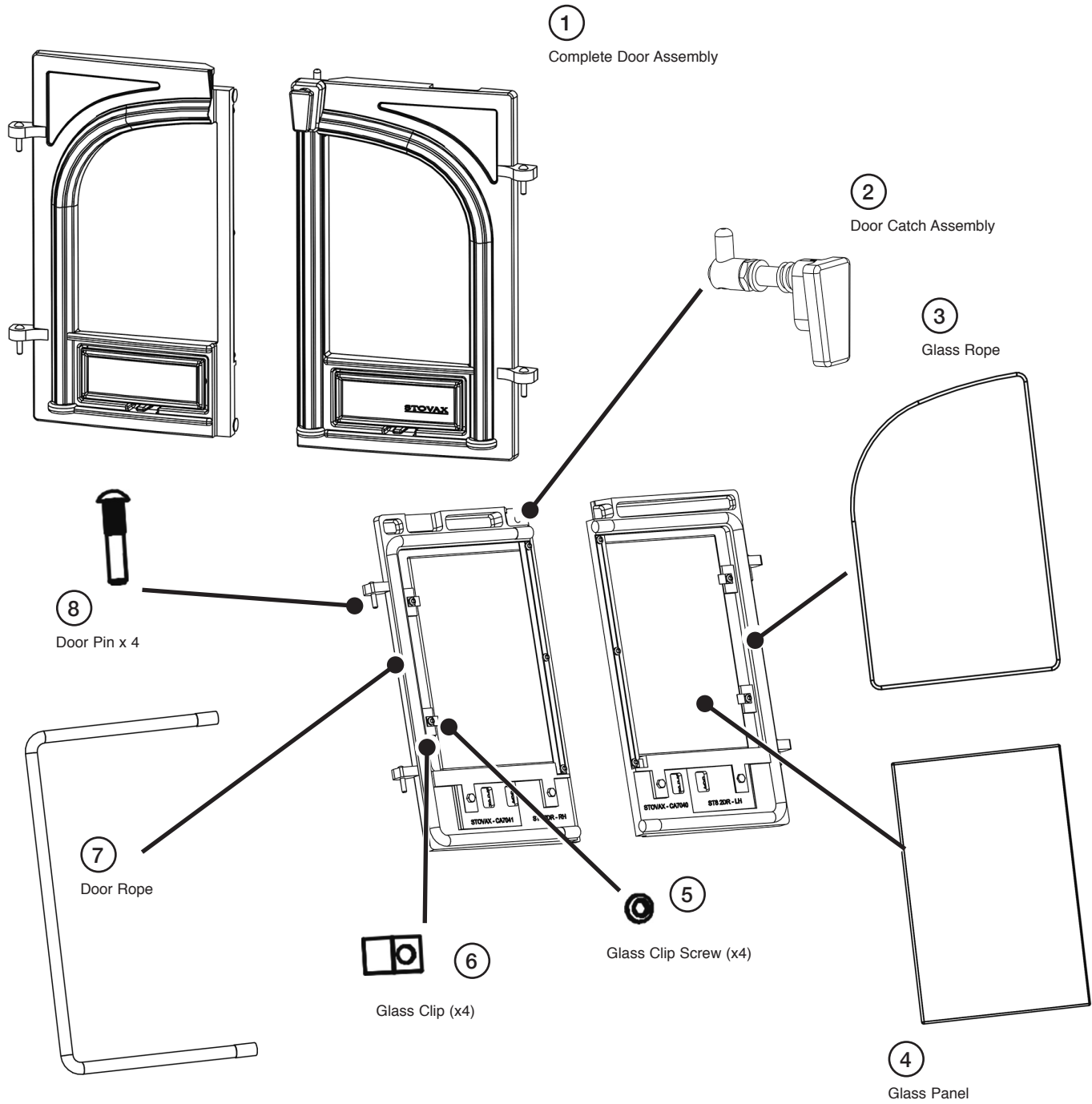
## DOOR ASSEMBLY - 1 DOOR



MODEL	1	2	3	4	5	6	7	8
Stockton 3	MEC11728	M0508BUTH	RA502594	MEC9021	4999	CE7025	4975	SM20
Stockton 4	MEC11776	M0508BUTH	RA502594	MEC9021	4999	CE7017	4975	SM20
Stockton 5	MEC11733	M0508BUTH	RA502594	MEC9021	4999	CE7024	4975	SM20
Stockton 8	MEC11770	M0508BUTH	RA502594	MEC11085	4999	CE7005	4975	SM20
Stockton 11	MEC11867	M0508BUTH	RA502594	MEC9362	4999	CE7012	4975	SM20

 Due to continual technical improvements please check online or with your Stovax retailer for the most up to date parts lists.  
 Only use Genuine Stovax spares when servicing your appliance.  
 All of our essential spare parts and consumable items are available to purchase from our webshop at [www.stovaxspares.com](http://www.stovaxspares.com).

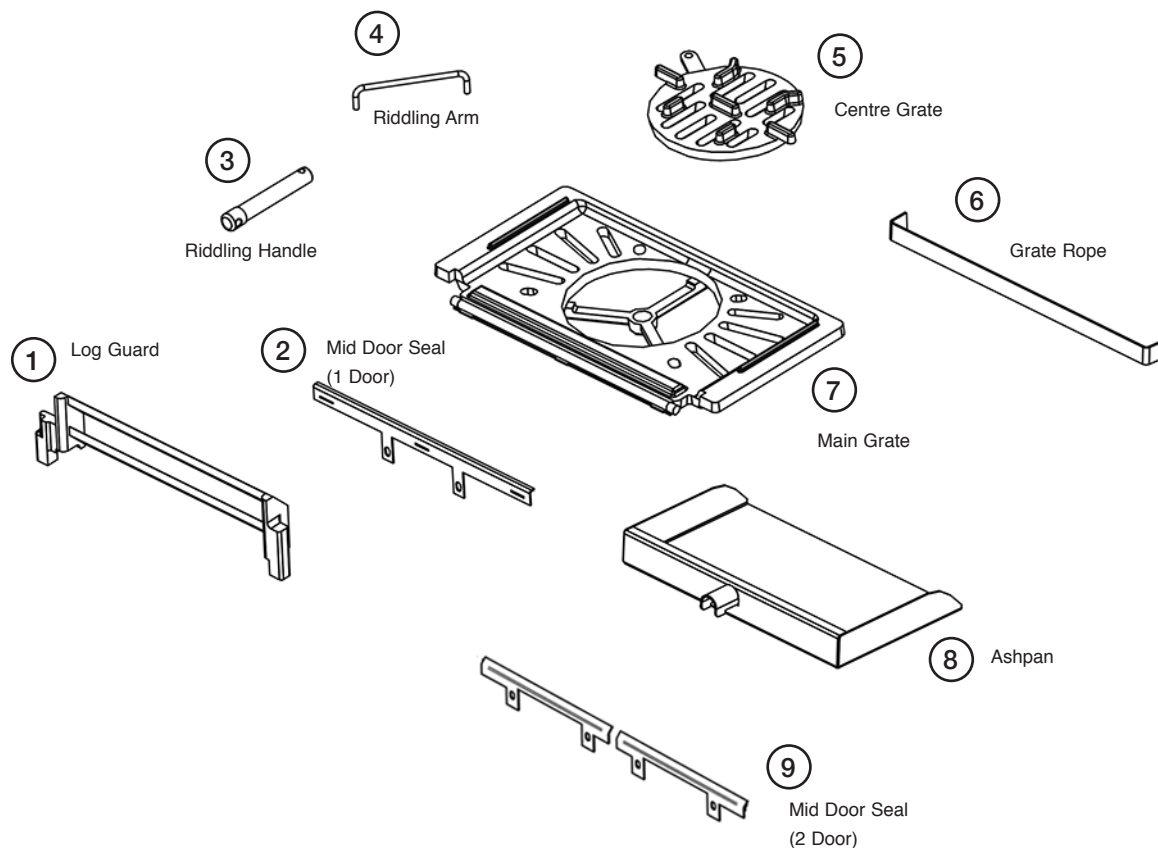
## DOOR ASSEMBLY - 2 DOOR



MODEL	1	2	3	4	5	6	7	8
Stockton 8	MEC11788	MEC9069	4975	CE7018	M0508BUTH	RA502594	4999	SM20
Stockton 11	MEC11875	MEC9069	4975	CE7019	M0508BUTH	RA502594	4999	SM20

**i** Due to continual technical improvements please check online or with your Stovax retailer for the most up to date parts lists.  
 Only use Genuine Stovax spares when servicing your appliance.  
 All of our essential spare parts and consumable items are available to purchase from our webshop at [www.stovaxspares.com](http://www.stovaxspares.com).

## MULTI-FUEL ASSEMBLY



MODEL	1	2	3	4	5	6	7	8	9
Stockton 3	CA7688	MEC11727	ME600650	RA502736	SMN37	4998	SMN36	MEC9198	-
Stockton 4	CA7688	MEC11727	ME600650	RA502736	SMN37	4998	SMN36	MEC9198	-
Stockton 5	CA7678	MEC11732	ME600650	RA502598	SMN37	4998	S5.53CE	MEC9023	-
Stockton 8	CA7682	MEC11784	ME600650	RA502641	SMN37	4998	SM64CE	MEC9061	MEC11789



Due to continual technical improvements please check online or with your Stovax retailer for the most up to date parts lists.

Only use Genuine Stovax spares when servicing your appliance.

All of our essential spare parts and consumable items are available to purchase from our webshop at [www.stovaxspares.com](http://www.stovaxspares.com).

## SERVICE RECORDS

### 1ST SERVICE

Date of Service:.....

Next Service Due:.....

Signed:.....

Dealer's Stamp/HETAS Registration Number

### 3RD SERVICE

Date of Service:.....

Next Service Due:.....

Signed:.....

Dealer's Stamp/HETAS Registration Number

### 5TH SERVICE

Date of Service:.....

Next Service Due:.....

Signed:.....

Dealer's Stamp/HETAS Registration Number

### 7TH SERVICE

Date of Service:.....

Next Service Due:.....

Signed:.....

Dealer's Stamp/HETAS Registration Number

### 9TH SERVICE

Date of Service:.....

Next Service Due:.....

Signed:.....

Dealer's Stamp/HETAS Registration Number

### 2ND SERVICE

Date of Service:.....

Next Service Due:.....

Signed:.....

Dealer's Stamp/HETAS Registration Number

### 4TH SERVICE

Date of Service:.....

Next Service Due:.....

Signed:.....

Dealer's Stamp/HETAS Registration Number

### 6TH SERVICE

Date of Service:.....

Next Service Due:.....

Signed:.....

Dealer's Stamp/HETAS Registration Number

### 8TH SERVICE

Date of Service:.....

Next Service Due:.....

Signed:.....

Dealer's Stamp/HETAS Registration Number

### 10TH SERVICE

Date of Service:.....

Next Service Due:.....

Signed:.....

Dealer's Stamp/HETAS Registration Number



**FOR ENQUIRIES IN THE U.K (EXCLUDING NI):**

**Stovax Ltd, Osprey Road, Sowton Industrial Estate, Exeter, Devon, England EX2 7JG**

**Tel: (01392) 474011 Fax: (01392) 219932 E-mail: [info@stovax.com](mailto:info@stovax.com) [www.stovax.com](http://www.stovax.com)**

**FOR ENQUIRIES IN EUROPE (INCLUDING NI):**

**Stovax Heating Group Ltd, 40 Linenhall Street, Belfast, BT2 8BA | DX 400 NR Belfast**

**Tel: +44 (0)1392 261990 Fax: +44 (0)1392 444148 E-mail: [northernireland@stovax.com](mailto:northernireland@stovax.com)**

