



VARDE OVNE

---

# Samsø Freestanding Stove

---

## Installation and User Guide



### IMPORTANT

THE OUTER CASING, FRONT AND GLASS PANEL BECOME EXTREMELY HOT DURING OPERATION AND WILL RESULT IN SERIOUS INJURY AND BURNS IF TOUCHED. IT IS THEREFORE RECOMMENDED THAT A FIREGUARD COMPLYING WITH BS 8423 (LATEST EDITION) IS USED IN THE PRESENCE OF YOUNG CHILDREN, THE ELDERLY OR INFIRM.

Do not attempt to burn rubbish in this appliance.

Please read these Instructions carefully before installation or use.

Keep them in a safe place for future reference and when servicing the fire.

The commissioning sheet found on page 3 of these instructions should be completed by the Installer.

---

## Samsø - Freestanding Stove

### Congratulations on purchasing your new stove.

Varde Ovne A/S are a Danish company specialising in functional, environmentally friendly and quality designed stoves.

Appliance Commissioning Checklist .....	3
Technical Specification .....	4
Regulations and Approval .....	4
<b>User Guide .....</b>	<b>5</b>
Wood Types.....	7
Air Supply .....	8
Operation.....	8
How to Light and Maintain a Fire .....	11
<b>Installation Instructions.....</b>	<b>13</b>
Flooring .....	13
Clearances .....	13
Chimney .....	14
<b>Maintenance.....</b>	<b>15</b>
Troubleshooting.....	18
Spare Parts .....	19
Information Requirement.....	21

# Appliance Commissioning Checklist

To assist us in any guarantee claim please complete the following information:-

## Dealer appliance was purchased from:

Name:

Address:

Telephone number:

## Essential information - MUST be completed:

Date Installed:

Model Description:

Serial Number:

## Installation Engineer:

Company Name:

Address:

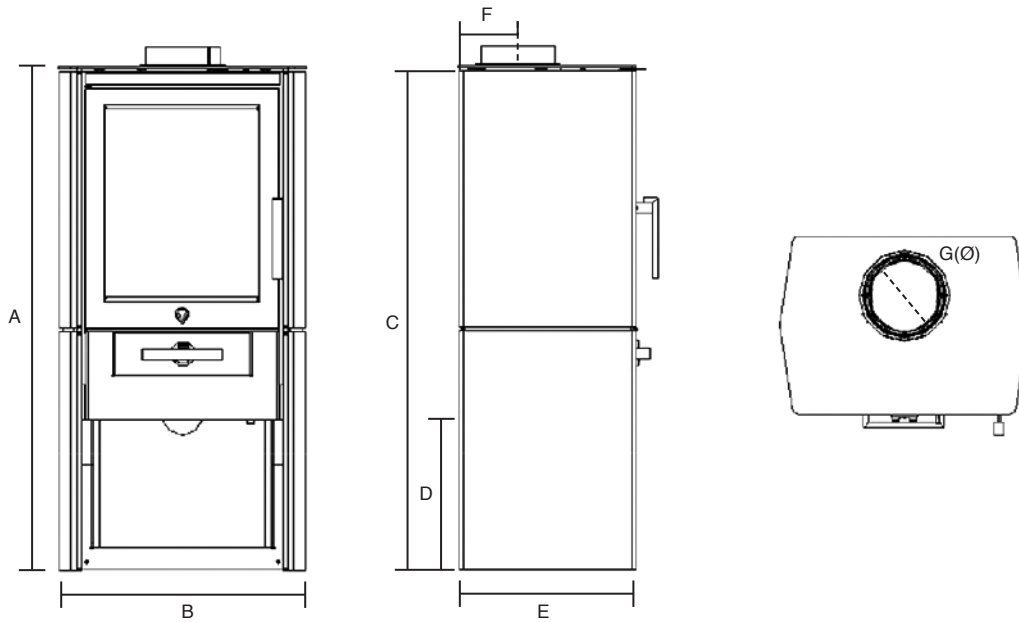
Telephone number:

## Commissioning Checks - to be completed and signed:

Is flue system correct for the appliance:	YES <input type="checkbox"/>	NO <input type="checkbox"/>
Flue swept and soundness test complete:	YES <input type="checkbox"/>	NO <input type="checkbox"/>
Smoke test completed on installed appliance	YES <input type="checkbox"/>	NO <input type="checkbox"/>
Spillage test completed	YES <input type="checkbox"/>	NO <input type="checkbox"/>
Use of appliance and operation of controls explained	YES <input type="checkbox"/>	NO <input type="checkbox"/>
Clearance to combustibile materials checked	YES <input type="checkbox"/>	NO <input type="checkbox"/>
Instruction book handed to customer	YES <input type="checkbox"/>	NO <input type="checkbox"/>
CO Alarm Fitted	YES <input type="checkbox"/>	NO <input type="checkbox"/>

Signature: ..... Print Name: .....

## Technical Specification Samsø



### Dimensions

	mm
<b>A</b>	1000
<b>B</b>	487
<b>C</b>	990
<b>D</b>	310
<b>E</b>	349
<b>F</b>	115
<b>G</b>	150 Ø

Height (mm)	1000
Width (mm)	487
Depth (mm)	349
Weight (Kg)	80

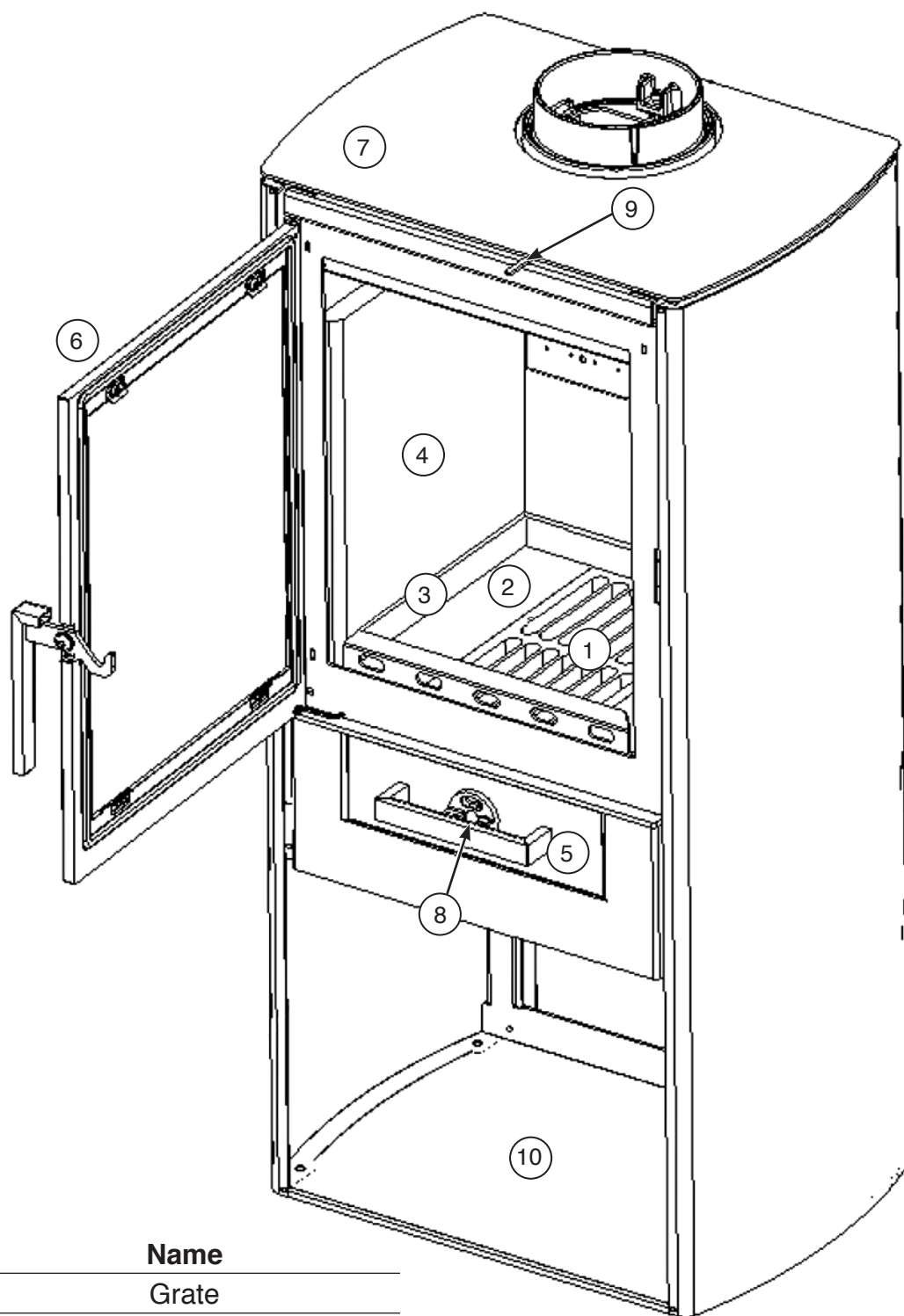
Technical Information - Solid Fuel	Wood	Solid Fuel
Nominal Output	5kW	5kW
Energy efficiency	80%	83%
CO emission in products of combustion	0.09%	0.05%
Flue gas mass flow	3.8g/k	3.1g/k
Flue gas temperature (°C)	295°C	230°C

Combustion Chamber: (H x W x D):  
260/380x200/300x300mm  
Flue outlet Ø 150mm (Mounting top height: ~990mm)

Distance to non-combustible:  
50-100mm (recommended)

Distance to combustible walls/materials:  
Rear = 500mm, Sides = 300mm, Front = 800mm

**Operation:**



	<b>Name</b>
<b>1</b>	Grate
<b>2</b>	Base
<b>3</b>	Brick Protector
<b>4</b>	Vermiculite Panels
<b>5</b>	Ash Tray
<b>6</b>	Cast Iron Door
<b>7</b>	Steel Top
<b>8</b>	Primary Air Control
<b>9</b>	Airwash Control
<b>10</b>	Storage

---

**Important:**

Before installation and/or use of this appliance please read these instructions fully and carefully to ensure that you have fully understood their requirements. Contact your local building authorities or Varde Ovne supplier if you are unsure of the existing regulations regarding the installation of your stove.

**Installation Inspection:**

The installation must be approved by a suitably qualified person before initial use.

This Varde Ovne stove has passed the Danish/European standard DS/EN13240 Norwegian (NS) and the German (Stufe 2) testing, and has been proved to be an environmentally friendly product.

**Regulations:**

All local regulations, including those referring to national and European Standards need to be complied with when installing the appliance.

All Varde Ovne stoves are closed fireplaces.

The stove is designed for intermittent use and can be connected to a chimney system used by other appliances, providing that the appropriate rules and regulations are met.

Outer casings, fronts and glass panels become extremely hot during operation and will result in serious injury and burns if touched. It is therefore recommended that a fireguard complying with BS 8423 (Latest Edition) is used in the presence of young children, the elderly or infirm.

Varde Ovne offer firescreens, sparkguards and hearthgate systems for protection. Your Varde Ovne dealer can advise you about these products.

**Please Note:**

Prior to installation store the stove in a cool dry place and do not expose to moisture, the stove is not water resistant.

Check, if installing into an existing chimney, that it is suitable for a modern stove.

The vermiculite firebricks are delicate and should be handled with care - place logs carefully with a gloved hand when refuelling to avoid damage.

Do not place photographs, TV's, paintings, porcelain or other combustible items on the wall or near the appliance. Exposure to hot temperatures will cause damage. Do not place furniture or other items such as drying clothing closer than 1m from the front of this appliance.

**WARNING:** Extra fuel should not be stored on or next to the appliance. Only keep enough fuel for immediate use nearby and never leave the appliance unattended for long periods with any combustible material in close proximity.

Extractor fans or cooker hoods must not be placed in the same room or space as this can cause appliance to emit fumes into the room.

Do not make unauthorised changes to the appliance.

Do not connect, or share, the same flue or chimney system with another appliance.

**Installation:**

It is recommended that you contact your local building authorities or Varde Ovne supplier if you are unsure of the existing regulations regarding the installation of your stove, as there may be specific requirements which need to be considered. You should also receive the relevant installation instructions and read and understand them prior to installation.

---

**What type of Wood to use:**

Generally Beech wood is considered the best for burning. It burns evenly and produces little smoke, and the ash remains clean and manageable. Ash, Birch, and Maple are also considered fine alternatives.

**Log Size:**

The split log should have a diameter of no more than 100mm. The Length of the log should not exceed 200 - 250mm. Exceeding the quantities of fuel stated in the below table can lead to overfiring, causing permanent damage to the appliance and invalidate the product warranty.

**Kindling:**

Length: 200 - 250mm

Width: 30 x 30mm

Recommended Qty: 10-15 Sticks (Approx. 1kg)

**Firewood:**

Length: 250mm - 300mm

Diameter: Max 100mm

Recommended Qty: 3-4 Logs (Approx. 2kg)

**Top-down lighting of the fire:**

Do not exceed the amount of fuel described on page 11.

The following fuel quantities and settings are recommended for use (assuming a similar installation):

Fuel Type	Fuel Quantity (KG)	Primary Air Open (%)	Airwash Open (%)	Nominal Output (kW)	Chimney Draught (PA)	Efficiency (≥ i %)	Refuel interval at nominal output (minutes)
<b>Wood</b>	1.2	0 (Closed)	75 (Almost Open)	5.0	12	81	Approx. 45
<b>Solid Fuel</b>	0.8	100 (Closed)	0 (Closed)	5.0	12	83	Approx. 60

**Recommended Fuel:****Wood**

Only burn the appropriate sized seasoned wood with a moisture content of less than 20%. To ensure this allow cut wood to dry in an open shed for a 12 - 18 months. The burning of moist wood will result in a higher amount of tar, soot, pollution, and uneconomic fuel consumption. Newly chopped wood contains about 60-70% moisture, which renders it unsuitable for burning.

**Do not use - consider the environment:**

Do not burn construction timber, painted, impregnated / treated wood, manufactured board products or pallet wood.

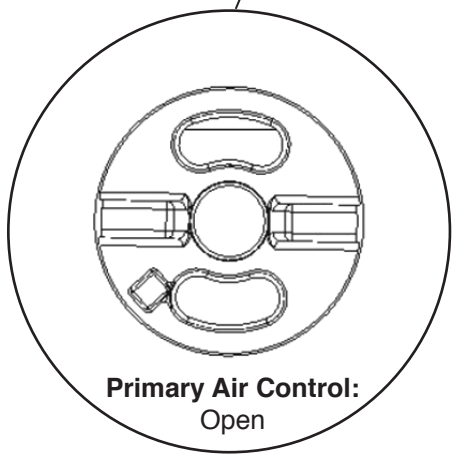
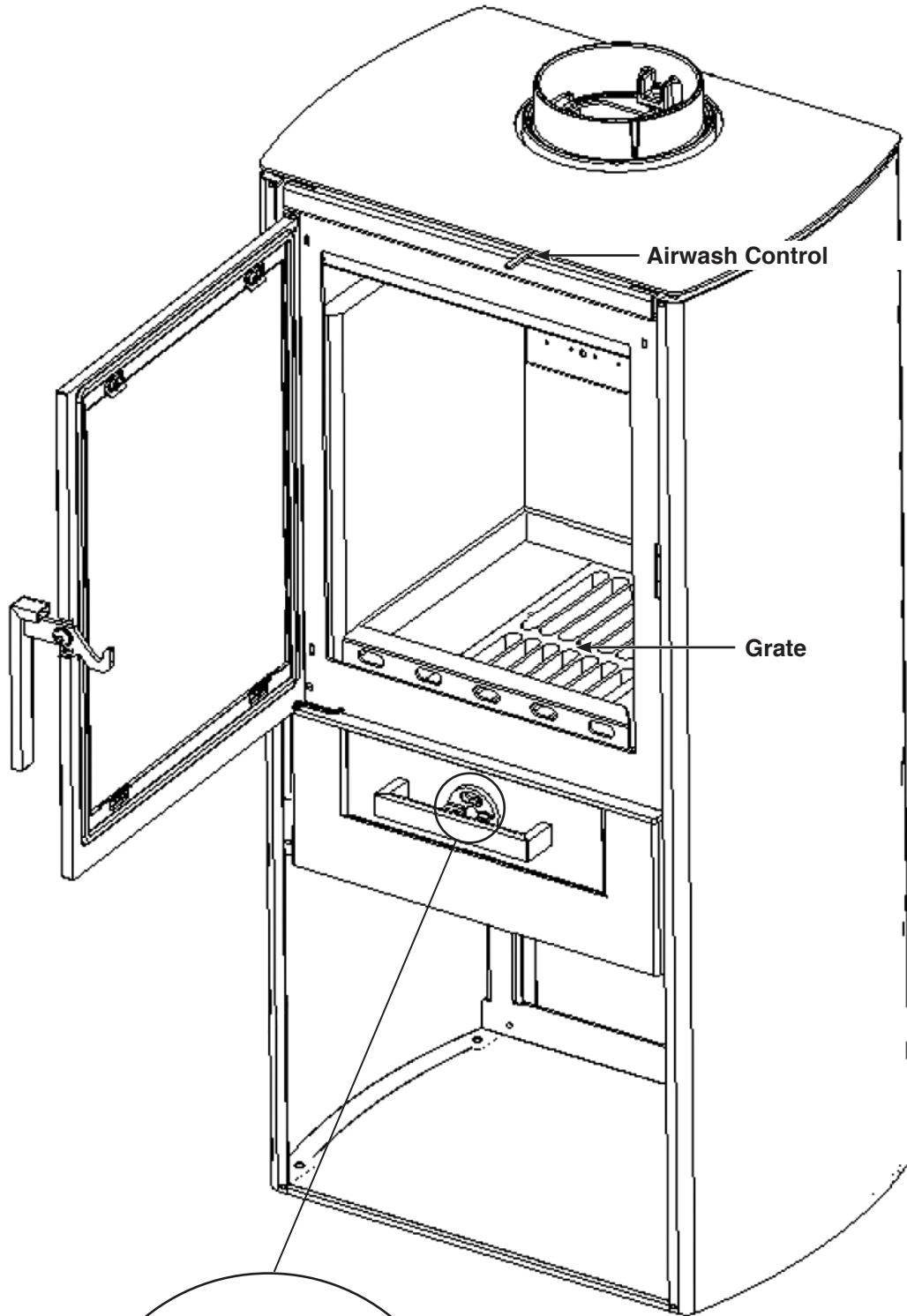
**Solid fuel:**

Burn only anthracite or manufactured briquette smokeless fuels listed as suitable for use with closed heating appliances.

**Do not burn bituminous coal, 'petro-coke' or other petroleum based fuels as this will invalidate the product guarantee.**

Use of fuels other than those recommended can cause overfiring, resulting in increased temperatures in the chimney as well as a less efficient burn. This can cause permanent damage to the appliance and invalidate the product warranty.

**How It Works:**





---

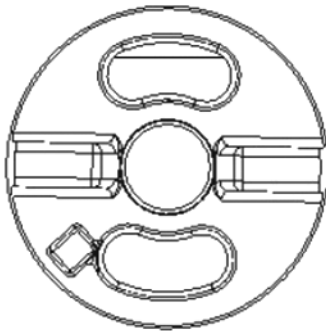
## Ventilation:

This appliance requires a constant supply of air to maintain proper combustion and effective flue performance as detailed in Approved Document J (ADJ).

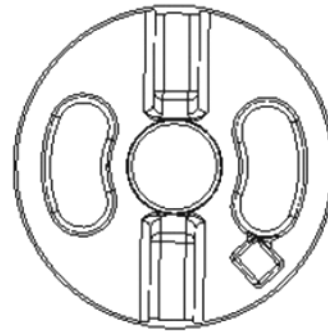
An inadequate air supply can result in poor combustion and smoke entering the room which is potentially dangerous.

This supply of air can come from either:

- Purpose provided ventilation.
- Some appliances can also be fitted with an optional outdoor air kit which allows air to be drawn in from the outside.



**Primary Air: Open**



**Primary Air: Closed**

## Primary Air - Open:

Place firelighters or paper and dry kindling wood on the base bricks. A successful fire initially requires plenty of kindling to establish a hot firebox and warm the chimney to aid flue performance.

Light the paper or firelighters - leave the door slightly open as the fire establishes and the glass warms to avoid build up of condensation.

Add larger pieces of wood and solid fuel. Do not use full sized logs at this stage, build up gradually in size. Too many logs may smother the fire.

Important: Do not load fuel above the log guard and the secondary combustion chamber at the back of the firebox.

Do not run with the door slightly open except for initial lighting as this could cause over-firing and damage the appliance.

## Primary Air - Closed:

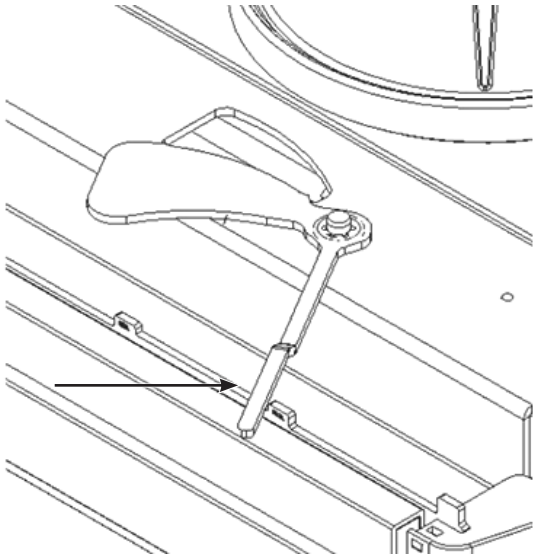
Once the fire is established close the Primary Air and use the Airwash Control to regulate the fire.

## Airwash Control / Secondary Air

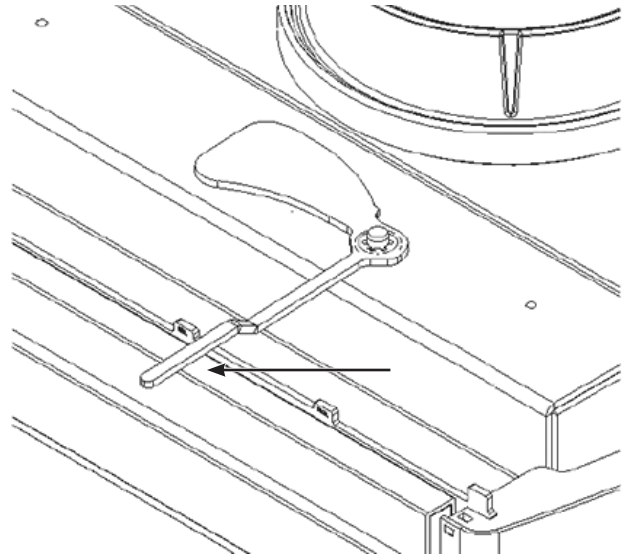
The Airwash Control can be used to alter the desired room temperature and the effectiveness of the chimney. A higher level of chimney draught requires a smaller intake of combustion air.

Do not burn large amounts of fuel with the air controls closed (Off position) for long periods of time. This reduces the glass cleaning effect, causes tars and creosotes to build-up in the appliance and flue system and will produce excessive amounts of smoke.

Experience establishes settings to suit personal preferences.



**Airwash Control:** Move the control to the right to open

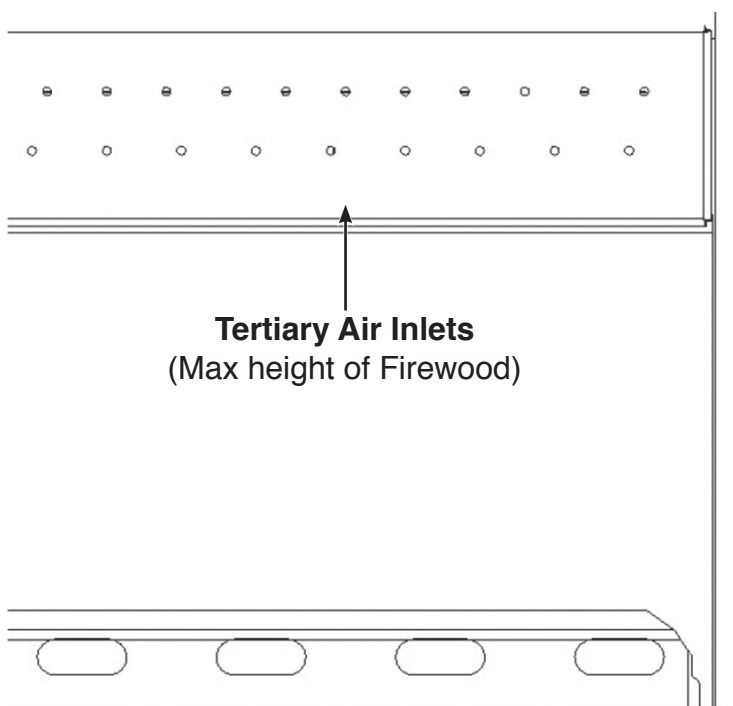


**Primary Air Control:** Move the control to the left to close

### Tertiary Air:

Tertiary Air is redistributed around the firebox to provide a cleaner burn, which lowers the amount of tar and soot from the combustion process to an absolute minimum. At optimal combustion settings the glass and firebox will be burnt clean and the amount of ash left after burning will be reduced. When in use, refuel little and often for clean, efficient burning. A bright and clean firebox indicates the appliance is burning well.

Important: Do not load fuel above the log guard and the secondary combustion chamber at the back of the firebox.



**Tertiary Air Inlets**  
(Max height of Firewood)

### Overfiring:

Do not over-fill with fuel or run at high temperatures for long periods or over-firing can occur.

**WARNING: DO NOT OPERATE THE APPLIANCE WITH THE IGNITION CONTROL FULLY OPEN FOR LONG PERIODS OF TIME AS THIS COULD CAUSE OVER-FIRING AND MAY CAUSE PERMANENT DAMAGE.**

Over-firing can cause permanent damage to the appliance and invalidate the product warranty.

---

### **How to Light and Maintain a fire:**

The first time the stove is lit the outer casing will temper. To allow the appliance to settle, and fixing glues and paint to fully cure, operate the appliance at a low temperature for first few days.

During this time the appliance may give off some unpleasant odours. Keep the room well ventilated to avoid a build-up of fumes. The tempering will soften the outer casing making it susceptible to damage, exercise caution and avoid touching. Varde Ovne also recommend opening and closing the door at regular intervals for the first few hours of use to prevent the rope seal from sticking to the finish.

DO NOT use highly inflammable fluids such as methylated spirits or petrol for lighting the stove.

Varde Ovne recommend a "Top-down" lighting method, where you light the wood in the upper area of the combustion chamber rather than the base. This method is the most efficient way to light a fire, and will keep the glass clean. In the bottom of the combustion chamber make a cross with 4 small pieces of wood, with a small distance between each log. On top of them make another cross, using 8-12 smaller pieces of wood, followed by 2-3 kindling blocks on top of them. Wood burns best on a bed of ash (approx. 25mm (1") deep).

If burning solid fuel place a small amount around the stack in order to heat these during the initial lighting.

Before lighting open the Primary Air and the Airwash Controls to allow primary air to circulate through the firebox.

When the fire is established close the Primary Air Control to avoid overfiring, which could invalidate the warranty.

Add more solid fuel at this stage.

Use the Airwash Control to adjust the heat. Do not close the Airwash Control or the fire will die out. When running the appliance refuel little and often for clean, efficient burning when burning wood.

A bright and clean firebox indicates the appliance is burning well.

Note: The height and draught of the chimney, as well as the quality of the wood being burnt, are deciding factors in determining optimal combustion.

Experience establishes settings to suit personal preferences.

If the fire is running too hot it is possible to reduce the heat output of the stove:

Burn a smaller amount of wood than usual, eg. 1.2-1.3kg, and if possible use 3-4 small pieces of wood. Apply Primary Air to ignite the wood and then adjust the Airwash Control to around 60%. Do not close the Airwash Control or the fire will die out. Using this method it is possible to reduce the nominal output of the stove from 5kW to around 3 - 3.5kW.

Important: This method can lead to poor combustion as restricting the Airwash Control too much can lead to a lower efficiency and an increase in smoke and emissions.

**Do not use aerosol sprays near an operating appliance.**

---

### **Tertiary Air**

The Samsø has a triple air combustion system. An air gap in the rear vermiculite panel with small holes running through a rear steel plate provide Tertiary air and aid efficient combustion.

**Rake the embers evenly over the firebed to establish a glowing firebed. If the firebed is low add a small amount of kindling wood to help re-establish the fire.**

When refuelling do not open the door if a large amount of flames are in the firebox as this could cause smoke or flames to spill into the room. Close the door immediately after refuelling.

### **Solid Fuel:**

**De-ash the appliance before refuelling.**

Place the ash in a suitable container. Do not place in a container made from plastic or any other combustible material.

Check and remove ash as often as required when burning solid fuel.

After refuelling:

Burn at a high temperature for a few minutes before adjusting the Air Controls. Do not close the air control until the fire is burning well.

Experience establishes settings to suit personal preferences.

Do not burn large amounts of fuel with the air controls closed (Off position) for long periods of time. This reduces the glass cleaning effect, causes tars and creosotes to build-up in the appliance and flue system and will produce excessive amounts of smoke.

When in use, running the appliance at a high temperature for a short period also reduces tars and creosote. When running the appliance refuel little and often for clean, efficient burning, a bright and clean firebox indicates the appliance is burning well.

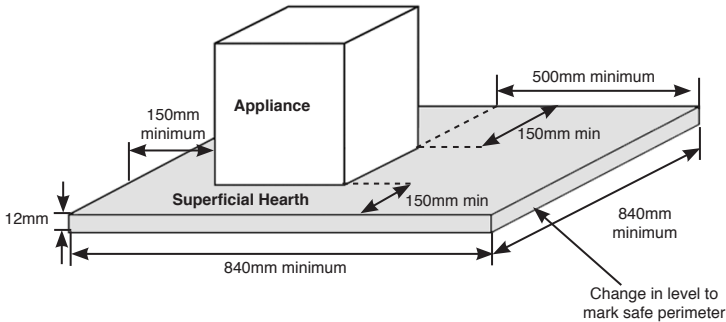
Note: Do not load fuel above the log guard and the Tertiary Air brick at the back of the firebox. The maximum amount of fuel specified in this manual should not be exceeded, overloading can cause excess smoke. Do not burn continuously with the door open.

Warning: Do not operate the appliance with both air controls open for long periods of time as this could cause over-firing and may cause permanent damage.

Consult the **Troubleshooting** section (Page 18) if the appliance will not light.

**Flooring:**

Varde Ovne appliances do not raise the floor temperature enough to require a constructional hearth. These appliances can stand on a superficial hearth which is a minimum of 12mm thick. This is to protect the floor from damage such as scorched floor coverings. The hearth must cover an area of at least 150mm to the sides of the stove and a minimum of 500mm to the front. However, it is recommended to extend the front to 500mm. If the appliance is installed in an elevated setting it is recommended to increase the 300mm hearth depth to safely contain any falling logs or embers. The higher the appliance is installed the deeper the hearth should be. The Hearth must be capable of supporting both the weight of the appliance and the flue pipe.



**Clearances to Combustibles:**

Important: Installation must comply with current building regulations. Ensure that sufficient clearances are provided between the flue pipe and any combustible materials in the fireplace in accordance with the rules in force.

If the walls are non-combustible the clearances can be reduced. However, it is recommended to maintain a minimum distance of 50-100mm to allow for access to the back of the stove and to maintain convection of air for optimal combustion.

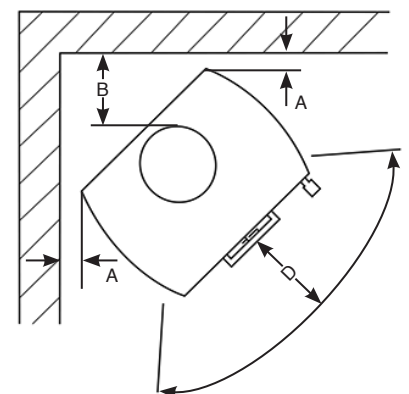
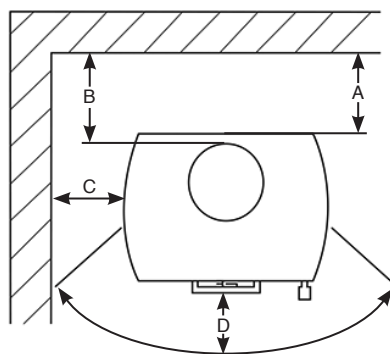
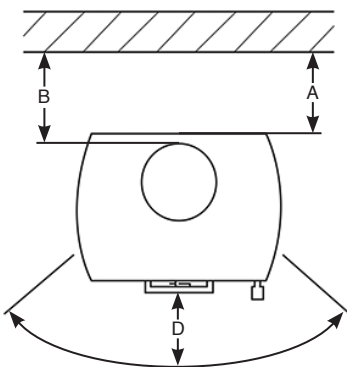
The stove must comply with local building regulations and with the following clearances to combustibles:

**Sides: 300mm**

**Rear: 500mm**

**Distance to Furniture: 800mm**

A	B	C	D
300mm	500mm	300mm	800mm



---

### The Chimney:

The chimney must have a diameter of at least 150mm and a height of at least 4.5m. Ensure a clearance of 600mm from the chimney to combustible materials. This appliance is designed for use with a 6" flue. Ensure that the chimney is a sufficient height, draws well, and is in compliance with local building regulations. Varde Ovne recommend that the chimney is fitted with a damper, allowing for further draft control. Note: The damper must never seal the chimney completely - always allows at least 20cm<sup>2</sup> free passage through the chimney.

Varde stoves come fitted with a baffle which ensures smoke is directed up the chimney. This ensures heat is distributed inside the home rather than outside. The baffle is adjustable and is positioned on top of the vermiculite firebrick side panels. Ensure that it is pushed all the way back against the back wall of the combustion chamber.

### Draught Conditions:

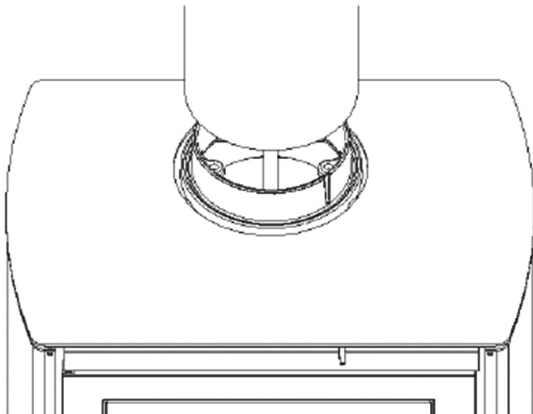
Consult a suitable competent person about the best method to adjust chimney draught.

### Height of Chimney:

If in doubt, consult your Varde Ovne supplier or local building regulations.

### Connection of Flue Pipe:

A cast iron flue adapter is fitted on the top of the appliance.

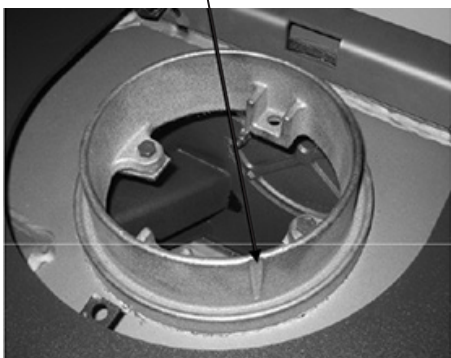


### Information about the new Cast Iron Adapter (Part no. 134).

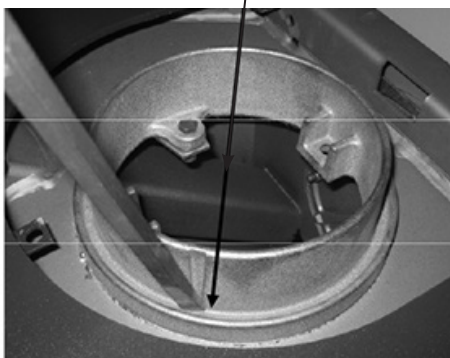
The Samsø is fitted with a new Cast Iron Adapter from Varde Ovne suitable for flue pipes with a diameter of 150mm. If required, it is possible to make a drain-hole for build up of condensate within the flue pipe.

- Using a chisel, pierce the Cast Iron Adapter below the locating groove. This will form the drain-hole.

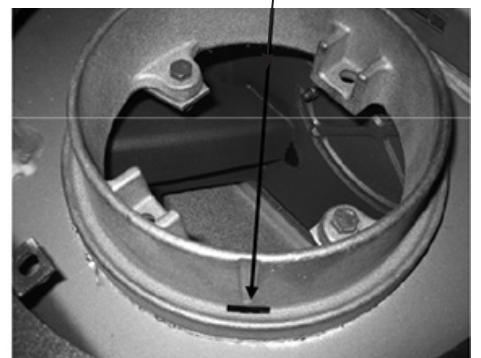
Locating groove for the hole



Carefully punch a hole



Complete condensate drain





---

### **Maintenance:**

Like any appliance under regular use, the stove will require routine maintenance.

Clean and inspect the appliance regularly, especially in periods of heavy use. Regular cleaning and maintenance will help give many years of safe use.

Allow appliance to cool thoroughly to avoid risk of burns.

Clean regularly, according to level of use. Remove ashes, soot and tar from the combustion chamber. The baffle should be removed for cleaning as the reverse side will be covered in soot. Do not allow ash to build up as it may cause damage and adversely effect the performance of the appliance.

Warning: Ash can remain hot long after appliance has been in use.

Check that the smoke pathway through the flue pipe is clear. Inspect the rope seals in the door and ashpan ensuring they still form a seal. Lubricate the door hinges if required.

### **Door Glass:**

Keep the glass clean with correct use of the Airwash system and good quality fuel. Use the boost setting to clear any build up. Sometimes additional cleaning may be required.

**Before undertaking this operation allow appliance to cool fully. DO NOT clean hot glass.**

The door glass should be cleaned using Varde Ovne glass cleaner, which should be available from you local Varde Ovne dealer.

Before applying a cleaning agent remove any dust and loose soot with a damp cloth. Apply the cleaning fluid to a cloth before rubbing onto the glass. Apply carefully and do not apply excessively. Do not apply directly onto the glass. Try to prevent any run off which could soak into the rope seals around the edge of the glass. Remove dirt with a moist cloth and buff dry.

Some types of wood and solid fuel can cause a white residue to form on the glass. If this occurs it should be cleaned off at least once a week during periods of heavy usage. If the liquid cleaning agents recommended do not remove this residue use a dry cleaning pad which will help remove these white marks.

Wood burns best on a bed of ash.

**Do not allow ash to build up in the appliance as it will not burn properly and may cause damage.**

Open door, see Diagram on page 5. Remove ash with a small shovel. Take care not to damage the ceramic lining of the appliance. Do not use sharp pointed pokers. Remove ash carefully - heat can remain long after use. Pace the ash into a suitable container. **Do not place hot ash in a container made from plastic or any other combustible material.**

If in doubt on how to clean your stove, contact your local Varde Ovne dealer or chimney sweep. It is especially important to check the stove and chimney for blockages after a long period of non-use.

The enamel surface of the stove can wear down in places if the appliance is overheated. Worn surfaces can be repaid with a Senotherm® spray paint, available from your local Varde Ovne dealer.

---

## **Only use original parts from Varde Ovne A/S**

### **Door Catch:**

The door mechanism is fitted with a spring which pulls the door closed, which is a legal requirement in many countries. The spring is fitted to the hinged side of the door and can be removed if you prefer not to have a spring loaded door. Consult your Varde Ovne dealer or Local building regulations before making changes to the appliance.

### **DO NOT make any unauthorised changes to the stove.**

All external surfaces of the appliance become hot during use, exercise caution when using the appliance.

### **Important: Chimney Fires**

If a chimney fire occurs:

- Shut all air controls immediately.
- Evacuate the building.
- Call the fire brigade.
- Do not re-enter the building until it is confirmed safe.

Do not use the appliance after a chimney fire until a suitably qualified person has inspected the stove.

### **Chimney Sweeping:**

To maintain safe and efficient use of the appliance, the chimney/flue must be inspected and swept at least once a year by a qualified chimney sweep.

If the appliance is used continuously throughout the year, or it is used to burn wood, more frequent sweeping is recommended. The best time to have the chimney swept is at the start of the heating season.

The chimney, any connecting flue pipe and the appliance flue ways, if incorporated, must be regularly cleaned. Ensure adequate access for cleaning where it is not possible to sweep through the chimney.

If the chimney is believed to have previously served an open fire it must be swept a second time within a month of regular use after installation.

### **CO Alarms:**

All open flued appliances can be affected by temporary atmospheric conditions which may allow fumes to enter the house.

**Building regulations require that whenever a new or replacement fixed solid fuel or wood/biomass appliance is installed in a dwelling a carbon monoxide alarm must be fitted in the same room as the appliance. Further guidance on the installation of the carbon monoxide alarm is available in the latest edition of BS EN50292 and from the alarm manufacturer's instructions.**

**HETAS recommend the unit is permanently fixed in accordance with the manufacturer's installation instructions or with the guidance contained in Approved Document J where no other information is available.**

**Provision of an alarm must not be considered a substitute for either installing the appliance correctly or ensuring regular servicing and maintenance of the appliance and chimney system.**



---

## Vermiculite

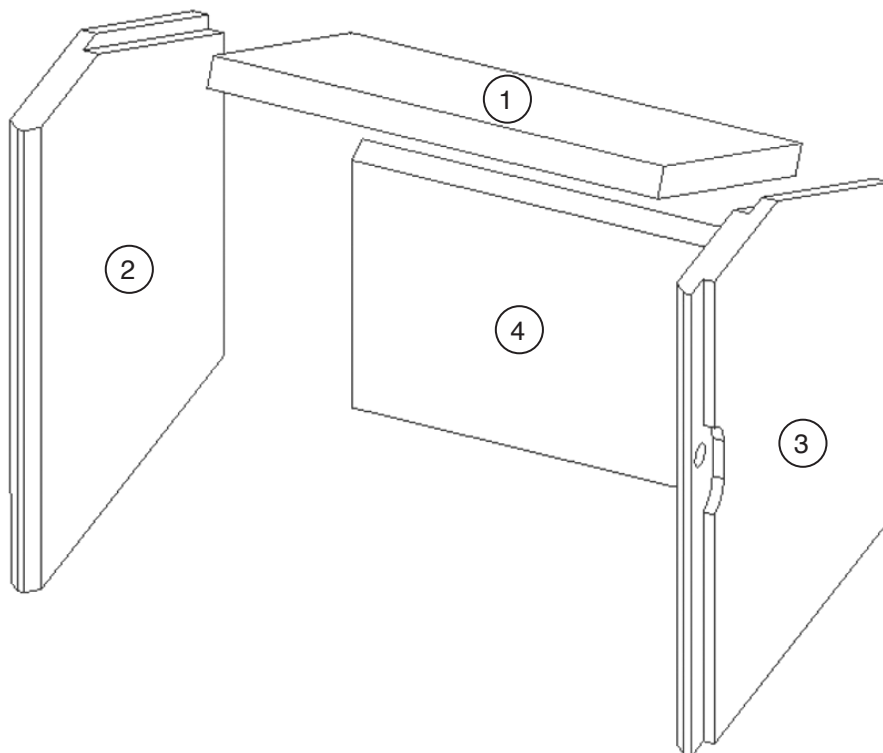
The panels which line the combustion chamber are Vermiculite and will show signs of wear over time. In case of damage the panels should be replaced if they show any cracks or splits wider than 5mm.

Vermiculite is a non-combustible material which protect the stove from deterioration. The vermiculite panels and baffle are not covered by the warranty. Vermiculite is a porous material and should be handled with care as bricks can become fragile after use. Life span depends on the type of fuels burnt and the level of use.

Allow the appliance to cool fully before removing firebricks.

When refuelling be careful not to damage the panels, and used a gloved hand to replace the logs.

**Only use original parts from Varde Ovne A/S.**



<b>Vermiculite Set, Item No. 1702505</b>	
<b>1</b>	Baffle
<b>2</b>	Left Side Panel
<b>3</b>	Right Side Panel
<b>4</b>	Rear Panel

### Replacing the Vermiculite Panels:

- 1. Baffle** - Lift the panel and tilt the bottom forward, manoeuvre through the firebox and remove.  
The baffle brick has a metal protector on top. This lifts off and can be placed to one side.
- 2. Left Side Panel** - The side panels lift up and are easily removed.
- 3. Right Side Panel** - The side panels lift up and are easily removed.
- 4. Rear Panel** - With the other panels removed the rear panel lifts up and out of the firebox.

Reffiting the panels is the reverse of this procedure.

## Troubleshooting:

Symptom	Solution
Smoke entering room	Inspect the flue pipe or chimney for blockages
	Clean the inside of the stove removing all soot / debris from the Vermiculite Deflector Plate
	Check the height of the chimney is correct
	Low flue draught
Excess soot on the glass or chimney	Primary Air shut off too early when lighting the stove - flames should be clear when in use
	Supply more secondary air during the combustion process - use Airwash Control
	The moisture content of the wood is too high
Low heat output	Inspect position of Vermiculite Deflector Plate and ensure there is enough free passage for the smoke
	Supply more secondary air during the combustion process - use Airwash Control
	The moisture content of the wood is too high or of a poor quality
Combustion is too intense	Gaskets in the door to the ashpan are loose and need replacing
	The chimney draught is too strong - fit a valve in the chimney
	Check that the Primary Air is closed during combustion

---

**Spare Parts:**

If at any time replacement parts are needed, please consult the table below.

<b>Name</b>	<b>Part Number</b>
Vermiculite Panel Set	2223506
Door Seals	10014
	10008
Door Glass	1107501
Door Handle	1107124
Door	1107526
Door (Gray)	1107526G
Glass Spring with Screws	10024
Wood Catch	85

## EC declaration of conformity

### MANUFACTURER


Name: **Varde Ovne A/S**  
Address: Kongevej 246, DK-6510 Gram, Danmark

### Stove Inspection

Name: **RRF**  
Address: Im Lopperfeld 34b, 46047 Oberhausen, Germany  
Notified Body no.: 1625

Product: Varde Samsø  
Product Type: Samsø  
Type Code: Heating stove, suitable for intermittent combustion  
Standard: Construction products (89/106/EC/) standard used EN13240  
Application: Residential Heating  
Fuel: Wood  
Special Conditions: None

CE-Marking: Issued 2012  
Nominal Output: 5kW  
Fuel Type: Wood  
Flue gas Temperature: 295°C  
Efficiency: 81%  
Co-release: 0,09%

  
Jan Meldgaard  
CEO

## Recycling

### Packaging:

The packaging is 100% recyclable

### Ceramic Glass:

The ceramic glass can be taken to the local recycling center and sorted with pottery and porcelain

### Vermiculite:

The vermiculite panels can be left at the local recycling center





<b>DECLARATION OF PERFORMANCE</b>	No.: 1	Company Name: Varde Ovne
	Revision: 2	Address: Soldalen 12
	Date of Issue: 01-07-2013	ZIP Code: 7100
		Country: DK

Written by: PM	René Schultz
Approved by: CEO	Jan Meldgaard

Product Name:	<b>Samsø</b>	
Room heaters for solid fuel:	Test	Test
	DIN EN 13240: 2001/AC:2008/DIN EN 13240:2001A2:2004/AC:2007	Art. 15a B-VG
STOVE APPROVAL PLACE:		
TEKNOLOGISK INSTITUT		
Kongsvangs Alle 29		
8000 Aarhus C		
DK		
Notified Body Number	1235	
STOVE APPROVAL PLACE:		
RRF	RRF-40143654	RRF-40143654
Im Lipperfeld 34b		
D-64047 Oberhausen		
Notified Body Number	1625	

System or systems of assessment and verification of consistency of performance of the construction products as set out in Annex V:

**System 3**

Fire Safety:

Harmonised Technical Specification:

Distance from inflammable materials		
	Maximum distance in mm:	
	Back	200
	Sides	300
	Front	800

Reaction to Fire:	<b>A1</b>	
Combustion Emissions		<b>13%</b>
CO	<b>0.090%</b>	<b>1125 mg/m³n</b>
OGC	<b>47 mg/MJ</b>	<b>80 mg/m³n</b>
Dust	<b>9 mg/MJ</b>	<b>14 mg/ m³n</b>
Nox	<b>87 mg/MJ</b>	<b>133 mg/ m³n</b>
Electrical Safety	---	
Cleanability	<b>OK</b>	
Exhaust Temperature at rated output:	<b>295°C</b>	
Mechanical Craft (to carry a chimney)	<b>OK</b>	

Heat Output:

Nominal Heat Output	<b>5.0kW</b>
Space Heating Output	<b>5.0kW</b>
Water Heating Output	---
Efficiency	<b>81%</b>

Signature CEO:

Jan Meldgaard



Jan Meldgaard  
CEO



Revision	Date of Revision
1	01-10-2013
2	07-05-2014

## Product Fiche - Information Requirement for Solid Fuel Local Space Heater

<b>Model</b>	<b>Samsø (MF)</b>
<b>Direct Efficiency Class</b>	<b>A+</b>
<b>Direct Heat Output (kW)</b>	<b>5.00</b>
<b>Indirect Output (kW)</b>	<b>-</b>
<b>Energy Efficiency Index (EEI)</b>	<b>107</b>
<b>Useful Energy Efficiency at Nominal Heat Output</b>	<b>81%</b>
<b>Safety Precautions</b>	<b>Appliance must be installed, Used and Maintained in accordance with the manufacturers instructions supplied</b>



