



By appointment to The Royal Danish Court

morsø

since 1853

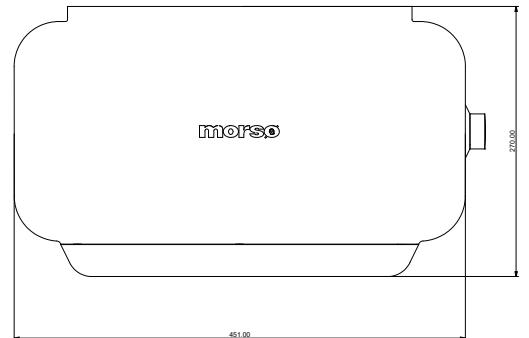
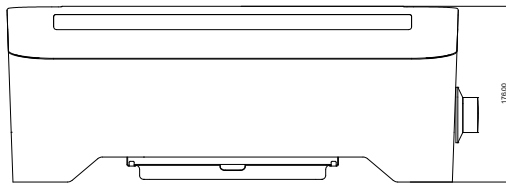
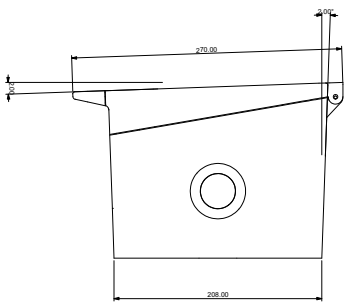


MORSØ BALCONE



MORSØ BALCONE - ELEKTRISK GRILL

TECHNICAL DATA



MORSØ BALCONE



Product code	62992100
Effect	1900 W
Height	176 mm
Width	451 mm
Depth	270 mm
Weight (kg)	8,6 kg
Cord	1500 mm
Color	Dark anthracite grey
Material	Aluminium cabinet with cast iron grilling grid
Design by	Kok & Berntsen



An increasing number of people choose to live in multi-storey buildings. And, at the same time, we experience a mushrooming of balconies all across the urban scene. As, though you may live in the city, this should not prevent you from enjoying outdoor life. An outdoor life is synonymous with the experience of gathering around the barbecue.

Very frequently, urban balconies and open fire is a prohibited combination, however. And, unless you are the owner of a jumbo-sized balcony, a classical grill certainly takes up considerable space of the sparse outdoor area. The ambition behind the Morsø Balcone was the development of a grill that would provide access for everyone – including urban dwellers – to the enjoyment of the specific togetherness arising when grilling. Using electricity rather than coal or gas and by optimising the shape of the product so as to match the specific situation, we have designed a grill that will meet this particular ambition. Balcone represents a design that creates balance between a modern product for a modern way of life and the authenticity and honesty we associate with Morsø as well as the aspect of grilling.