

LIFESTYLE ADENA FIRE PIT

INSTRUCTION MANUAL LFS707



WARNING:FOR OUTDOOR USE ONLY

Retain these instructions for future reference

Before using this product, make sure you have read, understand and are following all information provided in the following important instructions. Failure to follow can cause death, serious injury or property damage. Improper installation, adjustment, alteration or maintenance can cause injury or property damage.

Important safeguards

- 1, This product is for outdoor use only and shall not be used in a building, garage or any other enclosed area. Toxic carbon monoxide fumes can accumulate and cause asphyxiation.
- 2, This product is not for commercial use.
- 3, This product should only be used by adults and all children and pets should be kept at a safe distance.
- 4, Do not use petrol, white spirit, lighter fluid, alcohol or other similar chemicals to light a fire as a rapid increase in temperature could damage this product. This product is only suitable for use with charcoal, untreated wood or dry logs. Do not use coal.
- 5, Do not use this product until it is completely assembled and all parts are securely fastened and tightened.
- 6, Do not use the product on decking or any other flammable surfaces such as dry grass, wood chips, leaves.
- 7, Always empty this product after use. Do not remove ashes or charcoal until they are completely and fully extinguished.
- 8, Do not touch this product until it is completely cooled unless you are wearing heat resistant gloves as it is hot when in use.
- 9, Do not handle or move this product when in use as it is hot.
- 10, Do not attempt to store this product until all ashes and charcoals are completely extinguished.
- 11, Always use a safety tool and heat resistant gloves when adding or moving fuel.
- 12, Always use a safety tool and heat resistant gloves to move the grill and mesh cover during use because this product will become very hot.
- 13, Do not leave a burning fire unattended.
- 14, Fire hazard-Hot embers may emit while in use.

- 15, Do not overload this product with fuel. Do not add additional fuel until the fire burns down. If an portion of the firebowl is growing red, it is overloaded.
- 16, Do not burn fuel directly on the firebowl base. Do burn on the log grate.
- 17, Do keep the fuel away from the wall of the firebowl as the high temperature may damage it.
- 18, Avoid breathing smoke from the fire and avoid getting it into your eyes.
- 19, Always thoroughly inspect this product before use.
- 20, A slight discoloration of finish may occur after use.

Care and use

Lighting

- 1, Ensure this product is positioned on a permanent flat, level, heat resistant, non-flammable surface away from flammable items.
- 3, Place paper or dry kindling on the log grate in the centre of the firebowl bottom.
- 4, Place fuel on the paper or dry kindling
- 5, Light the paper or dry kindling to start a fire.

Tending the fire

- 1, Add fuel to this product to increase the heat slowly when embers glow. Do not overload with fuel, only two or three small logs is sufficient.
- 2, When shifting logs, use a safety tool to allow for additional airflow.

Extinguishing

To extinguish this product, stop adding fuel and allow fire to die or douse with sand. Do not use water as this may damage this product.

Care and inspecting

- 1, This product should be inspected on a regular base to ensure product safety and longer product life.
- 2, This product should be cleaned after use to ensure longer product life. Do not use oven cleaner or abrasive cleaner as they will damage this product.
- 3, When not in use, cover this product once completely cooled with a cover to help protect it from bad weather.
- 4, Store this product in a dry location to maximise product life.
- 5, The surface of this product will age, discolor and develop surface rust as soon as it is placed outside and after use. This is to be expected, but it does not affect use and is not a product fault. Please see below instructions on how to refresh the paint finish.

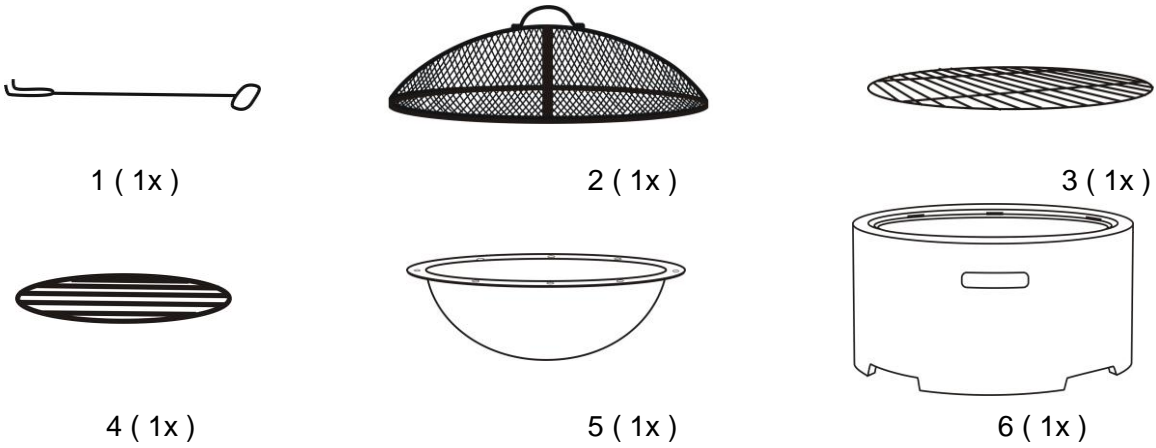
Remove loose paint and rust from the metal with a wire brush when needed and re-paint using a high temperature paint, resistant to at least 600°C. To help reduce surface rust, rub this product with an oily rag after each use.

The MGO body has been pre-treated with sealant but regular retreating throughout the season is recommended to extend the life and to protect the product from weathering.

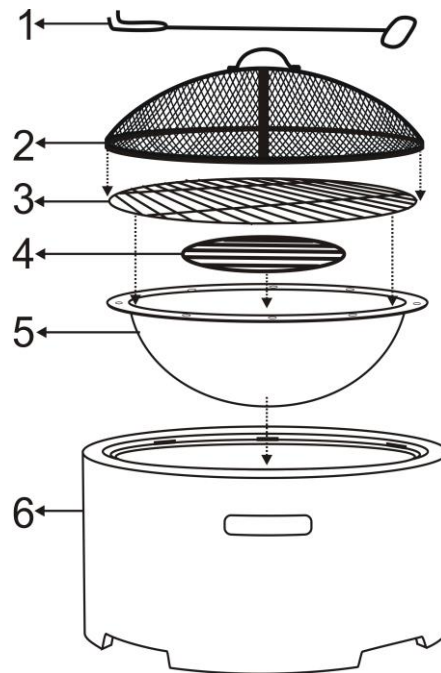
USE AS A BBQ

- Before cooking ensure the cooking grill and tools are clean and free of old food residues.
Add about 0.5kg of charcoal on the log grate and light according to the above instructions
Place the grill into the firebowl ensuring it is stable.
Do not cook before the fuel has a coating of ash.
Ensure all food is cooked thoroughly before eating.
After cooking do not remove the grill until it has completely cooled.
After cooking always clean the grill and the tools.

PART LIST



ASSEMBLY



STEP 1- Place the MGO stand (6) on a permanent flat, level, heat resistant, non flammable surface away from flammable items.

STEP 2- Place the firebowl (5) on the MGO stand (6).

STEP 3- Place the log grate (4) inside the firebowl (5).

STEP 4- Place the grill (3) on the firebowl (5).

STEP 5- Place the mesh cover (2) on the firebowl (5).