

# Introducing the New Hollington Boiler Stoves



Following the successful launch of the Si5 and Si8 dry stove range, it became apparent that there was an opportunity to build on the success of the unique features of these products and incorporate them into completely new boiler stoves designed to pass the stringent new Eco-Design 2022 regulations. The new regulations require high levels of efficiency and low flue emissions compared with those achieved by boiler stoves made prior Eco-Design 2022.

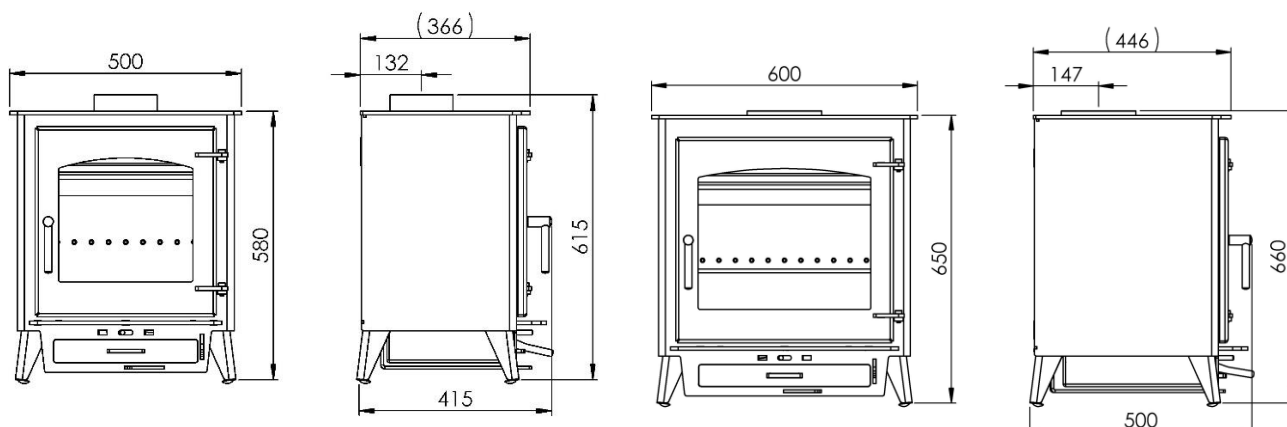
Stove Innovations started with a smaller boiler stove based on the size of the Si8 dry stove and approached design of the new boiler stove with a completely new layout and heat exchanger. This utilises a unique tube-based heat exchanger to provide a high surface area for heat transfer, whilst being compact enough to be located above the combustion chamber. It extracts the heat from the hot flue gases without chilling the combustion of the fuel in the main chamber, which allows the fuel to burn cleanly more like a dry stove.

The Si12 boiler stove was type tested and passed Eco-Design requirements in March 2023 for both woodburning and solid fuel operation. The Si12 produces a maximum total heat output of 12kW with 6.2kW going to water and 5.8kW to the room. This is suitable for heating a small property or for link-up systems for topping up a larger system alongside another boiler.

The successful approval of this model was followed by the development of a large high output boiler stove. This utilises the same principles as the smaller Si12 but with a larger firebox and substantially more complex heat exchanger featuring both larger tubes and insulated side and rear flat heat exchangers. Due to the high heat output required whilst maintaining sensible refuelling intervals, this product has been initially designed as a solid fuel boiler stove suitable for burning all approved smokeless fuels.

### Si12 Boiler Stove Dimensions

### Si20 Boiler Stove Dimensions



### Product Details

	Si12	Si20
<b>Nominal Total Heat Output</b>	<b>9.9kW</b>	<b>13kW</b>
<b>Nominal Heat Output (to Water) (to Room)</b>	<b>4.1kW 5.8kW</b>	<b>6.7kW 6.3kW</b>
<b>Maximum Heat Output</b>	<b>12kW</b>	<b>20kW</b>
<b>Maximum Heat Output (to Water) (to Room)</b>	<b>6.2kW 5.8kW</b>	<b>12.5kW 7.5kW</b>
<b>Clearance to Combustible Rear Wall</b>	<b>200mm</b>	<b>100mm</b>
<b>Recommended Minimum Wall Clearance to Non Combustible Rear</b>	<b>75mm</b>	<b>75mm</b>
<b>Wall Clearance to Combustible sides</b>	<b>350mm</b>	<b>600mm</b>
<b>Recommended Minimum Wall Clearance To Non- Combustible Sides (for access to parts)</b>	<b>75mm</b>	<b>75mm</b>
<b>Room Vent Required</b>	<b>Yes</b>	<b>Yes</b>
<b>Eco-Design 2022 Compliant</b>	<b>Yes</b>	<b>Yes</b>
<b>Heating System Requirements</b>	<b>Indirect Open Vented</b>	<b>Indirect Open Vented</b>
<b>Super Heated Air Wash</b>	<b>Yes</b>	<b>Yes</b>
<b>Fuel Type</b>	<b>Wood /Smokeless Fuel</b>	<b>Wood /Smokeless Fuel</b>
<b>Log Length</b>	<b>400mm</b>	<b>450mm</b>
<b>Construction</b>	<b>Seam Welded Steel</b>	<b>Seam Welded Steel</b>
<b>Double Skinned Combustion Chamber</b>	<b>Top and Rear</b>	<b>Top and Rear</b>
<b>Guarantee</b>	<b>10 Year Stove Body Guarantee</b>	<b>10 Year Stove Body Guarantee</b>