



By appointment to The Royal Danish Court

morso

since 1853

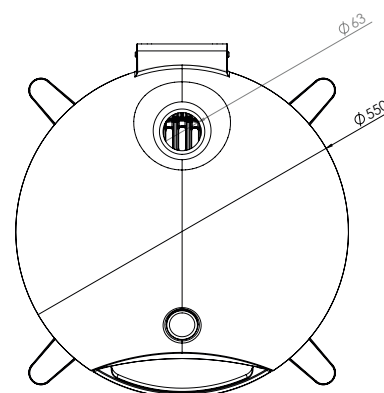
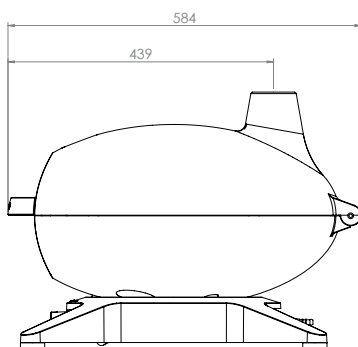
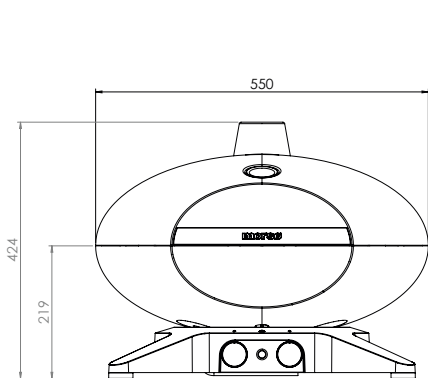


Make yourself at home on morsoe.com



MORSØ FORNO GAS

TECHNICAL DETAILS



Barbecue

- Total weight17.8KG
- Dimensions(LxHxW)586 x 428 x 550 mm
- Grilling surface (Diameter)420 / 480 mm

Gas system

- Heat output4kW
- Mass flow rateG30:291g/h; G31:286g/h
- Gas typeLiquid gas (propane, butane)
- IgnitionPush button Pulse ignition
- Total Heat Input4kw (G30:291g/h;G31:286g/h)