

Jøtul F 100 ECO.2

UK - Installation and Operating Instructions	4
FR - Manuel d'installation et d'utilisation	19
ES - Instrucciones para montaje e instalación	33
IT - Manuale di installazione ed uso	47
NL - Installatie- en montagehandleiding	61
DE - Montage- und Gebrauchsanleitung	75



Jøtul F 100 ECO.2 LL



Jøtul F 100 ECO.2 LL SE



Jøtul F 100 ECO.2 SL



Jøtul F 100 ECO.2 SL SE



Requirements

Supplier	Jøtul AS
Product models	Jøtul F 100 ECO.2 LL, Jøtul F 100 ECO.2 LL SE, Jøtul F 100 ECO.2 SL, Jøtul F 100 ECO.2 SL SE
Energy efficiency class	A+
Direct heat output	4,9 kW
Energy efficiency index	107,0
Efficiency at nominal heat output	80 %
Any specific precautions that shall be taken when the local space heater is assembled installed or maintained.	Fire safety precautions such as safety distances when installing, national standards, local codes and regulations. <i>See the Instructions manual.</i>



Requirements / Exigences / Requisitos / Requisiti / Vereisten / Forderungen / Wymagania	
Supplier / Fabricante / Fornitore / Vereisten / Lieferant/ Producent:	Jøtul AS
Product models Produits concernés Modelos Modelli Product modellen Varianten der Feuerstelle Modele produktu	Jøtul F 100 ECO.2 LL, Jøtul F 100 ECO.2 LL SE, Jøtul F 100 ECO.2 SL, Jøtul F 100 ECO.2 SL SE
Energy efficiency class / Classe énergétique / Clase de eficiencia energética / Classe energetica / Energie efficiëncy klasse / Energieeffizienz-Klasse / Klasa efektywności energetycznej	A+
Direct heat output / Puissance réelle de sortie / Potencia calorífica emitida / Emissione di calore diretta / Directe warmte afgifte / Nennwärmeleistung / Bezpośrednia moc grzewcza	4,9 kW
Energy efficiency index / Index de rendement énergétique / Índice de eficiencia energética / Indice di efficienza energetica / Energie efficiëncy index / Energieeffizienz-Index / Indeks efektywności energetycznej	107,0
Efficiency at nominal heat output / Rendement à puissance nominale / Eficiencia al rendimiento nominal / Efficienza alla potenza nominale / Efficiency bij nominale warmte afgifte / Wirkungsgrad bei Nennheizleistung / Sprawność dla mocy znamionowej	80 %
<ul style="list-style-type: none"> Any specific precautions that shall be taken when the local space heater is assembled installed or maintained. Toutes les précautions spécifiques doivent être prises lors de l'assemblage, l'installation ou l'entretien de l'appareil. Cualquier precaución específica que deba tenerse en cuenta durante el montaje, instalación o mantenimiento del equipo de calefacción Precauzioni specifiche da prendere quando il riscaldatore viene assemblato, installato o mantenuto in uno spazio. Eventuele specifieke voorzorgsmaatregelen die worden genomen wanneer de plaatselijke ruimteverwarming wordt gemonteerd, geïnstalleerd of onderhouden. Besondere Maßnahmen bei Montierung, Installation und Wartung. Ważne szczególne środki ostrożności, które należy podjąć, gdy lokalny ogrzewacz pomieszczeń jest zamontowany lub konserwowany. 	<ul style="list-style-type: none"> Fire safety precautions such as safety distances when installing, national standards, local codes and regulations. See the Instructions manual. Les précautions d'incendie telles que les distances de sécurité lors de l'installation, le suivi des normes, les codes locaux et les réglementations nationales. Veuillez lire le manuel d'installation. Precauciones frente a incendios como distancia de seguridad en la instalación, estándares nacionales, códigos locales y reglamentos. Lea el manual de instalación. Precauzioni per la sicurezza antincendio come le distanze di sicurezza durante l'installazione, le normative nazionali e locali. Leggere il manual. Brandveiligheidsmaatregelen, zoals veiligheidsafstanden bij installatie, nationale normen, lokale codes en voorschriften. Lees de installatiehandleiding. Für brenntechnische Verhältnisse, wie z.B. Aufstellbedingungen und nationale Forderungen. Siehe die Montage- und Bedienungsanleitung. <p>Środki bezpieczeństwa przeciwpożarowego, takie jak odległości od materiałów palnych jakie należy zachować podczas instalacji, normy krajowe, lokalne przepisy i regulacje. Patrz instrukcja obsługi..</p>

ENGLISH

Table of contents

Installation manual with technical data

1.0 Relationship to the authorities	4
2.0 Technical data	4
3.0 Safety	5
4.0 Installation	7
5.0 Daily use.....	13
6.0 Maintenance	14
7.0 Service.....	15
8.0 Operational problems - troubleshooting	17
9.0 Optional Equipment	17
10.0 Recycling	17
11.0 Guarantee terms.....	18

Register your fireplace at jotul.com for a 25-year warranty.

Product: Jøtul Room heater fired by solid fuel			
CE			
Standard	:		
Minimum distance to adjacent combustible materials:	:		
Emission of CO in combustion products:	:		
Flue gas temperature	:		
Nominal heat output	:		
Efficiency	:		
Operation range	:		
Fuel type	:		
Operational type	:		
The appliance can be used in a shared flue.			
Country	Classification	Certification standard	Approved by
Norway	Klasse II		
Sweden	int.	SP	SP Sveriges Provnings- och Forskningsinstitut AS
EUR	Intermittent	EN	SP Swedish National Testing and Research Institute
Follow user's instructions. Use only recommended fuels. Montage- und Bedienungsanleitung beachten. Verwenden Sie nur empfohlenen Brennstoffen. Respectez les consignes d'utilisation. Utilisez uniquement les combustibles recommandés.			
Lot no: Y-xxxx, Year: 200x			
Manufacturer: Jøtul AS POB 1 641 N-1652 Fredrikstad Norway	221546		

On all our products there is a label indicating the serial number and year. Write this number in the place indicated in the installation instructions.

Always quote this serial number when contacting your retailer or Jøtul.

Lot no. Pin.

1.0 Relationship to the authorities

- Installation of a fireplace must be according to local codes and regulations in each country.
- All local regulations, including those which refer to national and European standards, must be observed when installing the product.
- The installation can only be put into use after it has been checked by a qualified inspector. Contact your local building authorities before installing a new fireplace.

2.0 Technical data

Material:	Cast iron
Finish:	Black paint
Fuel:	Wood
Log length, max.:	35 cm
Flue outlet:	Top, rear
Flue pipe dimension:	
- inside:	Ø125mm/123cm ² cross-section
- exterior:	Ø150mm/177cm ² cross-section

Approx. weight:

Jøtul F 100 ECO.2 LL / Jøtul F 100 ECO.2 LL SE	89 kg
Jøtul F 100 ECO.2 SL / Jøtul F 100 ECO.2 SL SE	88 kg
Optional extras:	Extra heat shield, rear
Dimensions, safetydistances:	See fig. 1

Technical data in acc. with EN 13240

Nominal heat output:	4,9 kW
Flue gas volume:	4,1 g/s
Chimney draught, EN 13240:	12 Pa
Recommended negative pressure in smoke outlet:	16 - 18 Pa
Efficiency:	80%
CO emissions (13% O ₂):	0,10 %
CO emissions (13% O ₂):	1213 mg / Nm ³
NOx at 13% O ₂ :	86 mg / Nm ³
OGC (13 % O ₂):	98 mg C / Nm ³
Air consumption:	15-20 m ³ /h
Chimney temperature, EN 13240:	271 °C
Dust:	25 mg/Nm ³ @13%O ₂
Particle emission NS 3059:	3,7 g / kg

Type of fuel:	Wood
Recommended log length:	25-33 cm
Max. log length:	35 cm
Fuel consumption:	1,56 kg/h
Max. kindling amount:	2,1 kg
Nominal kindling amount:	1,23 kg
Operation:	Intermittent

Intermittent combustion in this context means normal use of the fireplace, i.e. fuel is added as soon as the fuel has burnt down to a suitable amount of embers.

3.0 Safety

NB! To guarantee optimal performance and safety, Jøtul recommends that its stoves are fitted by a qualified installer (see www.jotul.com for a complete list of dealers).

Any modifications to the product may result in the product and safety features not functioning as intended. The same applies to the installation of accessories or optional extras not supplied by Jøtul. This may also be the case if parts that are essential to the functioning and safety of the fireplace have been disassembled or removed.

In all these cases, the manufacturer is not responsible or liable for the product and the right to make a complaint becomes null and void.

The Clean Air Act

“The Clean Air Act 1993 and Smoke Control Areas”

Under the Clean Air Act local authorities may declare the whole or part of the district of the authority to be a smoke control area. It is an offence to emit smoke from a chimney of a building, from a furnace or from any fixed boiler if located in a designated smoke control area. It is also an offence to acquire an “unauthorised fuel” for use within a smoke control area unless it is used in an “exempt” appliance (“exempted” from the controls which generally apply in the smoke control area).

In England appliances are exempted by publication on a list by the Secretary of State in accordance with changes made to sections 20 and 21 of the Clean Air Act 1993 by section 15 of the Deregulation Act 2015. Similarly in Scotland appliances are exempted by publication on a list by Scottish Ministers under section 50 of the Regulatory Reform (Scotland) Act 2014.

In Northern Ireland appliances are exempted by publication on a list by the Department of Agriculture, Environment and Rural Affairs under Section 16 of the Environmental Better regulation Act (Northern Ireland) 2016.

In Wales appliances are exempted by regulations made by Welsh Ministers.

Further information on the requirements of the Clean Air Act can be found here: <https://www.gov.uk/smoke-control-area-rules>

Your local authority is responsible for implementing the Clean Air Act 1993 including designation and supervision of smoke control areas and you can contact them for details of Clean Air Act requirements.

The Jøtul F 100 ECO.2 SL, Jøtul F ECO.2 SL SE, Jøtul F 100 ECO.2 LL and Jøtul F 100 ECO.2 LL SE have been recommended as suitable for use in smoke control areas when burning wood logs.

3.1 Fire Prevention Measures

There is a certain element of danger every time you use your fireplace. The following instructions must therefore be followed:

- The minimum safety distances when installing and using the fireplace are given in **fig. 1**. The specified distance to flammable materials, applies to this stove. The stove must be installed with a CE approved flue. The distance of the flue pipe to combustible materials must also be observed.
- Ensure that furniture and other flammable materials are not too close to the fireplace. Flammable materials should not be placed within 1000 mm of the fireplace.

- Allow the fire to burn out. Never extinguish the flames with water.
- The fireplace becomes hot when lit and may cause burns if touched.
- Only remove ash when the fireplace is cold. Ash can contain hot embers and should therefore be placed in a non-flammable container.
- Ash should be placed outdoors or be emptied in a place where it will not present a potential fire hazard.

In case of chimney fire:

- Close all hatches and vents.
- Keep the firebox door closed.
- Call the fire service.
- Before use after a fire an expert must check the fireplace and the chimney in order to ensure that it is fully functional

3.2 Floor

Foundation

You need to make sure the foundation is suitable for a fireplace. See “**2.0 Technical Data**” for specified weight.

We recommend the removal of any flooring that is not attached to the foundation (“floating floors”) beneath the installation.

Requirements for protection of wooden flooring beneath the fireplace

Jøtul F 100 ECO.2 SL (Short Legs) and Jøtul F 100 ECO.2 SL SE (Short Legs and Special Edition)

The short legged version (Jøtul F 100 ECO.2 SL) can only be installed on a constructional hearth which must have an extension of minimum 350 mm in front of the stove.

For further information please see: Approved Document J2010 Section 2.22.

Jøtul F 100 ECO.2 LL (Long legs):

Jøtul F 100 ECO.2 has a heat shield underneath which protects the floor from radiation. The product can therefore be placed directly on a wooden floor that is covered by a metal plate or other suitable, non-flammable material. The recommended minimum thickness is 0,9 mm.

Floorplates **must comply with national laws and regulations**. Contact your local building authorities regarding restrictions and installation requirements.

Jøtul recommends that any flooring made of combustible material, such as linoleum, carpets, etc. should be removed from under the floor plate.

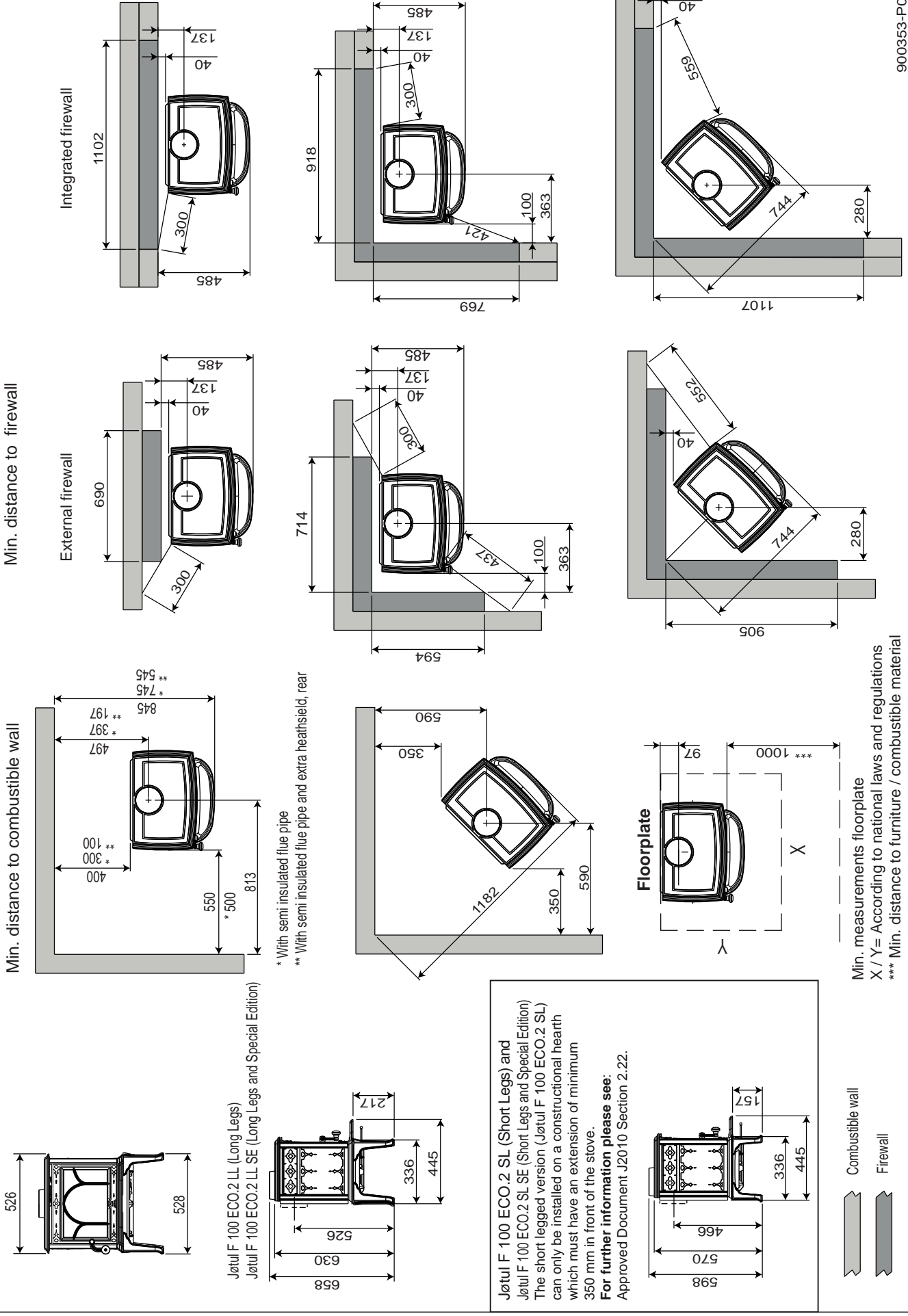
Requirements for protection of inflammable floors in front of the fireplace

The front plate must comply with national laws and regulations.

Contact your local building authorities regarding restrictions and installation requirements.

Jøtul F 100 ECO.2

Fig. 1



3.3 Walls

Distance to wall of flammable material - see fig. 1

The stove must be installed with a CE approved flue.
The distance of the flue pipe to combustible materials must also be observed.

Distance to combustible wall protected by firewall

See fig. 1

Distance to walls covered by a firewall

Firewall requirement

The firewall must be at least 100 mm thick and be made of brick, concrete-stone or light concrete. Other materials and structures with satisfactory documentation may also be used.

Non-combustible materials mean materials like brick, clinker, concrete, mineral wool, silicate plates etc (materials that do not burn). **Note!** A short distance to non-combustible wall may lead to desiccation and discoloration of paint and cause cracking.

- The stove must be set up so that the stove itself, the flue pipe, and the chimney can all be cleaned.
- Make sure that furniture and other household items are not so close as to get dried up by the stove. Flammable materials should not be placed within 1000 mm of the fireplace.

3.4 Ceiling

There must be a minimum distance of 700 mm to a combustible ceiling above the fireplace.

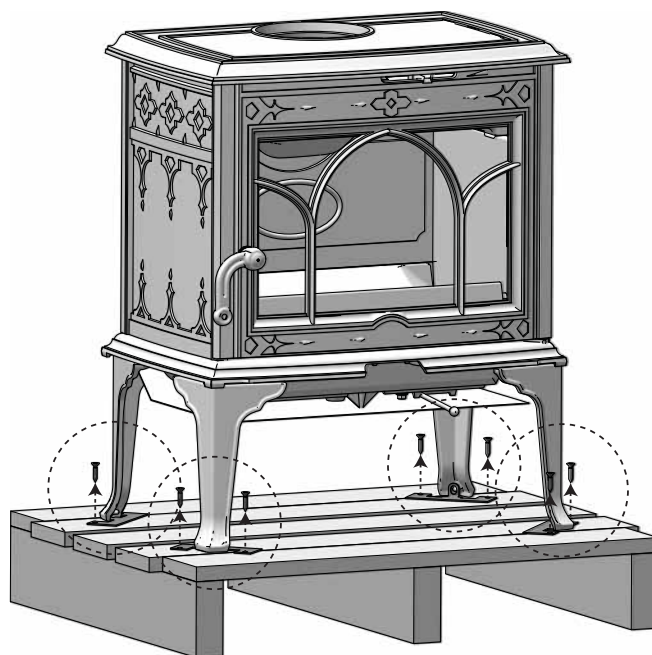
4.0 Installation

- Before installing the fireplace, check it carefully for any signs of damage.
- The product is heavy! Ask someone to help you when positioning and installing it.
- **Ensure that air vents in the room where the fireplace is located are not blocked.**

4.1 Prior to installation

- The standard product comes in one package
- When the product is unpacked, take out the ashlip, smoke outlet and bag of screws.

Fig. 3

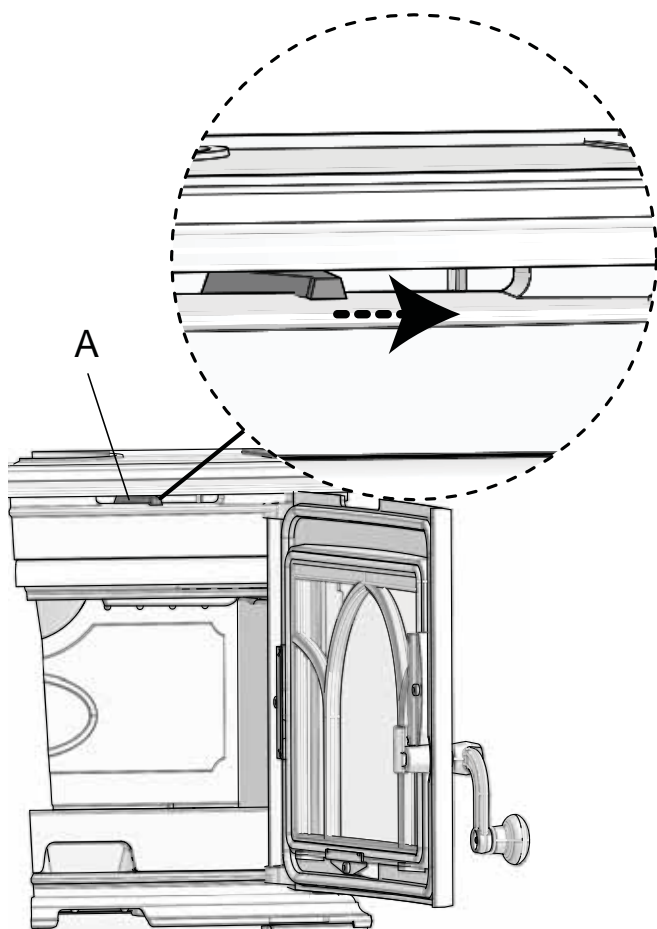


1. Remove the transport screws.

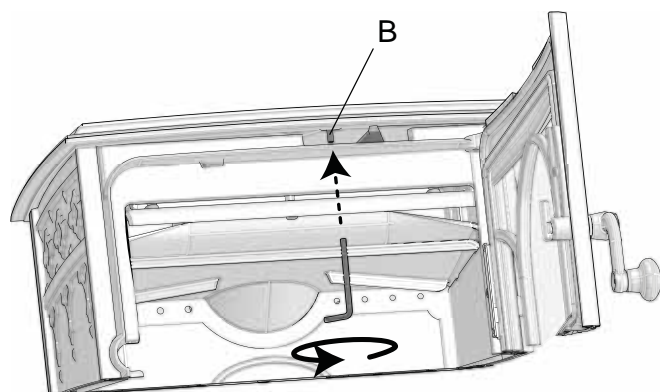
ENGLISH

Requirement for UK

"The Jotul F 100 ECO.2 stoves have been recommended as suitable for use in smoke control areas when burning wood logs and when fitted with a mechanical stop to prevent primary air control closure less than 470 mm².



1. Push the air vent (A) to the right.



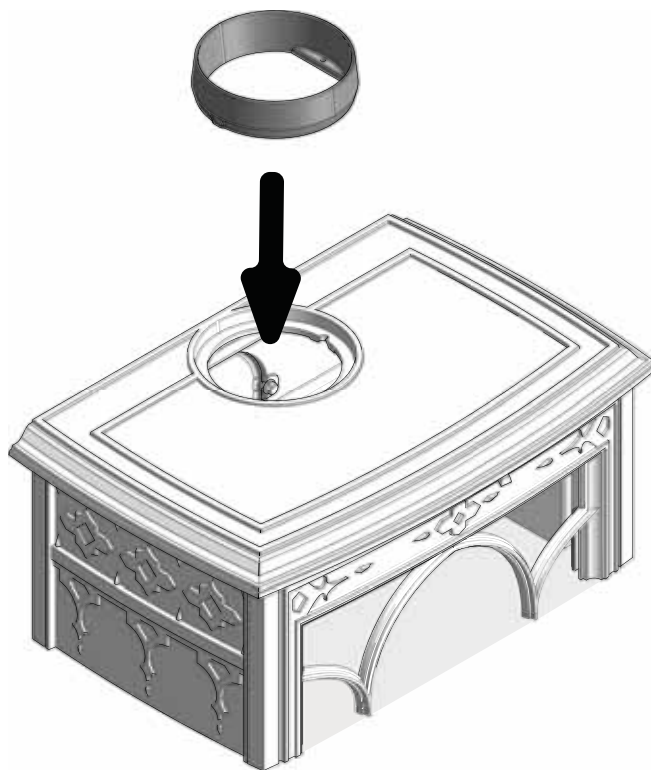
2. Use the pin screw (B) from the bag of screws and screw it onto the burnchamber.

4.2 Installation

Assembly of flue pipe with top outlet

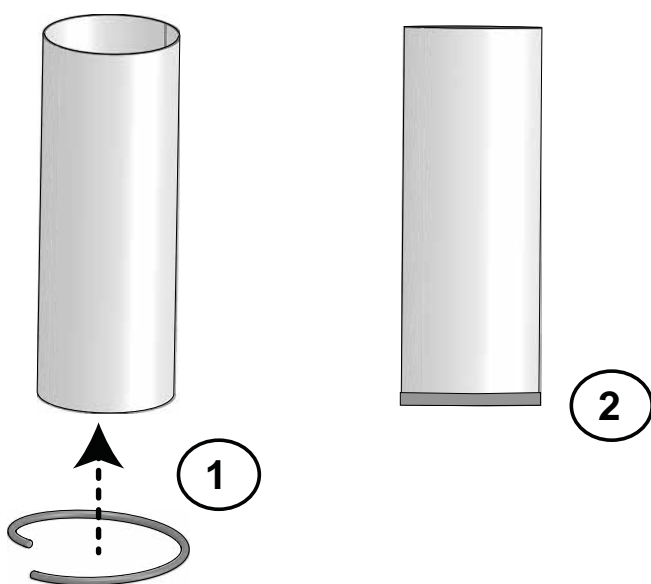
The product is assembled for a top outlet as standard.

Fig. 4



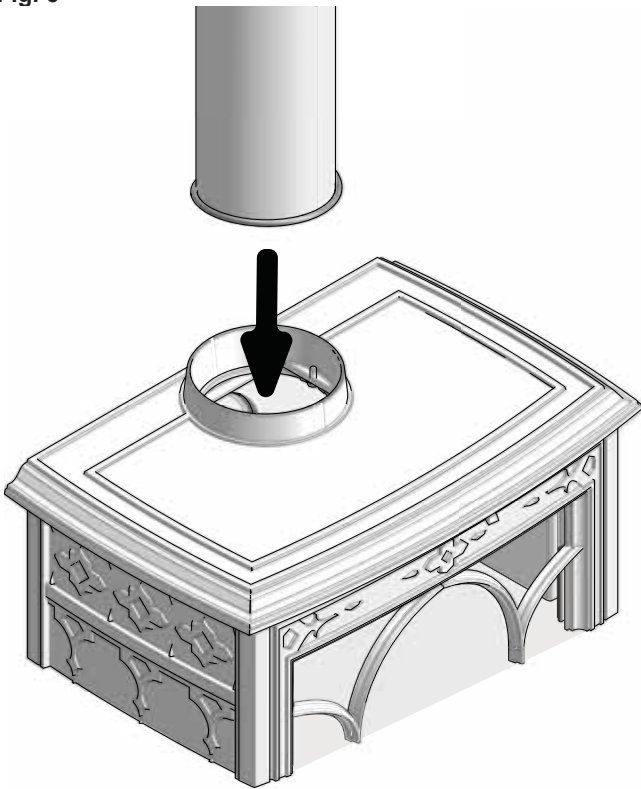
1. Attach the flue outlet to the top plate using the two screws.

Fig. 5



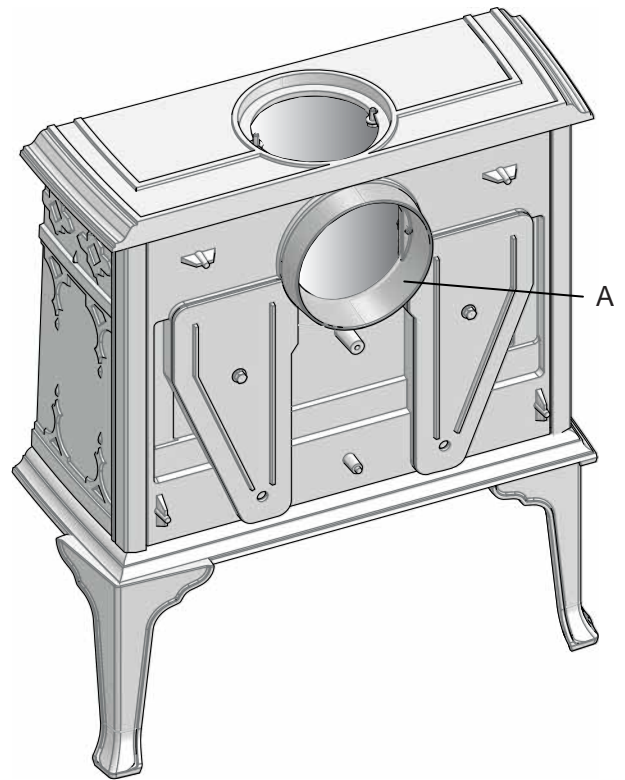
2. Remove the protective paper from the gasket and fasten it around the outside of the flue pipe.

Fig. 6



3. Install the flue pipe into the flue outlet.

Fig. 8



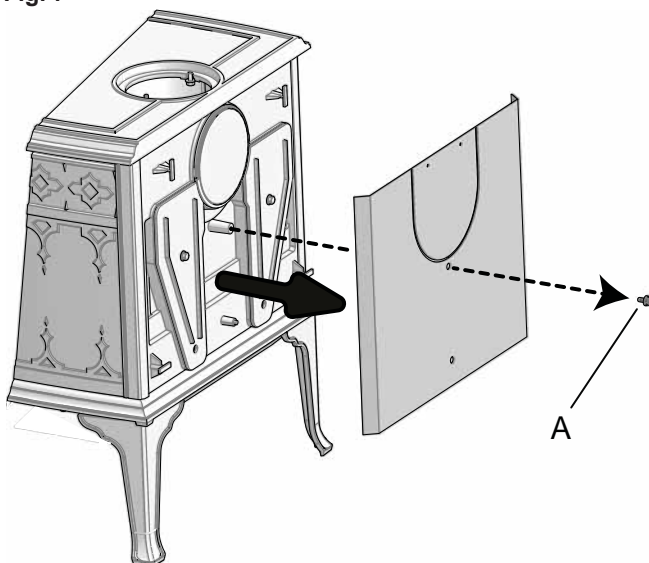
2. Mount the flue outlet (A) into the rear outlet.

Assembly of flue pipe with rear outlet

If the flue pipe is to be rear mounted do the following:

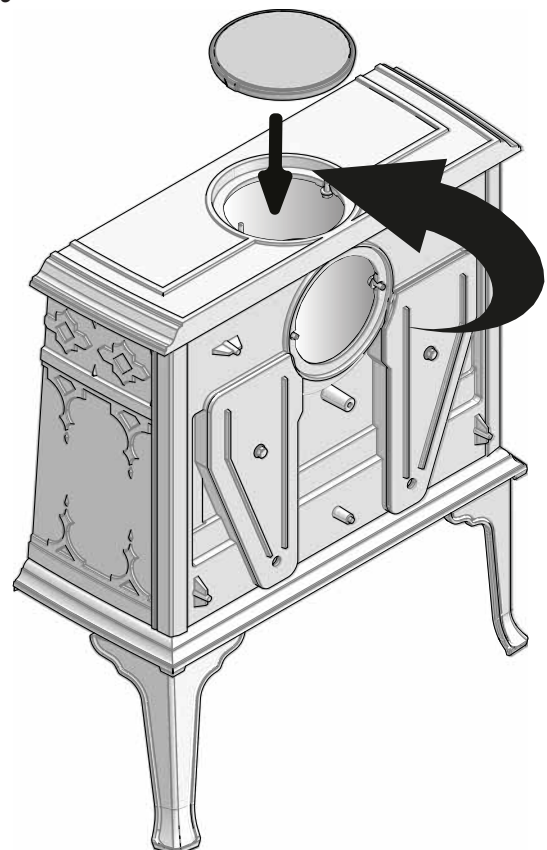
NB! In order to make the change, you must first remove the baffle plate - see fig. 23 - 24. Remember to put it in place later.

Fig. 7



1. Unscrew the screw (A) and remove the rear heat shield.

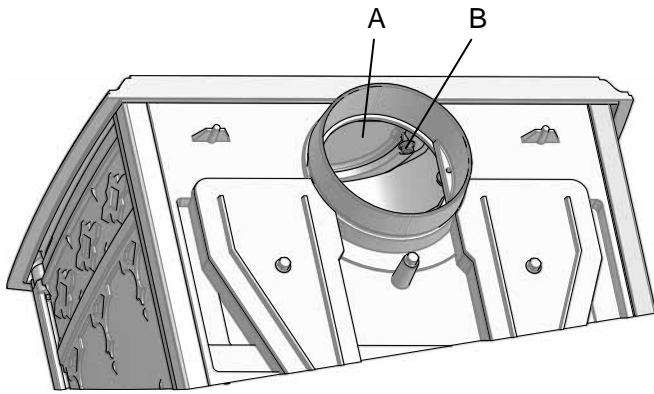
Fig. 9



• Fasten the cover on the top plate.

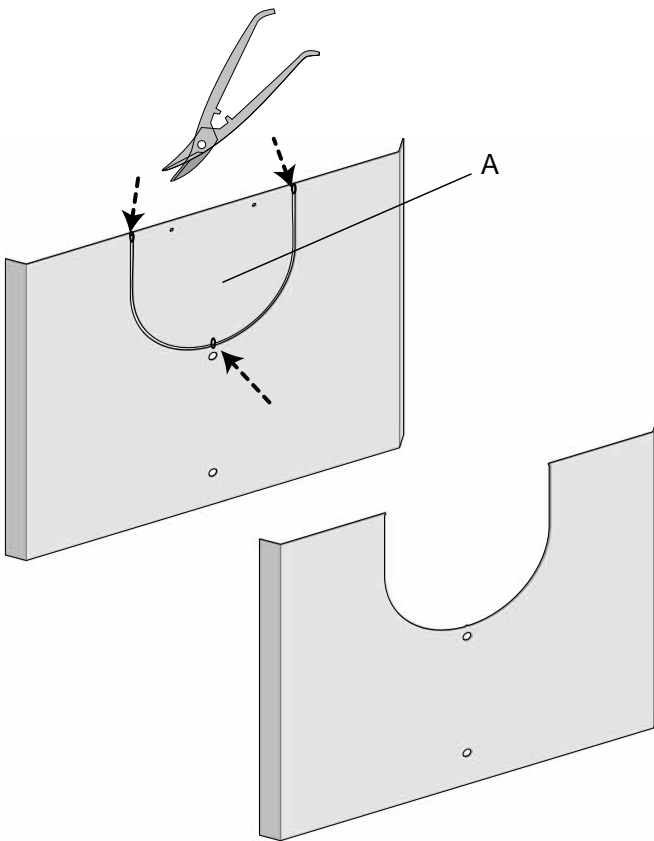
ENGLISH

Fig. 10



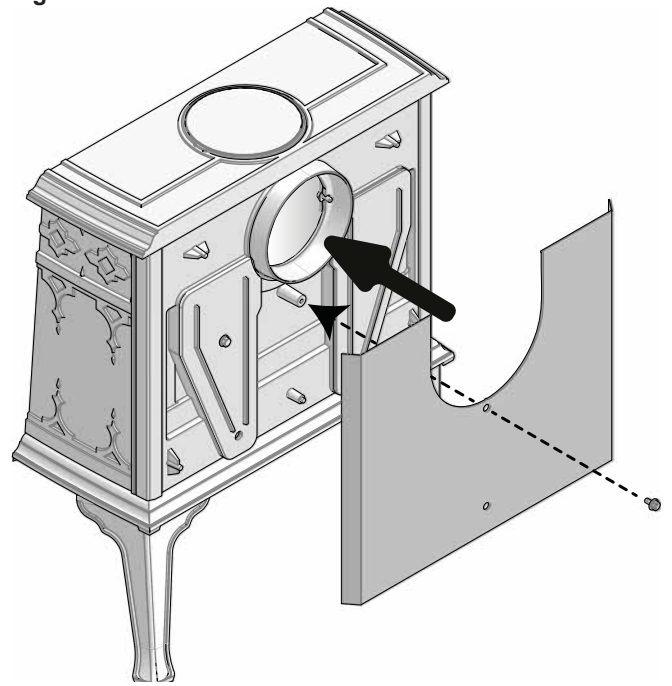
3. Fasten the cover (A) with the screws (B).

Fig. 11



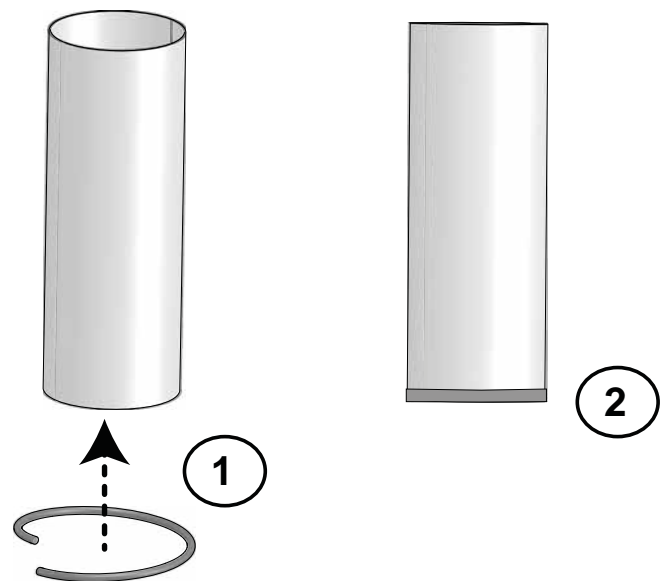
4. Cut out the part (A) in the heat shield for the flue pipe.

Fig. 12



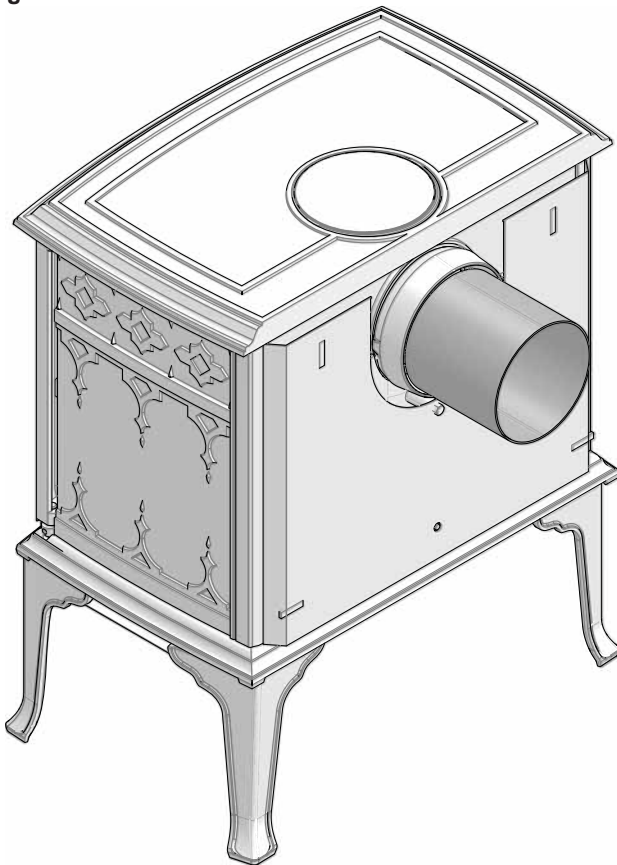
5. Install the rear heat shield onto the stove.

Fig. 13



6. Remove the protective paper from the gasket and fasten it around the outside of the flue pipe.

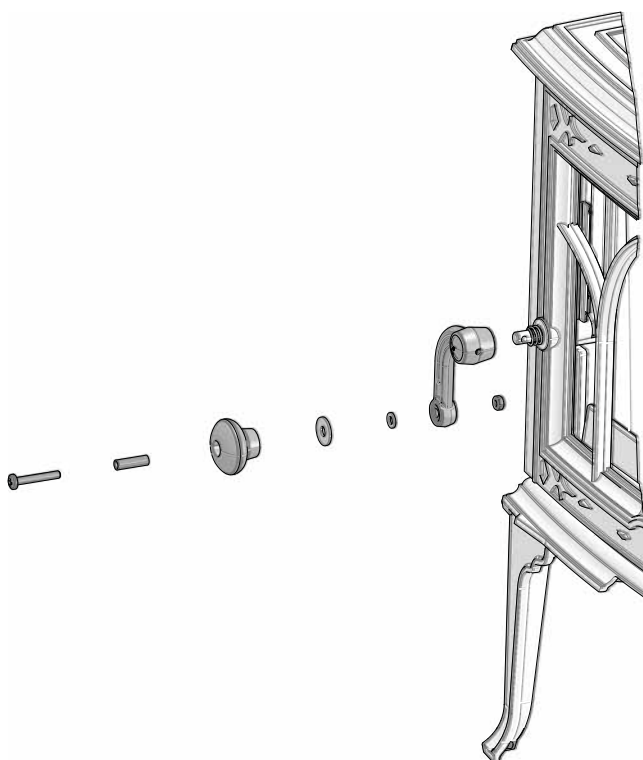
Fig. 14



- Install the flue pipe into the flue outlet

Mounting the door knob

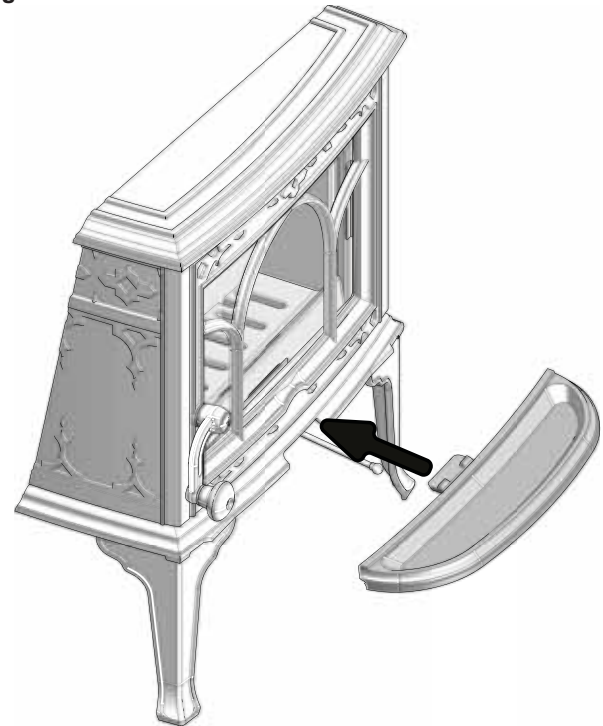
Fig. 15



- Screw the door knob on the handle.

Installing the ash lip

Fig. 16



- Install the ash lip by hanging it under the door.

4.3 Chimney and flue pipe

- The fireplace must only be connected to a chimney and flue pipe approved for solid fuel fireplaces with flue gas temperatures as specified in «2.0 Technical Data».
- The specified distance to flammable materials, applies to this stove.
- The stove must be installed with a CE approved flue. The distance of the flue pipe to combustible materials must also be observed.
- Flue pipe bends with any change in direction influence / reduce the chimney draught. This effect also applies when horizontal flue pipes are used.
- The cross-section of the chimney must be designed to fit the fireplace. Use «2.0 Technical Data» to calculate the correct chimney cross-section.
- The chimney must be connected in accordance with the installation instructions of the chimney supplier.
- Before a hole is made in the chimney, the product should be test-mounted in order to correctly mark the position of the fireplace and the hole in the chimney. See **fig. 1** for minimum dimensions.
- With a rear outlet, use a flue pipe bend with a sweep hatch to allow sweeping.
- Please note that it is extremely important for connections to have a degree of flexibility. This is to prevent any movement in the installation leading to the formation of cracks.
- For recommended chimney draught, see «2.0 Technical Data». For flue pipe dimension see «2.0 Technical Data». **NB: The chimney's diameter must be at least just as big as the flue pipe.**

NB! The minimum recommended chimney length is 4,0 m from the flue pipe insert. If the draught is too strong, a flue pipe damper can be installed and used to reduce the draught.

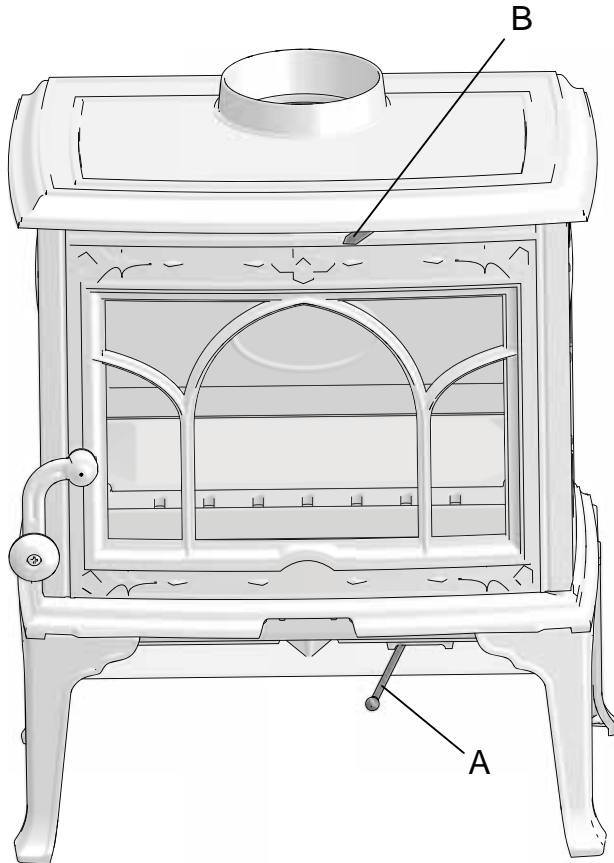
ENGLISH

4.4 Performance check

Once the product has been assembled, always check the control handles. These should move easily and work in a satisfactory manner.

The Jøtul F 100 ECO.2 is equipped with the following operating options:

Fig. 17



Ignition vent (A) - Air vent (B)

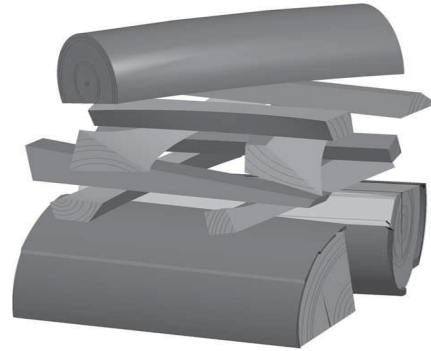
Pushed to the left: Closed
Pushed to the right: Open

4.5 Use

- Open both the air vent and the ignition vent by pushing them to the right. If necessary, keep the door slightly open. *(Use a glove, for example, as the handle can become hot.)*
- Place two medium sized logs in/out on each side of the base. **N.B.** In order to avoid sooting on the glass, it is important that the log is not placed adjacent to the glass on the product.
- Place firelighters or bark off the birch wood between the logs. Stack some finely split wood on top in a criss-cross pattern. Finally, place a medium-sized log on the top of the pile. Light the fire.
- Gradually increase the size of the fire, but the wood should not be stacked higher than the horizontal holes on the back burn plate.
- **NB: The maximum height of the pile of the wood should be just below the horizontal holes. The holes must not be covered.**

- Check that the afterburning (secondary combustion) starts. This is best indicated by yellow, flickering flames under the baffle.
- Then regulate the rate of combustion to the desired level of heating by adjusting the air vent (**fig. 30 A**).
- Close the stove door. It must always be closed when the fire is lit.

Fig. 18



Adding firewood

Stoke the stove frequently but only add small amounts of fuel at a time. If the stove is filled too full, the heat created may cause extreme stress in the chimney. Add fuel to the fire in moderation. Avoid smouldering fires as this produces the most pollution. The fire is best when it is burning well and the smoke from the chimney is almost invisible.

Danger of overheating

The fireplace must never be used in a manner that causes overheating.

Overheating occurs when there is too much fuel and/or too much air so that too much heat develops. A sure sign of overheating is when parts of the fireplace glow red. If this happens, reduce the air vent opening immediately. Seek professional advice if you suspect that the chimney is not drawing properly (too much/too little draught). For further information, see «4.0 Installation» (**Chimney and flue pipe**).

How wind and weather affect the stove

The performance of the stove can be affected considerably by the wind acting on the chimney at different strengths. It may therefore be necessary to adjust the air supply to ensure good combustion performance.

It might also be a good idea to install a damper in the flue pipe so that the chimney draught can be regulated according to the strength of the wind.

Condensation

Condensation in a fireplace / flue pipe / chimney may occur. This may be caused by moist firewood or differences in temperature in the fireplace and environment.

Condensed water coming from the fireplace appears as a black, tar-like liquid. This should be wiped off immediately

to avoid discoloration of the fireplace, floor or surrounding building components.

It is important to get the wood burning quickly to avoid condensation

If the condensation continues, mineral sand can be placed on the bottom plate.

5.0 Daily use

Odours when using the fireplace for the first time

- When the fireplace is used for the first time, it may emit an irritating gas which may smell slightly. This happens because the paint dries. The gas is not toxic but the room should be thoroughly ventilated. Let the fire burn with a high draught until all traces of the gas have disappeared and no smoke or odours can be detected.

Heating advice

NB: Logs that have been stored outdoors or in a cold room should be brought indoors 24 hours before use to bring them up to room temperature.

There are various ways of heating the stove but it is always important to be careful about what you put in the stove. See the section on “**Wood quality**”.

Wood quality

By quality wood we mean most well-known types of wood such as birch, spruce and pine.

The logs should be dried so that the moisture content is no more than 20%.

To achieve this, the logs should be cut during the late winter. They should be split and stacked in a way that ensures good ventilation. The wood stacks should be covered to protect the logs from rain. The logs should be brought indoors during early autumn and stacked/stored for use in the coming winter.

Be especially careful never to use the following materials as fuel in your fireplace:

- Household rubbish, plastic bags, etc.
- Painted or impregnated timber (which is extremely toxic).
- Laminated wooden planks.
- Driftwood

These may harm the product and are also pollutants.

NB: Never use petrol, paraffin, methylated spirit or similar liquids to light the fire. You may cause serious injury to yourself and damage to the product.

Wood consumption

Jøtul F 100 ECO.2 has a nominal heat output of **ca. 4,9 kW**. Use of wood, with nominal heat emission: Approx. **1,6 kg/h**. Another important factor for proper fuel consumption is that the logs are the correct size. The size of the logs should be:

Kindling:

Length: approx. 25-33 cm
Diameter: 2 - 5 cm
Amount per fire: 6 - 8 pieces.

Firewood (split logs):

Recommend length: 25 - 33 cm
Diameter: approx. 8 cm
Intervals for adding wood: *Approximately every 45 minutes*
Size of the fire: 1,23 kg (nominal heat output)
Amount per load: 2 pieces

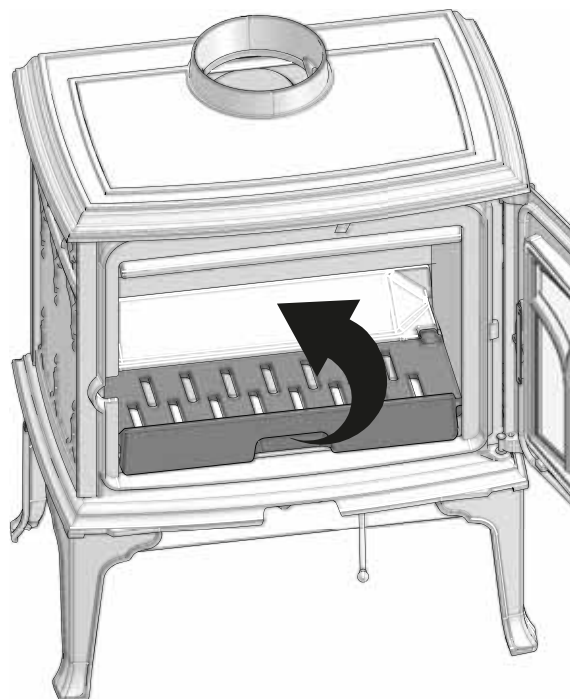
Nominal heat output is achieved when the air vent is open approximately 50 % (**fig. 17**) The ignition vent is closed.

Ash removal

Jøtul F 100 ECO.2 has an ash pan which makes it easy to remove the ashes.

- Only remove ashes when the fireplace is cold.

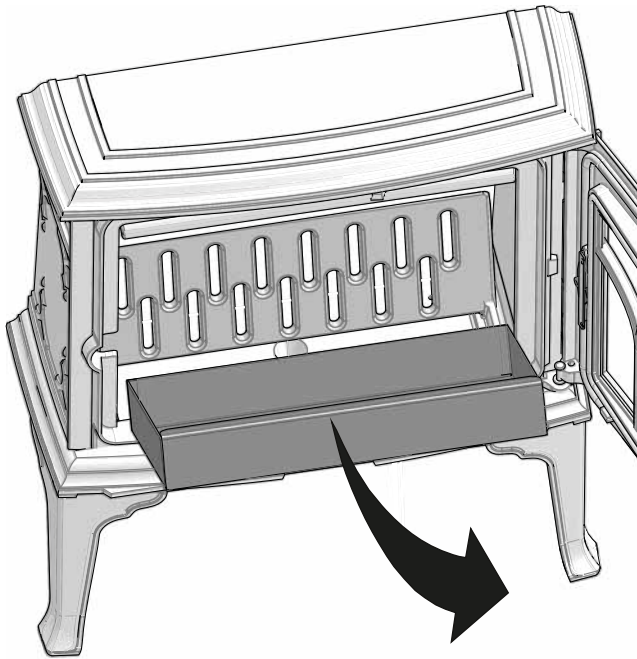
Fig. 19



- Scrape the ashes through the grate into the ash pan.
- Make sure that the ash pan doesn't fill up so high that it keeps ash from coming through the grate into the pan.
- Open the fire grate.

Fig. 20

ENGLISH



4. Lift out the ash pan and empty it into a non-combustible container.
5. Put the ash pan back in.
6. Replace the fire grate.

6.0 Maintenance

6.1 Cleaning the glass

The product is equipped with an air wash for the glass. Air is sucked in through the air vent on the top of the product and down along the inside of the glass.

However, some soot will always stick to the glass, but the quantity will depend on the local draught conditions and adjustment of the air vent. Most of the soot layer will normally be burned off when the air vent is opened all the way and a fire is burning briskly in the fireplace.

Good advice! For normal cleaning, moisten a paper towel with warm water and add some ash from the burn chamber. Rub it over the glass and then clean the glass with clean water. Dry well. If it is necessary to clean the glass more thoroughly we recommend using a glass cleaner (*follow the instructions on the bottle*).

6.2 Cleaning and soot removal

Soot deposits may build up on the internal surfaces of the fireplace during use. Soot is a good insulator and will therefore reduce the fireplace's heat output. If soot deposits accumulate when using the product, they can be easily removed by using a soot remover.

In order to prevent a water and tar layer from forming in the fireplace you should regularly allow the fire to burn hot in order to remove the layer. An annual internal cleaning is necessary to get the best heating effect from the product. It is a good idea to do this in connection with the sweeping of the chimney and flue pipes.

6.3 Sweeping of flue pipes to the chimney

On certain free-standing fireplaces the top plate can be lifted off and the pipe swept through the top.

Otherwise, flue pipes must be swept through the flue pipe sweeping hatch or through the product's door opening. Then, the baffle must be removed.

6.4 Inspection of the fireplace

Jøtul recommends that you personally inspect your fireplace carefully after sweeping/cleaning. Check all visible surfaces for cracks. Also check that all joints are sealed and that the gaskets are in the correct position. Any gaskets showing signs of wear or deformation must be replaced.

Thoroughly clean the gasket grooves, apply ceramic glue (available from your local Jøtul dealer), and press the gasket well into place. The joint will dry quickly.

6.5 Exterior maintenance

Painted products may change colour after several years usage. The surface should be cleaned and brushed free of any loose particles before new paint is applied.

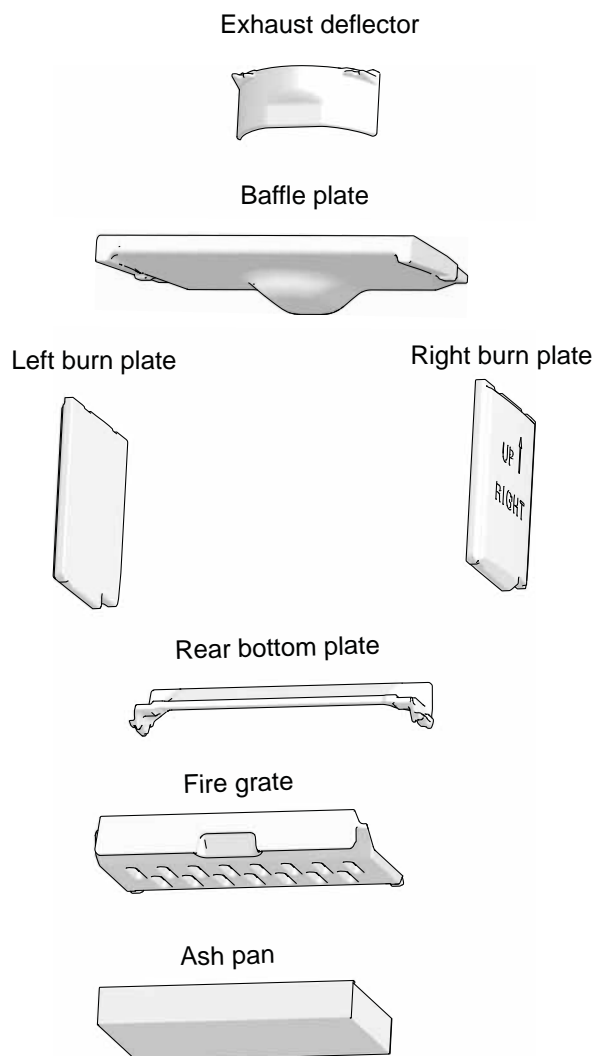
Important! Never place anything on the top plate of the stove. This could cause permanent damage to the paint or enamel.

7.0 Service

Any unauthorised modifications to the product are prohibited!
Only original spare parts may be used!

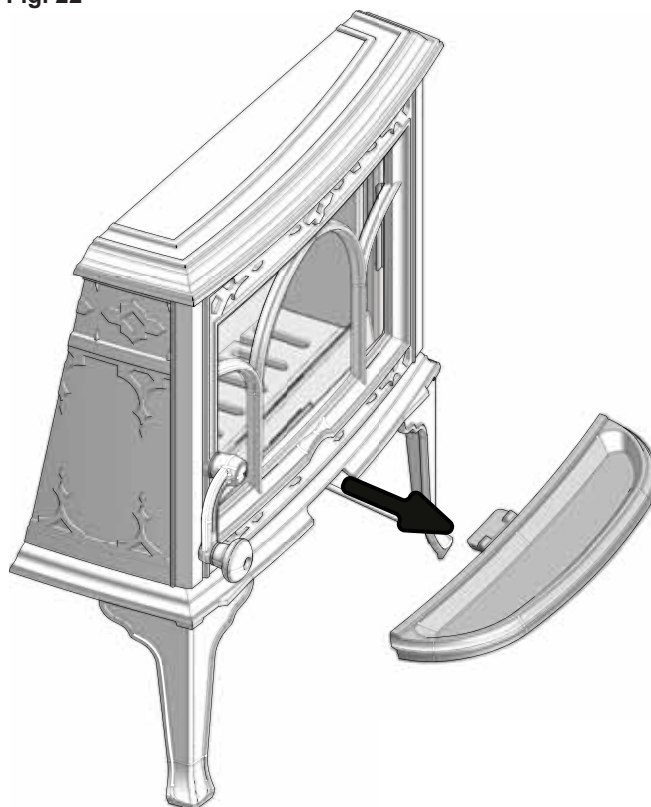
7.1 Replacing parts in the burn chamber

Fig. 21



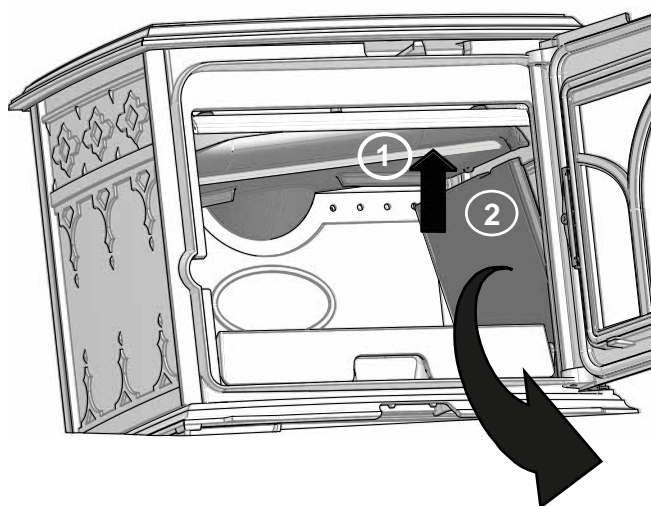
7.2 Replacing the baffle plate, burn plates and fire grate

Fig. 22



1. Remove the ash lip.

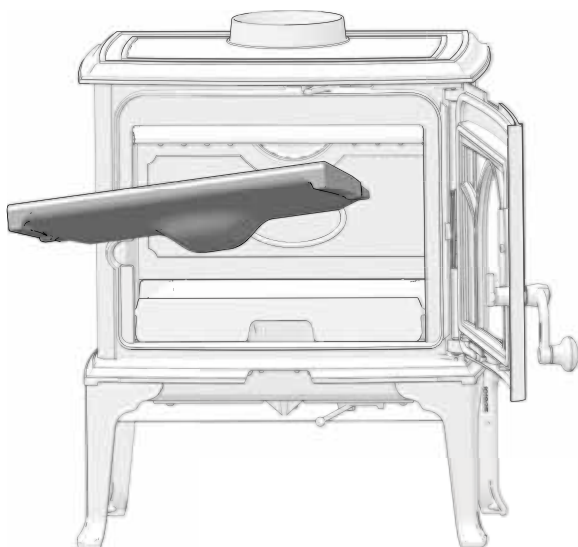
Fig. 23



2. Lift the baffle, which rests on the burn plates in one side. While holding the baffle plate, lift the burn plate on the same side and remove it out of the burnchamber.

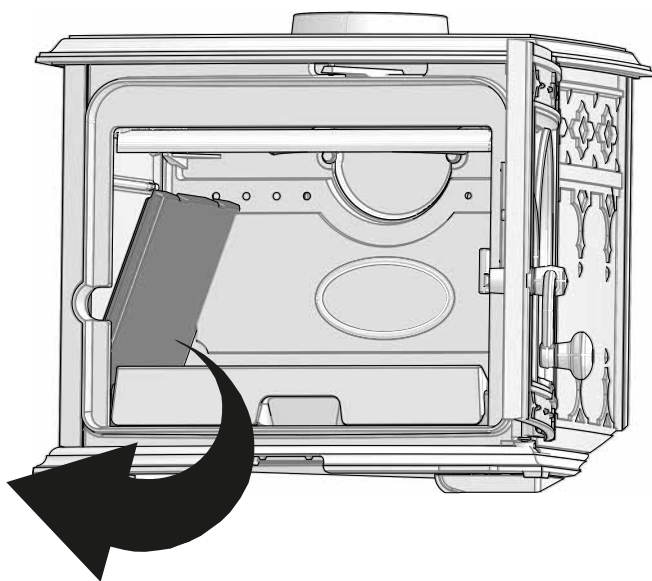
ENGLISH

Fig. 24



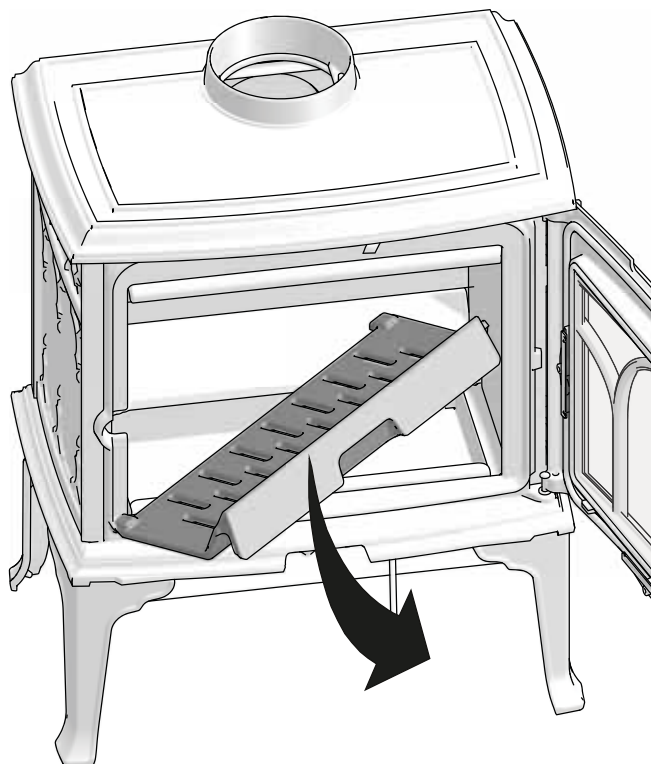
3. Tilt the baffle plate out.

Fig. 25



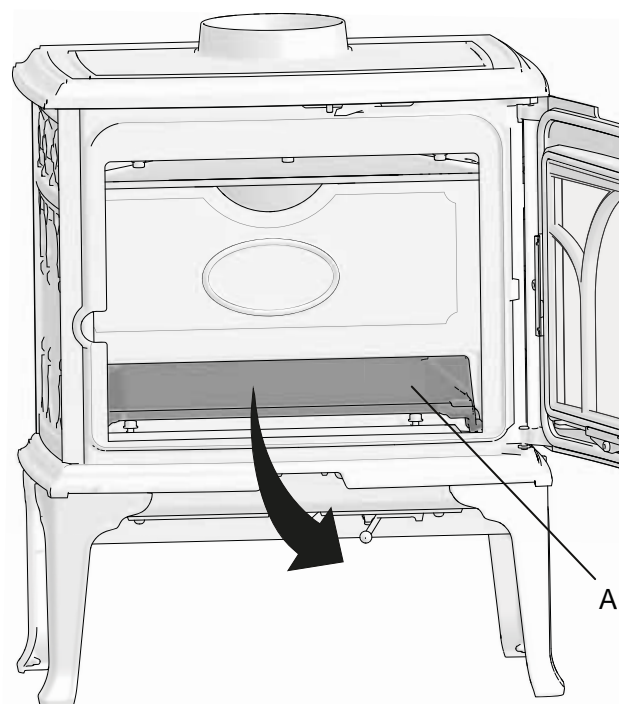
4. Then remove the other burn plate.

Fig. 26



- Lift the fire grate and tilt it out.

Fig. 27



- Remove the rear bottom plate (A).

When refitting:

- First place the rear bottom plate.
- Place the ash pan and the fire grate.
- Place the left side burn plate. Put the baffle plate on top and hold it until the other side burn plate is back in place .

8.0 Operational problems - troubleshooting

Poor draught

Check the length of the chimney and that it complies with national laws and regulations. (See also «**2.0 Technical data**» and «**4.0 Installation**» (**Chimney and flue pipe**) in the installation manual for information.)

Make sure that the minimum cross section on the chimney is according to «**2.0 Technical data**» in the installation manual.

Make sure that there is not anything preventing the smoke gasses from escaping: branches, trees, etc.

Upon suspicion of excessive/poor draught in the chimney, seek professional help for measurement and adjustment.

The fire extinguishes after a while

- Make sure that the firewood is sufficiently dry.
- Find out whether there is negative pressure in the house, close mechanical fans and open a window close to the fireplace.
- Check that the air vent is open.
- Check that the flue outlet is not clogged by soot.

Unusual amount of soot accumulates on the glass

Some soot will always stick to the glass, but the quantity depends on:

- Moisture in the fuel.
- The local draught conditions.
- Air vent opening.

Most of the soot will normally burn off when the air vent is opened all the way and a fire is burning briskly in the fireplace. (See «**6.1 Cleaning the glass**».)

9.0 Optional equipment

9.1 Additional heat shield, rear

Art. no. 50012956

9.2 Smoke outlet for UK, Ø 125 mm

Art. no. 51012033

10.0 Recycling

10.1 Recycling packaging

Your fireplace is delivered with the following packaging:

- A wooden pallet that can be cut up and burned in the fireplace.
- Cardboard packaging that should be taken to a local recycling facility.
- Plastic bags that should be taken to a local recycling facility.

10.2 Recycling the fireplace

The fireplace is made of:

- Metal that should be taken to a local recycling facility.
- Glass that should be disposed of as hazardous waste. The glass in the fireplace must not be placed in a regular source segregation container.
- Vermiculite burn plates that can be disposed of in regular waste containers.

11.0 Guarantee terms

1. Our guarantee covers:

Jøtul AS guarantees that the external cast-iron parts are free from defects in materials or manufacturing at the time of purchase. You may extend the guarantee on the external cast-iron parts to 25 years from the date of delivery by registering the product on jotul.com, and print out the extended guarantee card within three months of purchase. We recommend that the guarantee card be kept together with the receipt. Jøtul AS also guarantees that steel plate parts are free from defects in materials or manufacturing at the time of purchase for a period of 5 years from the date of delivery.

The guarantee applies on the condition that the stove has been installed by a qualified installer in accordance with applicable laws and regulations and Jøtul's installation and operating instructions. Repaired products and replacement items are guaranteed within the original guarantee period.

2. The guarantee does not cover:

- 2.1. Damage to consumables such as burn plates, fire grates, flue baffles, gaskets and similar as these deteriorate over time due to normal wear and tear.
- 2.2. Damage caused as a result of improper maintenance, overheating, use of unsuitable fuel (e.g. of unsuitable fuel are, but not limited to driftwood, impregnated wood, plank offcuts, chipboard) or too moist / wet wood.
- 2.3. Installation of optional extras for the purpose of rectifying local draught conditions, air supply or other circumstances beyond Jøtul's control.
- 2.4. Cases involving alterations / modifications to the fireplace without Jøtul's consent or the use of non-original parts.
- 2.5. Damage caused during storage at a distributor, transport from a distributor or during installation.
- 2.6. Products sold by unauthorized sellers in areas where Jøtul operates a selective distribution system.
- 2.7. Associated cost (e.g. but not limited to, transport, manpower, travel) or indirect damages.

Pellets stoves, glass, stone, concrete, enamel and paint finish (e.g. but not limited to chipping, cracking, bubbling or discolouration and crazing) are applicable to the national legislation governing the sale of consumer goods. This guarantee is valid for purchases made within the territory of the European Economic Area. All guarantee inquiries must be addressed to your local authorized Jøtul dealer within a reasonable amount of time, which shall not be later than 14 days from the date on which the fault or defect first became apparent. See list of importers and dealers on our web site www.jotul.com.

If Jøtul is unable to meet the obligations outlined in the above guarantee terms, Jøtul will offer a replacement product with a similar heating capacity free of charge.

Jøtul reserve the right to decline of any replacement of parts or service in the event that the guarantee is not registered online. This guarantee does not affect any rights under applicable national legislation governing the sale of consumer goods. The national complaint right applies from the purchase date and only in exchange for a receipt / serial number.

Sommaire

1.0 Relations avec les autorités	19
2.0 Données techniques	19
3.0 Sécurité	20
4.0 Installation	22
5.0 Utilisation au quotidien	27
6.0 Entretien.....	28
7.0 Maintenance	29
8.0 Dysfonctionnements - Causes et dépannages	31
9.0 Équipements disponibles en option ..	31
10.0 Recyclage	32
11.0 Conditions de garantie	32

Enregistrez votre insert sur jotul.com pour la garantie de 25 ans.

Product: Jøtul Room heater fired by solid fuel				CE
Standard	Minimum distance to adjacent combustible materials	Minimum distance to adjacent non-combustible materials	Emission of CO in combustion products	
Flue gas temperature	Nominal heat output	Efficiency	Operational range	
Fuel type	Operational type	The appliance can be used in a shared flue.		
Country	Classification	Certificate standard	Approved by	
Norway	klasse II			
Sweden	vec	SP	SP Sveriges Provnings- och Forskningsinstitut AB	
EUR	Intermittent	EN	SP Swedish National Testing and Research Institute	
Follow user's instructions. Use only recommended fuels. Montage- und Bedienungsanleitung beachten. Verwenden Sie nur empfohlenen Brennstoffen. Respectez les consignes d'utilisation. Utilisez uniquement les combustibles recommandés.				
Lot no: Y-xxxx, Year: 200x				
Manufacturer: Jøtul AS POB 1441 N-1602 Fredrikstad Norway		221546		

Tous nos produits sont livrés avec une étiquette reprenant le numéro de série et l'année. Reportez ce numéro à l'endroit indiqué dans les instructions d'installation.

N'oubliez pas de le mentionner à chaque fois que vous contactez votre revendeur ou Jøtul.

Lot no. Pin.

1.0 Relations avec les autorités

- L'installation d'un poêle est soumise aux législations et réglementations nationales en vigueur. Les réglementations locales, y compris celles se rapportant aux normes nationales et européennes, doivent être respectées lors de l'installation du produit.
- Veuillez lire attentivement le manuel d'installation et d'utilisation avant de procéder à l'installation. L'installation ne doit pas être utilisée avant d'avoir été inspectée et approuvée.

2.0 Données techniques

Matériau :	fonte
Finition :	peint noir
Combustible :	bois exclusivement
Longueur des bûches (maxi) :	35 cm
Raccordement :	supérieur, arrière
Diamètre de raccordement:	
- Intérieur:	Ø125mm/123cm ² section
- Extérieur:	Ø150mm/177cm ² section
Poids :	
Jøtul F 100 ECO.2 LL /	
Jøtul F 100 ECO.2 LL SE	89 kg
Jøtul F 100 ECO.2 SL /	
Jøtul F 100 ECO.2 SL SE	88 kg
Options :	Bouclier thermique supplémentaire
Dimensions, distances :	Voir fig. 1

Données techniques conformes à la norme EN 13240

Puissance nominale:	4,9 kW
Débit massique de fumées:	4,1 g/s
Tirage de cheminée, EN 13240 :	12 Pa
Tirage de fonctionnement :	16 - 18 Pa
Rendement :	80%
Émissions de CO (13 % O ₂) :	0,10 %
Émissions de CO (13 % O ₂) :	1213 mg / Nm ³
NOx à 13 % O ₂ :	86 mg / Nm ³
OGC à 13 % O ₂ :	98 mg C / Nm ³
Consommation d'air:	15-20 m ³ /h
Température de cheminée, EN 13240 :	271 °C
Poussières :	25 mg/Nm ³ @13%O ₂
Émissions de particules NS 3059 :	3,7 g / kg

Combustible :	Bois exclusivement
Longueur :	25-33 cm
Longueur maximale des bûches :	35 cm
Consommation horaire :	1,56 kg/h
Quantité de bois d'allumage max. :	2,1 kg
Quantité de bois d'allumage nominal :	1,23 kg
Fonctionnement :	Intermittent

Par fonctionnement intermittent, on entend une utilisation normale du poêle dans laquelle on ajoute du bois lorsqu'il ne reste plus que des braises.

Nous vous recommandons de vous inspirer des règles du D.T.U. 24.2.2. Vous devez lire entièrement le présent manuel avant de commencer l'installation et le conserver pendant toute la durée de l'utilisation du poêle.

3.0 Sécurité

Remarque : Afin d'assurer un niveau de rendement et de sécurité optimal, l'installation d'un poêle Jøtul doit être confiée à un installateur qualifié (voir www.jotul.com pour la liste complète de nos revendeurs).

Toute modification de l'appareil risque de compromettre le bon fonctionnement de l'appareil et de ses éléments de sécurité. Ceci s'applique également à l'installation d'accessoires ou d'équipements en option qui ne sont pas fournis par Jøtul. Ce risque peut par ailleurs survenir dans le cas où des pièces ou éléments essentiels pour le bon fonctionnement et la sécurité du poêle, ont été désassemblés ou retirés.

Dans tous ces cas, le fabricant ne pourra être tenu responsable pour le produit et le droit de recours à la garantie sera rendu nul et sans effet.

3.1 Mesures de prévention anti-incendie

Toute utilisation du poêle comporte un certain degré de risques. C'est pourquoi, il est indispensable de toujours respecter les consignes de sécurité suivantes :

- Les distances minimales à respecter en utilisant le poêle ressortent de la figure 1. La distance avec les matériaux inflammables et ininflammables spécifiée s'applique à ce poêle. Le poêle doit être installé avec un conduit de raccordement normalisé CE. La distance minimum entre les tuyaux et les matériaux combustibles doit aussi être respectée. Le poêle doit être placé de telle manière que le poêle, le tuyau et le conduit de cheminée puissent être nettoyés.
- Assurez-vous que les meubles et autres matériaux inflammables ne sont pas trop rapprochés du poêle. Pas de matériaux inflammables dans un rayon de 1000 mm du poêle.
- Laissez le feu s'éteindre de lui-même. Ne tentez jamais d'éteindre le feu avec de l'eau.
- Le poêle devient très chaud lorsqu'il est allumé et peut provoquer des brûlures à la personne qui le touche.
- Attendez que le poêle soit froid pour retirer les cendres. Les cendres pouvant encore contenir des braises, il convient de les recueillir dans un réceptacle ininflammable.
- Il convient d'épandre les cendres à l'extérieur ou de les vider dans un endroit ne présentant aucun risque d'incendie.

En cas de feu de cheminée:

- Fermer l'ensemble des trappes et des entrées d'air.
- Maintenir la porte de la chambre de combustion fermée.
- Contacter le service de sécurité incendie.
- Suite à un feu de cheminée, le poêle et la cheminée doivent être contrôlés par un spécialiste avant toute nouvelle utilisation afin de s'assurer que l'installation est opérationnelle.

3.2 Le sol

Il convient de s'assurer que le socle présente des dimensions adaptées au poêle. Voir «**2.0 Données techniques**» pour les normes de poids. Il est recommandé d'enlever le revêtement de sol si celui-ci n'est pas fixé (parquet flottant) pendant l'installation.

Il est recommandé d'enlever le revêtement de sol si celui-ci n'est pas fixé au socle (parquet flottant) pendant l'installation.

Protection d'un sol en bois

Jøtul F 100 ECO.2 SL et Jøtul F 100 ECO.2 SL SE (Special Edition) (avec pieds courts)

Le poêle Jøtul F 100 ECO.2 (avec pieds courts) peut être installé sur des sols où aussi bien la surface que la construction en soi sont en matériaux non combustibles. La surface non combustible doit présenter un prolongement d'au moins 350 mm devant le poêle.

Remarque : Nous déconseillons d'installer le poêle sur un plancher chauffant (à eau ou électrique).

Jøtul F 100 ECO.2 LL (pieds longs):

Jøtul F 100 ECO.2 comporte un bouclier thermique sur le dessous pour protéger le sol du rayonnement. Il peut donc être placé directement sur un parquet recouvert d'une plaque métallique ou de tout autre matériau non-inflammable adapté. L'épaisseur minimale recommandée est de 0,9 mm.

Jøtul recommande de retirer tout revêtement de sol combustible (linoléum, moquette, etc.) sur la surface couverte par la plaque de sol.

La plaque doit être conforme aux législations et aux réglementations nationales en vigueur. Contacter les autorités locales compétentes (construction) pour connaître les restrictions et les exigences liées à l'installation.

Exigences relatives à la protection d'un revêtement de sol combustible à l'avant du poêle

La plaque avant doit être conforme aux législations et aux réglementations nationales en vigueur.

Contactez les autorités locales compétentes (construction) pour connaître les restrictions et les exigences liées à l'installation.

3.3 Les murs

Distance recommandée séparant le poêle d'un matériau combustible - voir fig. 1

Le poêle doit être installé avec un conduit de raccordement normalisé CE. La distance minimum entre les tuyaux et les matériaux combustibles doit aussi être respectée.

Distance séparant le poêle d'un mur ininflammable

Exigences relatives au mur ininflammable

Le mur ininflammable doit faire au minimum 100 mm d'épaisseur ; il doit être en briques, en béton ou en béton léger. D'autres matériaux homologués peuvent également être utilisés.

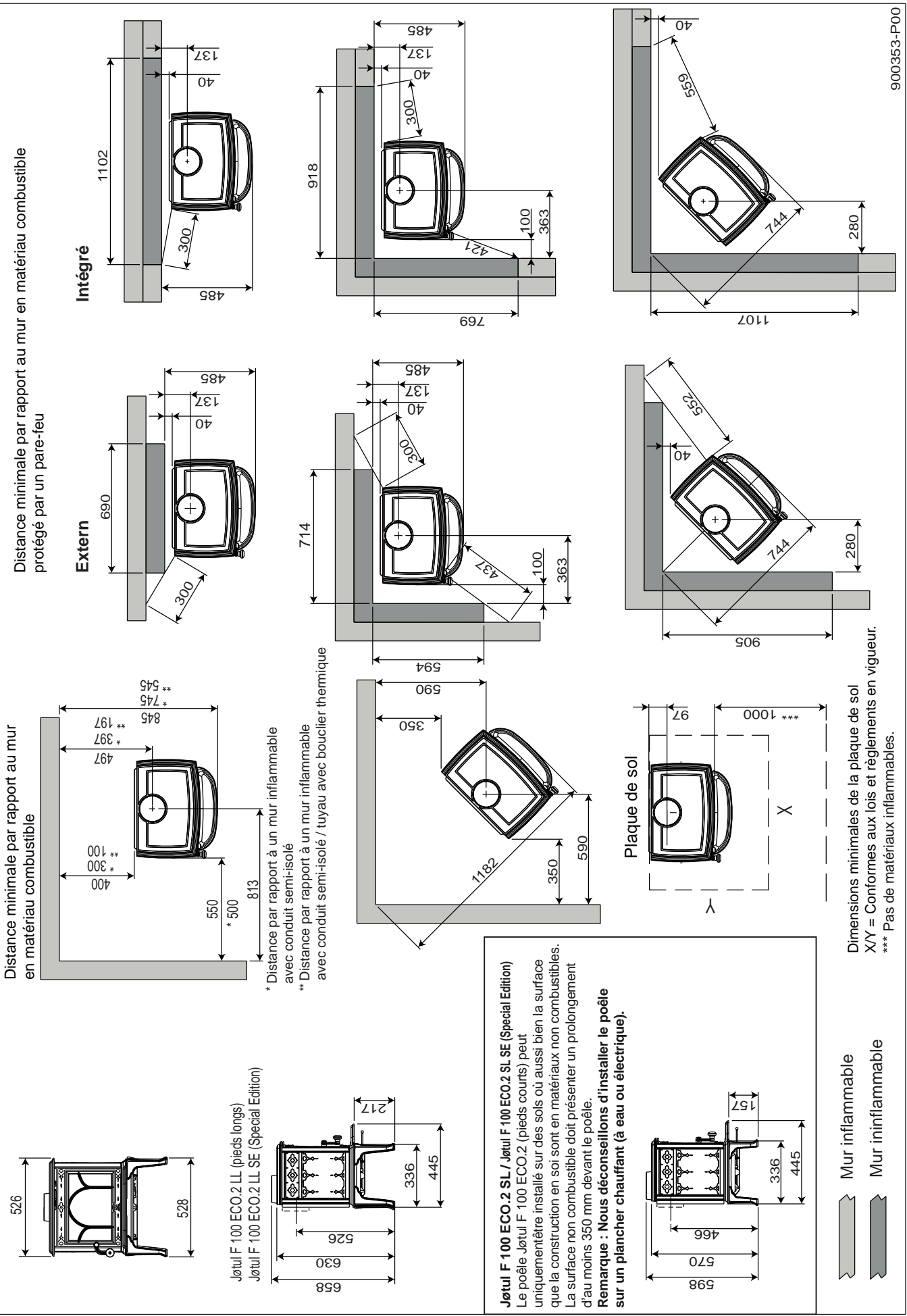
On entend par matériau incombustible la brique, le clinker, le béton, la laine de roche, le silicate de calcium, etc.

Note : Un faible écart par rapport à une cloison incombustible peut entraîner la dessiccation et la décoloration des peintures et provoquer des craquelures.

- Le poêle doit être installé de manière à permettre le nettoyage du poêle lui-même, du conduit de fumée et de la cheminée.
- Assurez-vous que les meubles et autres objets ne soient pas suffisamment proches pour être desséchés par le poêle. Aucun matériau inflammable ne doit se trouver à moins d'1 mètre du poêle.

Jøtul F 100 ECO.2

Fig. 1



900353-P00

FRANCAIS

3.4 Le plafond

Un espace d'au minimum 700 mm doit être respecté entre le poêle et un plafond combustible.

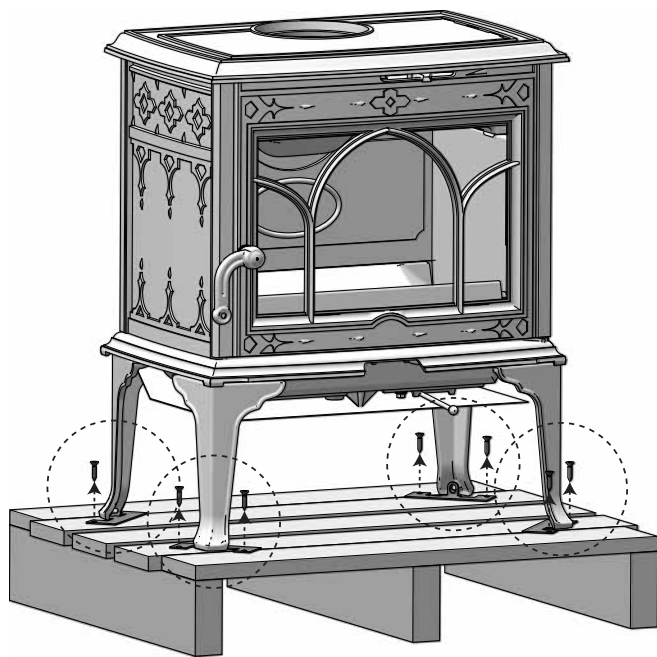
4.0 Installation

- Avant l'installation, vérifiez que le produit ne présente aucun dommage visible.
- Le produit est lourd ! Prévoyez de l'aide pour sa mise en place et son installation.
- S'assurer régulièrement que les entrées d'air de la pièce où le poêle est installé ne sont pas obstruées.
- **Assurez-vous qu'aucun meuble ou autre objet ménager ne se trouve trop près du poêle, auquel cas celui-ci pourrait les sécher.**

4.1 Avant l'installation

1. Le produit standard est fourni en un seul colis.
2. Lors du déballage du produit, sortez le pare-cendre, le raccord de sortie de fumée et le sachet de vis.

Fig. 3



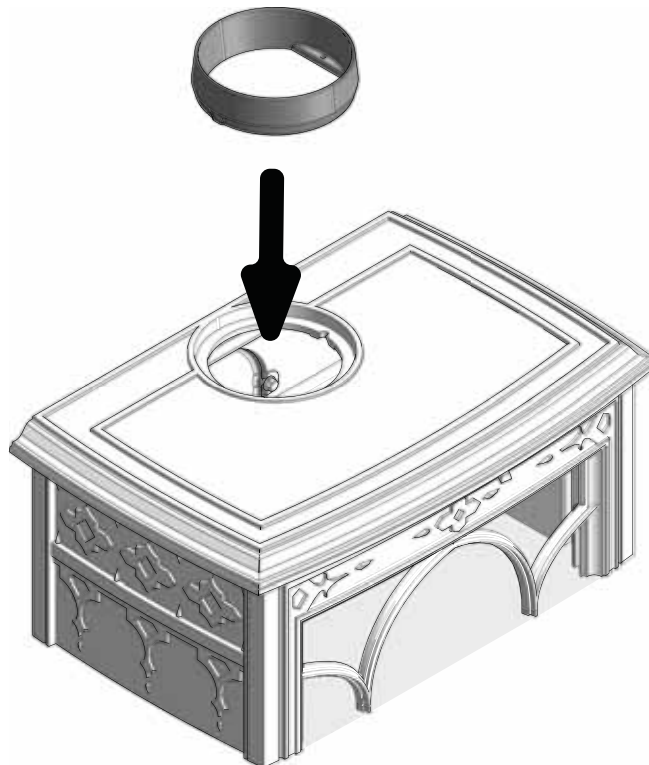
3. Enlevez les vis de transport.

4.2 Installation

Montage d'un conduit de fumée avec sortie par le haut

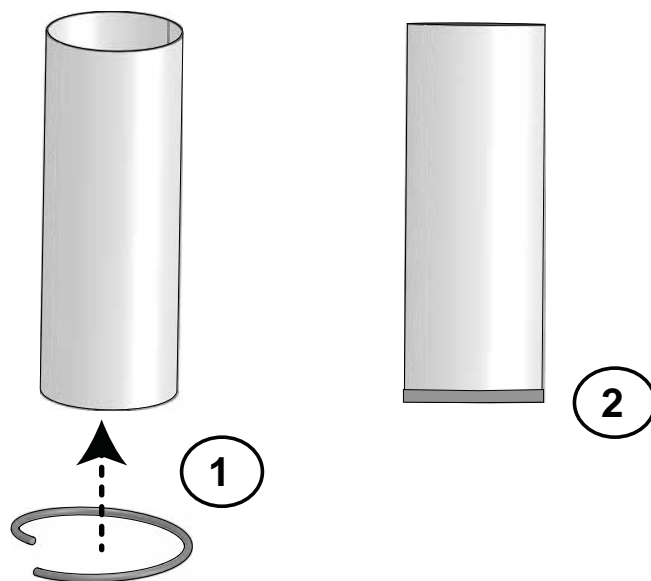
Le produit est installé en usine pour une sortie par le haut.

Fig. 4



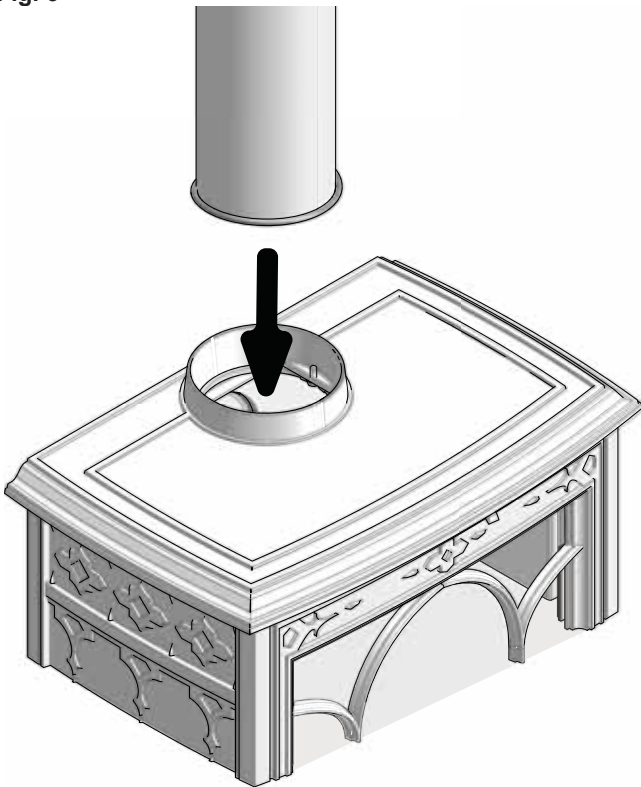
4. Fixez le raccord de sortie de fumée à la plaque supérieure à l'aide des deux vis.

Fig. 5



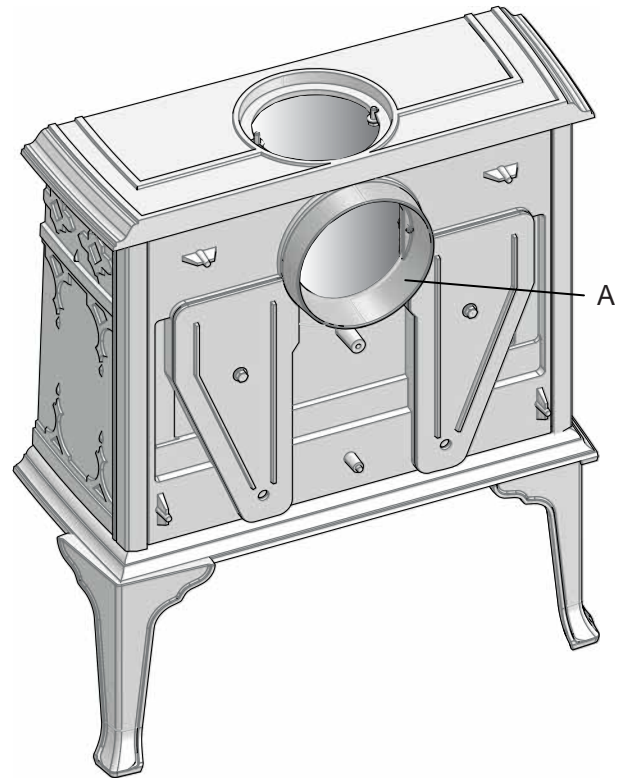
5. Enlevez le papier de protection du joint et installez ce dernier au bout du conduit de fumée, sur l'extérieur.

Fig. 6



6. Insérez le conduit de fumée dans le raccord de sortie de fumée.

Fig. 8



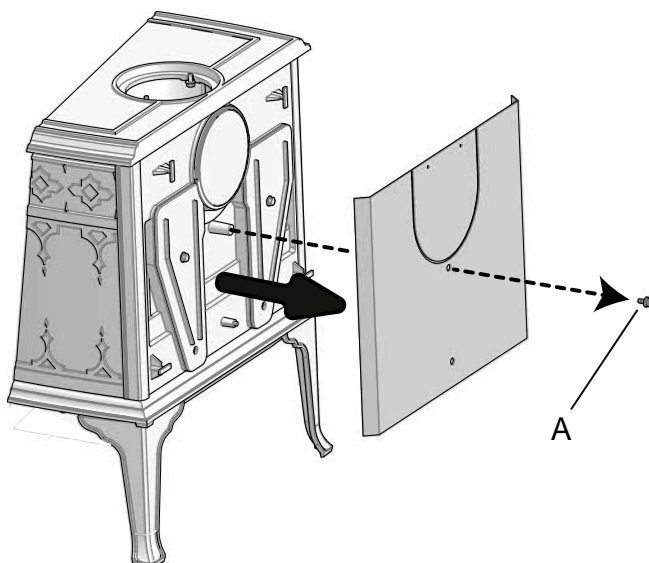
2. Montez le raccord de sortie de fumée (A) dans la sortie arrière.

Montage d'un conduit de fumée avec sortie par l'arrière

Le produit est installé en usine pour une sortie par le haut. Si vous souhaitez une évacuation par l'arrière, procédez comme suit :

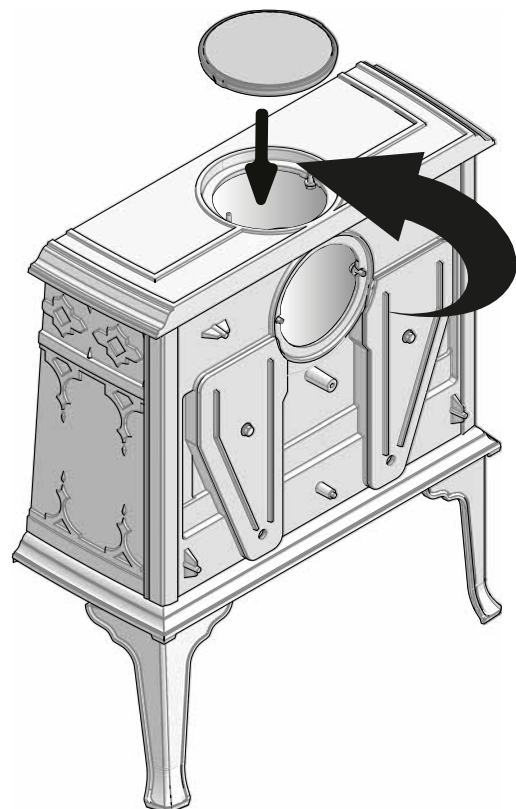
NB! Pour effectuer un changement, vous devez d'abord retirer plaque de la chicane - voir fig. 23 - 24. N'oubliez pas de le mettre en place plus tard.

Fig. 7



1. Retirez la vis (A) et le bouclier thermique arrière.

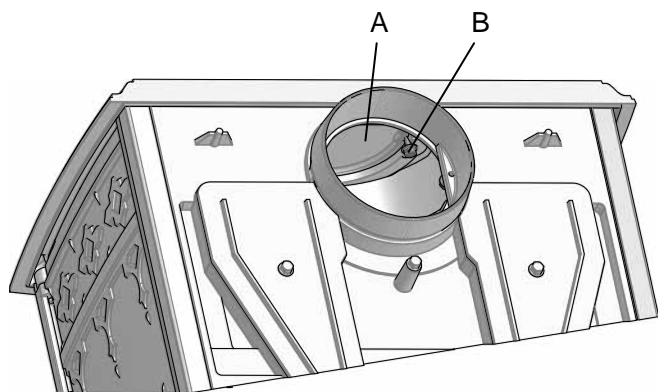
Fig. 9



3. Fixez le cache sur la plaque supérieure.

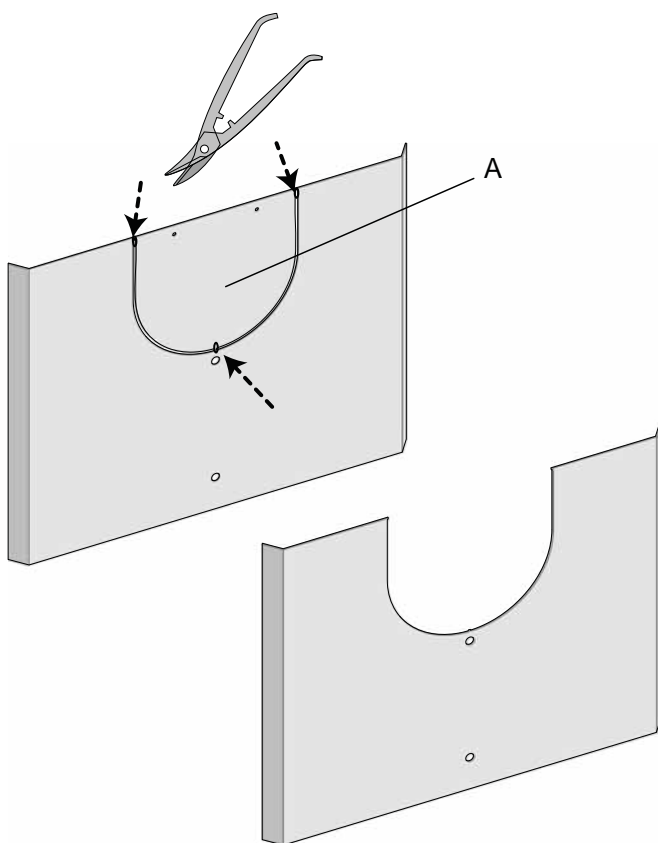
FRANCAIS

Fig. 10



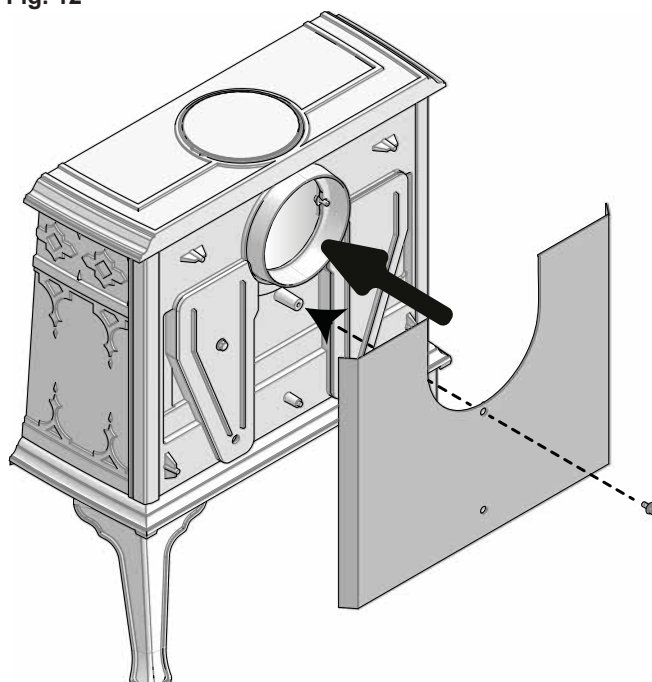
4. Fixez le cache (A) à l'aide des vis (B).

Fig. 11



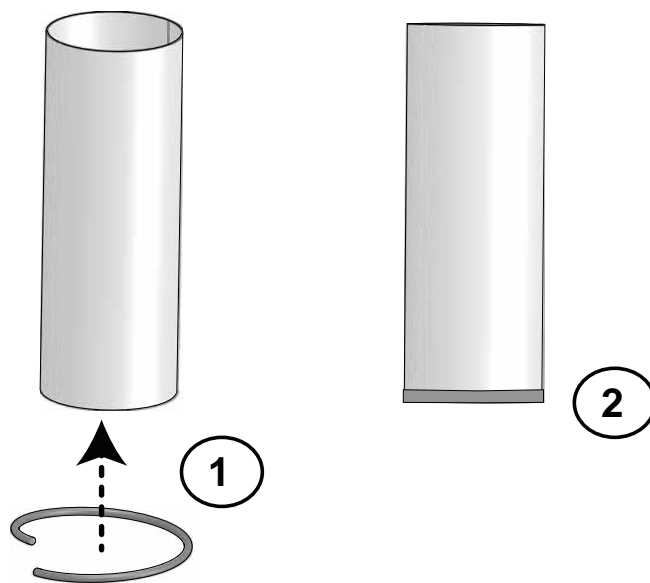
5. Effectuez une découpe (A) dans le bouclier thermique pour le passage du conduit de fumée.

Fig. 12



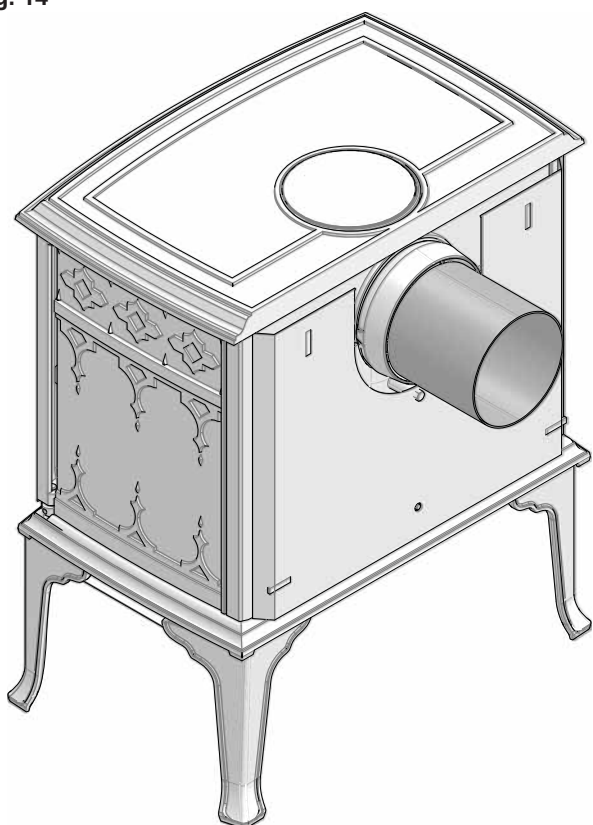
6. Montez le bouclier thermique sur le poêle.

Fig. 13



7. Enlevez le papier de protection du joint et installez ce dernier au bout du conduit de fumée, sur l'extérieur.

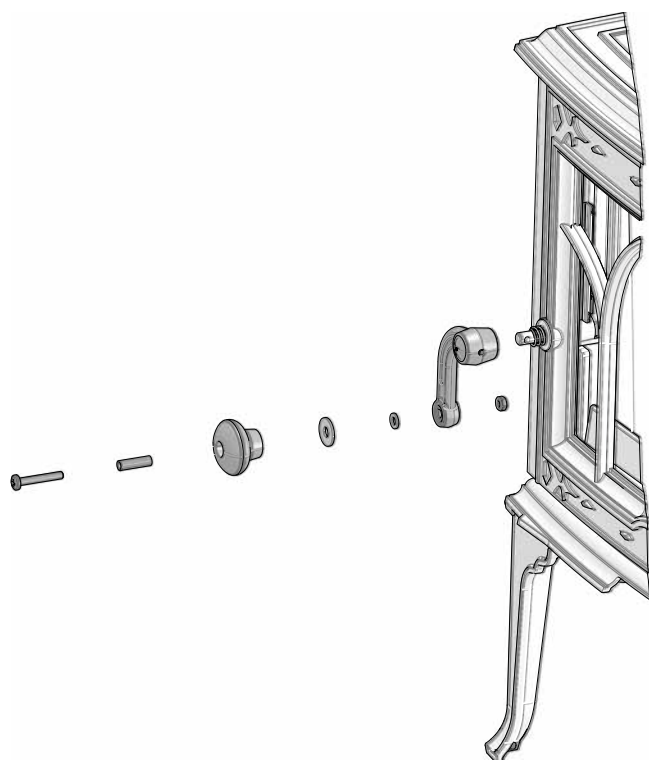
Fig. 14



8. Insérez le conduit de fumée dans le raccord de sortie de fumée.

Fixer la poignée de porte

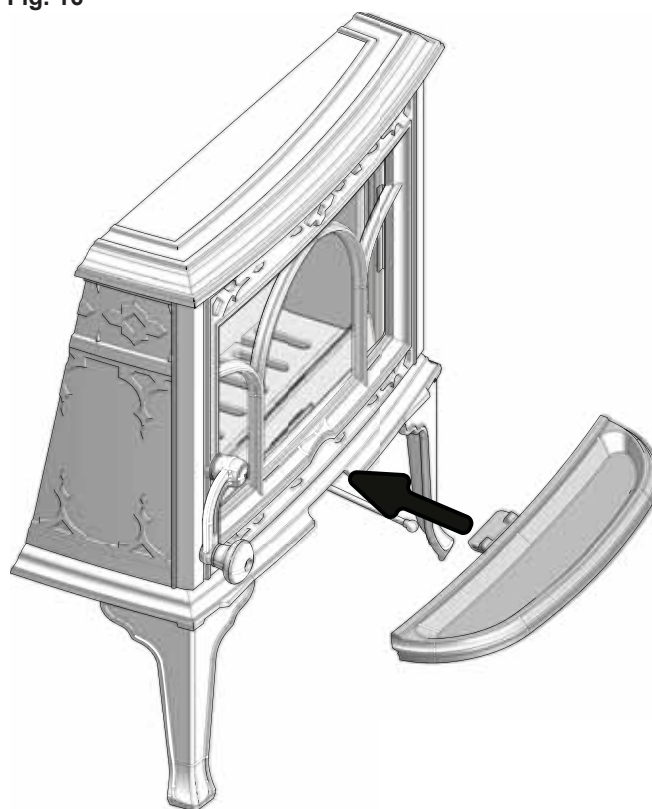
Fig. 15



- Vissez le bouton de porte sur la poignée.

La bavette

Fig. 16



- Suspendez la bavette sous la porte.

4.3 Cheminées et conduits

- Le poêle peut être branché à une cheminée et à un conduit approuvés pour les poêles à combustible solide, avec les températures de fumées spécifiées dans la section «**2.0 Données techniques**».
- La section minimale de la cheminée doit correspondre à celle du conduit. Pour calculer la section adéquate de la cheminée, voir la section «**2.0 Données techniques**».
- La distance avec les matériaux inflammables spécifiée s'applique à ce poêle.
- La distance minimum entre les tuyaux et les matériaux combustibles doit aussi être respectée.
- **Le raccordement à la cheminée doit être réalisé conformément aux D.T.U. 24.1 ; ainsi qu'aux instructions d'installation du fournisseur de la cheminée.**
- Une gaine fortement coudée et comportant des sections horizontales réduit fortement le tirage de la cheminée.
- Procéder à un montage d'essai du poêle avant de percer un trou dans la cheminée. Voir **fig. 1** pour les cotes.
- Raccordement arrière : veiller à ce que le conduit de raccordement soit incliné vers le haut.
- Utiliser un coude de conduit doté d'une trappe ou un té ou siphon afin de permettre les opérations de ramonage suivant règlement.
- Veiller à ce que les raccordements soient souples afin d'empêcher toute fissure lors de l'installation.
- Tirage recommandé; Voir également les sections «**2.0 Données techniques**». En cas de tirage trop important, utiliser un clapet ou un modérateur de tirage.

FRANCAIS

Quelle est l'influence du vent et de la météo sur l'appareil de chauffage ?

La force du vent sur la cheminée peut considérablement affecter les performances de l'appareil de chauffage. Il peut par conséquent être nécessaire d'ajuster l'alimentation en air pour garantir de bonnes performances de combustion. Il peut également être judicieux d'installer un clapet ou un modérateur de tirage dans le conduit de fumée pour adapter le tirage de la cheminée en fonction de la force du vent.

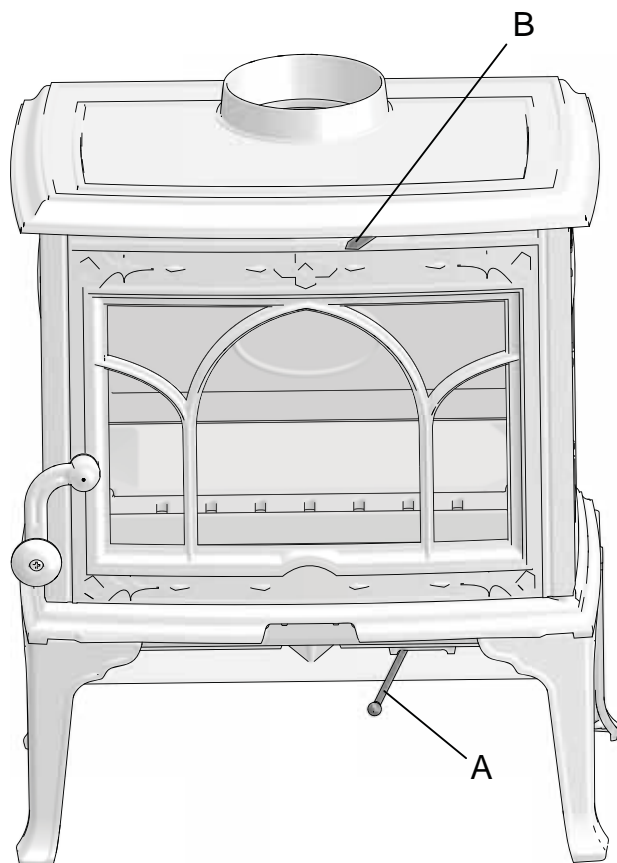
Le brouillard et la brume peuvent également avoir un impact important sur le tirage de la cheminée, et il peut être nécessaire d'utiliser d'autres paramètres d'air de combustion pour garantir de bonnes performances.

4.4 Test de fonctionnement

Une fois le poêle installé, vérifiez toujours les poignées de commande. Les éléments mobiles doivent fonctionner librement.

Fig. 17

Le poêle Jøtul F100 ECO.2: est équipé des commandes suivantes:



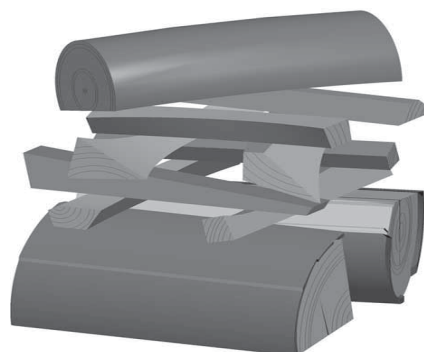
Registre d'air d'allumage (A) et de combustion (B)

Déplacer vers la gauche : Fermé
Déplacer vers la droite : Ouvert

4.5 Allumage

- Pousser la commande d'air d'allumage et la commande d'air de combustion complètement à droite. (utiliser un gant, par exemple, car les commandes peuvent devenir chaudes).
- Placer deux bûches de taille moyenne à l'entrée et au fond de la plaque de source. **N.B.** : pour éviter que de la suie ne se dépose sur le verre, veillez à ce que les bûches ne touchent pas le verre lorsqu'elles sont placées dans l'appareil.
- Placez des bûchettes allume-feu ou des écorces du bois de bouleau entre les bûches. Placez du bois finement fendu en croix sur le dessus. Allumez le feu.
- Augmentez graduellement la taille du feu sans que le bois ne s'empile au-delà des orifices horizontaux de la plaque de doublage arrière. **Remarque : La hauteur maximale de la pile de bois ne doit pas dépasser la ligne de trous horizontale. Ne pas recouvrir les trous.**
- Pour finir, placez une bûche de taille moyenne au sommet de la pile.
- Veillez à ce que la postcombustion s'amorce (présence de flammes jaunes et oscillantes sous le déflecteur).
- Vous pouvez régler la vitesse de combustion pour obtenir le degré de chauffage souhaité en ajustant le registre d'air frais.
- Fermez la porte. La porte doit toujours être fermée lorsque le feu est allumé.

Fig. 18



Ajouter du bois

Alimentez le poêle régulièrement mais n'ajoutez que de petites quantités de combustible à la fois. Si la combustion est trop vive, la contrainte thermique dans la cheminée risque de devenir excessive. Faites preuve de modération. Évitez les feux couvants car ils sont les plus polluants. Le feu est parfait lorsque le bois brûle bien et que la fumée qui sort de la cheminée est pratiquement invisible.

Risque de surchauffe

Ne surchauffez jamais le poêle

La surchauffe est provoquée par un excès de combustible et/ou d'air qui donne lieu à un dégagement de chaleur trop important. Lorsque le poêle devient incandescent par endroits, c'est un signe incontestable de surchauffe. Si le cas se produit, réduisez immédiatement l'apport d'air frais. En cas de surchauffe, la garantie ne pourrait pas être assurée.

Si vous pensez que la cheminée tire mal (tirage excessif ou

insuffisant), contactez un spécialiste. Pour plus de détails, reportez-vous à «4.0 Installation » (Cheminée et conduit d'évacuation).

Condensation

Il est possible de constater l'apparition de condensation dans la chambre de combustion et ou le conduit des fumées. Cela peut se produire suite à la combustion d'un bois humide ou bien à une différence de température importante entre le poêle/conduit et leur environnement.

Un écoulement de condensation prend la forme d'un liquide noir. Cet écoulement doit être nettoyé sans attendre pour éviter toute coloration du poêle, du sol, des murs ou des meubles sur lesquels le liquide aurait pu couler. Il est important d'avoir une bonne combustion (feu vif) pour éviter toute condensation (La combustion dégradée créée par la fermeture des arrivées d'air lorsque la combustion n'est pas terminée est à proscrire).

5.0 Utilisation au quotidien

Odeurs perceptibles lors de la première utilisation du poêle

Lors de la première utilisation, le poêle peut émettre un gaz irritant et dégager des odeurs désagréables. Ceci se produit lorsque la peinture sèche. Ce gaz n'est pas toxique, mais il est recommandé de bien aérer la pièce. Maintenir une température élevée dans le poêle jusqu'à qu'aucun gaz, fumée ou odeur ne puisse être détecté.

Laisser la porte ouverte pendant les premières minutes pour faire sécher la peinture et éviter le décolllement du joint de porte.

Conseils de chauffage

Remarque : Il est recommandé d'entrer les bûches qui ont été stockées à l'extérieur ou dans une pièce froide 24 heures avant de les brûler afin de les amener à température ambiante.

Il existe différentes manières de chauffer le poêle, mais soyez toujours attentif à ce que vous y mettez. Voir le chapitre intitulé « La qualité du bois ».

La qualité du bois

Par bois de qualité, nous entendons les essences les plus courantes telles que bouleau, épicéa et pin ou hêtre, chêne, érable.

Les bûches doivent sécher afin que leur teneur en eau ne dépasse pas 20 %.

Pour cela, il convient de couper le bois à la fin de l'hiver. Fendez-les et empilez-les pour permettre à l'air de bien circuler. Recouvrez les piles afin de protéger les bûches de la pluie. Entrez les bûches dans la maison au début de l'automne en vue de leur utilisation pendant l'hiver qui suit.

Soyez particulièrement attentif à ne jamais brûler les matériaux suivants dans le poêle :

- Les déchets ménagers, les sacs en plastique, etc.
- Le bois peint ou imprégné (très toxique).
- Le bois contreplaqué
- Le bois qui est resté dans l'eau
- Les chutes de menuiserie dont le bois est trop sec.
- Le bois de récupération de chantier

Le bois

Le poêle Jøtul F 100 ECO.2 Series délivre une puissance thermique nominale de 4,9 kW. Utilisation de bois avec puissance thermique nominale: env. 1,6 kg/h. L'efficacité de la combustion du bois dépend également d'un autre facteur tout aussi important, la dimension des bûches :

Bois d'allumage (bois fendu menu) :

Longueur : Environ 25-33 cm

Diamètre : 2 - 5 cm

Quantité nécessaire à l'allumage : 6 - 8 stk.

Bois (bois fendu) :

Longueur recommandée :25 - 33 cm

Diamètre : Environ 8 cm

Ajouter du bois toutes les : 45 minutes environ

Quantité de bois d'allumage : 1,23 kg (Puissance nominale)

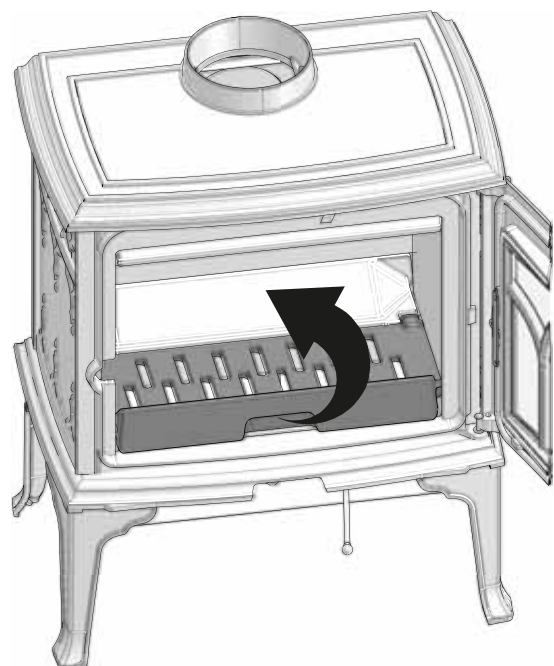
Quantité nécessaire à l'allumage : 2 stk.

La puissance de chauffage nominale est atteinte lorsque la prise d'air est ouverte d'environ 50 % (fig. 17), le registre d'allumage fermé.

Décendrage

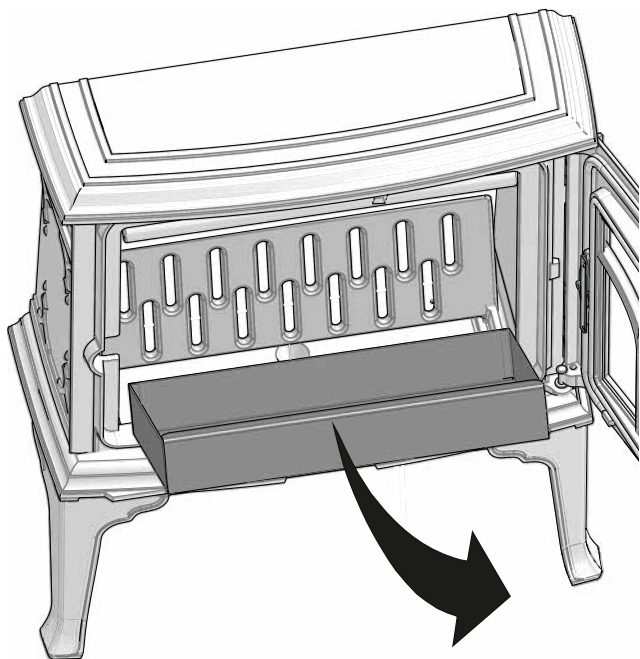
Le poêle Jøtul F 100 ECO.2 est équipé d'un cendrier qui facilite l'élimination des cendres. Enlevez les cendres uniquement lorsque le poêle est froid.

Fig. 19



1. Évacuez les cendres par la grille du bac à cendres. Idéalement, il faudrait laisser un peu de cendres afin de former une couche protectrice au fond du poêle.
2. Ouvrez la grille du poêle.

Fig. 20



3. Soulevez le bac à cendres et videz-le dans un récipient incombustible.
4. Remettez le bac à cendres en place.
5. Remontez la grille du poêle.

5.1 Utilisation sous différentes conditions météorologiques

L'effet du vent sur la cheminée peut, selon sa violence, influencer beaucoup sur le fonctionnement du poêle et nécessiter une régulation de l'arrivée d'air pour obtenir une bonne combustion. Il peut également être judicieux de monter un clapet sur le tuyau de manière à pouvoir réguler ainsi le tirage de la cheminée en fonction des sollicitations changeantes du vent.

Le brouillard peut aussi avoir une grande influence sur le tirage de la cheminée nécessitant d'autres réglages de l'arrivée d'air frais pour assurer une bonne combustion.

5.2 Cheminée

Le conduit de cheminée est un élément essentiel au bon fonctionnement d'un chauffage à bois.

Le tirage de la cheminée génère une dépression dans le poêle. Cette dépression évacue la fumée hors du poêle et, à travers le registre d'air de combustion, aspire de l'air qui alimente le processus de combustion.

L'air de combustion vient aussi balayer la vitre et y empêche ainsi le dépôt de suie.

Le tirage de la cheminée est généré par la différence de température entre l'intérieur de la cheminée et l'extérieur de la maison. Plus cette différence de température est élevée, meilleur est le tirage de la cheminée. Il est donc important que la cheminée atteigne sa température de service rapidement avant que soient réduites l'entrée d'air et la combustion dans le poêle (une cheminée en maçonnerie met plus de temps pour atteindre sa température de service qu'une cheminée en acier isolé).

Les jours où les conditions météorologiques et le vent sont défavorables, il est donc particulièrement important que la température de service de la cheminée soit atteinte le plus vite possible. Les flammes doivent vite être attisées. Conseil pratique : Fendez des bûchettes de bois particulièrement fines ; utilisez des blocs d'allumage supplémentaires etc.

Remarque : Après un arrêt prolongé de l'utilisation du poêle, il importe de vérifier que le conduit de cheminée n'est pas plus ou moins bouché.

6.0 Entretien

6.1 Nettoyage de la vitre

Le produit est équipé d'un système d'entrée d'air par le haut. L'air est aspiré au-dessus du poêle et circule le long de la vitre.

L'accumulation de suie sur la vitre est toutefois inévitable, la quantité de dépôts dépendant du taux d'humidité du combustible, des conditions de tirage et du réglage de l'entrée d'air supérieure. Une grande partie de cette suie est normalement consommée lorsque l'entrée d'air est ouverte à son maximum et en présence d'un feu vif dans le poêle.

Un bon conseil ! Pour les opérations courantes de nettoyage, humidifier un essuie-tout ou du papier journal ou une simple éponge à l'eau chaude. Frotter la vitre avec ce moyen puis rincer à l'eau claire et essuyer. Pour les tâches persistantes, il est recommandé d'utiliser un nettoyant à vitres. Ne jamais projeter le produit directement sur la vitre : il risque de détériorer les fixations de la vitre et le joint, ce qui peut entraîner la cassure de la vitre.

6.2 Nettoyage et élimination des dépôts de suie

Pendant l'utilisation, de la suie peut se déposer sur les surfaces internes du poêle. La suie est un bon isolant. Elle réduit donc la puissance thermique du poêle. Utiliser une brosse métallique pour retirer tout dépôt de suie dans le produit, sauf sur les plaques en vermiculite !

Laisser brûler vivement afin d'éviter tout dépôt de goudron et d'eau dans le poêle.

Un nettoyage annuel de l'intérieur du poêle est requis pour optimiser le rendement du produit. Cette opération peut être réalisée lors du ramonage des conduits et de la cheminée.

6.3 Ramonage des conduits d'évacuation vers la cheminée

Sur certains poêles autonomes, il est possible de soulever le couvercle et de ramoner le conduit par le haut.

Sinon, le ramonage des conduits doit s'effectuer à partir de la trappe de ramonage ou depuis l'intérieur du produit, auquel le déflecteur doit être retiré. Renseignez-vous auprès de votre distributeur Jøtul sur la réglementation à ce sujet.

6.4 Contrôle du poêle

Jøtul recommande que l'utilisateur contrôle personnellement et soigneusement le poêle suite à une opération de ramonage/nettoyage. Vérifier l'absence de fissures sur toutes les surfaces visibles. Vérifier également l'état et la bonne installation de tous les joints. Tout joint montrant des signes d'usure, de déformation ou de dureté doit être remplacé.

Nettoyer soigneusement les gorges de joint, appliquer de la colle céramique (disponible auprès des distributeurs Jøtul), puis insérer correctement le joint sans tirer dessus. Le séchage est rapide.

6.5 Entretien de la surface externe

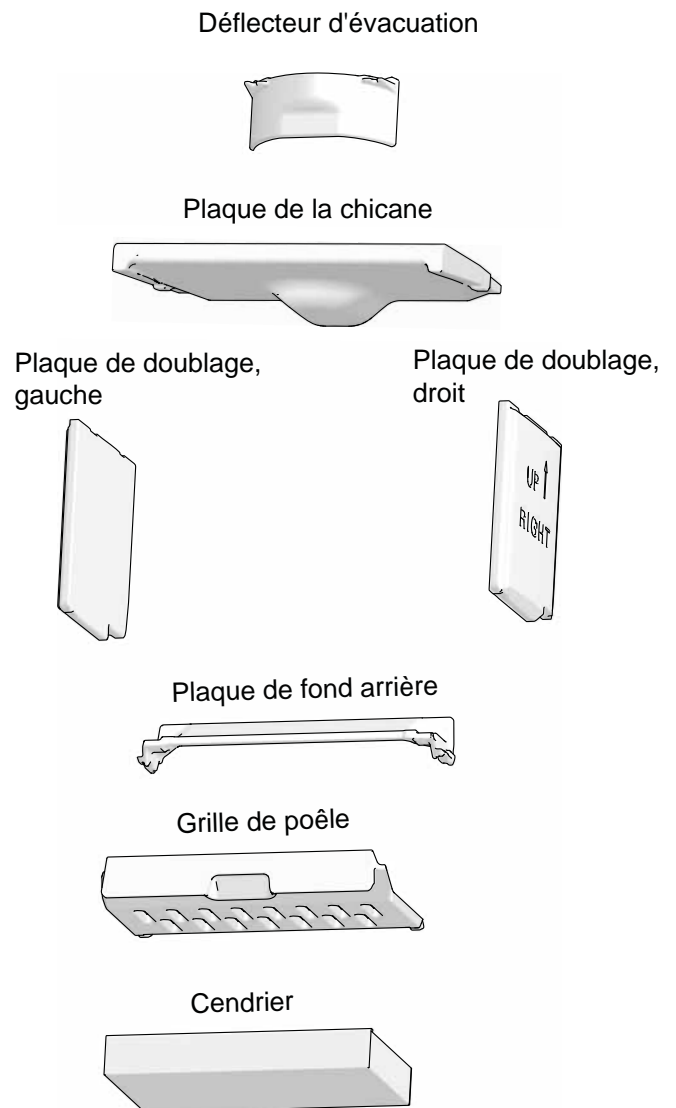
La couleur des produits peints peut se ternir après plusieurs années d'utilisation. Avant d'appliquer une nouvelle couche de peinture, brosser et laver la surface peinte pour en éliminer toutes les particules.

7.0 Maintenance

Toute modification non autorisée du produit est interdite. Utilisez uniquement des pièces de rechange d'origine.

7.1 Remplacement des pièces de la chambre de combustion

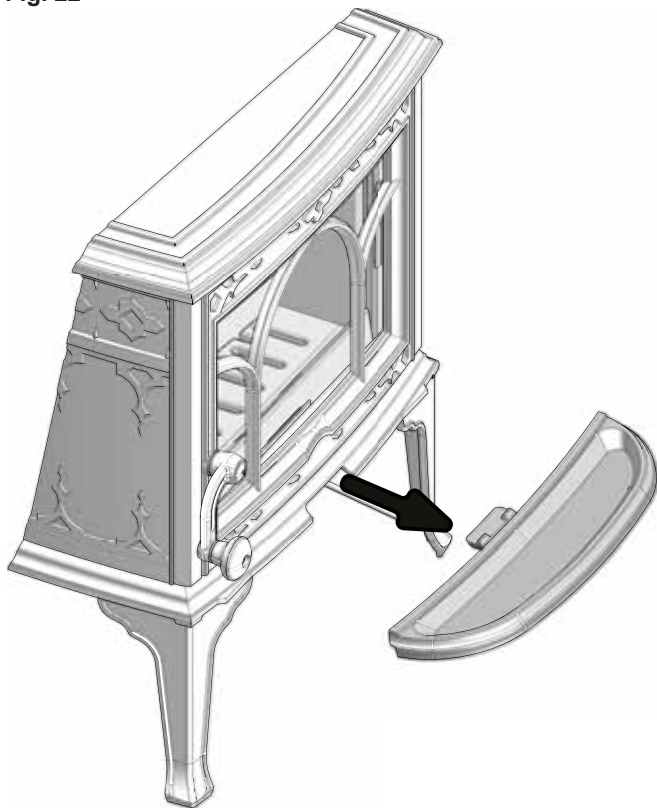
Fig. 21



FRANCAIS

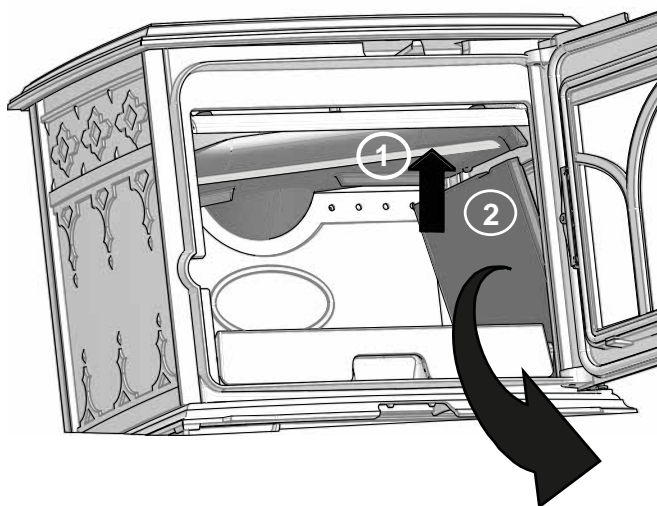
7.2 Remplacement de la plaque du déflecteur, des plaques de doublage et de la grille du poêle.

Fig. 22



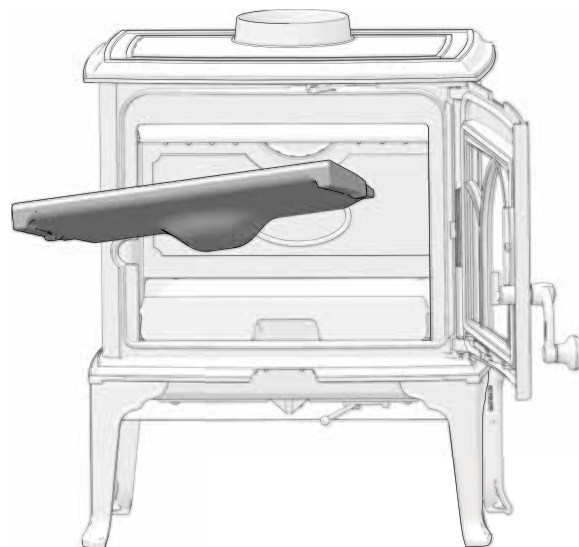
1. Enlevez la bavette.

Fig. 23



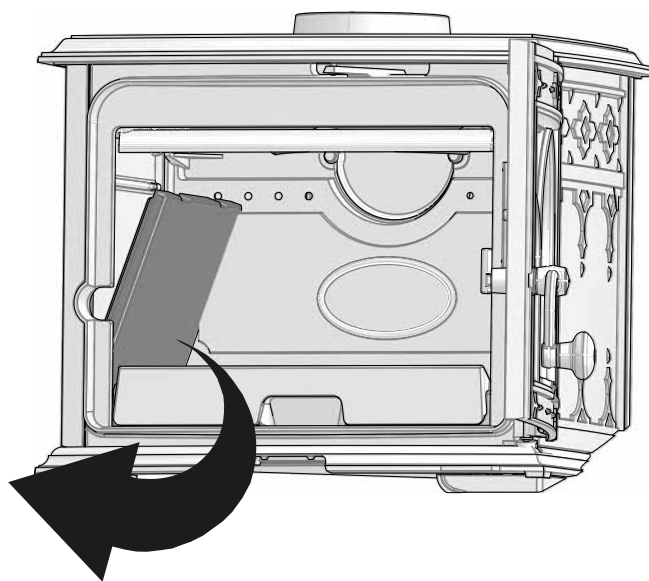
2. Soulevez le déflecteur qui repose d'un côté sur les plaques de doublage. Tout en maintenant le déflecteur, soulevez la plaque de
3. doublage sur le même côté et sortez-la de la chambre de combustion.

Fig. 24



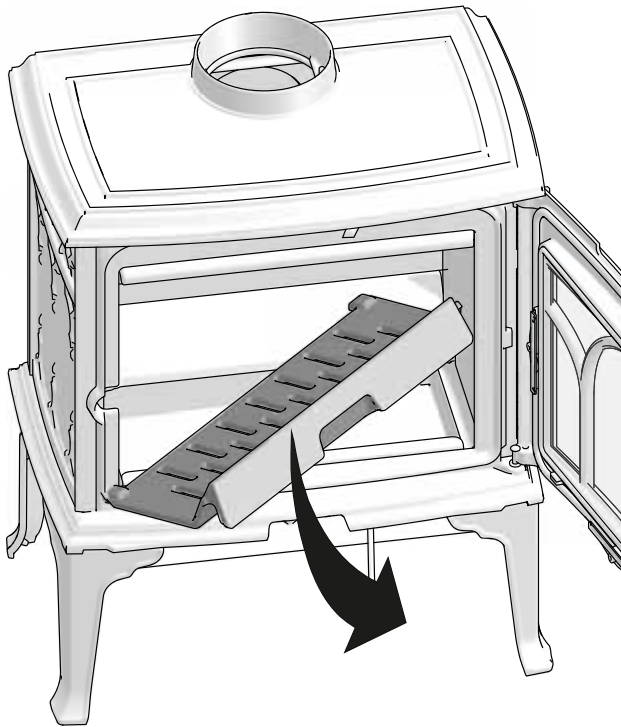
4. Sortez le déflecteur en biais.

Fig. 25



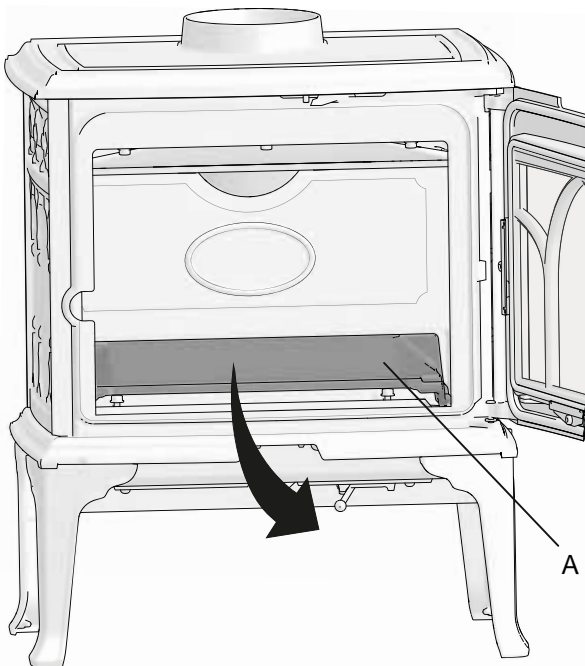
5. Sortez ensuite l'autre plaque de doublage.

Fig. 26



- Soulevez la grille du poêle et dégagez-la en biais.

Fig. 27



- Retirez la plaque de fond arrière (A).

Remontage:

- Placez en premier la plaque du fond arrière.
- Installez le bac à cendre et la grille de foyer.
- Placez la plaque de doublage gauche. Installez le déflecteur en haut et maintenez-le tout en mettant en place l'autre plaque de doublage.

9.0 Dysfonctionnements – Causes et dépannages

Tirage faible

Vérifier que la longueur de la cheminée est conforme aux législations et aux réglementations nationales en vigueur. (Voir aussi «**2.0 Données techniques**» et «**4.0 Installation**» (Cheminées et conduits) dans le manuel d'installation à ce sujet.)

Vérifier que la section minimale de la cheminée est conforme aux spécifications de la section «**2.0 Données techniques**» du manuel d'installation.

Vérifier que rien n'empêche l'évacuation des fumées : branches, arbres, etc.

Pour remédier à tout tirage semblant faible ou excessif, demander à un professionnel de vérifier et éventuellement de redimensionner la cheminée.

Le feu s'éteint rapidement

- Vérifier que le bois de chauffage est suffisamment sec.
- Vérifier l'absence d'aspiration dans la pièce. Arrêter toute ventilation mécanique et ouvrir une fenêtre à proximité de l'appareil..
- Vérifier que l'entrée d'air est ouverte.
- Vérifier que le conduit n'est pas obstrué.

Important dépôt de suie sur la vitre

L'accumulation de suie sur la vitre est inévitable, mais la quantité de dépôt varie en fonction :

- Du taux d'humidité du combustible.
- Des conditions locales de tirage.
- Du réglage de l'entrée d'air.

Une grande partie de cette suie est normalement consommée lorsque l'entrée d'air est ouverte à son maximum et en présence d'un feu vif dans le foyer pendant une dizaine de minutes.

8.0 Équipements disponibles en option

9.1 Bouclier thermique supplémentaire, arrière

Réf. no. 50012956

FRANCAIS

10.0 Recyclage

10.1 Recyclage de l'emballage

- Votre poêle est livré avec les emballages suivants :
- Une palette en bois qui peut être sciée et brûlée dans le poêle.
- Des emballages en carton qui doivent être déposés dans une station de recyclage près de chez vous.
- Des sacs en plastique qui doivent être déposés dans une station de recyclage près de chez vous, ou dans poubelle.

10.2 Recyclage du poêle

Le poêle est composé de :

- d'éléments métalliques qui doivent être déposés dans une station de recyclage près de chez vous.
- de verre qui doit être éliminé comme des déchets dangereux. Le verre dans le poêle ne doit pas être placé dans un conteneur de séparation à la source standard.
- de panneaux en vermiculite qui peuvent être déposés dans des conteneurs de déchets classiques.

11.0 Conditions de garantie

Applicables à partir du 1^{er} Septembre 2016 à tout produit Jøtul acheté auprès du réseau de revendeurs agréés Jøtul.

Félicitations pour votre achat d'un appareil Jøtul !

Depuis 1853, Jøtul est un fabricant renommé de foyers, cheminées et inserts durables et d'excellente qualité. La grande qualité de nos produits nous permet d'offrir à nos clients une garantie longue durée, et ce, sans frais supplémentaires.

Notre garantie couvre :

En plus de la garantie légale en vigueur, Jøtul France offre une garantie commerciale étendue à :

- 25 ans à compter de l'achat de l'appareil sur toutes les pièces en fonte des appareils à bûches, si vous enregistrez votre appareil sur le site www.jotul.com/fr dans les 3 mois suivant votre achat. Nous vous conseillons d'imprimer et de conserver votre justificatif d'enregistrement de garantie avec votre preuve d'achat. A défaut d'enregistrement, la garantie commerciale sera de 5 ans à compter de l'achat de l'appareil sur ces mêmes pièces.
- 5 ans sur les pièces en acier des appareils à bûches.

La garantie s'applique uniquement si l'appareil a été installé par un revendeur agréé du réseau Jøtul, conformément à la réglementation en vigueur et aux instructions d'installation et d'utilisation décrites dans le manuel de l'appareil.

Les appareils réparés ou les appareils de remplacement, ne donnent en aucun cas droit à une prolongation de garantie. Ils sont donc garantis pour la durée restante de la garantie initiale.

Notre garantie commerciale ne couvre pas :

- Les pièces d'usure, telles que les composants de la chambre de combustion (déflecteurs, joints, plaques de doublage, etc.), car ces pièces s'usent avec le temps lors d'une utilisation normale,

- Les vitres, la peinture, l'émail, les pierres naturelles, les éléments en béton et tous les revêtements décoratifs,
- Les dommages liés à une mauvaise utilisation : combustible inapproprié ou de mauvaise qualité, surchauffe, défaut d'entretien, non respect des instructions d'utilisation décrites dans le manuel de l'appareil, etc,
- Les dommages liés au transport ou à une mauvaise installation de l'appareil,
- Les cas impliquant des modifications de l'appareil sans le consentement de Jøtul ou l'utilisation de pièces qui ne sont pas d'origine,
- Les frais annexes (frais de port, déplacement, main d'œuvre, etc...), ni les dommages indirects.

La demande de garantie doit être effectuée auprès de votre revendeur agréé du réseau Jøtul, dans les 14 jours suivant la survenance du défaut. Voir liste de nos revendeurs sur notre site internet. Elle doit être accompagnée de votre preuve d'achat de l'appareil (facture) et de votre justificatif d'enregistrement de garantie.

Si Jøtul se trouve dans l'incapacité d'assumer la prise en charge sous garantie de votre appareil, Jøtul remplacera gratuitement votre produit par un appareil de puissance similaire.

Cette garantie est exclusive de toute autre garantie et prévaut sur toute autre garantie accordée par toute autre société du groupe Jøtul.

Índice

1.0	Relación con las autoridades.....	33
2.0	Información técnica	33
3.0	Seguridad.....	34
4.0	Instalación	36
5.0	Uso diario.....	41
6.0	Mantenimiento	42
7.0	Conservación	43
8.0	Problemas de funcionamiento : solución de problemas	45
9.0	Equipo opcional	45
10.0	Reciclaje	46
11.0	Garantía.....	46

Registre su chimenea en jotul.com y disfrute de 25 años de garantía.

Product: Jøtul Room heater fired by solid fuel				CE	
Standard	Minimum distance to adjacent combustible materials:				
	Minimum distance to adjacent combustible materials:				
	Emission of CO in combustion products:				
	Flue gas temperature				
	Nominal heat output				
	Efficiency				
	Operation range				
	Fuel type				
	Operational type				
The appliance can be used in a shared flue.					
Country	Classification	Certification standard	Approved by		
Norway	Klasse II				
Sweden	ccc	SP	SP Sveriges Provning- och Forskningsinstitut AS		
EUR	Intermittent	EN	SP Swedish National Testing and Research Institute		
Follow user's instructions. Use only recommended fuels. Montage- und Bedienungsanleitung beachten. Verwenden Sie nur empfohlenen Brennstoffen. Respectez les consignes d'utilisation. Utilisez uniquement les combustibles recommandés.					
Lot no: Y-xxxx, Year: 200x					
Manufacturer: Jøtul AS POB 1 641 N-1602 Fredrikstad Norway		221546			

Todos nuestros productos disponen de una etiqueta que indica su número de serie y año. Escriba este número en el lugar indicado para ello en las instrucciones de instalación.

Indique siempre este número cuando se ponga en contacto con su distribuidor o con Jøtul.

Lot no. Pin.

1.0 Relación con las autoridades

La instalación de una estufa debe efectuarse con arreglo a la normativa legal de cada país. La instalación del producto debe cumplir toda la normativa local en vigor, incluyendo la que se aplica a nivel nacional y europeo.

La instalación sólo puede utilizarse una vez que haya sido revisada por un inspector cualificado.

2.0 Información técnica

Material:	Hierro fundido
Esmalte negro	
Combustible:	Madera
Longitud máxima de los troncos:	
Salida del tubo de humos:	Superior, posterior
Dimensión del tubo de humos:	
- interior:	Ø125mm/123cm ² sección transversal de
- exterior:	Ø150mm/177cm ² sección transversal de

Peso con:

Jøtul F 100 ECO.2 LL / Jøtul F 100 ECO.2 LL SE	89 kg
Jøtul F 100 ECO.2 SL / Jøtul F 100 ECO.2 SL SE	88 kg
Suplementos opcionales:	Pantalla térmica, posterior, adicional
Dimensiones, distancias:	Vea la figura 1

Especificaciones técnicas conforme a EN 13240

Potencia calorífica nominal:	4,9 kW
Volumen de humos:	4,1 g/s
Tiro de la chimenea, EN 13240:	12 Pa
Presión negativa recomendada en la salida de humos:	16 - 18 Pa
Rendimiento:	80%
Emisiones de CO (13% O ₂):	0,10 %
Emisiones de CO (13% O ₂):	1213 mg / Nm ³
Nox al 13% O ₂ :	86 mg / Nm ³
OGC al 13 % O ₂ :	98 mg C / Nm ³
Consumo de aire:	15-20 m ³ /h
Temperatura de la chimenea, EN 13240:	271 °C
Polvo:	25 mg/Nm ³ @13%O ₂
Emisión de partículas NS 3059:	3,7 g / kg

Tipo de combustible:	Madera
Longitud de leño recomendado:	25-33 cm
Longitud máx. de leño:	35 cm
Consumo de combustible:	1,56 kg/h
Consumo máx. de leña:	2,1 kg
Cantidad máx. de leña:	1,23 kg
Funcionamiento:	Intermitente

Combustión intermitente se refiere al uso normal de una estufa, es decir, añadida más combustible cuando el fuego haya quedado reducido a rescoldos.

3.0 Seguridad

N. B.: para garantizar un rendimiento y seguridad óptimos, Jøtul recomienda que sus estufas sean instaladas por un instalador cualificado (consulte la lista íntegra de distribuidores en www.jotul.com).

- Cualquier modificación del producto puede motivar que el producto y sus prestaciones de seguridad no funcionen del modo previsto. Esto también se aplica a la instalación de accesorios o extras opcionales suministrados por terceros. Lo mismo puede suceder si se desmontan o retiran componentes esenciales para el funcionamiento y la seguridad de la estufa.
- En cualquier caso, el fabricante no se hará responsable del producto y el derecho a realizar una reclamación quedará anulado y sin validez.

3.1 Medidas de prevención de incendios

Existe un cierto elemento de riesgo cada vez que se usa la estufa. Por lo tanto, deben respetarse las siguientes instrucciones:

- Las distancias mínimas de seguridad al utilizar la estufa se muestran en la **fig. 1**. La distancia especificada a los materiales combustibles se aplica a este horno. El horno debe instalarse con tubos de humos con aprobación CE. La distancia entre el tubo de humos y materiales combustibles tiene también que considerarse.
- Asegúrese de que no haya muebles ni otros elementos inflamables demasiado cerca de la estufa. Los elementos inflamables no deberían estar a menos de **1000 mm** de la estufa.
- Deje que el fuego se consuma por sí solo. Nunca apague las llamas con agua.
- La estufa se calienta cuando está encendida y puede causar quemaduras si se toca.
- Saque las cenizas solo con la estufa fría. Las cenizas pueden contener rescoldos calientes y, por lo tanto, deberán ponerse en un recipiente no inflamable.
- Las cenizas deberán sacarse al exterior o vaciarse en un lugar donde no supongan un riesgo de incendio.

Si se produce un incendio en la chimenea

- Cierre todas las trampillas y los respiraderos.
- Cierre la puerta de la estufa.
- Llame a los bomberos.
- Después de producirse un incendio, un experto deberá comprobar la estufa y la chimenea antes de utilizarse para asegurar que funciona correctamente.

3.2 Suelo

Anclaje, base

Debe verificar que la base se adecue a la instalación de una estufa. Compruebe el peso especificado en «**2.0 Especificaciones técnicas**».

Se recomienda retirar el revestimiento del suelo que no vaya fijado a la superficie correspondiente («suelos flotantes»).

Requisitos para la protección de tarimas de madera bajo la estufa

Jøtul F 100 ECO.2 SL y Jøtul F 100 ECO.2 SL SE (Special Edition) (Patatas cortas)

La estufa Jøtul F 100 ECO.2 con patas cortas solo se puede instalar sobre suelos en los que tanto el revestimiento como la base sean de materiales incombustibles.

El área de suelo incombustible debe prolongarse al menos 350 mm alrededor de la estufa.

N.B.: En esta zona, desaconsejamos la instalación de suelo radiante, ya sea por agua o eléctrico.

Jøtul F 100 ECO.2 LL (con patas largas):

La Jøtul F 100 ECO.2 lleva un escudo térmico en la parte inferior con el fin de proteger el suelo del irradiado. Por lo tanto, el producto se puede colocar directamente sobre un suelo de madera previamente cubierto con una placa de metal u otro material adecuado no inflamable. El espesor mínimo recomendado es de 0,9 mm.

Si el suelo de debajo de la estufa está revestido de un material combustible, como linóleo, alfombras, etc, recomendamos retirarlo.

Consulte a las autoridades locales en materia de construcción sobre posibles restricciones y requisitos de instalación.

Requisitos para la protección de suelos inflamables delante de la estufa

La placa frontal debe cumplir la normativa legal nacional. Póngase en contacto con el organismo local regulador de la construcción para informarse sobre las restricciones y los requisitos de la instalación. El grosor mínimo recomendado es 0,9 mm. **La placa delantera/la placa de piso debe ajustarse a las leyes y normas nacionales.**

3.3 Paredes

Distancia a paredes de material combustible (figura 1)

El horno debe instalarse con tubos de humos con aprobación CE. La distancia entre el tubo de humos y materiales combustibles tiene también que considerarse.

Distancia mínima a una pared de material combustible protegida con cortafuegos - Vea la figura 1.

Requisitos del cortafuegos

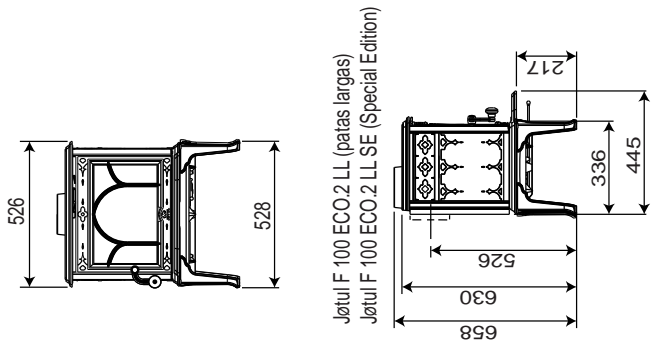
El muro cortafuegos debe tener un grosor mínimo de 100 mm y estar hecho de ladrillo, hormigón armado u hormigón ligero. También pueden utilizarse otros materiales y estructuras que cuenten con la documentación correcta.

Por materiales incombustibles se entiende materiales como el ladrillo, el clinker, el hormigón, la lana mineral, las placas de silicato, etc. (materiales que no se queman). Nota Una distancia corta a una pared no combustible puede provocar la desecación y la decoloración de la pintura, y provocar grietas.

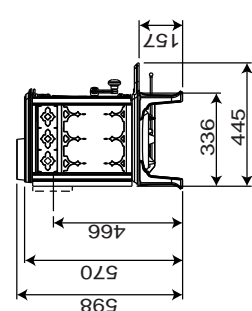
- La estufa debe instalarse de tal manera que esta misma, el tubo de humos y la chimenea puedan limpiarse.
- Asegúrese de que los muebles y otros enseres estén a una distancia de la estufa que evite que se sequen con el calor. Los materiales inflamables no deben colocarse a menos de 1000 mm de la chimenea.

Jøtul F 100 ECO.2

Fig. 1

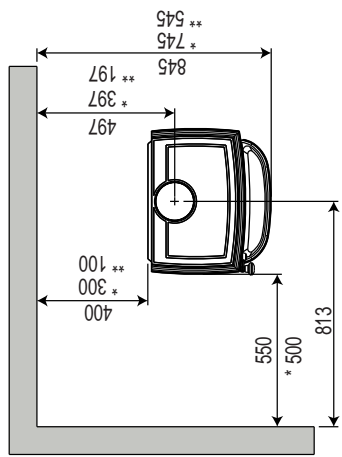


Jøtul F 100 ECO.2 SLy
Jøtul F 100 ECO.2 SL SE (Special Edition) (con patas cortas)
La estufa Jøtul F 305 con patas cortas solo se puede instalar sobre suelos en los que tanto el revestimiento como la base sean de materiales incombustibles. El área de suelo incombustible debe prolongarse al menos 350 mm alrededor de la estufa.
En esta zona, desaconsejamos la instalación de suelo radiante, ya sea por agua o eléctrico.

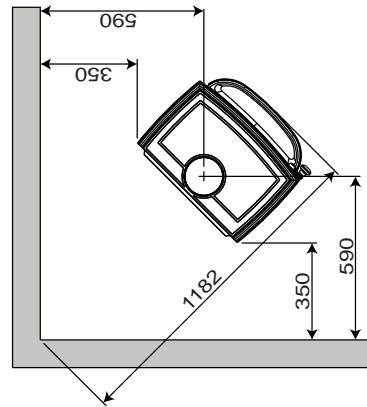


▬ Pared de material combustible
▬ Muro cortafuegos

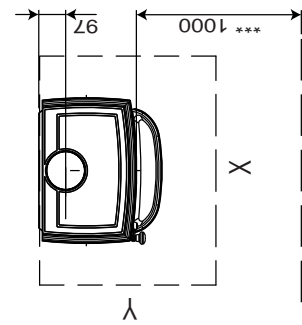
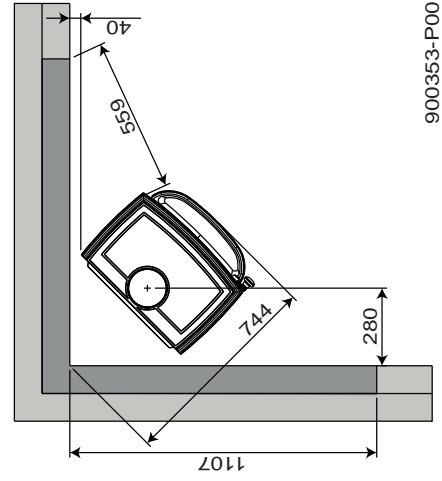
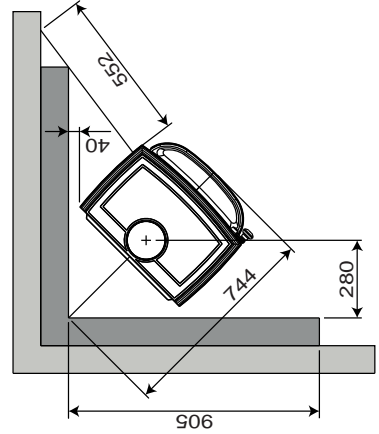
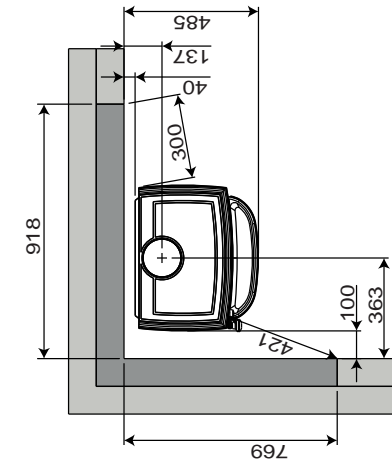
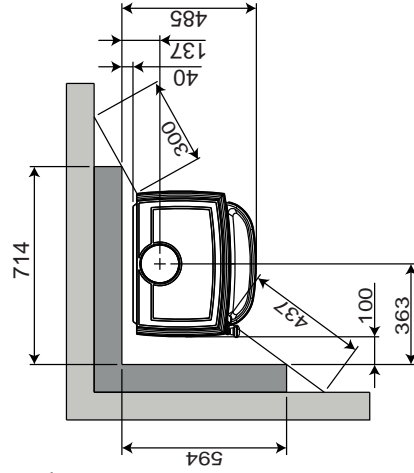
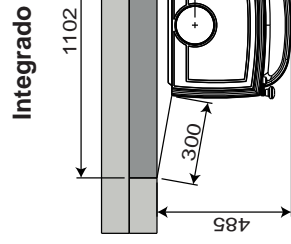
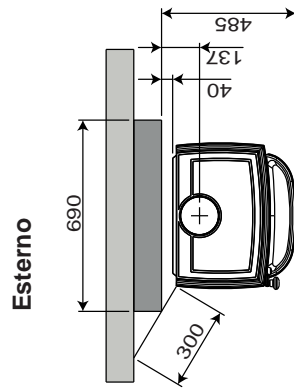
Distancia mínima a pared de material combustible



* Con tubo de humos semiislado
** Distancia a pared inflamable con tubo de humos semiislado y con pantalla térmica



Distancia mínima a una pared de material combustible protegida con cortafuegos



Dimensiones mínimas de la placa de piso
X / Y = De conformidad con las leyes y reglamentos nacionales.

*** Distancia mínima a muebles / materiales combustibles

3.4 Techo

Entre la estufa y el techo combustible debe mediar una distancia mínima de 700 mm.

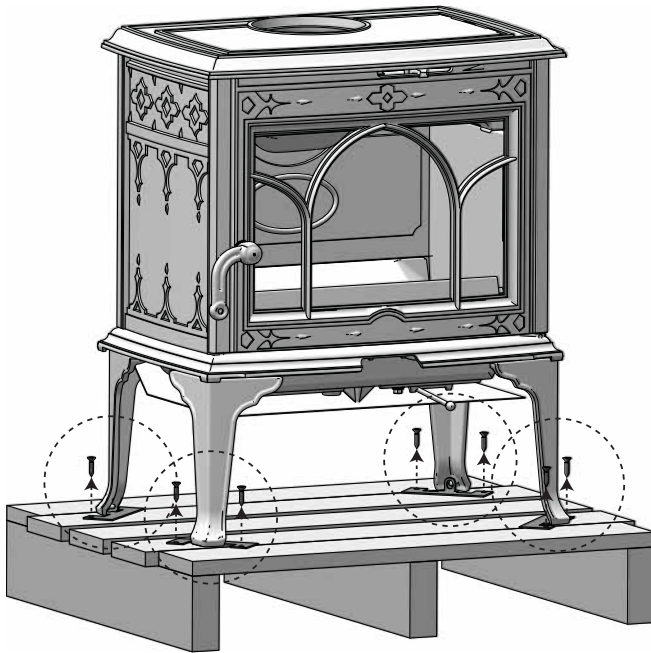
4.0 Instalación

- Antes de instalar la chimenea, compruebe detenidamente que no presente ningún daño.
- El producto es pesado. Solicite ayuda para colocarlo e instalarlo.
- Compruebe que el sistema de ventilación de la habitación en la que va a instalar la hogar no está bloqueado.
- Asegúrese de que el mobiliario y otros elementos del hogar se encuentren a una distancia segura de la chimenea para protegerlos de los efectos del calor.

4.1 Antes de la instalación

1. El producto estándar se sirve en un solo paquete.
2. Al desembalar el producto, sacar la bandeja recogeceniza, la salida de humos y la bolsa de tornillos.

Fig. 3



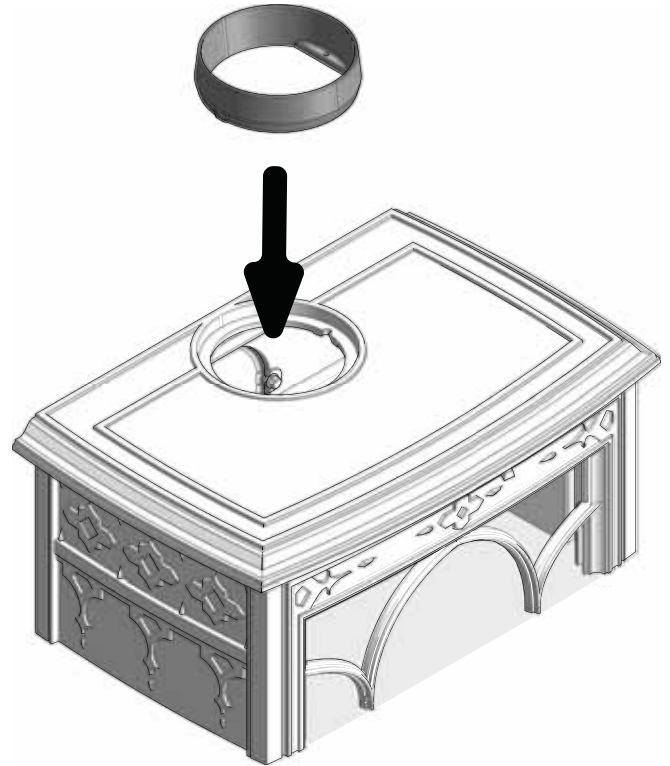
3. Retirar los tornillos de transporte.

4.2 Instalación

Montaje del tubo de humos con salida superior

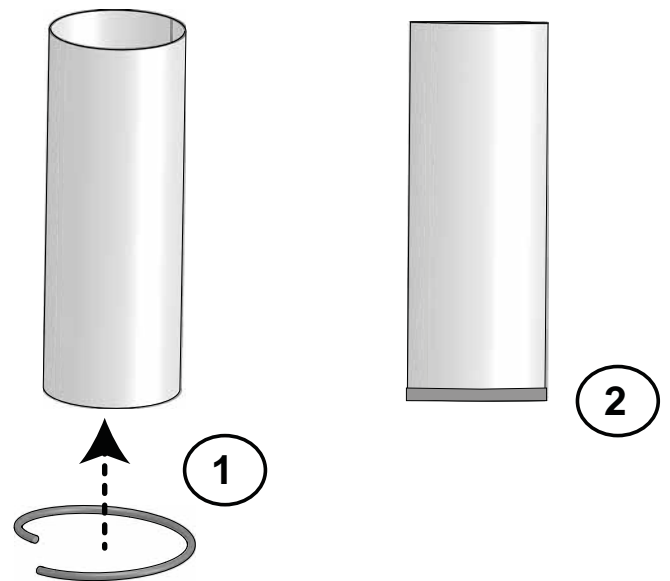
De serie, el producto se entrega con una salida de humos por la parte superior.

Fig. 4



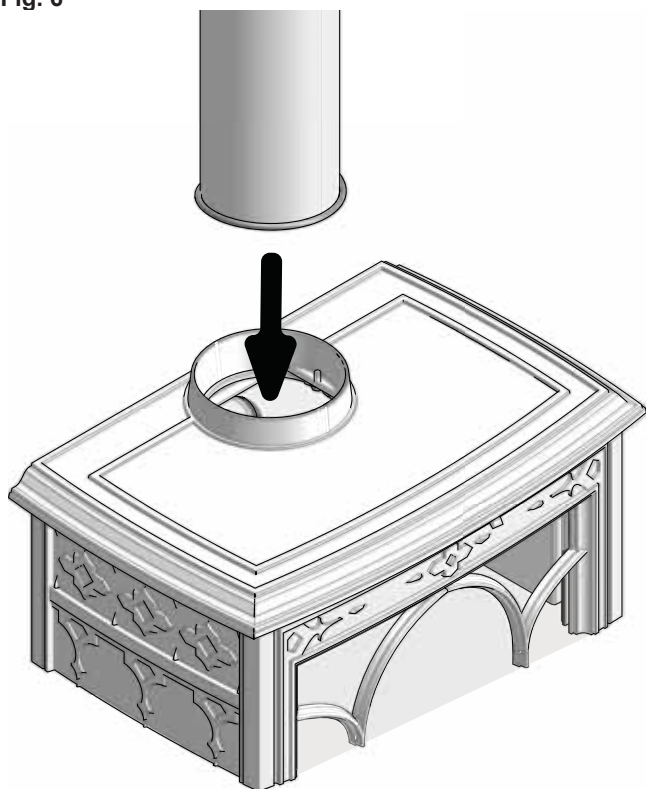
1. Fijar la salida de humos en la placa superior con los dos tornillos.

Fig. 5



2. Retire el papel protector de la junta y fíjelo alrededor de la parte exterior del tubo de humos.

Fig. 6



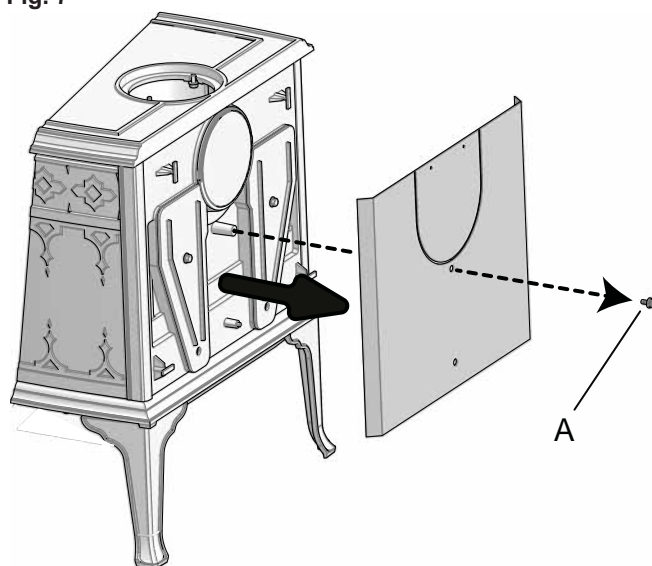
3. Instale el tubo de humos en la salida de humos.

Montaje del tubo de humos con salida trasera

Si necesita que el tubo de humos vaya en la parte posterior, lleve a cabo los pasos siguientes:

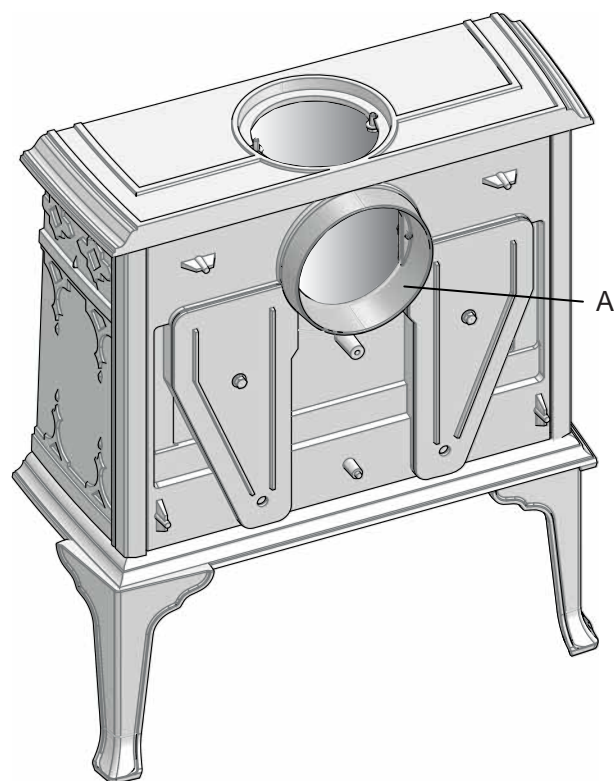
¡NÓTESE BIEN! Para realizar un cambio, primero debe quitar la placa deflectora; consulte la fig. 23 - 24. No olvide configurarlo más tarde.

Fig. 7



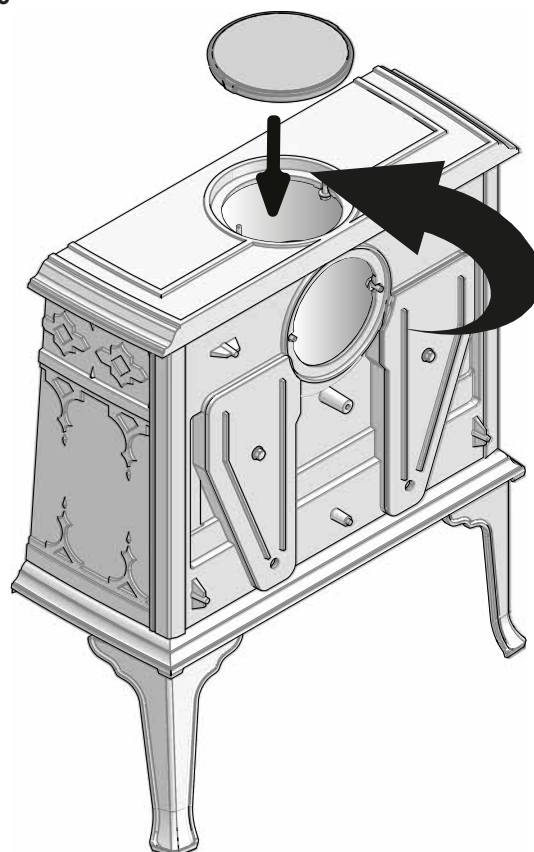
4. Quite el tornillo (A) y extraiga el escudo térmico trasero.

Fig. 8



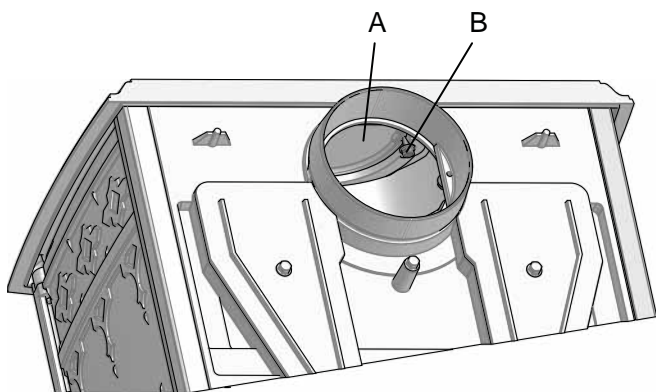
5. Introduzca la salida de humos (A) en la salida trasera.

Fig. 9



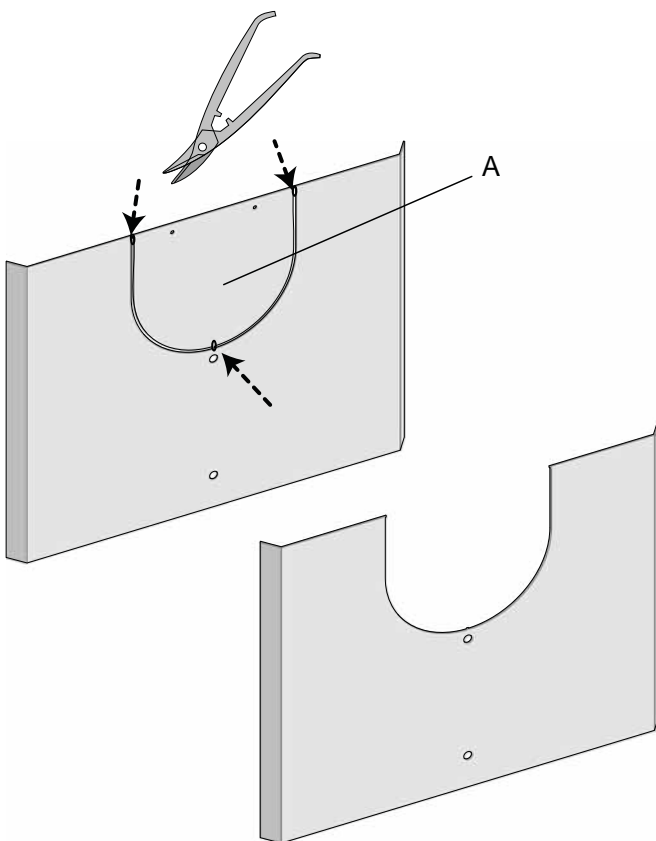
6. Fije la tapa en la placa superior.

Fig. 10



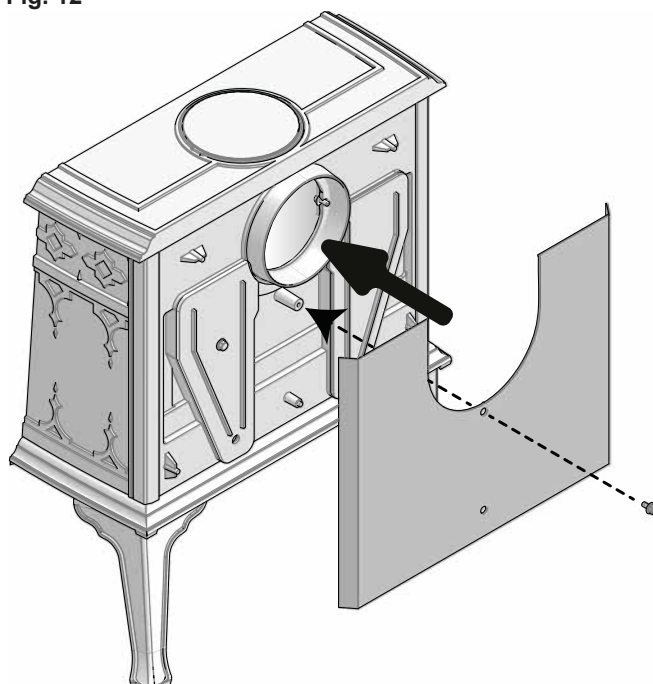
7. Fije la tapa (A) con los tornillos (B).

Fig. 11



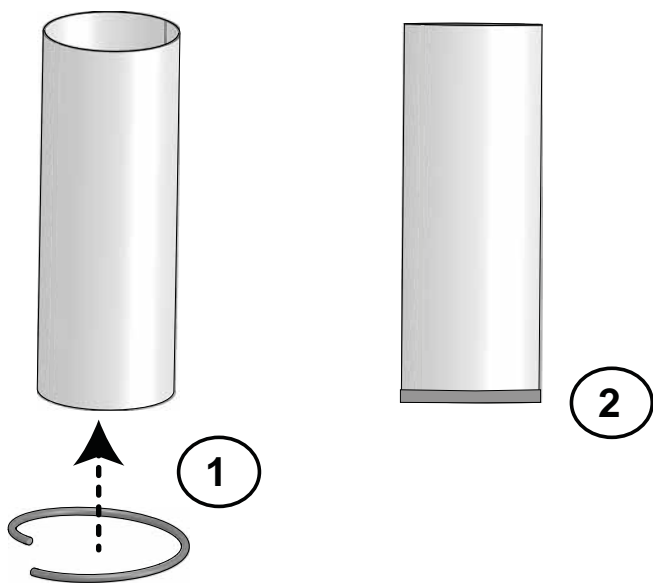
8. Corte la parte (A) del escudo térmico para el tubo de humos.

Fig. 12



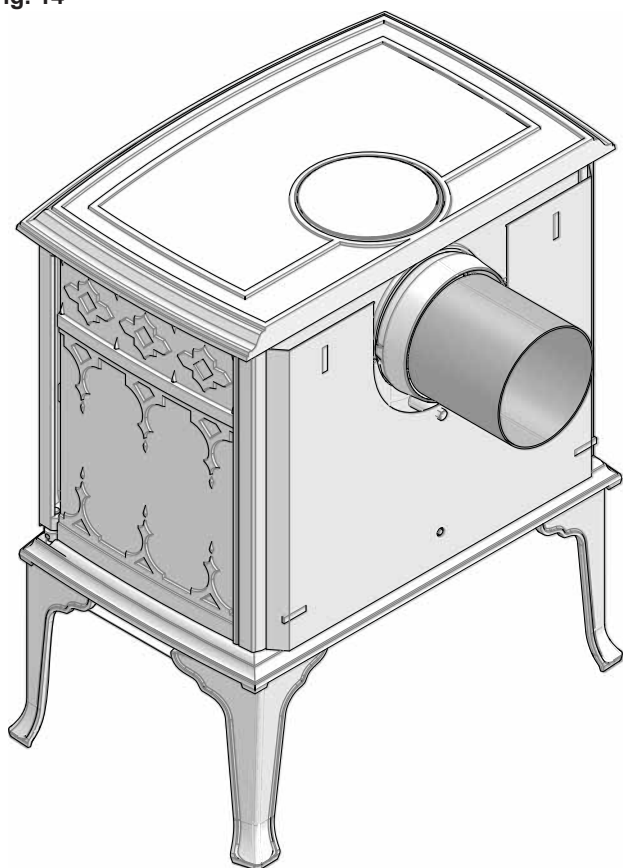
9. Instale el escudo térmico trasero en la estufa.

Fig. 13



10. Retire el papel protector de la junta y fíjelo alrededor de la parte exterior del tubo de humos.

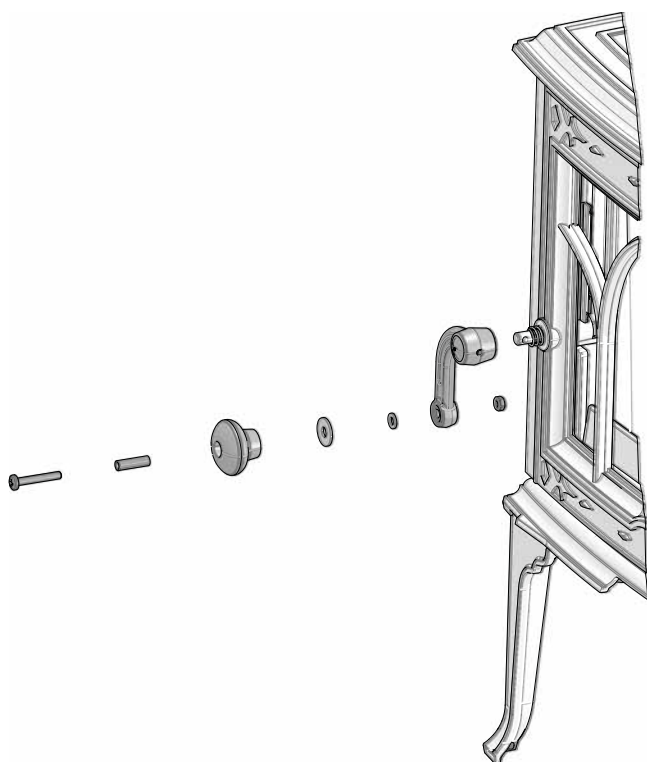
Fig. 14



11. Instale el tubo de humos en la salida de humos.

Montaje de la manija

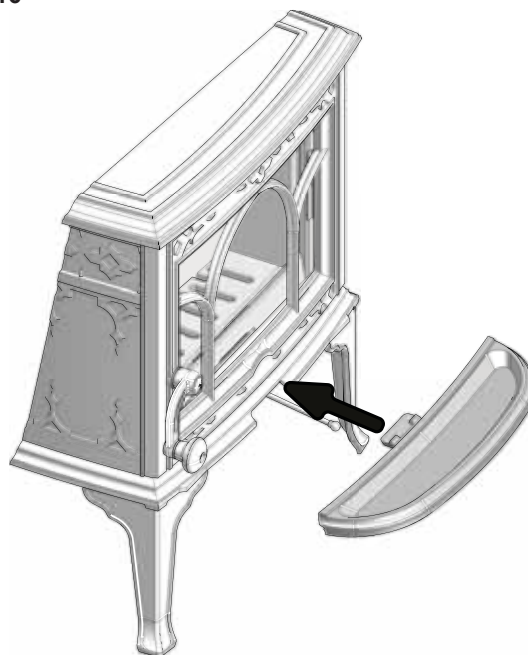
Fig. 15



• Atornille el pomo de la puerta en el manillar.

La bandeja

Fig. 16



• Instale la bandeja recogeceniza colgándola debajo de la puerta.

4.3 Chimenea y tubo del tiro

- La estufa solo debe conectarse a una chimenea y tubo de tiro homologados para estufas de combustible sólido con temperaturas de gas de tiro conforme a lo especificado en «**2.0 Datos técnicos**».
- La sección de la chimenea debe estar diseñada para ajustarse a la estufa. Emplee «**2.0 Datos técnicos**» para calcular la sección correcta de chimenea.
- El horno debe instalarse con tubos de humos con aprobación CE. La distancia especificada a los materiales combustibles se aplica a este horno. La distancia entre el tubo de humos y materiales combustibles tiene también que considerarse.
- Los codos y cambios de dirección del conducto de evacuación de humo influyen en el tiro de la chimenea, reduciéndolo. Este efecto aún es más severo con la utilización de tramos horizontales.
- La chimenea debe conectarse de acuerdo con las instrucciones de instalación del proveedor de la chimenea.
- Antes de practicar un orificio en la chimenea, debe instalarse provisionalmente el producto para marcar correctamente la posición de la estufa y del orificio de la chimenea. Consulte la **Fig. 1** para determinar las dimensiones mínimas.
- Con una salida trasera, emplee un codo de tubo de tiro con una trampilla que permita su desholinado.
- No olvide que es de suma importancia que las conexiones ofrezcan un cierto grado de flexibilidad. Ello tiene como fin prevenir que el movimiento de la instalación pueda generar grietas.
- Para recomendaciones sobre la corriente de chimenea, consulte el apartado «**2.0 Especificaciones técnicas**». Para las dimensiones del tubo de tiro con la sección correspondiente, consulte «**2.0 Especificaciones técnicas**».

N. B.: La longitud mínima recomendada de la chimenea es de 4,0 m desde la inserción del tubo de tiro. Si la corriente es demasiado fuerte, podrá instalarse un amortiguador de tubo de tiro y utilizarse para reducir la corriente.

Empleo en condiciones climatológicas diversas

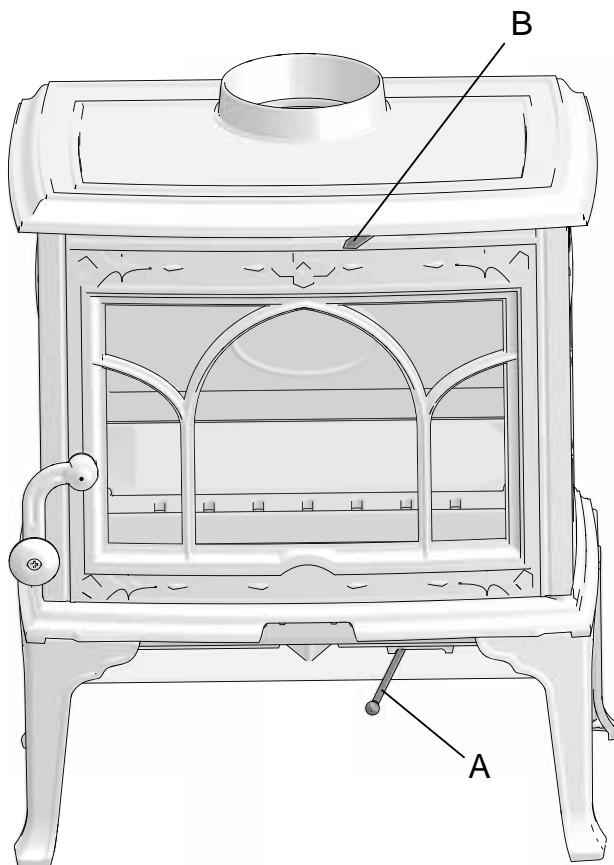
El efecto del viento en la chimenea puede influir en gran medida en el modo de reacción de la estufa ante diferentes cargas por viento de modo que puede ser necesario regular la alimentación de aire para lograr una buena combustión. Además, puede suponer una ventaja montar una trampilla dentro del tubo de combustión para de este modo regular el tiro de la chimenea durante las variaciones de la carga por viento.

Incluso la niebla puede influir en gran medida en el tiro de la chimenea, por lo cual pueden ser necesarios otros ajustes del aire de combustión para lograr una buena combustión.

4.4 Comprobación del rendimiento

Cuando el producto esté montado, compruebe los mandos de regulación; deben moverse con facilidad y funcionar correctamente.

Fig. 17



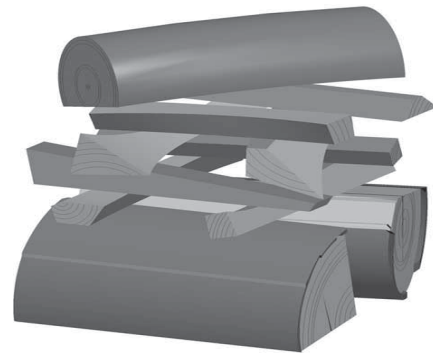
Entrada de aire primario (A) y de aire secundario (B)

Posición izquierda: Cerrada
Posición derecha: Abrir

4.5 Encendido inicial

- Abra la válvula de encendido (A) y el respiradero tirando de los manillares hasta el tope. Si es necesario, entreabra la puerta. (Use un guante o algo similar para protegerse la mano en caso de que los manillares estén calientes).
- Coloque dos troncos en la parte inferior de la cámara de combustión y apile las astillas para encender en capas).
- Coloque las pastillas de encendido o un poco de corteza de abedul entre los troncos. Apile encima unas astillas cruzadas unas sobre otras. Encienda el fuego.
- Ponga 2 ó 3 briquetas o astillas para encender debajo de la capa superior de astillas y encienda el fuego. **Nota:** La altura máxima de la pila de madera debe estar justo debajo de los orificios horizontales. No deben cubrirse los orificios.
- Por último, ponga un tronco de tamaño medio en la parte superior de la pila.
- Compruebe que se inicia la postcombustión (combustión secundaria). Se indica mediante llamas amarillas que bailan delante de los agujeros debajo de la placa deflectora
- Entonces podrá regular el régimen de combustión para obtener el calor que desee ajustando el respiradero.
- Cierre la puerta de la estufa. Siempre debe estar cerrada cuando el fuego esté encendido.

Fig. 18



Añadir madera

Avive la estufa con frecuencia pero añada solo una pequeña cantidad de leña en cada ocasión. Si la estufa está demasiado llena, el calor generado podría causar una elevada tensión en la chimenea. Añada combustible al fuego con moderación. Evite el fuego sin llama, pues es el que produce más contaminación. El fuego irá mejor cuando arda bien y el fuego que salga por la chimenea sea casi invisible.

4.6 Peligro de sobrecalentamiento

La estufa no debe usarse nunca de manera que se sobrecaliente.

Se produce sobrecalentamiento cuando hay demasiado combustible y/o demasiado aire y se produce demasiado calor. Un signo seguro de sobrecalentamiento es cuando partes de la estufa se ponen al rojo. Si sucede esto, reduzca de inmediato la abertura del respiradero.

Solicite la ayuda de un profesional si sospecha que la corriente de la chimenea no es correcta (demasiada corriente o demasiado poca). Para más información, consulte «4.0 Instalación» (chimenea y tubo de tiro).

Condensación

Puede darse condensación en hogares / conductos / chimeneas. La condensación la generan la leña con exceso de humedad y las diferencias de temperatura entre el hogar y el entorno, especialmente por enfriamiento del conducto. El líquido de condensación de la chimenea aparece como un líquido negro tipo alquitrán. Este líquido conviene limpiarlo inmediatamente para evitar que se decolore la superficie afectada, ya sea el hogar, la estufa, el suelo, o el revestimiento. Es importante comenzar con un fuego vivo lo antes posible para evitar condensaciones.

Si la condensación continúa, puede colocar arena mineral en la base de la cámara de combustión.

5.0 Uso diario

5.1 Funcionamiento

Olores al usar la estufa por primera vez

Cuando se usa la estufa por primera vez, puede emitir un gas irritante que huele ligeramente. Esto ocurre debido a que se seca la pintura. El gas no es tóxico, pero la habitación deberá ventilarse completamente. Deje que el fuego arda con mucha corriente hasta que haya desaparecido todo rastro del gas y no sea posible detectar humo ni olores.

Consejos de calentamiento

Nota: Los troncos que se hayan almacenado en el exterior o en una habitación fría deberán meterse al interior 24 horas antes de usarlos para que alcancen la temperatura ambiente.

Hay varias formas de calentar la estufa, pero siempre es importante tener cuidado con lo que introduce en ella. Consulte la sección sobre "Calidad de la madera".

Calidad de la madera

Por madera de calidad nos referimos a los tipos más conocidos de madera, como abedul, picea y pino.

Los troncos deben secarse de forma que su contenido en humedad no supere el 20 %.

Para esto, los troncos deben cortarse a finales del invierno. Deben partirse y apilarse de forma que se garantice una buena ventilación. Las pilas de madera deben estar cubiertas para proteger los troncos de la lluvia. Los troncos deben ponerse a cubierto a principios del otoño y apilarse para utilizarlos en el próximo invierno.

Tenga cuidado especialmente de no usar nunca los siguientes materiales como combustible en su estufa:

- Basura doméstica, bolsas de plástico, etc.
- Madera pintada o impregnada (*que es extremadamente tóxica*).
- Planchas de madera laminada.
- Restos de madera

Pueden dañar el producto y también son contaminantes.

Nota: Nunca use gasolina, parafina, alcohol desnaturalizado o líquidos similares para encender el fuego. Puede sufrir lesiones graves y ocasionar serios daños al producto.

Madera

Jøtul F 100 ECO.2 tiene una producción de calor nominal de 4,9 kW. Uso de madera, con la emisión de calor nominal: Aprox. 1,6 Kg/h. Otro factor importante para optimizar el consumo de combustible es que los troncos tengan el tamaño correcto. El tamaño de los troncos debe ser:

Astillas:

Longitud: Aprox. 25-33 cm

Diámetro: 2 - 5 cm

Cantidad por fuego: 6-8 trozos

Leña (troncos partidos):

Longitud recomendada: 25 - 33 cm

Diámetro: Longitud: Aprox. 8 cm

Intervalos de adición de madera: cada 45 minutos aprox.

Tamaño del fuego: 1,23 kg (Potencia calorífica nominal)

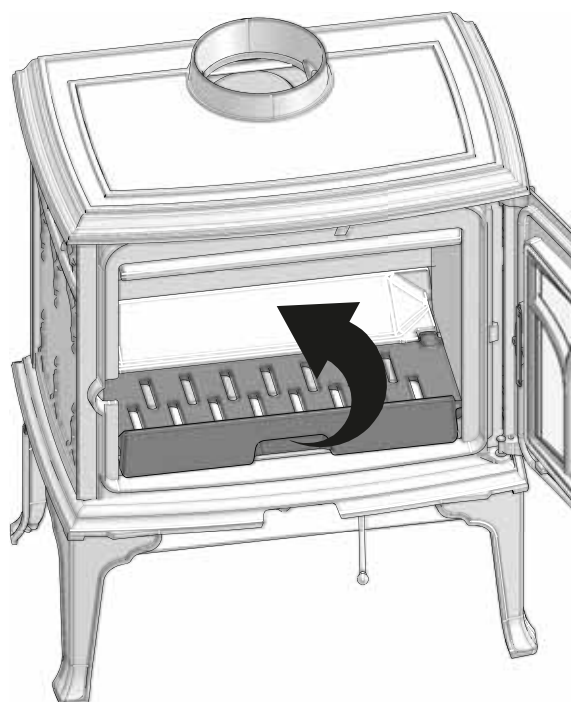
Cantidad por carga: 2 piezas

La potencia calorífica nominal se alcanza con la entrada de aire secundaria abierta aproximadamente al 50 % (**fig. 17**) La entrada de aire está cerrada.

Eliminación de la ceniza

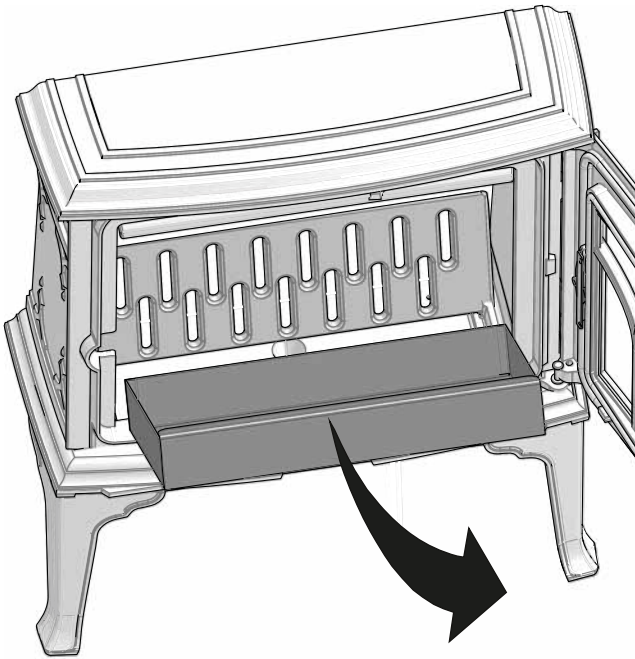
Jøtul F 100 ECO.2 está equipado con una bandeja que facilita la eliminación de cenizas. Esto debe ocurrir cuando la chimenea es fría.

Fig. 19



1. Raspe las cenizas a través de la rejilla en el cajón cenicero.
2. Compruebe que la bandeja de cenizas no se llene tanto que impida que la ceniza caiga en ella a través de la rejilla.
3. Abra la rejilla de la estufa.

Fig. 20



4. Levante el cajón cenicero y vacíelo en un recipiente incombustible.
5. Vuelva a poner el cajón cenicero.
6. Vuelva a colocar la rejilla de la estufa.

5.1 Incidencia del viento y la condiciones meteorológicas sobre el rendimiento de la estufa

El rendimiento de la estufa puede verse notablemente afectado por las variaciones en la fuerza del viento que incide sobre la chimenea. Por ello, es posible que haya que ajustar la entrada de aire para lograr una combustión adecuada. También puede ser buena idea instalar una compuerta en el tubo de humos para poder regular el tiro de la chimenea en función de la fuerza del viento.

La niebla y la neblina pueden afectar de forma importante al tiro de la chimenea; por eso, en estos casos puede ser necesario modificar los ajustes del aire de combustión para garantizar un buen rendimiento.

5.2 Chimenea

La chimenea es el «motor» del aparato, por lo que es esencial disponer de una buena chimenea para que funcione correctamente.

El tiro de la chimenea genera en el hogar un vacío que expulsa el humo al exterior e inyecta aire por el deflector de aire de combustión para alimentar el fuego.

El aire de combustión también alimenta el sistema de limpieza por aire que evita que se acumule hollín en el cristal.

El tiro se produce por la diferencia de temperatura entre el interior y el exterior de la chimenea. Cuanto mayor es la diferencia de temperatura, mejor tira la chimenea. Por tanto,

es importante dejar que la chimenea alcance la temperatura de funcionamiento adecuada antes de ajustar las entradas de aire para limitar la combustión en el hogar (*las chimeneas de obra tardan más que las de acero en alcanzar la temperatura de funcionamiento*).

Es especialmente importante alcanzar la temperatura de funcionamiento con la máxima rapidez en los días de viento desfavorable y condiciones meteorológicas adversas. Asegúrese de que el combustible prenda lo antes posible. Consejo práctico: corte la leña en trozos mucho más pequeños y utilice más pastillas de encendido.

Nota: si no ha utilizado el aparato durante bastante tiempo, asegúrese de que la chimenea no esté obstruida.

6.0 Mantenimiento

6.1 Limpieza del cristal

El producto está equipado con un sistema de inyección de aire para el cristal. El aire se introduce a través del respiradero de la parte superior del producto y se desplaza hacia abajo a lo largo de la cara interior del cristal.

Aunque siempre se adhiere algo de hollín al cristal, la cantidad dependerá de las condiciones de tiro locales y del ajuste del respiradero de ventilación. La mayor parte de la capa de hollín se suele quemar cuando se abre completamente el respiradero de ventilación y arde un fuego vivo en la estufa.

Un buen consejo! Para la limpieza normal humedezca una toalla de papel en agua caliente y añádale cenizas de la cámara de combustión. Frote el cristal con la toalla de papel y, a continuación, enjuáguelo con agua limpia. Séquelo bien. Si es necesario limpiar el cristal más a fondo, recomendamos el empleo de un limpiacristales (*siga las instrucciones de uso del envase*).

6.2 Limpieza y eliminación del hollín

Pueden acumularse depósitos de hollín sobre las superficies internas de la estufa durante su uso. El hollín es un buen aislante y, por lo tanto, reduce la producción de calor de la estufa. Si dichos depósitos de hollín se acumulan durante el uso del producto, pueden eliminarse fácilmente con el limpiador de hollín.

Para evitar que en la estufa se forme una capa de agua y de alquitrán, es necesario dejar regularmente que el fuego arda con fuerza. Para obtener la máxima producción calorífica del producto, es necesario limpiar el interior del producto una vez al año. Es una buena idea hacerlo cuando desholline la chimenea y los tubos de humos.

6.3 Deshollinar los tubos de humos a la chimenea

En determinadas estufas autoestables, la placa superior puede retirarse, deshollinando el tubo por la parte superior.

En caso contrario, se deben deshollinar los tubos de humos a través de una trampilla de deshollinamiento del tubo de humos o a través de la puerta del producto. Deberá retirarse la placa deflectora.

6.4 Inspección de la estufa

Jøtul le aconseja que inspeccione personalmente la estufa de forma minuciosa después de deshollinar o limpiar. Compruebe si existen fisuras en las superficies visibles. Compruebe también que todas las uniones están selladas y que las juntas están bien colocadas. Las juntas que muestren signos de desgaste o deformación deben sustituirse.

Limpie a fondo las ranuras de la junta, aplique adhesivo cerámico (disponible en su proveedor Jøtul local) y presione sobre la junta para que encaje en posición. La unión se secará en poco tiempo.

6.5 Mantenimiento exterior

Tras algunos años de utilización es posible que el color de los productos pintados se altere. Debe cepillarse la superficie para limpiarla de partículas sueltas antes de aplicar la nueva pintura.

Los productos esmaltados deben limpiarse únicamente con un paño limpio y seco. No utilice agua y jabón. Las manchas pueden eliminarse con un líquido de limpieza (*un producto para limpiar hornos, etc.*).

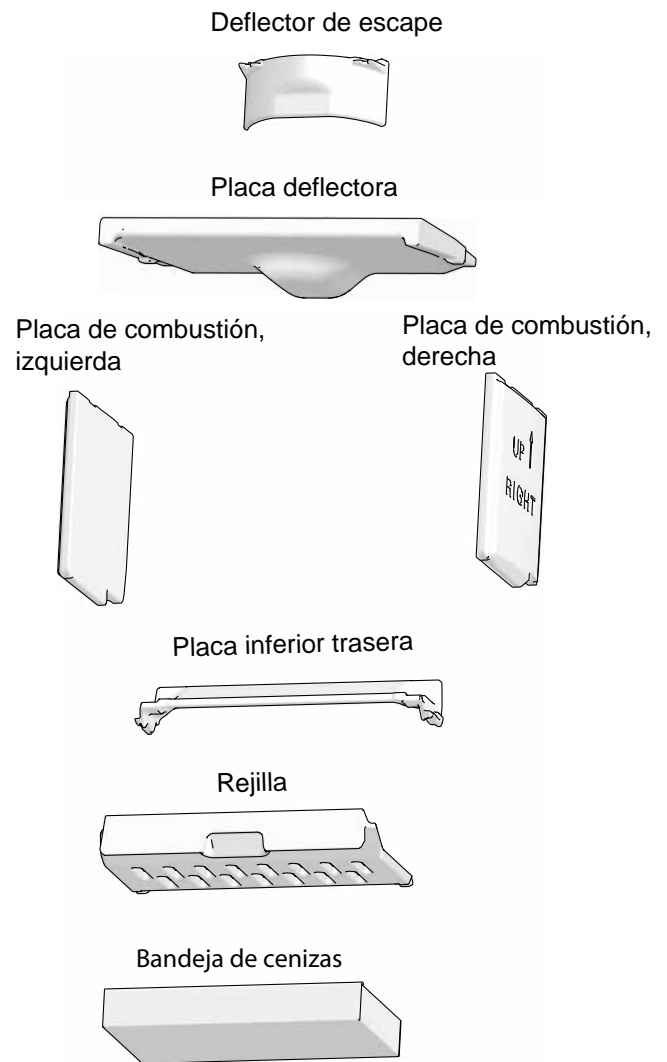
7.0 Conservación

Está prohibido realizar modificaciones no autorizadas en el producto.

Deben utilizarse exclusivamente piezas de repuesto originales.

7.1 Sustitución de piezas de la cámara de combustión

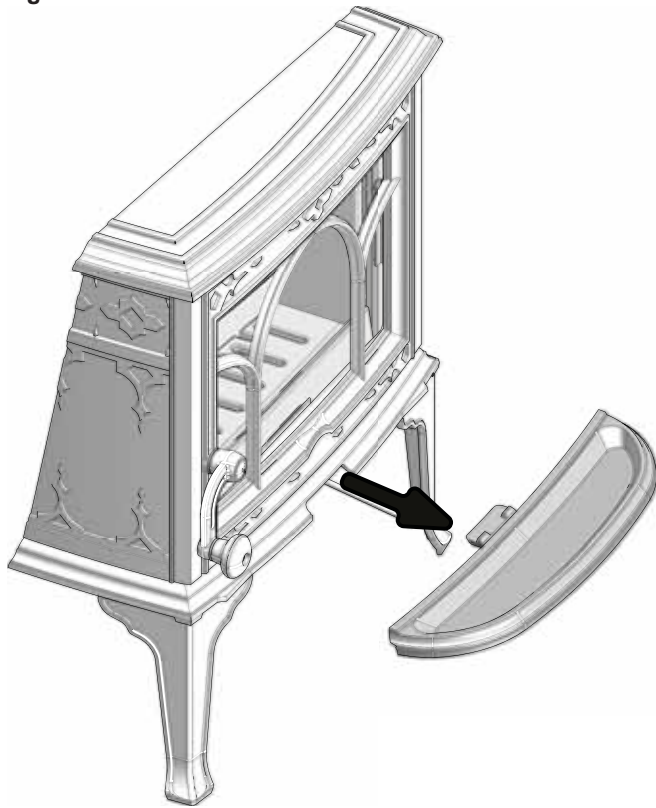
Fig. 21



ESPAÑOL

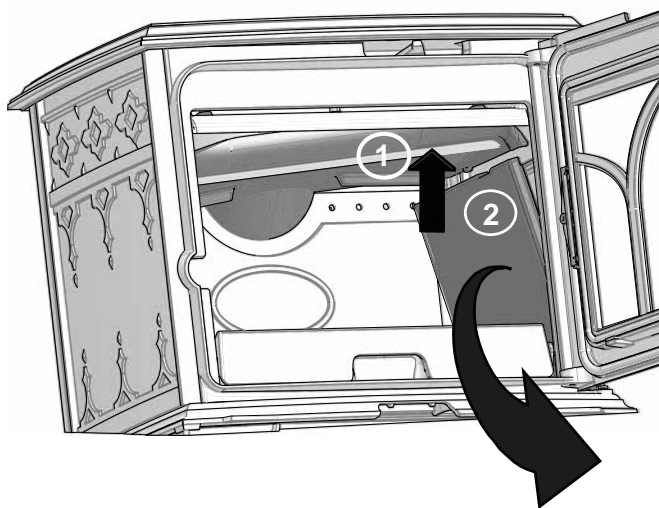
7.2 Sustitución de la placa deflectora, de las placas de combustión y de la rejilla de la estufa

Fig. 22



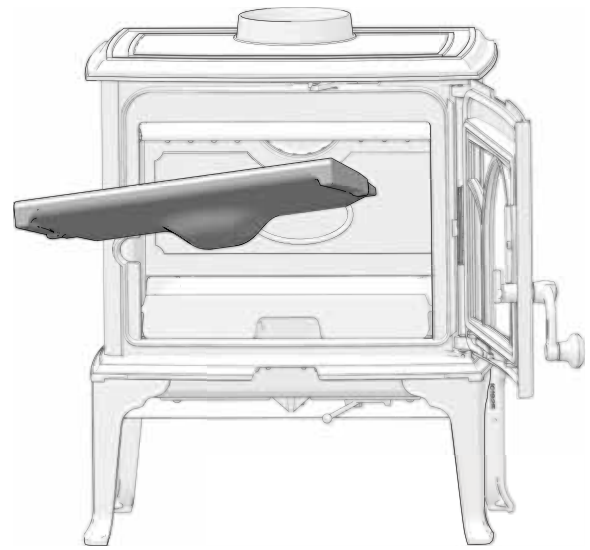
1. Retire la bandeja recogeceniza.

Fig. 23



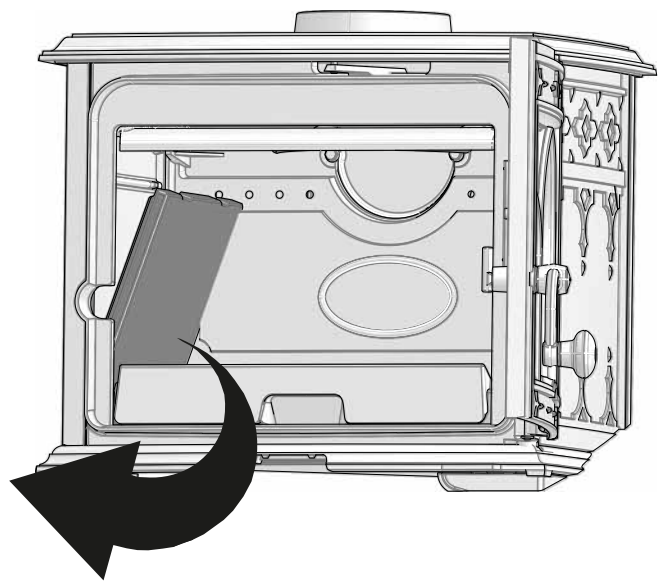
2. Levante el deflector, que descansa sobre las placas de combustión en un lado. Mientras sostiene la placa deflectora, levante la placa
3. de combustión por el mismo lado y retírela de la cámara de combustión.

Fig. 24



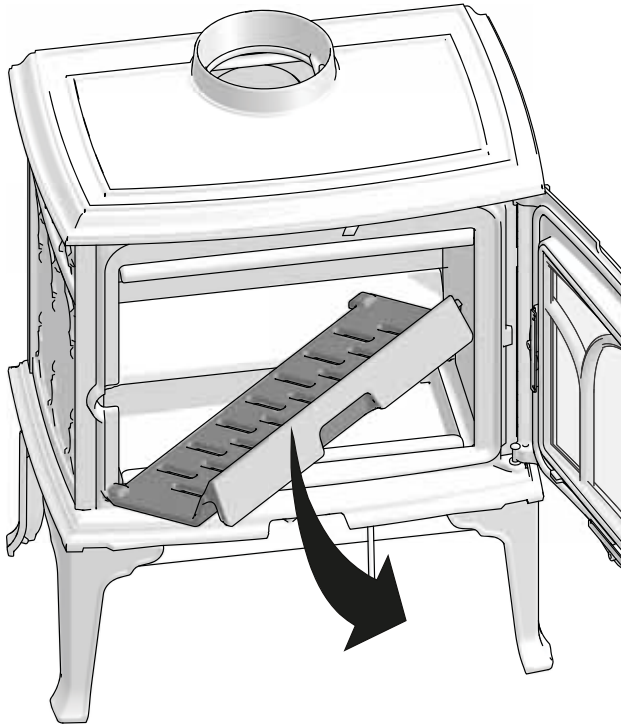
4. Incline la placa deflectora hacia afuera.

Fig. 25



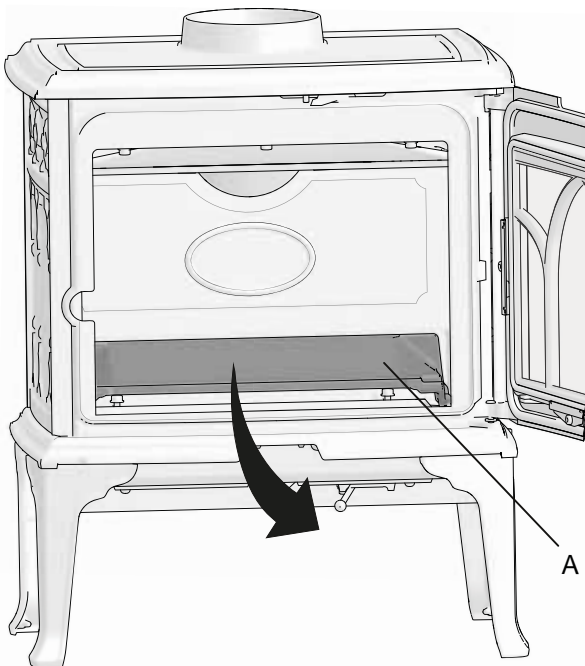
5. Retire luego la otra placa de combustión.

Fig. 26



- Levante la rejilla de la estufa e inclínela para sacarla.

Fig. 27



- Quite la placa inferior trasera (A).

Al volver a realizar el montaje:

- Primero coloque la placa inferior trasera.
- Coloque la bandeja recogeceniza y la rejilla de la estufa.
- Coloque la placa de combustión del lado izquierdo. Ponga la placa deflectora en la parte superior y sosténgala hasta que la placa de combustión del otro lateral vuelva a estar en su lugar .

8.0 Problemas de funcionamiento: solución de problemas

Poco tiro

1. Compruebe la longitud de la chimenea y que cumple los requisitos y normativas nacionales. (Consulte también la información de la secciones «2.0 Información técnica» y «4.0 Instalación» (Chimenea y tubo de humos).
2. Compruebe que la sección transversal mínima de la chimenea corresponde a lo indicado en la sección «2.0 Información técnica».
3. Cerciórese que no hay ningún obstáculo que impida el escape de los gases: ramas, árboles, etc.
4. Si sospecha que el tiro de la chimenea es excesivo o escaso, solicite ayuda profesional para su medición y ajuste.

La llama se extingue transcurrido un tiempo

1. Asegúrese de que la leña está suficientemente seca.
2. Averigüe si existe presión negativa en la vivienda, apague los sistemas de ventilación mecánicos y abra una ventana cercana a la estufa.
3. Compruebe que el respiradero está abierto.
4. Compruebe que la toma de la salida de humos no está obstruida con hollín.

Se acumula una cantidad anormal de hollín en el cristal

Siempre se adherirá algo de hollín al cristal, pero la cantidad depende de:

- Humedad del combustible.
- Las condiciones de tiro locales.
- Apertura del respiradero de ventilación.

La mayor parte del hollín se suele quemar cuando se abre completamente el respiradero de ventilación y arde un fuego vivo en la estufa. (Consulte la sección «6.1 Limpieza del cristal - un buen consejo!».)

9.0 Equipo opcional

9.1 Pantalla térmica posterior adicional

N.º cat. 50012956

10.0 Reciclaje

10.1 Reciclaje del embalaje

- Su estufa se entrega con el siguiente embalaje:
- Un palé de madera que puede cortarse y quemarse en la estufa.
- Embalaje de cartón que debe llevarse a un punto de reciclaje local.
- Bolsas de plástico que deben llevarse a un punto de reciclaje local.

10.2 Reciclaje de la estufa

La estufa se compone de:

- Metal que debe llevarse a un punto de reciclaje local.
- Cristal que debe desecharse como un residuo peligroso. El cristal de la estufa no debe depositarse en un contenedor de separación convencional.
- Placas de combustión de vermiculita que pueden desecharse en contenedores de desechos convencionales.

11.0 Términos de la Garantía

1. Nuestra garantía cubre:

Jøtul AS garantiza que las partes exteriores de hierro fundido están libres de defecto en materiales o fabricación en el momento de la compra. Usted puede extender esta garantía sobre las piezas exteriores de fundición hasta 25 años desde la fecha de entrega del producto registrándolo en jotul.com, e imprimiendo la tarjeta de ampliación de la garantía en un plazo de tres meses a contar desde la fecha de compra. Recomendamos conservar la tarjeta de garantía junto con el justificante de compra. Jøtul AS también garantiza que las piezas de acero están libres de defectos de material o fabricación en el momento de la compra y durante un período de 5 años a partir de la fecha de entrega.

La garantía solamente tendrá validez si la instalación de la estufa se encarga a un instalador cualificado y se realiza con arreglo a la normativa en vigor y siguiendo las instrucciones de instalación y funcionamiento de Jøtul. Los productos reparados y las piezas sustituidas estarán garantizados durante el tiempo que quede de la garantía original.

2. La garantía no cubre:

- 2.1. Los daños en las piezas de desgaste, como placas de combustión, rejillas, deflectores de humos, juntas y similares, puesto que se deterioran con el tiempo debido al uso normal.
- 2.2. Los daños derivados de un mantenimiento inadecuado, sobrecalentamiento o uso de combustibles inadecuados (ejemplos de combustible inadecuado son entre otros: restos de madera extraídos del mar, madera impregnada, recortes de tablas, aglomerado, etc.) o de leña demasiado húmeda
- 2.3. La instalación de accesorios opcionales que rectifiquen el tiro, el suministro de aire u otras circunstancias fuera del control de Jøtul.
- 2.4. Casos derivados de alteraciones o modificaciones de la estufa efectuadas sin el consentimiento de Jøtul, o el uso de piezas no originales.
- 2.5. Daños producidos en el almacén de un distribuidor, en el transporte posterior o durante la instalación
- 2.6. Productos vendidos por distribuidores no autorizados en zonas donde Jøtul opera según distribución selectiva
- 2.7. Costes asociados (por ejemplo, pero no solo, transporte, mano de obra, gastos de viaje) o daños indirectos

Las estufas de pellets, cristal, piedra, hormigón, acabados de pintura y esmalte (por ejemplo, pero no solo golpes, grietas, burbujas, decoloramiento, etc) están sujetos a la legislación nacional de consumo aplicable. Esta garantía es válida para compras realizadas dentro del territorio del Espacio Económico Europeo. Todas las reclamaciones de garantía se tramitarán a través de su distribuidor autorizado Jøtul local en un plazo razonable de tiempo que no excederá de 14 días respecto a la fecha en la que se detecte la falta o defecto por primera vez. Consulte la lista de importadores y distribuidores en nuestra página web www.jotul.com

Si Jøtul no pudiese cumplir con las obligaciones descritas en los términos de la garantía, se ofrecerá un producto alternativo de capacidad calorífica comparable

Jøtul se reserva el derecho a rechazar cualquier reposición de piezas si la garantía no se ha registrado online. Esta extensión de garantía únicamente añade coberturas, y no disminuye en medida alguna los derechos del consumidor y las garantías establecidas por la ley. Los derechos de garantía nacional empezarán a contar desde la fecha de compra y solamente podrán ejercerse previa presentación del justificante de compra/número de serie.

Indice generale

1.0 Conformità alle leggi 47

2.0 Dati tecnici 47

3.0 Sicurezza 48

4.0 Installazione 50

5.0 Utilizzo giornaliero 55

6.0 Manutenzione 56

7.0 Assistenza 57

8.0 Risoluzione dei problemi 59

9.0 Accessori opzionali 59

10.0 Riciclaggio 60

11.0 Garanzia 60

Registrare il proprio caminetto sul sito jotul.com per una garanzia di 25 anni.

Product: Jøtul Room heater fired by solid fuel			
CE			
Standard Minimum distance to adjacent combustible materials:			
Emission of CO in combustion products:			
Flue gas temperature:			
Nominal heat output:			
Efficiency:			
Operation range:			
Fuel type:			
Operational type:			
The appliance can be used in a shared flue.			
Country	Classification	Certification/standard	Approved by
Norway	Hvase II		
Sweden	etc.	SP	SP Sveriges Provnings- och Forskningsinstitut AB
EUR	Intermittent	EN	SP Swedish National Testing and Research Institute
Follow user's instructions. Use only recommended fuels. Montage- und Bedienungsanleitung beachten. Verwenden Sie nur empfohlenen Brennstoffen. Respectez les consignes d'utilisation. Utilisez uniquement les combustibles recommandés.			
Lot no: Yxxxx, Year: 200x			
Manufacturer: Jøtul AS POB 1441 N-1602 Fredrikstad Norway		221546	

Su tutti i nostri prodotti è applicata un'etichetta che indica il numero di serie e l'anno. Annotare questo numero dove indicato nelle istruzioni di installazione. Citare sempre questo numero di serie quando ci si rivolge al rivenditore o a Jøtul.

Lot no. Pin.

1.0 Conformità alle leggi

L'installazione di una stufa deve essere eseguita in conformità alle leggi e alle norme locali di ogni paese.

L'installazione del prodotto deve essere conforme a tutte le norme locali, incluse quelle che fanno riferimento a direttive europee o specifiche del paese.

L'installazione può essere effettuata solo dopo un'accurata ispezione da parte di personale qualificato.

2.0 Dati tecnici

Materiale:	Ghisa
Rivestimento esterno:	Vernice nera
Combustibile:	Legna
Lunghezza massima dei ceppi:	35 cm
Scarico fumi:	Superiore, posteriore
Dimensioni condotto dei fumi:	
- internamente:	Ø125mm/123cm ² sezione trasversale
- esternamente:	Ø150mm/177cm ² sezione trasversale

Peso:

Jøtul F 100 ECO.2 LL / Jøtul F 100 ECO.2 LL SE	89 kg
Jøtul F 100 ECO.2 SL / Jøtul F 100 ECO.2 SL SE	88 kg
Accessori opzionali:	Extra Schermo Paracalore
Dimensioni, distanze:	Vedere fig. 1

Dati tecnici in base alla normativa EN 13240

Potenza termica nominale:	4,9 kW
Volume dei fumi:	4,1 g/s
Tiraggio della canna fumaria, EN 13240:	12 Pa
Pressione negativa raccomandata nello scarico fumi:	16 - 18 Pa
Efficienza:	80%
Emissioni di CO (13% O ₂):	0,10 %
Emissioni di CO (13% O ₂):	1213 mg / Nm ³
NOx a 13% O ₂ :	86 mg / Nm ³
Idrocarburi a 13 % O ₂ :	98 mg C /Nm ³
Consumo dell'aria:	15-20 m ³ /h
Temperatura della canna fumaria, EN 13240:	271 °C
Polvere:	25 mg/Nm ³ @13%O ₂
Emissioni di particelle NS 3059:	3,7 g / kg

Tipo di combustibile:	Legna
Lunghezza cepp raccomandata i:	25-33 cm
Lunghezza massima ceppi:	35 cm
Consumo di combustibile:	1,56 kg/h
Quantità max di fascine:	2,1 kg
Quantità nominale di fascine:	1,23 kg
Funzionamento:	Intermittente

Per combustione intermittente, in questo contesto, si intende il normale utilizzo del camino, ossia con aggiunta di combustibile non appena da quello precedente si è formata una quantità adeguata di braci.

3.0 Sicurezza

Nota: per garantire prestazioni e sicurezza ottimali, le stufe Jøtul devono essere montate da un installatore qualificato.

Qualunque modifica al prodotto da parte del distributore, installatore o consumatore può comportare un funzionamento imprevisto del prodotto e delle funzionalità di sicurezza. Lo stesso si applica all'installazione di accessori o di extra opzionali non forniti da Jøtul. Ciò può riguardare anche componenti essenziali per il funzionamento e la sicurezza del caminetto eventualmente smontati o rimossi.

In tutti i casi citati, il produttore non potrà essere ritenuto responsabile o punibile per il prodotto, rendendo nullo e non valido ogni reclamo.

3.1 Misure di prevenzione antincendio

Ogni utilizzo del caminetto ha in sé un certo elemento di pericolo. Pertanto, è necessario seguire attentamente le seguenti istruzioni:

- Le distanze minime di sicurezza in caso di utilizzo del caminetto sono fornite nella **fig. 1**.
- Assicurarsi che gli arredi e altri materiali infiammabili non siano troppo vicini al caminetto. I materiali infiammabili non devono mai essere posizionati entro 1000 mm dal caminetto.
- Attendere l'estinzione del fuoco. Non spegnere mai le fiamme con acqua.
- Il caminetto acceso diventa caldo e può causare bruciate se toccato.
- Rimuovere la cenere solo con il caminetto freddo. La cenere può contenere braci calde, pertanto deve essere collocata in un contenitore ignifugo.
- La cenere deve essere collocata all'esterno o svuotata in un luogo in cui non rappresenterà un pericolo potenziale di incendio.

In caso di incendio della canna fumaria

- Chiudere tutte le aperture e le prese d'aria.
- Tenere chiusa la porta del camino.
- Chiamare i vigili del fuoco.
- Prima di utilizzare di nuovo il camino e la canna fumaria dopo un incendio, è necessario che vengono controllati da un tecnico specializzato che ne assicuri l'integrità e il corretto funzionamento.

3.2 Pavimento

Basamento

È importante accertarsi che le dimensioni dei basamenti siano adatte al camino. Cf. «**2.0 Dati tecnici**» per le specifiche sul peso. Durante l'installazione, si consiglia di rimuovere la pavimentazione non fissata al sottofondo (pavimento antivibrante).

Requisiti per la protezione del pavimento di legno

Jøtul raccomanda di rimuovere eventuali materiali infiammabili come: linoleum, moquette, ecc. da sotto la pedana di protezione del pavimento.

Jøtul F 100 ECO.2 SL og Jøtul F 100 ECO.2 SL SE (Special Edition) (montanti brevi)

Jøtul F 100 ECO.2 può essere installato solo su pavimenti in cui sia la superficie, sia la struttura in sé siano realizzate in materiale non combustibile. L'area non combustibile deve avere un'estensione minima di 350 mm dalla stufa.

Nota: In questa zona non utilizzare riscaldamento a pavimento o elettrico.

Jøtul F 100 ECO.2 LL (montanti lunghi):

Jøtul F 100 ECO.2 è dotato di uno scudo termico inferiore che protegge il pavimento dall'irradiazione. Di conseguenza, il prodotto può essere posizionato direttamente su un pavimento in legno ricoperto da una piastra di metallo o altro materiale ignifugo idoneo. Lo spessore minimo raccomandato è di 0,9 mm.

Requisiti per la protezione di pavimento infiammabile davanti alla stufa

Il pavimento davanti al caminetto deve essere protetto da una lamina di metallo o di un altro materiale ignifugo. Lo spessore minimo raccomandato è di 0,9 mm.

La piastra anteriore deve essere conforme alle leggi e alle norme nazionali.

Contattare le autorità edili locali in relazione alle disposizioni e ai requisiti di installazione.

3.3 Pareti

Distanza da pareti di materiale infiammabile - Vedere fig. 1

La stufa deve essere installata con tubi con certificazione specifica CE. Anche per i tubi va rispettata la distanza da materiali infiammabili.

Distanza tra il prodotto e il muro tagliafuoco (vedere fig. 1)

Requisiti del muro tagliafuoco

Il muro tagliafuoco deve avere uno spessore di almeno 100 mm ed essere realizzato in blocchi di calcestruzzo a mattone o calcestruzzo leggero. È possibile utilizzare anche altri materiali e strutture provviste della necessaria documentazione.

Per materiali ignifughi si intendono materiali come mattone, clinker, calcestruzzo, lana di roccia, piastre di silicato, ecc. (materiali che non bruciano). Nota! Una breve distanza a una parete ignifuga può portare all'essiccazione e scolorimento della vernice e causare crepe.

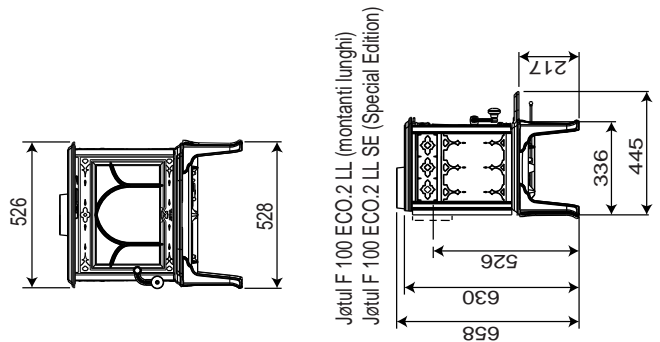
- La stufa deve essere impostata in modo tale da poter pulire la stufa stessa, il condotto di scarico fumi e la canna fumaria.
- Assicurarsi che mobili e altri articoli di arredamento non siano tanto vicini da essere seccati dalla stufa. I materiali infiammabili non devono mai essere posizionati entro 1000 mm dal caminetto.

3.4 Soffitto

La distanza minima tra la stufa e il soffitto in materiale infiammabile deve essere almeno di **700 mm**.

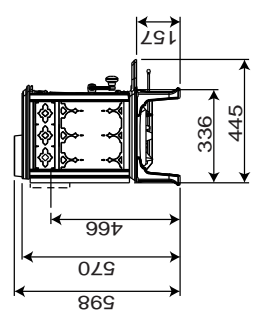
Jøtul F 100 ECO.2

Fig. 1

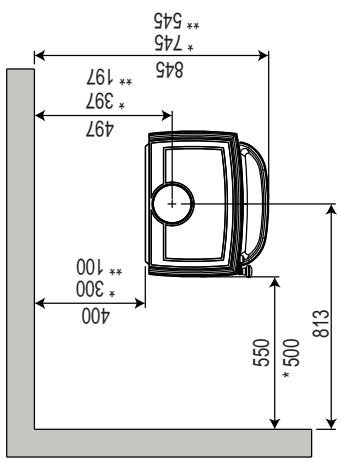


Jøtul F 100 ECO.2 SL e Jøtul F 100 ECO.2 SL SE (Special Edition) (montanti brevi) øtul F 100 ECO può essere installato solo su pavimenti in cui sia la superficie, sia la struttura in sé siano realizzate in materiale non combustibile. L'area non combustibile deve avere un'estensione minima di 350 mm dalla stufa.

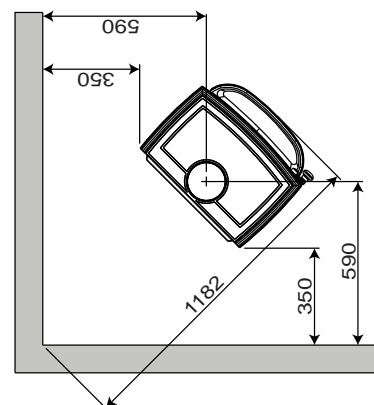
Nota: In questa zona non utilizzare riscaldamento a pavimento o elettrico.



Distanza minima dalla parete combustibile

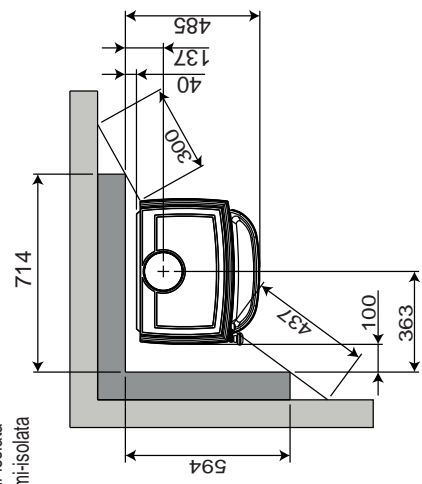
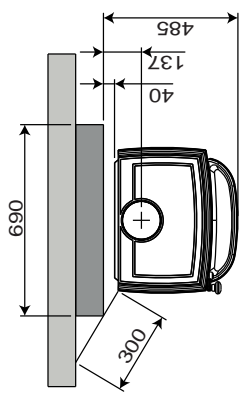


* Le distanze minime si intendono con canna fumaria semi-isolata
 ** Le distanze minime si intendono con canna fumaria semi-isolata e extra schermo paracalore posteriore

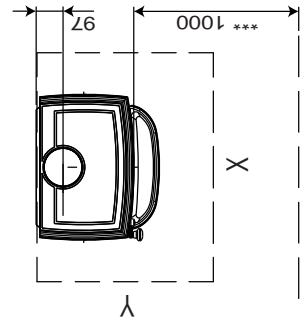
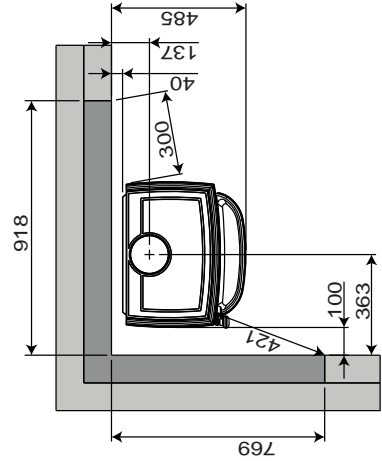
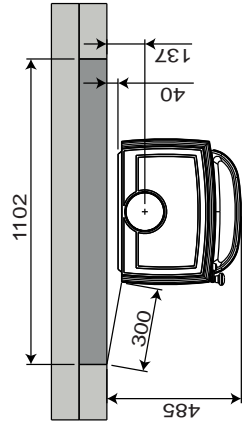


Distanza minima dalla parete combustibile protetta da un muro tagliafuoco

Esterna



Integrata



Dimensioni minime per la piastra di protezione del pavimento
 X/Y = In conformità alle leggi e alle normative nazionali
 *** Distanza dalla parete combustibile



900353-P00

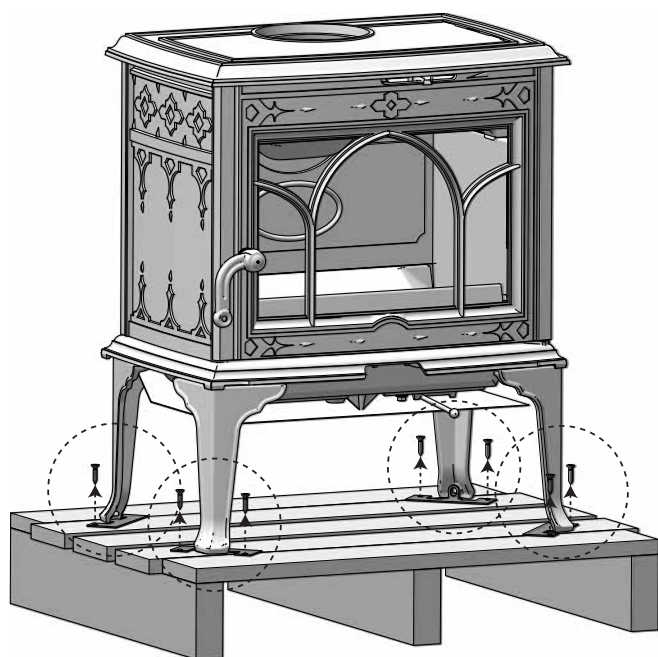
4.0 Installazione

- Prima dell'installazione del camino, verificare attentamente l'assenza di eventuali segni di danneggiamento.
- Il prodotto è pesante! Chiedere aiuto a qualcuno in fase di posizionamento e installazione.
- **Assicurarsi che mobili e altri articoli domestici si trovino a distanza di sicurezza dal caminetto, per proteggerli dall'essiccazione.**

4.1 Prima dell'installazione

1. Il prodotto standard è contenuto in un'unica confezione
2. Una volta disimballato il prodotto, estrarre il ceneraio, il condotto di scarico e il sacchetto delle viti.

Fig. 3

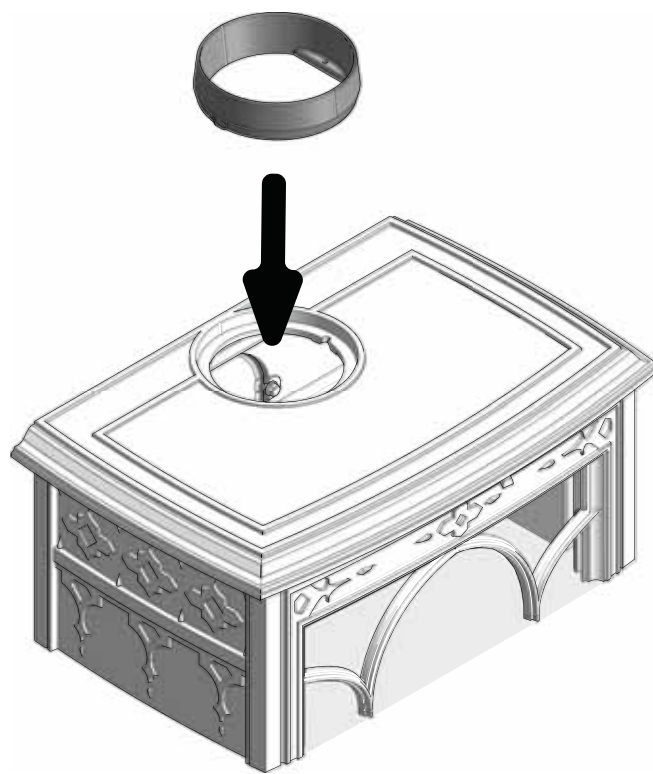


3. Rimuovere le viti di trasporto.

4.2 Montaggio di un condotto con scarico superiore

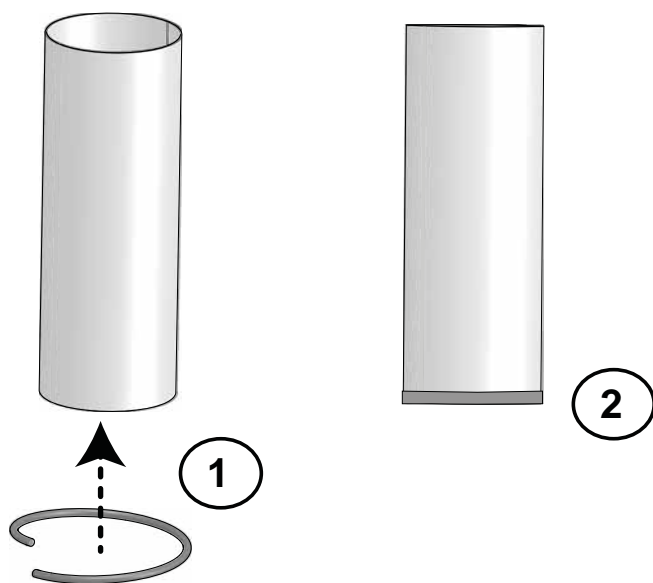
Il prodotto è montato di fabbrica per uno scarico superiore.

Fig. 4



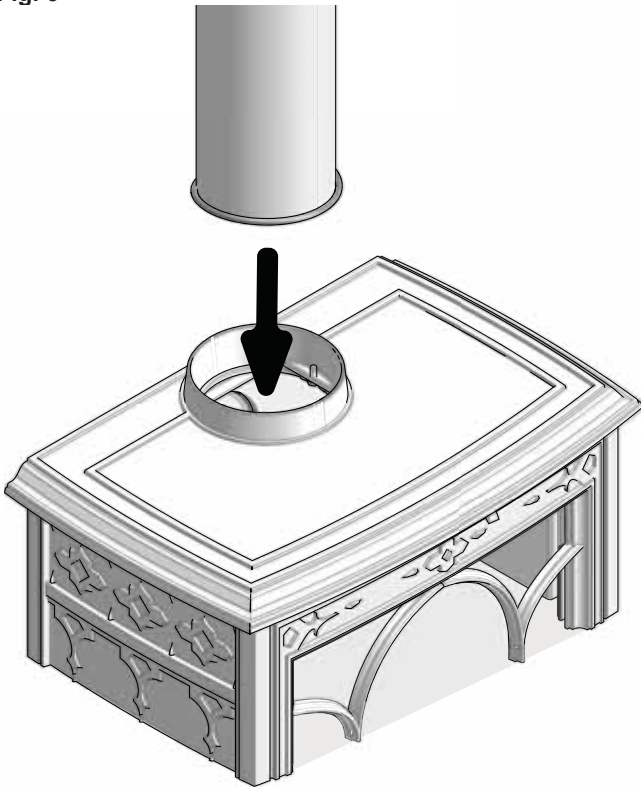
1. Fissare lo scarico fumi alla piastra superiore utilizzando le due viti.

Fig. 5



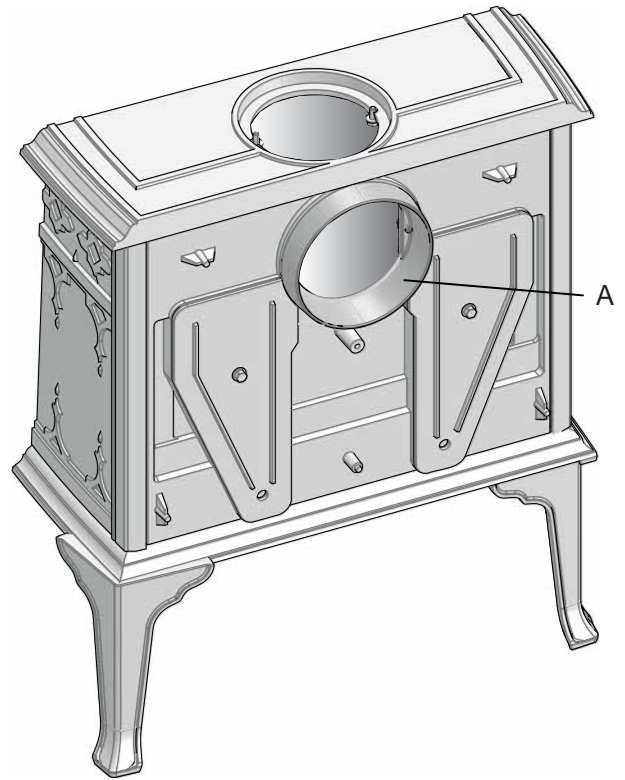
2. Rimuovere la carta protettiva dalla guarnizione e fissarla attorno alla parte esterna del condotto di scarico fumi.

Fig. 6



3. Installare il condotto di scarico fumi allo scarico.

Fig. 8



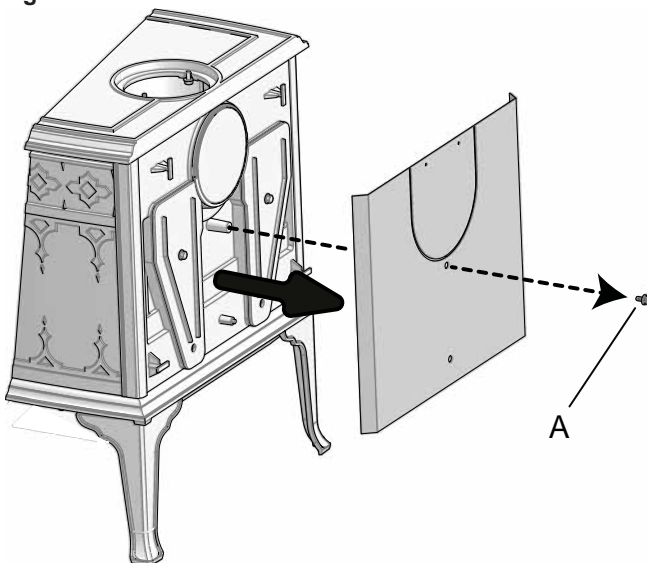
2. Montare lo scarico fumi (A) nello scarico posteriore.

Montaggio di un condotto con scarico posteriore

Il prodotto è montato di fabbrica con lo scarico fumi montato per uno scarico superiore. Se si desidera posizionare uno scarico posteriore, procedere nel modo seguente:

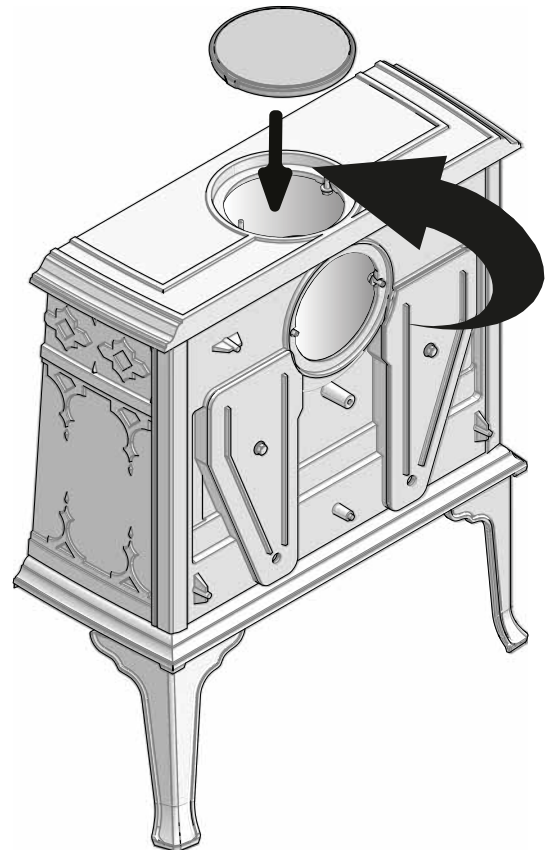
NB! Per apportare una modifica, è necessario prima rimuovere il caveau - vedere fig. 23 - 24. Ricordarsi di rimettere a posto il caveau in seguito.

Fig. 7



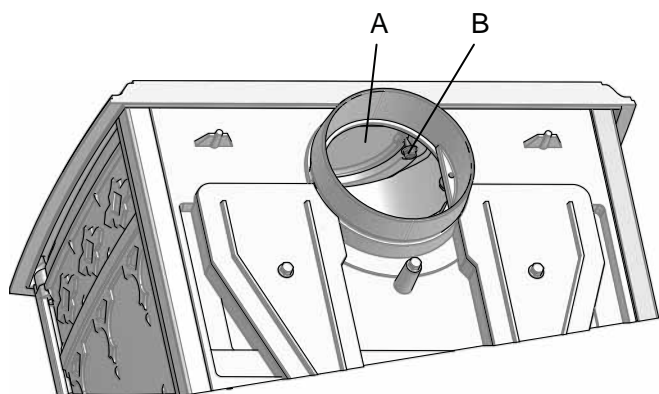
1. Svitare la vite (A) e rimuovere lo scudo termico posteriore.

Fig. 9



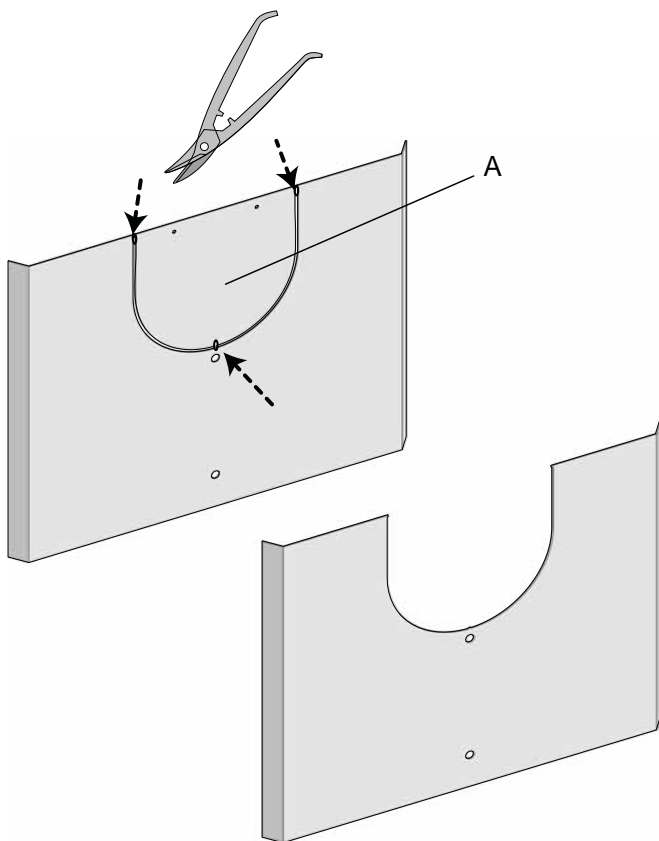
3. Fissare la copertura alla piastra superiore.

Fig. 10



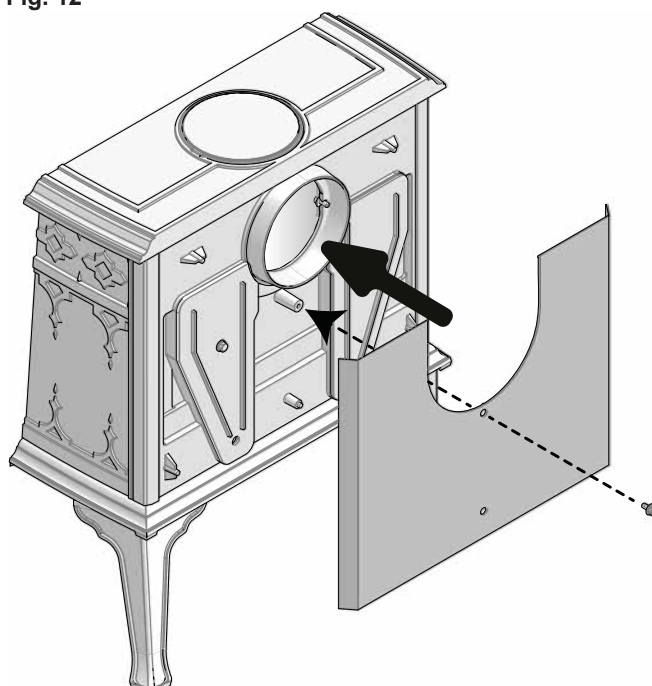
4. Fissare la copertura (A) con le viti (B).

Fig. 11



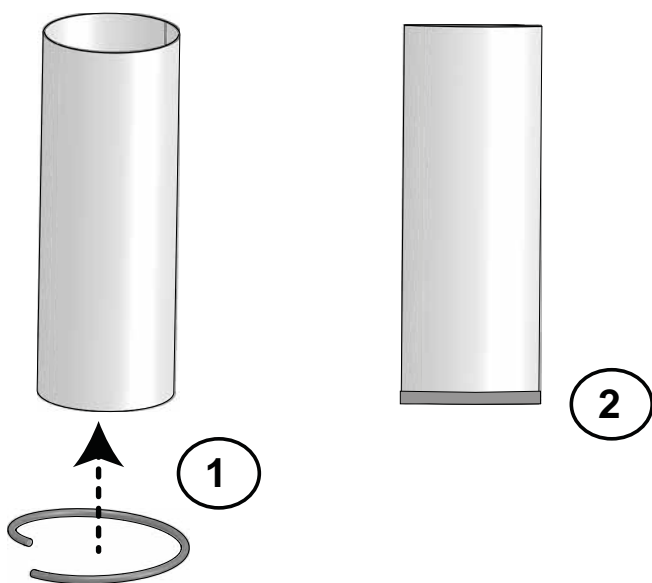
5. Tagliare la parte (A) nello scudo termico per il condotto di scarico fumi.

Fig. 12



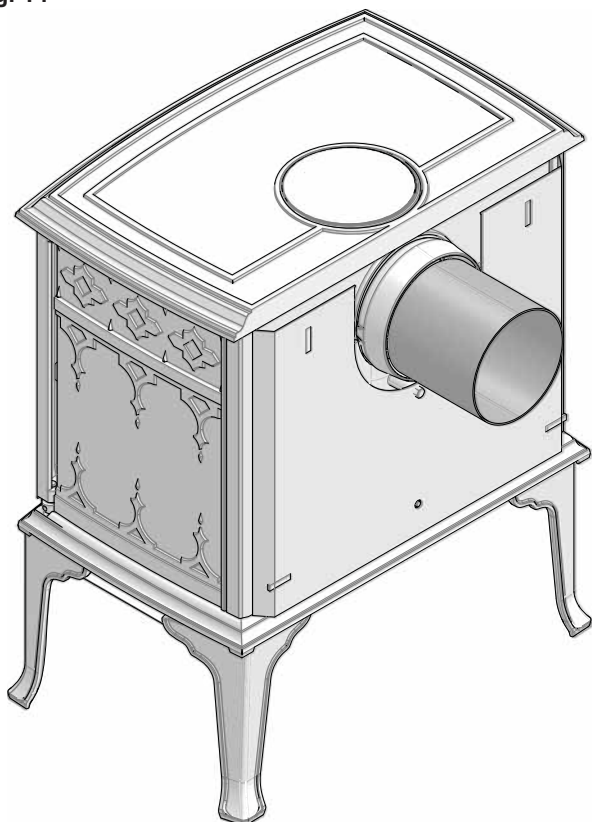
6. Installare lo scudo termico posteriore sulla stufa.

Fig. 13



7. Rimuovere la carta protettiva dalla guarnizione e fissarla attorno alla parte esterna del condotto di scarico fumi.

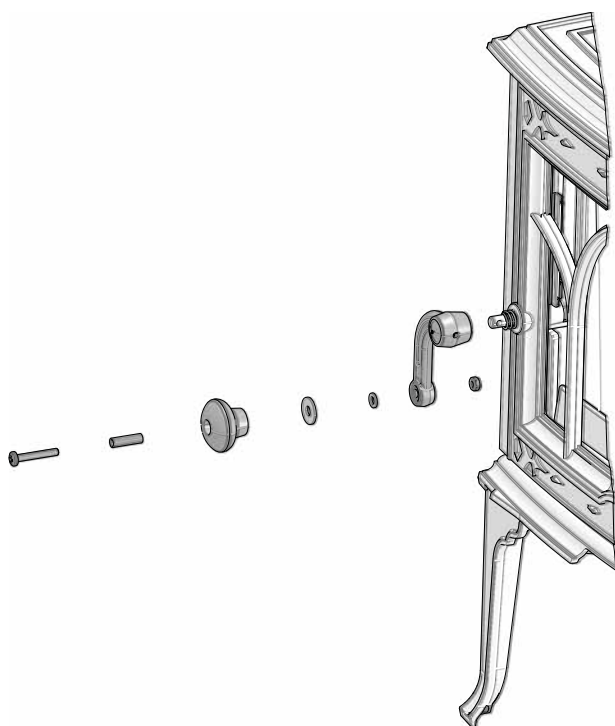
Fig. 14



8. Installare il condotto di scarico fumi allo scarico.

Montaggio la maniglia della porta

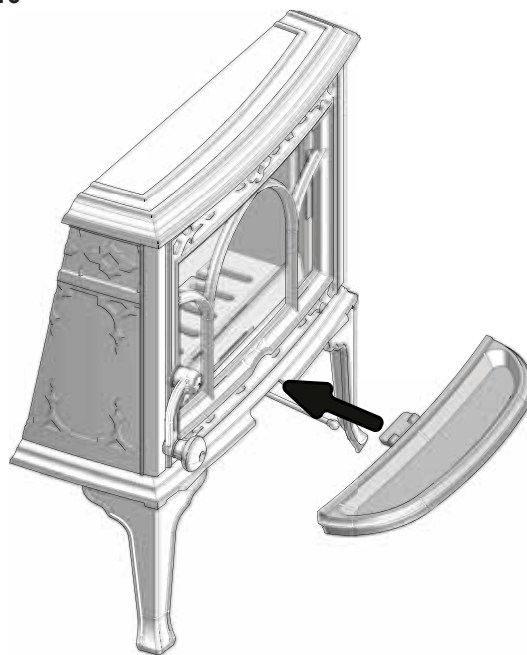
Fig. 15



• Avvitare la manopola della porta alla maniglia.

Il ceneraio

Fig. 16



• Installare il ceneraio appendendolo sotto la porta.

4.3 Canna fumaria e condotto

- Il caminetto deve essere collegato solo a una canna fumaria e a un condotto approvati per caminetti a combustibile solido; le temperature dei gas prodotti dal fumo sono indicate nel capitolo “2.0 Dati tecnici”.
- Il collegamento della canna fumaria deve essere realizzato in conformità alle istruzioni di installazione fornite dal produttore della stessa.
- La stufa deve essere installata con tubi con certificazione specifica CE. Queste le indicazioni sulla distanza da materiali infiammabili che si applicano a questa stufa.
- Anche per i tubi va rispettata la distanza da materiali infiammabili.
- Le curve inserite per l'evacuazione fumi o qualsiasi cambio di direzione influenza/riduce il tiraggio. Questo effetto si ha anche quando si utilizzano tratti orizzontali con pendenze ridotte.
- Prima di praticare un foro nella canna fumaria, montare e posizionare provvisoriamente il prodotto, in modo da individuare la corretta posizione del caminetto e del foro sulla canna fumaria. Vedere la Fig. 1 per le dimensioni minime.
- Assicurarsi che sia possibile spazzare vicino allo scarico posteriore e allo scarico superiore. Se necessario, utilizzare un condotto di scarico fumi dotato di un portello.
- È estremamente importante che i collegamenti abbiano una certa flessibilità, questo per impedire ogni movimento in fase di installazione tale da causare la formazione di crepe.
- Per il tiraggio raccomandato della canna fumaria, consultare il capitolo “2.0 Dati tecnici”. Per le dimensioni del condotto con la sezione trasversale rilevante, consultare il capitolo “2.0 Dati tecnici”. **Nota: Il diametro della canna fumaria deve essere almeno delle stesse dimensioni del condotto.**

Nota: la lunghezza minima raccomandata della canna fumaria è 4,0 m dall'inserimento del condotto. Se il tiraggio risulta eccessivo, installare una valvola di regolazione del tiraggio.

ITALIANO

Come vento e agenti atmosferici influiscono sulla stufa

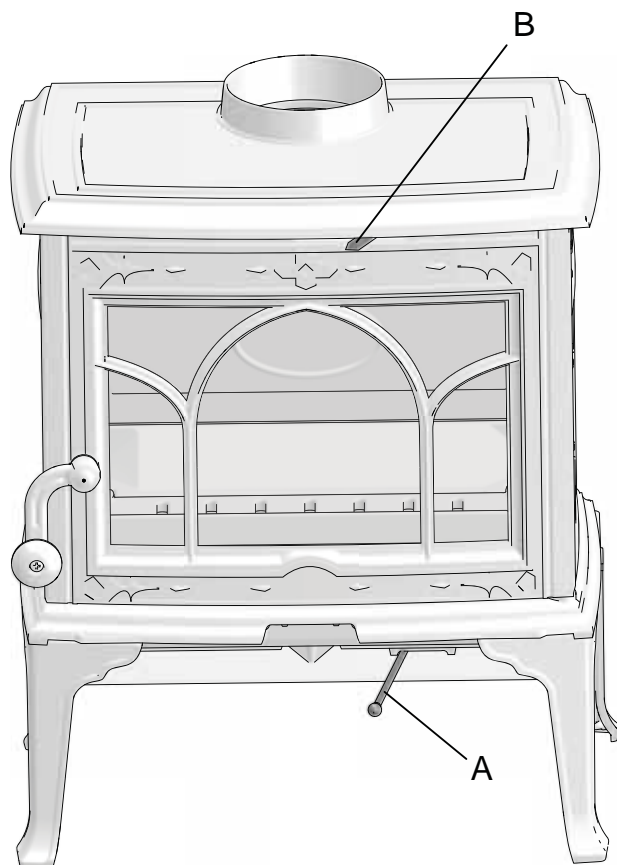
Le performance della stufa possono essere influenzate notevolmente dal vento che agisce sul camino con una forza diversa. Pertanto può essere necessario regolare l'alimentazione dell'aria per garantire buone performance di combustione. Inoltre può essere utile montare una valvola di tiraggio nel tubo di scarico, in modo da regolare il tiraggio del camino in base alla forza del vento.

Nebbia e foschia possono avere un impatto significativo sul tiraggio del camino e può essere necessario utilizzare impostazioni dell'aria di combustione per garantire buone performance.

4.4 Controllo delle prestazioni

Una volta assemblato il prodotto, controllare sempre le manopole di comando. Devono muoversi facilmente e funzionare in modo soddisfacente.

Fig. 17



Presse di accensione (A) e d'aria (B)

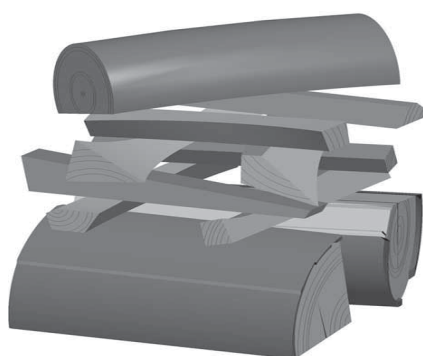
Srinta a sinistra: chiusa
Srinta a destra: aperta

4.5 Accensione iniziale

- Aprire sia la leva d'aria secondaria che la leva d'accensione spingendoli verso destra. Se necessario, tenere leggermente aperta la porta. (quando la maniglia è calda è opportuno utilizzare un guanto).

- Collocare due ceppi di medie dimensioni su ciascun lato della base. **N.B.** Al fine di evitare che il vetro si copra di fuliggine, è importante che i ciocchi non vengano sistemati in prossimità del vetro sul prodotto.
- Posizionare le esche per il fuoco o la corteccia del legno di betulla tra i ceppi. Impilare sopra del legno tagliato fine, con uno schema incrociato. Accendere il fuoco.
- Aumentare gradualmente la fiamma facendo in modo che la legna non superi i fori orizzontali sul retro della piastra di combustione.
- Infine, posizionare un ceppo di dimensioni medie in cima alla pila.
- Controllare che si sia verificata la combustione secondaria. Ciò viene indicato dalla presenza di fiamme gialle e sfarfallanti sotto al parafiamma.
- Regolare la presa d'aria superiore in modo da ottenere il tasso di combustione per il livello di riscaldamento desiderato (**A**)
- Chiudere la porta della stufa. Deve sempre essere chiusa quando si accende il fuoco.

Fig. 18



Aggiunta della legna

Alimentare frequentemente la stufa, aggiungendo solo piccoli quantitativi di combustibile alla volta. Se la stufa è troppo piena, il calore creato potrebbe causare sollecitazioni estreme della canna fumaria. Aggiungere con moderazione il combustibile al fuoco. Evitare i fuochi che bruciano senza fiamme, dato che ciò produrrà il massimo inquinamento. Un fuoco ottimale si ottiene con una buona bruciatura e un fumo in uscita dalla canna fumaria quasi invisibile.

Pericolo di surriscaldamento

Il caminetto non deve mai essere utilizzato in modo tale da causare surriscaldamento

Il surriscaldamento si verifica in presenza di un eccesso di combustibile e/o di aria, causando un calore eccessivo. Un segno evidente di surriscaldamento è la presenza di un bagliore rosso in alcune parti del caminetto. Se ciò dovesse accadere, ridurre immediatamente l'apertura della presa d'aria.

Consultare un professionista se si sospetta che la canna fumaria non presenti un tiraggio corretto (tiraggio eccessivo o scarso). Per ulteriori informazioni, consultare il capitolo "4.0 Installazione" (Canna fumaria e condotto).

Condensa

Può capitare di riscontrare fenomeni di condensa nella camera di combustione / tubi / canna fumaria. Questo dipende dall'umidità della legna o da differenze di temperature nella

camera di combustione o nell'ambiente.

La condensa nella camera di combustione appare come un liquido nero. Questa deve essere rimossa per evitare danni alla colorazione del prodotto, del pavimento o del rivestimento. Per questo è importante una fase di accensione veloce che limiti la produzione di condensa.

Se l'afflusso di condensa continua si può usare della sabbia minerale sul fondo della camera di combustione.

5.0 Utilizzo giornaliero

Odori al primo utilizzo del caminetto

Quando il caminetto viene utilizzato per la prima volta, può emettere un gas irritante dal lieve odore. Ciò si verifica perché la vernice si secca. Il gas non è tossico, tuttavia il locale deve essere ventilato approfonditamente. Lasciare bruciare il fuoco con un tiraggio elevato, fino a far scomparire ogni traccia di gas, fumo e odore.

Consiglio per l'alimentazione della stufa

Nota: i ceppi conservati all'aperto o in un locale freddo devono essere collocati all'interno 24 ore prima dell'uso, al fine di portarli alla temperatura ambiente.

Ci sono vari modi per alimentare la stufa, tuttavia è sempre importante prestare attenzione a ciò che viene collocato nella stufa. Consultare la sezione "Qualità della legna".

La bruciatura con una scarsa circolazione dell'aria può causare una combustione insufficiente, una ridotta efficienza energetica e una maggiore emissione di particelle, nerofumo e altri composti nocivi alla salute e all'ambiente.

Qualità della legna

Per "legna di qualità" si intendono tipi di legna generalmente conosciuti come la betulla, l'abete e il pino.

I ceppi devono essere asciugati, in modo che il contenuto di umidità non sia superiore al 20%.

A tal fine, si consiglia di tagliare i ceppi alla fine dell'inverno. Tagliarli e impilarli in modo da garantire una buona ventilazione. Le pile di legna devono essere coperte per proteggere i ceppi dalla pioggia. Portare i ceppi all'interno all'inizio dell'autunno e impilarli/conservarli per utilizzarli in inverno.

Prestare particolare attenzione a non utilizzare mai i seguenti materiali come combustibile per il caminetto:

- Rifiuti domestici, buste di plastica, ecc.
- Legname verniciato o impregnato (in quanto estremamente tossico).
- Assi di legno laminato.
- Cumuli di legname trasportato dalla corrente

Possono danneggiare il prodotto e sono anche inquinanti.

Legna

L'efficienza di Jøtul F 100 ECO.2 garantisce una potenza termica nominale di 4,9 kW. Utilizzo di legna, con emissione nominale di calore: Circa 1,6 kg/h. Un altro fattore importante per ottenere un funzionamento efficiente della stufa è rappresentato dalle dimensioni dei ceppi, che devono essere le seguenti:

Fascine:

Lunghezza: circa 25-33 cm

Diametro: 2 - 5 cm

Quantità per un'accensione: 6-8 pezzi

Legna da ardere (spaccata):

Lunghezza raccomandata: 25 - 33 cm

Diametro: circa 8 cm

Intervalli di aggiunta della legna: circa ogni 45 minuti

Aumento della fiamma: 1,23 kg (potenza termica nominale:)

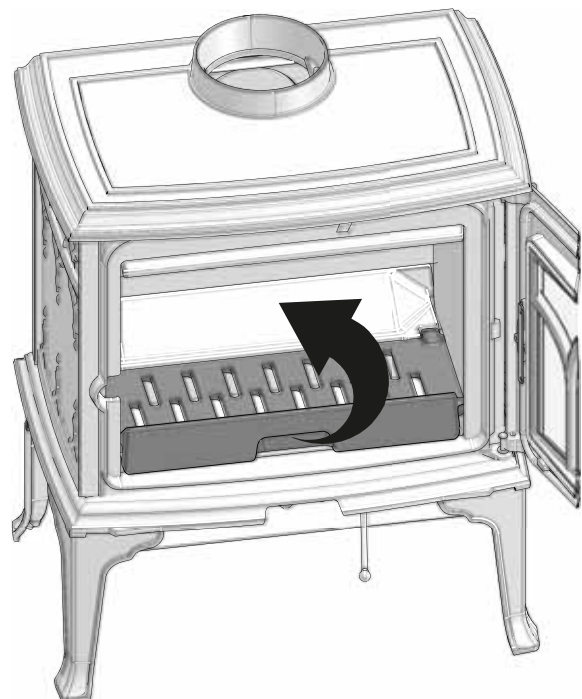
Quantità per carica: 2 pezzi

La potenza termica nominale viene raggiunta quando l'apertura della presa d'aria è pari al 50% circa (fig. 17). La presa d'aria di accensione è chiusa.

Eliminazione della cenere

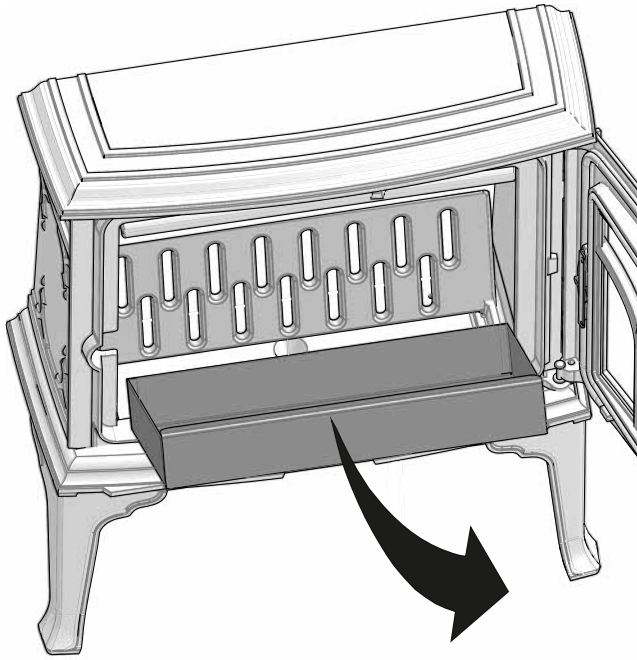
Jøtul F 100 ECO.2 possiede un ceneraio che rende più semplice rimuovere la cenere. Rimuovere la cenere solo quando la stufa è fredda.

Fig. 19



1. Raschiare la cenere attraverso la grata nel ceneraio. Accertarsi che il ceneraio non sia pieno al punto da impedire la fuoriuscita della cenere attraverso la grata.
2. Aprire la grata del fuoco.

Fig. 20



3. Sollevare il ceneraio e svuotarlo in un contenitore ignifugo.
4. Riposizionare il ceneraio.
5. Riposizionare la grata del fuoco.

5.1 Come vento e agenti atmosferici influiscono sulla stufa

Le performance della stufa possono essere influenzate notevolmente dal vento che agisce sul camino con una forza diversa. Pertanto può essere necessario regolare l'alimentazione dell'aria per garantire buone performance di combustione. Inoltre può essere utile montare una valvola di tiraggio nel tubo di scarico, in modo da regolare il tiraggio del camino in base alla forza del vento.

Nebbia e foschia possono avere un impatto significativo sul tiraggio del camino e può essere necessario utilizzare impostazioni dell'aria di combustione per garantire buone performance.

5.2 Canna fumaria

La canna fumaria è il motore che aziona il camino ed è essenziale possedere una buona canna fumaria perché il focolare funzioni correttamente.

Il tiraggio nella canna fumaria crea un vuoto nella stufa. Tale vuoto estrae il fumo dalla stufa e aspira aria attraverso il parafiamma dell'aria di combustione per alimentare il processo di combustione.

L'aria di combustione viene anche utilizzata per il sistema di lavaggio ad aria che mantiene pulita la finestra dalla fuliggine.

Il tiraggio nella canna fumaria è causato dalla differenza di temperatura all'interno e all'esterno della canna fumaria. Maggiore è la differenza di temperatura, migliore sarà il tiraggio nella canna fumaria. Pertanto è importante consentire alla canna fumaria di raggiungere la temperatura operativa prima di regolare le prese d'aria per limitare la combustione nella

stufa (una canna fumaria in muratura richiede più tempo per raggiungere la temperatura operativa rispetto ad una canna fumaria in acciaio).

È particolarmente importante raggiungere la temperatura operativa il più rapidamente possibile nei giorni in cui il tiraggio della canna fumaria non è ideale a causa di condizioni di vento e clima sfavorevoli. Assicurarsi che il combustibile si accenda il più rapidamente possibile. Suggerimento pratico: Tagliare la legna in pezzi molto più piccoli e utilizzare un'esca per il fuoco aggiuntiva.

Nota: Se la stufa non è stata utilizzata per diverso tempo, è importante verificare l'assenza di eventuali ostruzioni nel tubo della canna fumaria.

6.0 Manutenzione

6.1 Pulizia del vetro

Il prodotto dispone del sistema di pulizia ad aria del vetro. Attraverso la presa d'aria, l'aria viene risucchiata nella parte superiore del camino e spinta verso il basso lungo la parte interna del vetro.

Sarà comunque inevitabile l'accumulo di un po' di fuliggine sul vetro, la cui quantità dipenderà dalle condizioni di tiraggio locale e dalla regolazione della presa d'aria. La maggior parte della fuliggine verrà normalmente bruciata quando si apre completamente la presa d'aria mentre il fuoco brucia vivacemente nel camino.

Suggerimento utile! Per la pulizia generale, utilizzare carta da cucina inumidita con acqua calda e aggiungere della cenere presa dalla camera di combustione. Pulire il vetro con la carta, quindi risciacquarlo con acqua pulita e asciugarlo completamente. Se fosse necessario pulire il vetro più a fondo, utilizzare un detersivo per vetri (seguire le istruzioni riportate sul flacone).

6.2 Pulizia e rimozione della fuliggine

I depositi di fuliggine possono accumularsi sulle superfici interne del caminetto durante l'uso. La fuliggine è un buon isolante, pertanto riduce la potenza termica del caminetto. Se si accumulano depositi di fuliggine durante l'utilizzo del prodotto, per rimuoverli è sufficiente utilizzare un detersivo specifico.

Al fine di impedire la formazione di acqua e di uno strato di pece liquida nel caminetto, consentire regolarmente la presenza di fiamme particolarmente calde per rimuovere lo strato. È richiesta una pulizia interna annuale per ottenere i migliori risultati termici dal prodotto. Si consiglia di effettuarla insieme alla pulizia della canna fumaria e dei condotti.

6.3 Pulizia dei condotti alla canna fumaria

I condotti devono essere spazzati attraverso l'apposito portello o l'apertura della porta. In genere, occorrerà rimuovere il parafiamma.

6.4 Ispezione del caminetto

Jøtul raccomanda di ispezionare attentamente il proprio caminetto dopo averlo spazzato e pulito. Controllare tutte le superfici visibili per individuare eventuali crepe. Controllare anche che tutti i giunti siano sigillati e che tutte le guarnizioni siano nelle posizioni corrette. Qualsiasi guarnizione che mostri segni di usura o deformazione deve essere sostituita.

Pulire accuratamente le scanalature delle guarnizioni, applicare della colla per ceramica (disponibile presso il proprio rivenditore Jøtul locale) e premere la guarnizione in posizione. Il giunto si asciugherà rapidamente.

6.5 Manutenzione esterna

Il colore dei prodotti verniciati può alterarsi dopo svariati anni di utilizzo. La superficie deve essere pulita e spazzolata in modo da rimuovere ogni residuo prima di applicare la nuova vernice.

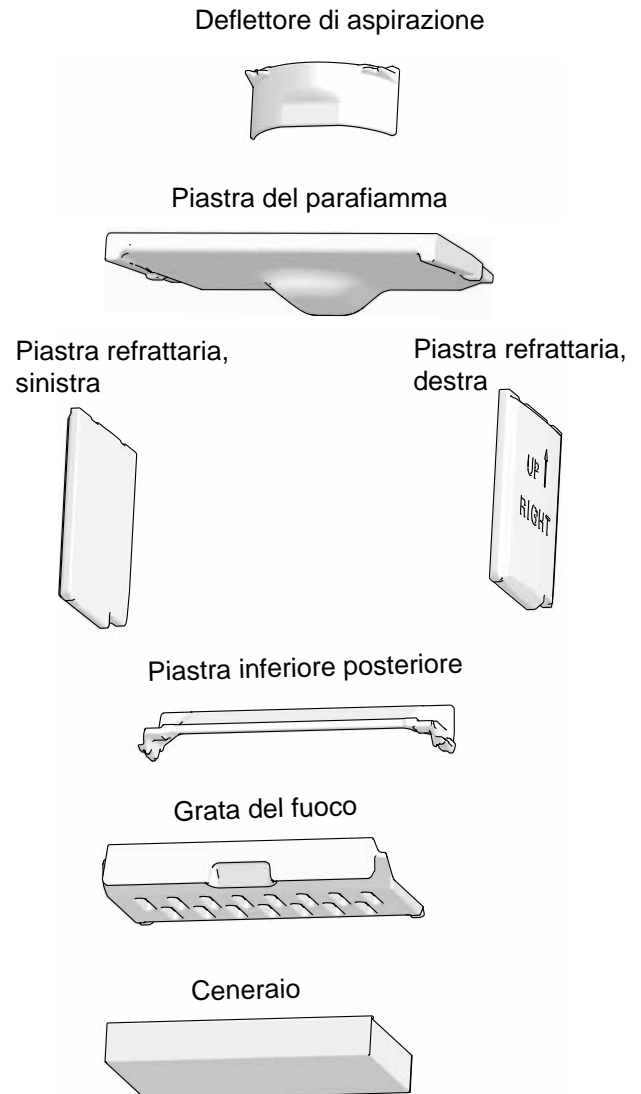
7.0 Assistenza

È vietata ogni modifica non autorizzata al prodotto. Utilizzare solo ricambi originali.

7.1 Sostituzione di componenti nella camera di combustione

Utilizzare gli utensili con grande attenzione. Il pannello Skamol (piastra refrattaria posteriore) deve essere maneggiato con cura per evitare danni.

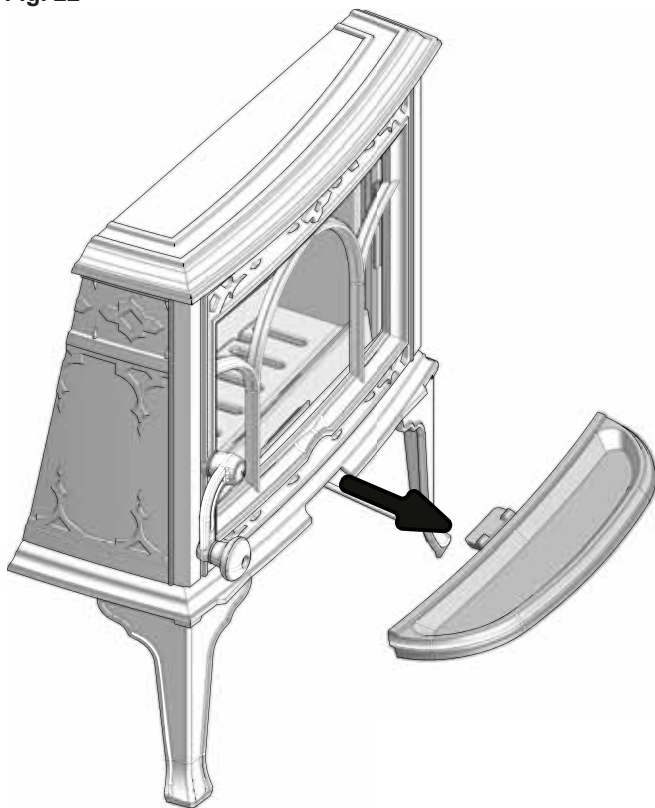
Fig. 21



ITALIANO

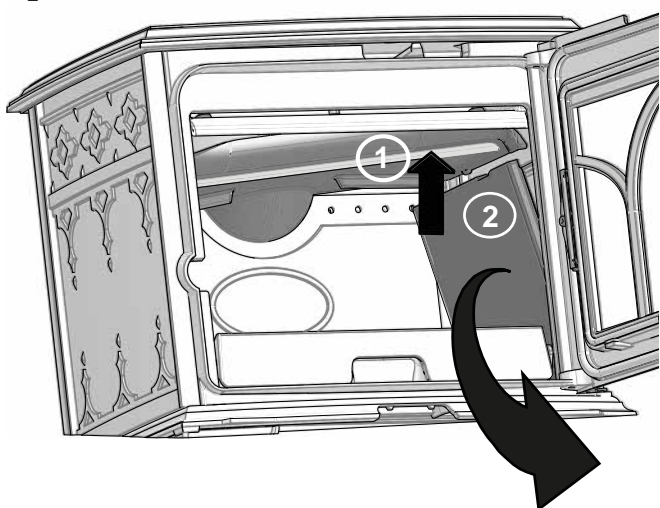
7.2 Sostituzione della piastra del parafiamma, delle piastre refrattarie e della grata del fuoco

Fig. 22



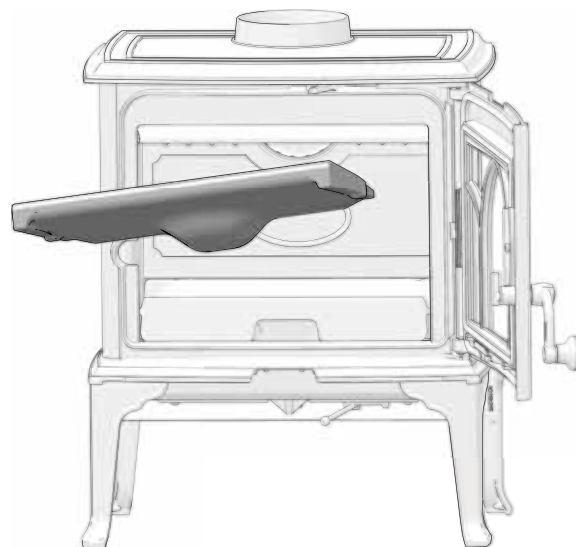
1. Rimuovere il ceneraio.

Fig. 23



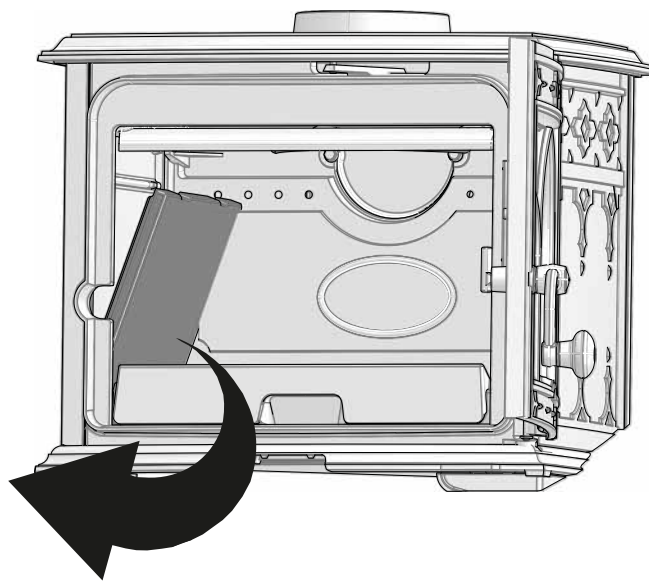
2. Sollevare il parafiamma che poggia sulle piastre refrattarie da un lato. Tenendo la piastra del parafiamma, sollevare la piastra refrattaria dallo stesso lato e rimuoverla dalla camera di combustione.

Fig. 24



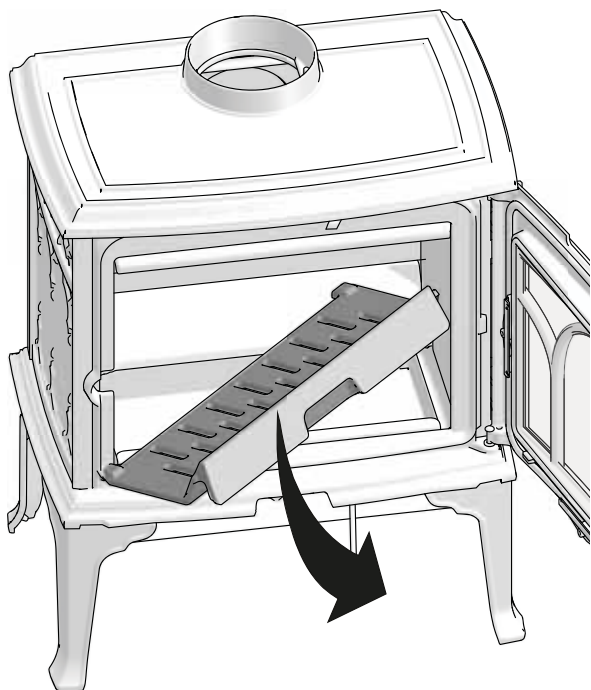
4. Inclinare ed estrarre la piastra del parafiamma

Fig. 25



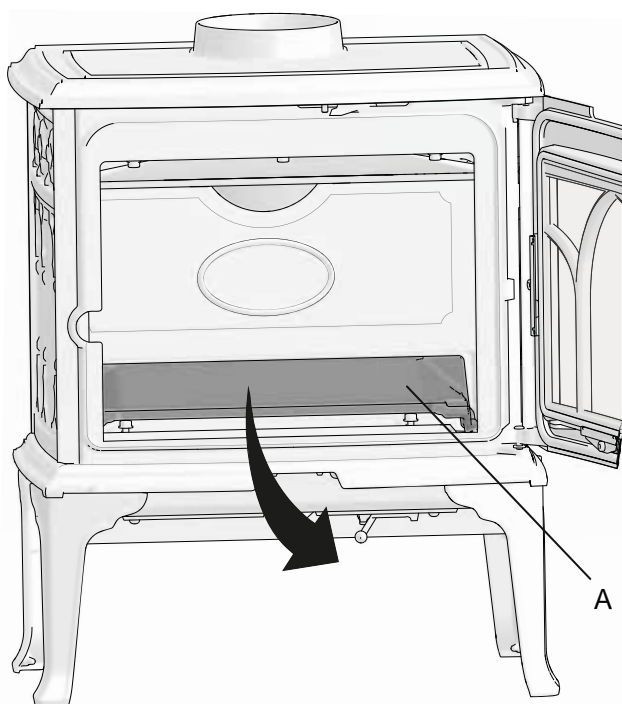
5. Quindi rimuovere l'altra piastra refrattaria.

Fig. 26



- Sollevare la grata del fuoco ed estrarla inclinandola.

Fig. 27



- Rimuovere la piastra inferiore posteriore (A).

Per reinserirla:

- Posizionare prima la piastra inferiore posteriore.
- Posizionare il ceneraio e la grata del fuoco.
- Posizionare la piastra refrattaria laterale sinistra. Posizionare la piastra del parafiamma sopra e tenerla ferma fino a quando la piastra refrattaria sull'altro lato non è di nuovo in posizione.

8.0 Risoluzione dei problemi

Scarso tiraggio

Verificare la lunghezza della canna fumaria e la conformità alle norme nazionali (per informazioni, vedere anche le sezioni «2.0 Dati tecnici» e «4.0 Installazione» (Canna fumaria e condotto) nel manuale di installazione).

Accertarsi che la sezione trasversale minima della canna fumaria sia conforme a quanto riportato nella sezione «2.0 Dati tecnici» del manuale di installazione.

Verificare che non ci sia nulla che impedisca il deflusso del fumo: rami, alberi e così via.

Se si sospetta un tiraggio eccessivo o insufficiente della canna fumaria, rivolgersi a un tecnico specializzato per la misurazione e la regolazione.

Il camino e spegnimento del fuoco

- Accertarsi che la legna sia sufficientemente secca.
- Verificare che ci sia una pressione negativa nella stanza, spegnere le ventole meccaniche e aprire una finestra nelle vicinanze del camino.
- Controllare che la presa d'aria sia aperta.
- Controllare che il condotto di scarico dei fumi non sia intasato dalla fuliggine.

Accumulo anomalo di fuliggine sul vetro

È inevitabile che si accumuli della fuliggine sul vetro, ma la sua quantità dipende da:

- Umidità del combustibile.
- Condizioni di tiraggio del locale.
- Apertura della presa d'aria.

Gran parte della fuliggine viene normalmente bruciata quando la presa d'aria è completamente aperta e il fuoco arde vivacemente nel camino.

9.0 Accessori opzionali

9.1 Scudo termico supplementare, retro

Codice art. 50012956

10.0 Riciclaggio

10.1 Riciclaggio dell'imballo

Ogni caminetto viene fornito all'interno del seguente imballo:

- Un pallet di legno che può essere tagliato e bruciato nel caminetto.
- Un imballo in cartone riciclabile da consegnare alle strutture di riciclaggio locali.
- Buste in plastica riciclabili da consegnare alle strutture di riciclaggio locali.

10.2 Riciclaggio del caminetto

Il caminetto è composto dai seguenti materiali:

- Metallo riciclabile da consegnare alle strutture di riciclaggio locali.
- Vetro da smaltire come rifiuto pericoloso. Il vetro contenuto nel caminetto non deve essere collocato in un normale contenitore per rifiuti domestici.
- Piastre refrattarie in vermiculite da smaltire nei normali contenitori per rifiuti domestici.

11.0 Termini della garanzia

1. La nostra garanzia copre:

Jøtul AS garantisce che i componenti esterni in ghisa sono esenti da difetti di materiali o lavorazione al momento dell'acquisto. È possibile estendere la garanzia per i componenti esterni in ghisa fino a 25 anni dalla data di consegna registrando il prodotto sul sito jotul.com e stampando la scheda di garanzia estesa entro tre mesi dall'acquisto. Consigliamo di conservare la scheda della garanzia assieme allo scontrino. Jøtul AS garantisce inoltre che i componenti delle piastre in acciaio sono esenti da difetti di materiali o lavorazione al momento dell'acquisto per un periodo di 5 anni dalla data di consegna.

La garanzia è valida a condizione che la stufa sia stata installata da un installatore qualificato conformemente con le leggi e normative applicabili e con le istruzioni di installazione e operative di Jøtul. I prodotti riparati e gli articoli sostitutivi sono garantiti per il periodo originale della garanzia.

2. La garanzia non copre:

- 2.1. Danni ai consumabili come le piastre refrattarie, le grate del fuoco, i parafiamma, le guarnizioni ed elementi simili, essendo soggetti a deterioramento nel tempo a causa della normale usura
- 2.2. Danni causati da manutenzione impropria, surriscaldamento, uso di combustibile non idoneo (esempi di combustibili non idonei sono, senza limitazione, cumuli di legname trasportato dalla corrente, legna impregnata, ritagli di assi, truciolato) o legna troppo umida/bagnata
- 2.3. Installazione di accessori opzionali per la modifica delle condizioni di tiraggio locali, la circolazione dell'aria o altre circostanze al di fuori del controllo di Jøtul
- 2.4. Casi di alterazione / modifica del focolare senza il previo consenso di Jøtul o l'utilizzo di parti non originali
- 2.5. Danni causati durante l'immagazzinaggio presso un distributore, il trasporto dal distributore o durante l'installazione
- 2.6. Prodotti venduti da rivenditori non autorizzati in aree in cui Jøtul opera un sistema di distribuzione selettiva
- 2.7. Costi associati (ad es., senza limitazione, trasporto, manodopera, trasferimento) o danni indiretti

Stufe a pellet, vetro, pietra, cemento, smalto e finitura a vernice (ad es., senza limitazione, scheggiatura, formazione di crepe, bolle o scolorimento e screpolatura) sono applicabili alle normative nazionali che disciplinano la vendita dei prodotti al consumo. La presente garanzia è valida per gli acquisti effettuati all'interno del territorio dello Spazio economico europeo. Qualsiasi domanda relativa alla garanzia deve essere rivolta al rivenditore Jøtul autorizzato di zona entro un periodo di tempo ragionevole, non successivo a 14 giorni dalla data in cui il guasto o il difetto si sono manifestati per la prima volta. Vedere l'elenco dei rivenditori sul nostro sito Web.jotul.com.

Se Jøtul non sarà in grado di rispettare i termini della garanzia per la stufe del cliente (fuori produzione), Jøtul offrirà al cliente una stufa di pari capacità di riscaldamento ma di modello differente.

Jøtul si riserva il diritto di rifiutare qualsiasi sostituzione di componenti o attività di assistenza nel caso in cui la garanzia non sia stata registrata online. La presente garanzia non pregiudica alcun diritto previsto dalle normative nazionali che disciplinano la vendita di prodotti al consumo. Il diritto di reclamo del cittadino è valido dalla data di acquisto e solo dietro presentazione di scontrino/numero di serie..

Inhoudsopgave

1.0 Wettelijke voorschriften.....	61
2.0 Technische gegevens	61
3.0 Veiligheid	62
4.0 Installatie.....	64
5.0 Dagelijks gebruik	69
6.0 Onderhoud.....	70
7.0 Service	71
8.0 Gebruiksproblemen - problemen oplossen	73
9.0 Optionele accessoires	73
10.0 Recycling	73
11.0 Garantievoorwaarden	74

Registreer uw haard op jotul.com met het oog op de garantie van 25 jaar.

Product: Jøtul Room heater fired by solid fuel			
CE			
Standard			
Minimum distance to adjacent combustible materials:			
Emission of CO in combustion products			
Flue gas temperature			
Nominal heat output			
Efficiency			
Operation range			
Fuel type			
Operational type			
The appliance can be used in a shared flue.			
Country	Classification	Certificate standard	Approved by
Norway	Klasse II		
Sweden	occ.	SP	SP Swedish Proving- och Söktjänst AB
EUR	intendant	EN	SP Swedish National Testing and Research Institute
Follow user's instructions. Use only recommended fuels. Montage- und Bedienungsanleitung beachten. Verwenden Sie nur empfohlenen Brennstoffe. Respectez les consignes d'utilisation. Utilisez uniquement les combustibles recommandés.			
Lot no: Y 2000, Year: 2000			
Manufacturer: Jøtul AS POB 1441 N-1602 Fredrikstad Norway		22196	

Al onze producten zijn voorzien van een label met een serienummer en een jaartal. Noteer dit nummer op de daarvoor bestemde plaats, zoals aangegeven in de installatie-instructies.

Houd dit serienummer bij de hand als u contact opneemt met uw leverancier of met Jøtul.

Lot no. Pin.

1.0 Wettelijke voorschriften

Een haard moet in overeenstemming met de wetten en voorschriften van uw land worden geïnstalleerd. Alle lokale bepalingen, inclusief de bepalingen die betrekking hebben op nationale en Europese normen, zullen worden nageleefd bij het installeren van het product.

Voordat u dit product in gebruik neemt, moet de installatie worden goedgekeurd door een gekwalificeerd technicus.

2.0 Technische gegevens

Materiaal:	gietijzer
Afwerking:	zwarte lak
Brandstof:	hout
Max. lengte van blokken:	35 cm
Rookafvoer:	boven-/achterkant
Doorsnede van de aansluiting:	
- binner:	Ø125mm/123cm ² doorsnede
- buiten:	Ø150mm/177cm ² doorsnede

Gewicht

Jøtul F 100 ECO.2 LL /	
Jøtul F 100 ECO.2 LL SE	89 kg
Jøtul F 100 ECO.2 SL /	
Jøtul F 100 ECO.2 SL SE	88 kg

Optionele accessoires: :

Extra hitte schild

Afmetingen van het product, afstanden:

Zie **afb. 1**

Technische gegevens volgens EN 13240 / NS 3058

Nominale warmteafgifte:	4,9 kW
Rookgasvolume:	4,1 g/s
Schoorsteentrek, EN 13240:	12 Pa
Aanbevolen negatieve druk in rookkanaal:	16 - 18 Pa
Efficiëntie:	80%
CO-uitstoot (13% O ₂):	0,10 %
CO-uitstoot (13% O ₂):	1213 mg / Nm ³
NOx (13% O ₂):	86 mg / Nm ³
OGC (13% O ₂):	98 mg C / Nm ³
Luchtverbruik:	15-20 m ³ /h
Schoorsteentemperatuur, EN 13240:	271 °C
Stof:	25 mg/Nm ³ @13%O ₂
Emissie van deeltjes NS 3059:	3,7 g / kg

Type brandstof:	Hout
Aanbevolen hoeveelheid:	25-33 cm
Max. lengte van blokken:	35 cm
Hoeveelheid randstofverbruik:	1,56 kg/h
Max. hoeveelheid aanmaakhout:	2,1 kg
Nominale hoeveelheid aanmaakhout:	1,23 kg
Bedrijf:	Cyclisch

Cyclische verbranding betekent in deze context normaal gebruik van een haard, d.w.z. dat u meer brandstof moet toevoegen als het vuur tot sintels is verbrand.

3.0 Veiligheid

NB! Om zeker te zijn van optimale prestaties en veiligheid, dienen de kachels van Jøtul altijd te worden geplaatst door een gekwalificeerde installateur.

Aanpassingen aan het product door de distributeur, installateur of consument kunnen ertoe leiden dat het product en de beveiligingen niet naar behoren functioneren. Hetzelfde geldt voor de installatie van niet door Jøtul geleverde accessoires of optionele extra's. Dit kan ook het geval zijn indien essentiële onderdelen voor het functioneren en de veiligheid van de haard gedemonteerd of verwijderd worden.

In al deze gevallen is de fabrikant niet verantwoordelijk of aansprakelijk voor het product en het recht op reclamatie komt hierdoor te vervallen.

3.1 Maatregelen op het gebied van brandpreventie

Elk gebruik van de haard brengt een zeker risico met zich mee. Neem daarom de volgende instructies nauwkeurig in acht:

- De minimale veiligheidsafstanden tijdens het gebruik van de haard zijn weergegeven in **afb. 1**.
- Zorg ervoor dat er geen meubels of andere brandbare materialen te dicht bij de haard staan. Brandbare materialen mogen nooit binnen 1000 mm afstand van de haard geplaatst worden.
- Laat het vuur vanzelf uitgaan. Blus het vuur nooit met water.
- De haard wordt tijdens gebruik warm en kan bij aanraking brandwonden veroorzaken.
- Verwijder de as niet voordat de haard koud is. De as kan smeulende resten bevatten en moet daarom in een onbrandbare bak worden bewaard.
- De as moet naar buiten worden afgevoerd of worden weggegooid op een plek waar geen brandgevaar bestaat.

Bij brand in de schoorsteen

- Sluit alle luiken en ventilatieopeningen.
- Houd de deur van de vlamkast gesloten.
- Bel de brandweer.
- Voordat u de haard opnieuw in gebruik neemt na een brand, moet een deskundige de haard en de schoorsteen controleren om na te gaan of deze goed werkt.

3.2 Vloer

Fundament

Het fundament moet op de haard berekend zijn. Zie «**2.0 Technische gegevens**» voor het gewicht van de haard. Het wordt aanbevolen om een vloer die niet aan het fundament bevestigd is, een zogenaamde zwevende vloer, bij de installatie te verwijderen.

Eisen voor het beschermen van een houten vloer onder de kachel

Jøtul F 100 ECO.2 SL en Jøtul F 100 ECO.2 SL SE (Special Edition) (Korte poten)

De Jøtul F 100 ECO.2 SL (met korte poten) kan uitsluitend worden geïnstalleerd op vloeren waarbij zowel het oppervlak

als de constructie zelf van onbrandbare materialen zijn. Het onbrandbare gebied moet een verlenging van minimaal 350 mm vanaf de kachel hebben.

In deze omgeving adviseren wij de installatie op een vloer zonder elektrische of wateraangestuurde vloerverwarming.

Jøtul F 100 ECO.2 LL (Lange poten):

De Jøtul F 100 ECO.2 heeft een hittedeksel aan de onderkant dat de vloer tegen uitstraling beschermt. Het product kan daarom rechtstreeks op een houten vloer worden geplaatst, waarbij de vloer moet worden afgedekt met een plaat van metaal of een ander geschikt onbrandbaar materiaal. De aanbevolen minimumdikte is 0,9 mm.

Jøtul raadt aan dat alle vloeren van brandbaar materiaal, zoals linoleum, tapijt, enz. onder de vloerplaat verwijderd moet worden.

De voorplaat moet in overeenstemming zijn met de nationale wetten en voorschriften. Neem contact op met de afdeling Bouwtoezicht van uw gemeente voor informatie over beperkingen en installatie-eisen.

Eisen voor het beschermen van brandbare vloeren vóór de kachel

Bescherm de vloer vóór de kachel met een plaat van metaal of van een ander onbrandbaar materiaal. De aanbevolen dikte is minimaal 0,9 mm.

De voorplaat moet in overeenstemming zijn met de nationale wetten en voorschriften

Neem contact op met de afdeling Bouwtoezicht van uw gemeente voor informatie over beperkingen en installatie-eisen.

3.3 Wand

Afstand tot brandbare muur met isolatie (afb. 1)

De kachel moet worden geïnstalleerd met een CE goedgekeurde rookgasafvoer. De afstand van de rookgasafvoer tot brandbare materialen moet ook gecontroleerd worden.

De afstand tot de muur van brandbaar materiaal - zie **afb. 1**.

Minimale afstand tot brandbare muur beschermd door brandmuur - zie **afb. 1**.

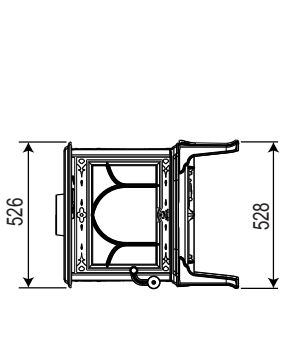
Eisen voor brandmuren

De brandmuur moet minimaal 100 mm dik zijn en zijn gemaakt van steen, beton of lichtgewichtbeton. Andere materialen en constructies met de juiste documentatie mogen ook worden gebruikt.

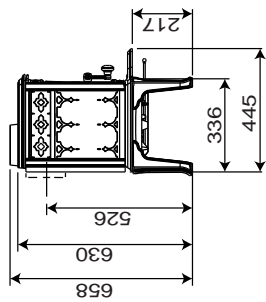
Niet-brandbare materialen zijn materialen als steen, klinker, beton, mineraalwol, silicaatplaten enz. (materialen die niet branden). Let op! Een geringe afstand tot een niet-brandbare

Jøtul F 100 ECO.2

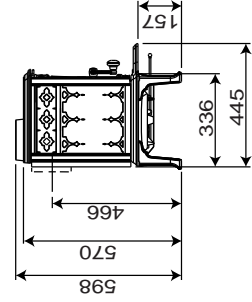
Afb. 1



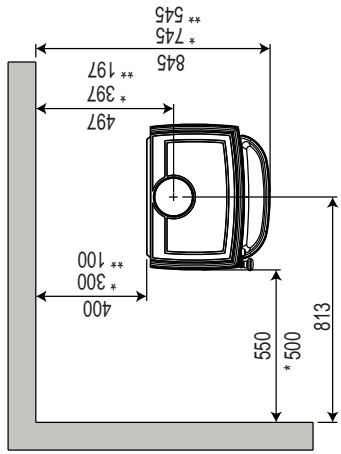
Jøtul F 100 ECO.2 LL (Lange poten)
Jøtul F 100 ECO.2 LL SE (Special Edition)



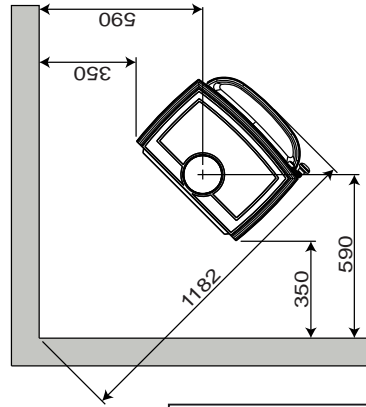
Jøtul F 100 ECO.2 SL og
Jøtul F 100 ECO.2 SL SE (Special Edition) (korte poten)
kan uitsluitend worden geïnstalleerd op vloeren
waarbij zowel het oppervlak als de constructie zelf
van onbrandbare materialen zijn. Het onbrandbare
gebied moet een verlenging van minimaal 350 mm
vanaf de kachel hebben.
NB! In deze omgeving adviseren wij de installatie
op een vloer zonder elektrische of
wateraangestuurde vloerverwarming.



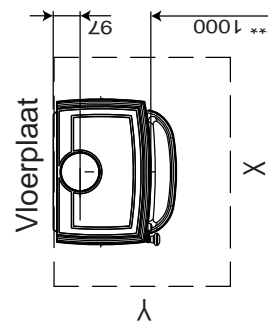
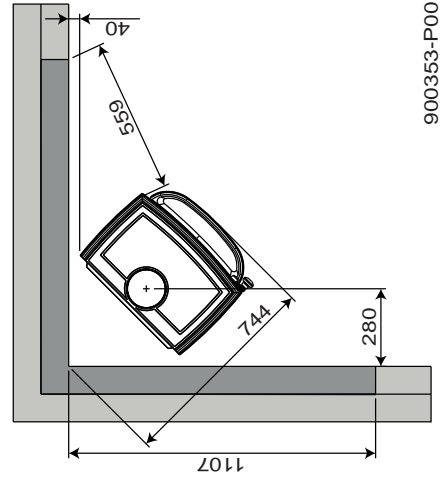
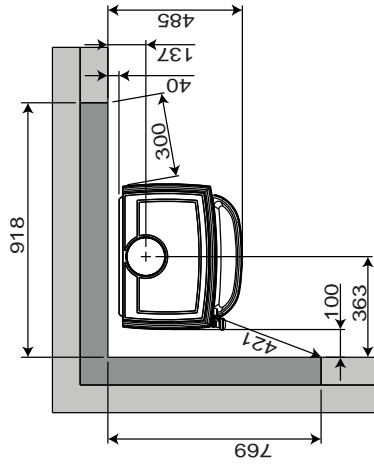
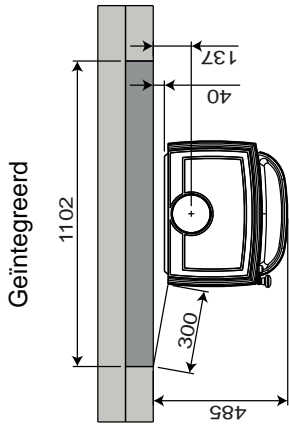
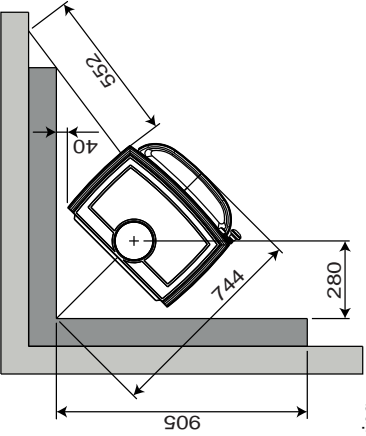
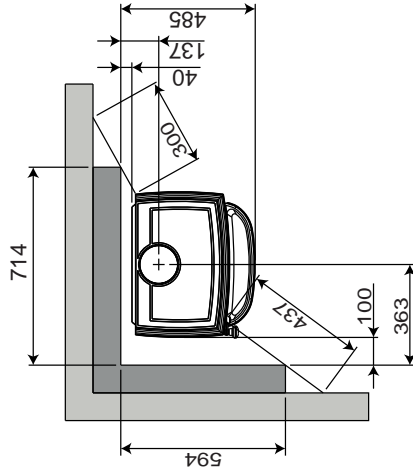
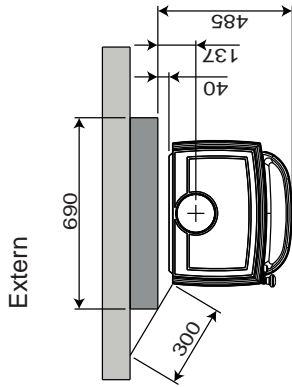
Minimale afstand tot brandbare muur



* Met halfgeïsoleerde kachelpijp
** Met halfgeïsoleerde kachelpijp
en extra hitteschild, achter



Minimale afstand tot brandmuur



Minimale afmetingen voor de vloerplaat
X/Y = In overeenstemming met nationale wet- en regelgeving.
*** Minimale afstand tot brandbare materialen

NEDERLANDS

muur kan tot uitdroging en verkleuring van verf leiden en barstjes veroorzaken.

- De kachel moet zo worden opgesteld dat de kachel zelf, de kachelpijp en de schoorsteen schoongemaakt kunnen worden.
- Zorg ervoor dat meubilair en andere huishoudartikelen niet zo dicht bij de kachel staan dat ze kunnen uitdrogen. Plaats brandbare materialen niet binnen een straal van 1000 mm van de haard.

3.4 Plafond

De afstand tot een brandbaar dak boven de haard moet minimaal **700** mm zijn.

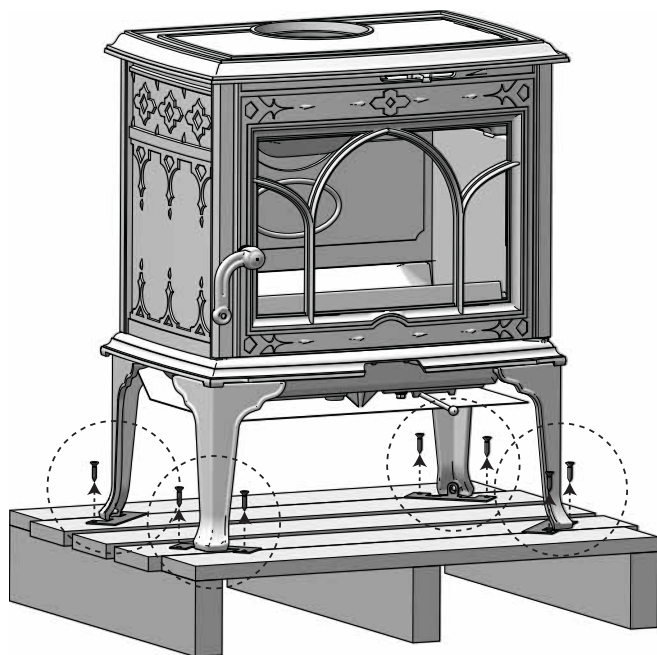
4.0 Installatie

- Controleer de kachel vóór het plaatsen op eventuele beschadigingen. Het product is zwaar! Vraag om hulp bij het plaatsen en installeren.
- Zorg dat meubilair en andere interieurelementen op veilige afstand van de kachel staan om uitdroging te voorkomen.
- Zorg dat de ventilatieopeningen in de ruimte waar de haard zich bevindt, niet zijn geblokkeerd.

4.1 Voorafgaand aan de installatie

1. Het standaardproduct zit in één verpakking
2. Neem de asrand, de rookuitlaat en het zakje met schroeven uit zodra het product is uitgepakt.

Afb. 3



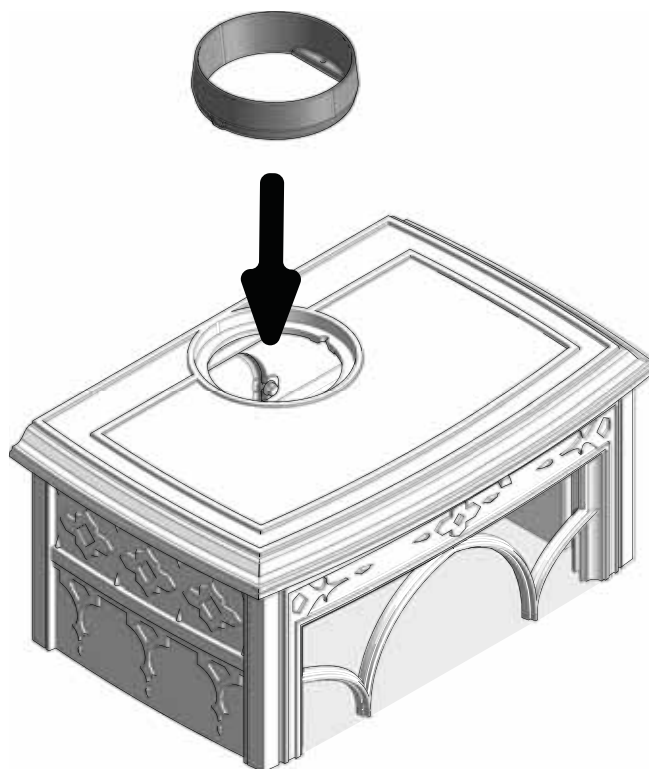
3. Verwijder de transportschroeven.

4.2 Installatie

Een kachelpijp met een boventuitlaat monteren

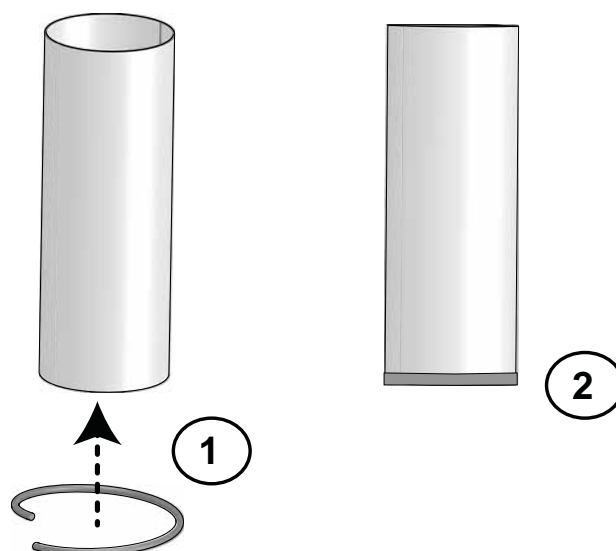
Het product is normaal gesproken gemonteerd voor een boventuitlaat.

Afb. 4



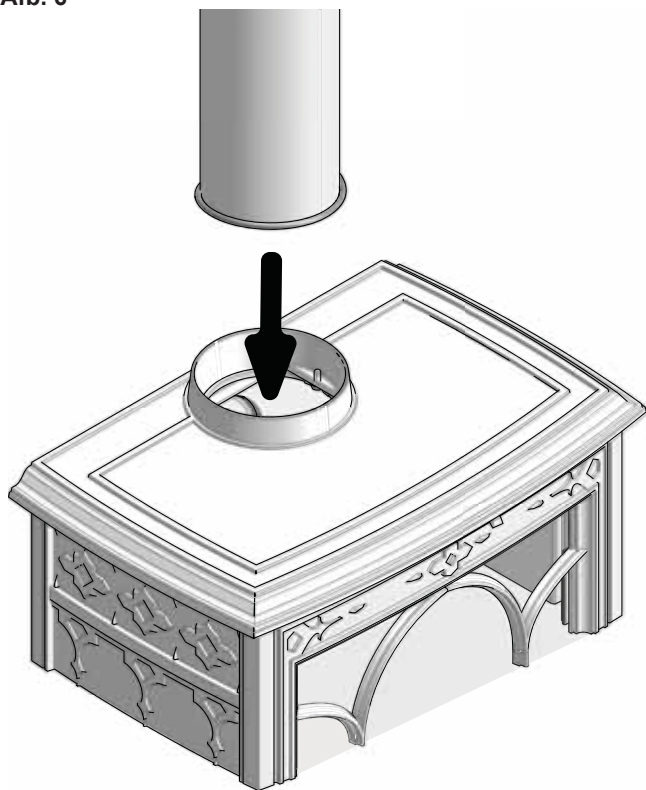
1. Bevestig de kacheluitlaat aan de topplaat met gebruikmaking van de twee schroeven.

Afb. 5



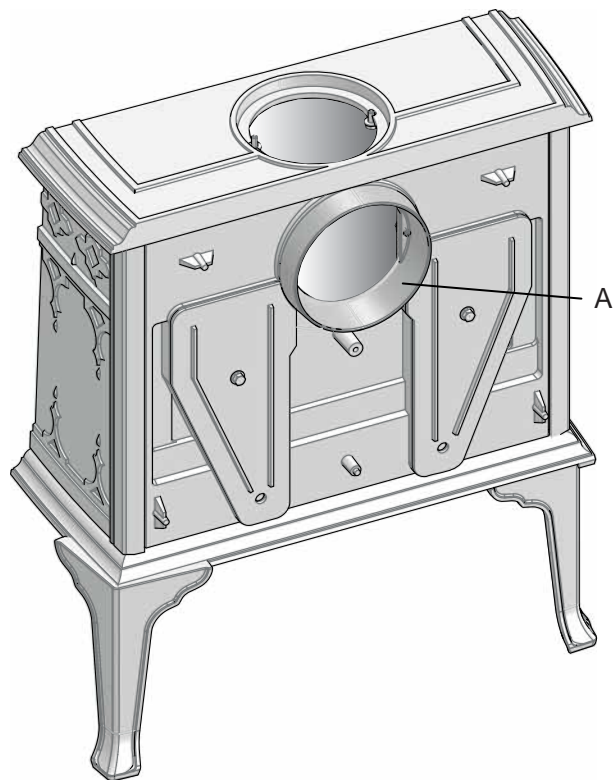
2. Verwijder het beschermende papier van de pakking en bevestig deze rondom de buitenkant van de kachelpijp.

Afb. 6



3. Installeer de kachelpijp in de kacheluitlaat.

Afb. 8



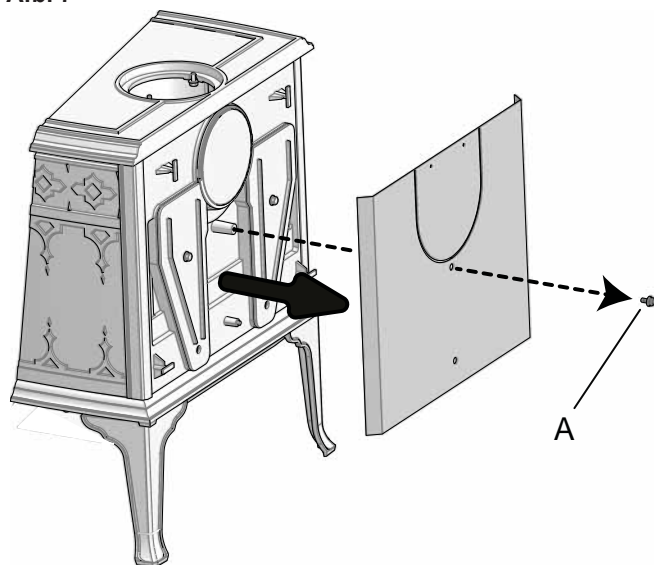
2. Monteer de kacheluitlaat (A) in de achteruitlaat.

Een kachelpijp met een achteruitlaat monteren

Als u een achteruitlaat wilt, gaat u als volgt te werk:

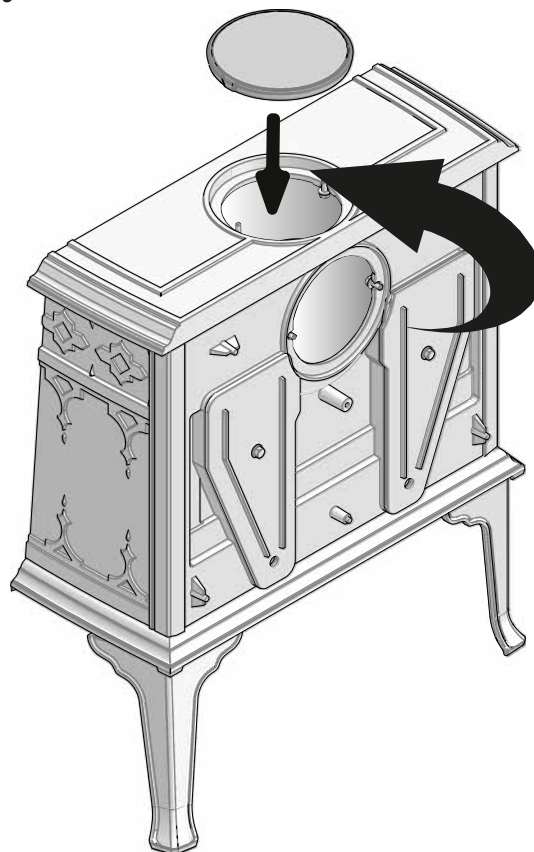
NB! Om de wijziging door te voeren, moet u eerst de vlamwingplaat verwijderen - zie afb. 23 - 24. Denk eraan om het later terug te plaatsen.

Afb. 7



1. Draai de schroef (A) los en verwijder het achterste hitteschild.

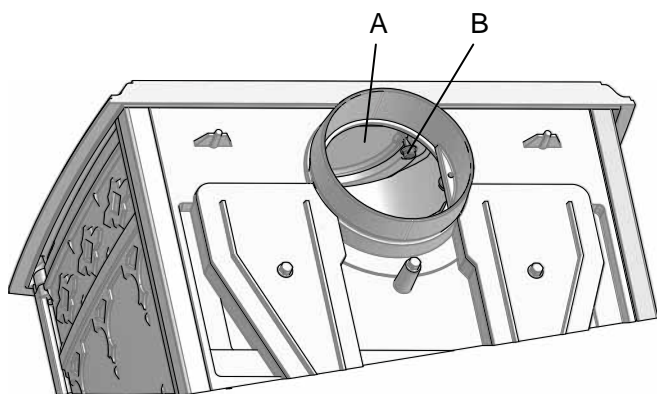
Afb. 9



3. Bevestig de afdekking op de toplaat.

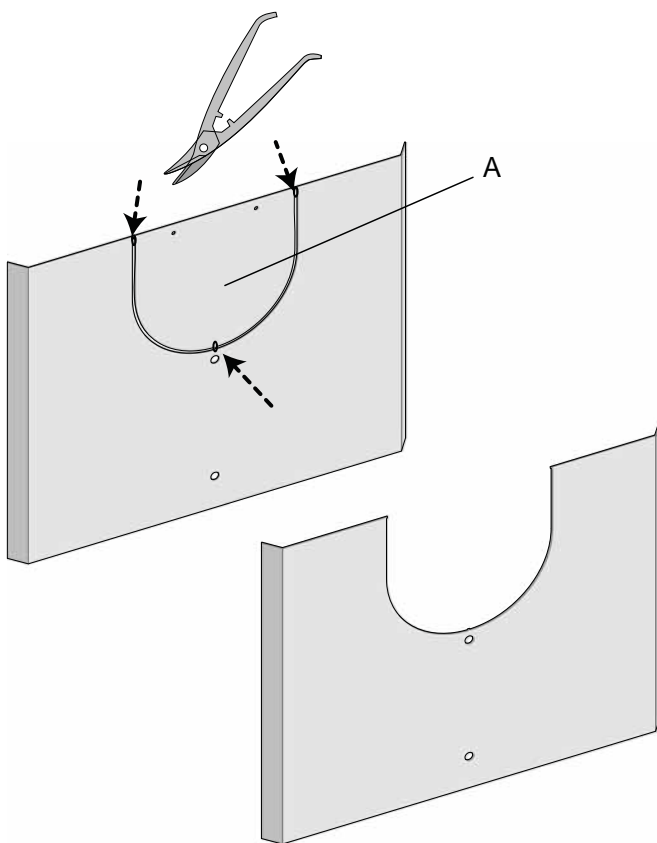
NEDERLANDS

Afb. 10



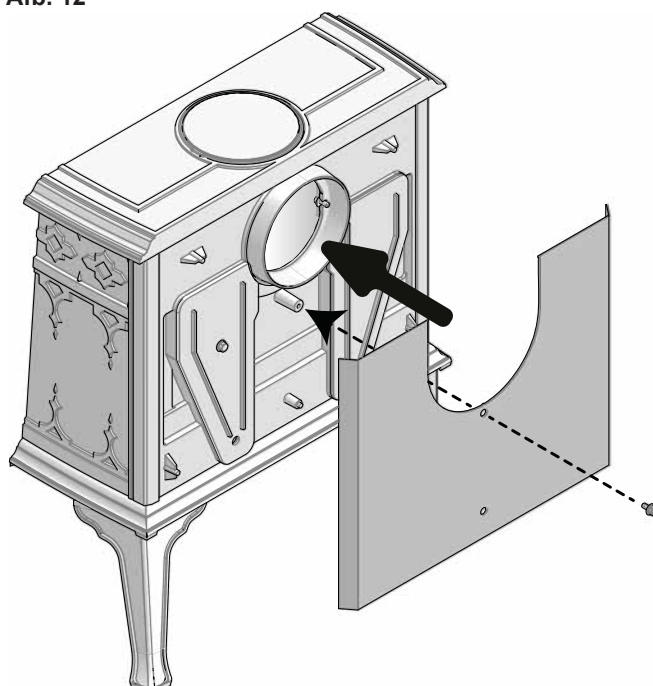
4. Bevestig de afdekking (A) met de schroeven (B).

Afb. 11



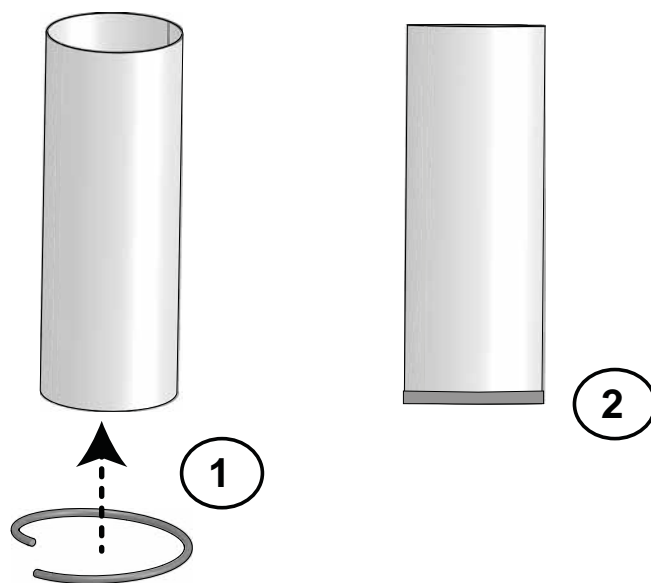
5. Snijd in het hittedeksel het deel (A) uit voor de kachelpijp.

Afb. 12



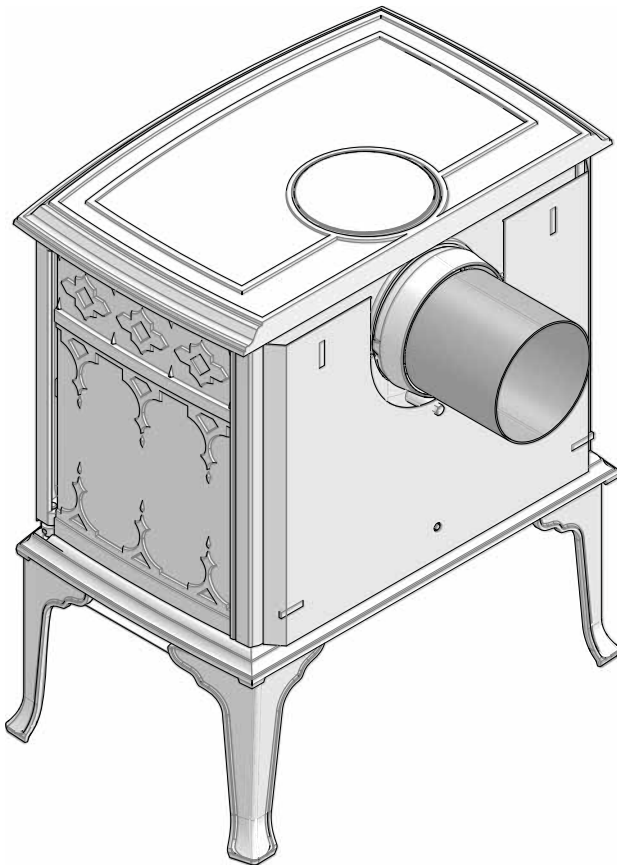
6. Installeer het achterste hittedeksel op de kachel.

Afb. 13



7. Verwijder het beschermende papier van de pakking en bevestig deze rondom de buitenkant van de kachelpijp.

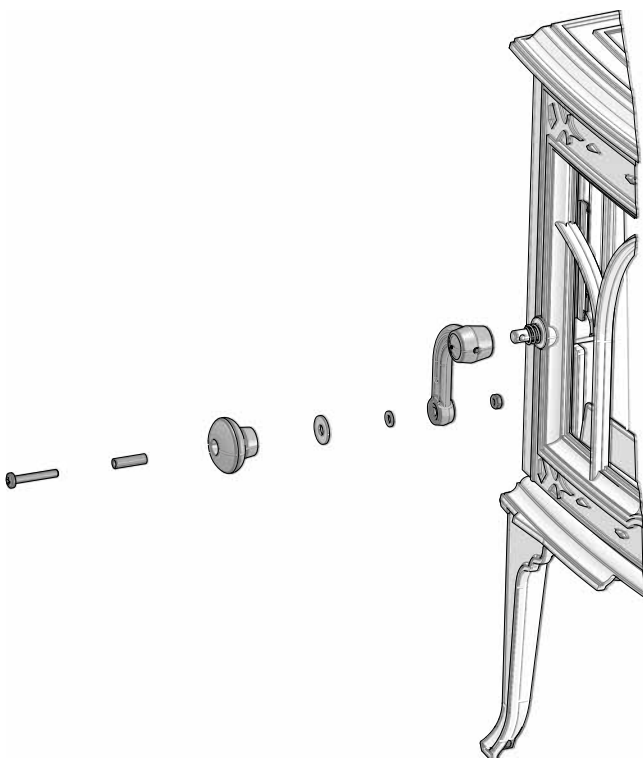
Afb. 14



8. Installeer de kachelpijp in de kacheluitlaat.

Installeer de deurknop

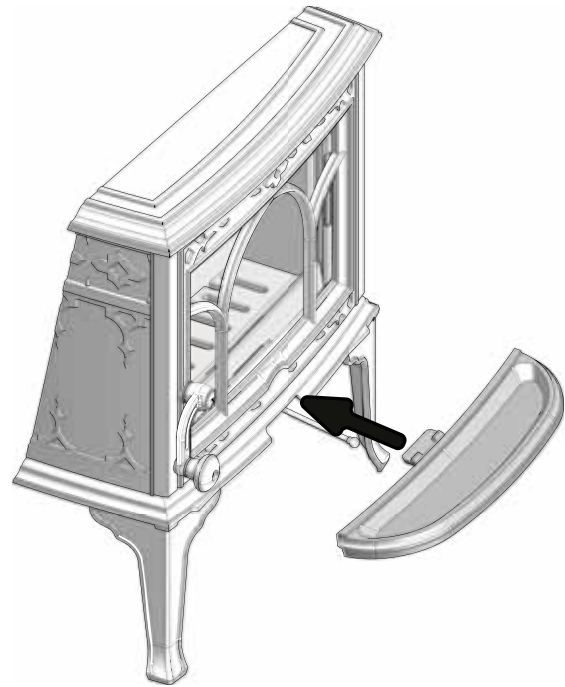
Afb. 15



• Schroef de deurknop op de hendel.

De asrand

Afb. 16



• Installeer de asrand door deze onder de deur te hangen.

4.3 Schoorsteen en kachelpijp

- De haard mag uitsluitend worden aangesloten op een schoorsteen en kachelpijp die zijn goedgekeurd voor haarden op vaste brandstof met rookgastemperaturen zoals gespecificeerd in «2.0 Technische gegevens».
- De doorsnede van de schoorsteen moet geschikt zijn voor een haard. Zie «2.0 Technische gegevens» om de juiste doorsnede van de schoorsteen te berekenen.
- De schoorsteen moet worden aangesloten in overeenstemming met de installatie-instructies van de schoorsteenleverancier.
- De kachel moet worden geïnstalleerd met een CE-goedgekeurde schoorsteen. De specifieke afstand tot brandbare materialen behoort tot deze kachel. De afstand van de rookgasafvoer tot brandbare materialen moet ook gecontroleerd worden.
- Meerdere bochten (of een bocht met meerdere hoeken) kunnen de schoorsteentrek beïnvloeden. Dit kan ook gebeuren met lange horizontale lengtes.
- Voordat u een opening in de schoorsteen maakt, moet het product als proef worden gemonteerd om de juiste positie van de haard en het gat in de schoorsteen te kunnen markeren. Zie Fig. 1. voor de minimale afmetingen.
- Zorg ervoor dat er naast de achteruitlaat en de uitlaat bovenin kan worden geveegd. Indien nodig moet u een kachelpijp met een veegluik gebruiken.
- Let op: het is zeer belangrijk dat de aansluitingen enigszins flexibel zijn. Zo voorkomt u dat kleine verplaatsingen tijdens de installatie tot vervorming of barsten leiden.
- Zie «2.0 Technische gegevens» voor de aanbevolen schoorsteentrek. Voor afmetingen van de kachelpijp met de relevante doorsnede, zie «2.0 Technische gegevens».

NB! De minimaal aanbevolen schoorsteenlengte is 4,0 m, gemeten vanaf de ingang van de kachelpijp. Als de trek te sterk is, kan een demper worden geïnstalleerd om de trek te verminderen.

NEDERLANDS

Werking tijdens verschillende Weeromstandigheden

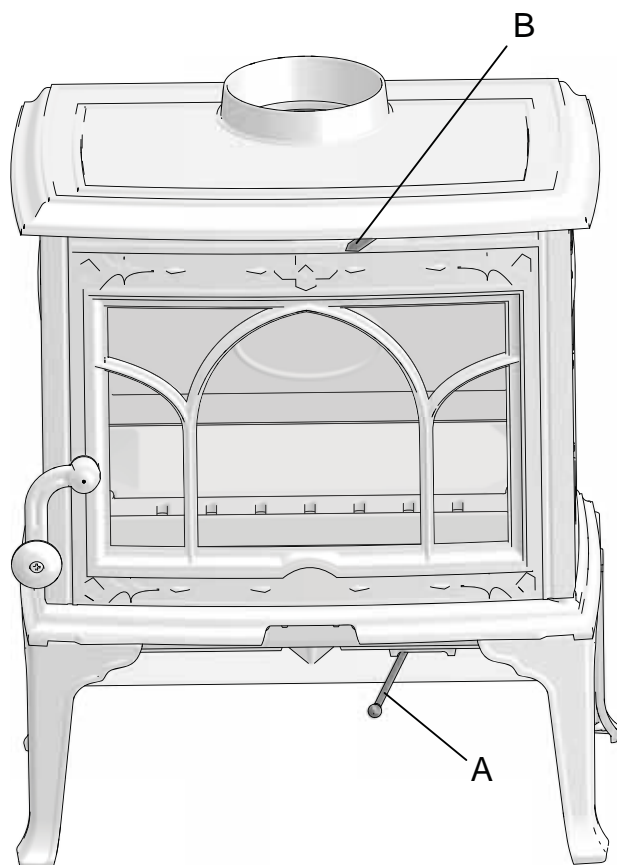
De invloed van de wind op de schoorsteen kan een grote invloed hebben op hoe de kachel onder verschillende windinvloeden reageert en het kan daarom noodzakelijk zijn om de luchttoevoer in te stellen om een goede verbranding te krijgen. Het kan een goed idee zijn om een klep in het rookkanaal te monteren om op die manier de schoorsteentrek onder wisselende windinvloeden te kunnen regelen.

4.4 Prestatiecontrole

Als het product is gemonteerd, moet u altijd de bedieningshendels controleren. Deze moeten makkelijk bewegen en goed werken.

De Jøtul F 100 ECO.2 is voorzien van de volgende bedieningsopties:

Afb. 17



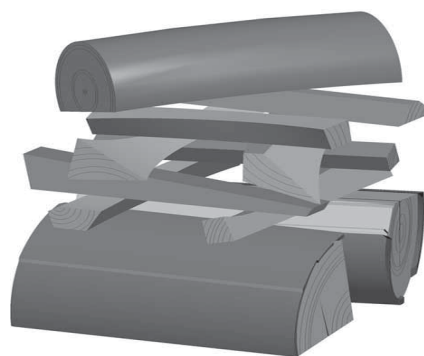
Ontstekings (A) en luchtopening (B)

Links: Gesloten
Rechts: Open

4.5 Gebruik

- Open zowel de luchtregeling als de regeling voor de ontsteking door ze naar rechts te duwen. Laat de deur indien nodig op een kiertje staan. (Gebruik een handschoen wanneer de hendel warm is.)
- Leg twee middelgrote blokken (afb. 18) hout aan weerszijden van de grondplaat. NB. Plaats geen hout tegen het glas, om te voorkomen dat het beroet raakt.
- Plaats aanmaakhoutjes of de schors van berkenhout tussen de blokken. Plaats wat klein gehakt hout hierboven op in een kruispatroon. Steek het vuur aan.
- Zorg ervoor dat het vuur geleidelijk aanwakkert. Het hout mag niet hoger worden opgestapeld dan met een rij gaatjes op de achterste branderplaat is aangegeven.
- Plaats tenslotte een middelgroot blok op deze stapel.
- **De maximale hoogte van de stapel hout moet net onder de horizontale gaten blijven. De gaten mogen niet worden bedekt.**
- Controleer of er naverbranding (secundaire verbranding) plaatsvindt. Er branden dan gele vlammen onder de keerplaat.
- Stel vervolgens de verbranding in op het gewenste warmteniveau door de ventilatieopening aan te passen (A).
- Sluit de kacheldeur. De kacheldeur moet bij het stoken altijd dicht zijn

Afb. 18



Houtblokken toevoegen

Stook de kachel regelmatig op, maar gebruik alleen kleine hoeveelheden brandstof tegelijk. Als de kachel te vol is, kan de hitte voor extreme druk in de schoorsteen zorgen. Voeg altijd met mate brandstof bij. Vermijd smeulend vuur omdat dit het meest vervuilend is. Het vuur is het beste als het goed brandt en de rook uit de schoorsteen nauwelijks zichtbaar is.

Gevaar van oververhitting

De haard mag nooit zo gebruikt worden dat er oververhitting ontstaat.

Oververhitting treedt op als de haard te veel brandstof bevat en/of de luchtopening te ver openstaat zodat er te veel hitte wordt ontwikkeld. Een duidelijk teken van oververhitting is dat er onderdelen van de haard rood gloeien. Als dat gebeurt, moet u de luchtopening direct verkleinen.

Vraag om professioneel advies als u vermoedt dat er geen goede trek in de schoorsteen zit (te veel of te weinig trek).

Condensatie

Er kan condensatie in een open haard / rookkanaal / schoorsteen optreden. Dit kan worden veroorzaakt door vochtig brandhout of verschillen in temperatuur in de open haard en de omgeving. Gecondenseerd water dat uit de haard komt, verschijnt als een zwarte, teerachtige vloeistof. Dit moet onmiddellijk worden afgeveegd om verkleuring van de haard, de vloer of de omliggende bouwcomponenten te voorkomen. Het is belangrijk om het hout snel te laten branden om condensatie te voorkomen.

Als de condensatie aanhoudt, kan er mineraal zand op de bodemplaat worden geplaatst.

5.0 Dagelijks gebruik

Geur bij eerste gebruik van de haard

Als de haard voor de eerste keer wordt gebruikt, kan irriterend gas vrijkomen dat onaangenaam kan ruiken. Dit gebeurt omdat de verf opdroogt. Het gas is niet giftig, maar toch is het beter om de ruimte goed te ventileren. Stook het vuur flink op totdat alle sporen van gas zijn verdwenen en geen rook of geuren meer zijn waar te nemen.

Brandadvies

NB: Blokken hout die buiten of in een koude ruimte zijn opgeslagen moeten 24 uur voor gebruik naar binnen worden gehaald zodat ze op kamertemperatuur kunnen komen.

Er zijn verschillende manieren waarop in de kachel gestookt kan worden, maar het is belangrijk dat u altijd voorzichtig bent met het materiaal dat u in de kachel stopt. Zie het hoofdstuk "Houtkwaliteit".

Houtkwaliteit

Met kwaliteitshout bedoelen we de meest bekende soorten hout zoals berk, spar en den.

De blokken moeten goed worden gedroogd zodat er niet meer dan 20% vocht in zit.

Om dit te bereiken moet het hout aan het einde van de winter worden gehakt. De blokken moeten worden gekloofd en dusdanig worden gestapeld dat er voldoende ventilatie is. De houtstapel moet worden afgedekt om de blokken tegen regen te beschermen. De blokken moeten begin herfst naar binnen worden gehaald en worden gestapeld/opgeslagen voor gebruik in de komende winter.

Let er goed op dat u de volgende materialen nooit als brandstof voor uw haard gebruikt:

- Huishoudelijk afval, plastic tassen, enz.
- Geverfd of geïmpregneerd hout (dat is uiterst giftig).
- Gelamineerde houten planken.
- Drijfhout

Deze kunnen schade toebrengen aan het product en zijn ook vervuilend.

NB: Gebruik nooit benzine, paraffine, methylalcohol of dergelijke vloeistoffen om het vuur aan te steken. Dit kan leiden tot ernstig persoonlijk letsel en schade aan het product.

Brandstofverbruik

De Jøtul F 100 ECO.2 Series heeft door zijn efficiëntie een nominale capaciteit van 4,9 kW. Benodigde hoeveelheid hout voor nominale warmteafgifte: ongeveer 1,6 kg per uur. Een andere belangrijke factor voor het brandstofverbruik is dat het brandhout het juiste formaat heeft. Het brandhout moet het volgende formaat hebben:

Aanmaakhout:

Lengte: Ongeveer 25-33 cm
Diameter: 2 - 5 cm
Hoeveelheid per vuur: 6-8 stuks

Brandhout (gehakte blokken):

Lengte: 25 - 33 cm
Diameter: Ongeveer 8 cm
Intervallen voor het aanvullen van het hout: Ongeveer iedere 45 minuten
Grootte van het vuur: 1,23 kg (nominale vermogen)
Hoeveelheid per lading: 2 stuks.

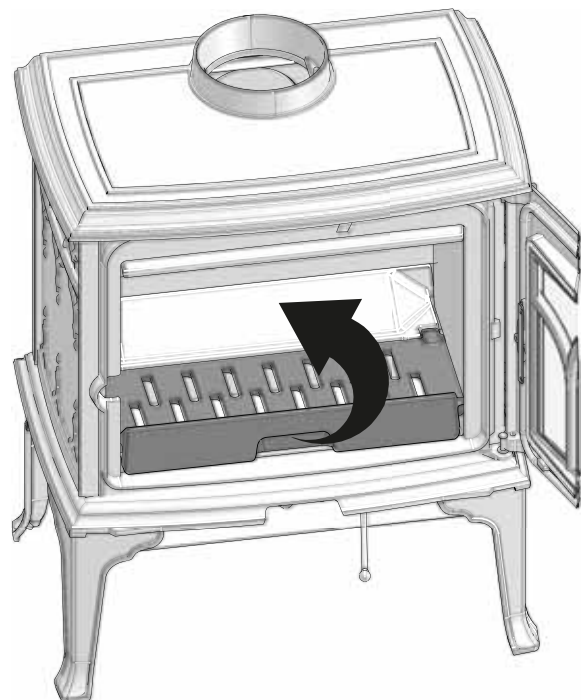
De nominale warmteafgifte wordt bereikt als de luchtopening ongeveer 50% geopend is (**afb. 17**). De ontstekingsopening is gesloten.

De as verwijderen

De Jøtul F 100 ECO.2 Series is voorzien van een aslade, waarmee u de as eenvoudig kunt verwijderen.

1. Verwijder de as niet voor de haard koud is.

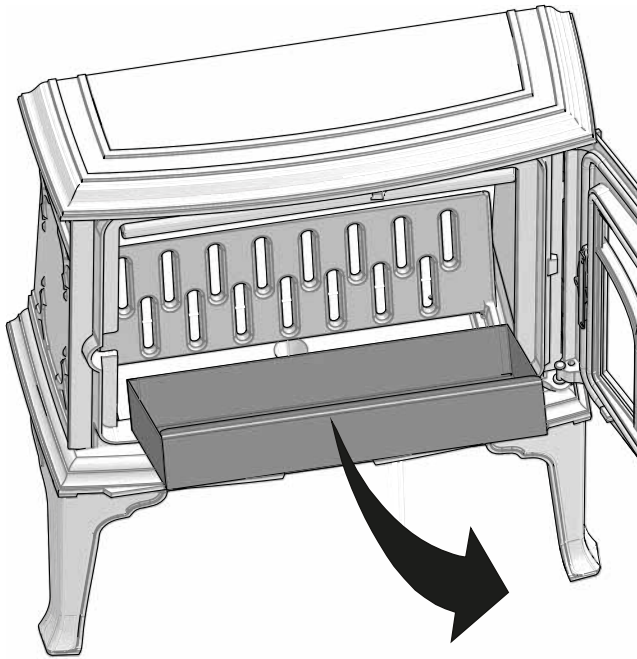
Afb. 19



1. Zorg ervoor dat de aslade niet zo vol raakt dat er geen as meer door het rooster de lade in kan.
2. Open het bodemrooster.
3. Schraap de as door het rooster in de aslade.
4. Open het bodemrooster.

NEDERLANDS

Afb. 20



5. Til de aslade uit de kachel en leeg deze in een niet-brandbare bak.
6. Plaats de aslade weer terug.
7. Vervang het bodemrooster.

5.1 Werking tijdens verschillende Weeromstandigheden

De invloed van de wind op de schoorsteen kan een grote invloed hebben op hoe de kachel onder verschillende windinvloeden reageert en het kan daarom noodzakelijk zijn om de luchttoevoer in te stellen om een goede verbranding te krijgen. Het kan een goed idee zijn om een klep in het rookkanaal te monteren om op die manier de schoorsteentrek onder wisselende windinvloeden te kunnen regelen.

Mist en nevel kunnen ook een grote invloed op de schoorsteentrek hebben en het kan daarom noodzakelijk zijn andere instellingen van de verbrandingslucht te gebruiken om een goede verbranding te bereiken.

5.2 Schoorsteen

De schoorsteen is als het ware de aandrijving van de kachel en het is van cruciaal belang dat er een goede schoorsteen aanwezig is om de kachel goed te laten werken.

De trek in de schoorsteen creëert een vacuüm in de kachel. Dit vacuüm trekt de rook uit de kachel en zuigt lucht naar binnen via de keerplaat voor de verbrandingslucht om de verbranding te voeden.

De verbrandingslucht wordt ook gebruikt voor het airwash-systeem dat voorkomt dat zich roet hecht aan de ruit.

De trek in de schoorsteen wordt veroorzaakt door het temperatuurverschil in en buiten de schoorsteen. Hoe groter het temperatuurverschil, hoe beter de trek in de schoorsteen. Het is daarom van belang om de schoorsteen zijn bedrijfstemperatuur

te laten bereiken, voordat u de luchtopeningen aanpast om de verbranding in te kachel te verminderen (een stalen schoorsteen bereikt sneller de bedrijfstemperatuur dan een gemetselde schoorsteen).

Met name wanneer de trek in de schoorsteen slecht is als gevolg van ongunstige wind- en weersomstandigheden is het van belang om de bedrijfstemperatuur zo snel mogelijk te bereiken. Zorg ervoor dat de brandstof zo snel mogelijk vlam vat. Praktische tip: Hak het hout in veel kleinere stukken en gebruik een extra aansteker.

NB: Als de kachel aanzienlijke tijd niet is gebruikt, dient u de schoorsteenpijp te controleren op verstoppingen.

6.0 Onderhoud

6.1 Glas reinigen

De haard is uitgerust met een ventilatieopening voor het glas. Lucht wordt aangezogen door de luchttoevoer boven de haard en stroomt langs de binnenkant van het glas naar beneden.

Toch zal zich altijd wel roet op het glas ophopen. De hoeveelheid is afhankelijk van de luchtstroom ter plaatse en de stand van de ventilatieopening. De roetlaag wordt gewoonlijk grotendeels weggebrand wanneer de ventilatieopening helemaal open staat en de haard flink brandt.

Goed advies! Maak voor een gewone schoonmaakbeurt een papieren handdoek nat met warm water en voeg er wat as uit de stookplaats aan toe. Wrijf met het papier over het glas en neem het glas daarna af met schoon water. Laat het glas goed drogen. Wanneer het glas grondig moet worden gereinigd, adviseren wij om glasreiniger te gebruiken (volg de gebruiksaanwijzing op de verpakking).

6.2 Reinigen en roet verwijderen

Tijdens gebruik kan zich roet afzetten op de binnenwanden van de haard. Roet werkt isolerend en kan daardoor de warmteafgifte van de haard verminderen. Als er zich te veel roet ophoopt, kunt u deze met een roetverwijderaar eenvoudig verwijderen.

Als u wilt voorkomen dat zich roet of condenswater ophoopt in de haard, moet u regelmatig flink stoken om de gevormde laag te verwijderen.

Een jaarlijkse schoonmaakbeurt is nodig voor een optimale warmteafgifte van het product. U kunt dit bijvoorbeeld doen als de schoorsteen en de kachelpijp worden geveegd.

6.3 Kachelpijpen vegen tot aan de schoorsteen

Bij sommige vrijstaande haarden kan de bovenplaat verwijderd worden, waardoor de pijp vanuit de haard kan worden geveegd. Als dit niet het geval is, moet de kachelpijp geveegd worden via het veegluik of de deuropening.

6.4 Inspectie van de haard

Jøtul raadt u aan om na het reinigen/vegen zelf een grondige inspectie van de haard uit te voeren. Controleer alle zichtbare oppervlakken op scheuren. Controleer ook of de deur- en glasafdichtingen luchtdicht afsluiten en of de pakkingen nog op hun plaats zitten. Pakkingen die sporen van slijtage of vervorming vertonen, moeten worden vervangen.

Maak de pakkingsgroeven grondig schoon, breng keramische lijm aan (te verkrijgen bij uw Jøtul-dealer) en druk de pakking goed in de groef. De lijm heeft een korte droogtijd.

6.5 De buitenkant onderhouden

Bij haarden met een laklaag kan na een paar jaar verkleuring optreden. Voordat u een nieuwe laag verf aanbrengt, moet u het oppervlak reinigen en alle losse deeltjes wegvegen.

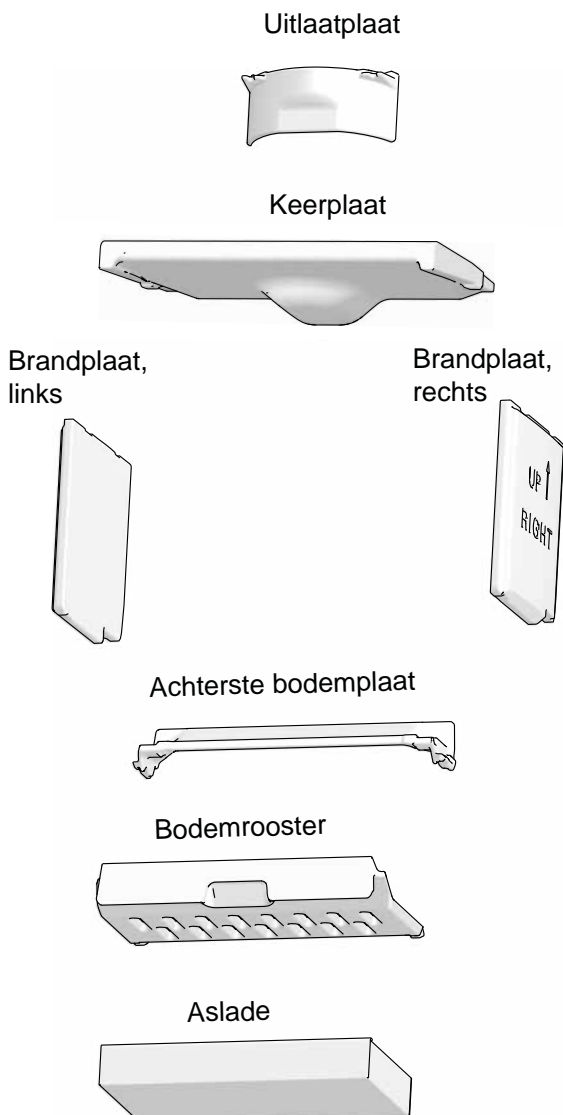
7.0 Service

Alle niet-goedgekeurde aanpassingen aan het product zijn verboden!

Gebruik uitsluitend originele reserveonderdelen!

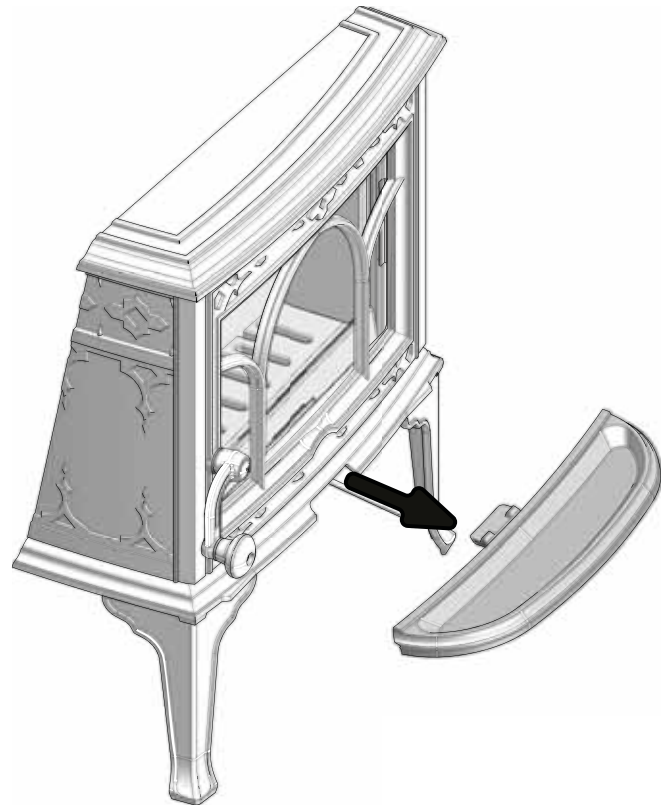
7.1 Onderdelen vervangen in de verbrandingskamer

Afb. 21



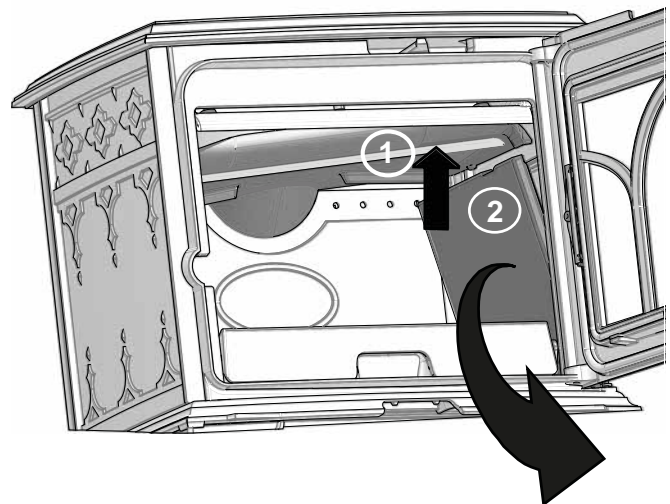
7.2 De keerplaat, de branderplaten en het bodemrooster terugzetten

Afb. 22



1. Verwijder de asrand.

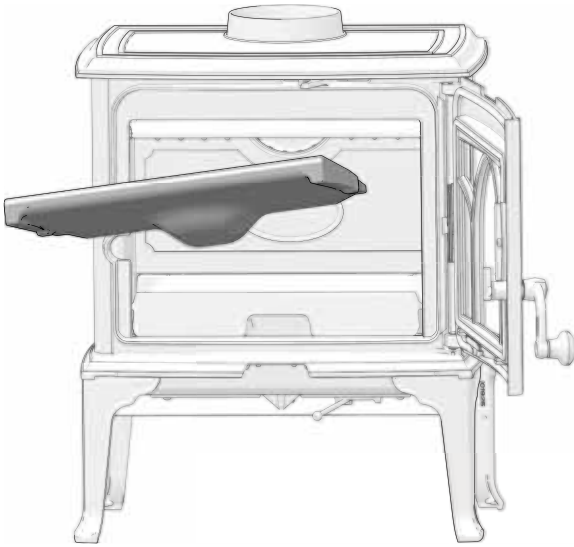
Afb. 23



2. Til de keerplaat, die aan een kant op de branderplaten rust, op. Til, terwijl u de keerplaat vasthoudt, de branderplaat aan dezelfde kant op en verwijder deze uit de verbrandingskamer.

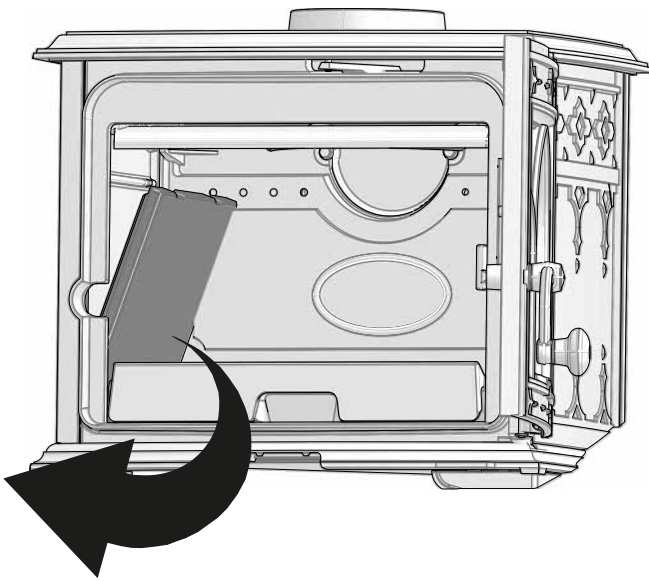
NEDERLANDS

Afb. 24



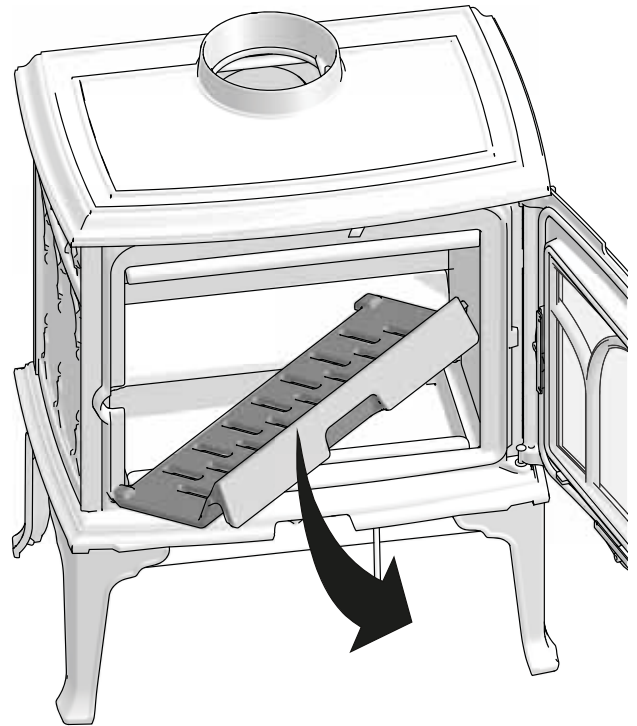
3. Til de keerplaat naar buiten.

Afb. 25



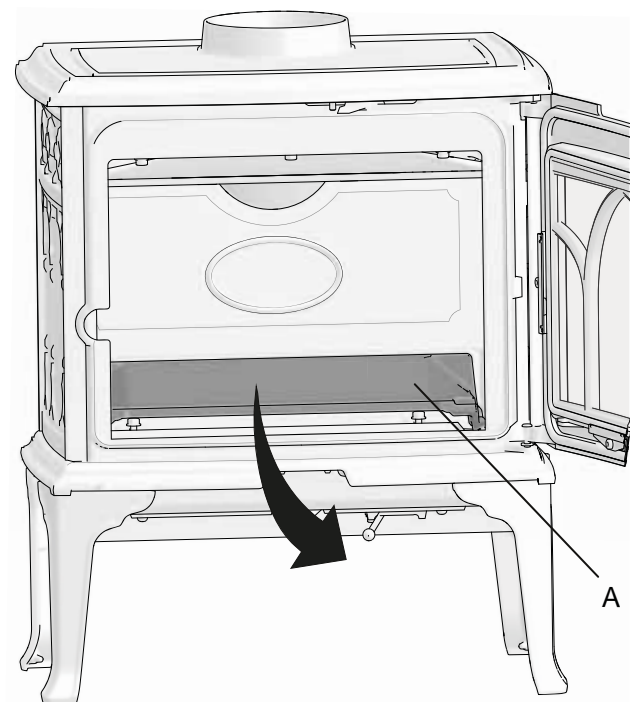
4. Verwijder vervolgens de andere branderplaat.

Afb. 26



• Til het bodemrooster op en kantel het naar buiten.

Afb. 27



• Verwijder de achterste bodemplaat (A).

Bij hernieuwde installatie:

- Plaats eerst de achterste bodemplaat. Plaats de aslade en het bodemrooster.
- Plaats de linker branderplaat. Plaats de keerplaat bovenop en houd deze vast totdat de branderplaat van de andere kant weer op zijn plaats zit .

8.0 Gebruiksproblemen - problemen oplossen

Slechte trek

Controleer de lengte van de schoorsteen en of hij voldoet aan de geldende wetten en voorschriften.

Zorg ervoor dat de minimale afmetingen van de schoorsteen overeenkomen met de beschrijving in «**2.0 Technische gegevens**».

Controleer of de afvoer van gassen niet wordt belemmerd, zoals bijvoorbeeld door takken of bomen, enzovoort.

Als u vermoedt dat de schoorsteen overmatig of onvoldoende trekt, neemt u contact op met een deskundige die maatregelen kan nemen.

Het vuur gaat na enige tijd uit

- Controleer of het brandhout droog genoeg is.
- Controleer of er onderdruk is in de woning, sluit mechanische ventilatiesystemen en open een raam dicht bij de haard.
- Controleer of de ventilatieopening is geopend.
- Controleer of de kachelpijp niet verstopt is met roet.

Als er zich een ongebruikelijke hoeveelheid roet ophoopt op het glas

Er zal zich altijd roet ophopen op het glas, maar de hoeveelheid is afhankelijk van:

- De vochtigheid van de brandstof.
- De luchtstroom ter plaatse.
- De instelling van de ventilatieopening.

De roetlaag wordt gewoonlijk grotendeels weggebrand wanneer de ventilatieopening helemaal open staat en de haard flink brandt.

9.0 Optionele accessoires

9.1 Extra hitteschild, achter

Cat. nr. 50012956

10.0 Recycling

10.1 Recyclen van de verpakking

- Uw kachel wordt in de volgende verpakking geleverd:
- Een houten pallet dat in stukken gesneden en in de kachel verbrand kan worden.
- Een kartonnen verpakking die naar een plaatselijke faciliteit voor recyclen van materialen gebracht moet worden.
- Plastic zakken die naar een plaatselijke faciliteit voor recyclen van materialen gebracht moet worden.

10.2 Recyclen van de kachel

De kachel is gemaakt van:

- Metaal dat naar een plaatselijke faciliteit voor recyclen van materialen gebracht moet worden.
- Glas dat afgedankt moet worden als gevaarlijk afval. Het glas van de kachel mag niet via het normale gescheiden afval worden afgedankt.
- Platen in de verbrandingskamer van vermiculiet die via het normale afval mogen worden afgedankt.

11.0 Garantievoorwaarden

1. Onze garantie dekt:

Jøtul AS garandeert dat de externe gietijzeren onderdelen vrij zijn van materiaal- en fabricagefouten op het moment van aankoop. U kunt de garantie op de externe gietijzeren onderdelen verlengen tot 25 jaar na de leverdatum door het product te registreren op jotul.com en het bewijs van deze verlengde garantie binnen drie maanden na aankoop uit te printen. We adviseren u het garantiebewijs samen met de aankoopbon te bewaren. Jøtul AS garandeert tevens dat de staalplaten onderdelen vrij zijn van materiaal- en fabricagefouten op het moment van aankoop en tot 5 jaar na de leverdatum.

Deze garantie geldt op voorwaarde dat de kachel is geïnstalleerd door een erkende installateur, overeenkomstig de geldende wet- en regelgeving en Jøtul's installatie- en gebruiksinstructies. Gerepareerde producten en vervangende onderdelen vallen onder de garantie gedurende het resterende deel van de oorspronkelijke garantieperiode.

2. De garantie dekt niet:

- 2.1. Schade aan verbruiksonderdelen zoals brandplaten, vuurroosters, keerschotten, ringen en vergelijkbare onderdelen, aangezien deze onderhevig zijn aan normale slijtage.
- 2.2. Schade veroorzaakt door onjuist onderhoud, oververhitting, gebruik van ongeschikte brandstof (waaronder begrepen maar niet beperkt tot drijfhout, geïmpregneerd hout, houtafval, spaanplaat) of te vochtig hout.
- 2.3. Installatie van optionele extra's teneinde de trek, luchttoevoer en andere externe factoren buiten de invloedssfeer van Jøtul te verbeteren.
- 2.4. Aanpassingen of wijzigingen aan de haard zonder toestemming van Jøtul of het gebruik van niet-originele onderdelen.
- 2.5. Schade veroorzaakt tijdens opslag bij een distributeur, transport vanaf een distributeur of tijdens de installatie
- 2.6. Producten verkocht door niet-erkende verkopers in regio's waar Jøtul met een selectief distributiesysteem werkt.
- 2.7. Bijbehorende kosten (waaronder begrepen maar niet beperkt tot transport-, arbeids- en reiskosten) of indirecte schade.

Voor pelletkachels, glas, steen, beton, email en lak (waaronder begrepen maar niet beperkt tot breuken, scheuren, barsten, blaasjes, verkleuring of craquelé) geldt de nationale wetgeving die van toepassing is op de verkoop van consumentengoederen. Deze garantie is geldig voor aankopen gedaan binnen de Europese Economische Ruimte. Alle garantieaanspraken dienen binnen een redelijke termijn te worden gericht aan uw lokale erkende Jøtul-dealer, uiterlijk 14 dagen nadat de fout of het gebrek is geconstateerd. Zie onze website www.jotul.com voor een overzicht van importeurs en dealers.

Wanneer Jotul niet in staat is om zijn verplichtingen na te komen zoals vermeldt in bovenstaande garantie voorwaarden, Jotul zal dan een alternatief product kosteloos aanbieden met gelijke verwarmingscapaciteit.

Jøtul behoudt zich het recht voor af te zien van reparatie of vervanging van onderdelen in het geval dat de garantie niet online is geregistreerd. Deze garantie doet geen afbreuk

aan enig recht krachtens de geldende nationale wetgeving van toepassing op de verkoop van consumentengoederen. Het nationale reclamerecht geldt vanaf de aankoopdatum en uitsluitend onder overlegging van een aankoopbon/serienummer.

Inhalt

1.0	Behördliche Auflagen	75
2.0	Technische Daten	75
3.0	Sicherheit.....	76
4.0	Installation	78
5.0	Tägliche Nutzung	83
6.0	Pflege	84
7.0	Wartung.....	85
8.0	Betriebsstörungen - Fehlersuche.....	87
9.0	Zusatzausstattung	87
10.0	Recycling	87
11.0	Garantie.....	87

Registrieren Sie Ihren Kamin bei jotul.com für eine 25-jährige Garantie.

1.0 Behördliche Auflagen

Die Aufstellung muss gemäß den behördlichen Auflagen und Bestimmungen des jeweiligen Landes erfolgen. Alle lokalen Bestimmungen, einschließlich solche im Bezug auf nationale und europäische Normen, müssen bei der Aufstellung des Produkts eingehalten werden.

Das Gerät darf erst dann in Betrieb genommen werden, wenn es durch eine qualifizierte Person geprüft wurde.

Ein Typenschild aus hitzebeständigem Material befindet sich im Adchenkasten. Es enthält Informationen über Kennzeichnung und Dokumentation des Produkts.

2.0 Technische Daten

Material: Gusseisen
 Anstrich: Schwarzer Lack
 Heizmaterial: Holz
 Max. Holzscheitlänge: 35 cm
 Abzugsöffnung: Oben, hinten
 Durchmesser des Abzugsrohres: Ø125 mm

Gewicht
 - Jøtul F 100 ECO.2 LL: ca 89 kg
 - Jøtul F 100 ECO.2 SL: ca 88 kg

Zusatzausstattung: Hitzeschutzplatte, Selbstschließend Türmechanismus


Abmessungen, Abstände: Siehe **Abb. 1**.

Technische Daten gemäß EN 13240 / NS 3058

Nennheizleistung: 4,9 kW
 Rauchgasvolumen: 4,1 g/s
 Schornsteinzug, EN 13240: 12 Pa
 Empfohlener Unterdruck in Rauchabzug: 16-18 Pa
 Wirkungsgrad: 80%
 CO-Emissionen (13% O₂): 0.10%
 CO-Emissionen (13% O₂): 1213 mg / Nm³
 NOx (bei 13% O₂): 86 mg / Nm³
 OGC (bei 13% O₂): 98 mg/Nm³
 Schornsteintemperatur, EN 13240: 271 °C
 Staub: 25 mg/Nm³@13%O₂
 Partikelemission NS 3059: 3,7 g / kg

Brennstofftyp: Holz
 Empfohlene Scheitlänge: 25-33 cm
 Max. Scheitlänge: 35 cm
 Brennstoffverbrauch: 1,56 kg/h
 Max. Anmachholzmenge: 2,1 kg
 Nom. Anmachholzmenge: 1.23 kg
 Betrieb: *Periodisch

*Periodische Verbrennung ist in diesem Zusammenhang die normale Verwendung des Kamins, d. h. dass Brennstoff nachgelegt wird, sobald der Brennstoff auf eine geeignete Menge glimmender Asche heruntergebrannt ist.

Product: Jøtul Room heater fired by solid fuel			
			
Standard	:		
Minimum distance to adjacent combustible materials	:		
Emission of CO in combustion products	:		
Flue gas temperature	:		
Nominal heat output	:		
Efficiency	:		
Operation range	:		
Fuel type	:		
Operational type	:		
The appliance can be used in a shared flue.			
Country	Classification	Certificate standard	Approved by
Norway	Klasse II		
Sweden	002	SP	SP Sveriges Provings- och Forskningsinstitut AB
EU	Intermittent	EN	SP Swedish National Testing and Research Institute
Follow user's instructions. Use only recommended fuels. Montage- und Bedienungsanleitung beachten. Verwenden Sie nur empfohlenen Brennstoffen. Respecter les consignes d'utilisation. Utilisez uniquement les combustibles recommandés.			
Lot no.: Y-xxxx, Year: 200x			
Manufacturer:	221546		
Jøtul AS			
POB 1441			
N-1602 Fredrikstad			
Norway			

Auf allen Produkten ist ein Schild mit der Seriennummer und dem Baujahr angebracht. Schreiben Sie diese Nummer an die in den Aufstellungsanweisungen angegebene Stelle. Nennen Sie immer diese Seriennummer, wenn Sie sich an den Händler oder an Jøtul wenden.

Lot no. Pin.

DEUTSCHLAND

3.0 Sicherheit

Hinweis: Um maximale Leistung und Sicherheit zu gewährleisten, müssen Jøtul-Kaminöfen von ausgebildetem Fachpersonal installiert werden.

Jegliche Veränderungen am Produkt, die durch einen Händler, Installateur oder Kunden vorgenommen werden, können dazu führen, dass das Produkt oder seine Sicherheitsfunktionen nicht wie vorgesehen arbeiten. Dasselbe gilt für die Installation von Zubehör oder Zusatzausstattung, die nicht von Jøtul geliefert wird. Dies kann ebenfalls gelten, wenn wichtige Komponenten für Funktionsweise und Sicherheit demontiert oder entfernt wurden.

In allen genannten Fällen haftet der Hersteller nicht für das Produkt und sämtliche Garantieransprüche erlöschen.

3.1 Brandschutzmaßnahmen

Jede Nutzung des Kamins stellt eine potenzielle Gefahrensituation dar. Daher müssen die folgenden Vorgaben befolgt werden:

- Die minimalen Sicherheitsabstände für die Kaminnutzung werden auf **Abb. 1** angegeben.
- Stellen Sie sicher, dass sich Möbel und andere brennbare Materialien nicht zu dicht am Kamin befinden. Brennbare Materialien müssen mindestens **1000 mm** vom Kamin entfernt sein.
- Lassen Sie das Feuer vollständig herunterbrennen. Löschen Sie niemals Flammen mit Wasser.
- Ein entzündeter Kaminofen ist heiß und kann bei Berührung Verletzungen hervorrufen.
- Entfernen Sie nur dann Asche, wenn der Kamin abgekühlt ist. Asche kann heiße Glut enthalten und sollte daher in einen nicht brennbaren Behälter gefüllt werden.
- Asche ist im Außenbereich aufzubewahren oder an einem Ort zu entleeren, an dem keine potenzielle Feuergefahr besteht.

Im Falle eines Feuers im Schornstein

- Schließen Sie alle Be- und Entlüftungsöffnungen.
- Halten Sie die Brennkammertür geschlossen.
- Rufen Sie die Feuerwehr.
- Vor dem erneuten Betrieb nach einem Feuer muss der Schornsteinfeger Kamin und Schornstein überprüfen, um deren vollständige Funktionstüchtigkeit sicherzustellen.

3.2 Boden

Fundamente

Es muss sichergestellt sein, dass das Fundament in geeigneter Weise für den Kamin dimensioniert ist. Unter «**2.0 Technische Daten**» finden Sie Angaben zum Gewicht. Es empfiehlt sich, dass Bodenbelag, der nicht fest mit dem Fundament verbunden ist – so genannt schwimmend verlegter Belag – beim Aufstellen entfernt wird.

Erforderliche Schutzmaßnahmen für Holzfußböden unter dem Ofen

Das Produkt kann direkt auf einem Holzfußboden aufgestellt werden, der durch eine Fußbodenplatte aus nicht brennbarem Material (empfohlene Dicke - mindestens 0,9 mm) geschützt wird.

Es empfiehlt sich, dass brennbare Bodenbeläge – z. B. Linoleum, Teppiche usw. – unter der Brandschutzplatte entfernt werden.

Jøtul F 100 ECO.2 (mit kurzen Beinen)

Kann nur auf Böden installiert werden, deren Oberfläche und Konstruktion aus nicht brennbaren Materialien besteht. Der nicht brennbare Bereich muss um mindestens 350 mm über den Kaminofen hinausragen.

Warnung! In diesem Bereich wird es vor Installation von Fußbodenheizung (Heizungsanlage mit Wasserradiatoren oder elektronische) gewarnt.

Erforderliche Schutzmaßnahmen für brennbare Böden vor dem Ofen

Die Frontplatte muss den nationalen Gesetzen und Bestimmungen entsprechen.

Bei der örtlichen Baubehörde erhalten Sie Informationen zu Einschränkungen und Auflagen bei der Aufstellung.

3.3 Wände

- Das Produkt muss so platziert werden, dass es möglich ist, den Ofen, das Rauchrohr und den Schornstein zu reinigen.
- Sorgen Sie dafür, dass Möbel und andere brennbare Materialien sich nicht zu dicht an der Feuerstelle befinden (wegen der Feuergefahr und wegen Gefahr von Austrocknung).

Abstand zu einer Wand aus brennbaren Materialien siehe **abb. 1**.

Der Kaminofen muss mit einem CE-geprüften Rauchgasrohr installiert werden.

Der Abstand zwischen den Rauchgasrohren und den brennbaren Materialien muss ebenfalls berücksichtigt werden.

Brennbare Wand mit Brandschutzwand

Abstand zu brennbarer Wand mit Brandschutzwand – siehe **Abb. 1**

Der Kamin ist zugelassen für die Benutzung mit einem nicht isolierten Abzugsrohr unter Einhaltung der in **Abb. 1** aufgeführten Abstände zu Wänden aus brennbarem Material. Abstände mit halb-isoliertem oder abgeschirmtem Rauchrohr gehen aus **Abb. 1** hervor.

Anforderungen an die Feuerschutzwand

Die Feuerschutzwand muss mindestens **100 mm** dick sein und aus Ziegelstein, Beton oder Leichtbeton bestehen. Auch andere Werkstoffe und Konstruktionen mit hinreichender Produktdokumentation sind zulässig.

Nicht brennbare Wand (durchgehend)

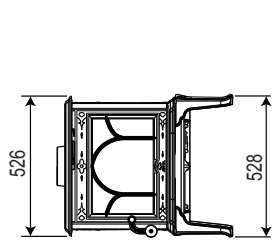
Die Feuerstelle kann mit einem Abstand von min. **100 mm** an einer nicht-brennbaren Wand installiert werden, unter Voraussetzung dass der Abstand vom Ofen zu jedem brennbaren Material min. **300 mm** beträgt.

Mit nicht-brennbaren Materialien verstehen sich Materialien, die nicht brennen können, z.B. Ziegel, Klinker, Beton, Mineralwolle, Silikatplatten u.ä. Seien Sie darauf aufmerksam, dass der kurze Abstand zur nicht-brennbaren Wand zu einer Austrocknung, Verfärbung und Rissbildung an der Wand führen kann.

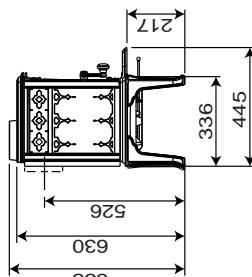
3.4 Decke

Über dem Ofen muss ein Abstand von mindestens **700 mm** zu einer brennbaren Decke vorhanden sein.

Jøtul F 100 ECO.2

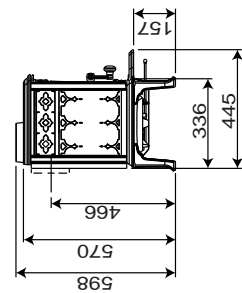


Jøtul F 100 ECO.2 LL (Langes Bein)
Jøtul F 100 ECO.2 LL SE (Langes Bein und Special Edition)



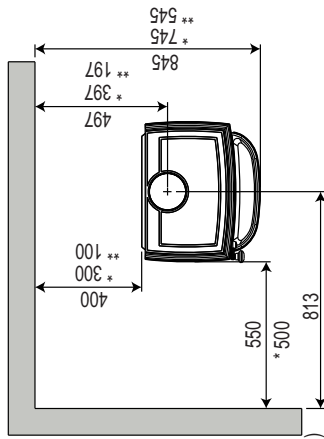
Jøtul F 100 ECO.2 SL (Kurzes Bein) und
Jøtul F 100 ECO.2 SL SE (Kurzes Bein und Special Edition)
Die Kurzbeinversion (Jøtul F 100 ECO.2 SL)

Nur für nicht brennbare Böden

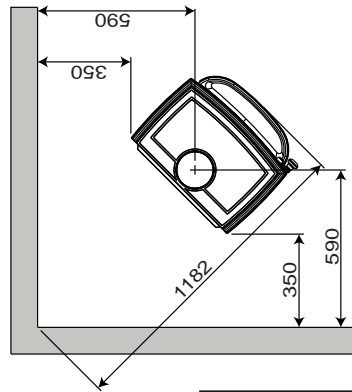


- Brennbar
- Brandmauer

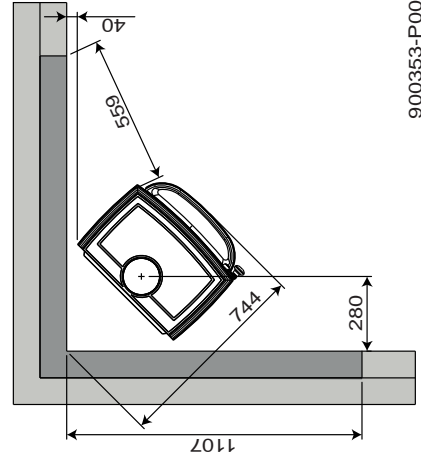
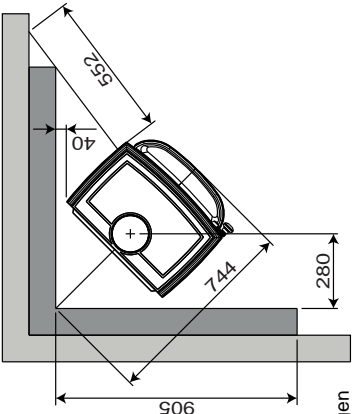
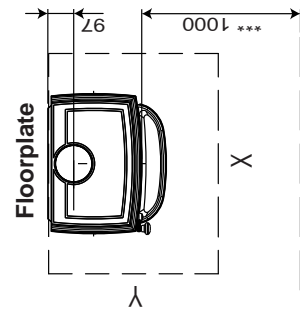
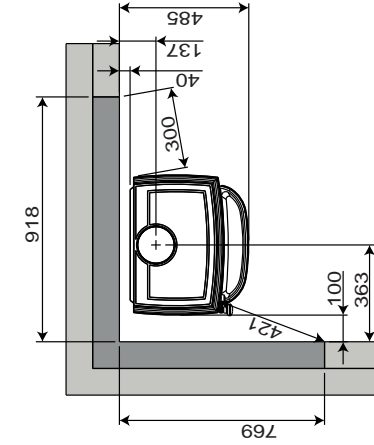
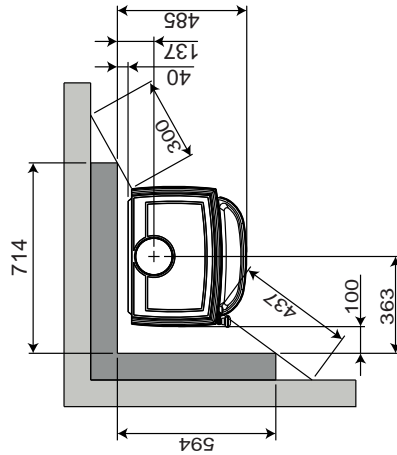
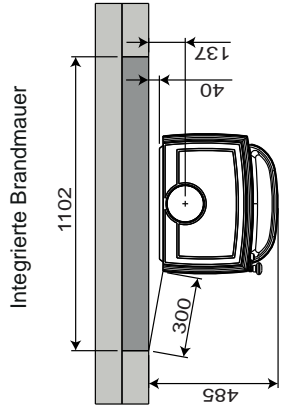
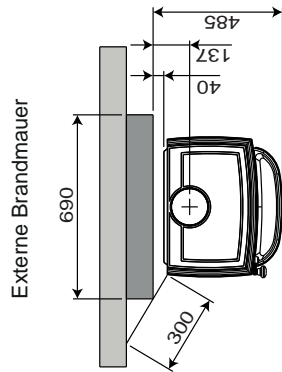
Min. abstand zu Brennbarer wand



* Mit halbisoliertes Rauchrohr
** Mit halbisoliertes Rauchrohr und zusätzlicher Hitzeschutzplatte.



Min. abstand zu brennbarer Wand mit Brandschutzwand



Min. Abmessungen der Fußbodenplatte
X/Y = Gemäß den Geltenden nationalen Gesetzen und Regelungen
*** Min. Abstand zu Möbeln/brennbare Material

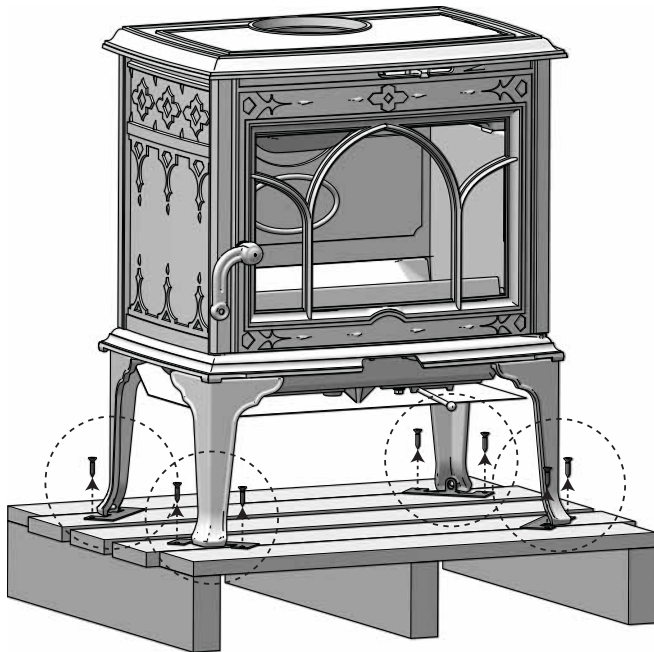
4.0 Installation

- Überprüfen Sie den Kamin vor der Montage sorgfältig auf Schäden.
- Das Produkt ist schwer! Lassen Sie sich beim Ausrichten und Einbauen helfen.
- **Stellen Sie sicher, dass die Belüftung in dem Raum, in dem der Kamin aufgestellt wird, nicht blockiert ist.**

4.1 Vor der Installation

- Das Standardprodukt wird in einer Verpackung angeliefert
- Entnehmen Sie beim Auspacken Aschenleiste und Rauchabzug sowie den Beutel mit Schrauben.

Abb.3



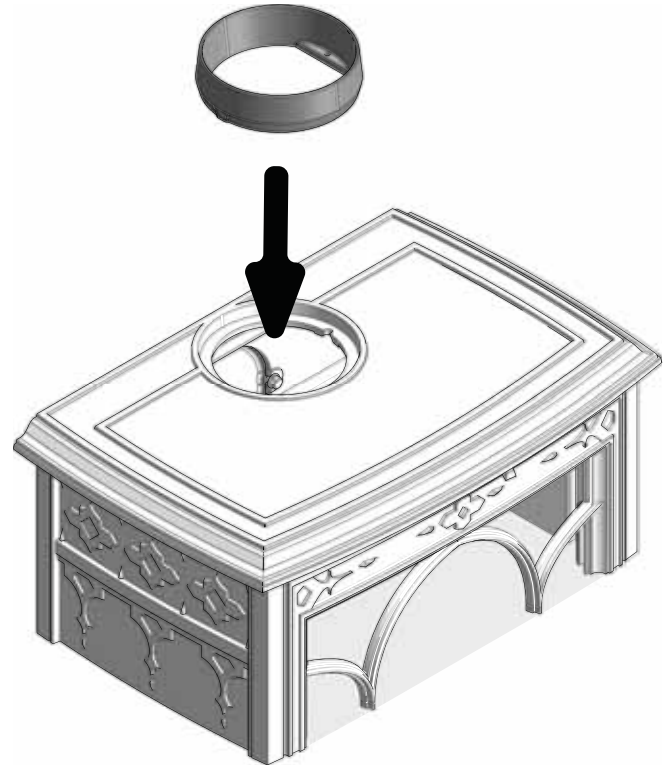
1. Bauen Sie die Transportschrauben aus.

4.2 Installation

Montage des Rauchgasrohres am oberen Ausgang

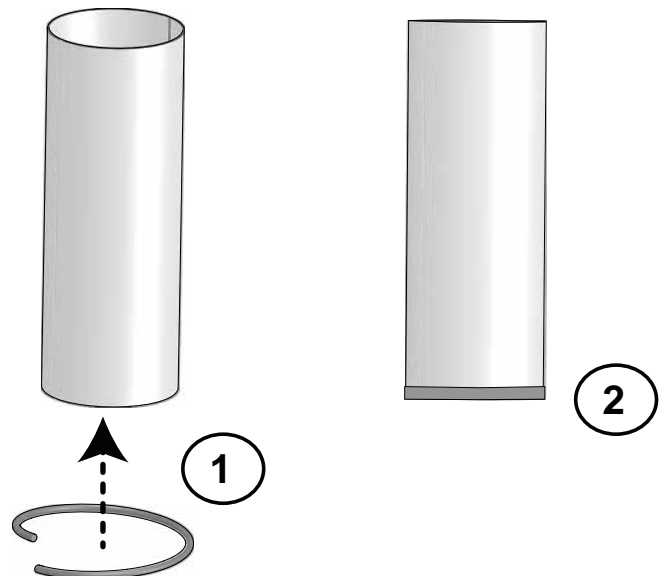
Standardmäßig ist der obere Ausgang vorgesehen.

Abb.4



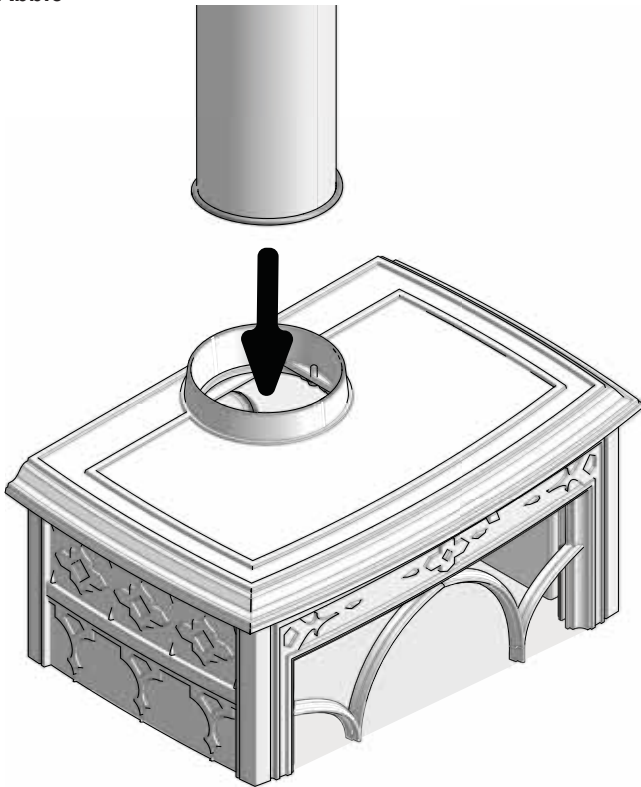
1. Montieren Sie den Rauchgasabzug mithilfe der beiden Schrauben an der oberen Platte.

Abb.5



2. Entfernen Sie das Schutzpapier von der Dichtscheibe, und befestigen Sie diese an der Außenseite des Rauchgasrohres.

Abb.6



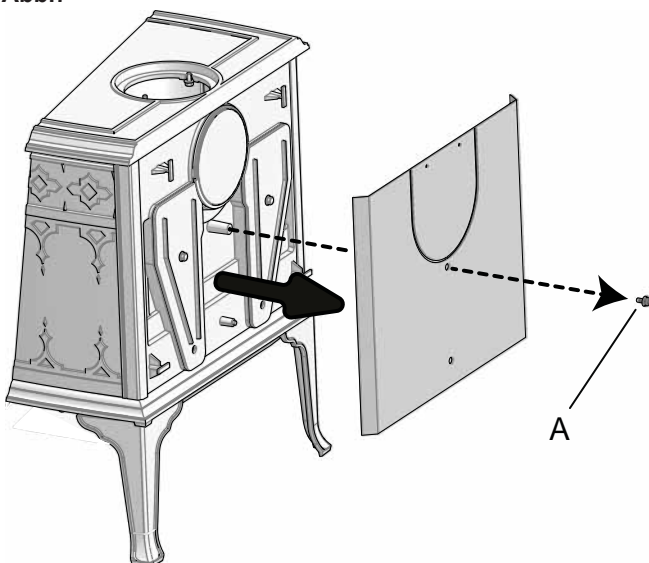
3. Setzen Sie das Rauchgasrohr in den Rauchgasabzug ein.

Montage des Rauchgasrohres am hinteren Ausgang

Für eine Montage des Rauchgasrohres an der Rückseite gehen Sie wie folgt vor:

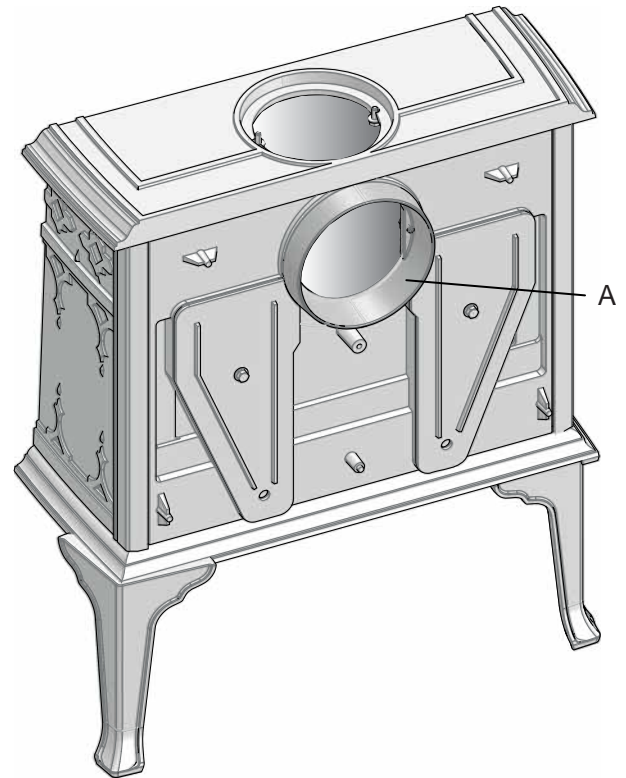
NB! Um die Änderung vornehmen, müssen Sie zuerst die Prallplatte entfernen - siehe Abb. 23 - 24. Denken Sie daran, sie später auszutauschen.

Abb.7



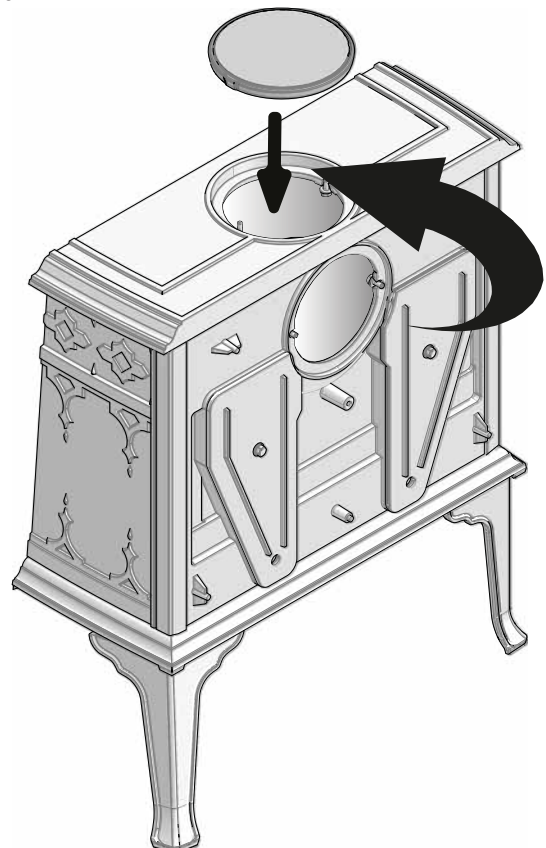
1. Lösen Sie Schraube (A), und bauen Sie den hinteren Hitzeschild aus.

Abb.8



2. Bauen Sie den Rauchgasabzug (A) in den hinteren Auslass ein.

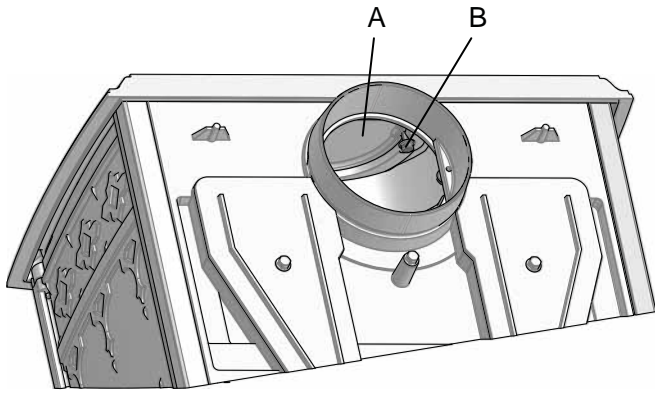
Abb.9



• Bringen Sie die Abdeckung auf der oberen Platte an.

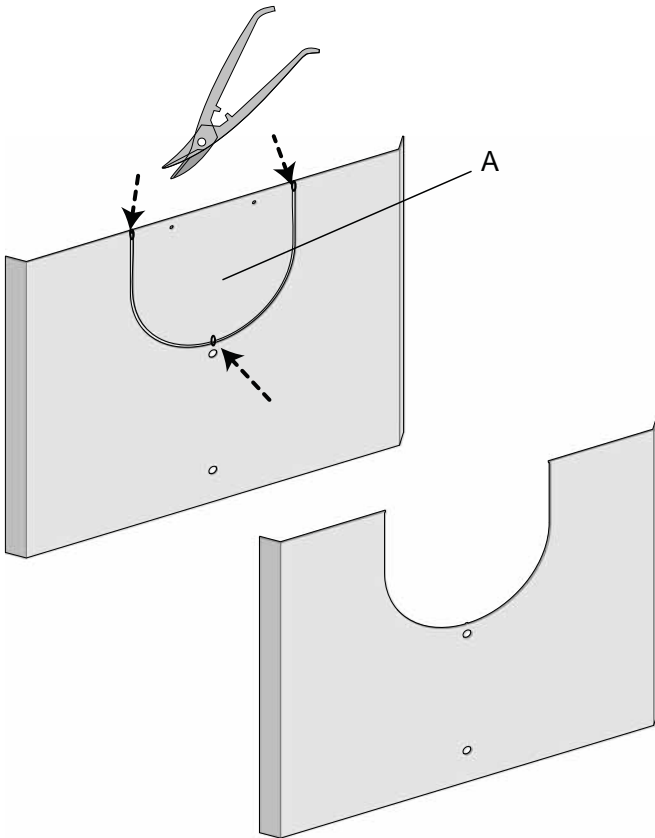
DEUTSCHLAND

Abb.10



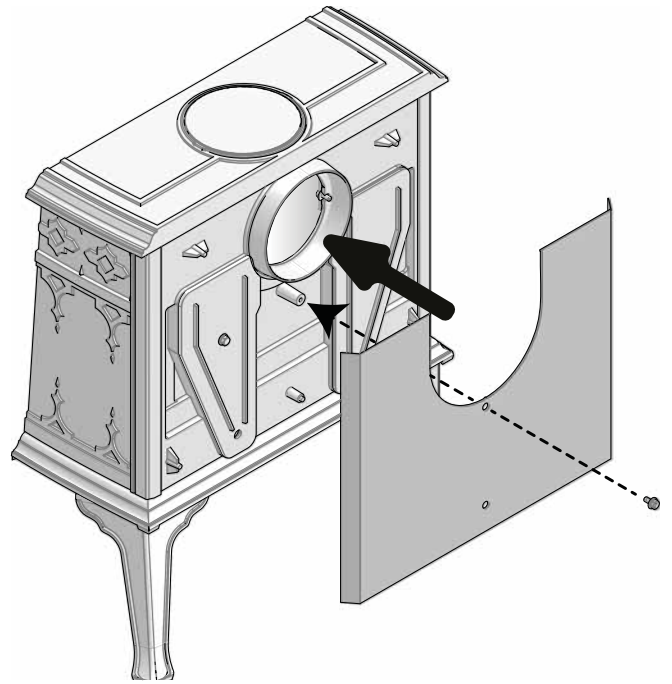
3. Befestigen Sie die Abdeckung (A) mithilfe der Schrauben (B).

Abb.11



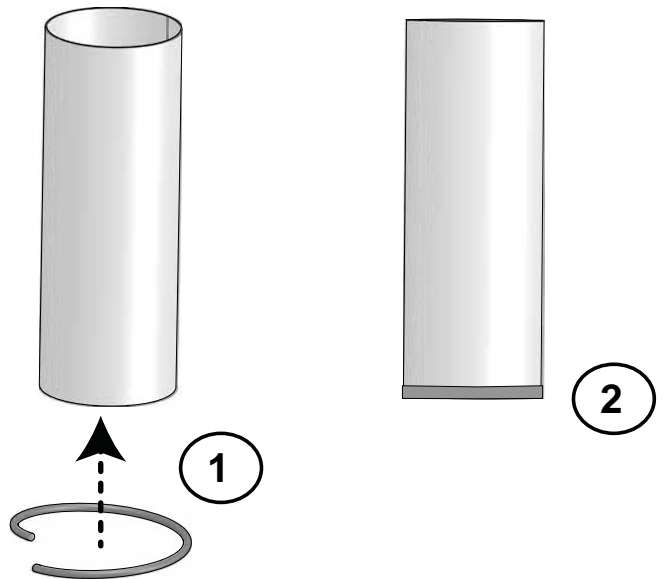
4. Schneiden Sie für das Rauchgasrohr Teil (A) im Hitzeschild aus.

Abb.12



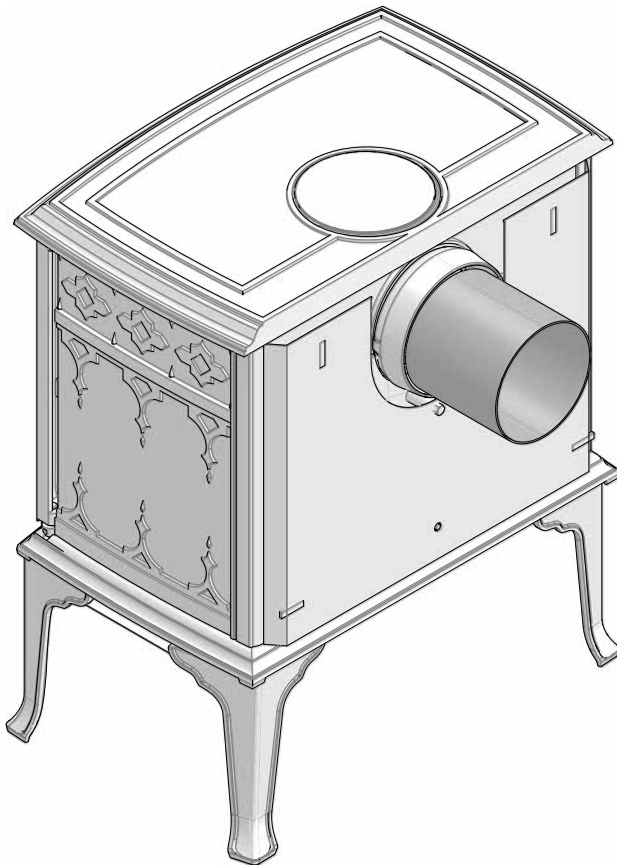
5. Bringen Sie den hinteren Hitzeschild am Kamin an.

Abb.13



6. Entfernen Sie das Schutzpapier von der Dichtscheibe, und befestigen Sie diese an der Außenseite des Rauchgasrohres.

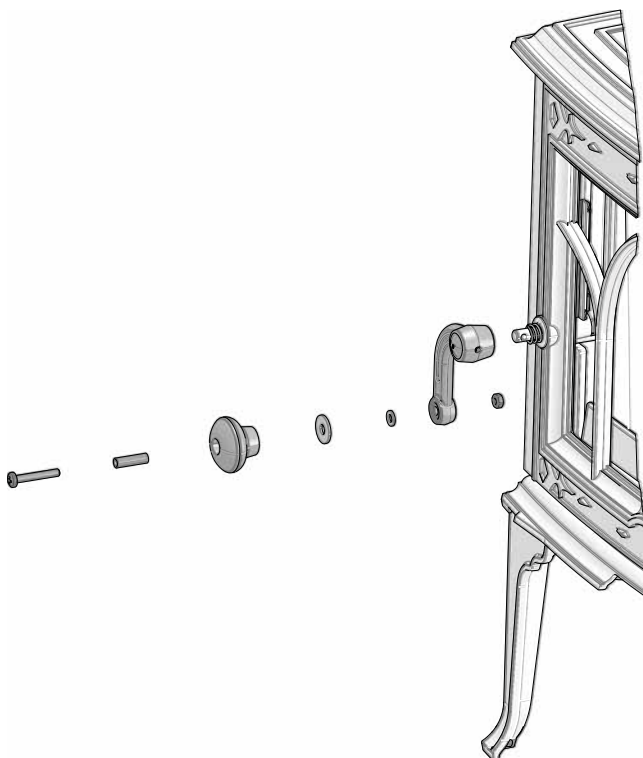
Abb.14



- Setzen Sie das Rauchgasrohr in den Rauchgasabzug ein.

Anbringen des Türknaufes

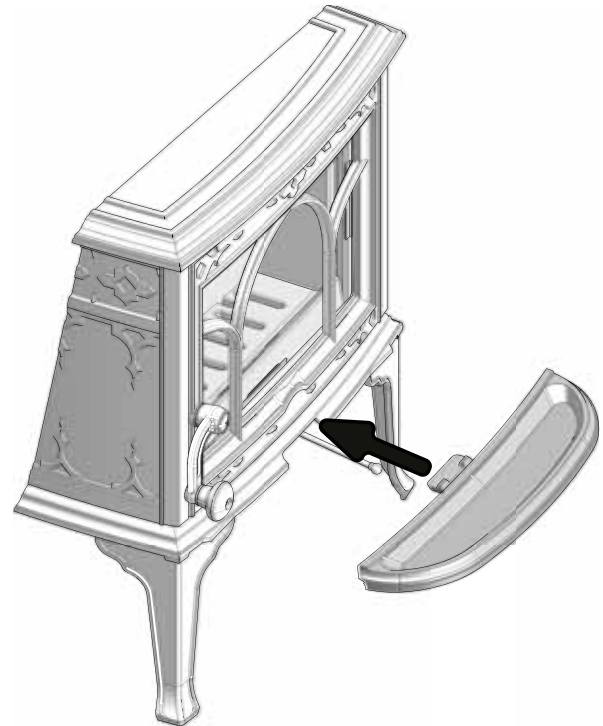
Abb.15



- Schrauben Sie den Türknauf am Griff fest.

Einbau der Aschenleiste

Abb.16



- Bringen Sie die Aschenleiste an, indem Sie sie unter der Tür einhängen.

4.3 Schornstein und Rauchgasrohr

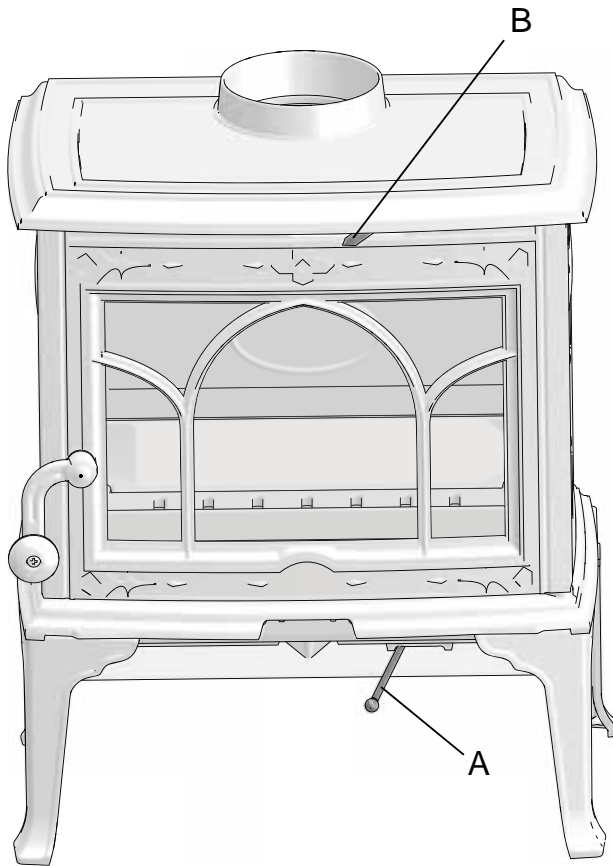
- Der Kamin darf nur mit einem Schornstein und einem Rauchgasrohr verbunden werden, die für Festbrennstoffkamine mit Rauchgastemperaturen gemäß Abschnitt 2.0 Technische Daten zugelassen sind.
- Der Schornsteinquerschnitt muss für den Kamin dimensioniert sein. Mithilfe des Abschnitts 2.0 Technische Daten berechnen Sie den korrekten Schornsteinquerschnitt.
- Der Schornstein muss gemäß den Installationsanweisungen des Schornsteinlieferanten befestigt werden.
- Geeignet für Mehrfachbelegung. Bei Mehrfachbelegung muss der Schornstein – abhängig von den bauseitigen Verhältnissen - laut EN 13384-2 genehmigt sein.
- Bevor ein Loch im Schornstein angebracht wird, sollte das Produkt testweise montiert werden, damit eine korrekte Kennzeichnung des Kamins und des Schornsteinlochs erfolgen kann. Die minimalen Abstände gehen aus Abb. 1 hervor.
- Stellen Sie sicher, dass der Bereich am Abzug an der Rückseite und an der Oberseite gekehrt werden kann. Nutzen Sie bei Bedarf ein Rauchgasrohr mit Reinigungsklappe.
- Der empfohlene Schornsteinzug geht aus dem Abschnitt 2.0 Technische Daten hervor. Die Rauchrohrabmessungen mit dem entsprechenden Querschnitt gehen aus Abschnitt 2.0 Technische Daten hervor.

DEUTSCHLAND

4.4 Leistungsprüfung

Kontrollieren Sie nach der Produktmontage stets die Bedienungsriffe. Diese sollten sich einfach bewegen lassen und einwandfrei arbeiten.

Abb. 17 Jøtul F 100 ECO.2 ist mit folgenden Bedienungsoptionen ausgestattet:



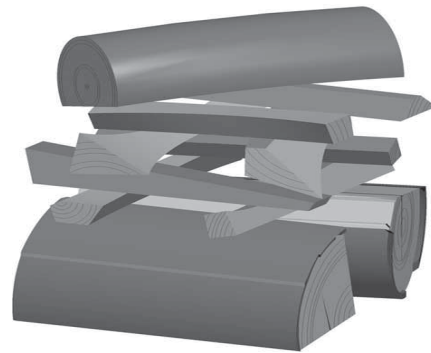
Entfachungsbelüftung (A) – Luftzufuhr (B)

Nach links geschoben: Geschlossen
Nach rechts geschoben: Geöffnet

4.5 Erstes Anmachen

- Öffnen Sie die Luftzufuhr / die Entfachungsbelüftung. Lassen Sie die Tür leicht geöffnet, falls erforderlich. (Verwenden Sie z.B. einen Handschuh, denn der Handgriff kann heiß werden).
- Legen Sie zwei mittelgroße Holzscheite auf jede Seite der Feuerstelle. Hinweis: Um eine Verrußung des Glases zu verhindern, ist darauf zu achten, dass der Scheit nicht direkt vor dem Glas liegt.
- Schieben Sie etwas Birkenrinde zwischen die Koffer. Nehmen Sie sich einen Moment Zeit und zünden Sie die Birkenrinde an.
- Erhöhen Sie das Feuer allmählich
- Stellen Sie die gewünschte Heizleistung durch Einstellen der Verbrennungsrate durch Einstellen der Luftzufuhr ein.
- Backofentür schließen. Wenn das Feuer angezündet ist, müssen die Aschenbecher immer geschlossen sein.

Abb. 18



Brennholz nachlegen

Legen Sie häufig geringe Mengen von Brennstoff im Kaminofen nach. Wenn sich zu viel Brennstoff im Kaminofen befindet, kann die entstehende Hitze eine extreme Belastung für den Schornstein darstellen. Legen Sie daher nicht zu viel Brennstoff nach. Schwelende Feuer sollten vermieden werden, da diese die höchsten Emissionen verursachen. Das perfekte Feuer brennt intensiv, wobei der Rauch aus dem Schornstein nahezu unsichtbar ist.

Überhitzungsgefahr

Der Kamin darf bei seiner Benutzung niemals überhitzt werden.

Zu einer Überhitzung kommt es durch zu viel Brennstoff und bzw. oder Luft, was zu einer übermäßigen Wärmeentwicklung führt. Eine Überhitzung ist daran erkennbar, dass Teile des Kamins rot glühen. Wenn dies der Fall ist, muss die Öffnung der Luftzufuhr sofort verringert werden.

Wenn Sie vermuten, dass der Kamin nicht korrekt zieht (zu viel oder zu wenig), lassen Sie sich von Fachpersonal beraten. Weitere Informationen entnehmen Sie Abschnitt **4.0 Installation (Schornstein und Rauchgasrohr)**.

Kondensation

Kondensation vom Ofen, Rauchrohr oder Schornstein kann vorkommen. Dies hängt normalerweise mit feuchtem Holz oder Temperaturunterschieden zwischen Ofen und den Umgebungen zusammen.

Kondenswasser vom Ofen ist eine schwarze, teerartige Flüssigkeit. Dies sollte sofort weggewischt werden, um eine Verfärbung des Ofens, des Fußbodens und anderer Gegenteile in der Umgebung zu vermeiden.

Ein schnelles Anzünden und eine Heizung mit gutem Flammenbild reduzieren die Gefahr für Kondensation.

Bleibt die Kondensation bestehen, kann man Mineralsand im Boden des Ofens verwenden.

Entfernung der Asche

- Entfernen Sie nur dann Asche, wenn der Kamin abgekühlt ist.
- Verwenden Sie eine Schaufel, um die Asche zu entfernen. Lassen Sie stets ein wenig Asche als schützende Isolierschicht am Boden der Brennkammer übrig.
- Asche sollte außen in einem Metallbehälter aufbewahrt werden.

5.0 Tägliche Nutzung

Geruch beim erstmaligen Benutzen des Kamins

Wenn der Kamin zum ersten Mal genutzt wird, kann ein Gas mit einem leicht störenden Geruch austreten. Dies liegt daran, dass der Anstrich trocknet. Dieses Gas ist ungiftig. Dennoch sollte Raum gründlich gelüftet werden. Lassen Sie das Feuer mit starkem Zug brennen, bis sich das Gas komplett verflüchtigt hat und weder Rauch noch Geruch wahrgenommen werden können.

Tipp fürs Heizen

Hinweis: Holz, das im Außenbereich oder in einer kalten Umgebung gelagert wurden, sollten 24 h vor der Verwendung nach innen gebracht werden, damit sie Raumtemperatur annehmen können.

Es bestehen mehrere Möglichkeiten, den Kaminofen zu beheizen. Achten Sie jedoch stets darauf, womit Sie den Ofen befeuern. Siehe Abschnitt "Holzqualität".

Holzqualität

Als Qualitätsholz bezeichnen wir die meisten bekannten Holzarten wie Birke, Fichte und Kiefer.

Das Holz sollten getrocknet werden, damit der Feuchtigkeitsgehalt nicht über 20% liegt.

Dazu müssen das Holz im Spätwinter gesägt werden. Zerhacken und stapeln Sie das Holz so, dass eine gute Ventilation vorliegt. Holzstapel sind mit einer Abdeckung vor Regen zu schützen. Bringen Sie die Scheite im Frühherbst in den Innenbereich und stapeln bzw. lagern Sie sie dort für den Winter.

Folgende Materialien dürfen unter keinen Umständen als Kaminbrennstoff verwendet werden:

- Hausmüll, Kunststofftüten usw.
- Angestrichenes oder imprägniertes Holz (extrem giftig).
- Schichtholzplanken.
- Treibholz

Diese Materialien beschädigen das Produkt und sind außerdem umweltschädlich.

Hinweis: Verwenden Sie nie Benzin, Paraffin, Brennspritus oder ähnliche Substanzen, um das Feuer zu entzünden. Andernfalls besteht die Gefahr für schwere Verletzungen oder Beschädigungen des Produkts.

Holzverbrauch

Jøtul F 100 ECO.2 hat eine Nennheizleistung von ca. 4,9 kW. Verwendung von Holz bei Nennheizleistung: Ca. 1,6 kg/h. Empfohlene Scheitgröße:

Anzündholz:

Länge: 25-33 cm

Durchmesser: 2 - 5 cm

Menge pro Feuer: 6 - 8 Stück

Firewood (split logs):

Länge: Ca 25 - 33 cm

Durchmesser: Ca 8 cm

Nachlegen von Holz: Ca. alle 45 Minuten

Größe des Feuers: 1,23 kg (nominelle Leistung)

Menge pro Füllung: 2 Scheite

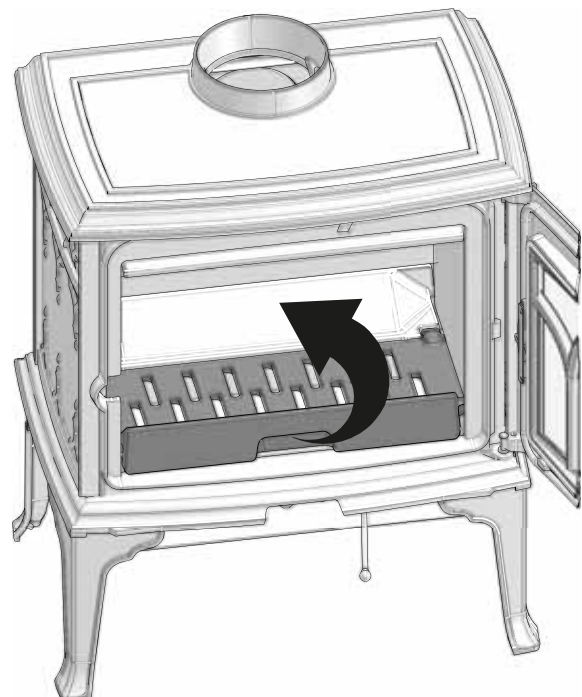
Die Ermittlung der angegebenen Testergebnisse erfolgte durch das Beladen mit 2 Scheiten à 25 cm (Gesamtgewicht 1,23 kg). Die Scheite wurden übereinandergelegt. Ventilator für ungefähr 50 % Luft.

Aschenentnahme

Der Aschenkasten des Jøtul F 100 ECO.2 macht es einfach, die Asche zu entfernen.

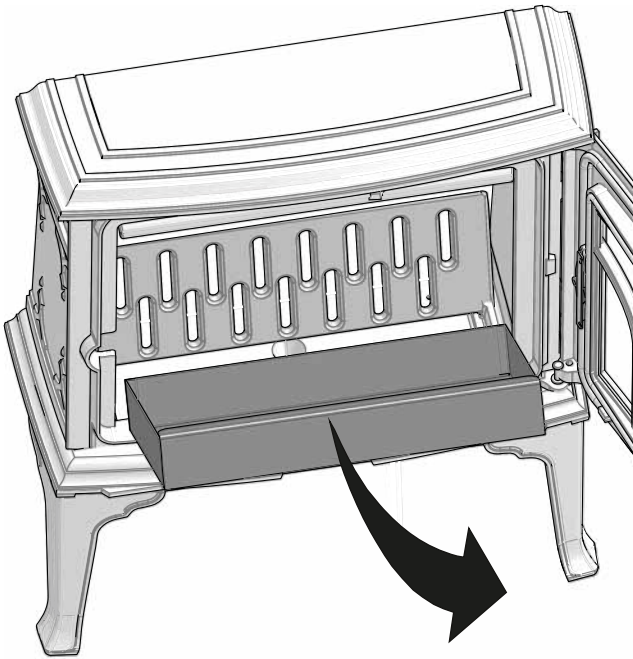
- Entfernen Sie die Asche ausschließlich bei kaltem Kamin.

Abb.19



1. Kratzen Sie die Asche durch den Rost in den Aschenkasten.
2. Achten Sie darauf, den Aschenkasten nicht so stark zu füllen, dass keine Asche mehr durch den Rost in den Kasten fallen kann.
3. Öffnen Sie den Feuerrost.

Abb.20



4. Heben Sie den Aschenkasten heraus, und entleeren Sie ihn in einen nicht brennbaren Behälter.
5. Setzen Sie den Aschenkasten wieder ein.
6. Setzen Sie den Feuerrost wieder ein.

5.1 Einfluss von Wind und Wetter auf den Kaminofen

Die Leistung des Kaminofens kann maßgeblich beeinträchtigt werden, wenn verschiedene Windstärken auf den Schornstein einwirken. Eine Einstellung der Luftzufuhr kann daher notwendig sein, um eine gute Verbrennungsleistung sicherzustellen. Es kann ebenfalls empfehlenswert sein, eine Klappe im Rauchgasrohr zu installieren, um den Schornsteinzug je nach Windstärke zu regeln.

Nebel kann einen erheblichen Einfluss auf den Schornsteinzug besitzen. Es kann erforderlich sein, andere Verbrennungslufteinstellungen zu nutzen, um eine gute Leistung zu gewährleisten.

5.2 Funktion des Schornsteins

Der Schornstein ist der Motor des Kaminofens. Seine Leistung bestimmt, wie gut Ihr Kaminofen funktioniert. Der Schornsteinzug erzeugt einen Unterdruck im Kaminofen. Dieser Unterdruck entfernt den Rauch aus dem Ofen und saugt durch den Verbrennungsluftschieber Luft für den Verbrennungsprozess an. Die Verbrennungsluft wird ebenfalls für die Scheibenspülung verwendet, die die Scheibe frei von Ruß hält.

Der Schornsteinzug wird durch den Temperaturunterschied innen im Schornstein und außerhalb des Schornsteins gebildet. Je höher dieser Temperaturunterschied ist, desto besser ist der Schornsteinzug. Daher ist es wichtig, dass der Schornstein seine Betriebstemperatur erreicht, bevor man die

Schiebereinstellung nach unten justiert, um die Verbrennung im Ofen zu begrenzen (ein gemauerter Schornstein benötigt längere Zeit zum Erreichen der Betriebstemperatur als ein Stahlschornstein). An Tagen, an denen der Zug im Schornstein aufgrund der Wind- und Wetterverhältnisse schlecht ist, ist es besonders wichtig, die Betriebstemperatur schnellstmöglich zu erreichen. Es müssen schnell Flammen entfacht werden. Hacken Sie das Holz besonders klein, benutzen Sie zusätzliche Anzündblöcke usw.

→ Nach einer längeren Stillstandsperiode ist es wichtig, das Schornsteinrohr auf Blockierungen zu untersuchen

→ Es können mehrere Geräte an den selben Schornstein angeschlossen werden. Die geltenden Regeln hierfür müssen beim Schornsteinfeger erfragt werden.

6.0 Pflege

6.1 Reinigung des Sichtfensters

Das Produkt ist mit einer Luftreinigung für das Sichtfenster ausgestattet. Durch die Luftzufuhröffnung wird Luft oben im Produkt angesaugt und an der Innenseite des Sichtfensters entlang nach unten geführt.

Dennoch verbleibt je nach den örtlichen Luftzugverhältnissen und der Einstellung der Luftzufuhr immer noch etwas Ruß am Sichtfenster. Normalerweise verbrennt der Großteil der Rußschicht bei vollständig geöffneter Luftzufuhr, und das Feuer brennt mit starker Flamme.

Nützlicher Hinweis! Verwenden Sie zur einfachen Reinigung des Sichtfensters ein mit warmem Wasser angefeuchtetes Papiertuch, und fügen Sie etwas Asche aus der Brennkammer hinzu. Reiben Sie mit dem Papiertuch über das Sichtfenster, und waschen Sie es anschließend mit klarem Wasser. Gut abtrocknen. Falls das Sichtfenster sorgfältiger gereinigt werden muss, wird ein Glasreiniger empfohlen (*beachten Sie die Gebrauchsanweisung auf der Flasche*).

6.2 Reinigung und Rußentfernung

An den Innenflächen des Kamins können sich während der Nutzung Rußablagerungen ansammeln. Ruß ist ein wirksamer Isolator und reduziert dadurch die Heizleistung des Kamins. Wenn sich bei der Nutzung des Produkts Rußablagerungen ansammeln, lassen sich diese einfach per Rußentferner beseitigen.

Damit sich im Kamin keine Schicht aus Wasser und Teer bildet, sollten sie regelmäßig hohe Feuertemperaturen zulassen. So wird die Schicht entfernt. Eine jährliche Innereinigung ist erforderlich, um die maximale Heizleistung des Produkts zu erzielen. Es empfiehlt sich, dies zusammen mit der Reinigung von Schornstein und Rauchgasrohren auszuführen.

6.3 Rauchgasrohre zum Kamin kehren

Rauchgasrohre müssen über die Rauchgasrohr-Reinigungsklappe oder die Türöffnung gekehrt werden. Leitblech und Auslassleitblech müssen zunächst demontiert werden.

6.4 Kaminprüfung

Jøtul empfiehlt eine sorgfältige Prüfung des Kamins durch den Benutzer, nachdem das Produkt gekehrt bzw. gereinigt wurde. Untersuchen Sie alle sichtbaren Oberflächen auf Risse. Kontrollieren Sie ebenfalls, ob alle Verbindungen abgedichtet sind und ob die Dichtungen korrekt platziert sind. Verschlissene oder deformierte Dichtungen müssen ersetzt werden.

Reinigen Sie die Dichtungsnuten sorgfältig. Tragen Sie Keramikklebstoff auf (erhältlich bei Ihrem lokalen Jøtul-Händler) und drücken Sie die Dichtung fest an. Die Verbindung trocknet schnell.

6.5 Äußere Pflege

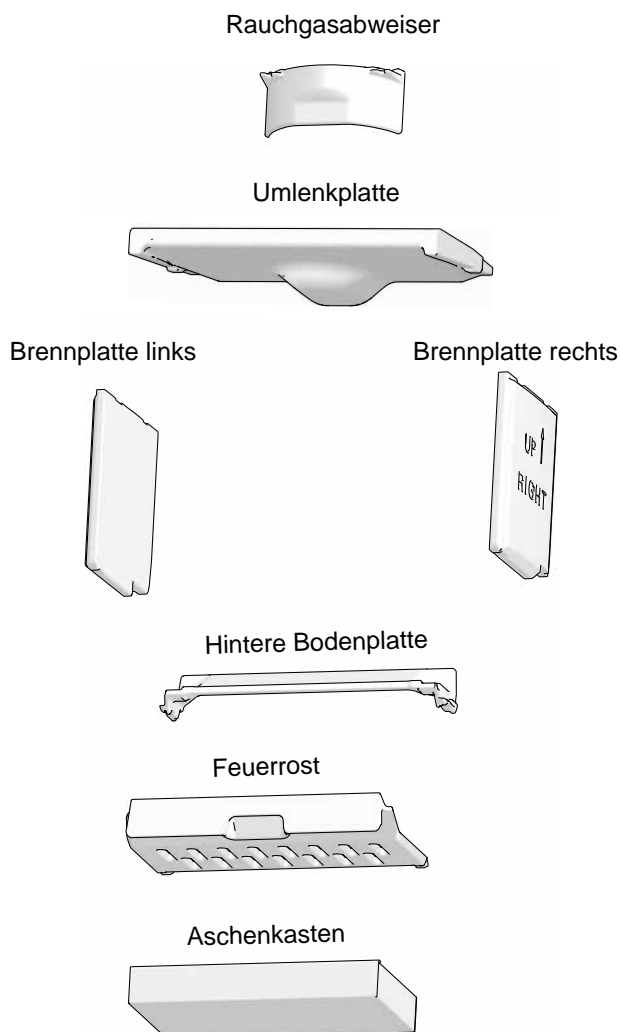
Lackierte Produkte können nach mehreren Jahren ihre Farbe ändern. Die Oberfläche sollte gereinigt werden. Lose Partikel sind abzubürsten, bevor neue Farbe aufgetragen wird.

Wichtig! Platzieren Sie keine Gegenstände auf den Ofen. Dies könnte die Farbe/Emaille dauerhaft beschädigen.

7.0 Wartung

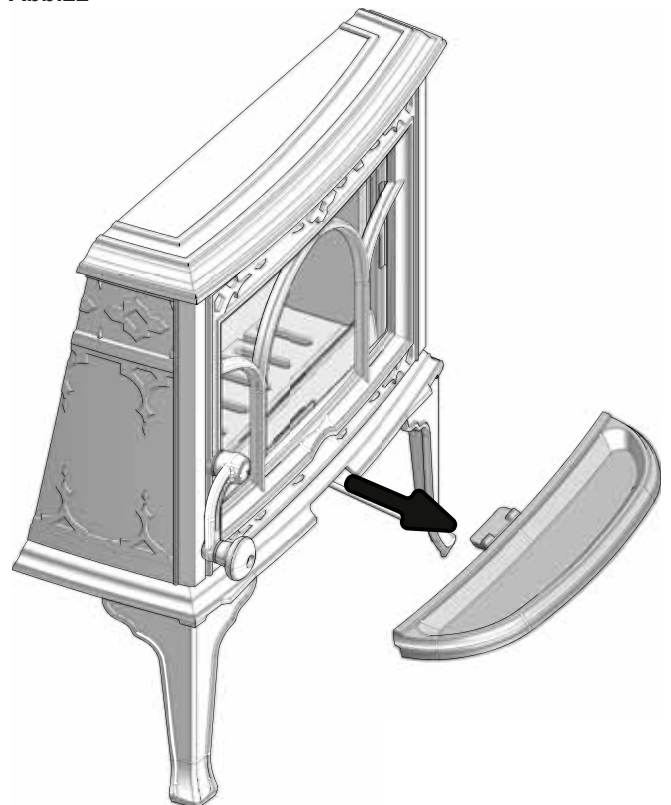
Unberechtigte Änderungen am Produkt sind untersagt!
Es dürfen nur Originalersatzteile verwendet werden!

Abb. 21



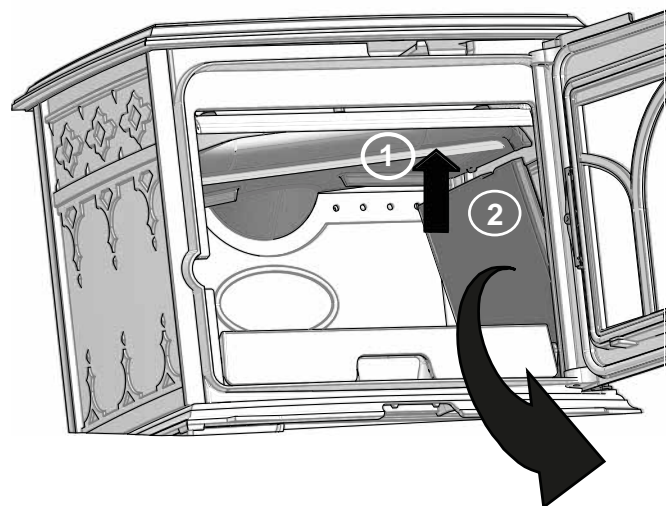
7.2 Austausch von Umlenkplatte, Brennplatten und Feuerrost

Abb.22



1. Bauen Sie die Aschenleiste aus.

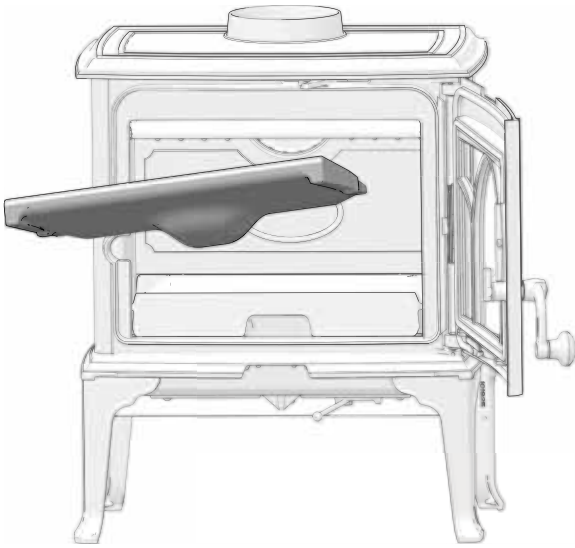
Abb.23



2. Heben Sie die Umlenkplatte, die auf den Brennplatten ruht, an einer Seite an. Während Sie die Umlenkplatte halten, heben Sie die Brennplatte an der angehobenen Seite ebenfalls an, und entnehmen Sie sie durch die Brennchamber.

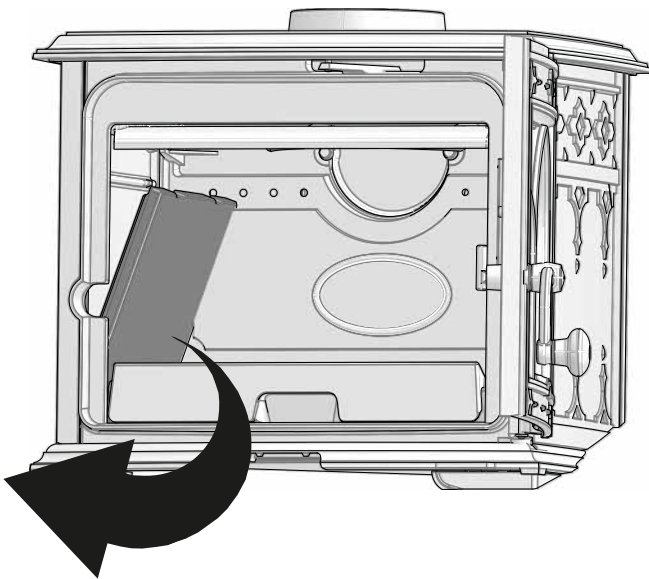
DEUTSCHLAND

Abb. 24



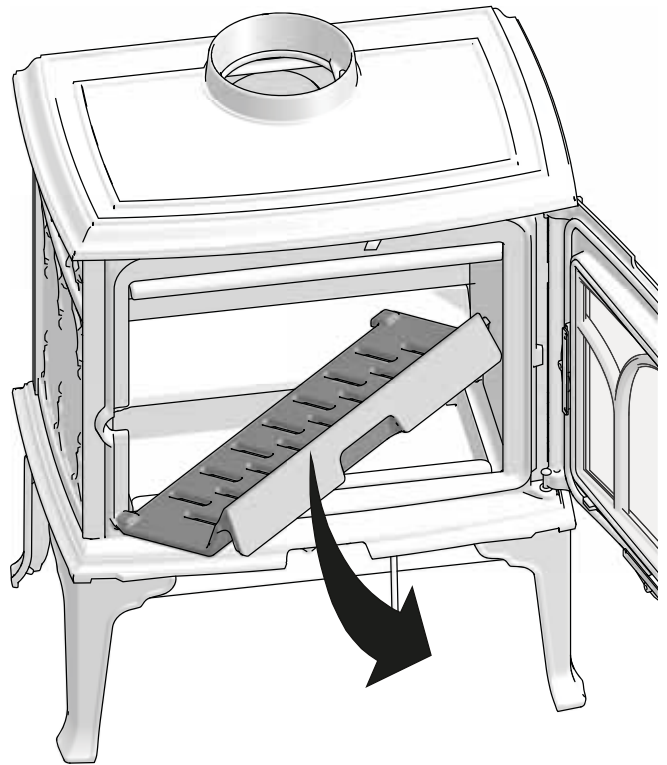
3. Bauen Sie die Umlenkplatte durch Ankippen aus.

Abb.25



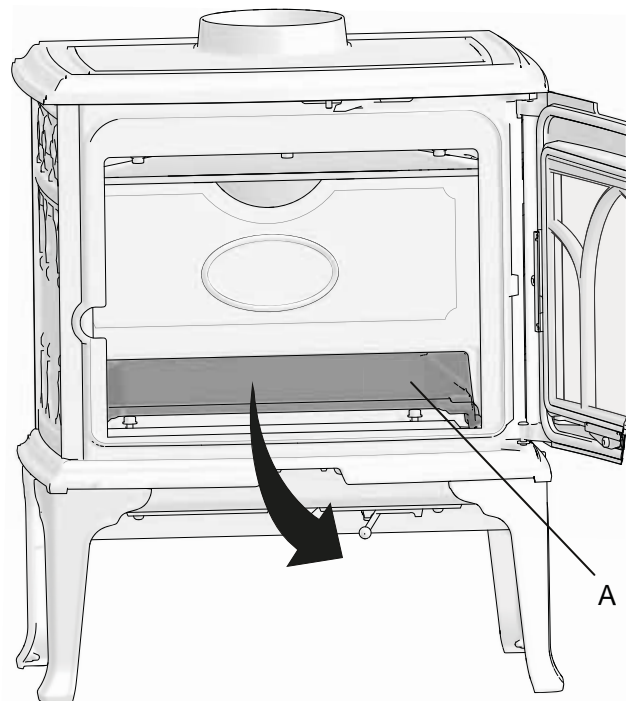
4. Bauen Sie anschließend die andere Brennerplatte aus.

Abb.26



5. Heben Sie den Feuerrost an, und kippen Sie ihn heraus.

Abb.27



6. Bauen Sie die hintere Bodenplatte aus (A).

Wiedereinbau:

- Bauen Sie zuerst die hintere Bodenplatte wieder ein.
- Setzen Sie den Aschenkasten und danach den Feuerrost ein.
- Setzen Sie die linke Brennerplatte ein. Setzen Sie die Umlenkplatte darauf, und halten Sie sie, bis Sie die rechte Brennerplatte ebenfalls wieder eingebaut haben. .

8.0 Betriebsstörungen - Fehlersuche

Geringer Zug

Überprüfen Sie, ob die Länge des Schornsteins die Anforderungen nationaler Gesetze und Vorschriften erfüllt. (Weitere Informationen finden Sie unter «**2.0 Technische Daten**» und «**4.0 Installation**» (Schornstein und Abzugsrohr)).

Stellen Sie sicher, dass der Mindestquerschnitt des Schornsteins den im Aufstellungshandbuch unter «**2.0 Technische Daten**» beschriebenen Angaben entspricht.

Stellen Sie sicher, dass der Rauchaustritt aus dem Schornstein nicht behindert wird, beispielsweise durch: Äste, Bäume usw. Wenn der Verdacht auf zu starken oder zu geringen Luftzug im Schornstein besteht, muss zur Messung und Anpassung professionelle Hilfe in Anspruch genommen werden.

Das Feuer erlischt nach kurzer Zeit

- Stellen Sie sicher, dass das Holz ausreichend trocken ist.
- Wenn im Haus Unterdruck herrscht, schalten Sie mechanische Ventilatoren ab, und öffnen Sie ein Fenster in der Nähe des Kamins.
- Sorgen Sie dafür, dass die Luftzufuhr geöffnet ist.
- Überprüfen Sie, ob die Abzugsöffnung mit Ruß verstopft ist.

Ungewöhnlich starke Rußablagerungen auf dem Sichtfenster

Leichte Rußablagerungen auf dem Sichtfenster sind unvermeidbar; die Stärke der Ablagerungen ist jedoch von folgenden Faktoren abhängig:

- Feuchtigkeit des Brennstoffes.
- Örtliche Luftzugverhältnisse.
- Einstellung der Luftzufuhr.

Normalerweise verbrennt der Großteil des Rußes, wenn die Luftzufuhr vollständig geöffnet ist und das Feuer mit starker Flammenbildung brennt.

9.0 Zusatzausstattung

9.1 Hitzeschutzplatte

Cat. no. 50012956

9.2 Sélbstschließend Türmechanismus

Cat. no. 12021209

10.0 Recycling

10.1 Recyclingverpackung

Ihr Kamin wird mit der folgenden Verpackung geliefert:

- Eine Holzpalette kann zersägt und im Kamin verbrannt werden.
- Verpackungskarton ist auf einem Recyclinghof zu entsorgen.
- Kunststoffbeutel sind auf einem Recyclinghof zu entsorgen.

10.2 Kaminrecycling

Der Kamin besteht aus folgenden Materialien:

- Metall, das auf einem Recyclinghof zu entsorgen ist.
- Glas, das als Sondermüll entsorgt werden muss. Das im Kamin verbaute Glas darf **nicht** im normalen Glasmüll entsorgt werden.
- Brennerplatten aus Vermiculit, die in Normalmüll entsorgt werden können.

11.0 Garantiebedingungen

1. Umfang unserer Garantie:

Jøtul AS garantiert, dass externe Gusseisenteile zum Kaufzeitpunkt frei von Material- oder Herstellungsfehlern sind. Sie können die Garantie für die externen Gusseisenteile auf 25 Jahre ab Lieferdatum verlängern, indem Sie das Produkt im Internet unter jotul.com registrieren und die Garantieverlängerungskarte innerhalb von drei Monaten nach dem Kauf drucken. Wir empfehlen, die Garantiekarte zusammen mit dem Kaufbeleg aufzubewahren. Jøtul AS garantiert ebenfalls, dass Stahlplattenteile zum Kaufzeitpunkt frei von Material- oder Herstellungsfehlern sind, und diese Garantie gilt 5 Jahre ab Lieferdatum.

Die Garantie gilt nur unter der Bedingung, dass der Kaminofen von Fachpersonal gemäß den geltenden Gesetzen und Regelungen sowie der Montage- und Bedienungsanleitung von Jøtul installiert wurde. Reparierte Produkte und Ersatzteile werden innerhalb der ursprünglichen Gewährleistungsfrist garantiert.

2. Folgendes ist von der Garantie ausgeschlossen:

- 2.1. Schäden an Verbrauchsmaterialien wie Brennerplatten, Lüftungsgittern, Rauchgasleitblechen, Dichtungen usw., da sich deren Zustand aufgrund einer normalen Abnutzung im Laufe der Zeit verschlechtert.
- 2.2. Schäden infolge unsachgemäßer Wartung, Überhitzung, einer Verwendung ungeeigneter Brennstoffe (Beispiele für ungeeignete Brennstoffe: Treibholz, imprägniertes Holz, Bretterschnitt, Spanplatten usw.) oder von zu feuchtem/nassem Holz.
- 2.3. Installation von Zusatzausstattung zur Anpassung lokaler Zugverhältnisse, Luftzufuhr oder anderer Umstände, die sich Jøtuls Einflussnahme entziehen.
- 2.4. Wenn ohne Jøtuls Zustimmung oder Originalteile Änderungen/Modifikationen am Kamin vorgenommen wurden.
- 2.5. Schäden während der Lagerung bei einem Händler oder beim Transport von einem Händler oder während der Installation.
- 2.6. Produkte, die von nicht-autorisierten Verkäufern verkauft werden, wenn Jøtul ein selektives Vertriebssystem nutzt.
- 2.7. Verbundene Kosten (z.B. Transport-, Arbeits-, Reisekosten usw.) oder indirekte Schäden.

DEUTSCHLAND

Pelletsöfen, Glas-, Stein-, Beton-, Emaille- und Lackoberflächen (z.B. Abplatzen, Rissbildung, Blasenbildung, Verfärbung usw.) unterliegen den nationalen Bestimmungen zum Verkauf von Verbrauchsgütern. Diese Garantie gilt für Käufe, die auf dem Gebiet des Europäischen Wirtschaftsraums getätigt werden. Alle Garantieanfragen müssen innerhalb eines angemessenen Zeitraums an Ihren lokalen autorisierten Jøtul-Fachhändler gerichtet werden – spätestens jedoch 14 Tage nach dem Datum, an dem der Fehler oder Defekt erkannt wurde. Siehe Händlerliste auf unserer Website jotul.com.

Wenn Jøtul nicht in der Lage ist, die Verpflichtungen in den oben genannten Garantiebedingungen zu erfüllen, wird ein Ersatzprodukt mit einer ähnlichen Heizleistung kostenlos angeboten.

Jøtul behält sich das Recht vor, jeden Austausch von Teilen oder Dienstleistungen zu verweigern, wenn die Garantie nicht online registriert wurde. Diese Garantie wirkt sich nicht auf die Rechte aus, die gemäß nationalen Bestimmungen zum Verkauf von Verbrauchsgütern bestehen. Das nationale Beschwerderecht gilt ab dem Kaufdatum und nur gegen Vorlage eines Kaufbelegs bzw. einer Seriennummer.



NO | Kvalitet og sikkerhets kontroll

Siden 1853 har Jøtul vært kjent for å produsere ovner og peiser av høy kvalitet og med lang levetid. Vi ønsker å tilby våre kunder de absolutt beste produktene og gir derfor også markedets lengste garanti. Gjennom vår produkt- og kvalitetskontroll vektlegges nettopp dette – trygghet og sikkerhet. Kontrollen forsikrer deg som forbruker et sikkert og godt kvalitetsprodukt gjennom hele produktets levetid. Velger du en Jøtul gjør du et trygt valg.

EN | Quality and safety control

Since 1853 Jøtul has been known for manufacturing stoves and fireplaces of high quality and long lifetime. We want to offer our customers the absolute best products and therefore we have the longest guarantee on the market. Through our product and quality control, we emphasize this - safety and security. Our control assures you, the consumer a safe and good quality product throughout its lifetime. By choosing Jøtul, you have made a safe choice.

Utført/ Checked	Kvalitet og Sikkerhets kontroll Jøtul F 100 ECO.2	Quality and safety check Jøtul F 100 ECO.2
	Overflater er i henhold til Jøtuls kvalitetsstandard	Surfaces are according to Jøtul workmanship standard
	Glass er kontrollert, og frie uten hakk, merker, riper	The glass is inspected and without any marks and scratches
	Synlige skruer, glass klips og hengsler er montert riktig, og etter sjekket.	All visible screws, hinges and clips are checked and assembled correctly
	Pakninger er riktig lagt, godt limt og med riktig pakningstrykk.	Ropes are correct, fastened and assembled with correct pressure.
	Innvendige deler er lagt ved i produktet: Hanske, mappe m M&B, BR.anv og pose pakket.	Additional components are included: Glove, 4PCS M&B, manual and accessory bag.
	Glasset dekker lissler, og spalte er lik mot dør på alle sider. Sideglass sjekkes er montert riktig vei	The glass, and side glass, are assembled correct. Glass over the rope and with the same distance to the door on all sides.
	Lukkemekanismen er funksjonstestet, og fungerer som de skal. Skruer på aksel dørlås etter strammes.	Locking mechanisms and valves are controlled and adjusted to the product. Screw on the latch is tighten.
	Håndtak og ventiler er riktig justert og tilpasset til produktet.	Handle and air valves are adjusted accordantly to the product.
	1 stk trekkventil er på montert og funksjonstestet, med skiltplate limt på.	Air valves are controlled, tested and with label.
	Dør er riktig justert: -Opp/ned	The door is adjusted correctly, up/down
	1stk hvelv er fri for skader, festet m/hvelvlås og tre - kloss, og folie er montert.	The baffle plate is free for marks, dents and scratches. Locked with baffle lock, wood piece, and foil.
	Bakre brennplate er fri for hakk, merker og riper	Burn plate is free for marks, dents and scratches.
	Topp plate øvre ligger stødig på produktet	Top plate is steady on the product.
	Produktet er fritt for utvendig kitt- mellom frontsider/ topp-sider	The product is checked for cement, outside, and between front and top sides.
	Ved emaljerte varianter kontrolleres skruer festet til søyle.	Screw for pedestal, for enameled products, are controlled.
	1 stk. godkjenningsskilt er sjekket mot ordrenummer og serienummer på produktet.	1 Approval sign: Checked against order number correspond with this product.
	Målt verdi for lekkasjekontroll: m³/t	Leakage test complete, measured value: m³/t
Lot#/Serie nr.	Checked by/ kontrollert av	Date/Dato:

Cat.no. 10060649-P00
Jøtul AS, Mars, 2021

Jøtul pursue a policy of constant product development. Products supplied may therefore differ in specification, colour and type of accessories from those illustrated and described in the brochure.

Jøtul vise sans cesse à améliorer ses produits. C'est pourquoi, il se réserve le droit de modifier les spécifications, couleurs et équipements sans avis préalable.

Quality

Our policy gives the customers quality and safety piece of mind as a result of Jøtul's vast experience dating back to when the company first started in 1853.

Qualité

Cette politique nous permet d'offrir à nos clients une qualité et une sécurité reposant sur la vaste expérience accumulée par Jøtul depuis sa création en 1853.



Jøtul AS,
P.o. box 1411
N-1602 Fredrikstad,
Norway
www.jotul.com