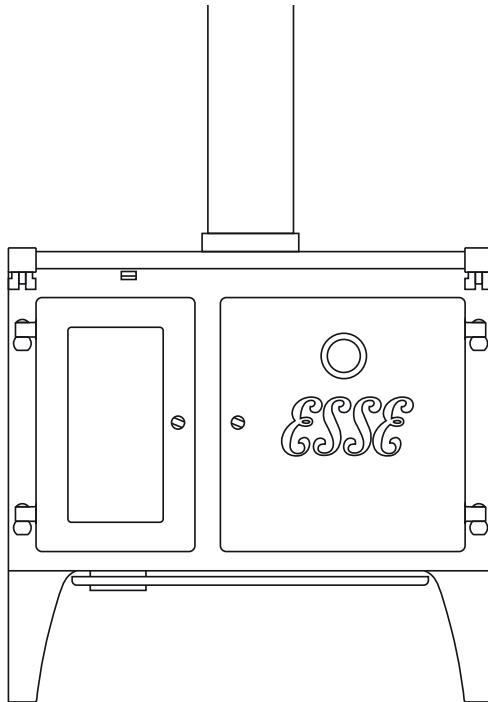


ESSE

Lighthouse

Wood Fired Cook Stove
Instruction Manual



UK
CA  MADE IN
BRITAIN[®]



CONTENTS

1. WELCOME TO YOUR ESSE	4
2. INSTALLATION INSTRUCTIONS	5
PLANNING THE INSTALLATION.....	5
VENTILATION	5
PRODUCT SPECIFICATION.....	6
CO ALARM.....	7
UNPACKING THE APPLIANCE.....	7
CHIMNEY & FLUE.....	7
HEARTH	8
CLEARANCE DISTANCES (COMBUSTIBLES & NON-COMBUSTIBLES).....	8
FLUE DRAFT	8
COMMISSIONING.....	8
3. OPERATING INSTRUCTIONS.....	10
BEFORE USING YOUR COOK STOVE	10
GETTING TO KNOW YOUR COOK STOVE	10
SUPPLIED TOOLS AND PARTS	11
FUEL.....	12
LIGHTING YOUR ESSE COOK STOVE.....	13
REFUELLING	15
COOKING ON YOUR COOK STOVE.....	15
REDUCED BURNING	17
FLUE DRAFT	17
CLEANING & MAINTENANCE.....	17
CHIMNEY SWEEPING	19
SAFE SHUTDOWN.....	19
SEASONAL USE	20
WARRANTY	20
TROUBLESHOOTING.....	21
4. CONSUMABLE PARTS.....	22
5. DECLARATION OF PERFORMANCE	23

THE CLEAN AIR ACT 1993 AND SMOKE CONTROL AREAS

Under the Clean Air Act local authorities may declare the whole or part of the district of the authority to be a smoke control area. It is an offence to emit smoke from a chimney of a building, from a furnace or from any fixed boiler if located in a designated smoke control area. It is also an offence to acquire an “unauthorised fuel” for use within a smoke control area unless it is used in an “exempt” appliance (“exempted” from the controls which generally apply in the smoke control area).

In England appliances are exempted by publication on a list by the Secretary of State in accordance with changes made to sections 20 and 21 of the Clean Air Act 1993 by section 15 of the Deregulation Act 2015. Similarly in Scotland appliances are exempted by publication on a list by Scottish Ministers under section 50 of the Regulatory Reform (Scotland) Act 2014.

In Wales and Northern Ireland these are authorised by regulations made by Welsh Ministers and by the Department of the Environment respectively.

Further information on the requirements of the Clean Air Act can be found here at: <https://www.gov.uk/smoke-control-area-rules>

Your local authority is responsible for implementing the Clean Air Act 1993 including designation and supervision of smoke control areas and you can contact them for details of Clean Air Act requirements.

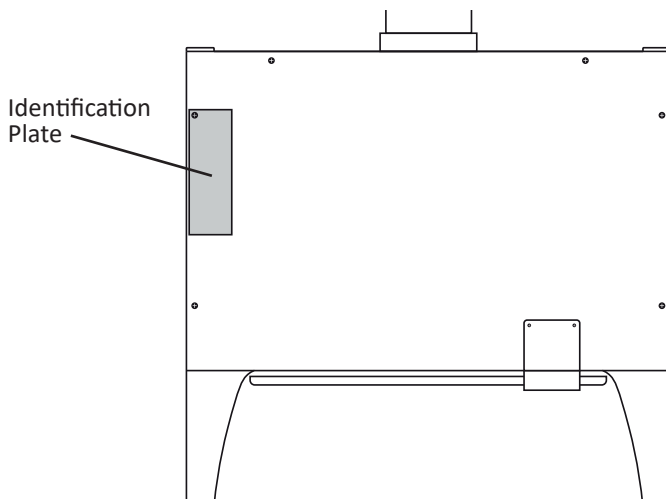
1. WELCOME TO ESSE

Welcome to the ESSE family! We've poured all of our knowledge, expertise and passion for designing and manufacturing market leading stoves, dating back to 1854, into producing your ESSE cook stove. All ESSE cook stoves are manufactured at our factory in Barnoldswick, Lancashire, and we're confident that when competently installed, maintained and cared for, your ESSE stove will provide you with many years of cooking, room heating, comfort and joy.

Before you fire up your ESSE cook stove for the first time, ensure that your installer has installed the stove in line with the 'Installation' section of this manual, and that the flue and chimney has been swept. The cook stove is not suitable for use in a shared flue.

As you would expect, when in use, all parts of the stove become hot, so always use the supplied operating tool or glove when operating your ESSE cook stove. A fireguard manufactured in accordance with BS 8423:2002 should be used, if it is likely that the infirm, children or pets may come into contact with the appliance. Do not use any inflammatory material close to the stove when alight.

These instructions provide all the necessary information to both install, then operate your ESSE cook stove. The key information relating to your stove, including the serial number, can be found on the data plate, located on the rear of the stove. Please quote the model and serial number, in any future communication with your retailer or the manufacturer.



2. INSTALLATION INSTRUCTIONS

PLANNING THE INSTALLATION

It is the installer's responsibility to ensure that when installing the appliance, the requirements of the Health and Safety at Work Act 1974 and other relevant installation British standards are complied with.

The installation instructions within this manual provide a guide for safe and appropriate installation, but it is the responsibility of the installer to ensure that the requirements of applicable British Standards are met, in particular BS 8303 and BS EN 15287:2007, relating to the installation of solid fuel appliances. The appliance is heavy and care must be taken during handling. Although the appliance does not contain asbestos products, it is possible that asbestos may be disturbed in existing installations and every precaution must be taken.

When considering the installation design, ensure appropriate access is provided for cleaning of the appliance, flue pipe and chimney flue. This appliance is suitable for intermittent operation, but is not suitable for use in a shared flue system. The appliance should not be used in the same room as an extractor fan, as this can cause the stove to emit fumes into the room.

VENTILATION

All stoves require a consistent supply of 'combustion air', to allow for combustion of the fire. As a general rule, permanent external air vents are not required for stoves with a nominal output of 5kW or less. However, houses with a low air permeability, such as newer builds, may require a permanent external air vent. Document J of the Building Regulations explains that should a stove be installed in a room with an air permeability of lower than $5.0\text{m}^3/(\text{h}\cdot\text{m}^2)$, a permanent external air vent is required, irrespective of the nominal output of the stove.

External air vents must be positioned so they are not liable to be blocked. Based upon the requirements within Document J of the Building Regulations, a 5kW stove has the below air vent area requirements.

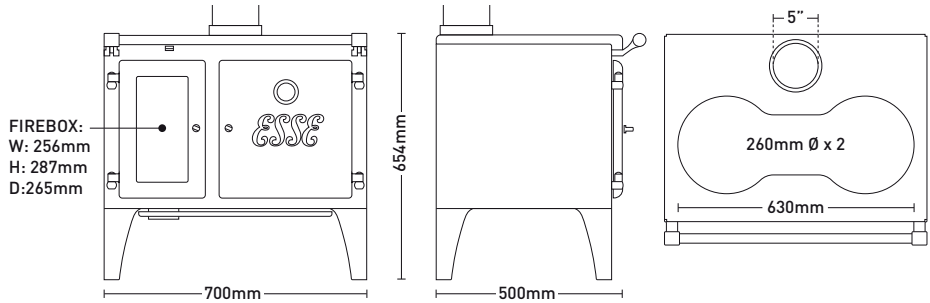
Air Permeability $\text{m}^3/(\text{h}\cdot\text{m}^2)$	Minimum air vent area (cm^2)
<5.0kw	Not required
>5.0kw	27.5

Please consult Document J of the Building Regulations for detailed guidance, particularly for new build properties, where a low air permeability rating may necessitate a permanent external air vent.

It is essential that the fire has adequate air supply for combustion and ventilation. Apertures provided for this purpose shall not be restricted.

2. INSTALLATION INSTRUCTIONS

PRODUCT SPECIFICATION



ESSE cook stoves are hand crafted, so small variations in size can occur.

Description	Value
Nominal Heat Output	4.6kW
Recommended chimney draught	12Pa
Efficiency	81.0%
Mean Flue Temperature	213°C
CO @13% O ₂	0.08 vol%
NO _x @13% O ₂	116 mg/m _o ³
C _x H _y @13% O ₂	70 mgC/m _o ³
Dust @13% O ₂	29 mg/m _o ³
Energy Class	A+
Energy Index	102
Seasonal Efficiency	71.0%
Weight	140kg

Distance To Combustibles	Distance To Combustibles		
	Rear	Left Side	Right Side
With single wall flue & no heat shield	250mm	500mm	50mm
With heat shield & insulated flue pipe	50mm	250mm	N/A

2. INSTALLATION INSTRUCTIONS

CO ALARM

Building regulations require that whenever a new or replacement fixed solid fuel or wood / biomass appliance is installed in a dwelling, a carbon monoxide (CO) alarm must be fitted in the same room as the appliance, in accordance with BS EN 50292:2002. Please consult Document J of the Building Regulations for detailed guidance. The installation of an alarm must not be considered a substitute for either installing the appliance correctly, or ensuring regular servicing and maintenance of the appliance and chimney system. We recommend a fire extinguisher and fire blanket are in the property as a precaution.

VENTILATION

All stoves require a consistent supply of 'combustion air', to allow for the combustion of the fire. As a general rule, permanent external air vents are not required for stoves with a nominal output of 5kW or less. However, some newer houses with a low air permeability may need a permanent external air vent, irrespective of the nominal output of the stove.

UNPACKING THE APPLIANCE

The stove comes bolted and strapped to a pallet, for simple and secure transportation. To unpack, first remove the strapping and packaging. Then remove the two bolts holding the stove to the pallet, using a 10mm spanner. Whilst heat-treated, the pallet has been produced from soft wood timber that is appropriate for use as kindling, so can be broken up and chopped, for this purpose. Finally, dispose of the remaining packaging responsibly.

CHIMNEY & FLUE

It is the installer's responsibility to check the condition of the flue or chimney and advise accordingly. The stove must be installed and connected to the chimney and flue pipe in line with the current requirements of Building Regulations. As a basic guideline, the chimney and flue installation should...

- ✓ Have an internal cross section area of approximately 320cm², with a minimum diameter or square side length of 125mm².
- ✓ Have a minimum height of 4.6m.
- ✓ Be free from cracks, severe bends, voids and obstructions. (Typically, the first 500mm should be free from bends, whilst any subsequent bends should not be greater than 45°).

2. INSTALLATION INSTRUCTIONS

- ✓ Ensure where a flue pipe connects to a chimney, the flue passes past the point where the chimney narrows
- ✓ Ensure an appropriate flue draught strength is present in the chimney as detailed within the Flue Draught section of this manual (see page 8 below).
- ✓ Take into consideration future access for maintenance and sweeping.
- ✓ The flue must have a suitable terminal fitted to prevent any ingress of rain. We recommend a bird guard and rain cap type as a minimum.
- ✓ A single wall starter length with a single to twin wall adapter will be needed to use twin wall insulated flue. The Stove will need to be cited clear of the wall to accommodate use of twin wall flue.

This appliance must be installed by a HETAS registered installer or inspected and registered by building control. Please consult Document J of the Building Regulations for detailed guidance.

HEARTH

The appliance must be located on a non-combustible floor. There must be a minimum distance of 225 - 300mm from the front of the stove, to the front of the hearth.

DISTANCES TO COMBUSTIBLE MATERIALS

Required distances to combustibles can be found in the Product Specification section of this manual.

FLUE DRAUGHT

An appropriate flue draught strength in the chimney or flue is ESSENTIAL for the stove to work safely and efficiently. When installed, and prior to commissioning, a flue draught reading should be taken.

When both the cook stove and chimney are warm, a reading in a range between 0.05" – 0.1" (1.25mm to 2.54mm) water gauge or 1.25mm wg (12 Pa) and 2.5mm wg (25 Pa) is required. Any readings significantly outside this range are likely to cause problems, so further investigation should be undertaken so as to either reduce or increase the flue draft reading, as appropriate.

COMMISSIONING

Once the installation has been completed, check the flue and chimney connection is fully sealed, and complete a test lighting of the cook stove. Instruct the owner on how to use the appliance, and complete the Commissioning Checklist section of this manual. Finally, ensure that you leave this manual with the owner, for their reference.

2. INSTALLATION INSTRUCTIONS

Please complete, for the owners records and to support any future warranty claims.

To be completed by the installer.

Retailer Information

Name

Address

Telephone Number

Installation information: (Essential information - must be completed)

Date of installation

ESSE model

Serial number

Installing engineer information:

Name

Address

Telephone Number

Commissioning checks: (To be completed & signed for)

Flue draft reading taken and recorded

(Insert reading here)

Flue & chimney setup appropriate

Yes No

Flue & chimney swept & inspected

Yes No

Smoke test completed on appliance

Yes No

Clearance to combustibles checked

Yes No

CO alarm fitted

Yes No

Operation of appliance explained to owner

Yes No

Instruction manual handed over to owner

Yes No

Signature.....

Print Name.....

3. OPERATING INSTRUCTIONS

BEFORE USING YOUR COOK STOVE

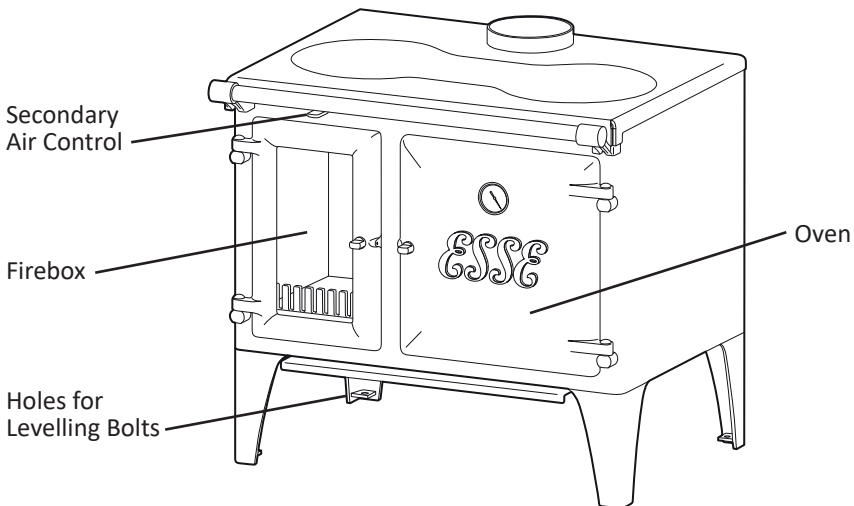
Ensure that all protective packaging has been removed. The hotplate has been oiled at the factory to prevent rusting and therefore will require wiping with a damp cloth and drying with a paper towel, before use.

This appliance is suitable for burning wood only.



Do not place tea towels or similar items on the handrail.

GETTING TO KNOW YOUR COOK STOVE



Secondary Air Control

This is used to control the fire burning rate / fuel consumption, by managing the amount of air supplied to the fire. When moved to the right, there is more air and a faster burn rate / more heat produced, whilst moved to the left, there is less air, and a slower burn rate / less heat produced.

Firebox

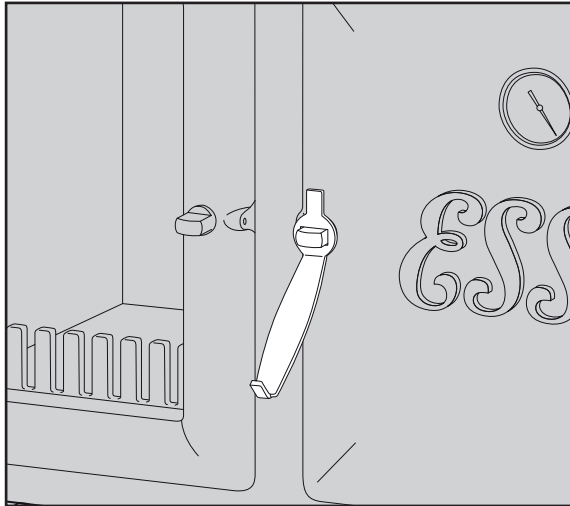
Wood logs are loaded into the firebox through the door which is opened by rotating the catch 90° anticlockwise.

Oven

The oven is behind the right door, which is opened by rotating the catch 90° clockwise.

3. OPERATING INSTRUCTIONS

When in use, both of these catches will become hot, so always use the supplied glove and operating tool to open and close them. The glove and tool should also be used to adjust the Air Control.



SUPPLIED TOOLS AND PARTS

Your ESSE Lighthouse comes supplied with...

- ✓ **Glove** - For interacting with the controls
- ✓ **Operating Tool** - For opening doors & using controls
- ✓ **Wire Brush** - For cleaning oven & hotplate

Please keep all of these items in a safe place.

3. OPERATING INSTRUCTIONS



This appliance is not to be used as an incinerator, and unsuitable fuels should not be used. Failure to follow this requirement will invalidate your warranty.

FUEL

Your ESSE cook stove has been designed to burn wood logs. The moisture content of your wood needs to be no higher than 15% to ensure clean, complete and totally efficient combustion. Referred to as 'green wood', recently felled wood will almost certainly have a moisture content that is too high to burn efficiently and cleanly. Similarly, overly dry wood will burn quickly making your cook stove less economical to run.

Lower moisture content of the wood logs is best achieved by either storing green wood yourself for a period of 12 – 18 months, and checking regularly with a moisture detector, or purchasing it from a reputable fire wood specialist, who is able to control the moisture content of their wood logs.

For best results, we recommend your wood logs are cut to a length of 200mm x ø150mm split.

3. OPERATING INSTRUCTIONS

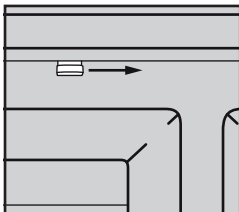
LIGHTING YOUR ESSE COOK STOVE

For the first lighting only light a small kindling fire for a period of approximately 1-2 hours to pre-warm and dry out any moisture found within a new flue and chimney. Be aware, when your ESSE cook stove is first lit, it may smoke, give off an odour, or make 'ticking noises'. This is quite normal, as the materials used within its manufacture are heated up and expanding for the first time, and your flue system may be new and require to be run in. These symptoms will stop within a short period, but ensure that the room is well ventilated during this 'burning in' process.

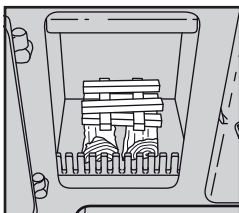
The pallet that your ESSE cook stove was supplied on has been produced from softwood timber so it can be broken up and used for kindling.



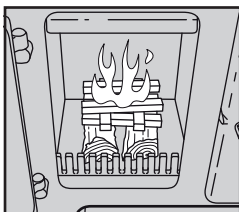
Whilst lighting the fire, do not leave your ESSE cook stove unattended until the fire is well established. Make sure the fire door is fully closed and the air control is correctly set to the burning rate you require.



Before lighting your ESSE Lighthouse, ensure that the Air Control is fully open (Pushed to the right).



Lay two small wood logs along the length of the firebox base, and place a firelighter / tightly rolled up newspaper on top of them. On top, use wood kindling to create a small lattice structure, before finally placing a small wood log on top.



Safely ignite the firelighter / newspaper and close the door, but leaving it slightly ajar. Initially once the flames have established on the wood logs, (typically within 3 – 5 minutes), fully close the door and slowly reduce the air volume, by moving the Air Control to the left. Continue to use the Air Control to regulate the heat output.

3. OPERATING INSTRUCTIONS

We recommend a maximum load of up to two wood logs per hour will be sufficient.

It is very important that your ESSE cook stove is not overfired, as this may cause long term damage to the appliance, and invalidate your warranty.



The fire door should only be opened during the initial lighting and refuelling of your ESSE cook stove. If left open during normal operation, you may experience excessive smoke emitting into your room.

FUEL OVERLOADING



The maximum amount of fuel specified in this manual should not be exceeded, overloading can cause damage to your stove.

The appliance must not be operated with the air control fully open or with the door left open except during initial lighting.

REFUELLING

Boost the fire by opening the air control before reloading on an established fire. If the current fire has died out, reignite the fire with additional kindling, before adding additional fuel. When positioning fuel into the firebed, ensure that the fuel is not touching the back or side walls, or the glass window, as this will result in soot forming on these surfaces.

To enjoy optimum wood burning, leave an ash bed of 25 – 40mm of ash within the firebox. First rake the current fuel, to create a bed of hot embers, on which to place the new fuel. Then place the new wood logs onto the hot embers.

3. OPERATING INSTRUCTIONS

COOKING ON YOUR COOK STOVE

The oven and hotplate are heated directly by the fire. In order to heat up the oven and hotplate, the fire should be lit as described on page 8.

THE OVEN

To increase oven temperatures, refuel the stove using smaller or drier logs, and increase the burning rate of the fuel by use of the air control, and regulate to the desired temperature.

The oven door should be kept closed when in use.

Your ESSE Lighthouse comes supplied with a wire shelf, which can be placed on the steel runners in the oven. The wire shelf has anti-pull-out stops fitted to reduce the risk of them pulling free of the cooker accidentally. To remove the shelf, pull forward as far as they come, then lift the front of the shelf up at an angle, and slowly pull free from under the stop and the shelf runners.

Because the Lighthouse uses the 'heat transfer' principle to distribute heat generated in the firebox through to the oven, time will be required to optimise this method after lighting your stove.

When oven cooking is required we suggest taking time to build up the required temperature with wood logs and allowing these to get well alight and combusting well to give a good, even, steady burning fire. The alternative method would mean vigilantly re-loading the firebox at regular intervals until the required oven temperature is obtained. Once this method is fully functional topping up with one or two smaller logs will keep the fire at the temperature you need.

It's advantageous to keep different types of wood to use when operating your stove. For example soft woods such as pine, spruce and fir are all excellent to use for raising the oven temperature quickly. Hard woods such as oak and ash are slower, long term, burning fuels.

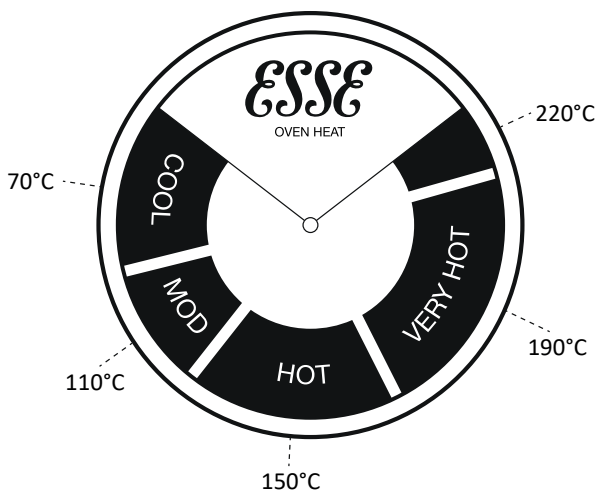
3. OPERATING INSTRUCTIONS

THE HOTPLATE

The left hand side is positioned directly above the firebox, so will be the hottest area, and is perfect for boiling. The right hand side uses heat transfer to provide heat, and is designed for simmering and cooler hob cooking.

Depending upon what you are cooking, both sides of the hotplate can be used for direct to hotplate cooking, such as searing, chargrilling or toasting.

We only recommend using heavy based pans, casserole dishes or griddle pans.



THE OVEN TEMPERATURE GAUGE, WITH TEMPERATURE GUIDE

A temperature gauge is located within the oven door, this is a guide only as the oven will be hotter at the top and rear. Remember that when the door has been opened, the temperature shown on the dial will drop, and take time to correct, when the door is subsequently closed. Please note, the temperature gauge should only be used as a guide to the oven temperature.

Once up to temperature, relatively small amounts of fuel are required to keep the cooking areas hot. With this in mind, resist the temptation to add excessive amounts of fuel to the firebox, which can cause long-term damage to your ESSE Lighthouse, whilst also making the appliance uncomfortably hot to stand in front of, during cooking.

3. OPERATING INSTRUCTIONS

REDUCED BURNING

Once a fire has established, reduce air to the fire by pushing the air control left, and ensure that the door is firmly closed. Experimentation with the setting of air controls may be required, depending upon the effectiveness of the flue and fuel type. A build-up of soot on the inside face of the glass window is more likely when operating the cook stove in this way. Don't fully shut the air control which operates as an air wash to keep the glass clean.

DE-ASHING

Wood burns best on a bed of ashes. Always keep a bed of ashes in the firebox - 25-40mm deep to start a new fire on top of. Never clean away all the ashes back to the bare base brick.

FLUE DRAUGHT

The flue draught measurement should be working within the range 12-25 pascals. If your cook stove is burning wood logs quickly, and adjusting the Air Control is having little effect on controlling the fire, consult with your installer to have the installation investigated.

CLEANING AND MAINTENANCE

Your ESSE cook stove should be inspected frequently, and any required maintenance undertaken. We recommend that your ESSE cook stove is serviced once a year by a qualified service professional.

As the cook stove top is used for cooking, associated wear and tear will occur. Spills should be wiped up immediately with a damp cloth. Chemical oven cleaners should not be used on the hob surface.

The supplied wire brush can be used to remove stubborn stains from the hotplate, or inside the oven. After removing any stains the stove can be resprayed using charcoal heat resistant stove paint such as Calfire 04003 available to buy online.

3. OPERATING INSTRUCTIONS



Be aware that using the wire brush on the painted surfaces, (including the top that surrounds the hotplate), will cause damage to the paint finish.

The hotplate will rust with prolonged exposure to moisture. Should this be the case, remove any surface rust with the supplied wire brush, and season with a thin coating of flax oil (food grade linseed oil), which will create a tough, water resistant coating. The inside of the oven can also be given a coating of flax oil, which will help protect it against rusting, particularly when the oven is not in use for prolonged periods.



Repairs or modifications should only be undertaken by ESSE authorised professionals. Only genuine ESSE replacement parts should be used, or your warranty may become invalid.

GENERAL CLEANING

The exterior cast iron and sheet steel parts should be cleaned with a soft brush or lint-free cloth. More stubborn stains can be removed with the wire brush or wire wool, then respray any affected areas with charcoal heat resistant stove paint available from Calfire Spare Line Ltd., code no. 04003.

GLASS WINDOW

If the glass window needs cleaning, use a damp cloth. If stubborn stains remain, use a dedicated glass cleaning solution. Do not use abrasive cleaners or pads, as these can scratch the surface, which may cause the glass to fail prematurely. Before relighting the appliance ensure that the glass has fully dried.

ROPE SEALS

Ensuring a firm seal between the body of the appliance and the closed door is essential for the efficient and clean burning of your ESSE stove. The rope seals on the inside face of the door should be inspected regularly, and replaced as necessary.

3. OPERATING INSTRUCTIONS

CHROME PARTS

Chrome parts can be cleaned using a dedicated chrome cleaner. Do not use aggressive chemical cleaners, as these can dull the finish. Do not use aggressive scouring pads or brushes, as this can scratch the surface.

CHIMNEY SWEEPING

To ensure continued safe and efficient use of your ESSE cook stove, we recommend that your chimney is swept by a professional at least once a year, typically before the stove season. Where the appliance is used throughout the year, we recommend more regular sweeping.

SAFE SHUTDOWN

In the unlikely event of a chimney fire, a fault occurring with the appliance, or extreme weather affecting the burn of the appliance, move the Air Control to the left, closing down the combustion air supply to the minimum volume. This will minimise the air supply to the fire, which will then slowly die out. In the case of a fire in the chimney or flue, immediately call the Fire and Rescue Service for assistance.

SUMMER SHUTDOWN / SEASONAL USE

If it is envisaged not to use the appliance for a while, for example during the warmer months, we recommend you leave the oven door ajar to avoid any condensation issues. A flow of oxygen at room temperature through the stove will stop the paint oxidising.

3. OPERATING INSTRUCTIONS

SEASONAL USE

If your ESSE cook stove is to not be used for a period of time, first clean the appliance as described within the 'Cleaning & Maintenance' section of this manual. Empty the firebox of all ash, before closing the door. Position the Air Control to a central position and leave the oven door ajar - this will allow a flow of air, preventing a build-up of moisture inside your ESSE cook stove, which can lead to rusting.

WARRANTY

Your ESSE cook stove has been built to the highest standard using premium materials, and comes with a two year manufacturer's warranty. Register your ESSE cook stove online at www.esse.com/warranty-registration. The warranty must be registered within 1 month of installation.

The conditions of your warranty are...

- ✗ Does not cover damage resulting from transportation, improper use or neglect.
- ✗ Does not cover incorrect use or application, as advised within this manual.
- ✗ Must be installed appropriately, by a certified installer.
- ✗ Does not cover consumable parts, including the glass window, all firebox parts and rope seals.
- ✗ Does not cover general wear and tear or cosmetic damage unrelated to the function of the appliance.
- ✗ This guarantee is personal to the original purchaser only and is non-transferable.



To dispose of the stove after the product life has expired, please observe the following information:

- Dispose of the items correctly i.e. separate the parts to be disposed of in material groups.
- Always dispose of items in a way that is as sustainable as possible and that is in line with the current environmental protection, reprocessing/recycling and disposal technology.

3. OPERATING INSTRUCTIONS

TROUBLESHOOTING

PROBLEM	CAUSE	SOLUTION
Window glass blackening	Wet wood logs	Use wood logs with 15-20% moisture content
	Fuel touching glass window	Use a poker to move fuel back within the fire grate
	Too little combustion air	Increase the setting of the air control / lack of ventilation
Fumes emit into room	Blocked flue	Check and remove any blockage
	Downdraft in flue	Consult with your installer to add a flue cowl or other solution
Fire will not light	Too little combustion air	Increase the setting of the air control / lack of ventilation
	Wet wood logs	Use wood logs with 15-20% moisture content
	Flue draught is too low	Consult with your installer to rectify
Fire burns too quickly	Too much combustion air	Reduce the setting of the air controller
	Overly dry wood logs	Use wood logs with 15-20% moisture content
	Flue draught is too high	Consult with your installer to rectify

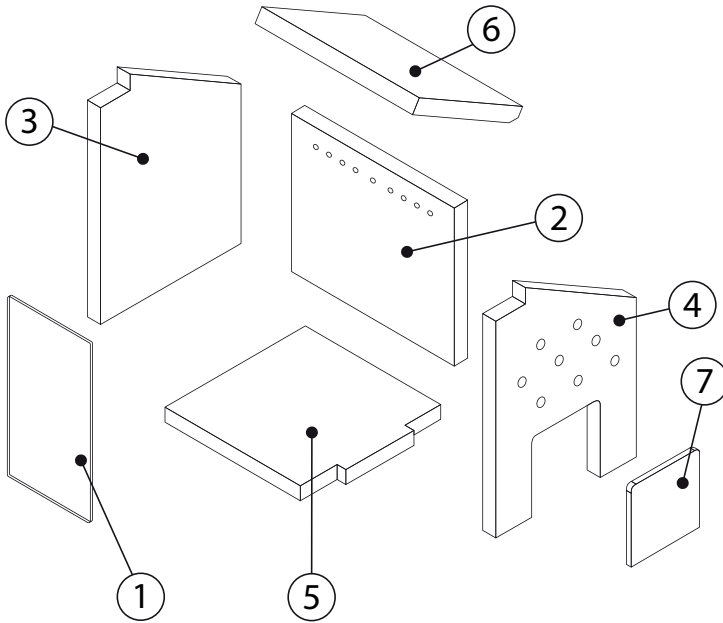
WARNING NOTE

Properly installed, operated and maintained this stove will not emit fumes into the dwelling. Occasional fumes from de-ashing and re-fuelling may occur. However, persistent fume emission is potentially dangerous and must not be tolerated. If fume emission does persist, then the following immediate action should be taken:

- a) Open doors and windows to ventilate the room and then leave the premises.
- b) Let the fire go out.
- c) Check for flue or chimney blockage and clean if required.
- d) Do not attempt to relight the fire until the cause of the fume emission has been identified and corrected. If necessary, seek expert advice.

The most common cause of fume emission is a flue or chimney blockage. For your own safety these must be kept clean at all times.

4. CONSUMABLE PARTS



PART NUMBER	DESCRIPTION	QTY
1 I-LH-007	Lighthouse Fire Box Door Glass	1
2 I-LH-014	Lighthouse Rear Brick (3mm x 700mm Rope to be glued to brick)	1
3 I-LH-021	Lighthouse Left Hand Side Brick	1
4 I-LH-021R	Lighthouse Right Hand Side Brick	1
5 I-LH-043	Lighthouse Base Brick	1
6 I-LH-044	Lighthouse Baffle Brick	1
7 I-LH-021RI	8mm Steel Divide	1
8 ROPE/CUT.GRY/13 X 1160	Lighthouse Firebox Door Rope	1
9 ROPE/CUT.GRY/13 X 1500	Lighthouse Oven Door Rope	1
10 ROPE/CUT.GRY/3 X 920	Lighthouse Glass Ladder Rope	1
11 ROPE/CUT.GRY/ 3 X 1670	Lighthouse Hotplate Rope	1
12 ES-032	Operating Tool	1
13 2023-072	Wire Brush Red Handle	1
14 MF2019	Glove Type Leather Stoves / Cookers	1

The above consumable parts can be ordered through your retailer or online www.esse.com/store/

5. DECLARATION OF PERFORMANCE



DECLARATION OF PERFORMANCE

(In accordance with Regulation (EU) No. 305/2011)

1. **Unique identification code of the product type**
ESSE LIGHTHEART
2. **Product description**
ESSE LIGHTHEART
3. **Intended use of the product**
Residential cooker fired by solid fuel
4. **Manufacturer**
ESSE Engineering Ltd, Long Ing, Barnoldswick, Lancashire, UK, BB18 6BJ
5. **Authorised representative**
n/a
6. **System of assessment**
System 3
7. **Notified laboratory**
The notified laboratory SGS Nederland B.V, laboratory No. 608 performed the determination of the product type on the basis of type testing under system 3 and issued test report Ref. EZKA/2023-04/00019-1
8. **Declared performance**

	LIGHTHEART Wood
• Harmonised technical specification	EN 12815-A1:2004
• Essential characteristics	Performance
• Fire safety	-
- Reaction to fire	A1
- Distance to combustible materials	Rear: 250mm LHS: 500mm RHS: 50mm
- Risk of burning fuel escaping	Pass
• Emission of combustible product (CO)	0.08%
• Surface Temperature	Pass
• Electrical Safety	n/a
• Cleanability	Pass
• Maximum operating pressure	n/a
• Flue gas temperature at nominal heat output	213°C
• Mechanical resistance (to carry a chimney / flue)	Pass
• Thermal properties	-
- Nominal heat output	4.6kW
- Room heating output	n/a
- Water heating output	n/a
• Efficiency	81.0%

9. **Conformity**
The performance of the product identified in points 1 and 2 is in conformity with the declared performance given in point 8

Signed for on behalf of the manufacturer

Signed  Date 14/09/2023

Peter Ashby
Production Director

R109/23



ESSE Engineering Limited

Long Ing Lane, Barnoldswick
Lancashire, BB18 6BJ

Website and On-line Store: www.esse.com