



Elise

Inset Convector Range



Installation Instructions

IMPORTANT

THE OUTER CASING, FRONT AND GLASS PANEL BECOME EXTREMELY HOT DURING OPERATION AND WILL RESULT IN SERIOUS INJURY AND BURNS IF TOUCHED. IT IS THEREFORE RECOMMENDED THAT A FIREGUARD COMPLYING WITH BS 8423 (LATEST EDITION) IS USED IN THE PRESENCE OF YOUNG CHILDREN, THE ELDERLY OR INFIRM.

Do not attempt to burn rubbish in this appliance. Please read these Instructions carefully before installation or use.

Keep them in a safe place for future reference and when servicing the fire.

The commissioning sheet found on page 3 of these instructions should be completed by the Installer.

PM1944.1.06.2021

CONTENTS

Elise Inset Convector Range

Covering the following models:

MODEL	WOOD		MULTI-FUEL	
	GLASS	STEEL	GLASS	STEEL
ELISE 540	ELS-540-GLW	ELS-540-W	ELS-540-GLMF	ELS-540-MF
ELISE 540T	ELS-540T-GLW	ELS-540T-W	ELS-540T-GLMF	ELS-540T-MF
ELISE 680	ELS-680-GLW	ELS-680-W	ELS-680-GLMF	ELS-680-MF
ELISE 850	ELS-850-GLW	ELS-850-W	-	-

Installation Instructions	4
Dimensions.....	5
Clearance to Combustibles.....	7
Essential Information.....	9
Pre-installation.....	10
Smoke Control Settings.....	16
Installation.....	17
Commissioning.....	28
Maintenance & Servicing	29
Servicing.....	29
Legal Requirements.....	33
Information Requirement - Solid Fuel.....	36
Exploded Parts.....	37
Service Records.....	39

APPLIANCE COMMISSIONING SHEET

To assist us in any guarantee claim please complete the following information:-

Dealer appliance was purchased from:

Name:

Address:

Telephone number:

Essential information - MUST be completed:

Date Installed:

Model Description:

Serial Number:

Installation Engineer:

Company Name:

Address:

Telephone number:

Commissioning Checks - to be completed and signed:

Is flue system correct for the appliance:	YES <input type="checkbox"/>	NO <input type="checkbox"/>
Flue swept and soundness test complete:	YES <input type="checkbox"/>	NO <input type="checkbox"/>
Smoke test completed on installed appliance	YES <input type="checkbox"/>	NO <input type="checkbox"/>
Spillage test completed	YES <input type="checkbox"/>	NO <input type="checkbox"/>
Use of appliance and operation of controls explained	YES <input type="checkbox"/>	NO <input type="checkbox"/>
Clearance to combustible materials checked	YES <input type="checkbox"/>	NO <input type="checkbox"/>
Instruction book handed to customer	YES <input type="checkbox"/>	NO <input type="checkbox"/>
CO Alarm Fitted	YES <input type="checkbox"/>	NO <input type="checkbox"/>
Flue draught Reading (Pa)	HOT <input type="text"/>	COLD <input type="text"/>

Signature: Print Name:

GENERAL INFORMATION

Installation

Registered Professional:

Before installation and/or use of this appliance please read these instructions fully and carefully to ensure that you have fully understood their requirements.

The appliance must be fitted by a registered installer, or approved by your local building control officer.

Structural Support:

If installing on a wooden floor check that the floor joists are strong enough to bear the weight of the insert, chimney and construction parts.

Hearth:

A Constructional Hearth with a depth of 125mm and a 12mm Decorative Hearth Plate must be installed to protect a combustible floor from the risk of falling embers if mounted directly on the floor.

The Decorative Hearth must extend 300mm in front of the appliance and can be made of natural stone, concrete, metal or glass.

Final inspection of the installation:

When it has been installed, the appliance must be commissioned in accordance with standards and practices to ensure full working order and a correct handover given to the customer.

Flue and Chimney

The flue or chimney system must be able to withstanding flue temperatures of up to 400°C.

The external diameter of the connection sleeve is 155mm.

In normal operating mode, draft in the chimney should be 20-25 Pa close to the connection sleeve. The draft is affected primarily by the length and area of the chimney and also by how well sealed it is.

The minimum recommended chimney length is 3.5m and a suitable cross-section area is 150-200cm² (140-160 mm in diameter).

Sharp bends and horizontal lengths in a flue pipe reduce the draft in the chimney.

It must be possible to sweep the full length of the flue, and the soot doors must be easily accessible.

Carefully check that the chimney is sealed and that there is no leakage of smoke from the connections.

Combustion Air Supply

When the appliance is installed, it is essential to ensure adequate air is supplied to the room. Air can be provided indirectly via a vent in the outer wall or via a duct from the outside that connects to the sleeve on the underside of the insert. The required volume of combustion air is about 20 m³/hour.

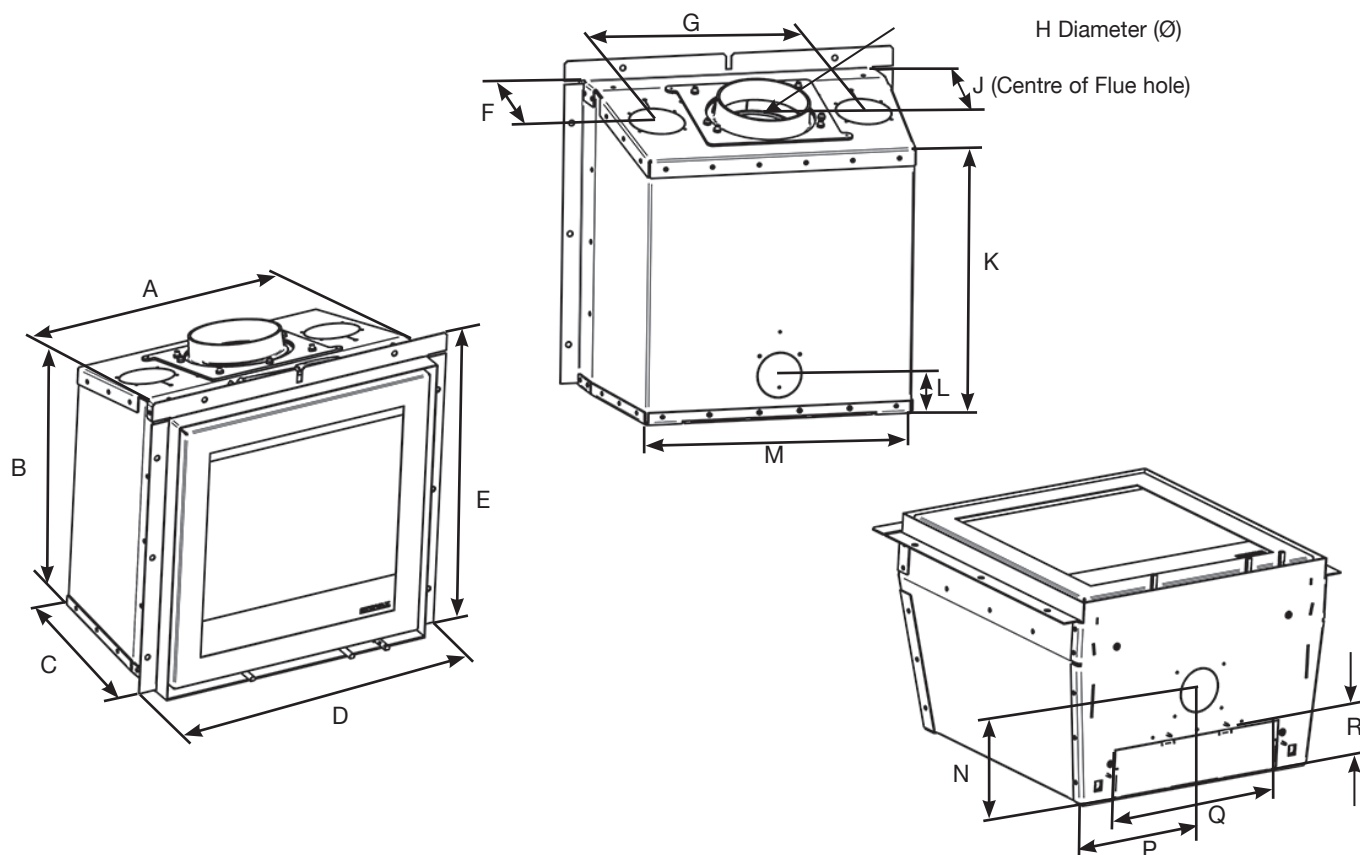
The outer diameter of the combustion air connection sleeve is 65mm.

If a pipe is longer than 1 m, its diameter must be increased to 100mm and a larger wall vent will be required.

In heated spaces, the flue must be insulated to prevent condensation using 30mm mineral wool covered with a vapour barrier. The hole in the wall (or floor) at the exit point must be properly sealed with flue jointing compound.

A flexible pipe to provide external directly into the appliance is available and must be fitted at the time of installation.

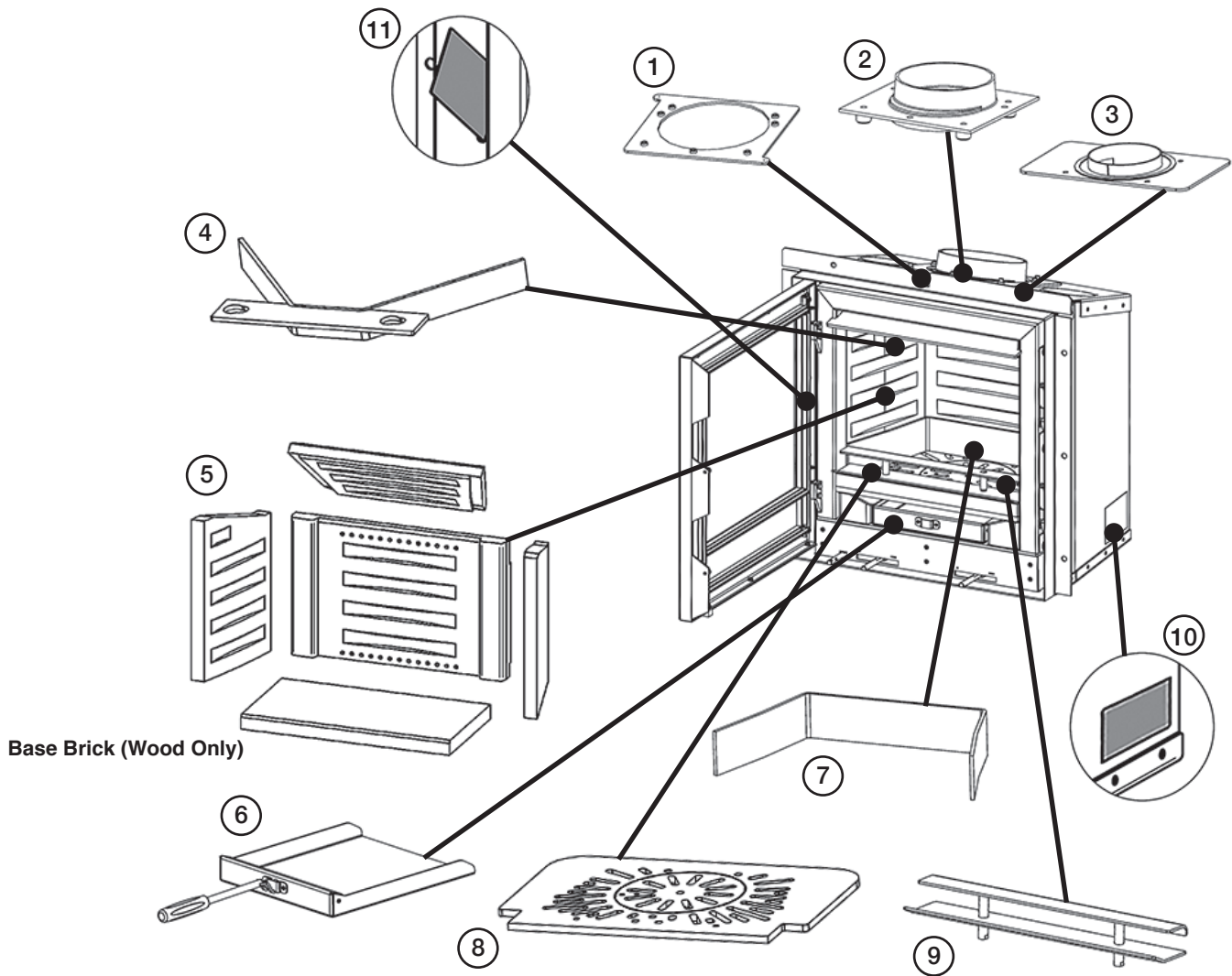
DIMENSIONS



	A	B	C	D	E	F	G	H	J	K	L	M	N	P	Q	R
ELISE 540	540	550	350	604	588	203	380	153 (6")	205	479	80	495	180	270	357	96.5
ELISE 540T	540	720	350	604	758	203	380	153 (6")	205	649	80	495	180	270	357	96.5
ELISE 680	680	550	395	744	588	250	440	153 (6")	250	479	80	635	180	340	357	96.5
ELISE 850	850	630	395	914	668	250	500	153 (6")	250	559	80	805	180	425	598	96.5

PARTS IDENTIFIER

540 SHOWN

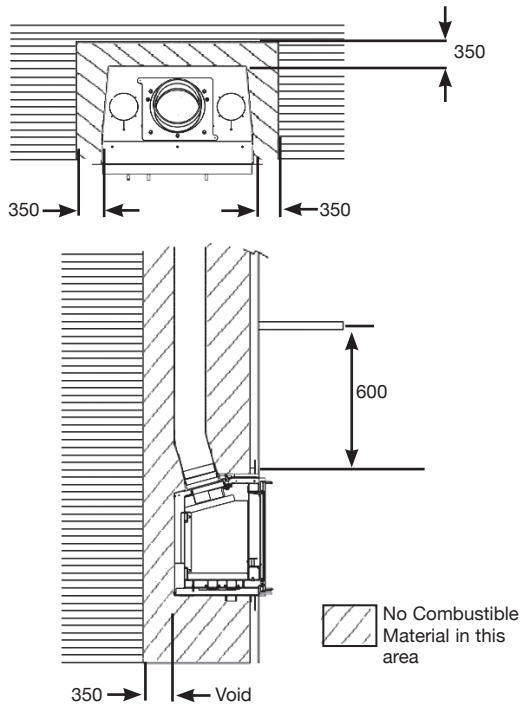


Base Brick (Wood Only)

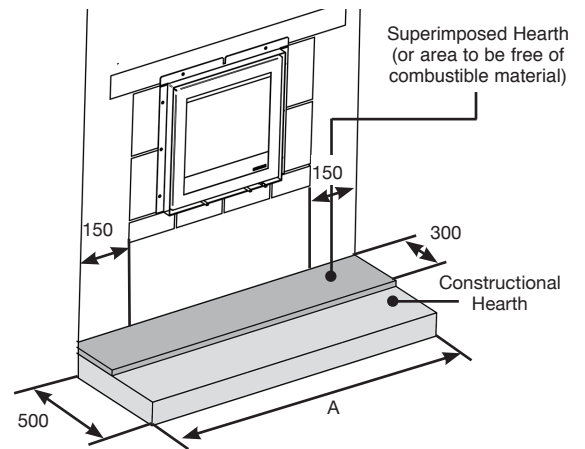
REF.	DESCRIPTION
1	Flue Collar Bracket
2	Top Flue Collar
3	Lower Flue Collar
4	Baffle
5	Firebricks
6	Ash Pan
7	Brick Protector (Multi-Fuel Only)
8	Riddling System (Multi-Fuel Only)
9	Log Guard
10	Data Plate 1
11	Data Plate 2

CLEARANCE TO COMBUSTIBLE MATERIAL

MINIMUM DISTANCE TO COMBUSTIBLE MATERIAL

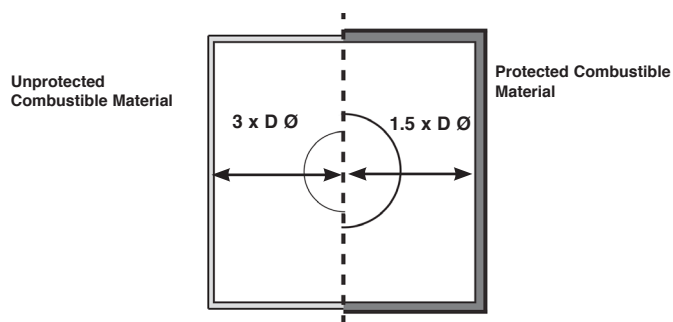


HEARTH DIMENSIONS



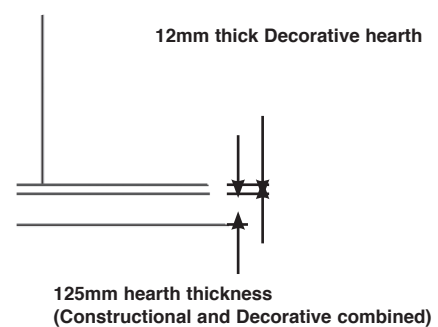
Dimension	A
Elise 540/540T Multi-fuel/ Wood	840
Elise 680 Multi-fuel/ Wood	980
Elise 850 Wood	1150

FLUE CLEARANCES



Stovax recommends that the depth of the Decorative Hearth is equal to or greater than the height of the appliance from the floor, OR, the length of the door from the wall when in the open position. USE WHICHEVER FIGURE IS GREATER.

HEARTH THICKNESS



If installed at a height above 600mm from the floor there is no need for a constructional hearth in front of the appliance.

OPTIONAL EXTRAS

The Elise has a number of optional extras to enhance the performance of the appliance. These need to be considered when planning the installation.

FAN KIT

This appliance can be fitted with an optional convection fan kit. The fan must be fitted at the time of installation. For installation and operating procedures you must refer to the instructions supplied with the fan kit.

WARM AIR DUCTING KIT

This appliance can be fitted with an optional Warm Air Ducting kit to help circulate warm air to other rooms in the house. This operation may require additional ventilation in order to comply with building regulations and a qualified installer should be consulted before fitting.

The Ducting kit must be fitted at the time of installation. For installation and operating procedures you must refer to the instructions supplied with the Warm Air Ducting kit.

DEDICATED EXTERNAL AIR SUPPLY KIT

The Stovax Elise has a dedicated air system that allows the supply of air directly to the appliance without the need for an air brick to be added to the room where it is installed for additional ventilation.

The design and use of a Dedicated External Air Supply is not currently covered by HETAS product approval, however may be installed if fitted and commissioned in accordance with the manufacturers instructions and Building Regulation compliance.

The Stovax Elise can be converted for use with a sealed dedicated external air supply by the addition of an optional kit - ask your retailer for details.

This innovative feature removes the need for a permanently open air vent into the room, eliminating draughts and improving heating efficiency.

IT IS IMPORTANT TO UNDERSTAND AND COMPLY WITH ANY ADDITIONAL COMMISSIONING REQUIREMENTS WHEN THIS KIT IS FITTED.

WOODBURNING CONVERSION KIT

The appliance can be fitted with an optional kit which aids Multi-Fuel stoves with the continual burning of wood. The kit focuses primary air to the centre of the appliance which helps to establish a flame and replicates the recommended conditions for burning wood.

For details on purchasing a Woodburning Conversion kit for this appliance contact your retailer

ESSENTIAL INFORMATION

GENERAL	Model: Elise 540 Wood Elise 540 Multi-fuel Elise 540T Wood Elise 540T Multi-fuel Elise 680 Wood Elise 680 Multi-fuel Elise 850 Wood									
			540 Wood	540 Multi-fuel	540T Wood	540T Multi-fuel	680 Wood	680 Multi-fuel	850 Wood	
	Nominal Heat Output	Wood	kW	5.0	5.0	5.0	4.8	7.6	7.5	9.1
		Solid Fuel	kW	N/A	5.0	N/A	5.0	N/A	8.4	N/A
	Efficiency	Wood	%	80.6	79.6	77.1	76.3	76.6	76.4	75.6
		Solid Fuel	%	N/A	83.0	N/A	79.4	N/A	79.6	N/A
	CO @ 13% O ₂	Wood	%	0.09	0.10	0.11	0.09	0.08	0.13	0.12
		Solid Fuel	%	N/A	0.09	N/A	0.07	N/A	0.06	N/A
	Weight		Kg	92	102	108	120	119	138	153
	Recommended Fuels	Wood	Seasoned Wood (less than 20% moisture content)							
Solid Fuel		Briquette smokeless fuel suitable for closed appliances (Ancit-Phuracite-Maxibrite-Taybrite-Homefire Ovals)								

As tested to the requirements of EN 13229 for intermittent operation

FLUES	Flue/Chimney size	With Liner of Factory made system (diameter) installed in accordance with manufacturers instructions	mm	153	153	153	153	153	153	153
			inch	6	6	6	6	6	6	6
	Flue/Chimney minimum height**	All products **must be 4.5m from the hearth to the top of the flue, with no horizontal sections and a maximum of 4 bends. Bends must have angles of less than 45 degrees from the vertical.	m	4.5	4.5	4.5	4.5	4.5	4.5	4.5
			feet	15	15	15	15	15	15	15
	Flue Draught	Min	Pa	10	10	10	10	10	10	10
		Nominal		12	12	12	12	12	12	12
		Max		20	20	20	20	20	20	20
	Flue Gas Mass Flow	Wood	g/s	4.3	4.6	4.9	4.8	6.3	6.0	7.4
	Average Flue Gas Temperature	Wood	°C	273	279	284	287	321	347	334
		Solid Fuel	°C	N/A	282	N/A	262	N/A	347	N/A
Flue Outlet Size (Top Option)	All	mm	153	153	153	153	153	153	153	
		inch	6	6	6	6	6	6	6	

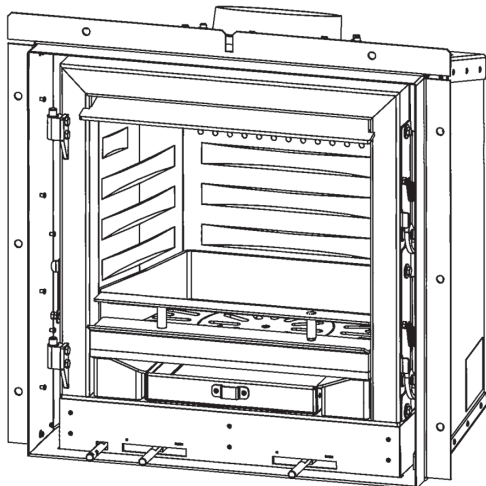
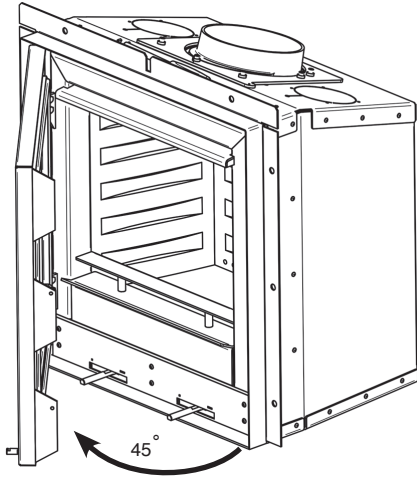
European Min Spec for Chimney Flue - T400 N2 D 3 G50

VENTILATION	A) Traditionally Built Homes		B) Modern Construction Homes							
	• Where leakage is greater than 5m ³ /hour/m ² .		• Where leakage is less than 5m ³ /hour/m ² .							
	• Ventilation normally required = 550mm ² per kW output over 5kW		• Ventilation normally required = 550mm ² per kW							
	A	Additional Ventilation	mm ²	N/A	N/A	N/A	N/A	1430	1870	2255
			cm ²	N/A	N/A	N/A	N/A	14.3	18.7	22.6
			in ²	N/A	N/A	N/A	N/A	2.2	2.9	3.5
	B	Additional Ventilation	mm ²	2750	2750	2750	2750	4180	4620	5005
			cm ²	27.5	27.5	27.5	27.5	41.8	46.2	50.1
			in ²	4.4	4.4	4.4	4.4	6.5	7.2	7.8

PRE-INSTALLATION

To make the installation of the appliance easier it is best to remove the internal components before fitting into the builders opening. For the best results removing the following components as set out below.

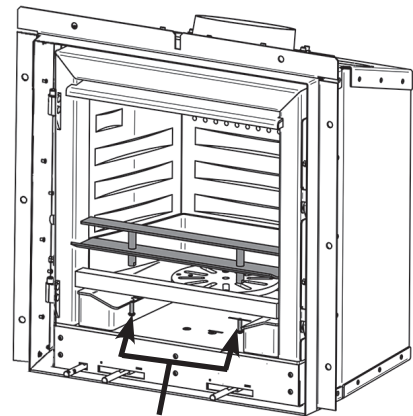
DOOR



LOG GUARDS

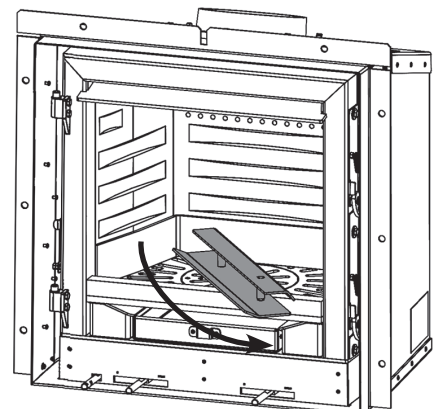
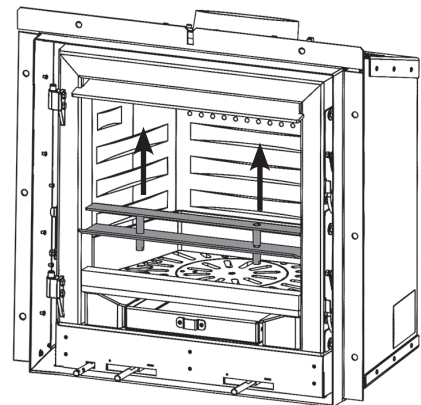
Multi-Fuel

On Multi-fuel models the log guard is secured by 2 screws located in the underside of the grate



Screw positions (Multi-fuel only)

All Models



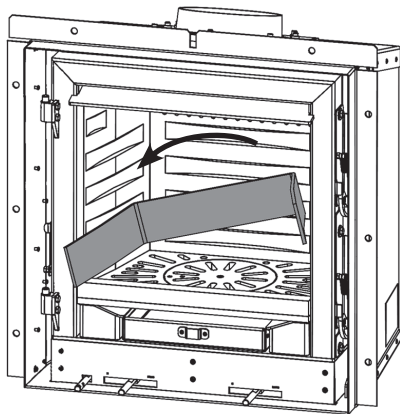
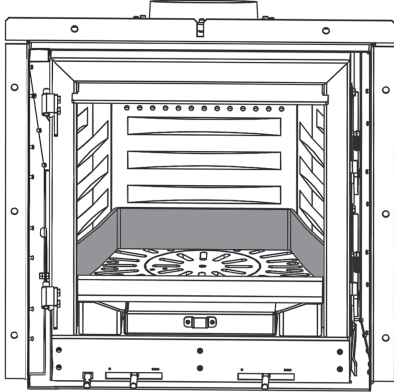
Do not use appliance without the log guard in position.

FIREBRICKS

Allow the appliance to cool fully before removing.

Multi-fuel Models Only

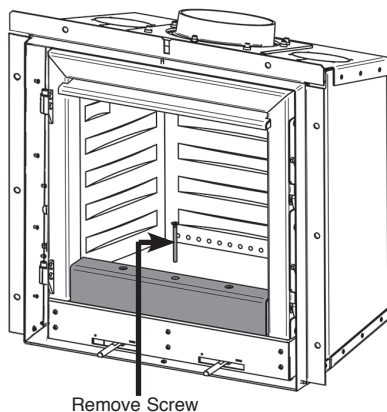
Before removing the firebricks, the brick protector must be removed. Lift up one side and angle out of firebox taking care not to damage the firebricks,



Wood Models Only

If the base/rear brick is difficult to remove it is possible to remove the ash retainer.

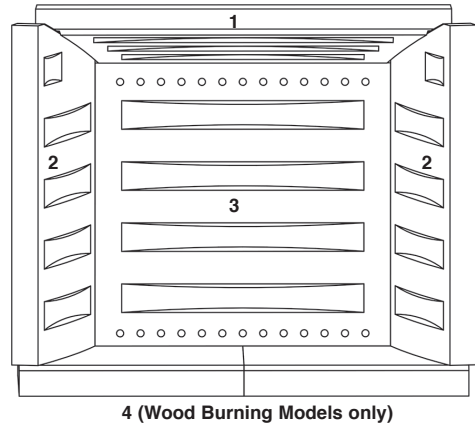
Use an Allen key to remove the countersunk screw.



The bricks must be removed in the following order:

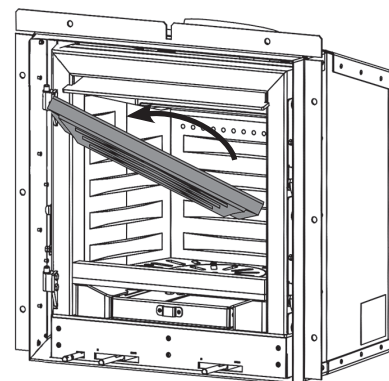
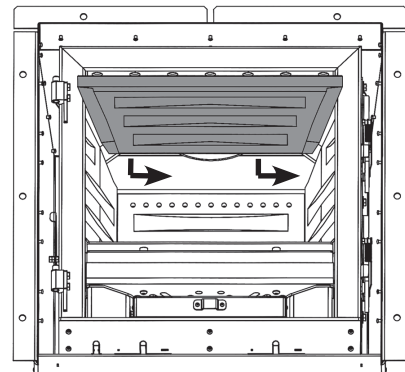
1. Top Baffle Brick
2. Sides
3. Rear
4. Base (Wood burning models only)

NOTE: For 540T models the rear brick is in two pieces.



Wood
Burning
Version
Shown

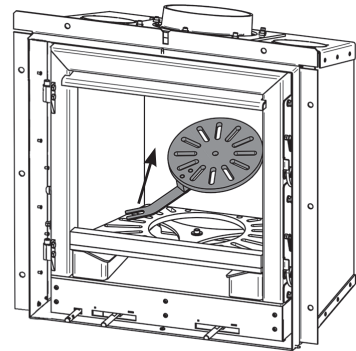
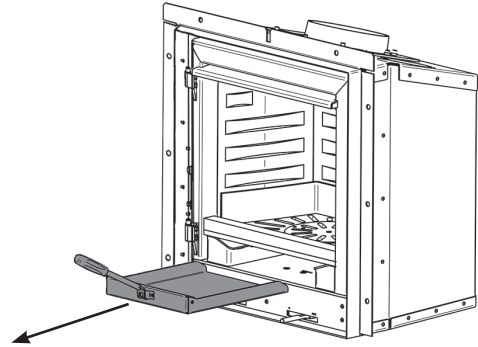
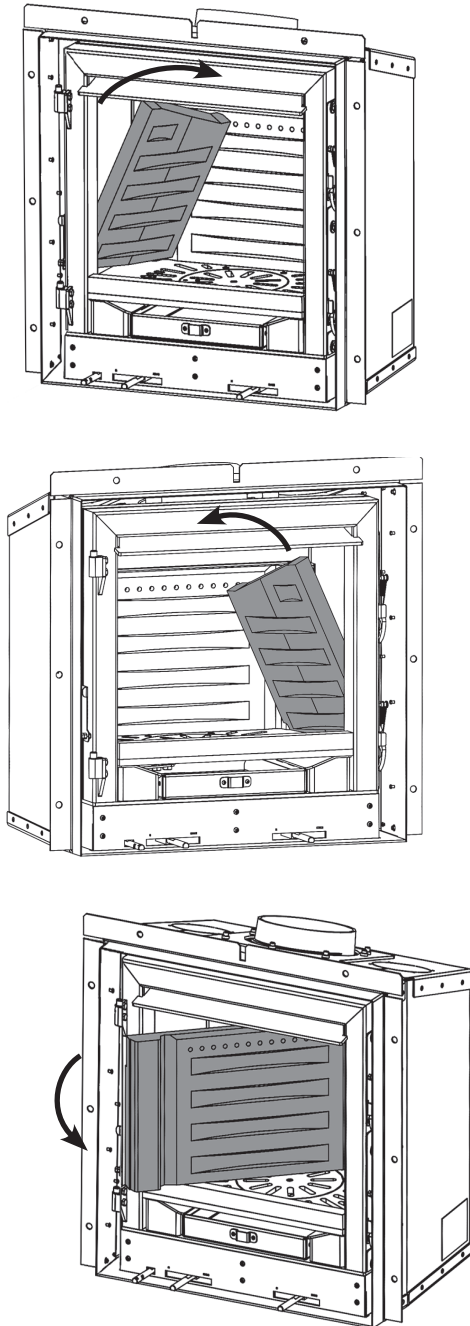
Pull the top baffle brick forwards towards the door and then slide the brick to one side.



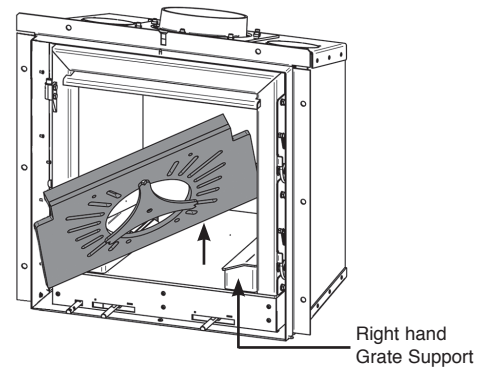
REMOVAL OF THE RIDDLING SYSTEM

The Riddling Mechanism can be removed for cleaning to maintain good working condition.

To remove Riddling Mechanism:



Note: It may be easier to remove the right hand grate support first.



Wood Burning Models

Wood burning models have base bricks at the bottom of the firebox.

Once the other bricks have been removed these can be lifted up and out angling through the door opening.

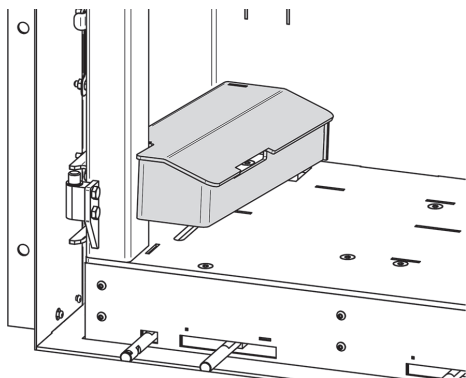
Note: The 540/ 540T/ 680 models have 2 base bricks.
The 850 model has 3 base bricks.

Replace in reverse order.

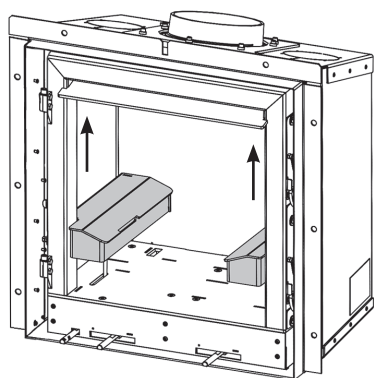
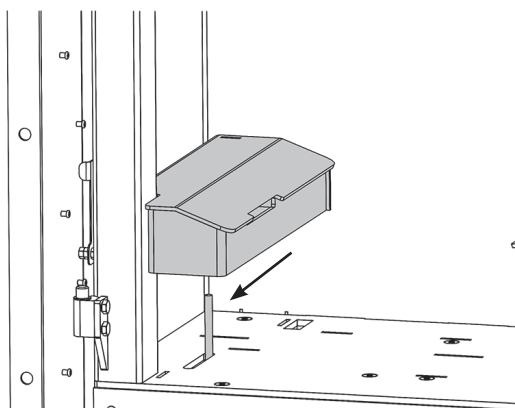
Multi-fuel Models

Multi-fuel versions do not have a base brick, the bricks sit on the top of the main grate.

Lift the side grate supports off the base of the firebox.



Note: When removing the left hand support lift vertically and take care not to damage the protruding riddling rod underneath.



Replace the multi-fuel kit in the reverse order from removal.

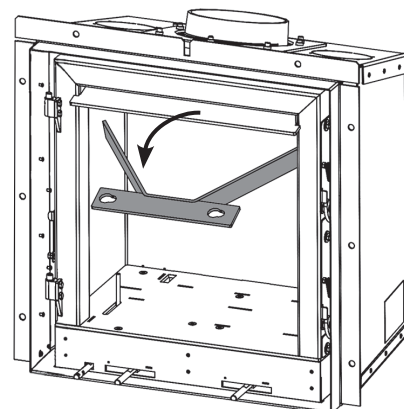
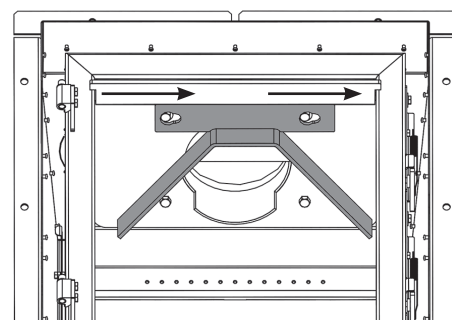
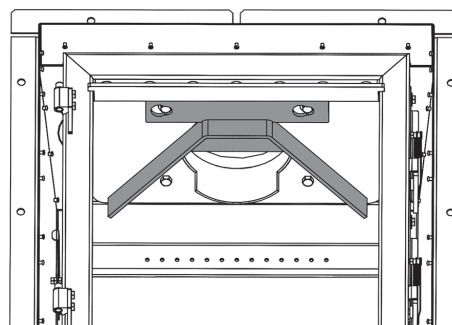
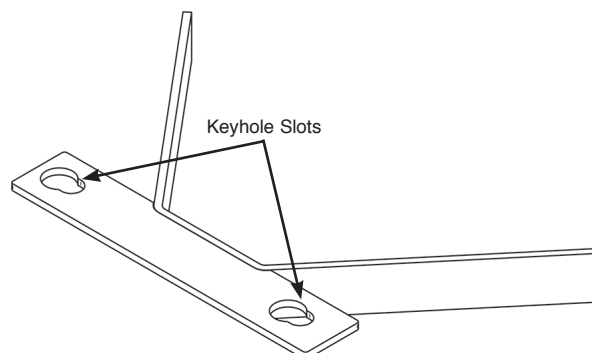
Note: When replacing centre grate, ensure the centre grate arm slot locates fully into riddling rod protruding underneath Left Hand grate support. The Arm must be fed through slot in Left Hand arm grate support.

The grate must sit flat on the side supports, with no debris trapped under it. Check that the centre grate sits flat and rotates freely with no debris trapped under it.

BAFFLE

The appliance is fitted with a metal baffle in the top of the firebox to maintain efficient combustion.

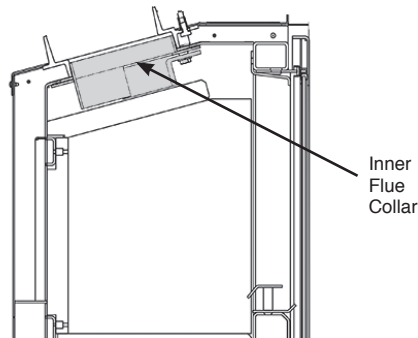
These models have a single section baffle.



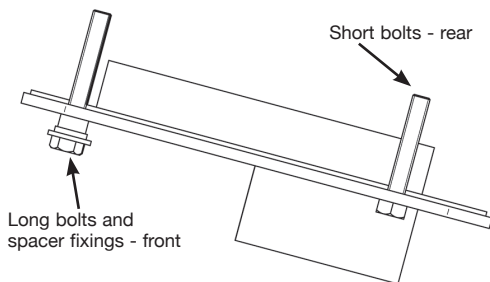
SEPARATE THE INNER & OUTER BOX

To protect the delicate parts of the appliance, the product has been designed so that the inner box can be removed from the outer box.

First remove the inner collar.

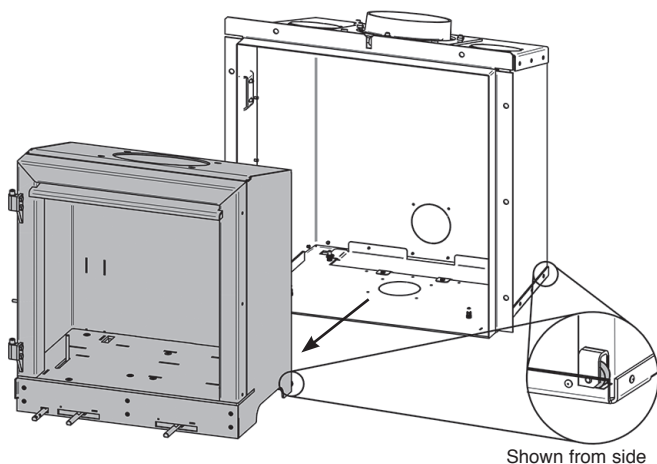


To remove the Inner Collar use a 13 A/F spanner or socket for the 4 bolts and 2 spacers.



The inner box can now be slid out of the outer box.

There is a roller assembly at the rear which is located in cutouts on the outer box.

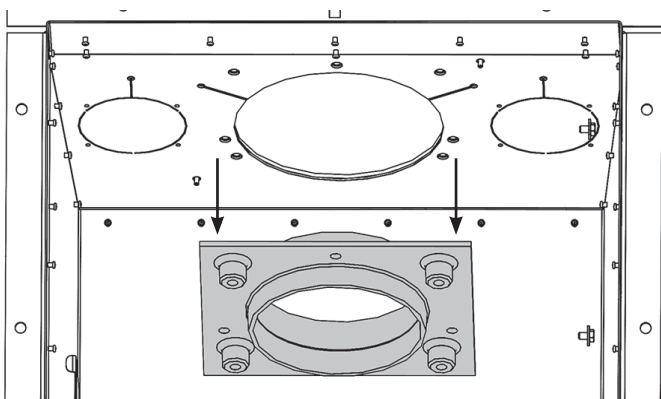
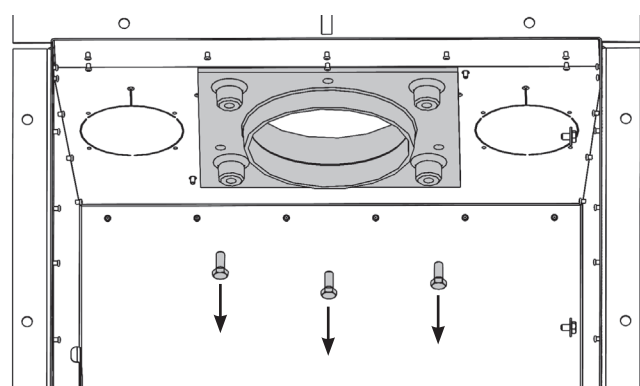
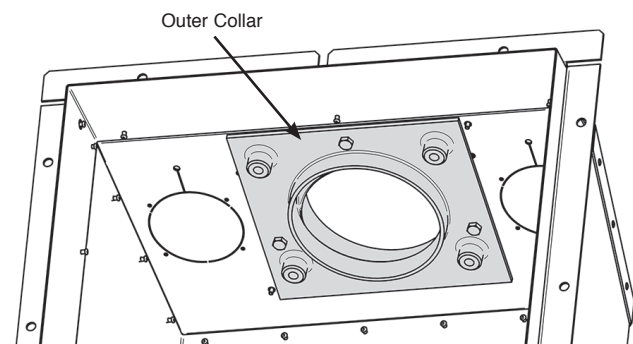


Pull the inner box carefully forward to release from the cutouts. It should now slide out of the outer box. This will require at least two people.

NOTE: The sliding mechanism can be stiff on initial use or if debris has been allowed to build up during usage. Ensure the outer box is cleaned thoroughly as part of regular maintenance.

REMOVAL OF OUTER COLLAR

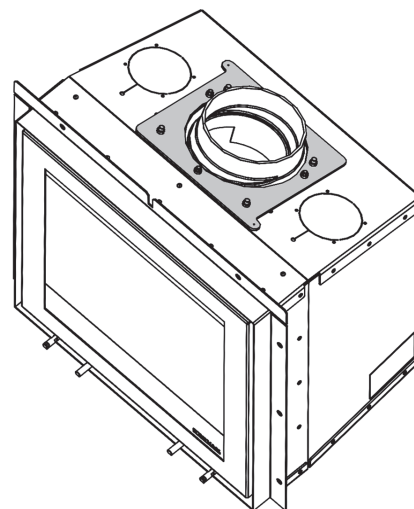
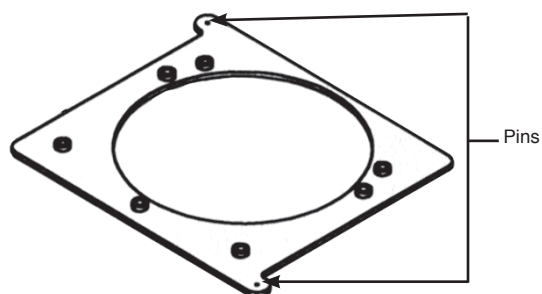
Before installation it will be necessary to remove the Outer Collar from the Outer Box.



There is a Flue Collar Bracket on top of the Outer Box.

This locates on two pins that allow flexibility when positioning the Outer Collar.

The bracket remains in place when installing the flue system.



If the optional fan is to be fitted, remove the fan cover in the base of the outer case. This cannot be removed after the outer case has been installed. Full instructions are included with the fan (PM1240).

The Elise comes with a number of optional extras including Convection Fan kit, Dedicated Outdoor Air and warm air ducts. These must be fitted prior to attempting to install the Inner Box.

Consult the instruction manual provided with each option thoroughly and carefully, as use of this product will affect the installation method of the Elise.

SMOKE CONTROL AREA SETTINGS

This section applies to the Elise products listed:

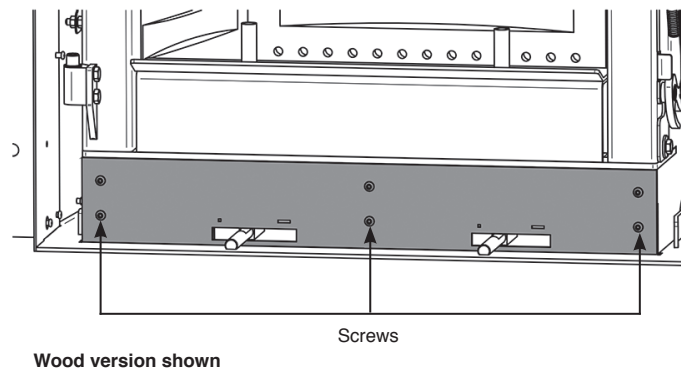
Product Code	Appliance
RA503992	Elise 540 Wood
RA503993	Elise 540 Multi-fuel
RA504319	Elise 540T Wood
RA504320	Elise 540T Multi-fuel
RA503999	Elise 680 Wood
RA504000	Elise 680 Multi-fuel

The Elise models listed are supplied with a Smoke Control Kit and have been independently tested to PD6434 making them exempt from the controls that generally apply in Smoke Control Areas.

These models are suitable for use in a Smoke Control Area when burning wood and following the instructions for use specified in this manual but **ONLY** if the Smoke Kit has been fitted.

If fitted, the Smoke Control kit is attached to the front of the appliance via 6 screws. The door must be carefully removed to take off the supplied panel and fit the Smoke Control plate.

Take care when manoeuvring over the air controls and riddling handle (multi-fuel version only).



This will limit the movement of the Air Controls to ensure the appliance operates in a manner that conforms to the emissions standards for a Smoke Control Area.

To meet the requirements of a Smoke Control Area the appliance **MUST** be operated correctly in order to minimise the amount of smoke produced.

These instructions must be left with the User.



MODIFICATION WILL NEED TO BE CARRIED OUT PRIOR TO INSTALLATION OF THE APPLIANCE.

Do not operate with the firebricks removed.

INSTALLATION

Each installation is unique to the property so it is not possible to give details to suit every setting. The installation must comply with Building Regulations and be made using "best practice" construction methods.

Care must be taken when creating a builders opening. Pay careful attention to the distance to combustible materials recommended and ensure the housing for the appliance is built from non-combustible material.

Many fireplace openings have a supporting lintel. Do not remove without supporting the remaining structure of the building. **Do not support the structure with the appliance or the flue system.**

Take care when installing the appliance. Careless handling and use of tools can damage the finish and/or area.

There are two types of installation for this appliance:

Masonry Installation

- with a Frameless Edge finish.
- with a Decorative Frame

A Decorative Frame will require the attachment of a subframe in addition to the installation of the outer box. Please carefully read the relevant installation section in conjunction with the Frame fitting Instructions (PM1237).

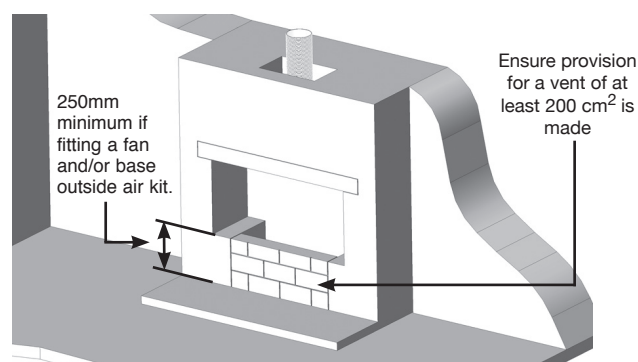
FITTING TO A MASONRY CHIMNEY

Many fireplace openings have a supporting lintel. Do not remove without supporting the remaining structure of the building.

Do not support the structure with the appliance or the flue system.

Stovax recommend the use of a flue liner when installing into a masonry chimney. Alternative methods can be used if the chimney is sound and correctly sized, however access may be required to make an effective seal - ie using a sump adapter.

Important Note: If you plan to install an optional fan kit preparation must be made for the installation of wiring and sockets.

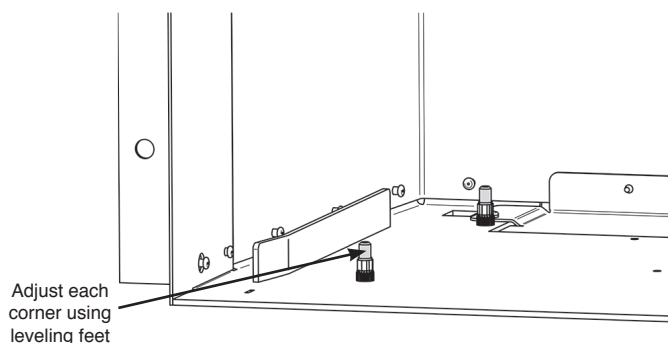


FITTING WITH AN EDGE FINISH

The Elise is supplied with a Frameless Edge finish as part of the outer box and does not require any additional modifications for this method of installation.

The outer box can be slid into the chimney opening and fitted.

The position of the box can now be improved within the builder's opening by adjusting the four levelling feet to ensure it sits firm and level at all four corners.



Wind the set screws down to the desired position in each corner.

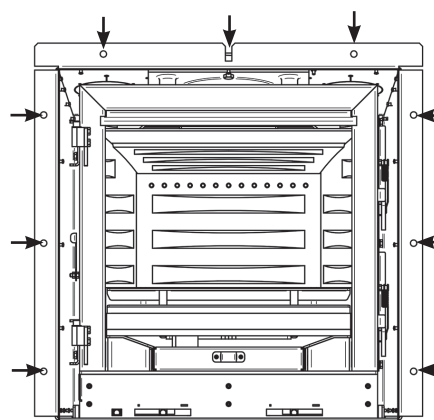
This appliance MUST be securely fixed in position to support the door when opened.

There are several options to do this.

Through the appliance flange

Secure the appliance through the fixing holes on the outer box flange, see Diagram.

Depending on the model size and condition of the opening fixing the appliance in a minimum of all four corners is required for adequate security.



OR

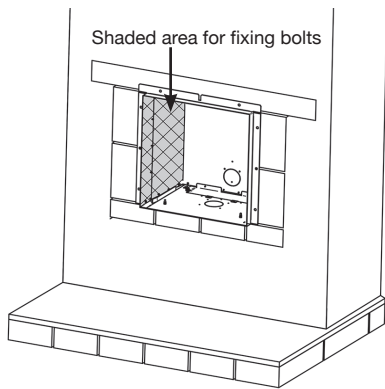
Through the outer box

Secure the outer box through the sides using M6 or M8 bolts. There must be at least two bolts in the outer case - one in either side. Check the security of these fasteners before proceeding to fit the inner box.

These bolts must not interfere with the installation of the inner box.

The fixings may be positioned by drilling through the sides of the outer box and fixing within the shaded area shown in the Diagram.

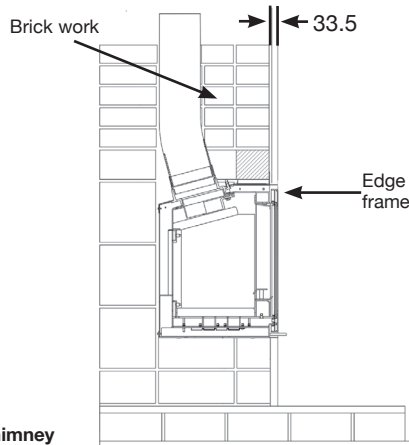
Do not over tighten and deform the outer box.



Connect the flue system, see Flue Section.

Fit non-combustible board to masonry and leave enough room for the final skim of heat resistant plaster.

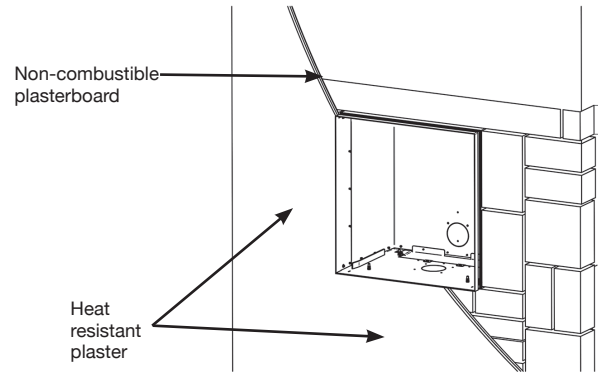
The depth of the Edge flange will be approximately 33.5mm. To ensure a flush finish the non-combustible board and the final plaster skim must add up to 33.5mm.



Standard plasterboard is not suitable.

This should extend a minimum of 600mm to the sides and above the appliance.

Apply a heat resistant plaster finish to at least 900mm above and 400mm to the sides of the chimney breast, making sure it is not too thin or it will crack.



Finish installing any optional extras and fit the Internal Components as required.

FITTING WITH A DECORATIVE FRAME

To fit the Elise with a Decorative Frame a subframe must be fitted prior to installation - please read this section in conjunction with the frame fitting instructions (PM1237).

Finish the chimney breast as desired.

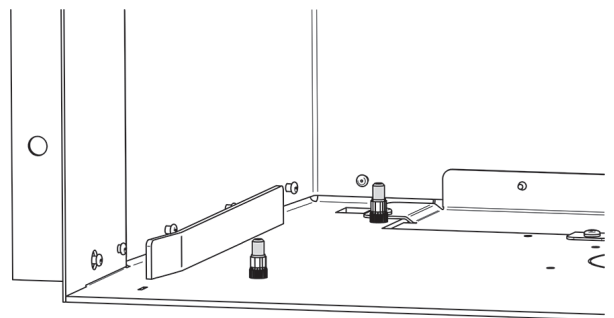
Depending on the choice of decorative frame there are two methods of fixing the appliance to the opening, See relevant section.

PROFIL (3 & 4 SIDED) AND EXPRESSION FRAMES

The subframe fits **behind** the outer box flange against the wall so must be installed at the same time as the outer box - Provision must be made to allow for the sub-frame fixings, see PM1237.

The outer box can be slid into the chimney opening and fitted.

The position of the box can now be improved within the builder's opening by adjusting the four levelling feet to ensure it sits firm and level at all four corners.



Wind the set screws down to the desired position in each corner.

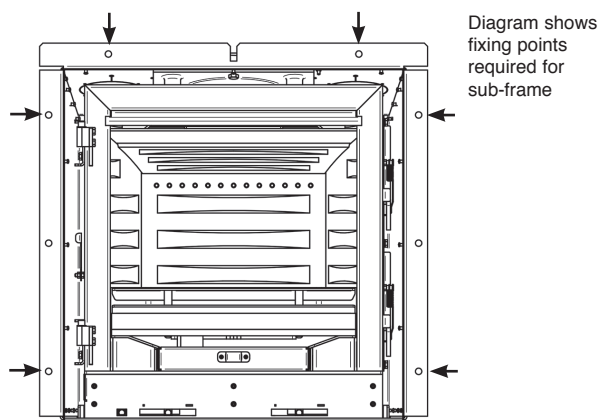
This appliance MUST be securely fixed in position to support the door when opened.

There are several options to do this:

Through the Appliance Flange

If the condition of the opening is good enough, the outer box can be secured through the sub-frame fixings and the outer box flanges, see Diagram.

Depending on the model size and condition of the opening fixing the appliance in a minimum of all four corners is required for adequate security.



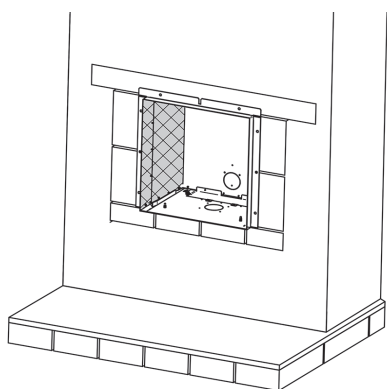
Through the outer box

Secure the outer box through the sides using M6 or M8 bolts. There must be at least two bolts in the outer case - one in either side. Check the security of these fasteners before proceeding to fit the inner box.

These bolts must not interfere with the installation of the inner box.

The fixings may be positioned by drilling through the sides of the outer box and fixing within the shading area of the Diagram below.

Do not over tighten and deform the outer box.

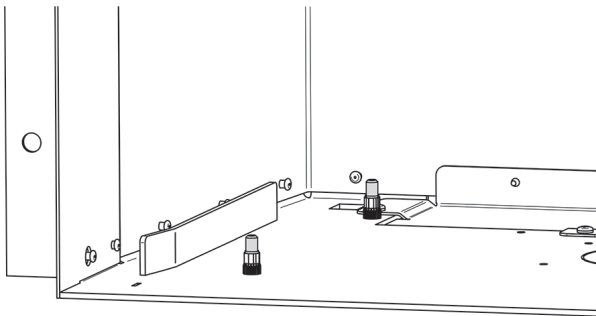


EVOKE FRAMES

The sub-frame sits in front of the outer box flanges and installation of the frame must be considered at the same time as the outer box. Provision must be made to allow for the sub-frame fixings, see PM1237.

The outer box can be slid into the chimney opening and fitted.

The position of the box can now be improved within the builder's opening by adjusting the four levelling feet to ensure it sits firm and level at all four corners.



Wind the set screws down to the desired position in each corner.

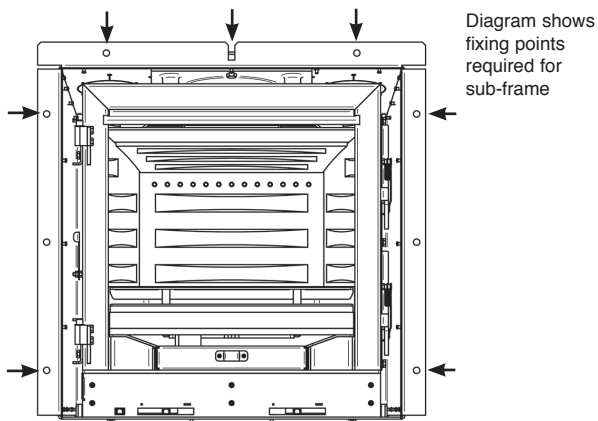
This appliance MUST be securely fixed in position to support the door when opened.

There are several options to do this:

Through the Appliance Flange

If the condition of the opening is good enough, the outer box can be secured through the sub-frame fixings and the outer box flanges.

Depending on the model size and condition of the opening fixing the appliance in a minimum of all four corners is required for adequate security.

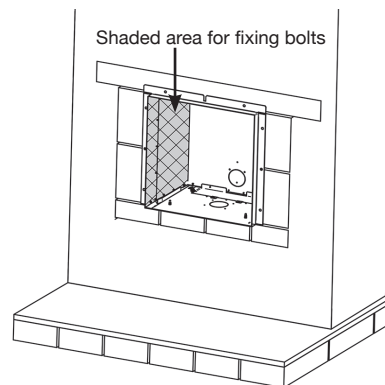


OR

Through the outer box

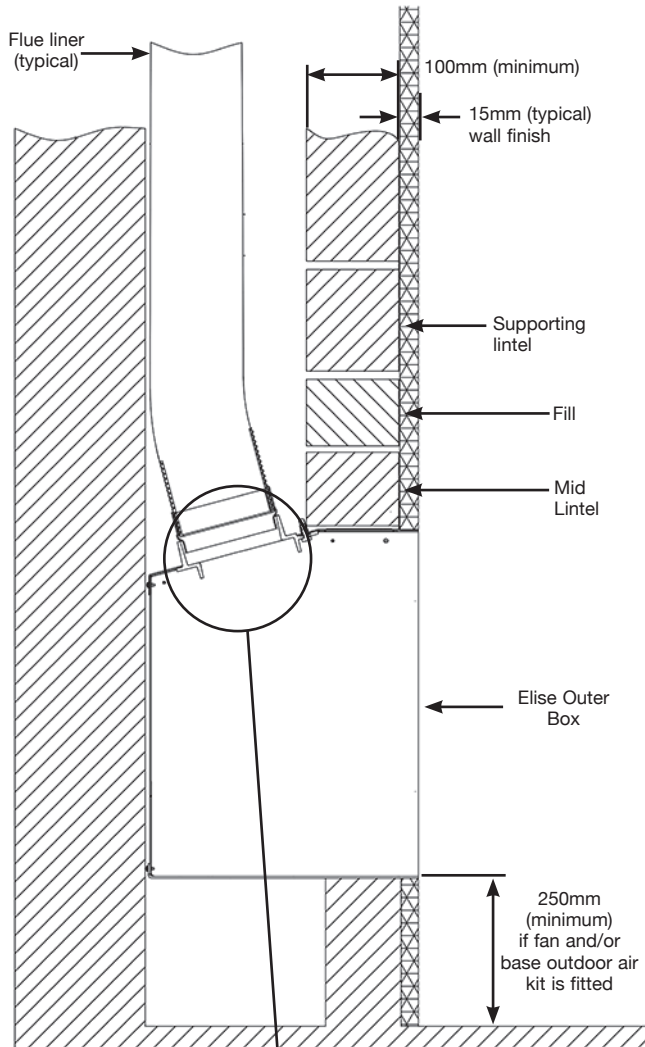
Secure the outer box through the sides using M6 or M8 bolts. There must be at least two bolts in the outer case - one in either side. Check the security of these fasteners before proceeding to fit the inner box. These bolts must not interfere with the installation of the inner box.

The fixings may be positioned by drilling through the sides of the outer box and fixing within the shaded area shown in the diagram below. Do not over tighten and deform the outer box.



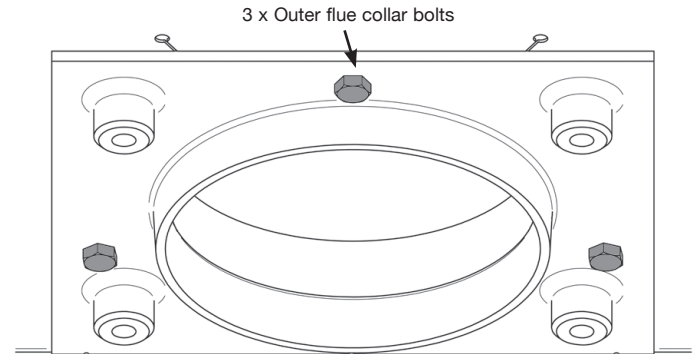
FLUE ASSEMBLY

The flue liner can now be lowered through the outer box and connected to the outer flue collar using a suitable flexible flue liner adaptor. Make sure that these joints are secured using suitable stainless steel fasteners and sealed with fire cement.

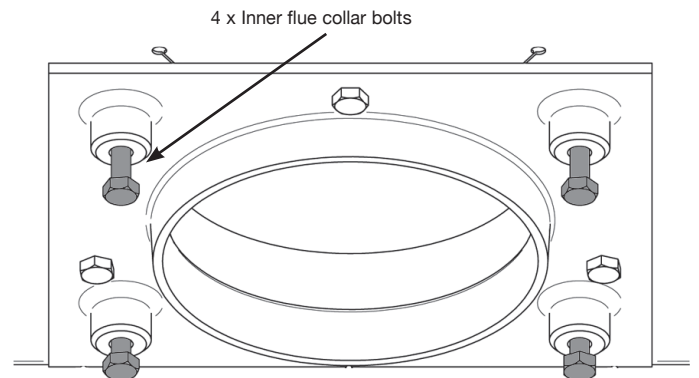


REFITTING THE FLUE COLLARS

Push / pull the flue liner back up into the flue. Secure the outer collar to the Flue Collar Bracket using the 3 x bolts, ensuring they are finger tight only.



To ensure the outer collar is central, and **to avoid cross threading of the bolts** during actual installation, feed the 4 bolts used to secure the inner collar into the holes in the outer collar as shown below. The bolts should be finger tight only. Do not force the bolts. If they are not easily located remove them and loosen the 3 x bolts holding the outer collar to allow for adjustment.



Once the 4 x bolts have been successfully located in the holes tighten the 3 x bolts securing the outer collar in place to create a good seal. **Do not over tighten the bolts.**

Remove the 4 x bolts and put them to one side until needed.

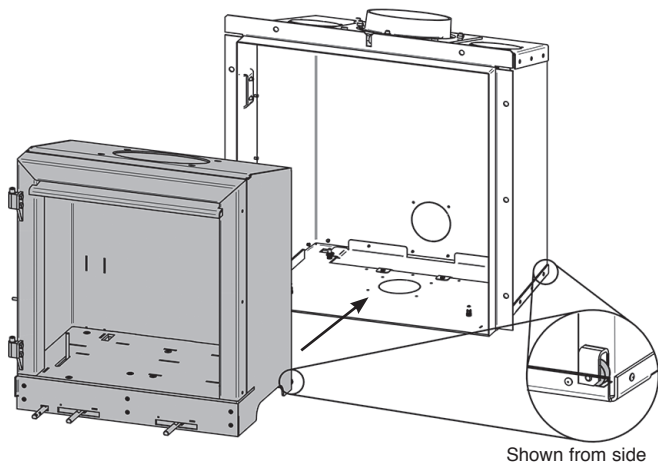
NOTE: The flue liner must be supported in accordance with the manufacturers instructions, there should be no weight on the Outer Box.

Slide the inner box into the outer box.

There is a roller assembly at the rear of the inner box which locates in cutouts in the base of the outer box.

NOTE: The sliding mechanism can be stiff on initial use or if debris has been allowed to build up during usage. Ensure the outer box is cleaned thoroughly as part of regular maintenance.

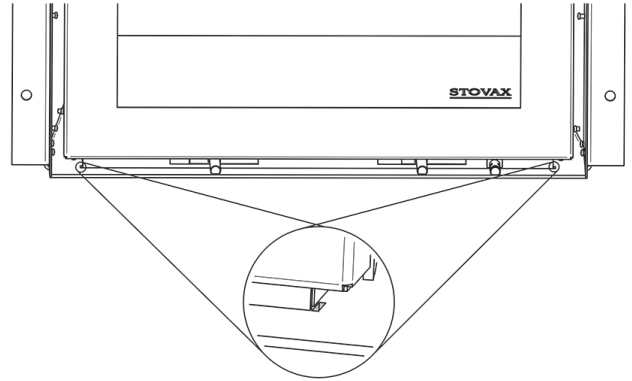
This will require 2 people.



Ensure that the front of the inner box is parallel to the outer box and positioned correctly from left to right against the alignment markers on the outer box base, see Diagram. Adjust the position until correct and then fully tighten the 4 bolts.

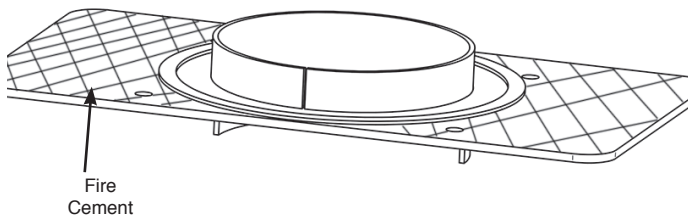
Do not over tighten.

NOTE: When correctly installed the front face of the door will be level with the outer box edge frame.



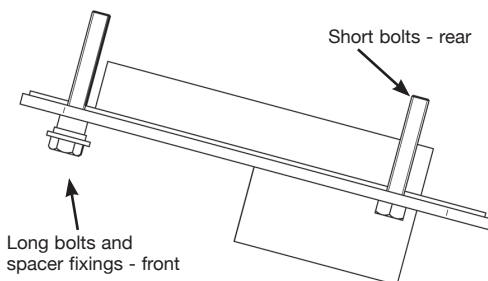
Apply fire cement to the faces shown prior to fitting the inner collar.

Inner Flue Collar



Fit the inner flue collar using the 4 bolts ensuring the 2 longer bolts are at the front with the spacer fixing.

All bolts must be finger tight only at this stage.

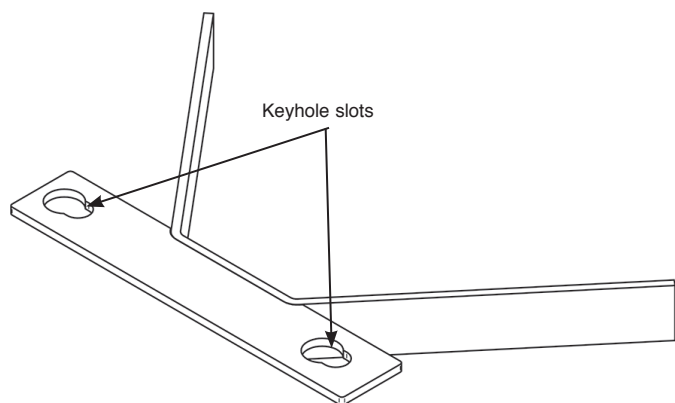


FITTING OF INTERNAL COMPONENTS

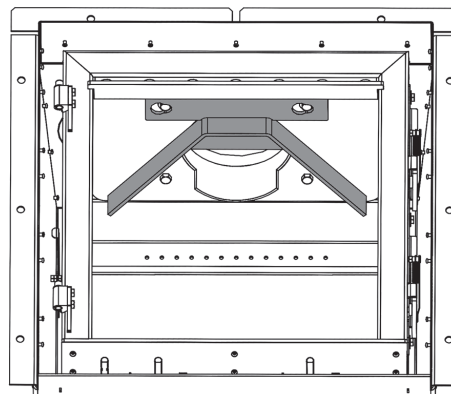
Once the inner box has been installed the internal components can be fitted.
The baffle must be fitted before the other components.

BAFFLE

The appliance is fitted with a metal baffle in the top of the firebox to maintain efficient combustion.



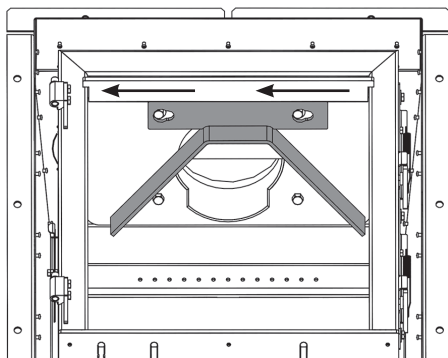
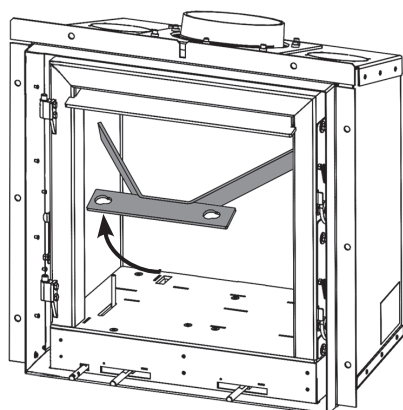
All Models



Lower the baffle to secure in place.

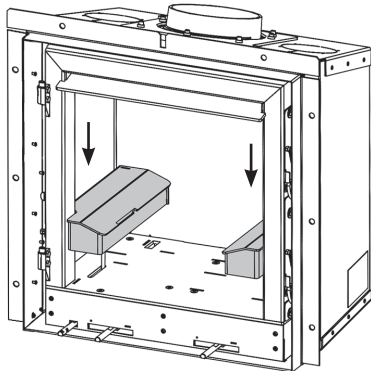
The baffle system is designed to give safe and efficient operation of the appliance. Replace damaged baffles immediately.

Do not modify the baffle system.
Do not operate with the baffle system removed.

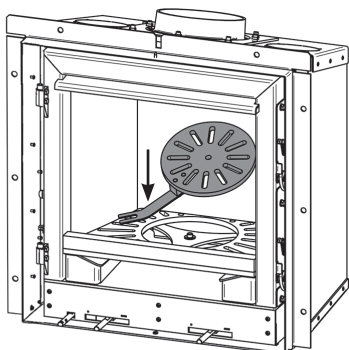
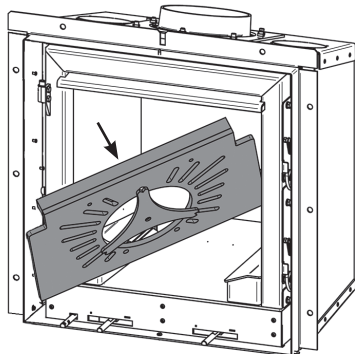
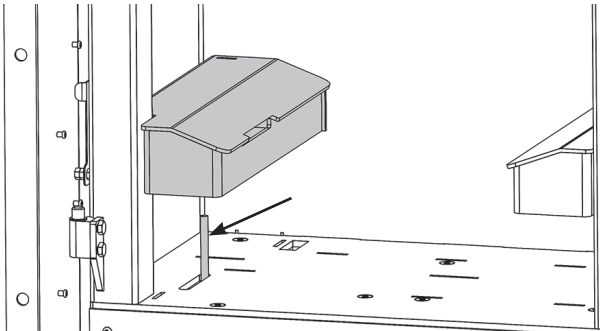


FITTING THE RIDDLING MECHANISM

To refit the Riddling Mechanism:



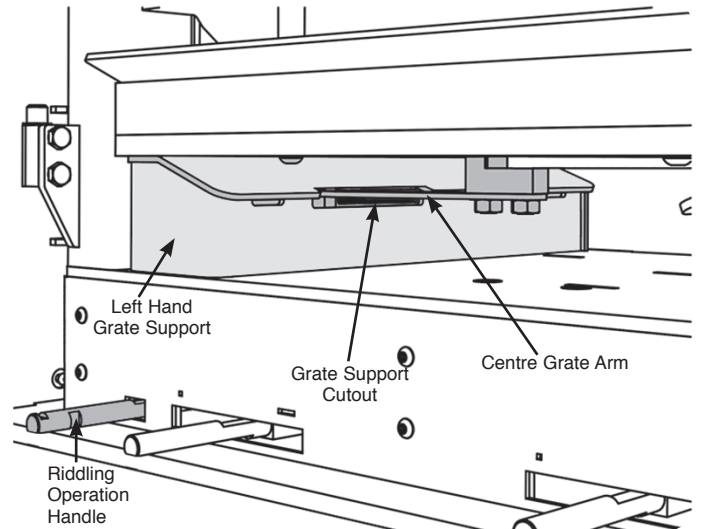
Note: Take care to clear the protruding upright riddling rod on the left hand side.



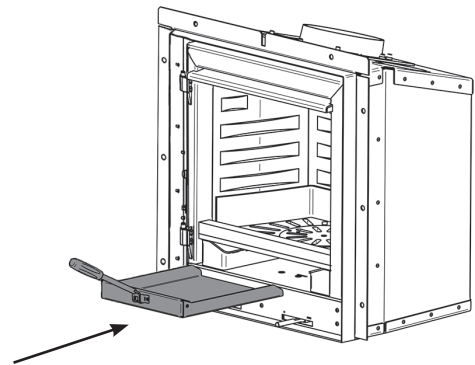
The centre grate arm has a slot in the end in order to fit the mechanism.

The centre grate arm must be fed through the cutout in the left hand grate support.

Position the riddling mechanism operation handle so that the slot in the centre grate arm fits around the upright riddling rod on the front of appliance.



This may require some trial and error to ensure the grate arm is secured in position. Test the mechanism to ensure that the grate moves freely when operated via the riddling handle.



The grate must sit flat on the side supports, with no debris trapped under it. Check that the centre grate sits flat and rotates freely with no debris trapped under it

FIREBRICKS

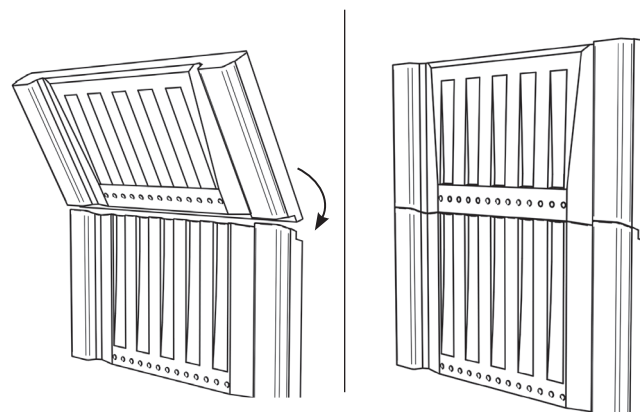
The bricks must be fitted in the following order:

1. Base (Wood burning models only)
2. Rear
3. Sides
4. Top Baffle Brick

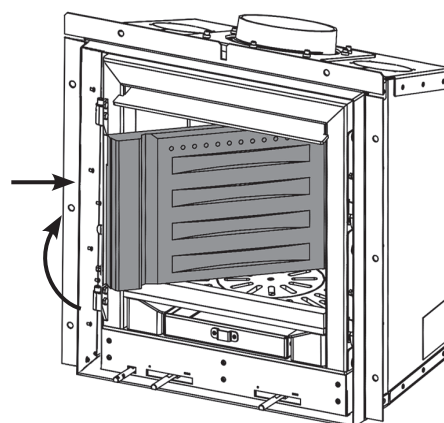
NOTE: For 540T models the rear brick is in two pieces.

Fit the lower half of the brick into the base.

Angle the top half so they interlock and press firmly against the rear of the firebox.



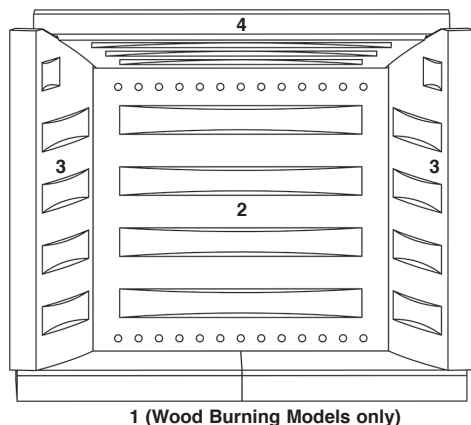
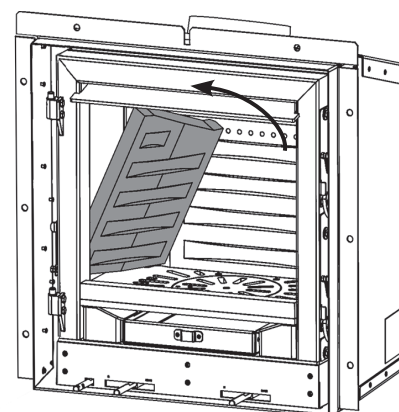
Rear Brick - All Other Models



Note: A torch may be required to do this.

All Models

The side bricks can now be fitted by locating the front edge behind the metal box section and then angling the back edge into the rear brick location slot.



Wood
Burning
Version
Shown

1 (Wood Burning Models only)

Wood Burning Models

Wood burning models have base bricks at the bottom of the firebox. Angle through the opening and carefully lower the base bricks into position.

**Note: The 540/ 540T/ 680 models have 2 base bricks.
The 850 model has 3 base bricks.**

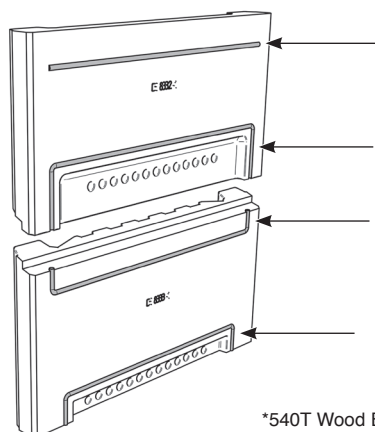
Multi-fuel Models

Multi-fuel versions do not have a base brick. The bricks sit on top of the main grate.

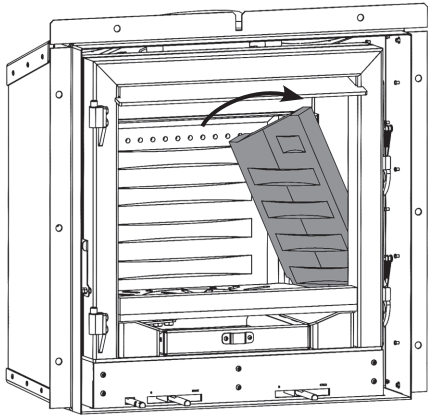
To fit the grate see Fitting the Riddling Mechanism.

Rear Brick - 540T Models Only

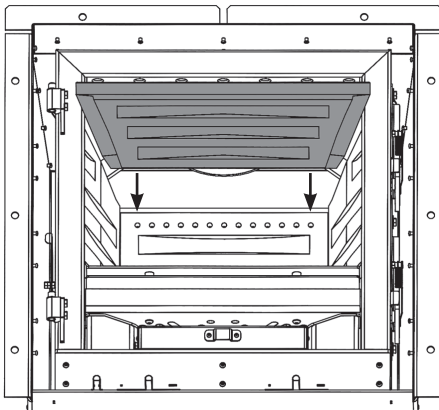
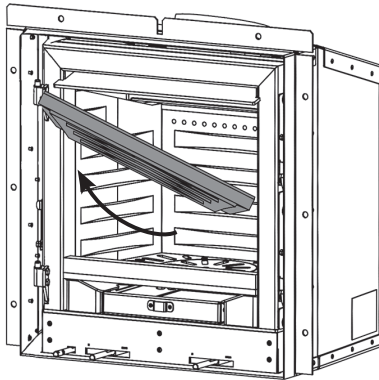
The rear brick is in two parts. Ensure the ropeseal is pressed firmly into the channels on the rear of the bricks.



*540T Wood Brick shown



Angle the top baffle brick into position on top of one side brick. Slide to the side as far as possible and raise the other end of the baffle brick over the other side brick.



Fit the Ash Retainer if removed, see Pre-Installation Section.

Fit the Multi-fuel brick retainer if removed, see Pre-Installation Section.

Do not operate with the firebricks removed.

Take care not to damage the firebricks.

LOG GUARD

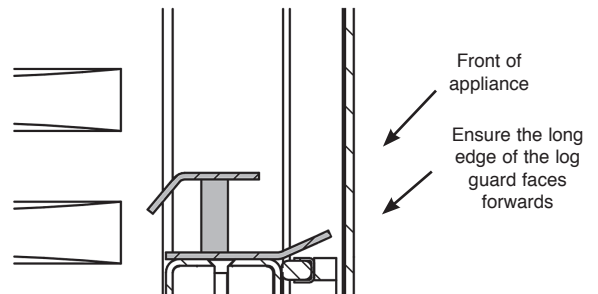
All Models

To fit the Log guard:
Insert into the appliance at an angle through the door opening.



NOTE: ENSURE THE LOG GUARD IS FITTED IN THE CORRECT ORIENTATION, SEE DIAGRAM.

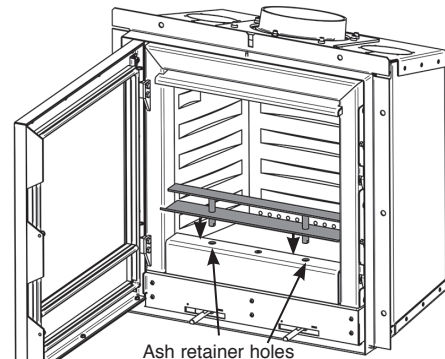
SIDE VIEW



Wood Models

Lower the Log Guard and feed the log bar legs into the holes in the ash retainer.

Ensure the lower extending angled lip on the log guard is facing forwards towards the door glass.

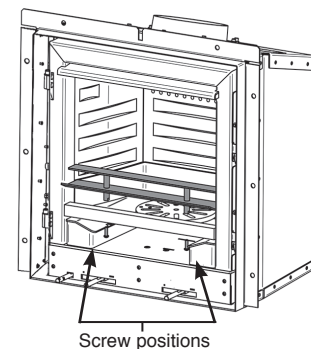


Do not use appliance without the log guard in position

Multi-fuel Models

Place the log guard legs over the holes in the grate and secure with 2 screws on the underside.

DO NOT OVERTIGHTEN.



WOODBURNING CONVERSION KIT

The appliance can be fitted with an optional kit which aids Multi-Fuel stoves with the continual burning of wood.

The kit focuses primary air to the centre of the appliance which helps to establish a flame and replicates the recommended conditions for burning wood.

For details on purchasing a Woodburning Conversion kit for this appliance contact your retailer.

CO ALARMS

All open flued appliances can be affected by temporary atmospheric conditions which may allow fumes to enter the house. Building regulations require that whenever a new or replacement fixed solid fuel or wood/biomass appliance is installed in a dwelling, a carbon monoxide alarm must be fitted in the same room as the appliance. Further guidance on the installation of the carbon monoxide alarm is available in the latest edition of BS EN50292 and from the alarm manufacturer's instructions.

HETAS recommend the unit is permanently fixed in accordance with the manufacturer's installation instructions or with the guidance contained in Approved Document J where no other information is available.

Provision of an alarm must not be considered a substitute for either installing the appliance correctly or ensuring regular servicing and maintenance of the appliance and chimney system.

COMMISSIONING

To commission:

- Replace the internal components.
- Check the door alignment and catch operation and adjust if required.
- Check the soundness of door seals, castings and joints.
- Check the operation of the air controls.

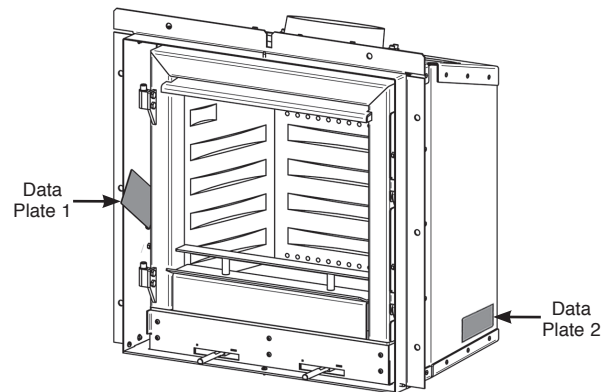
Now carry out a final smoke draw test:

- Warm the flue with a blowlamp, or similar, for about 10 minutes.
- Place a smoke pellet on the centre of the grate, with the air controls open.
- Close the door. Smoke should now be drawn up the flue and be seen to exit from the flue terminal.
- Complete test with all doors and windows closed in the room where the appliance is fitted.
- If there are any extractor fans in adjacent rooms the test must be repeated with the fans running on maximum and with interconnecting doors open.
- Check the effect of ceiling fans during the test.

If excessive spillage occurs allow the appliance to cool and re-check the flue system and ventilation.

Finally:

- Explain to the user the correct operation of the appliance, use of the controls and the importance of only using suitable fuels in order to reduce smoke emissions - particularly if they live in a Smoke Control Area.
- Ensure that a CO alarm has been fitted and make the user aware of its operation and importance, referring them to the Warning section of the User Instructions.
- Explain the cleaning and routine maintenance requirements.
- Explain the requirement to use a suitable fireguard when children, elderly or infirm persons are near the appliance.
- Record retailer/supplier and installer details in Appliance Commissioning Checklist.
- Record serial number in Appliance Commissioning Checklist. The serial number is found on the appliance data plate.



This number is required when ordering spare parts and making warranty claims.

- Give this instruction manual to the customer.

SERVICING

For a complete list of spare parts and accessories contact your Stovax Retailer or visit www.stovaxspares.co.uk

Before the start of the heating season strip, inspect and clean the appliance as detailed:

- Allow appliance to cool.
- Remove all internal parts: baffle, log guard, cast bases and firebricks.
Take care handling firebricks as they can become fragile after a period of use.
- Sweep the appliance at this point if necessary.
- Vacuum clean any remaining ash and debris from the inside of the appliance. Stovax offer a filter/collection attachment for vacuum cleaners to protect them from fire ash: Ash Clean (Stovax Part No. 2091).
- Check the parts for any damage. Replace any damaged parts using genuine Stovax replacements parts.
- Check and clean the firebricks with a soft brush.
Some surface damage will occur during use. The life of the bricks will depend on the type of fuels burnt and the level of use.
Replace damaged bricks as soon as possible.
- Re-fit cleaned internal parts.
- **Use Stovax Glass Cleaner (Stovax No.4103) which is better formulated for this application.**
Do not use abrasive cleaners to remove tar or soot deposits from the glass.
- Fit new door rope seal.
- Lightly oil the door catch mechanism and hinge pins. Avoid getting oil onto the door seals and glass.
- To refresh painted finishes a touch up spray is available.
Contact your Stovax retailer quoting the serial number found on the appliance data badge.

Use genuine Stovax replacement parts to keep the appliance in safe, efficient working order. This is a list of the maintenance products that may need be required:

Products to assist in the cleaning and maintenance of your Elise are available online at www.stovax.com or from your local Stovax dealer which, along with regular maintenance and use of correct fuels, will keep the appliance in the best possible condition.

For more information about the Stovax Group products please visit our web site at www.stovax.com

Burn at a low temperature for the first day of use after any maintenance. This allows the seals, fixing glues and paint to fully cure.

During this time the appliance may give off some unpleasant odours. Keep the room well ventilated to avoid a build-up of fumes.

Your Stovax dealer can carry out service and maintenance.

SERVICING AND SUPPORT



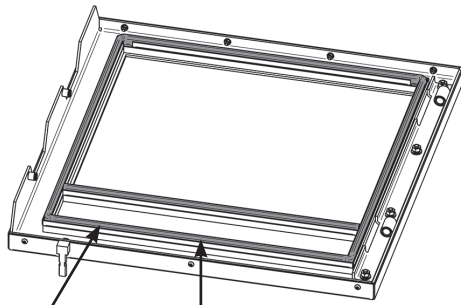
Servicing and Support

To keep your appliance looking and performing at its best, it must be serviced annually. This service must be undertaken by a suitably qualified individual and your retailer can organise this for you. Alternatively, Stovax offer a manufacturers premium service with our friendly team of qualified engineers which can be booked at www.stovax.com/support

TASK	PRODUCT NAME	NO.
Preventing build-up of creosote in flue	Protector (15 sachets)	7002
	Protector (1kg tub)	7025
Sealing flue pipe joints	Fire Cement (500g tub)	2024
	Fire Cement (600g cartridge)	2021
Re-painting	Touch Up Paint (150ml aerosol)	2056
Protecting your hands	Heat resistant leather gloves	4008 4027 - Long
Thermic seal glue	(50ml bottle)	5037
Cleaning Glass	Stovax Glass Cleaner	4103
Ash Clean	Vacuum Cleaner Attachment	2091M

i **IMPORTANT: Stovax provide gauntlet style gloves for the users protection from heat and any sharp edges when using the appliance. For your safety ensure that gloves are always worn when opening, operating, refuelling or handling internal metalwork.**

FITTING A NEW DOOR SEAL



Handy rope pack Joint at Bottom

To maintain the safe use of the appliance damaged or worn door sealing rope must be replaced.

NOTE: Some discolouration and flattening of the seal will occur in normal use and this does not indicate a damaged seal.

To complete this operation remove the door see the Pre-Installation section.

Remove the old rope and scrape old glue from the locating groove. Clean the locating groove with a clean dry cloth to remove all old dust and debris.

Squeeze a generous bead of fresh Stovax Thermic Seal glue into the rope locating groove.

Gently press the new Stovax rope into the locating groove, taking care not to stretch the rope. Place the joint in the middle of the bottom edge of the door using tape supplied for the ends.

Refit the door and close the door to apply pressure to the new rope.

Leave the appliance closed for at least 12 hours before lighting the appliance and using at a low output for approximately one day.

Using the appliance with a damaged door seal can cause dangerous fumes to enter the room, or the appliance to over fire, resulting in damage.

ADJUSTING DOOR HINGES

To maintain the safe use of your appliance, you may need to adjust the door hinges to ensure the safe, correct closing of the door. The door must be parallel with the outer box edge frame both horizontally and vertically.

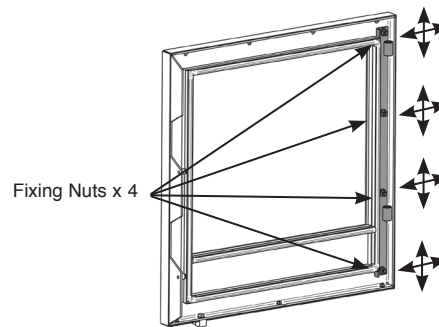
Adjustment is possible in 2 places:

Door Hinge Assembly, on the back of door.
Hinge Blocks on Inner Box.

Open the door to give access to these 2 positions.

Door Hinge Assembly

Use a 10mm socket to slightly loosen the fixing nuts on the Door Hinge Assembly, see Diagram.



Loosening the Door Hinge Assembly allows for fine vertical and horizontal adjustment of the door position.

This may require a trial and error approach to find the correct position.

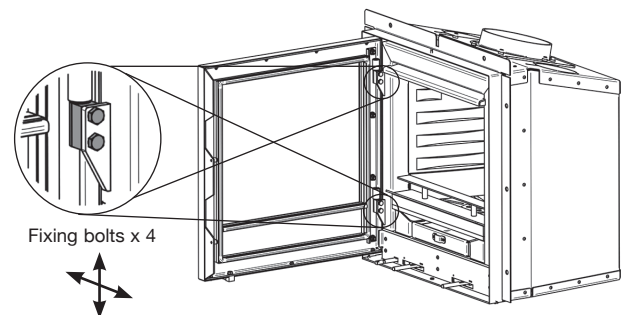
Ensure the door is horizontal before tightening the fixing nuts.

Hinge Blocks on Inner Box

Using a 10mm A/F spanner slightly loosen the fixing bolts inside the stove as shown in the Diagram below.

This will give vertical and horizontal adjustment which may need a trial and error approach to find the correct position.

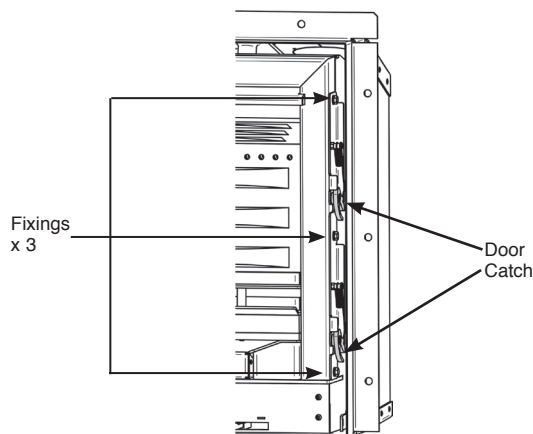
The door must be horizontally level.



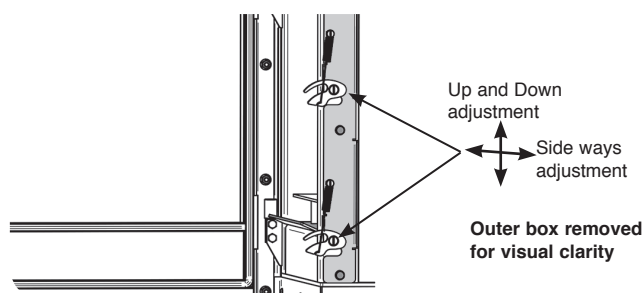
ADJUSTING THE DOOR CATCH

To maintain the safe use of your appliance you may need to adjust the door catch to ensure the safe, correct closing of the door. If the door hinges have been adjusted the door catch may need adjustment.

The door catch assembly is located at the right side of the inner box.



Use a 10mm A/F spanner to loosen the 3 fixings to give the door catch assembly adjustment movement. The catch block can move in two directions, see Diagram.



Reposition the door catch assembly to achieve a correct fit and fully tighten the 3 fixings.

This may need a trial and error approach to find the correct position.

If the door still feels loose after correcting the catch operation, the door rope seal is worn and requires replacement.

DO A PAPER TEST

To do a paper test shut a piece of paper in the door at the edges to test how well the rope seal stops the air from entering the appliance. If the paper can be pulled out easily then the seal is not sufficient and the rope must be replaced.

Repeat this around all the edges of the door.

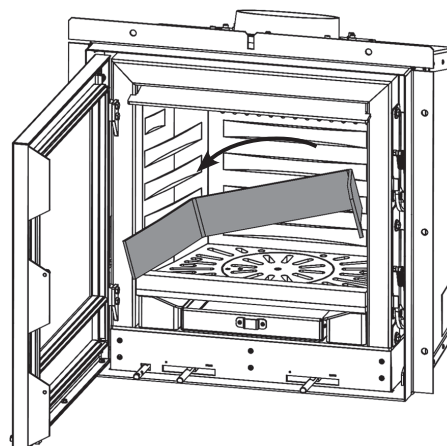
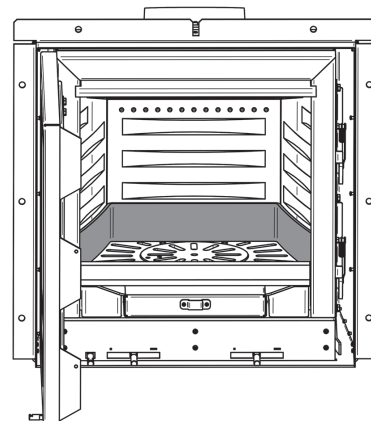
On the hinge side of the door it is easier to feed a slightly curled piece of paper between the door and the edge frame.

REMOVAL OF THE FIREBRICKS

Allow the appliance to cool fully before removing.

Multi-fuel Models Only

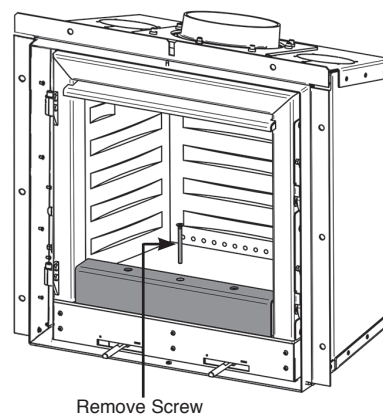
Before removing the firebricks, the brick protector must be removed. Lift up one side and angle out of firebox taking care not to damage the firebricks.



Wood Models Only

If the base/rear brick is difficult to remove it is possible to remove the ash retainer.

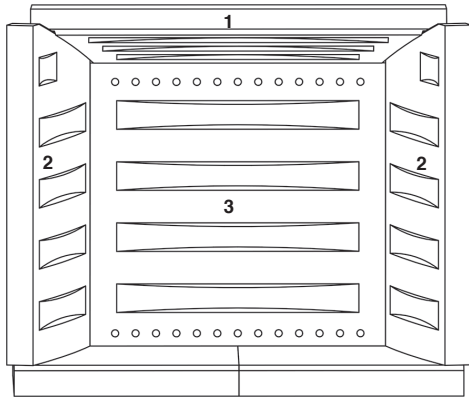
Use an Allen key to remove the countersunk screw.



The bricks must be removed in the following order:

1. Top Baffle Brick
2. Sides
3. Rear
4. Base (Wood burning models only)

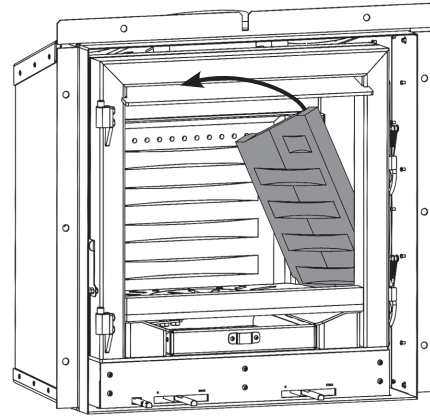
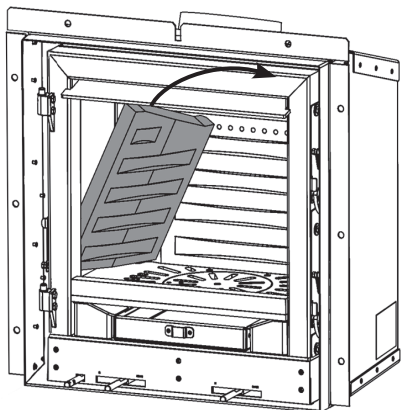
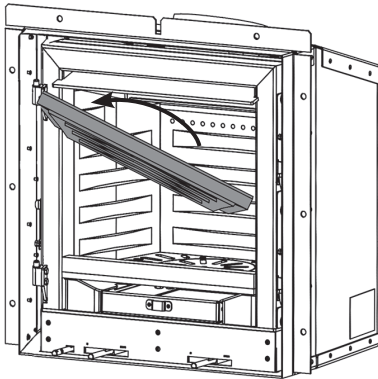
NOTE: For 540T models the rear brick is in two pieces.



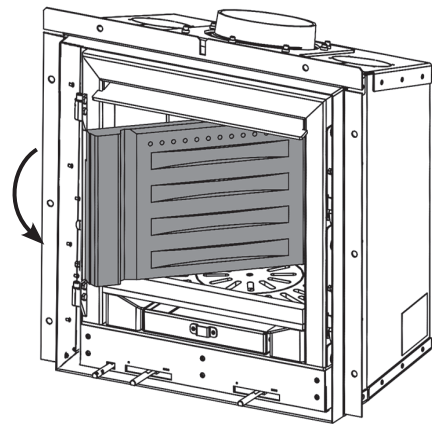
4 (Wood Burning Models only)

Wood
Burning
Version
Shown

Pull the top baffle brick forwards towards the door and then slide the brick to one side.



540T Models



Wood Burning Models

Wood burning models have base bricks at the bottom of the firebox.

Once the other bricks have been removed these can be lifted up and out angling through the door opening.

Note: The 540/ 540T/ 680 models have 2 base bricks. The 850 model has 3 base bricks.

Replace in reverse order.

Do not operate with the firebricks removed.

LEGAL REQUIREMENTS

Before installation and/or use of this appliance please read these instructions carefully to ensure that all requirements are fully understood.

The appliance must be fitted by a registered installer, or approved by your local building control officer.

It is very important to understand the requirements of the national Building Regulations and standards, along with any local regulations and working practices that may apply. Should any conflict occur between these instructions and these regulations then the regulations must apply.

Your local Building Control Office can advise regarding the requirements of the regulations.

Works must be carried out with care to meet the requirements of Health and Safety and comply with the Health and Safety rules, and any new regulations introduced during the lifetime of these instructions. Particular attention should be drawn to:

- **Handling:** The appliance is heavy. Adequate facilities must be available for loading, unloading and on site handling.
- **Fire Cement:** Some fire cement is caustic and must not come into contact with the skin. Protective gloves must be worn. Wash hands thoroughly with plenty of water after contact with skin.
- **Asbestos:** This appliance contains no asbestos. If there is the possibility of disturbing any asbestos in the course of installation seek specialist guidance and use appropriate equipment.
- **Metal Parts:** Take care when installing or servicing the stove to avoid personal injury.

A faulty installation can cause danger to the inhabitants and structure of the building.

For users of this appliance:

Your building insurance company may require you to inform them that a new heating appliance has been installed on your property. Check that your cover is still valid after installing the appliance.

FLUE OR CHIMNEY

The flue or chimney system must be in good condition. It must be inspected by a competent person and passed for use with the appliance before installation.

Products of combustion entering the room can cause serious health risks.

The following must be checked:

- The construction of the masonry chimneys, flue block chimneys and connecting flue pipe system must meet the requirements of the Building Regulations.
- A flexible flue liner system can be used if certified for use with solid fuel systems and installation complies with manufacturer's instructions and Building Regulations. The flue liner must be replaced when an appliance is replaced, unless proven to be recently installed and in good condition.

- If it is necessary to fit a register plate it must conform to the Building Regulations.
- The minimum height of the flue or chimney must be 4.5m from the hearth to the top of the flue, with no horizontal sections and a maximum of 4 bends. Bends must have angles of less than 45 degrees from the vertical.
- There should be at least 600mm of vertical flue pipe above the appliance before any bends are introduced.
- Ensure the connecting flue pipe is kept a suitable distance from any combustible material and does not form part of the supporting structure of the building.
- The installer must ensure the flue pipe diameter is not less than the diameter of the outlet of the appliance and does not narrow to less than the size of the outlet at any point in the system.
- Make provision to remove the appliance without the need to dismantle the chimney.
- Any existing flue must be confirmed as suitable for the new intended use as defined in the Building Regulations.
- The flue or chimney systems must be inspected and swept to confirm the system is structurally sound and free from obstructions.
- If the chimney is believed to have previously served an open fire it must be swept a second time within a month of regular use after installation to clear any soot falls that may have occurred due to difference in combustion levels.
- The flue exit from the building must comply with local building control rules.
- Chimney heights and/or separations may need to be increased in particular cases where wind exposure, surrounding tall buildings, high trees or high ground could have adverse effects on flue draught.
- Do not connect or share the flue or chimney system with another heating appliance.

Do not connect to systems containing large voids or spaces over 230mm square.

Suitable access must be provided to enable the collection and removal of debris.

The flue must be swept and inspected when the appliance is installed.

Flue Draught

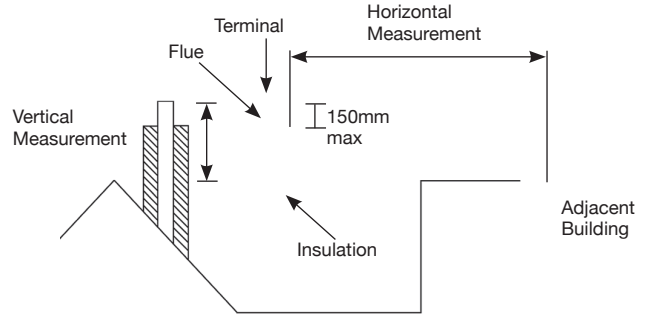
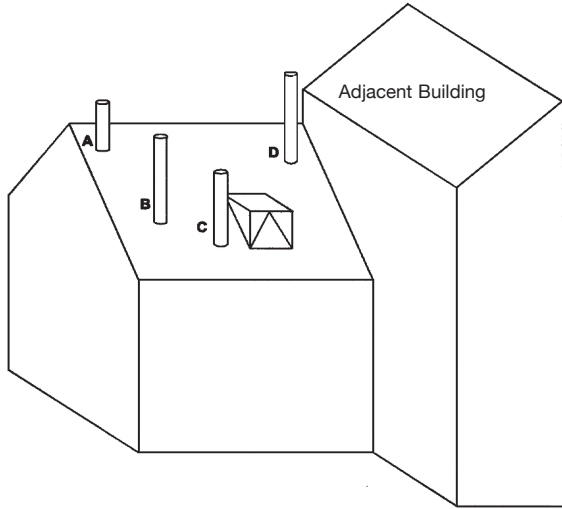
The flue draught must be checked with all windows and doors closed and any extraction fans in this, or adjoining rooms, running at maximum speed (see Installation Checklist for ventilation requirements).

TWIN WALL FLUE SYSTEM

If this appliance is to be used in conjunction with a twin wall flue system then Stovax recommend the use of their Professional XQ range. Details of this product are available from your Stovax retailer.

FLUE OUTLET POSITIONS

These positions are defined by Document J of the Building Regulations.



The datum for vertical measurement is the point of discharge of the flue from either the point of discharge of the flue or 150mm above insulation, whichever is the lower.

IMPORTANT: Seek specialist advice if installing in a dwelling with a thatched roof

Point where the flue passes through weather surface (Notes 1 & 2)		Clearances to flue outlet
A	At or within 600mm of the ridge	At least 600mm above ridge
B	Elsewhere on roof (whether pitched or flat)	At least 2300mm horizontally from the nearest point on the weather surface and: a) at least 1000mm above highest point of intersection of the chimney with and the weather surface; or b) at least as high as the ridge
C	Below (on a pitched roof) or within 2300mm horizontally to openable rooflight, dormer window, or other opening (Note 3)	At least 1000mm above the top of opening
D	Within 2300mm of an adjoining or adjacent building, whether or not beyond the boundary (Note 3)	At least 600mm above any part of the adjacent of building within 2300mm

- 1) The weather surface is the building external surface, such as it's roof tiles or external walls.
- 2) A flat roof has a pitch less than 10°.
- 3) The clearance given for A or B, as appropriate, will also apply.
- 4) A vertical flue fixed to an outside wall should be treated as equivalent to an inside flue emerging at the nearest edge of the roof.

VENTILATION

Many older buildings are sufficiently ventilated by natural leakage of air to provide suitable air supply for an appliance of 5kW output or less.

Modern building techniques have reduced the amount of air that leaks in or out of a house. A modern construction with an air tightness of less than 5m³ per hour per m² requires an air vent for **ALL** solid fuel appliances including those with a rated heat output of less than 5kW.

NOTE: The air leakage of a modern house is tested at the completion of construction and a certificate issued confirming this.

This appliance requires a constant supply of air to maintain proper combustion and effective flue performance.

An inadequate air supply can result in poor combustion and smoke entering the room which is potentially dangerous.

This supply of air can come from either:

- Purpose provided ventilation.
- Some Stovax appliances can also be fitted with an optional outdoor air kit which allows air to be drawn in from the outside.

The amount of air required must comply with local building regulations and the rules in force.

If spillage is detected during commissioning then there may be insufficient natural ventilation and an additional air supply will be necessary.

Permanent air vents should be non-adjustable and positioned where they are unlikely to become blocked.

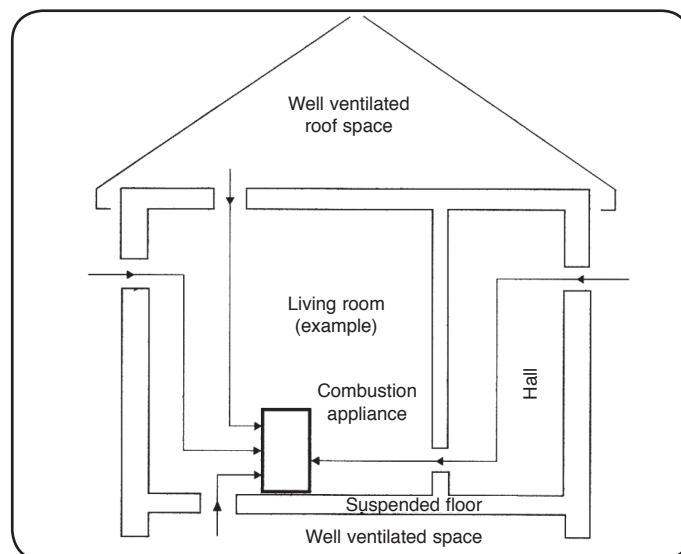
If vents open into adjoining rooms or spaces there must be an air vent of at least the same size direct to the outside.

Site the vents where cold draught is unlikely to cause discomfort. This can be avoided by placing vents near ceilings or close to the appliance (See diagram).

Extractor fans or cooker hoods must not be placed in the same room or space as this can cause the appliance to emit fumes into the room.

Increase air supply provisions where a room contains multiple appliances.

If any checks reveal problems do not proceed with the fitting of the appliance until they have been rectified.



BUILDERS OPENING

Many fireplace openings have a supporting lintel. Remove the covering plaster to identify its position before starting any constructive work. Do not remove constructional lintels without making provision to support the remaining structure of the building. The appliance must not form any part of the supporting structure.

The chimney/flue must have a sealed connection to the appliance flue spigot.

The structure of the builders opening will reach high temperatures. Use insulating blockwork to reduce the heat transfer to the external walls.

Take care when finishing the chimney breast and surrounding area. The conducted and convected heat emitted by the appliance could be high enough to crack normal plaster. Use a high temperature plaster, or face the area with a suitable non combustible board avoiding any joints above the appliance. New plaster should be fully dried before the appliance is used, or cracking could occur.

If you are in any doubt about your ability to produce a safe opening contact your Stovax dealer for professional advice.

FIRE SURROUND CLEARANCES

We recommend you obtain expert advice before proceeding with work of this nature.

Some finishes may discolour with heat and some lower quality products may distort, or crack, when in use.

If stone / granite / marble or any other natural material is used to construct the fire surround, or any part of it, provision should be made for expansion and movement of the parts due to heating and cooling.

If you are in any doubt about the installation requirements, or suitability of fire surrounds contact your Stovax dealer.

All fire surrounds should be suitable for use with solid fuel heating products.

PRODUCT FICHE - INFORMATION REQUIREMENT FOR SOLID FUEL LOCAL SPACE HEATER

C

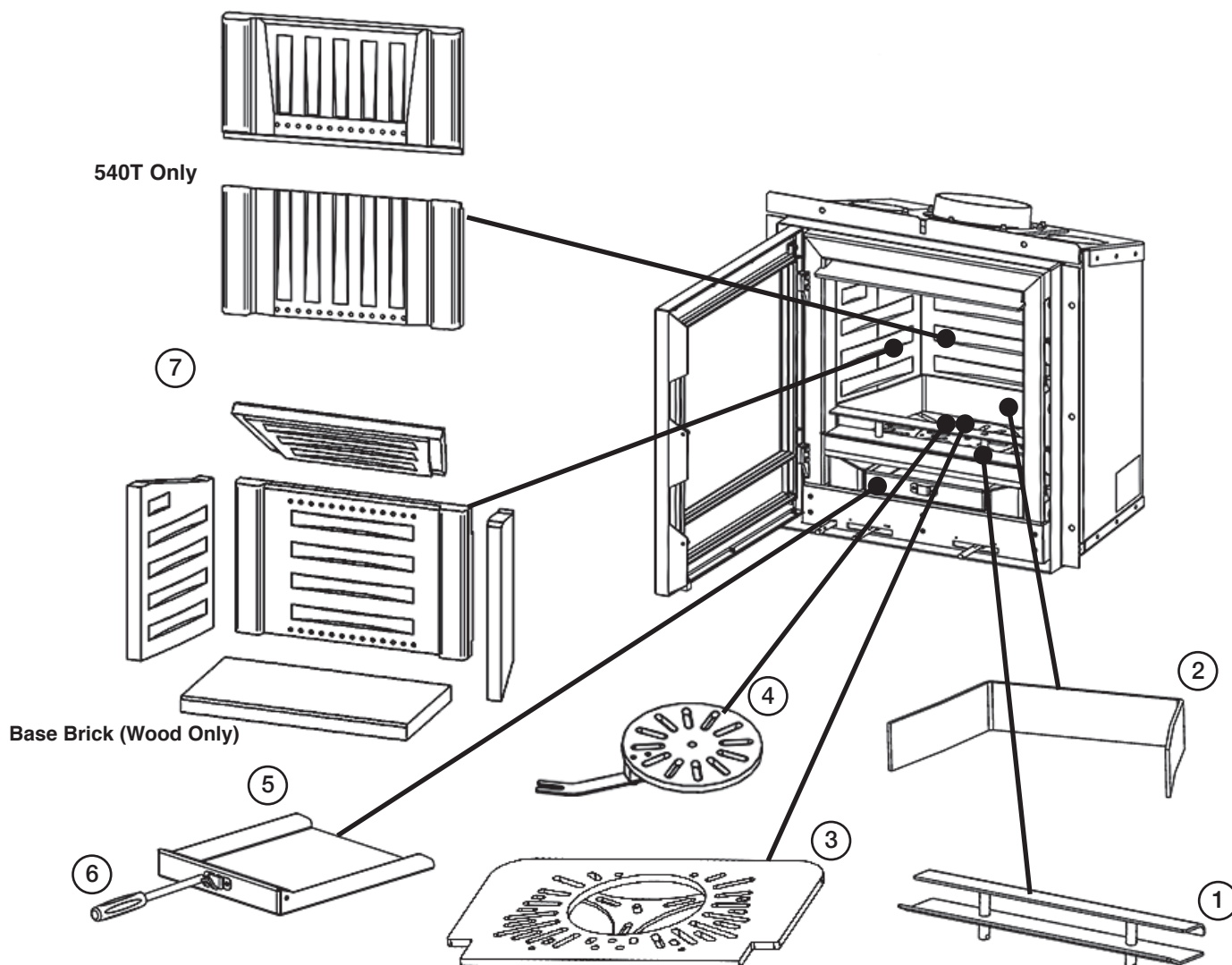
Model	Elise 540W	Elise 540MF	Elise 540 Tall W	Elise 540 Tall MF	Elise 680W	Elise 680MF	Elise 850W
Direct Efficiency Class	A+	A+	A	A	A	A	A
Direct Heat Output (kW)	5.0	5.0	5.0	4.8	7.6	7.5	9.1
Indirect Output (kW)	-	-	-	-	-	-	-
Energy Efficiency Index (EEI)	108	106	103	102	102	102	101
Useful Energy Efficiency at Nominal Heat Output	80.6%	79.6%	77.1%	76.3%	76.6%	76.4%	75.6%
Safety Precautions	Appliance must be installed, Used and Maintained in accordance with the manufacturers instructions supplied						

PRODUCT MATERIAL INFORMATION

The following substances, preparations or components should be disposed of or recovered separately from other WEEE in compliance with Article 4 of EU Council Directive 75/442/EEC.

Metal	Steel	Can be taken to a local recycling centre for reuse to reduce waste going to landfill.
	Cast iron	
Glass		Can be taken to a local recycling centre for reuse to reduce waste going to landfill.
Vermiculite linings		Non hazardous material. Vermiculite can be crushed up and used for plant bedding and ash used for composting or disposed of at a local recycling centre for reuse to reduce waste going to landfill.
Rope seals		Rope seals are made from Refractory Ceramic Fibre (RCF), a material which is commonly used for this application. Protective clothing is not required when handling these articles, but it is recommended to follow normal hygiene rules of not smoking, eating or drinking in the work area and always wash hands before eating or drinking. When servicing the appliance it is recommended that the replaced items are not broken up, but are sealed within heavy duty polythene bags and labelled as RCF waste. RCF waste is classed as stable, non-reactive hazardous waste and may be disposed of at a licensed landfill site.
Electrical components	(Fan kits etc if applicable)	Dispose of at a local recycling centre in accordance with the WEEE directive.

SPARE PARTS



Ref.	Description	Part Code						
		540W	540MF	540TW	540TMF	680W	680MF	850W
1	Log Guard	MEC10457	MEC10457	MEC10457	MEC10457	MEC10236	MEC10236	MEC10528
2	Brick Protector	N/A	RA503975	N/A	RA503975	N/A	RA503988	N/A
3	Main Grate	N/A	MEC10472	N/A	MEC10472	N/A	MEC10242	N/A
4	Centre Grate	N/A	MEC10476	N/A	MEC10476	N/A	MEC10250	N/A
5	Ash Pan	N/A	MEC10475	N/A	MEC10475	N/A	MEC10247	N/A
6	Multi-Function tool	MEC10499	MEC10499	MEC10499	MEC10499	MEC10499	MEC10499	MEC10499
7	Brick Assembly	MEC10459	MEC10460	MEC10491	MEC10492	MEC10237	MEC10238	MEC10529

Fixings required these can be obtained via a local hardware merchant:

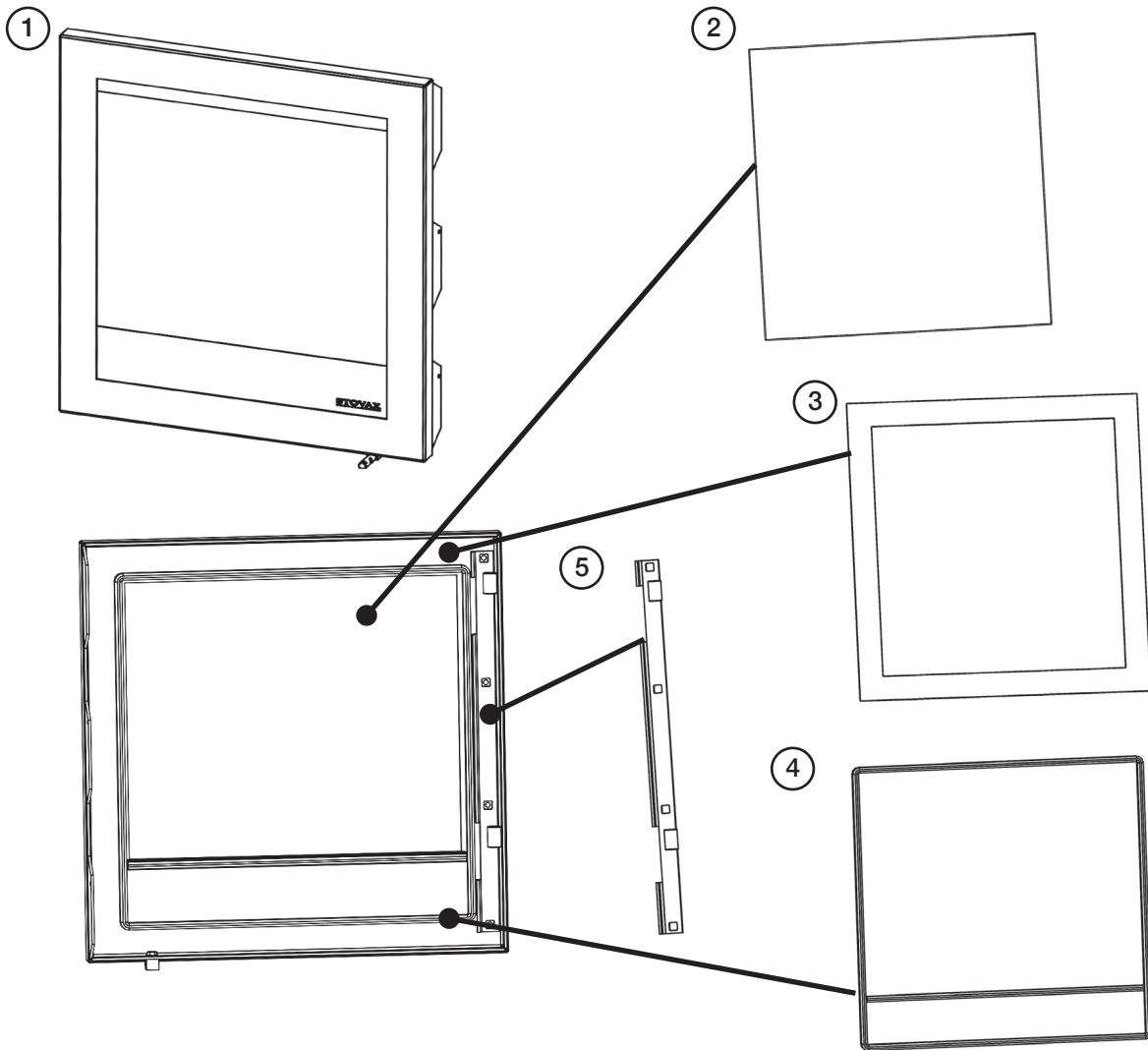
- M6 x 70 Counter Sunk Head Screw x 1
- M6 x 20 Button Head x 2



Due to continual technical improvements please check online or with your Stovax retailer for the most up to date parts lists.

Only use Genuine Stovax spares when servicing your appliance.
All of our essential spare parts and consumable items are available to purchase from our webshop at www.stovaxspares.com.

DOOR ASSEMBLY



Ref.	Description	Part Code							
		540	540	540T	540T	680	680	850	850
		Glass	Steel	Glass	Steel	Glass	Steel	Glass	Steel
1	Complete Door Assembly	MEC10462	MEC10461	MEC10494	MEC10493	MEC10131	MEC10130	MEC10669	MEC10531
2	Door Glass	MEC10839	MEC10838	MEC10841	MEC10840	MEC10837	MEC10836	MEC10843	MEC10842
3	Glass Rope	5705	5705	5705	5705	5705	5705	5705	5705
4	Door Rope	5702	5702	5702	5702	5702	5702	5704	5704
5	Hinge Assembly	MEC10549	MEC10549	MEC10720	MEC10720	MEC10549	MEC10549	MEC10583	MEC10583

Fixings required - these can be obtained via a local hardware merchant:

- M6 x 14 Washer x 4
- M6 x 10 Spring Washer x 4
- M6 Nut x 4



Due to continual technical improvements please check online or with your Stovax retailer for the most up to date parts lists.

Only use Genuine Stovax spares when servicing your appliance.
All of our essential spare parts and consumable items are available to purchase from our webshop at www.stovaxspares.com.

SERVICE RECORDS

1ST SERVICE

Date of Service:.....

Next Service Due:.....

Signed:.....

Dealer's Stamp/HETAS Registration Number

3RD SERVICE

Date of Service:.....

Next Service Due:.....

Signed:.....

Dealer's Stamp/HETAS Registration Number

5TH SERVICE

Date of Service:.....

Next Service Due:.....

Signed:.....

Dealer's Stamp/HETAS Registration Number

7TH SERVICE

Date of Service:.....

Next Service Due:.....

Signed:.....

Dealer's Stamp/HETAS Registration Number

9TH SERVICE

Date of Service:.....

Next Service Due:.....

Signed:.....

Dealer's Stamp/HETAS Registration Number

2ND SERVICE

Date of Service:.....

Next Service Due:.....

Signed:.....

Dealer's Stamp/HETAS Registration Number

4TH SERVICE

Date of Service:.....

Next Service Due:.....

Signed:.....

Dealer's Stamp/HETAS Registration Number

6TH SERVICE

Date of Service:.....

Next Service Due:.....

Signed:.....

Dealer's Stamp/HETAS Registration Number

8TH SERVICE

Date of Service:.....

Next Service Due:.....

Signed:.....

Dealer's Stamp/HETAS Registration Number

10TH SERVICE

Date of Service:.....

Next Service Due:.....

Signed:.....

Dealer's Stamp/HETAS Registration Number

FOR ENQUIRIES IN THE U.K (EXCLUDING NI):

Stovax Ltd, Falcon Road, Sowton Industrial Estate, Exeter, Devon, England EX2 7LF

Tel: (01392) 474011 E-mail: info@stovax.com www.stovax.com

FOR ENQUIRIES IN EUROPE (INCLUDING NI):

Stovax Heating Group (NI) Ltd (Comp reg NI675194), 40 Linenhall Street, Belfast, BT2

8BA DX 400 NR Belfast Tel: +44 (0)1392 261990 E-mail: northernireland@stovax.com



STOVAX



PM1944