



Chesterfield & Sheraton 5

Freestanding Stove Range



Installation Instructions

IMPORTANT

THE OUTER CASING, FRONT AND GLASS PANEL BECOME EXTREMELY HOT DURING OPERATION AND WILL RESULT IN SERIOUS INJURY AND BURNS IF TOUCHED. IT IS THEREFORE RECOMMENDED THAT A FIREGUARD COMPLYING WITH BS 8423 (LATEST EDITION) IS USED IN THE PRESENCE OF YOUNG CHILDREN, THE ELDERLY OR INFIRM.

Do not attempt to burn rubbish in this appliance. Please read these Instructions carefully before installation or use.

Keep them in a safe place for future reference and when servicing the fire.

The commissioning sheet found on page 3 of these instructions should be completed by the Installer.

PM1939.1.03.2021

CONTENTS

Chesterfield Eco Range

Covering the following models:

MODEL	WOOD	MULTI- FUEL
Chesterfield 5	705-332	705-562
Chesterfield 5 Wide	705-346	705-577
Sheraton 5	SH-5W-E	SH-5M-E
Sheraton 5 Wide	SH-5WIDW	SH-5WIDM-E

Installation Instructions	4
Essential Information	4
Dimensions	7
Distance to Combustibles	8
Pre-installation	11
Smoke Control Settings	17
Installation	19
Commissioning	23
Maintenance & Servicing	24
Servicing	24
Legal Requirements	29
Information Requirement - Solid Fuel	31
Exploded Parts	32
Service Records	35

APPLIANCE COMMISSIONING SHEET

To assist us in any guarantee claim please complete the following information:-

Dealer appliance was purchased from:

Name:

Address:

Telephone number:

Essential information - MUST be completed:

Date Installed:

Model Description:

Serial Number:

Installation Engineer:

Company Name:

Address:

Telephone number:

Commissioning Checks - to be completed and signed:

Is flue system correct for the appliance:	YES <input type="checkbox"/>	NO <input type="checkbox"/>
Flue swept and soundness test complete:	YES <input type="checkbox"/>	NO <input type="checkbox"/>
Smoke test completed on installed appliance	YES <input type="checkbox"/>	NO <input type="checkbox"/>
Spillage test completed	YES <input type="checkbox"/>	NO <input type="checkbox"/>
Use of appliance and operation of controls explained	YES <input type="checkbox"/>	NO <input type="checkbox"/>
Clearance to combustible materials checked	YES <input type="checkbox"/>	NO <input type="checkbox"/>
Instruction book handed to customer	YES <input type="checkbox"/>	NO <input type="checkbox"/>
CO Alarm Fitted	YES <input type="checkbox"/>	NO <input type="checkbox"/>
Flue draught Reading (Pa)	HOT <input type="text"/>	COLD <input type="text"/>

Signature: Print Name:

ESSENTIAL INFORMATION - MULTI-FUEL STOVE

GENERAL	Model:		Chesterfield 5	Sheraton 5	Chesterfield 5 Wide	Sheraton 5 Wide	
	Nominal Heat Output	Wood	kW	5.0	5.0	5.0	5.0
		Solid Fuel	kW	5.0	5.0	5.0	5.0
	Efficiency	Wood	%	79.5	79.5	76.5	76.5
		Solid Fuel	%	78.6	78.6	79.4	79.4
	CO @ 13% O ₂	Wood	%	0.11	0.11	0.11	0.11
		Solid Fuel	%	0.04	0.04	0.08	0.08
	Weight		Kg	95	95	110	110
Recommended Fuels	Wood	Seasoned Wood (less than 20% moisture content)					
	Solid Fuel	Briquette smokeless fuel suitable for closed appliances (Ancit-Phuracite-Maxibrite-Taybrite-Homefire Ovals)					

As tested to the requirements of EN 13240 for intermittent operation

FLUES	Flue/Chimney Size	Without flue liner Round (Diameter)	mm	±153	±153	±153	±153
			inch	6	6	6	6
		Without flue liner system (Square)	mm	135	135	135	135
			inch	5½	5½	5½	5½
		With Liner of Factory made system (diameter) installed in accordance with manufacturers instructions	mm	150	150	150	150
			inch	6	6	6	6
	Flue/Chimney minimum height**	All products **must be 4.5m from the hearth to the top of the flue, with no horizontal sections and a maximum of 4 bends. Bends must have angles of less than 45 degrees from the vertical.	m	4.5	4.5	4.5	4.5
			feet	15	15	15	15
	Flue Draught	Min	Pa	10	10	10	10
		Nominal		12	12	12	12
		Max		20	20	20	20
	Flue Gas Mass Flow	Wood	g/s	3.8	3.8	5.9	5.9
		Solid Fuel	g/s	3.4	3.4	3.8	3.8
	Average Flue Gas Temperature	Wood	°C	312	312	261	261
Solid Fuel		°C	338	338	272	272	
Flue Outlet Size (Top or Rear Option)	All	mm	128	128	128	128	
		inch	5	5	5	5	

European Min Spec for Chimney Flue - T400 N2 D 3 G50

VENTILATION	A) Traditionally Built Homes		B) Modern Construction Homes				
	• Where leakage is greater than 5m ³ /hour/m ² .		• Where leakage is less than 5m ³ /hour/m ² .				
	• Ventilation normally required = 550mm ² per kW output over 5kW		• Ventilation normally required = 550mm ² per kW				
	A	Additional Ventilation	mm ²	None	None	None	None
			cm ²	None	None	None	None
			in ²	None	None	None	None
	B	Additional Ventilation	mm ²	2750	2750	2750	2750
cm ²			27.5	27.5	27.5	27.5	
in ²			4.4	4.4	4.4	4.4	

For full technical details on ventilation see Technical Appendix on Page 22

ESSENTIAL INFORMATION - WOOD STOVE

GENERAL	Model:			Chesterfield 5	Sheraton 5	Chesterfield 5 Wide	Sheraton 5 Wide
	Nominal Heat Output	Wood	kW	5.0	5.0	5.0	5.0
	Efficiency	Wood	%	77.6	77.6	75.6	75.6
	CO @ 13% O ₂	Wood	%	0.09	0.09	0.14	0.14
	Weight	Wood	Kg	91.5	91.5	105.5	105.5
Recommended Fuels	Wood	Seasoned Wood (less than 20% moisture content)					

As tested to the requirements of EN 13240 for intermittent operation

FLUES	Flue/Chimney Size <small>May be reduced to 128mm (5") if burning approved smokeless fuels or burning wood in an appliance approved for use in a DEFRA smoke control area</small>	Without flue liner Round (Diameter)	mm	153	‡153	153	‡153
			inch	6	6	6	6
		Without flue liner system (Square)	mm	135	135	135	135
			inch	5½	5½	5½	5½
		With Liner of Factory made system (diameter) installed in accordance with manufacturers instructions	mm	150	150	150	150
			inch	6	6	6	6
	Flue/Chimney minimum height**	All products **must be 4.5m from the hearth to the top of the flue, with no horizontal sections and a maximum of 4 bends. Bends must have angles of less than 45 degrees from the vertical.	m	4.5	4.5	4.5	4.5
			feet	15	15	15	15
	Flue Draught	Min	Pa	10	10	10	10
		Nominal		12	12	12	12
		Max		20	20	20	20
	Flue Gas Mass Flow	Wood	g/s	4.6	4.6	5.5	5.5
Average Flue Gas Temperature	Wood	°C	284	284	273	273	
Flue Outlet Size (Top or Rear Option)	All	mm	128	128	128	128	
		inch	5	5	5	5	

European Min Spec for Chimney Flue - T400 N2 D 3 G50

VENTILATION	A) Traditionally Built Homes		B) Modern Construction Homes				
	• Where leakage is greater than 5m ³ /hour/m ² .		• Where leakage is less than 5m ³ /hour/m ² .				
	• Ventilation normally required = 550mm ² per kW output over 5kW		• Ventilation normally required = 550mm ² per kW				
	A	Additional Ventilation	mm ²	None	None	None	None
			cm ²	None	None	None	None
			in ²	None	None	None	None
B	Additional Ventilation	mm ²	2750	2750	2750	2750	
		cm ²	27.5	27.5	27.5	27.5	
		in ²	4.4	4.4	4.4	4.4	

For full technical details on ventilation see Technical Appendix on Page 22

Installation

Registered Professional:

Before installation and/or use of this appliance please read these instructions fully and carefully to ensure that you have fully understood their requirements.

The appliance must be fitted by a registered installer, or approved by your local building control officer.

Structural Support:

If installing on a wooden floor check that the floor joists are strong enough to bear the weight of the insert, chimney and construction parts.

Hearth:

A Constructional Hearth with a depth of 125mm and a 12mm Decorative Hearth Plate must be installed to protect a combustible floor from the risk of falling embers if mounted directly on the floor.

The Decorative Hearth must extend 300mm in front of the appliance and can be made of natural stone, concrete, metal or glass.

Final inspection of the installation:

When it has been installed, the appliance must be commissioned in accordance with standards and practices to ensure full working order and a correct handover given to the customer.

Flue and Chimney

The flue or chimney system must be able to withstanding flue temperatures of up to 400°C.

The external diameter of the connection sleeve is 155mm.

In normal operating mode, draft in the chimney should be 20-25 Pa close to the connection sleeve. The draft is affected primarily by the length and area of the chimney and also by how well sealed it is.

The minimum recommended chimney length is 3.5m and a suitable cross-section area is 150-200cm² (140-160 mm in diameter).

Sharp bends and horizontal lengths in a flue pipe reduce the draft in the chimney.

It must be possible to sweep the full length of the flue, and the soot doors must be easily accessible.

Carefully check that the chimney is sealed and that there is no leakage of smoke from the connections.

Combustion Air Supply

When the appliance is installed, it is essential to ensure adequate air is supplied to the room. Air can be provided indirectly via a vent in the outer wall or via a duct from the outside that connects to the sleeve on the underside of the insert. The required volume of combustion air is about 20 m³/hour.

The outer diameter of the combustion air connection sleeve is 65mm.

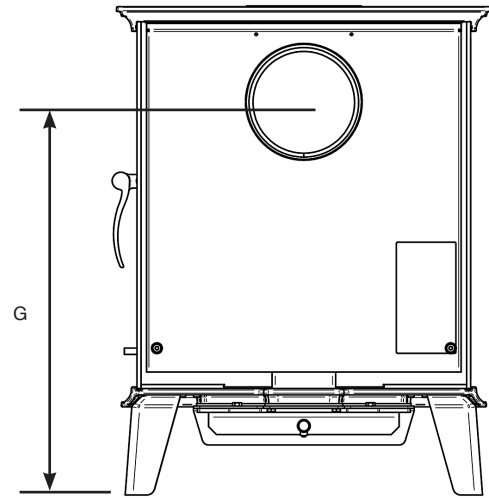
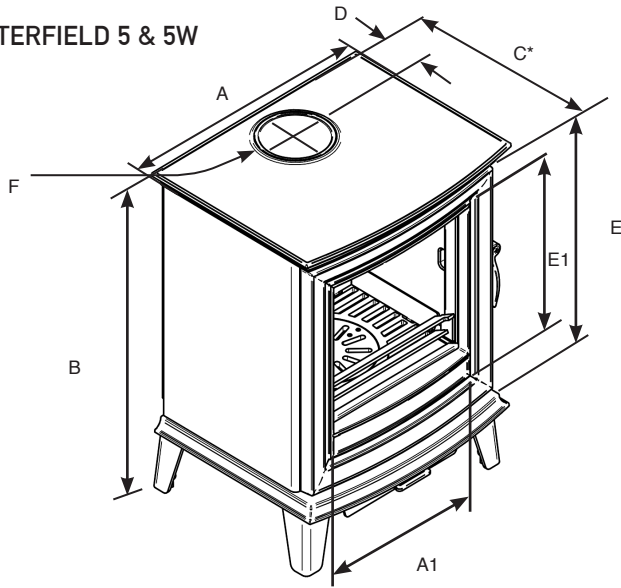
If a pipe is longer than 1 m, its diameter must be increased to 100mm and a larger wall vent will be required.

In heated spaces, the flue must be insulated to prevent condensation using 30mm mineral wool covered with a vapour barrier. The hole in the wall (or floor) at the exit point must be properly sealed with flue jointing compound.

A flexible pipe to provide external directly into the appliance is available and must be fitted at the time of installation.

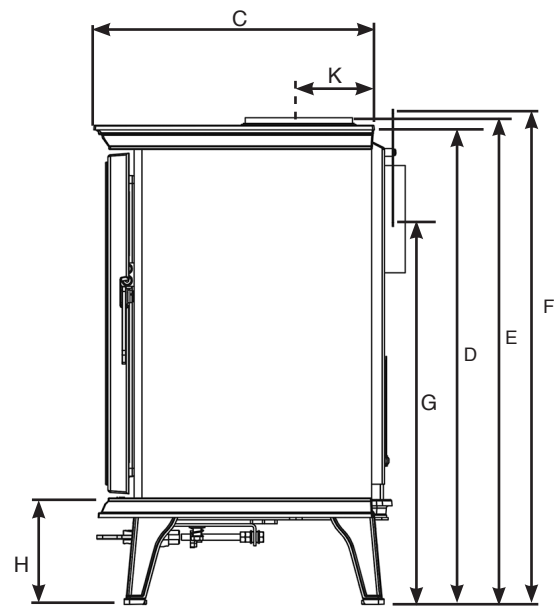
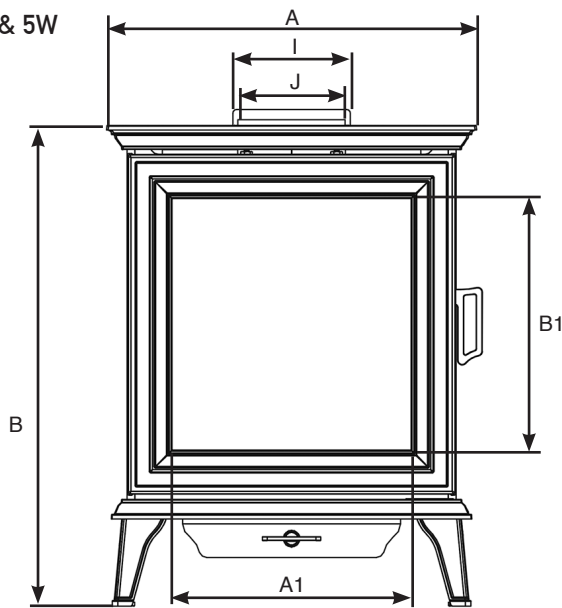
DIMENSIONS

CHESTERFIELD 5 & 5W



	A	A1 (GLASS VIEWING AREA)	B		C	D	E	E1 (GLASS VIEWING AREA)		F	G	
			SHORT LEG	LONG LEG				WOOD	MULTI-FUEL		SHORT LEG	LONG LEG
Chesterfield 5	472	305	614	660	397	110	431	317	278	128	494	540
Chesterfield 5 Wide	581	412	702	748	357	110	519	410	359	128	561	607

SHERATON 5 & 5W

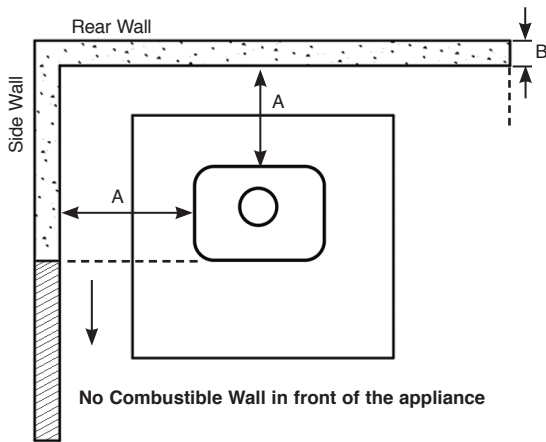


	A	A1 (GLASS VIEWING AREA)	B		B1 (GLASS VIEWING AREA)	C	D	E	F	G		H		I	J	K
			SHORT LEG	LONG LEG						SHORT LEG	LONG LEG	SHORT LEG	LONG LEG			
SHERATON 5	472	305	614	660	Wood: 332 M/F: 279	359	613	615	634	493	539	136	182	150	135	121
SHERATON 5 WIDE	581	415	703	749	Wood: 410 M/F: 360	303	703	704	723	561	607	136	182	150	135	121

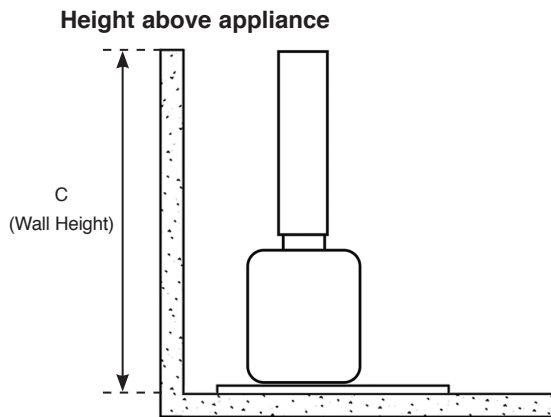
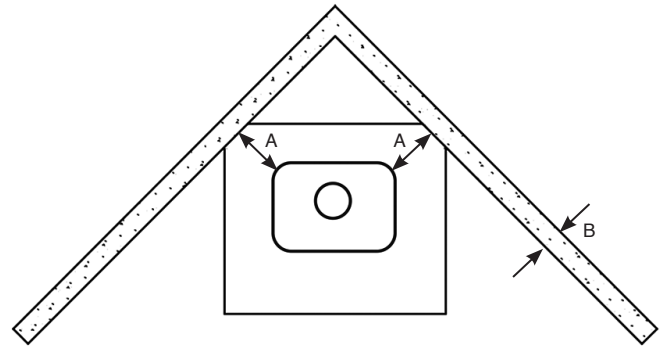
All dimensions in mm (25.4 mm = 1")

CLEARANCE TO NON-COMBUSTIBLE MATERIAL

PARALLEL POSITION CLEARANCES



CORNER POSITION CLEARANCES



DISTANCE TO NON-COMBUSTIBLE MATERIALS

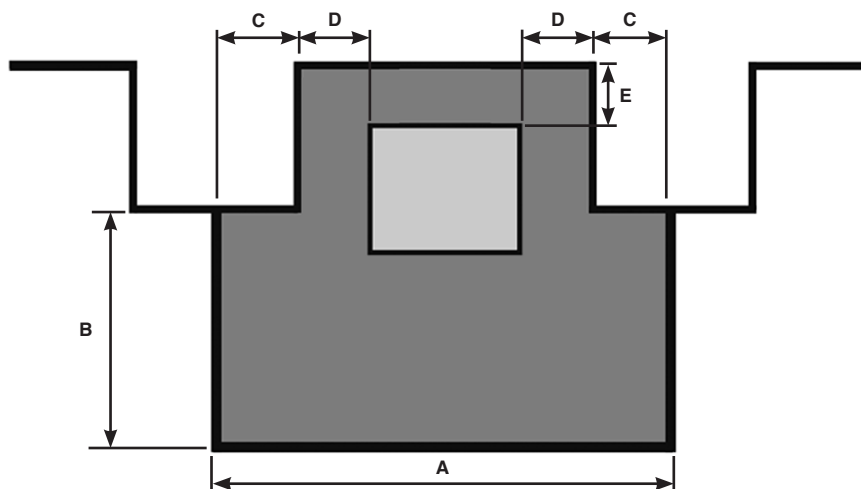
Distance of Appliance to Wall (A)	Minimum Thickness of wall (B)	Minimum Height of Wall (C)
0mm - 50mm*	200mm	Height of appliance + 300mm OR 1200mm from the hearth (take largest dimension)
51mm - 300mm	75mm	
300mm+	No requirement	No requirement

HEARTH THICKNESS

These appliances are suitable to stand on a 12mm decorative hearth.

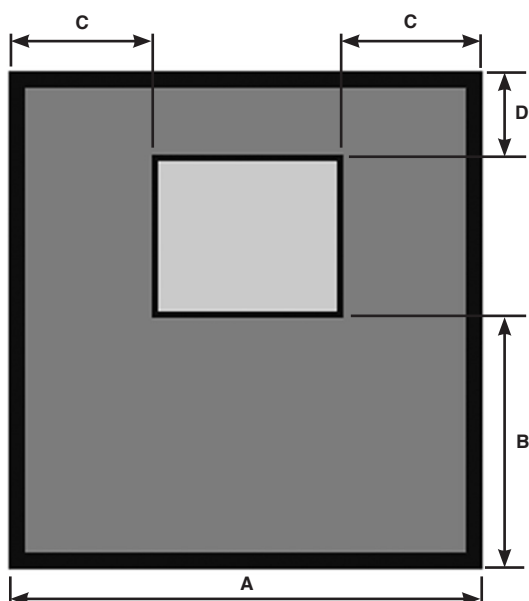
CLEARANCE TO COMBUSTIBLE MATERIAL

ENCLOSED SETTING



DIMENSION	A	B	C	D	E	
					Fitted with Heat Shield	Standard Clearance
Standard Model - Wood	1372	225	150	300	50	500
Standard Model - Multi-Fuel	1372	225	150	300	50	500
Wide Model - Wood	1381	225	150	250	50	500
Wide Model - Multi-Fuel	1381	225	150	250	50	500

OPEN SETTING

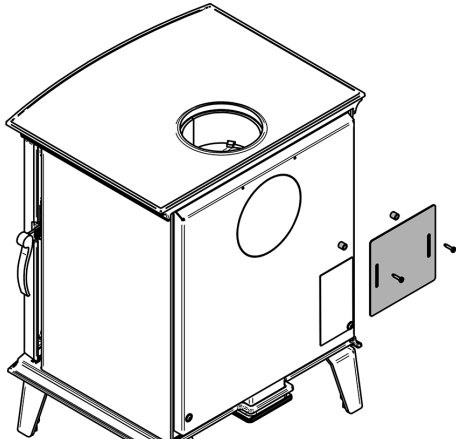


DIMENSION	A	B	C	D	
				Fitted with Heat Shield	Standard Clearance
Standard Model - Wood	1072	225	300	50	500
Standard Model - Multi-Fuel	1072	225	300	50	500
Wide Model - Wood	1081	225	250	50	500
Wide Model - Multi-Fuel	1081	225	250	50	500

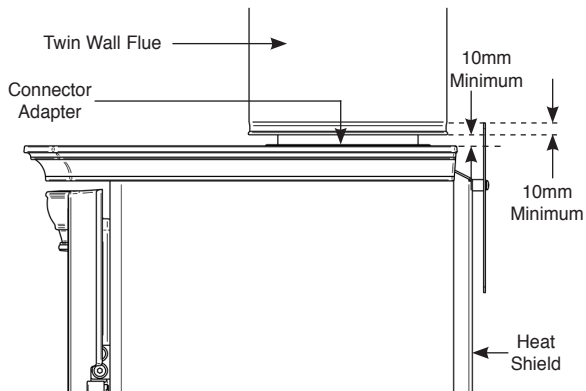
TWIN WALL HEAT SHIELD (TWIN WALL INSTALLATIONS ONLY)



IF THE APPLIANCE IS TO BE INSTALLED IN A COMBUSTIBLE SETTING THE MINIMUM CLEARANCES CAN ONLY BE ACHIEVED USING A TWIN WALL FLUE SYSTEM AND HEAT SHIELD.



Align the Heat Shield on the slots to cover the gap between the Twin Wall and the Top Plate. The overlap must be at least 10mm.



IMPORTANT

When installing the flue pipe, there must be no exposed single wall flue, & a minimum 10mm expansion gap must be left between the Twin Wall flue & the top face of the Top Plate.

OPTIONAL EXTRAS

OUTSIDE AIR KIT

This appliance can be fitted with an optional kit to help bring air directly into the appliance from outside. For installation and operating procedures refer to the instructions supplied with the Outside Air kit - Stovax Part No PM1654.

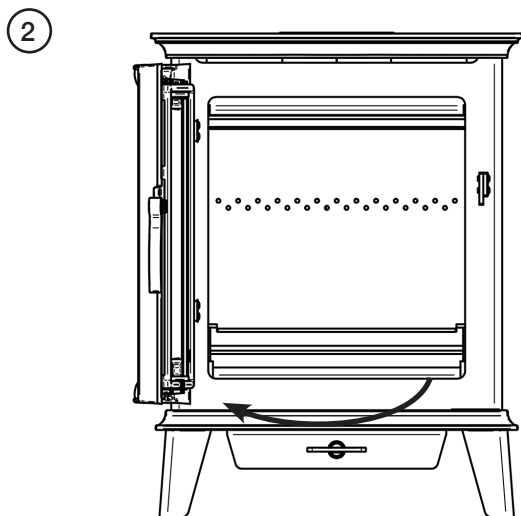
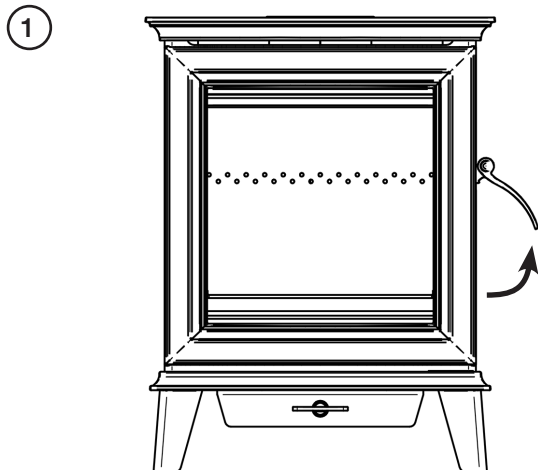
APPLIANCE	PART NO.
Standard Model	SH-5AIR
Wide Model	SH-5WIDAIR

PRE-INSTALLATION

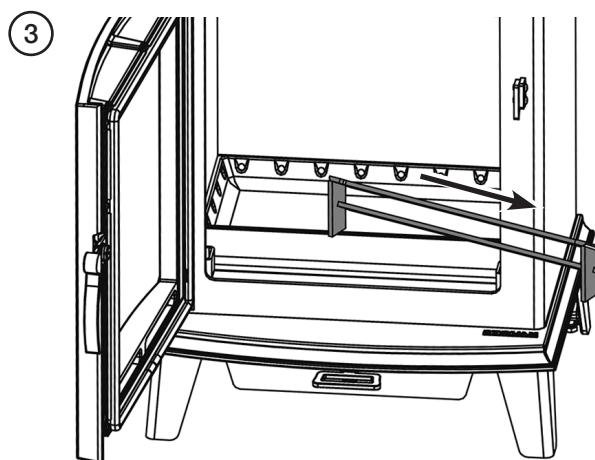
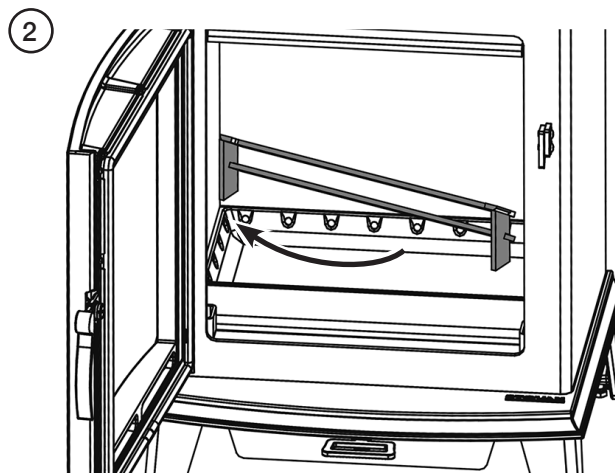
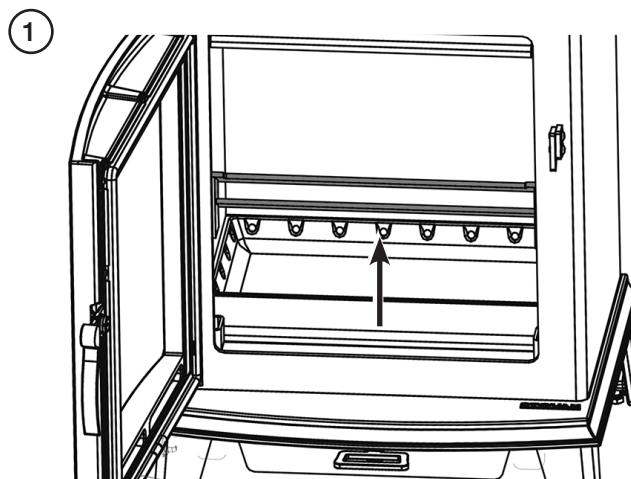
To make the installation of the appliance easier it is best to remove the internal components before installation.

OPENING THE DOOR

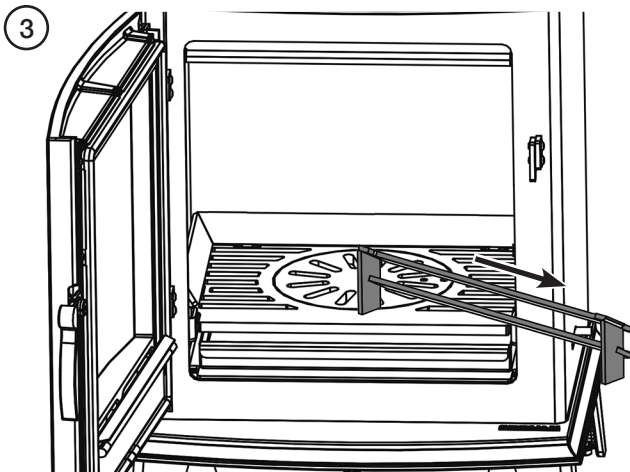
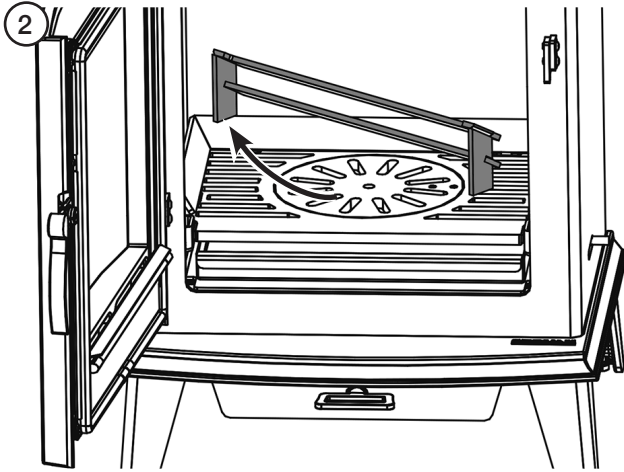
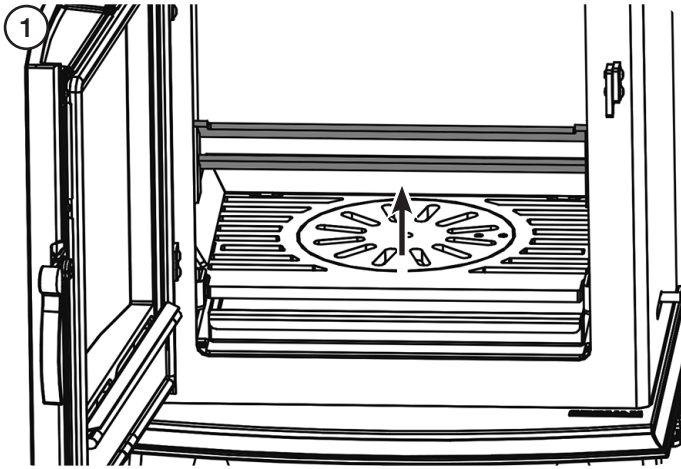
Chesterfield Shown



LOG GUARD - WOOD MODELS



LOG GUARD - MULTI-FUEL MODELS



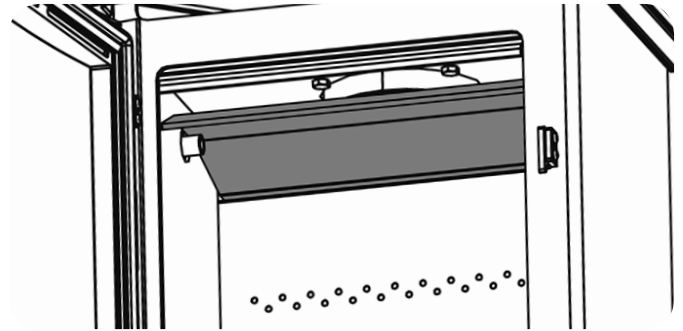
BAFFLE

The appliance is fitted with a baffle in the top of the firebox to maintain efficient combustion.

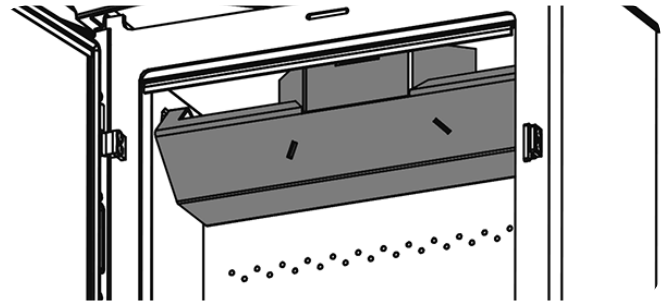


ALLOW THE STOVE TO COOL FULLY BEFORE REMOVING THE BAFFLE SYSTEM.

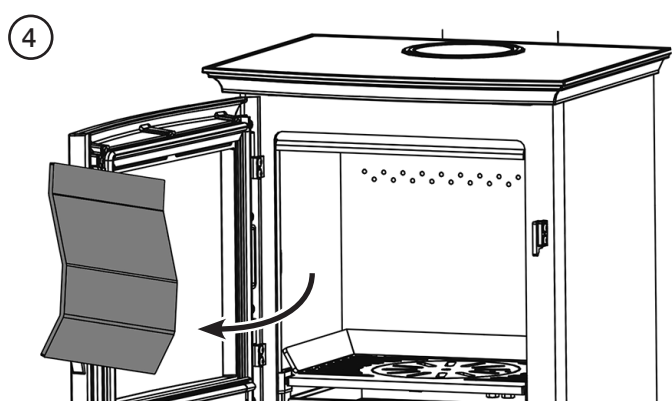
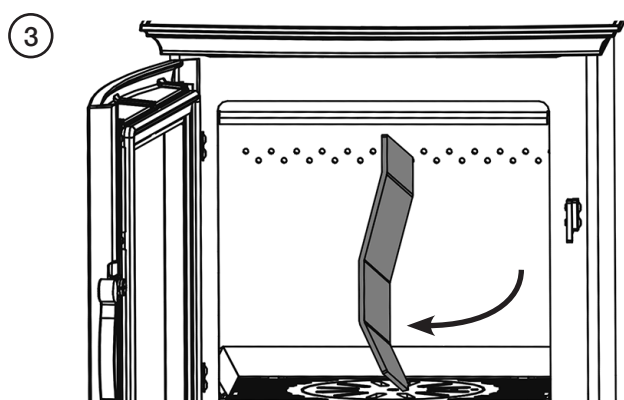
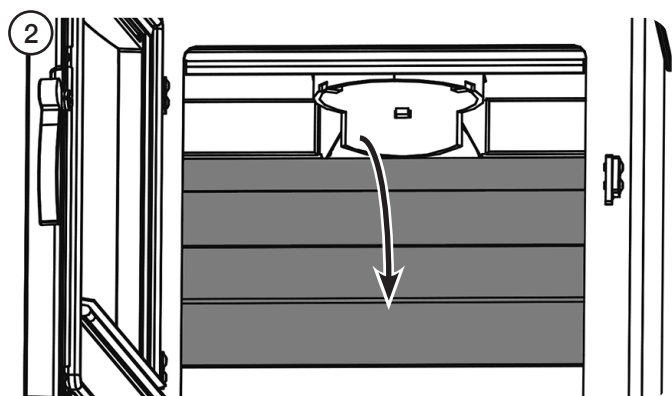
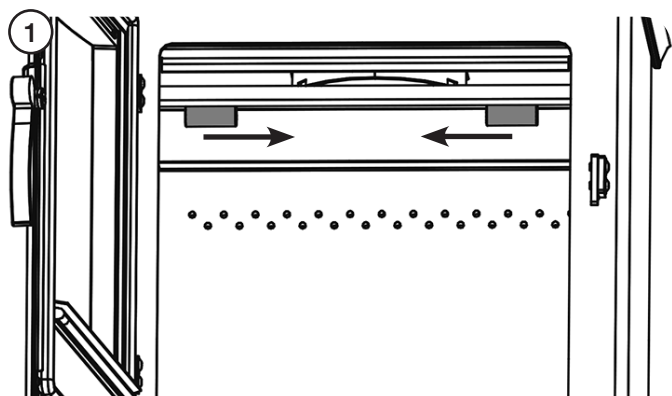
STANDARD MODEL



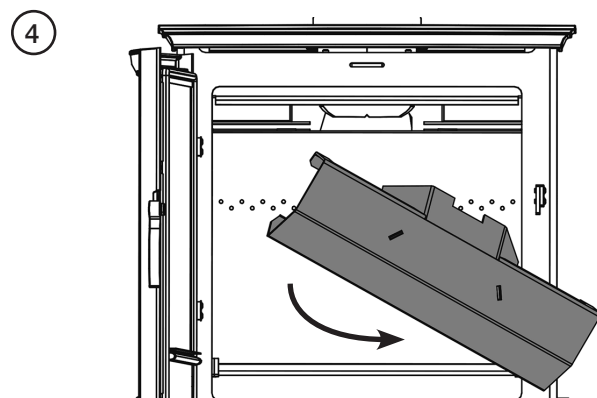
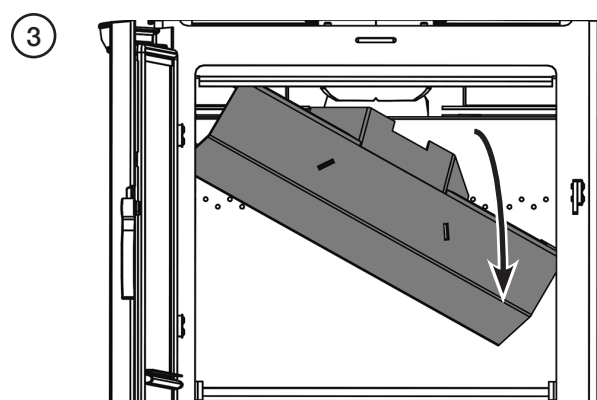
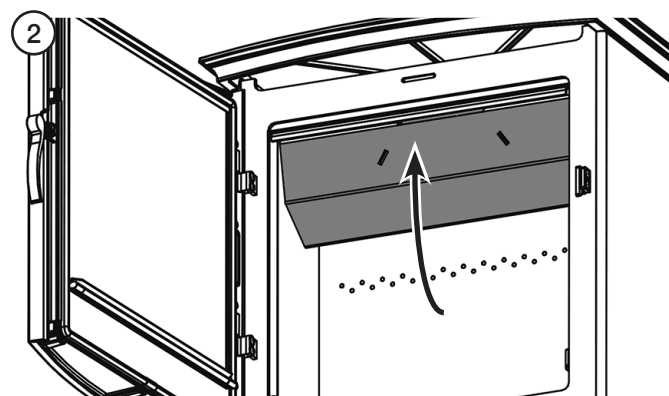
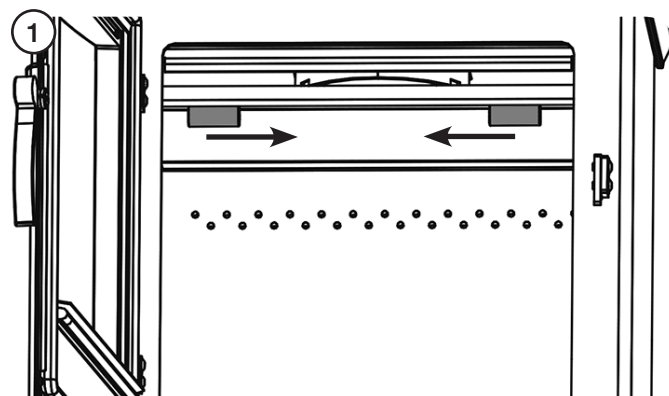
WIDE MODEL



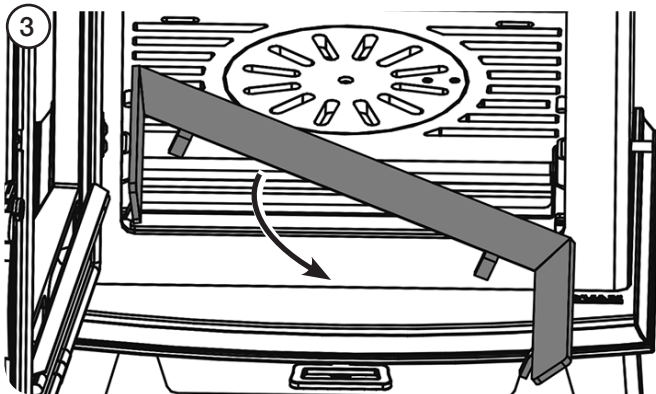
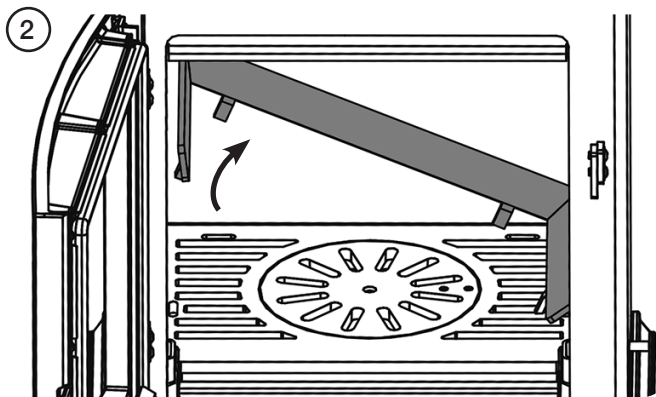
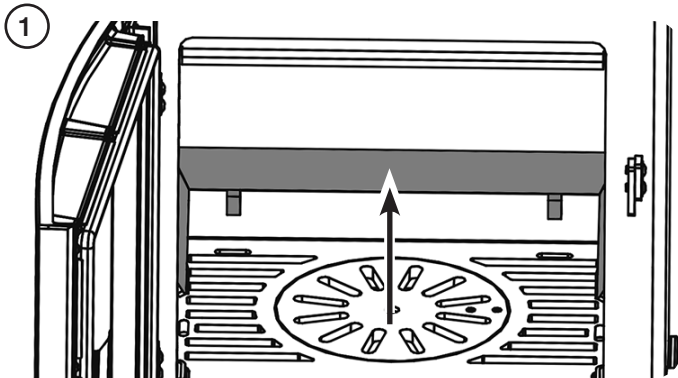
STANDARD MODEL



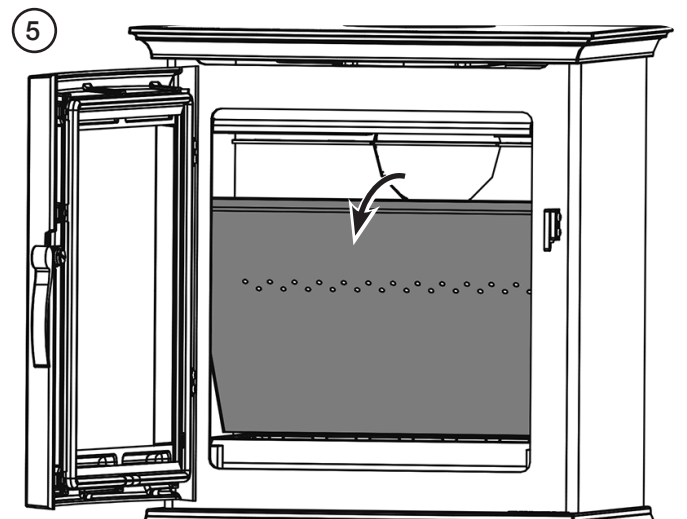
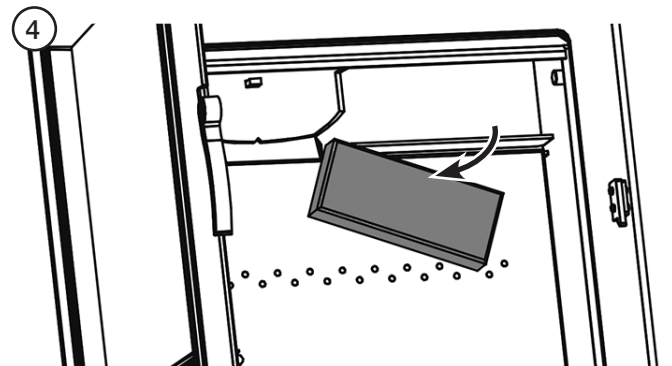
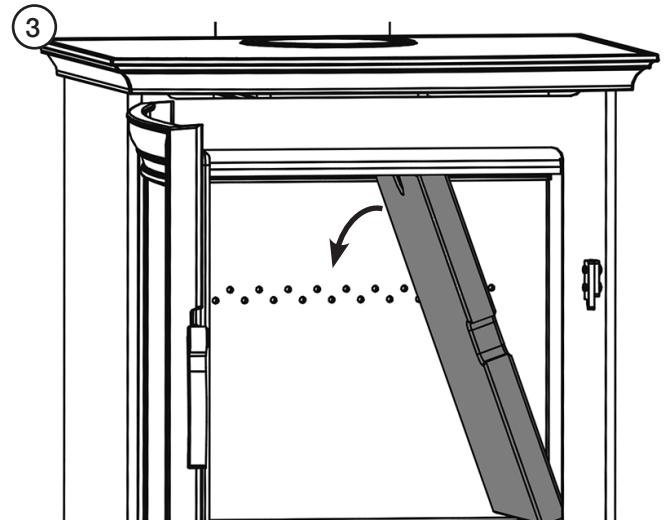
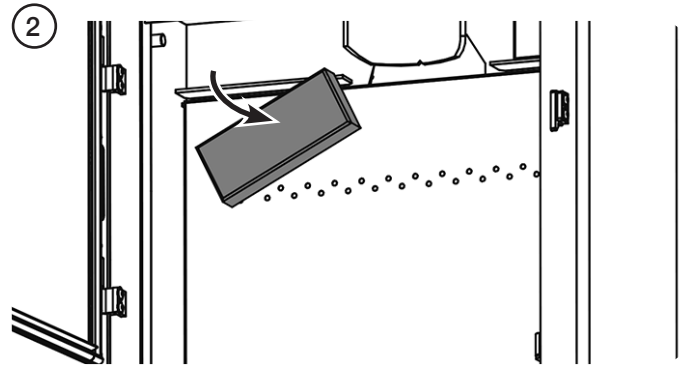
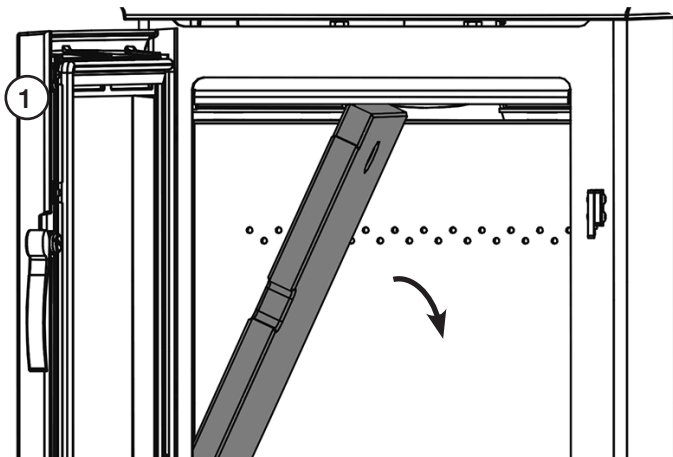
WIDE MODEL

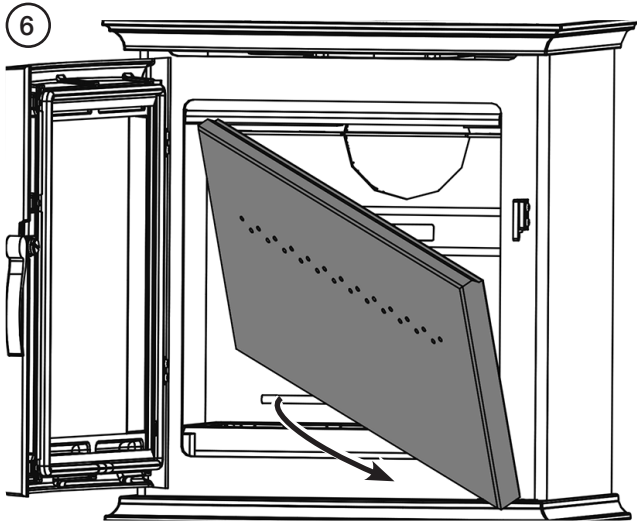


**BRICK PROTECTOR
- MULTI-FUEL ONLY**

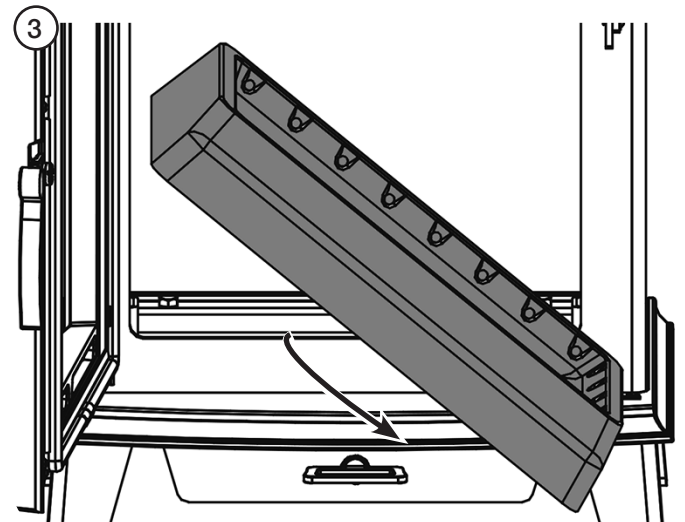


FIREBRICKS

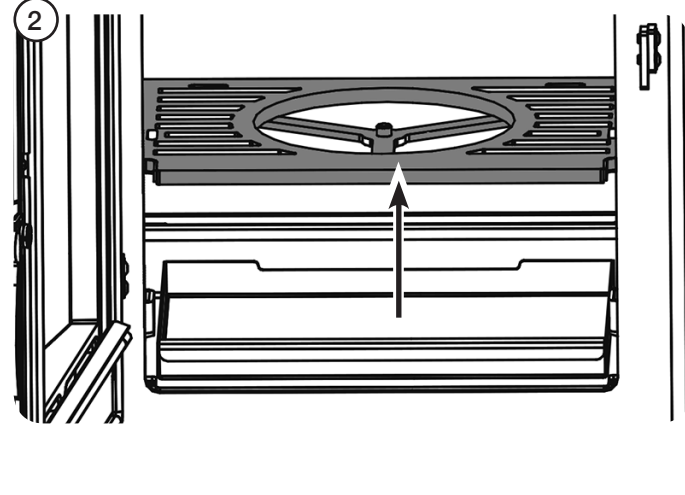
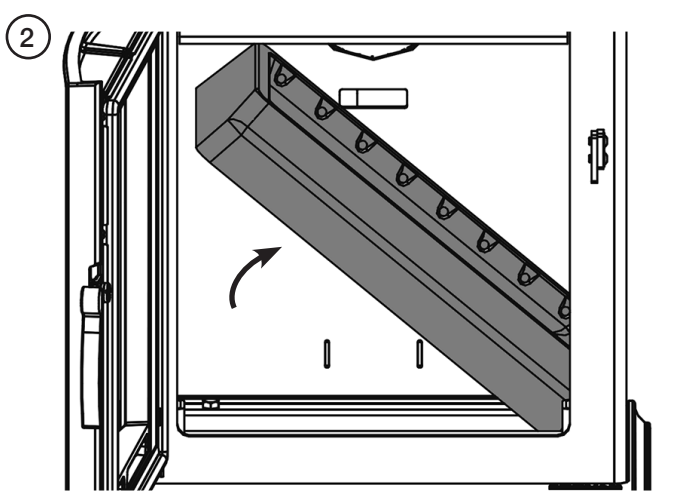
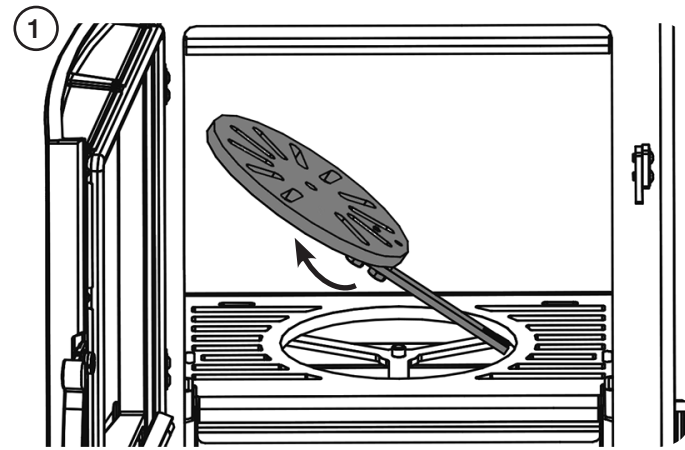
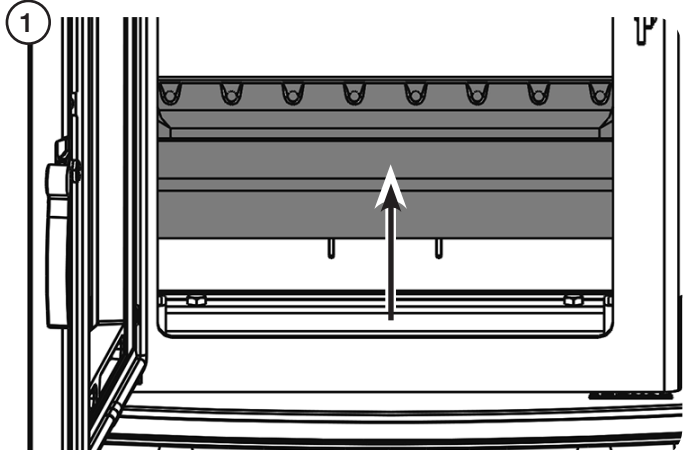




WOODBURNING TRAY - WOOD ONLY



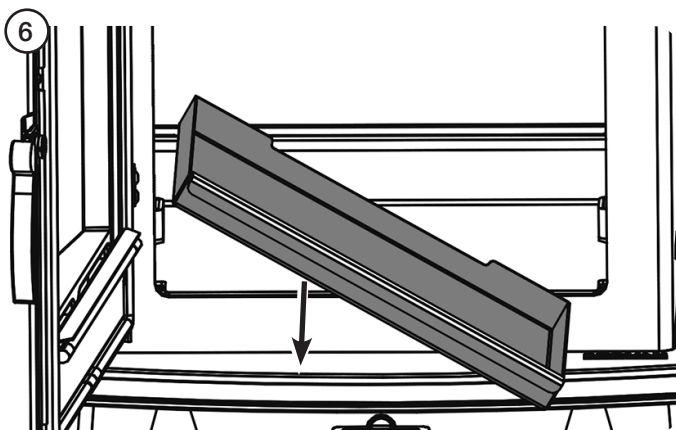
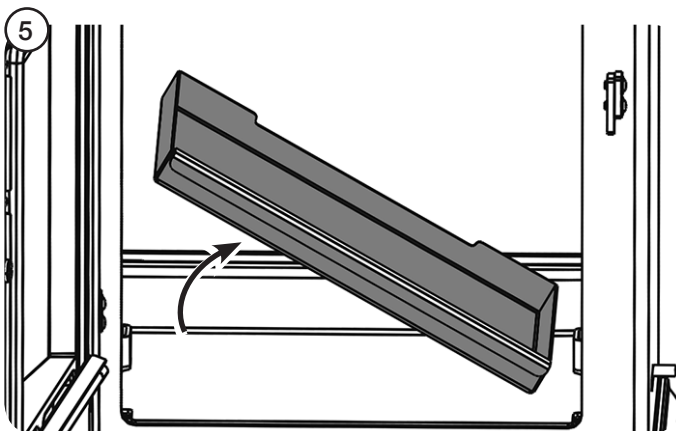
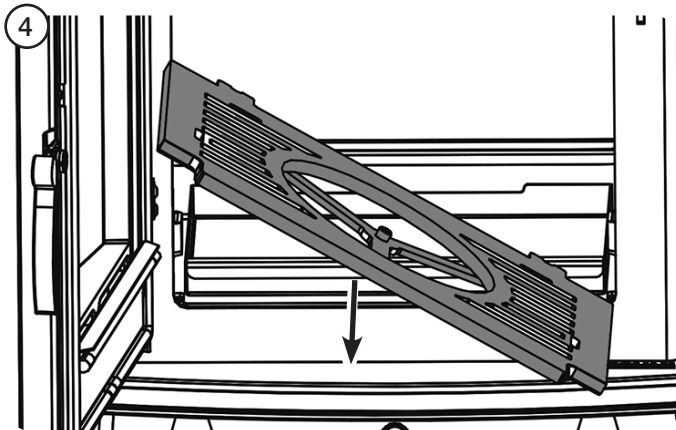
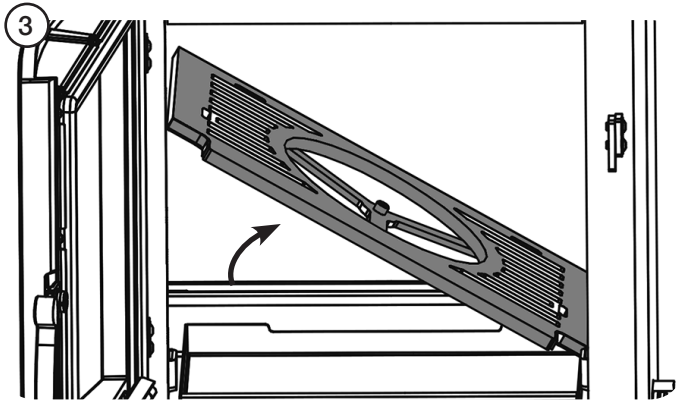
REMOVAL OF THE MULTI-FUEL GRATE (MULTI-FUEL MODELS ONLY)



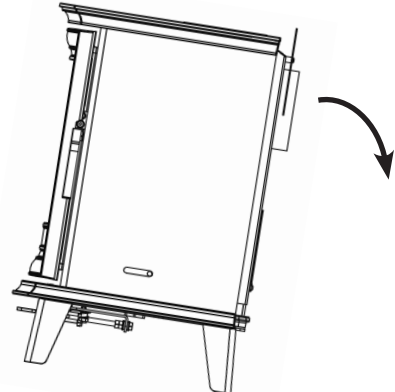
FITTING LONGER LEGS (OPTIONAL)

It is possible to swap the legs of the appliance for a longer equivalent.

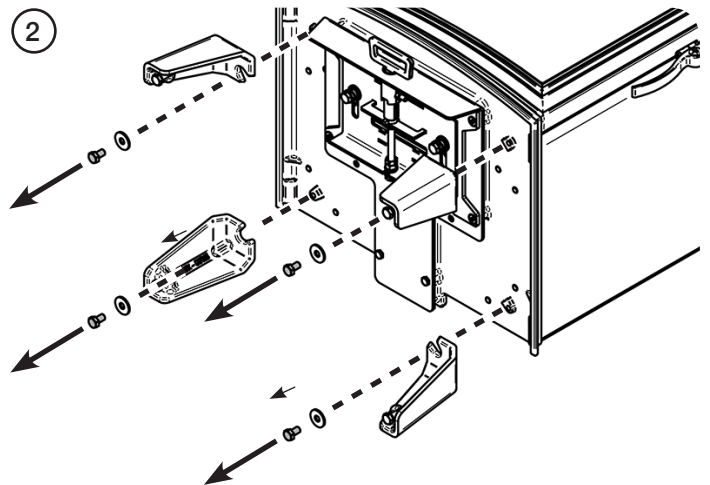
MODEL	PRODUCT CODE (SET OF 4)
Sheraton 5 & 5W	SHLEG170
Chesterfield 5 & 5W	705-807



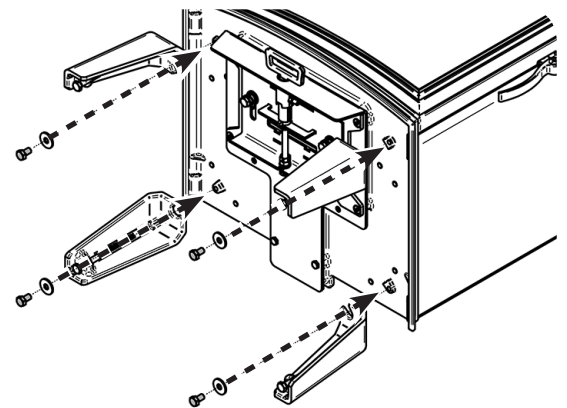
1



2



3



NOTE: Ensure the legs are stable, and do not move, wobble, or appear unsteady.

SMOKE CONTROL AREA SETTINGS

Mandatory for smoke control areas



MODIFICATION WILL NEED TO BE CARRIED OUT PRIOR TO INSTALLATION OF THE APPLIANCE.

WOOD BURNING MODELS



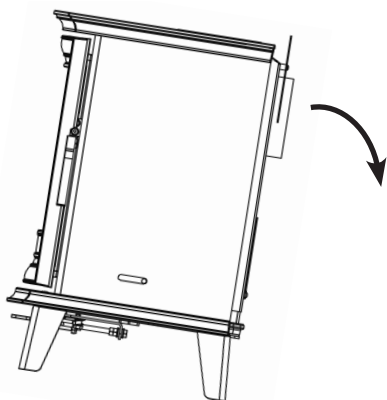
Woodburning appliances are supplied with a pre-fitted smoke control setting and has been independently tested to PD6434 making them exempt from the controls that generally apply in Smoke Control Areas.

THE SMOKE CONTROL FACILITY IS SUPPLIED DISABLED AND MUST THEREFORE BE MODIFIED BEFORE INSTALLATION, IN ORDER FOR THE APPLIANCE TO MEET THE REQUIREMENTS OF A SMOKE CONTROL AREA AND MUST BE OPERATED CORRECTLY IN ORDER TO MINIMISE THE AMOUNT OF SMOKE PRODUCED.

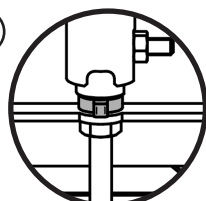
If this appliance is installed outside of a Smoke Control Area then the Smoke Control setting can be left disabled to give more control over the lower burn rates.

Any modifications to the setting should only be done by a suitably qualified installer and must be done at the time of installation.

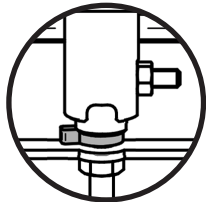
1



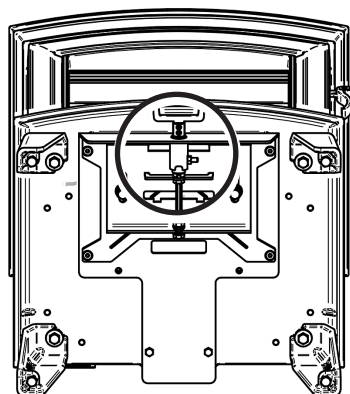
2



A. DISABLED



B. ENABLED



MULTI-FUEL BURNING MODELS



Multi-fuel appliances are supplied with an additional slide restrictor plate making them exempt from the controls that generally apply in Smoke Control Areas.

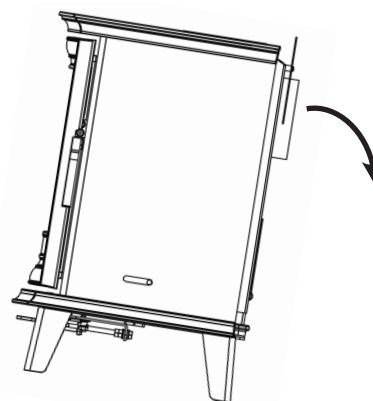
THIS PLATE IS SUPPLIED SEPARATELY AND THE APPLIANCE MUST BE MODIFIED BEFORE INSTALLATION, IN ORDER TO MEET THE REQUIREMENTS OF A SMOKE CONTROL AREA AND MUST BE OPERATED CORRECTLY IN ORDER TO MINIMISE THE AMOUNT OF SMOKE PRODUCED.

If this appliance is installed outside of a Smoke Control Area then there is no need to fit the supplied plate.

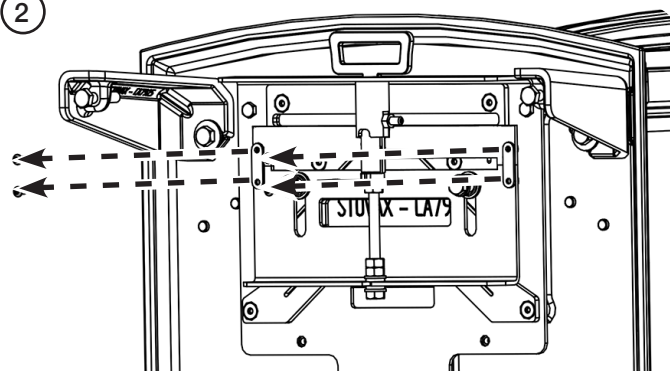
Any modifications to the setting should only be done by a suitably qualified installer and must be done at the time of installation.

APPLIANCE	PRODUCT CODE
Standard Model Multi-Fuel	705-562 / SH-5M-E
Wide Model Multi-Fuel	705-577 / SH-5WIDM-E

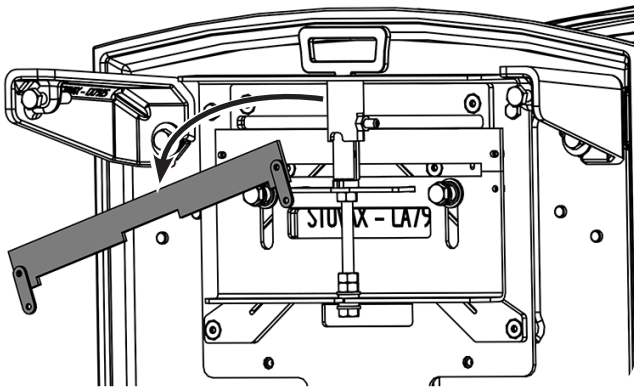
1



2



3



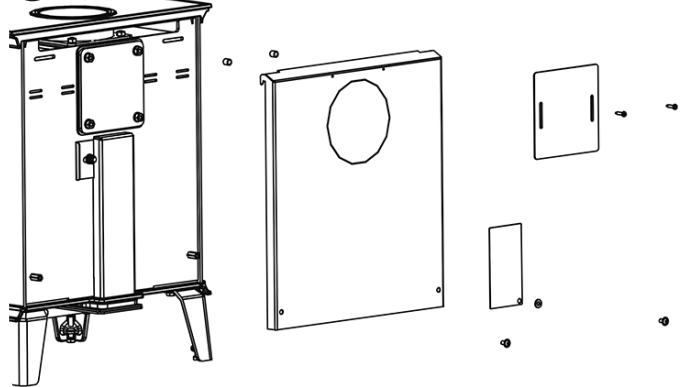
The Plate can now be replaced.

**TWIN WALL HEAT SHIELD
(TWIN WALL INSTALLATIONS ONLY)**

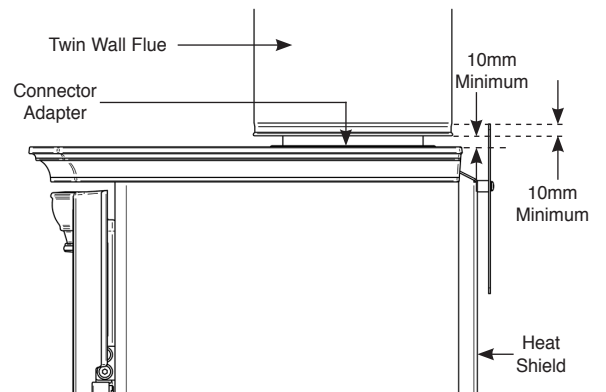


IF THE APPLIANCE IS TO BE INSTALLED IN A COMBUSTIBLE SETTING THE MINIMUM CLEARANCES CAN ONLY BE ACHIEVED USING A TWIN WALL FLUE SYSTEM AND HEAT SHIELD.

1



2



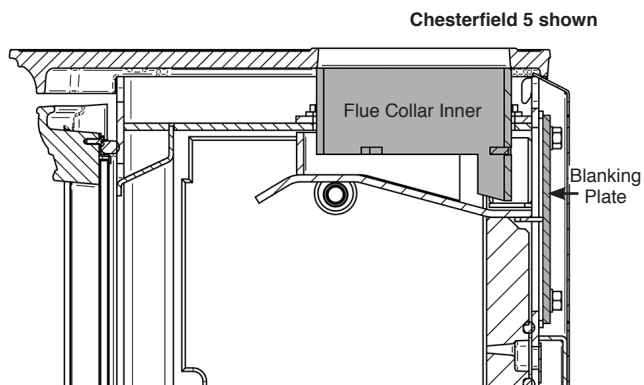
IMPORTANT

When installing the flue pipe, there must be no exposed single wall flue & a minimum 10mm expansion gap must be left between the Twin Wall flue & the top face of the Flue Collar.

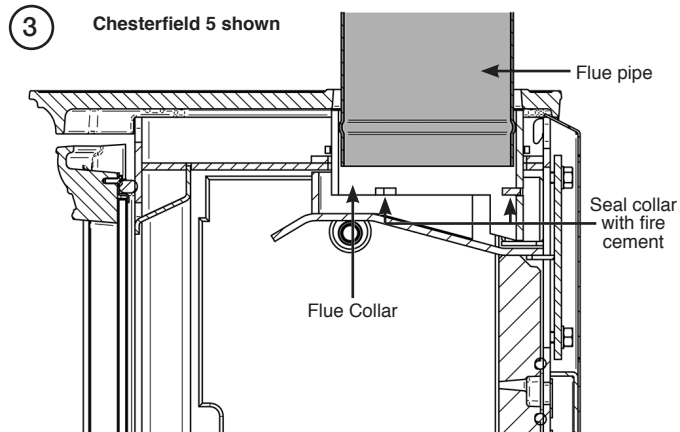
INSTALLING THE APPLIANCE

Take care when installing the appliance. Careless handling and use of tools can damage the finish and/or area.

The appliance is factory set with the blanking plate fitted on the rear outlet.



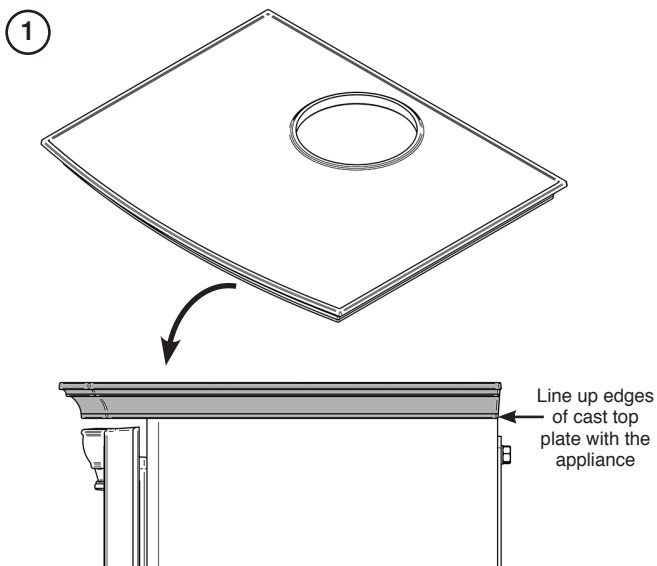
i The Flue must be installed in accordance with manufacturers instructions.



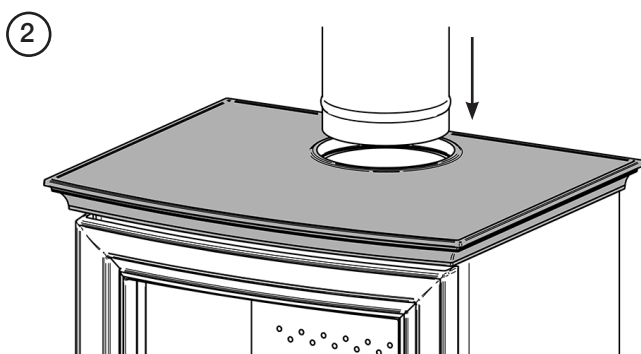
TOP FLUE INSTALLATION

CAST TOP PLATE

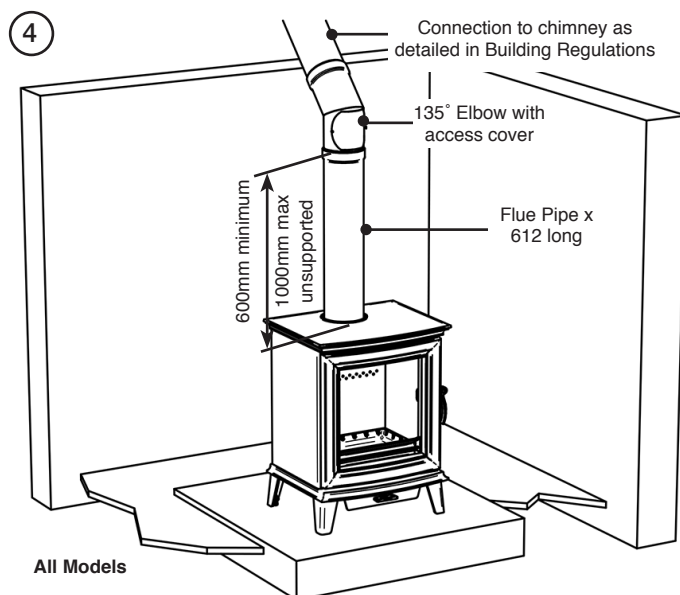
The cast top plate must be fitted prior to connecting the flue.



Seal the connecting joints.

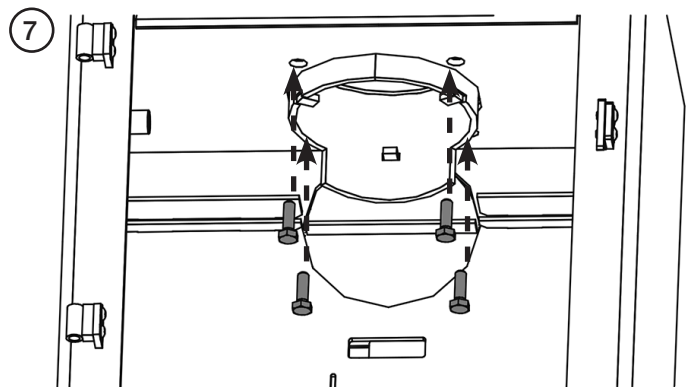
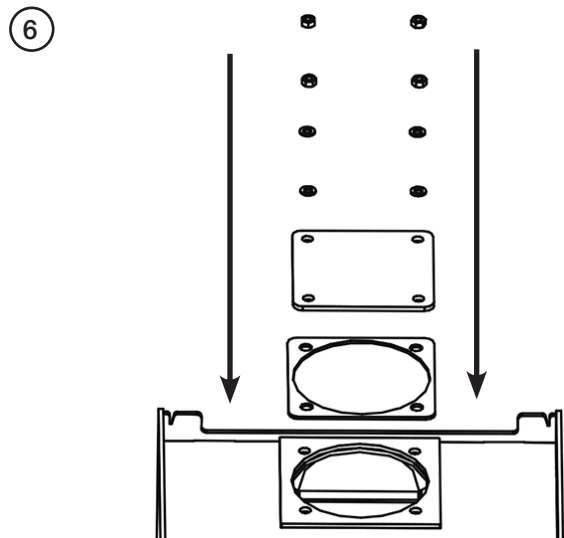
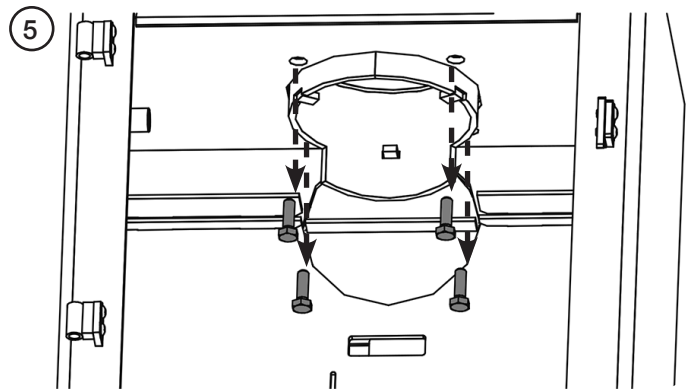
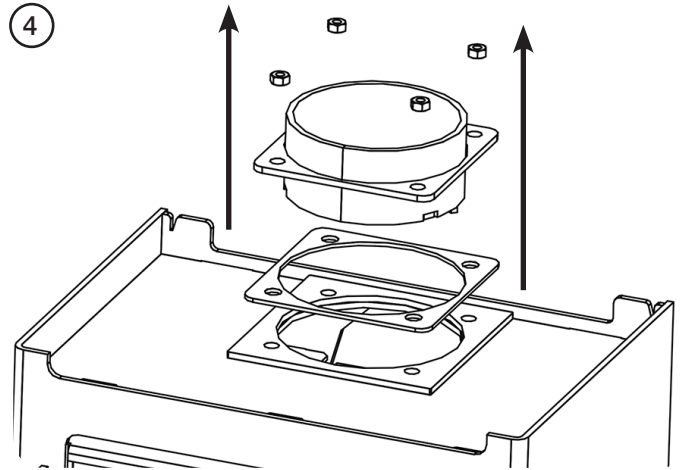
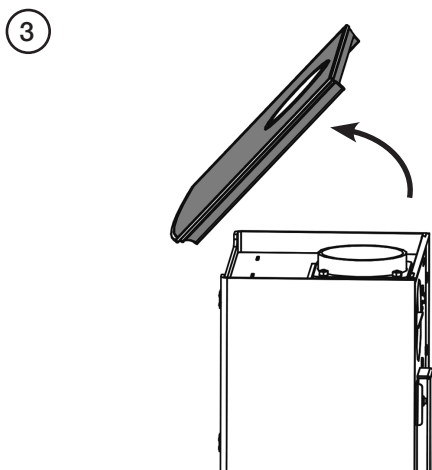
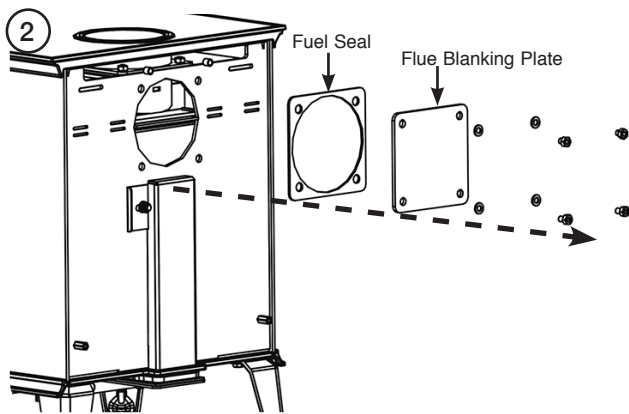
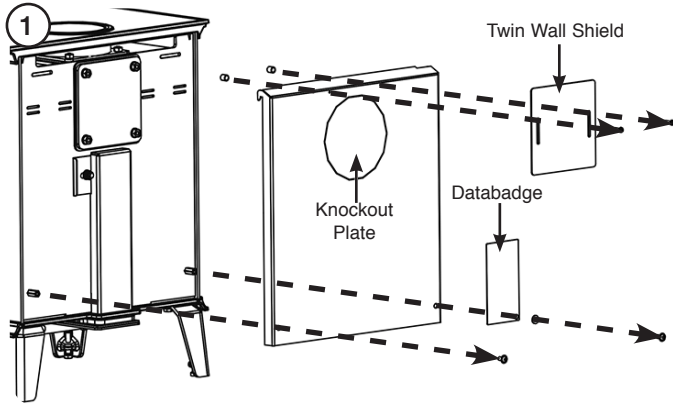


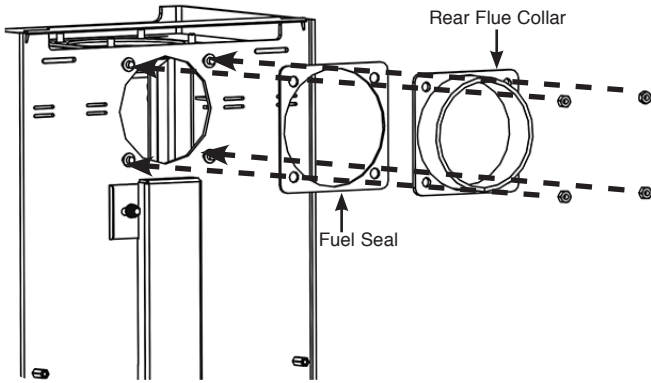
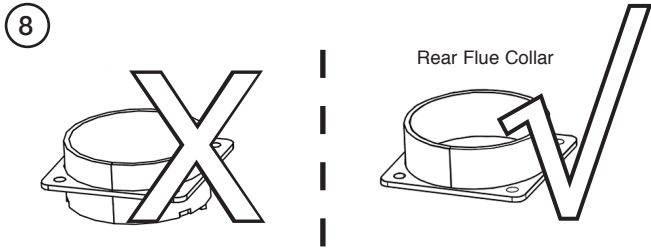
A TYPICAL TOP FLUE PIPE INSTALLATION



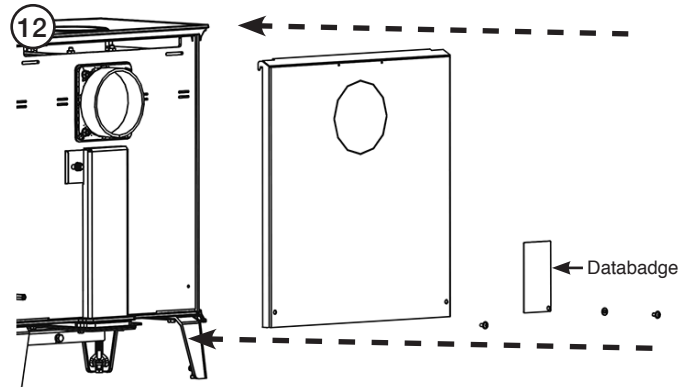
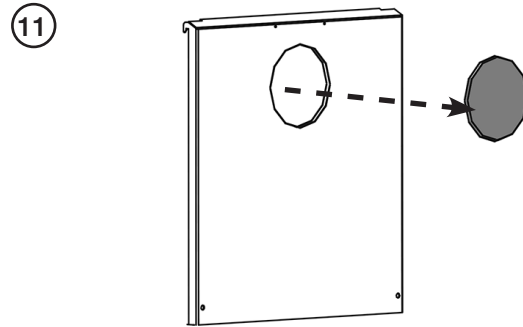
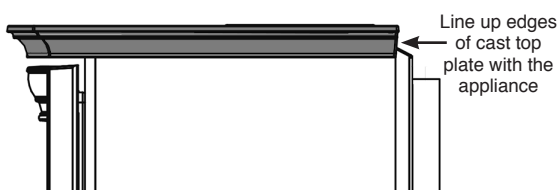
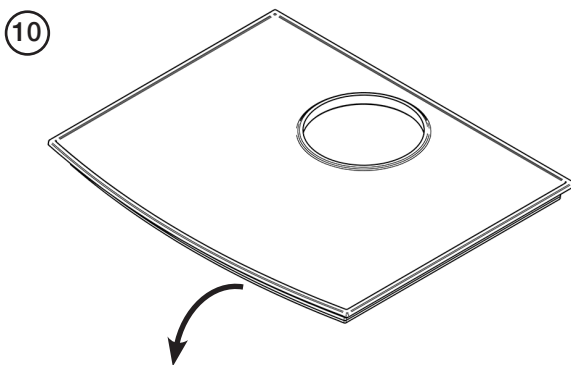
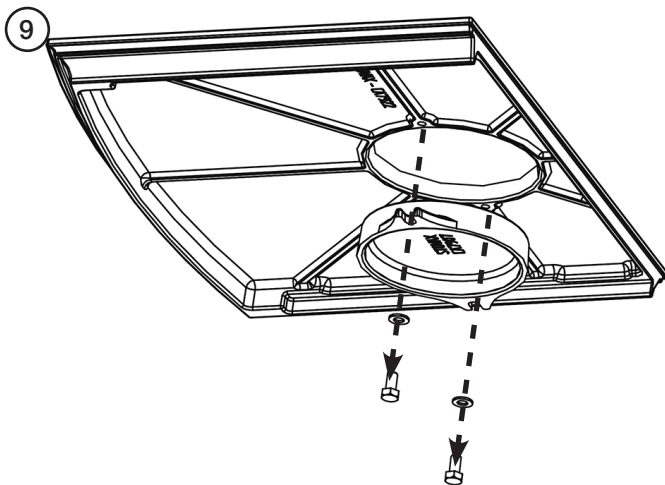
REAR FLUE INSTALLATION

i The appliance is factory set with the blanking plate fitted on the rear outlet. The plate will need to be removed and fitted to the top of the appliance prior to installation.

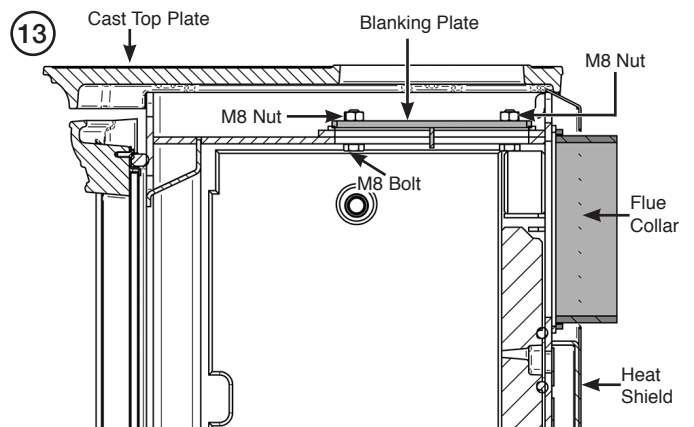




Seal to the firebox.

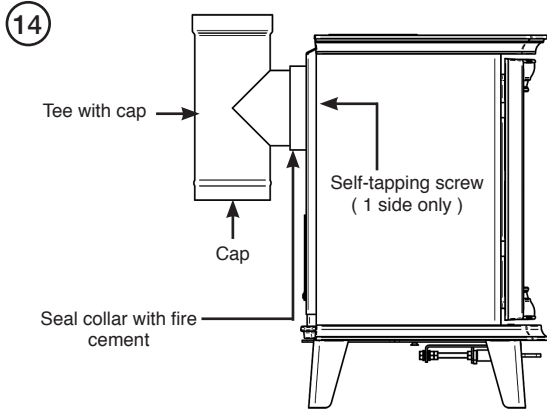


NOTE: The Databadge must be refitted to the heat shield once installation is complete.

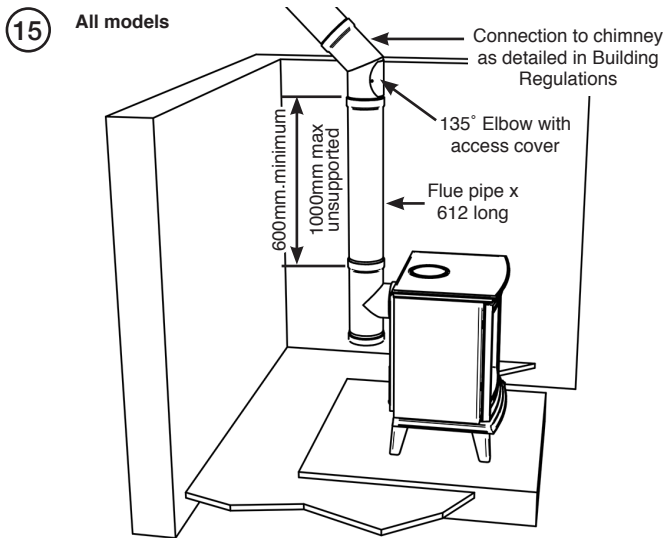


The following flue pipe is available to ensure safe installation:

5" Tee	Stovax Product Code 4516
5" 135° Bend	Stovax Product Code 4512
5" Flue Pipe x 612mm long	Stovax Product Code 4501



A TYPICAL REAR FLUE PIPE INSTALLATION



Replace internal components.

CO ALARMS

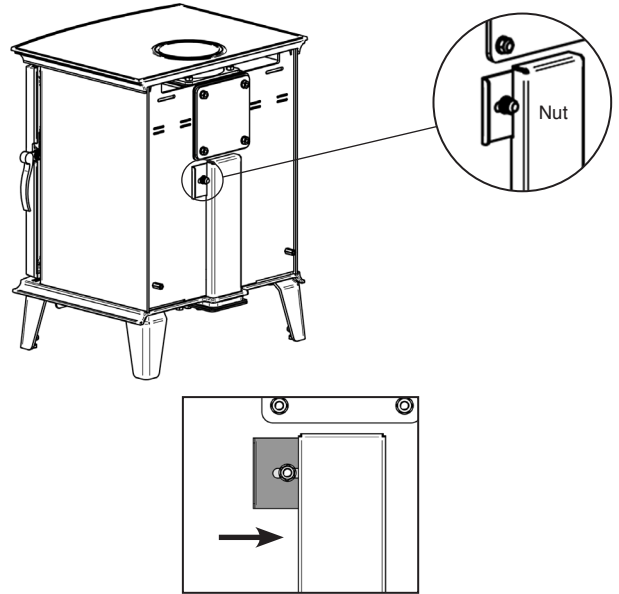
All open flued appliances can be affected by temporary atmospheric conditions which may allow fumes to enter the house. **Building regulations require that whenever a new or replacement fixed solid fuel or wood/biomass appliance is installed in a dwelling a carbon monoxide alarm, complying with BS EN50291, must be fitted in the same room as the appliance. Further guidance on the installation of the carbon monoxide alarm is available in the latest edition of BS EN50292 and from the alarm manufacturer's instructions.**

HETAS recommend the unit is permanently fixed in accordance with the manufacturer's installation instructions or with the guidance contained in Approved Document J where no other information is available.

Provision of an alarm must not be considered a substitute for either installing the appliance correctly or ensuring regular servicing and maintenance of the appliance and chimney.

SECONDARY AIR CONTROL

The Secondary Air control is factory set to 50% for storage and transit. However, Stovax recommends the following setting:



Once the required adjustment has been achieved, tighten the nut to secure the slider.

WARNING: DO NOT modify the secondary air control slider.

OUTSIDE AIR KIT

This appliance can be fitted with an optional kit to help bring air directly into the appliance from outside. For installation and operating procedures refer to the instructions supplied with the Outside Air kit - Stovax Part No PM1654.

APPLIANCE	PART NO.
Standard Model	SH-5AIR
Wide Model	SH-5WIDAIR

COMMISSIONING

To commission:

- Replace the internal components.
- Check the door alignment and catch operation and adjust if required.
- Check the soundness of door seals, castings and joints.
- Check the operation of the air controls.

Now carry out a final smoke draw test:

- Warm the flue with a blowlamp, or similar, for about 10 minutes.
- Place a smoke pellet on the centre of the grate, with the air controls open.
- Close the door. Smoke should now be drawn up the flue and be seen to exit from the flue terminal.
- Complete test with all doors and windows closed in the room where the appliance is fitted.
- If there are any extractor fans in adjacent rooms the test must be repeated with the fans running on maximum and with interconnecting doors open.
- Check the effect of ceiling fans during the test.

If excessive spillage occurs allow the appliance to cool and re-check the flue system and ventilation.

Finally:

- Explain to the user the correct operation of the appliance, use of the controls and the importance of only using suitable fuels in order to reduce smoke emissions - particularly if they live in a Smoke Control Area.
- Ensure that a CO alarm has been fitted and make the user aware of its operation and importance, referring them to the Warning section on page 5 of the User Instructions.
- Explain the cleaning and routine maintenance requirements.
- Explain the requirement to use a suitable fireguard when children, elderly or infirm persons are near the appliance.
- Record retailer/supplier and installer details in Appliance Commissioning Checklist.
- Record serial number in Appliance Commissioning Checklist.

This number is required when ordering spare parts and making warranty claims.
- Give this instruction manual to the customer.

SERVICING

For a complete list of spare parts and accessories contact your Stovax or call 01392 474011

Before the start of the heating season strip, inspect and clean the appliance as detailed:

- Allow appliance to cool.
- Remove all internal parts: baffle, log guard, cast bases and firebricks.
Take care handling firebricks as they can become fragile after a period of use.
- Sweep the appliance at this point if necessary.
- Vacuum clean any remaining ash and debris from the inside of the appliance. Stovax offer a filter/collection attachment for vacuum cleaners to protect them from fire ash: Ash Clean (Stovax Part No. 2091).
- Check the parts for any damage. Replace any damaged parts using genuine Stovax replacements parts.
- Check and clean the firebricks with a soft brush.
Some surface damage will occur during use. The life of the bricks will depend on the type of fuels burnt and the level of use.
Replace damaged bricks as soon as possible.
- Re-fit cleaned internal parts.
- **Use Stovax Glass Cleaner.**

Do not use abrasive cleaners to remove tar or soot deposits from the glass.
- Fit new door rope seal.
- Lightly oil the door catch mechanism and hinge pins. Avoid getting oil onto the door seals and glass.
- To refresh painted finishes a touch up spray is available.
Contact your Stovax retailer quoting the serial number found on the appliance data badge.

Use genuine Stovax replacement parts to keep the appliance in safe, efficient working order. This is a list of the maintenance products that may need be required:

Products to assist in the cleaning and maintenance of your Chesterfield are available online at www.stovax.com or from your local Stovax dealer which, along with regular maintenance and use of correct fuels, will keep the appliance in the best possible condition.

For more information about the Stovax Group products please visit our web site at www.stovax.com

Burn at a low temperature for the first day of use after any maintenance. This allows the seals, fixing glues and paint to fully cure.

During this time the appliance may give off some unpleasant odours. Keep the room well ventilated to avoid a build-up of fumes.

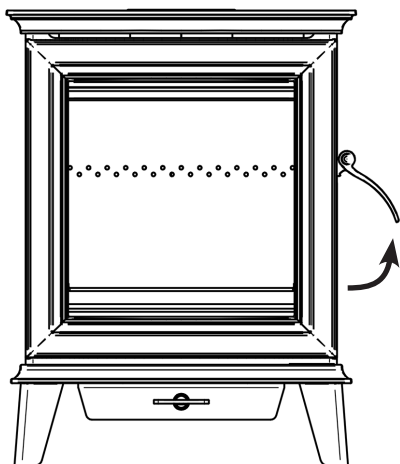
Your Stovax dealer can carry out service and maintenance.

TASK	PRODUCT NAME
Preventing build-up of creosote in flue	Protector (15 sachets)
	Protector (1kg tub)
Sealing flue pipe joints	Fire Cement (500g tub)
	Fire Cement (600g cartridge)
Re-painting	Touch Up Paint (150ml aerosol)
Protecting your hands	Heat resistant leather gloves
Thermic seal glue	(50ml bottle)
Cleaning Glass	Stovax Glass Cleaner (No. 4103)
Ash Clean	Vacuum Cleaner Attachment

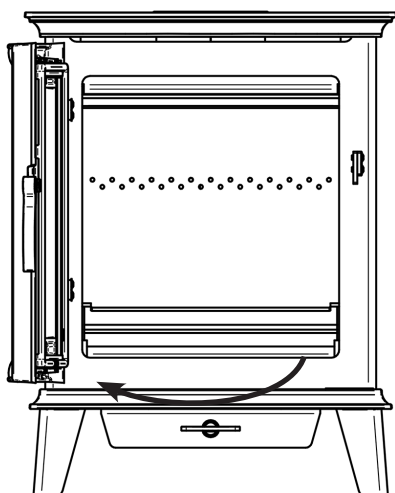
FITTING A NEW DOOR GLASS OR GLASS

Chesterfield Shown

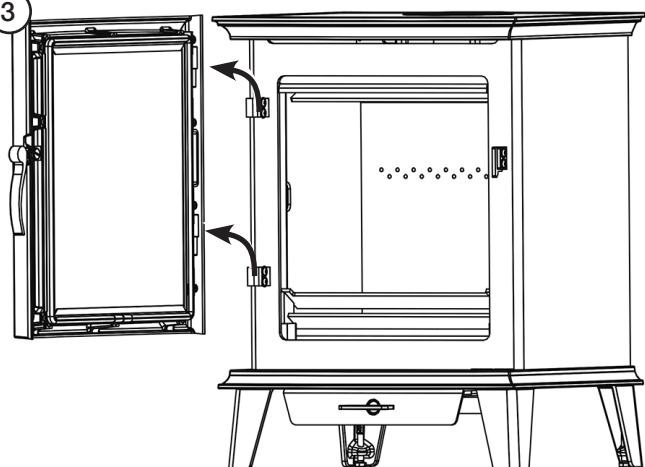
1



2



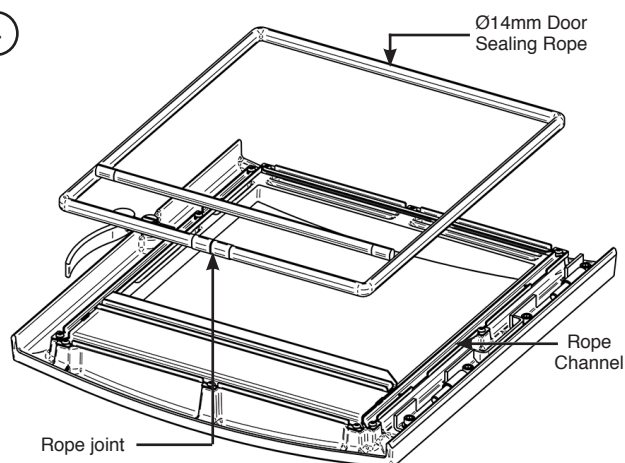
3



Lay the door face down on a soft flat surface, to protect the paint-work and glass.

DOOR SEAL

4



Remove the old rope and scrape old glue from the locating groove.

Clean the locating groove with a clean dry cloth to remove all old dust and debris.

Squeeze a generous bead of fresh Stovax Thermic Seal glue into the rope locating groove.

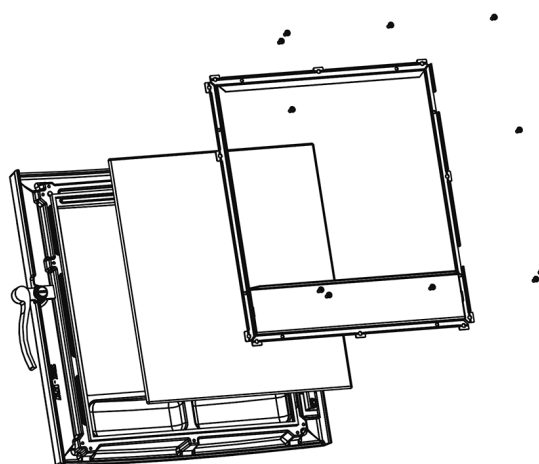
Press the new Stovax rope into the locating groove, placing the joint in the middle of the lower edge of the door,

DOOR GLASS



USING THE APPLIANCE WITH A DAMAGED DOOR GLASS COULD CAUSE DANGEROUS FUMES TO ENTER THE ROOM, OR THE APPLIANCE TO OVER-FIRE, RESULTING IN DAMAGE.

5



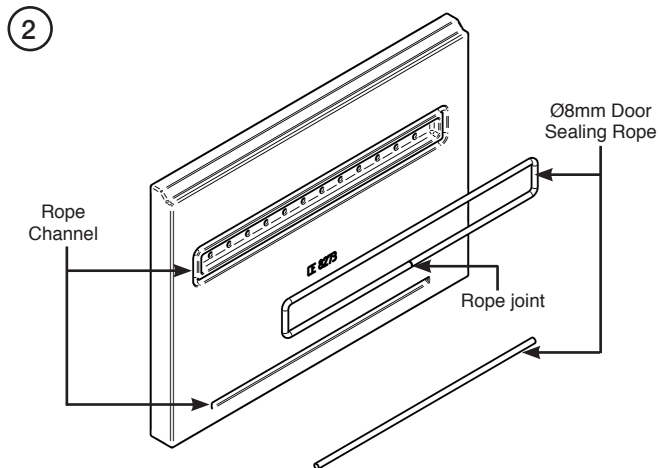
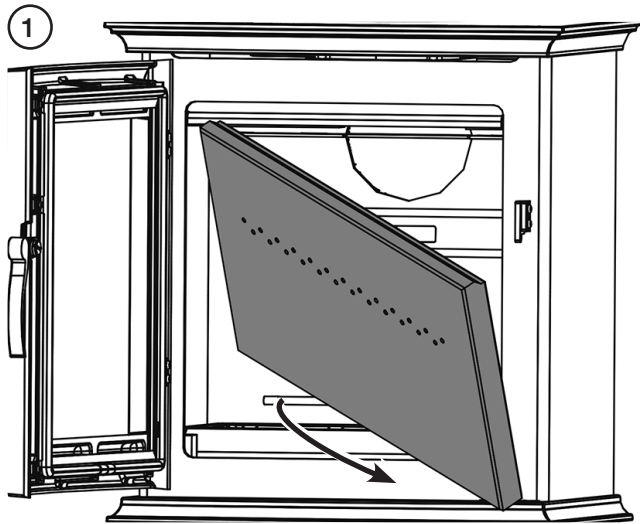
Take note of the roping around the edge of the door glass around the edge. This will also need replacing.

Dispose of the old glass safely.

FITTING A NEW BACK BRICK SEAL

The reverse of the back brick has a small sealed vent to allow circulation of secondary air through the appliance.

To maintain the safe use of your appliance you need to replace damaged or worn sealing rope.



i NOTE: Applying Thermic Seal is not necessary.

ADJUSTING THE DOOR HINGES

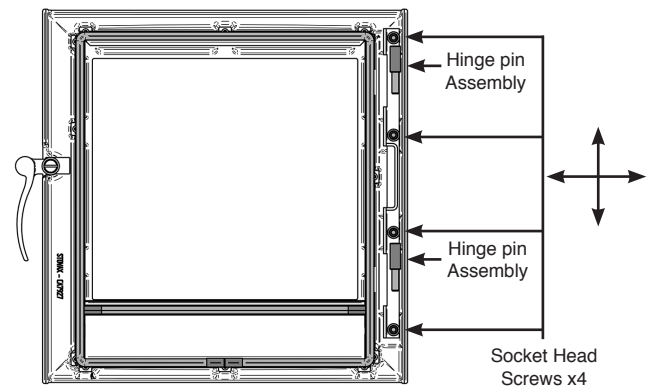
To maintain the safe use of your appliance, you may need to adjust the door hinges to ensure the door closes safely and correctly.

The door can be adjusted in 2 different places:

- Door Hinge Pin Assembly.
- Hinge Blocks on Firebox.

DOOR HINGE PIN ASSEMBLY

The hinge pin assembly is slotted so it can be adjusted up or down and sideways approximately 3mm.

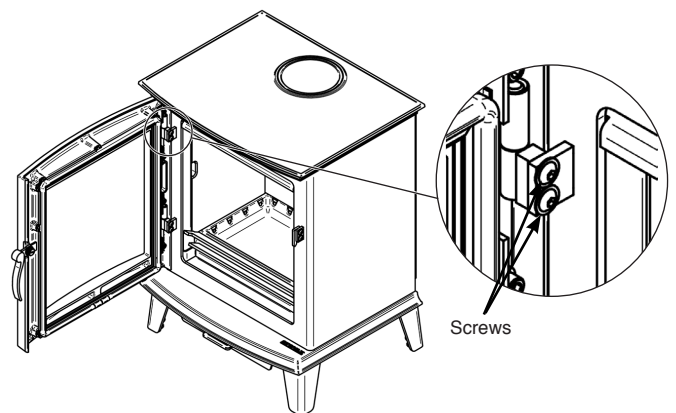


The hinge pin assembly is slotted so it can be adjusted up or down and sideways approximately 3mm.

Once the desired position has been achieved ensure the 4 socket head screws are firmly tightened against the hinge block assembly to maintain the position.

HINGE BLOCKS ON FIREBOX

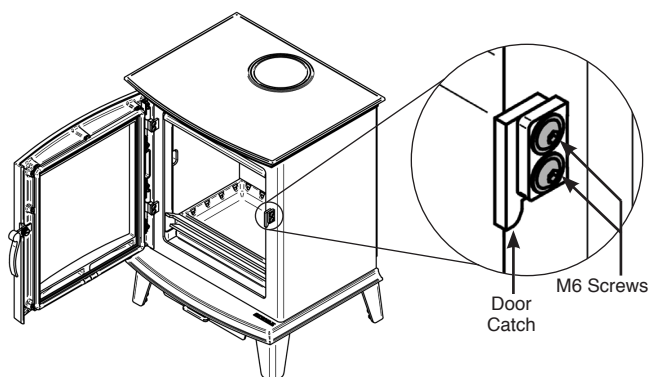
The hinge block allows front to back adjustment to allow the seal between the door and firebox to be improved, if required.



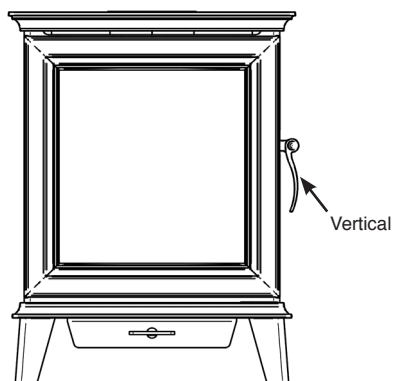
Once the desired position has been achieved ensure the screws are firmly tightened.

ADJUSTING THE DOOR CATCH

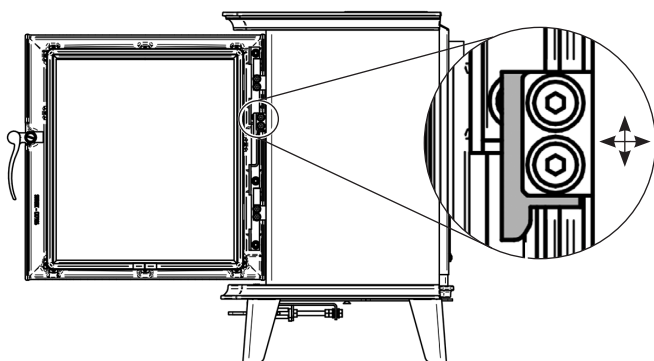
Chesterfield Shown



Adjust the latch height so that the door handle sits vertically when closed.



Adjust the latch forwards or backwards to ensure the door pulls tightly closed and the rope seals against the stove.

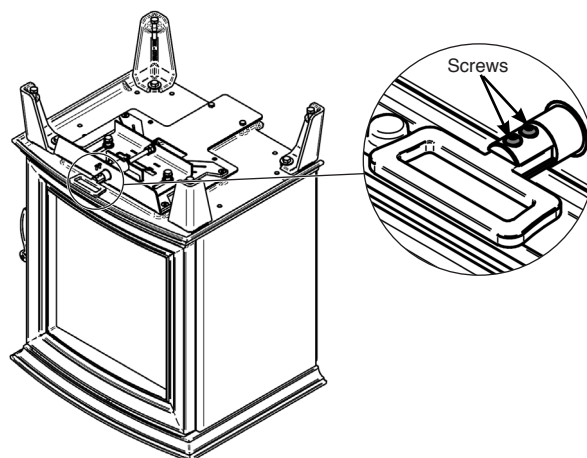


Fully tighten the Button Head Screws to secure the Catch.

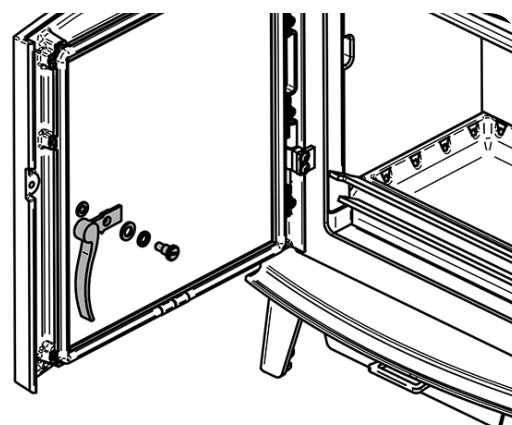
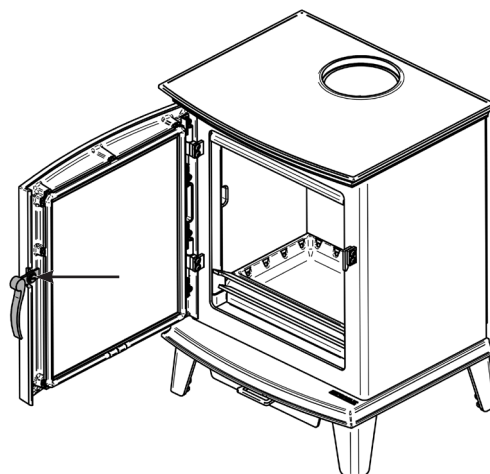
Open and close the door several times to check the adjustment.

REPLACING THE HANDLES

AIR CONTROL HANDLE



DOOR HANDLE



Using a flat head screw driver carefully remove the screw that secures the handle to the door. Replace the new handle using thread lock on the screw thread. Ensure the washers are replaced in the correct order.

FINAL CHECKS

Following these adjustments check that the door:

- Does not come into contact with the log guard.
- Passes the paper sealing test.
- Aligns with the sides and top of the appliance.

LEGAL REQUIREMENTS

Before installation and/or use of this appliance please read these instructions carefully to ensure that all requirements are fully understood.

The appliance must be fitted by a registered installer, or approved by your local building control officer.

It is very important to understand the requirements of the national Building Regulations and standards, along with any local regulations and working practices that may apply. Should any conflict occur between these instructions and these regulations then the regulations must apply.

Your local Building Control Office can advise regarding the requirements of the regulations.

Works must be carried out with care to meet the requirements of Health and Safety and comply with the Health and Safety rules, and any new regulations introduced during the lifetime of these instructions. Particular attention should be drawn to:

- **Handling:** The appliance is heavy. Adequate facilities must be available for loading, unloading and on site handling.
- **Fire Cement:** Some fire cement is caustic and must not come into contact with the skin. Protective gloves must be worn. Wash hands thoroughly with plenty of water after contact with skin.
- **Asbestos:** This appliance contains no asbestos. If there is the possibility of disturbing any asbestos in the course of installation seek specialist guidance and use appropriate equipment.
- **Metal Parts:** Take care when installing or servicing the stove to avoid personal injury.

A faulty installation can cause danger to the inhabitants and structure of the building.

For users of this appliance:

Your building insurance company may require you to inform them that a new heating appliance has been installed on your property. Check that your cover is still valid after installing the appliance.

FLUE OR CHIMNEY

The flue or chimney system must be in good condition. It must be inspected by a competent person and passed for use with the appliance before installation.

Products of combustion entering the room can cause serious health risks.

The following must be checked:

- The construction of the masonry chimneys, flue block chimneys and connecting flue pipe system must meet the requirements of the Building Regulations.
- A flexible flue liner system can be used if certified for use with solid fuel systems and installation complies with manufacturer's instructions and Building Regulations. The flue liner must be replaced when an appliance is replaced, unless proven to be recently installed and in good condition.

- If it is necessary to fit a register plate it must conform to the Building Regulations.
- The minimum height of the flue or chimney must be 4.5m from the hearth to the top of the flue, with no horizontal sections and a maximum of 4 bends. Bends must have angles of less than 45 degrees from the vertical.
- There should be at least 600mm of vertical flue pipe above the appliance before any bends are introduced.
- Ensure the connecting flue pipe is kept a suitable distance from any combustible material and does not form part of the supporting structure of the building.
- The installer must ensure the flue pipe diameter is not less than the diameter of the outlet of the appliance and does not narrow to less than the size of the outlet at any point in the system.
- Make provision to remove the appliance without the need to dismantle the chimney.
- Any existing flue must be confirmed as suitable for the new intended use as defined in the Building Regulations.
- The flue or chimney systems must be inspected and swept to confirm the system is structurally sound and free from obstructions.
- If the chimney is believed to have previously served an open fire it must be swept a second time within a month of regular use after installation to clear any soot falls that may have occurred due to difference in combustion levels.
- The flue exit from the building must comply with local building control rules.
- Chimney heights and/or separations may need to be increased in particular cases where wind exposure, surrounding tall buildings, high trees or high ground could have adverse effects on flue draught.
- Do not connect or share the flue or chimney system with another heating appliance.

Do not connect to systems containing large voids or spaces over 230mm square.

Suitable access must be provided to enable the collection and removal of debris.

The flue must be swept and inspected when the appliance is installed.

Flue Draught

The flue draught must be checked with all windows and doors closed and any extraction fans in this, or adjoining rooms, running at maximum speed (see Installation Checklist for ventilation requirements).

TWIN WALL FLUE SYSTEM

If this appliance is to be used in conjunction with a twin wall flue system then Stovax recommend the use of their Professional XQ range. Details of this product are available from your Stovax retailer.

VENTILATION

Many older buildings are sufficiently ventilated by natural leakage of air to provide suitable air supply for an appliance of 5kW output or less.

Modern building techniques have reduced the amount of air that leaks in or out of a house. A modern construction with an air tightness of less than 5m³ per hour per m² requires an air vent for **ALL** solid fuel appliances including those with a rated heat output of less than 5kW.

NOTE: The air leakage of a modern house is tested at the completion of construction and a certificate issued confirming this.

This appliance requires a constant supply of air to maintain proper combustion and effective flue performance.

An inadequate air supply can result in poor combustion and smoke entering the room which is potentially dangerous.

This supply of air can come from either:

- Purpose provided ventilation.
- Some Stovax appliances can also be fitted with an optional outdoor air kit which allows air to be drawn in from the outside.

The amount of air required must comply with local building regulations and the rules in force.

If spillage is detected during commissioning then there may be insufficient natural ventilation and an additional air supply will be necessary.

Permanent air vents should be non-adjustable and positioned where they are unlikely to become blocked.

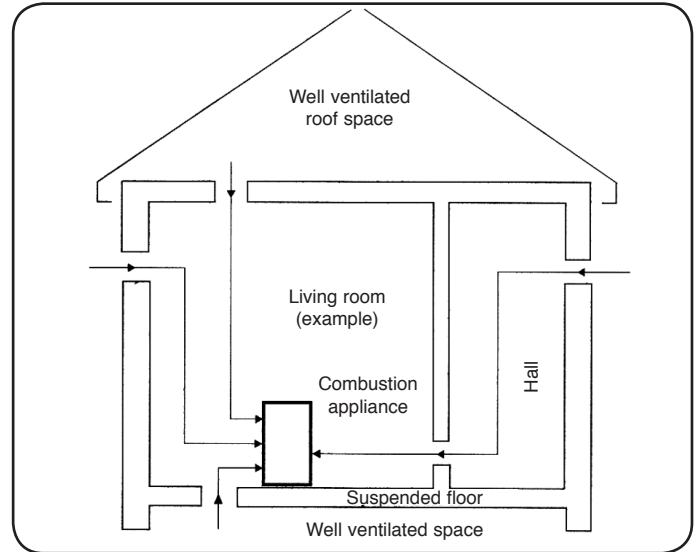
If vents open into adjoining rooms or spaces there must be an air vent of at least the same size direct to the outside.

Site the vents where cold draught is unlikely to cause discomfort. This can be avoided by placing vents near ceilings or close to the appliance (See diagram).

Extractor fans or cooker hoods must not be placed in the same room or space as this can cause the appliance to emit fumes into the room.

Increase air supply provisions where a room contains multiple appliances.

If any checks reveal problems do not proceed with the fitting of the appliance until they have been rectified.



BUILDERS OPENING

Many fireplace openings have a supporting lintel. Remove the covering plaster to identify its position before starting any constructive work. Do not remove constructional lintels without making provision to support the remaining structure of the building. The appliance must not form any part of the supporting structure.

The chimney/flue must have a sealed connection to the appliance flue spigot.

The structure of the builders opening will reach high temperatures. Use insulating blockwork to reduce the heat transfer to the external walls.

Take care when finishing the chimney breast and surrounding area. The conducted and convected heat emitted by the appliance could be high enough to crack normal plaster. Use a high temperature plaster, or face the area with a suitable non combustible board avoiding any joints above the appliance. New plaster should be fully dried before the appliance is used, or cracking could occur.

If you are in any doubt about your ability to produce a safe opening contact your Stovax dealer for professional advice.

FIRE SURROUND CLEARANCES

We recommend you obtain expert advice before proceeding with work of this nature.

Some finishes may discolour with heat and some lower quality products may distort, or crack, when in use.

If stone / granite / marble or any other natural material is used to construct the fire surround, or any part of it, provision should be made for expansion and movement of the parts due to heating and cooling.

If you are in any doubt about the installation requirements, or suitability of fire surrounds contact your Stovax dealer.

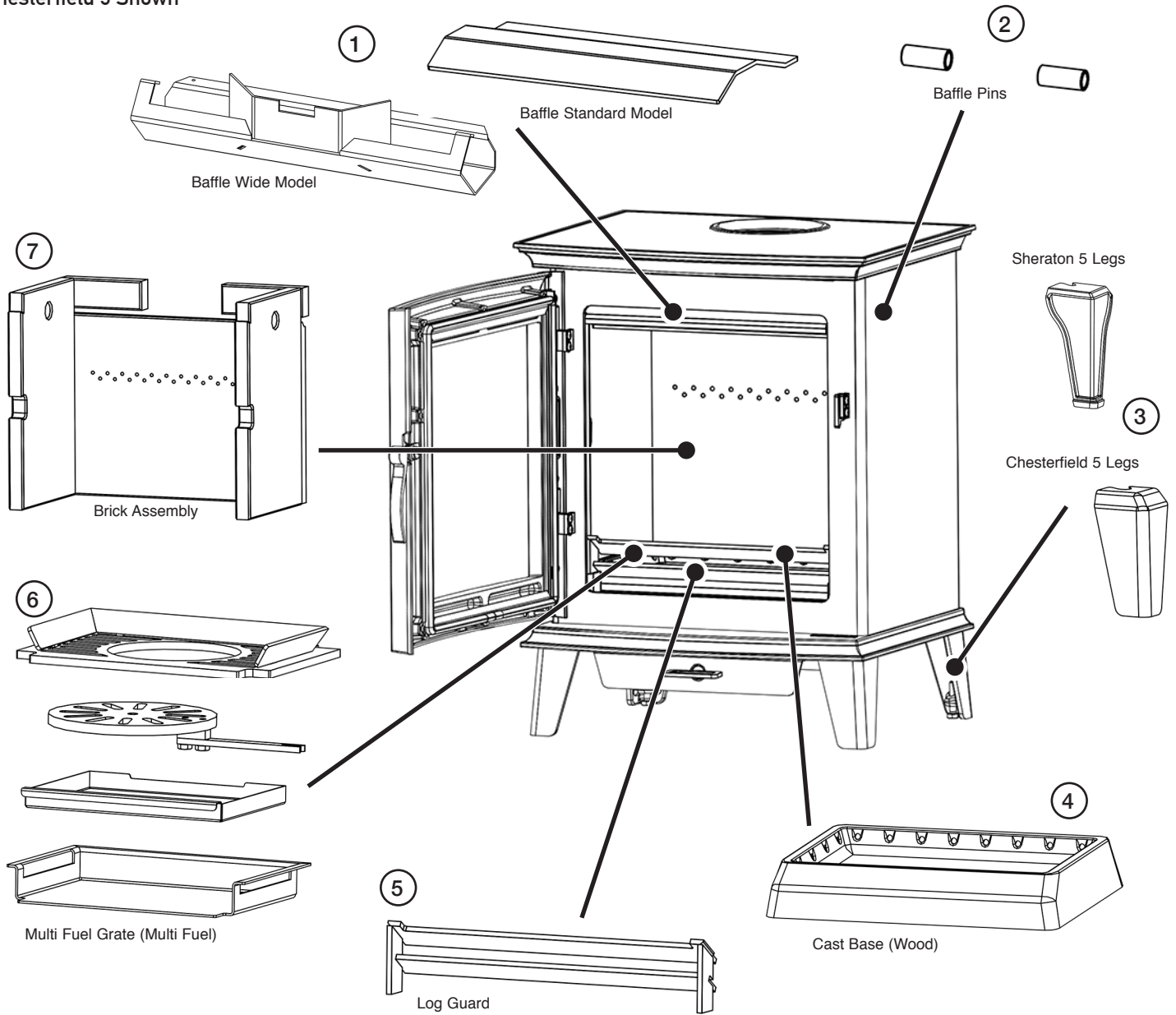
All fire surrounds should be suitable for use with solid fuel heating products.

**PRODUCT FICHE -
INFORMATION REQUIREMENT FOR SOLID FUEL LOCAL SPACE HEATER**

Model	Chesterfield 5 Wood	Sheraton 5 Wood	Chesterfield 5 Multi-Fuel	Sheraton 5 Multi-Fuel	Chesterfield 5 Wide Wood	Sheraton 5 Wide Wood	Chesterfield 5 Wide Multi-Fuel	Sheraton 5 Wide Multi-Fuel
Energy Efficiency Class	A	A	A+	A+	A	A	A	A
Direct Heat Output (kW)	5.0	5.0	5.0	5.0	5.0	5.0	5.0	5.0
Indirect Output (kW)	-	-	-	-	-	-	-	-
Energy Efficiency Index (EEI)	104	104	106	106	101	101	102	102
Useful Energy Efficiency at Nominal Heat Output	77.6%	77.6%	79.5%	79.5%	75.6%	75.6%	76.5%	76.5%
Safety Precautions	Appliance must be installed, Used and Maintained in accordance with the manufacturers instructions supplied							

SPARE PARTS

Chesterfield 5 Shown



MODEL	1	2	3 Short Leg	4	5	6	7 Wood	7 Multi-Fuel
Sheraton 5	MEC11836	ME601731	CA7902	CA7824	MEC11472	See Multi Fuel Assembly - Page 34	MEC10981	MEC10823
Sheraton 5W	MEC11877	ME601731	CA7902	CA7833	MEC11501		MEC10767	MEC11153
Chesterfield 5	MEC11836	ME601731	CA7925	CA7824	MEC11472		MEC10981	MEC10823
Chesterfield 5W	MEC11877	ME601731	CA7925	CA7833	MEC11501		MEC10767	MEC11153

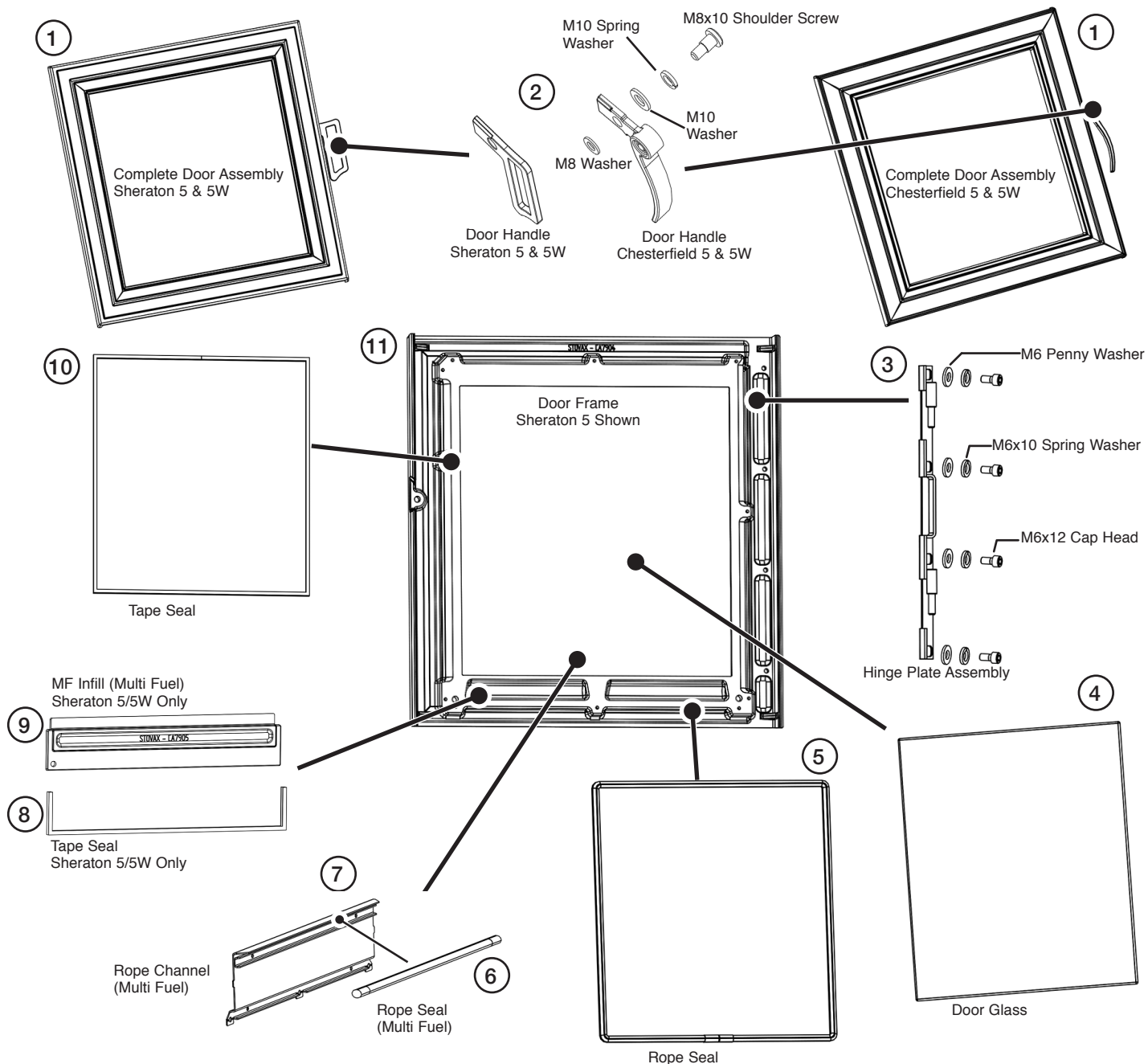


Due to continual technical improvements please check online or with your Stovax retailer for the most up to date parts lists.

Only use Genuine Stovax spares when servicing your appliance.

All of our essential spare parts and consumable items are available to purchase from our webshop at www.stovaxspares.com.

DOOR ASSEMBLY



MODEL	1		2	3	4		5
	Wood	Multi-Fuel			Wood	Multi-Fuel	
Sheraton 5	MEC11466	MEC11469	ME602112	MEC10736	CE8191	CE8386	4999
Sheraton 5 W	MEC11502	MEC11503	ME602112	MEC10736	CE8233	CE8392	4999
Chesterfield 5	MEC11705	MEC11711	CA7930	MEC10736	CE8191	CE8191	4999
Chesterfield 5 W	MEC11709	MEC11712	CA7930	MEC10736	CE8233	CE8233	4999

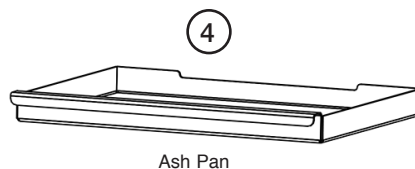
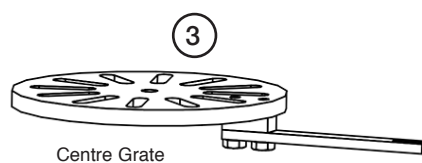
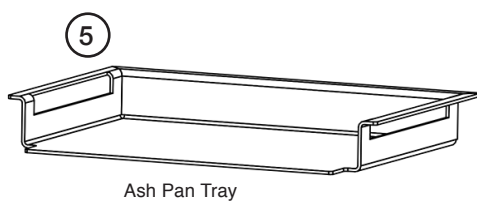
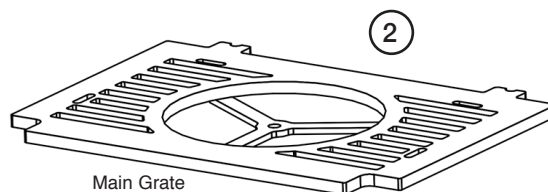
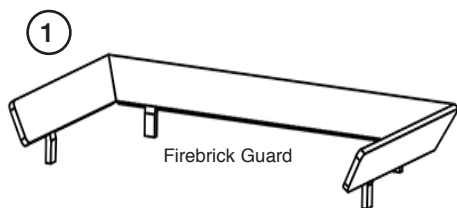
MODEL	6	7	8	9	10	11	
						Wood	Multi-Fuel
Sheraton 5	4999	MEC10868	4950	CA7905	4950	CA7904	CA7904
Sheraton 5 W	4999	MEC11258	4950	CA7910	4950	CA7909	CA7909
Chesterfield 5	4999	MEC10868	-	-	4950	CA7924	CA7927
Chesterfield 5 W	4999	MEC11258	-	-	4950	CA7934	CA7928



Due to continual technical improvements please check online or with your Stovax retailer for the most up to date parts lists.

Only use Genuine Stovax spares when servicing your appliance. All of our essential spare parts and consumable items are available to purchase from our webshop at www.stovaxspares.com.

MULTI-FUEL ASSEMBLY



MODEL	1	2	3	4	5
Sheraton 5	MEC10814	MEC10869	MEC10763	RA504619	RA504103
Sheraton 5W	MEC10866	MEC11168	MEC11028	RA504632	RA504392
Chesterfield 5	MEC10814	MEC10869	MEC10763	RA504619	RA504103
Chesterfield 5W	MEC10866	MEC11168	MEC11028	RA504632	RA504392



Due to continual technical improvements please check online or with your Stovax retailer for the most up to date parts lists.

Only use Genuine Stovax spares when servicing your appliance.

All of our essential spare parts and consumable items are available to purchase from our webshop at www.stovaxspares.com.

1ST SERVICE

Date of Service:.....

Next Service Due:.....

Signed:.....

Dealer's Stamp/HETAS Registration Number

3RD SERVICE

Date of Service:.....

Next Service Due:.....

Signed:.....

Dealer's Stamp/HETAS Registration Number

5TH SERVICE

Date of Service:.....

Next Service Due:.....

Signed:.....

Dealer's Stamp/HETAS Registration Number

7TH SERVICE

Date of Service:.....

Next Service Due:.....

Signed:.....

Dealer's Stamp/HETAS Registration Number

9TH SERVICE

Date of Service:.....

Next Service Due:.....

Signed:.....

Dealer's Stamp/HETAS Registration Number

2ND SERVICE

Date of Service:.....

Next Service Due:.....

Signed:.....

Dealer's Stamp/HETAS Registration Number

4TH SERVICE

Date of Service:.....

Next Service Due:.....

Signed:.....

Dealer's Stamp/HETAS Registration Number

6TH SERVICE

Date of Service:.....

Next Service Due:.....

Signed:.....

Dealer's Stamp/HETAS Registration Number

8TH SERVICE

Date of Service:.....

Next Service Due:.....

Signed:.....

Dealer's Stamp/HETAS Registration Number

10TH SERVICE

Date of Service:.....

Next Service Due:.....

Signed:.....

Dealer's Stamp/HETAS Registration Number

FOR ENQUIRIES IN THE U.K (EXCLUDING NI):

Stovax Ltd, Falcon Road, Sowton Industrial Estate, Exeter, Devon, England EX2 7LF

Tel: (01392) 474011 E-mail: info@stovax.com www.stovax.com

FOR ENQUIRIES IN EUROPE (INCLUDING NI):

Stovax Heating Group (NI) Ltd (Comp reg NI675194), 40 Linenhall Street, Belfast, BT2

8BA DX 400 NR Belfast Tel: +44 (0)1392 261990 E-mail: northernireland@stovax.com



STOVAX



PM1939