

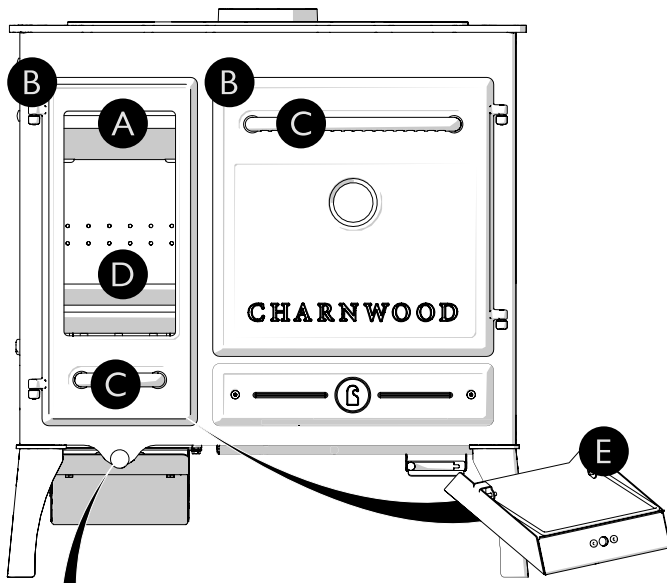
CHARNWOOD
HAVEN
• COOK STOVE •

Operating & Installation Instructions

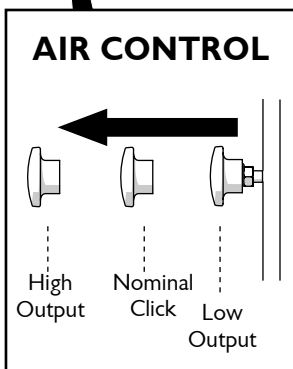
CONTENTS

QUICK GUIDE	4
OPERATING INSTRUCTIONS	5
FUEL	5
LIGHTING	5
CONTROLLING THE FIRE	6
WOOD ASH REMOVAL GRATE	6
RIDDLING	6
REFUELLING	7
ASH CLEARANCE	7
COOKING	7
OVEN THERMOMETER	7
REDUCED BURNING	7
MAINTENANCE	7
THROAT PLATE AND FLUEWAY CLEANING	8
CHIMNEY SWEEPING	9
TROUBLE SHOOTING	9
CO ALARM	10
IF YOU NEED FURTHER HELP	10
INSTALLATION INSTRUCTIONS	11
UNPACKING THE STOVE	11
HEALTH AND SAFETY PRECAUTIONS	11
SPECIFICATION	11
CO ALARMS	12
CHIMNEY	12
HEARTH AND FIRE SURROUND	12
CONNECTIONS TO FLUES	12
SOOT DOORS	13
PRE LIGHTING CHECK	13
COMMISSIONING	13
CAA AND SMOKE CONTROL	13
HAVEN DIMENSIONS	15
HAVEN PARTS LIST	16
CERTIFICATION	17

QUICK GUIDE



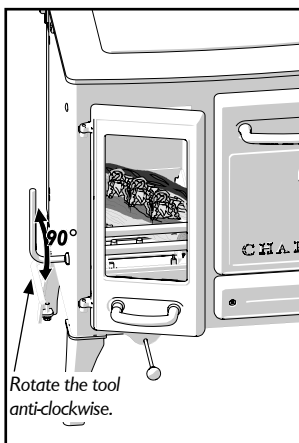
- A Throat plate**
Improves efficiency of stove by slowing down flue gases
- B Doors**
Keep closed when stove is in use
- C Door handles**
Fire Door - twist clockwise and pull to open
Oven - pull to open
- D Front Fence**
Protects glass and prevents spillage
- E Sliding Ashpan**
For clean and easy ash removal



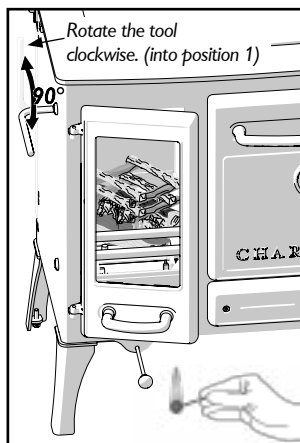
MAINTENANCE AND CLEANING

- COOKING PLATE** Maintain by lightly oiling the cook plate with vegetable oil. Wipe clean with a non abrasive cloth and mild soap.
- GLASS** Wipe with damp, lint free cloth. Any stubborn deposits on the glass may be removed with a proprietary stove glass cleaner or ceramic hob cleaner.
- THROAT PLATE** Take down once a month and clean. Sweep sooty deposits into fire
- CHIMNEY** Have chimney swept twice a year.
- SERVICING** Stove should be serviced by a professional at least once a year.

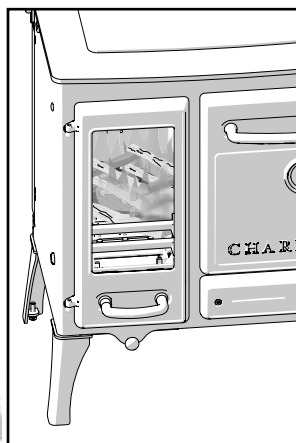
LIGHTING AND CONTROLLING THE FIRE



Put the grate into the open position by rotating the tool anti-clockwise. Place 2 small, dry, well seasoned logs into the bottom of the firebox running from front to back. Keep air control fully out and door cracked open.



Open the flue gas diverter by pulling the tool forward. Build a stack of 6-8 softwood kindling sticks. This can be in grid shape or a pyramid with paper or firelighter in the centre, ensure to leave a space between the pieces to allow the air to circulate around and through them and light.



Add larger logs once fire is established. The air control can be reduced to the nominal click position. If cracked open, the door can now be closed. Set the flue diverter into the normal position (push back)

Suitable fuels for your

Charnwood:

Wood logs

Unsuitable fuels:

Petroleum coke

Liquid fuel

Household waste

Coal singles

Small nuts or coal dust

Wet or unseasoned wood

Smokeless mineral fuel



Congratulations on becoming the owner of a Charnwood Haven Stove. Your stove has been approved in smoke controlled areas to burn wood logs if it is used in accordance with these instructions. It is very important that you read and understand these instructions before using the stove.

Before lighting the stove check with the installer that the work and checks described in the Installation Instructions have been carried out correctly and that the chimney has been swept, is sound and free from any obstructions. The stove is not suitable for use in a shared flue system.

If you are using your stove to burn wood logs in a smoke controlled area, then the provided Defra Stop **MUST** be fitted and the instructions on lighting and refuelling **MUST** be followed. This stove will not produce significant smoke if well seasoned logs of less than 20% moisture content are burnt and these instructions are adhered to. Burning wet (>20% moisture content) wood and operating the stove in an irresponsible manner may produce smoke which is illegal in smoke controlled areas.

Remember that the stove will be hot and that it is made from hard materials – ensure that you have good balance before operating the fire. Always use the provided operating tool and gloves.

Do not use an aerosol spray on or near the stove when it is alight. There is a risk of explosion or flash ignition of the spray.

When using the stove in situations where children, aged and/or infirm persons are present a fireguard must be used to prevent accidental contact with the stove. The fireguard should be manufactured in accordance with BS 8423:2002.

The stove is suitable for intermittent operation.

FUEL

This stove has been designated to burn wood. Only dry, well seasoned wood should be burnt on this appliance as burning wet unseasoned wood will give rise to heavy tar deposits in the stove, on the glass and within the chimney. For the same reason hard woods (such as Ash, Beech and Oak) are better than soft woods (such as Pine and Spruce). Burning wet unseasoned wood will also result in considerably reduced outputs. The wood should be cut and split and then left to season in a well ventilated dry place for at least one year but preferably two years before use.

Approximate suitable log sizes are:

180mm(7in) - 210mm (8.25”) long and 75mm (3in) diameter

Log moisture content of less than 20% is recommended.

PETROLEUM COKE IS NOT SUITABLE FOR USE ON THIS APPLIANCE. ITS USE WILL INVALIDATE THE GUARANTEE.

This stove is not designed to burn household waste.

LIGHTING

IMPORTANT Before beginning to light the fire, set the flue gas diverter in the lighting position by placing the tool into the gas diverter control and pulling it forward (illustrated in Fig.1).

On initial lighting, the stove may smoke and give off an odour as the silicon paint with which the firebox is painted reacts to the heat. This is normal and will cease after a short time, but meanwhile the room should be kept well ventilated.

At first only light a small fire and burn it slowly for two hours to allow any residual moisture in the chimney to evaporate.

Before building the fire, the grate must be put in the open position. This is done by turning the operating tool anti-clockwise in the riddling lever (illustrated in fig.2). Place 2 small logs on the grate running from front to back with a small gap between them. Build a stack of 6-8 softwood kindling sticks on top of the logs. This can be in grid shape or a pyramid, with a firelighter or paper in the centre, ensure to leave space between the kindling to allow the air to circulate around and through them. Open the air control fully (see quick guide page 4) Light the paper or fire lighters. The door may be left cracked open for a few minutes to assist the combustion and heat up the firebox more quickly.

When the kindling wood is well alight add a few more small logs, close the door but leave the air control fully open. When the flames are established around these logs, load the stove with the required fuel load. Maintain the air control at maximum at this stage. Once the fire is up to temperature the airwash system will begin to work, so allow the fire to become hot before adjusting the air control to the required setting. At this point the flue gas diverter should be moved to the normal position - place the tool in the control and push it backwards in an anti-clockwise direction (see Fig.1), and the oven should begin to heat up. During the lighting period, do not leave the stove unattended. Do not leave the door open except as directed above to avoid excessive smoke.

OPERATING INSTRUCTIONS



When relighting the stove, leave the ash on the base, unless it is becoming too deep, in which case some of it may be removed by riddling the grate to empty it into the ashpan.

CONTROLLING THE FIRE

The rate of burning and hence the output is controlled by the air control (see Fig.1)

Open the air control fully (high position) when lighting or when rapid burning is required. It should not be left fully open for long periods as this can cause over-firing or excessive smoke production. For most efficient output move the air control to the 'nominal position' or for low burning to the low position.

Cooking plate

The temperature of the cooking plate is graded, with the hottest point located directly above fire for boiling.

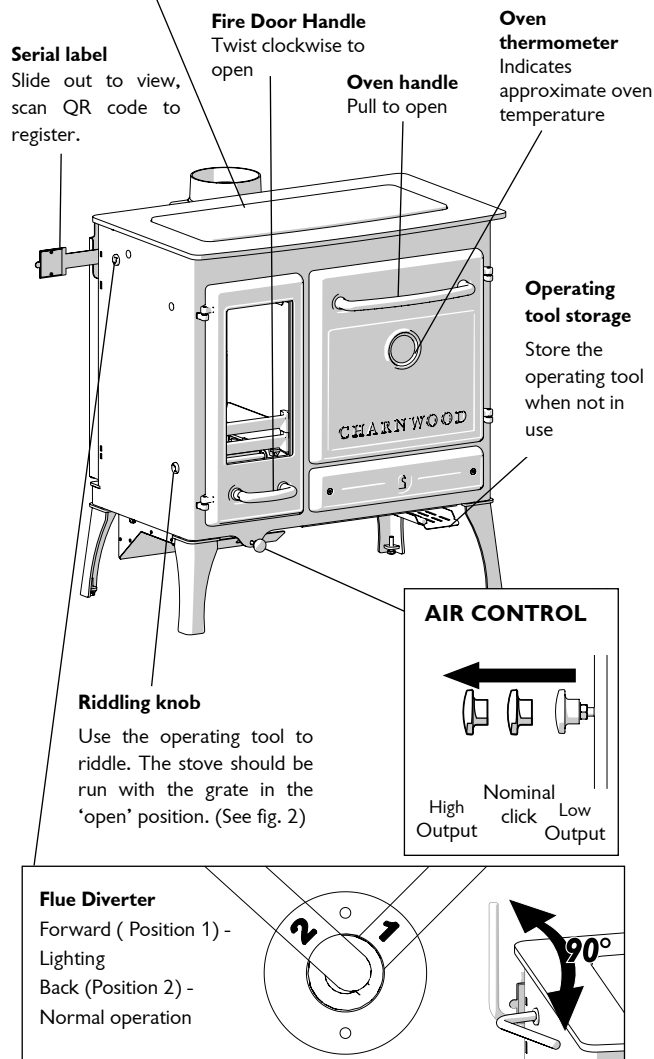


Fig. 1. Stove Controls

When the fire is burning normally the air control gives enough airwash to keep the glass clean. However, it will not always be possible to keep the glass clean with the air control fully closed. For correct firing we recommend the use of a stove pipe thermometer which may be purchased from your supplier or from Charnwood.

The Charnwood Haven is fitted with an air control stop for use in a smoke control area. This stops the stove from burning too slowly.

WOOD ASH REMOVAL GRATE

Your Charnwood Haven is fitted with a wood ash removal grate to enable wood to be burned and ash to be cleared.

Movement of the grate from one position to the other is effected using the operating tool supplied as shown in Fig.2.

The grate is put into the open position by turning the operation tool anticlockwise. The grate is put into the closed position by turning the operation tool clockwise. To riddle the appliance the tool should be moved between the clockwise and anticlockwise positions several times. When burning wood, the grate must be in the 'open' position as shown in Fig.2.

RIDDLING

When burning wood, ash should be allowed to build up and only riddled when the ash begins to cover the rear fireplate. The fire should be riddled with the fire door shut (see Fig.2). Place the operating tool into the riddling lever and rotate between the open and closed positions several times. Too much riddling can result in emptying unburnt fuel into the ashpan and should therefore be avoided. After riddling, the grate should be put back into the open position.

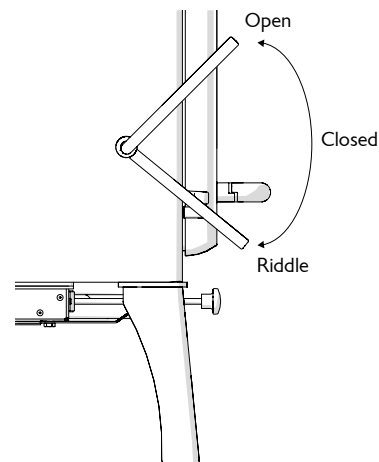


Fig. 2 Riddling



REFUELLING

Keep the firebox well filled but do not allow fuel to spill over the top of the fuel retainer.

Logs should be evenly distributed, filling the firebed to give the most pleasing flame pattern. The air control must be fully opened after refuelling until the flames are established above the fire. It is best to refuel on to a hot bed of embers. If at this point the fire starts to die, the door must be cracked open until the fire is revived. If the fire has started to die down before refuelling, then more kindling wood must be added, the air control opened fully and the door cracked open to re-establish the firebed before adding larger logs (see suitable log sizes in Fuel section). This will avoid excessive smoke emission.

Care should be taken that logs do not project over the fuel retainer or damage to the glass may be caused when the door is closed. It can also cause the glass to blacken up. Maximum filling height is such that logs cannot fall from the fire when the door is opened.

Do not fill the stove above the level of the air holes in the back bricks, as overloading can cause excess smoke.

Do not operate with the door open except as directed by the instructions as this can cause excessive smoke.

ASH CLEARANCE

Before removing ash ensure that it has cooled down. The ashpan slides out for easy ash removal.

To make ash removal easier there are ash carriers available. These may be purchased from your supplier or, in case of difficulty, from Charnwood.

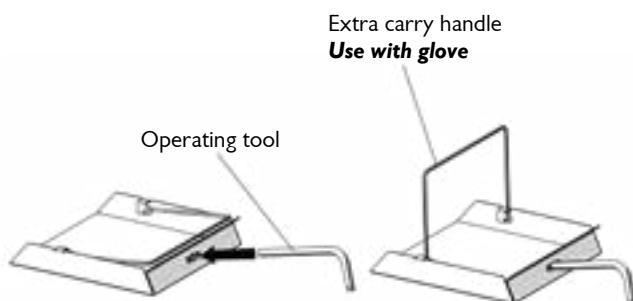


Fig. 3 Ashpan removal

COOKING

Once the fire is alight and well established make sure the flue diverter is in the normal position (position 2). This is illustrated in the quick guide on page 4 and Fig. 1. Stove Controls.

The temperature of the cooking plate is graded, with the hottest point for boiling located directly above the fire on the left-hand side.

If the optional rear shelving is fitted, the shelving will remain warm whilst the fire is lit and can be used as a warming plate for keeping food or plates warm whilst cooking.

OVEN THERMOMETER

The oven thermometer gives a good guide of the temperature of the centre of the oven. Some experimentation will be necessary to find the best settings for different recipes. You will generally find that the higher shelf positions will give higher temperatures. Once you have lit the fire and the oven is nearly at the required cooking temperature keep the air control at the nominal click setting and refuel as necessary to maintain the temperature. As a rough guide, adding a single log will give around 40 minutes of cooking time when running at nominal.

REDUCED BURNING

For reduced burning the fire door must be closed.

When burning wood in areas that are not smoke controlled, load some large logs on the fire and allow to burn for half an hour before closing the air control (this will help to reduce tar deposits in the chimney). Some experimentation may be necessary to find the setting most suitable for the type of fuel being used and the draw on the chimney.

MAINTENANCE

Cleaning

The stove is finished with a high temperature paint which will withstand the temperatures encountered in normal use. This may be cleaned with a damp lint-free cloth when the stove is cold. Should re-painting become necessary, high temperature paints are available from your supplier or from stove shops. Any grease or stains from cooking can be removed by using a mild detergent or stove cleaning product.

Cleaning the Glass

Most deposits on the glass may be burnt off simply by running the fire



at a fast rate for a few minutes. If it becomes necessary to clean the glass then open the door and allow it to cool. Clean the glass using a damp cloth and then wiping over with a dry cloth. Any stubborn deposits on the glass may be removed with a proprietary stove glass cleaner or ceramic hob cleaner. Do not use abrasive cleaners or pads as these can scratch the surface which will weaken the glass and cause premature failure

When Not in Use

If the fire is going to be out of use for a long period (for instance in the summer) then to prevent condensation, and hence corrosion, the air control should be left fully open, the fire door left ajar and the flue diverter set in the lighting position. It is also advisable to sweep the chimney and clean out the fire. Spraying the inside of the door with a light oil, such as WD40, will also help to keep all internal parts working well. After long periods where the fire has been out of use, the chimney and appliance flueways should be cleaned before lighting.

Door Seals

For the fire to operate correctly it is important that the door seals are in good condition. Check that they do not become worn or frayed and replace them when necessary.

Servicing

It is recommended that the fire is serviced once a year to keep it in first class working order. After cleaning out the firebox thoroughly, check that all internal parts are in good working order, replacing any parts that are beginning to show signs of wear. Check that the door seals are in good condition and that the doors seal correctly. Check the cook plate and access door seals are in good condition. A servicing guide is available on request. Repairs or modifications may only be carried out by the Manufacturer or their approved agents. Use only genuine Charnwood replacement parts.

THROAT PLATE AND FLUEWAY CLEANING

It is important that the throat plate and all the stove flueways are kept clean in order to prevent potentially dangerous fume emission. They should be cleaned at least monthly, and more frequently if necessary. It is necessary to let the fire out to carry out these operations.

The Haven throat plate is one brick. To remove the throat plate, slide it forwards so that it clears the back brick, then lift and rotate so that the opposite side clears the top of the remaining side brick and can be gently lowered. Any sooty deposits should then be swept from the throat plate and into the fire.

To re-fit the throat plate, offer it up at an angle. Insert the throat plate so that it sits on top of either the right or left side brick. Raise the opposite side and slide so that it is central and supported by the side bricks. Slide back so that the throat plate rests neatly on the top of the back bricks.

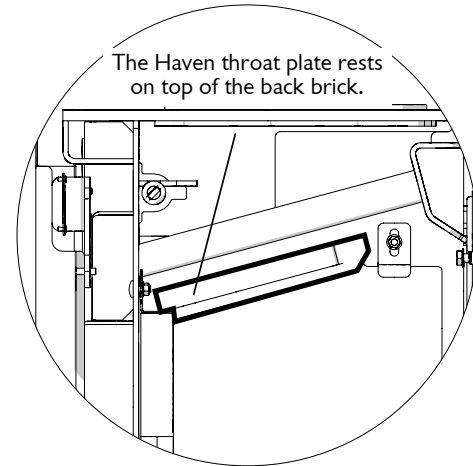


Fig.4 Throat Plate Location

The internal channels that distribute the hot flue gasses around the oven should also be cleaned. To clean, carefully lift the cook plate off the top of the stove top by tilting it with a flat head screwdriver or by removing the throat plate and pushing it up carefully through the appliance. The cook plate is heavy, handle with care and wear gloves. Remove the 'R' clip to release the flue gas diverter and brush down any debris with a 50mm diameter flexible brush. Remove the access

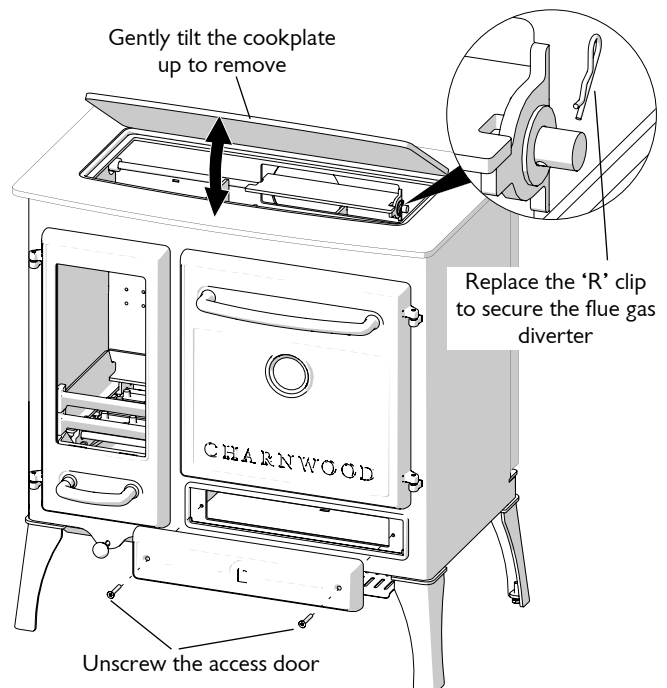


Fig.5 Cook plate, flue gas diverter and access door removal



door by unscrewing the 2 x countersunk Allen screws, then by using a brush or a vacuum cleaner, clean out all accessible areas. Once all areas are thoroughly cleaned, replace the flue gas diverter ensuring the 'R' clip and washers are secured, replace the cook plate into position, with the seal intact and re fit the access door.

CHIMNEY SWEEPING

If the chimney previously served an open fire, it is possible that the higher flue gas temperature from a stove may loosen soot deposits with the consequent risk of flue blockage. It is therefore recommended that the chimney be swept a second time within a month of regular use after installation.

The chimney should be swept at least twice a year. As it is not possible to sweep through the appliance the installer will have provided alternative means, such as a soot door in the connecting flue pipe. After sweeping the chimney the appliance flue outlet and the flue pipe connecting the stove to the chimney must be cleaned.

After clearing any soot from within the stove, replace the throat plate (see Fig. 4).

Different types of sweep's brushes are available to suit different flueways. For prefabricated insulated chimneys the manufacturers instructions with regard to sweeping should be consulted.

TROUBLE SHOOTING

Fire Will Not Burn

Check that:

- a) the air inlet is not obstructed in any way,
- b) chimneys and flueways are clear,
- c) a suitable fuel is being used,
- d) there is an adequate air supply into the room,
- e) If an extractor fan is fitted, that it is not causing lack of flue draft when operating.
- f) there is sufficient draw in the chimney. Once the chimney is warm a draught reading of at least 1.25 mm (0.05 in.) water gauge (12Pa) should be obtained.

Blackening of Door Glass

Differences in chimney draughts mean that the best settings of the air controls will vary for different installations. A certain amount of experimentation may be required, however the following points should be noted and with a little care should enable the glass to be

kept clean in most situations:

- a) Wet or unseasoned wood, or logs overhanging the front fence will cause the glass to blacken.
- b) The airwash relies on a supply of heated air to keep the glass clean, therefore, when lighting the stove allow the firebed to become well established before closing the air control. This may also be necessary when re-fuelling the stove.
- c) When re-fuelling keep the fuel as far back from the front fence as possible, do not try to fit too much fuel into the firebox
- d) Do not completely close the air control.

It is always more difficult to keep the glass clean when running the stove very slowly for long periods.

If blackening of the glass still occurs check that all flue connections and the blanking plate are well sealed. It is also important that the chimney draw is sufficient and that it is not affected by down-draught. When the chimney is warm a draught reading of at least 1.25 mm (0.05 in.) water gauge (12Pa) should be obtained. Some blackening of the glass may occur below the level of the fuel retainer. This will not obscure the view of the fire or affect its performance.

Fume Emission

Warning Note: Properly installed and operated this appliance will not emit fumes. Occasional fumes from de-ashing and re-fuelling may occur. Persistent fume emission is potentially dangerous and must not be tolerated. If fume emission does persist, then the following immediate actions should be taken:

- a) **Open doors and windows to ventilate the room and then leave the premises.**
- b) **Let the fire out and safely dispose of the fuel from the appliance.**
- c) **Check for flue or chimney blockage, and clean if required.**
- d) **Do not attempt to re-light the fire until cause of fuming has been identified, if necessary seek professional advice.**

The most common cause of fume emission is flueway or chimney blockage. For your own safety these must be kept clean.

Fire blazing out of control

Check that:

- a) The door is tightly closed.
- b) The air control slider is fully closed.
- c) A suitable fuel is being used.
- d) Door seals and air slide are intact.



Chimney Fires

If the chimney is thoroughly and regularly swept, chimney fires should not occur. However, if a chimney fire does occur close the air control, and tightly close the door of the appliance. This should cause the chimney fire to go out in which case the controls should be kept closed until the stove has gone out. The chimney and flueways should then be cleaned. If the chimney fire does not go out when the above action is taken then the fire brigade should be called immediately. After a chimney fire the chimney should be carefully examined for any damage. Expert advice should be sought if necessary.

CO ALARM

Your installer should have fitted a CO alarm in the same room as the appliance. If the alarm sounds unexpectedly, follow the instructions given under “Warning Note” above.

IF YOU NEED FURTHER HELP

If you need further help with your Charnwood then your Installer will be able to provide the answers to most questions. Your Local Charnwood Premier Dealer has a great deal of experience and will also be able to provide helpful advice. Further help is available from the Charnwood Customer Services department who will be pleased to give advice, if necessary.

INSTALLATION INSTRUCTIONS



UNPACKING THE STOVE

The stove arrives bolted and strapped to its pallet. There must be adequate facilities for unloading and manoeuvring into position. The wrapping is first removed, then the stove released from the pallet by removing 4 pallet bolts using a 10mm spanner. The pallet brackets can now be removed from the stove by tilting it and using a 13mm spanner to remove the bolts. The pallet is intended to be cut up and used for kindling fuel.

The cooking plate is wrapped in greaseproof paper and secured by a band. To release the cooking plate, cut the band that is attached to the airwash tube above the throat plate. The band is visible by looking into the top of the fire chamber. The cook plate has been oiled so gloves are recommended when handling. Once the band has been cut, carefully lift the cook plate out of the top of the stove top by pushing it up from underneath inside the fire chamber and remove the greaseproof paper. When returning the cook plate, the rope seal may first need to be 'plumped' up before resting the cook plate on top. Once in place, the cook plate should be firmly pushed down onto the rope seal to bed it in.

The heatshield underneath the stove can be removed for trucking into position and must be returned once in position. The vertical rear flue adaptor and flue collar will also need to be unboxed and fitted over the rear outlet. The oven and the firebox will be packed with items such as the oven shelves, baking tray, gloves etc.

HEALTH AND SAFETY PRECAUTIONS

Please take care when installing the stove that the requirements of the Health and Safety at Work Act 1974 are met.

Some types of fire cement are caustic and should not be allowed to come into contact with the skin. In case of contact wash with plenty of water.

If there is a possibility of disturbing any asbestos in the course of installation then please use appropriate protective equipment.

Ideally there should not be an extractor fan fitted in the same room as the appliance. If this situation is unavoidable then specialist advice should be taken to ensure that the extractor fan does not cause the appliance to emit fumes into the room. The external air kit will help with this in some situations. Alternatively, an additional air supply correctly positioned may be necessary. It is essential to carry out a spillage test to ensure that the appliance can operate safely when the extractor fan is operating.

There must be an adequate air supply into the room in which the appliance is installed to provide combustion air. The combustion air supply must be via a permanently open vent. The requirement for minimum free area is partly dependent on the design air permeability of the house. In older properties the air permeability will be above $5.0\text{m}^3/(\text{h.m}^2)$, but in some modern properties it may be less. The vent must be positioned such that it is not liable to blockage. Minimum areas are given in the following table:

AIR PERMEABILITY $\text{m}^3/(\text{h.m}^2)$	MINIMUM VENT AREA $\text{cm}^2(\text{in}^2)$
	Haven
>5.0	11 (1.76)
<5.0	38.5 (6.0)

A fixed ducted air supply may be used as an alternative to the traditional method of using a permanent open vent into a room to supply air for combustion.

External air supply kits are available please contact Charnwood for more information. Instruction sheet ref: TIS 120

This stove is capable of intermittent operation, and is not suitable for use in a shared flue system.

In addition to these instructions the requirements of BS.8303 and BSEN 15287-1:2007 must be fulfilled. Local Authority Bylaws and Building Regulations, including those referring to national and European Standards, regarding the installation of Solid Fuel burning appliances, flues and chimneys must also be observed.

SPECIFICATION	Haven	
	EN13240:2001	
Fuel	Wood logs	
Rated Heat Output kW (BTU/hr)	6.6kW	
Model weight kg (Packed)	165kg - Store Stand, 152kg - High Legs	
Flue Temperature °C	154°C	
Minimum Flue Draught	12Pa	
Flue gas Mass Flow g/s	4.9	
Hearth Temperature	<100°C	
Minimum distance from combustibles mm	SIDE	BACK
	500	400

The outputs in the table are based on a 45 minute re-fuelling cycle burning seasoned hardwood logs. All tests are carried out in accordance with BSEN 13240.



CO ALARMS

Building regulations require that whenever a new or replacement fixed solid fuel or wood/biomass appliance is installed in a dwelling a carbon monoxide alarm must be fitted in the same room as the appliance. Further guidance on the installation of the carbon monoxide alarm is available in BS EN 50292:2002 and from the alarm manufacturer's instructions. Provision of an alarm must not be considered a substitute for either installing the appliance correctly or ensuring regular servicing and maintenance of the appliance and chimney system.

CHIMNEY

In order for the appliance to perform satisfactorily the chimney must give sufficient draw when warm (minimum of 12pa/0.05" wg). The height of the chimney must comply with local building regulation requirements. The internal dimensions of the chimney **MUST NOT BE LESS THAN 125 mm (5")**

If an existing chimney is to be used it must be swept and checked, it must be in good condition, free from cracks and blockages, and should not have an excessive cross sectional area. If it was previously used by an open fire then the chimney should be swept one month after installation to clear any soot falls which may have occurred due to the difference in combustion between the stove and the open fire. If you find that the chimney is in poor condition then expert advice should be sought regarding the necessity of having the chimney lined. If it is found necessary to line the chimney then a lining suitable for Solid Fuel must be used.

If there is no existing chimney then a prefabricated block chimney or a twin walled insulated stainless steel flue to BSEN 15287-1:2007 can be used either internally or externally. These chimneys must be fitted in accordance with the manufacturers instructions and Building Regulations.

Single wall flue pipe is suitable for connecting the stove to the chimney but is not suitable for using for the complete chimney. If it is found that there is excessive draw in the chimney then a draught stabiliser should be fitted.

It is important that there is sufficient draw in the chimney and that the chimney does not suffer from down-draught. When the chimney is warm the draw should be not less than 1.25mm (0.05") water gauge (12 Pa). If in doubt about the chimney seek expert advice. The flue draft may be measured by removing the small stop at the left hand end of the fire door handle, and inserting the probe in the hole.

HEARTH AND FIRE SURROUND

The stove must stand on a fireproof hearth and must not be situated closer than the minimum distance from combustible materials (see specification table) to the sides or rear above hearth level unless adequately fireproofed in accordance with local building regulations. The hearth must be of fireproof material and at least 12mm (1/2in.) thick. The positioning of the stove and the size of the hearth are governed by building regulations for Class 1 appliances. These building regulations state that the hearth must extend in front of the stove by at least 225mm (9 in.) and to the sides of the stove by at least 150mm (6 in.). When the fire door is open, it extends beyond the flat front of the stove by 255mm.

If in doubt as to the positioning of the stove, expert advice should be sought either from the supplier or the local building inspector. The fireplace must allow good circulation of air around the appliance to ensure that maximum heat is transferred to the room and also to prevent the fireplace from overheating. A gap of 150mm (6") each side and 300mm (12") above the appliance should give sufficient air circulation. If a wooden mantelpiece or beam is used in the fireplace it should be a minimum of 750mm (29.5") from the appliance. In some situations it may be necessary to shield the beam or mantelpiece to protect it.

In order for the fire to operate correctly and to allow for access, there must be an air gap behind the appliance of at least 50mm, but be aware that this distance will need to be greater in some cases to meet Building Regulation and safe distance to combustibles requirements.

The appliance should be installed on a floor with adequate load-bearing capacity. If an existing construction does not meet this requirement then please take suitable measures to achieve this. (e.g. load distributing plate.)

CONNECTIONS TO FLUES

The Haven must be connected to the flue using flue pipe of 125mm (5") diameter.

There are several ways of connecting the stove to the flue. These are illustrated in Figs. 6 to 8.

The chimney cannot be swept through the appliance and a clean out door is required. Horizontal lengths of flue must be kept to a minimum and should not be more in length than the flue diameter.

All flue connections must be well sealed.

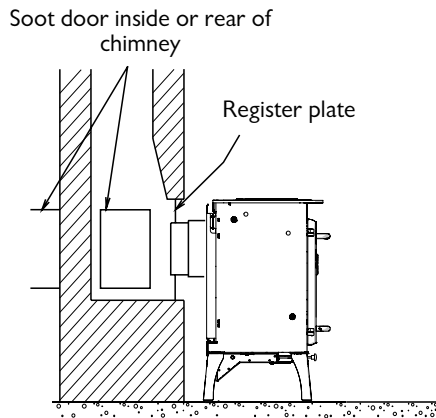


Fig. 6 Horizontal Register Plate With Rear Flue Connection

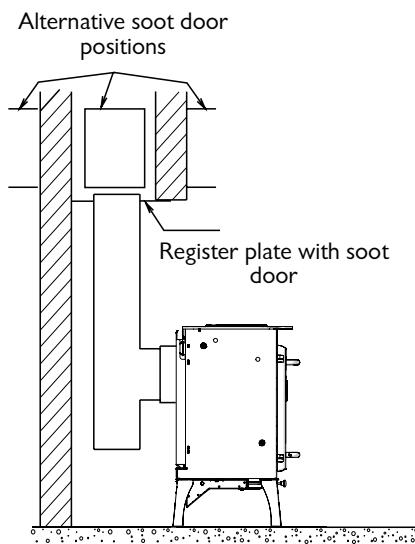


Fig. 7 Horizontal Register Plate With Top Flue Connection

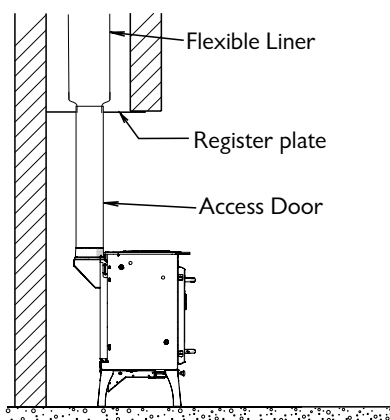


Fig. 8 Flexible Flue Liner With Vertical Rear Flue Connector

SOOT DOORS

In most back outlet installations it will be necessary to have a soot door to enable the chimney to be swept. Soot doors may either be in the actual brickwork of the chimney, the register plate or the connecting flue pipe. Various positions of soot doors are shown in Figs. 6 to 8.

PRE LIGHTING CHECK

Ensure that the throat plate is fitted in the roof of the appliance. For location and positioning see Fig. 4.

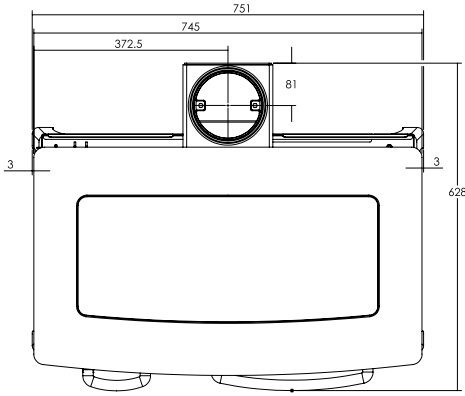
Check that the front fence is fitted correctly and that the door closes properly.

COMMISSIONING

On completion of the installation allow a suitable period of time for the fire cement and mortar to dry out before lighting the fire. Check to ensure that smoke and fumes are taken from the appliance up the chimney and emitted safely. Also check all joints and seals. On completion of the installation and commissioning please leave the operating instructions with the customer and advise them on the use of the appliance.



HAVEN DIMENSIONS



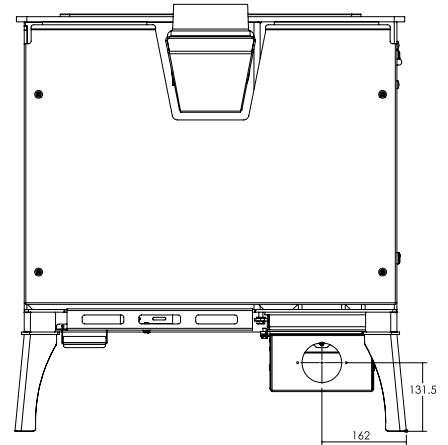
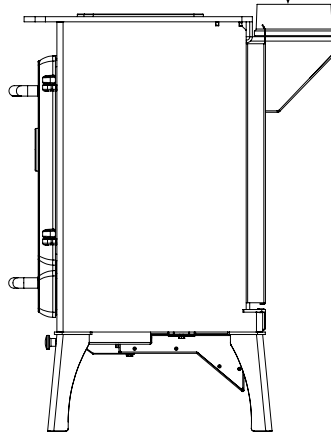
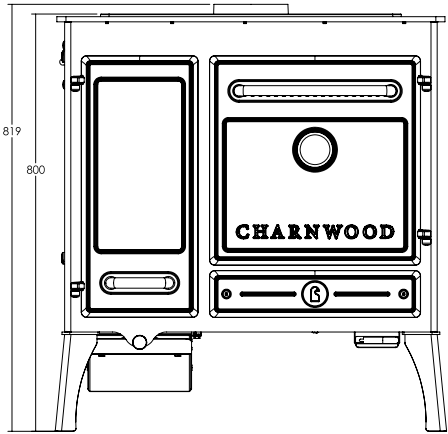
Plan View

VERTICAL REAR FLUE ADAPTOR

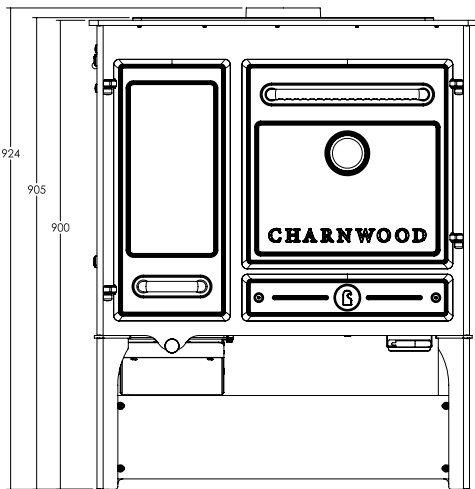
To suit 125mm
(5") flue pipe



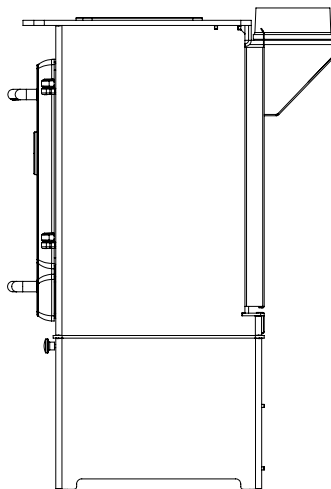
High Leg Model



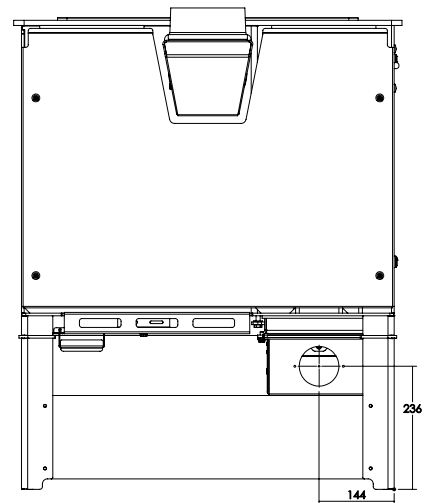
Store Stand Model



Front View



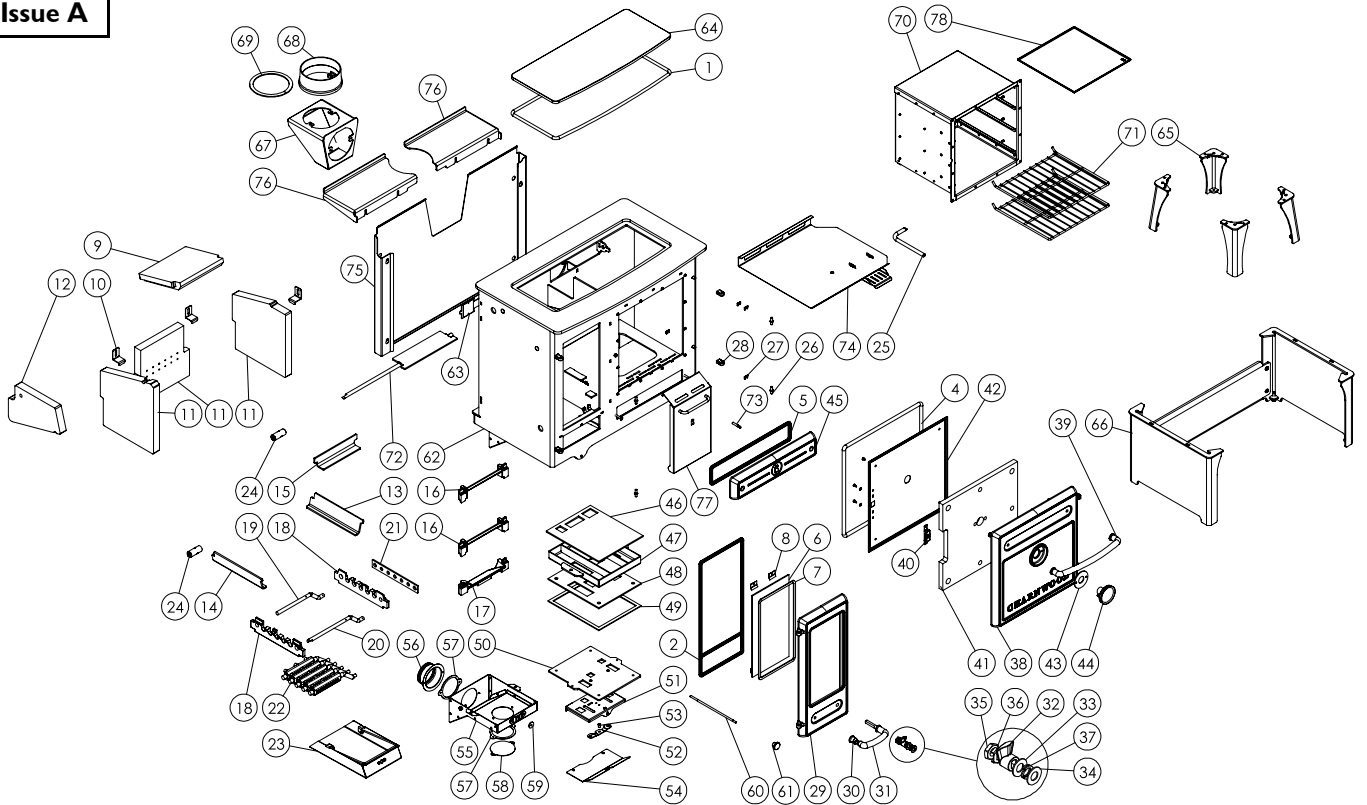
Side View



Rear View

Charnwood Haven Parts List

Issue A



Item	Part No.	Description	Item	Part No.	Description
1	008/DB136	Cook Plate Rope Seal	40	008/FFM091	Door Catch Roller
2	008/DB005	Fire Door Rope Door Seal	41	008/DB071	Door Insulation
3*	008/FW29	Door Seal Adhesive	42	004/DB070	Door Back
4	008/DB072	Oven Door Rope Door Seal	43	008/DB073	Thermometer Gasket
5	008/DB137	Access Door Rope Seal	44	010/DB074	Bimetal Thermometer
6	006/DB018	Glass	45#	002/DB004	Access Door
7	008/DB003	Glass Seal	46	008/DB110	Gasket
8	004/KV23	Glass Retainer	47	010/DB020	Air Control Mounting Box
9	011/DB031	Throat Plate	48	008/DB109	Air Control Gasket
10	004/XV30	Brick Bracket	49	008/DB108	Air Control Cover Gasket
11	011/DB029S	Brick Set	50	010/DB130	Air Control Plate
12	011/DB034	Left Side Top Brick	51	004/DB115	Air Control Slider
13	010/DB015R	Right Side Fireplate	52	004/BR015	Clicker Retainer
14	010/DB015L	Left Side Fireplate	53	008/ES36/01	Brass Ball Catch
15	010/DB016	Back Fire Plate	54	010/DB081	Air Control Heat Shield
16	002/DB008	Deepening Bar	55	010/DB040	Air Control Cover
17	002/DB007	Front Fence	56	010/CR048	Spigot
18	002/SY30	Carrier Bar	57	008/CR063	Duct Gasket
19	012/DB077	Idler Rod Plain Carbon Steel 1	58	004/CR064	Blanking Plate
20	012/DB078	Riddler Rod Plain Carbon Steel 1	59	008/BR052	Felt Washer
21	012/SY33	Mover Bar	60	012/EZ016	Air Control Rod
22	002/CG015S	Fire Bar (Set of 5)	61	008/AY37	Air Control Knob
23	004/DB017	Ashpan	62	001/DB010	Firebox
24	002/DB098	Riddling Boss	63	012/DB011	Serial Label
25	012/EZ095	Riddler Handle	64	010/DB009	Cook Plate
26	008/ST073/4	Hinge Pin (Set of 4)	65#	010/CY65	Legs
27	004/AP025	Spacer	66#	010/DB087	Store Stand
28#	002/AP024	Hinge	67	010/BU034	Vertical Rear Flue Adaptor
29#	002/DB001	Fire Door	68#	002/PV12B	Flue Collar
30	008/KV13	Left Hand Door Knob	69	008/KS134	Sealing Gasket (Flue)
31	008/KV16	Door Handle	70	004/DB090	Oven Box
32	002/AY14	Door Catch	71	008/DB092	Oven Shelf
33	008/FFW008	M12.5 Washer	72	010/DB013	Damper Assembly
34	008/FFW005	M8 Washer	73	008/FFP017	Main Oven Striker Pin
35	008/FFN001	M12 Half Nut Plain Carbon	74	010/DB082	Lower Heat Shield Assembly
36	008/ST008	Tabbed Locking Washer	75#	010/DB080	Heat Shield
37	008/FFW015	Thackery Washer	76#	010/DB051S	Rear Shelf Kit (Optional Extra)
38#	002/DB002	Oven Door	77#	010/DB056	Flame Guard (Optional Extra)
39	010/DB047	Oven Door Handle	78#	004/DB094	Baking Tray (Optional Extra)

*These items are not shown on the drawing.
Please specify colour when ordering.

To obtain spare parts please contact your local stockist giving Model, Part No. and Description. In case of difficulty contact the manufacturer at the address shown. This drawing is for identification purposes only.



charnwood



AJ WELLS & SONS LTD


23

Bishops Way, Newport, Isle Of Wight PO30 5WS, United Kingdom
A Division of A.J.Wells & Sons Limited Registered In England No. 03809371
 CE certificate for compliance with EN13240:2001

EN13240:2001

ROOMHEATERS FIRED BY SOLID FUEL

Model:	HAVEN	
EC Certificate of conformity no:	DB11-CPD-2022	
Fuel type:	WOOD LOGS	
In accordance with Standard:	EN13240:2001	
Rated space heating thermal output:	6.6kW	
Emission of CO in combustion products:	0.04%	
Mean flue gas temperature:	154°C	
Energy efficiency:	89.9%	
Particles	9 mg/m ³	
Minimum distance to combustible materials (Single wall flue:)	90° Installation	45° Corner Installation
	Side: 500 Rear: 400 Above: 750 In Front of Window: 800	300 - 750 800
Fulfilled requirements: BStV of the City of Munich and the City of Regensburg FBStVO of the City of Aachen and the City of Düsseldorf 1.and 2. level of 1. BlmSchV of Germany	✓	

EN - PRODUCT FICHE FR - FICHE DE PRODUIT	IT - SCHEDA PRODOTTO PL - KARTA PRODUKTU	ErP (EU 2015/1187)
MANUFACTURER MARQUE MARCHIO MARCA	 Bishops Way, Newport, Isle of Wight PO30 5WS, United Kingdom <i>A Division of A.J.Wells & Sons Limited Registered in England No. 03809371</i>	
MODEL MODÈLE MODELLO MODEL	AIRE 3 AIRE 5 AIRE 7 ARC 5 ARC 7 BAY 5 BAY 5 BX BAY 5 VL BEMBRIDGE C-FOUR BLU C-FOUR INSERT C-FIVE BLU C-FIVE DUO C-SIX C-SIX BLU C-EIGHT BLU COUNTRY 4 BLU COUNTRY 6 COVE 3 BLU CRANMORE 3 CRANMORE 5 CRANMORE 7 HAVEN ISLAND I (AP) ISLAND II (BP) SKYE 5 SKYE 7 C-FOUR C-FIVE C-SEVEN C-SEVEN BLU C-EIGHT COUNTRY 12 COUNTRY 4 COUNTRY 8 COVE 1 COVE 1SR COVE 2 COVE 2 BLU COVE 2SR COVE 3 ISLAND I ISLAND II ISLAND II BLU ISLAND IICT ISLAND III ISLAND III BLU LA10 SLX20 TOR TOR PICO	
EFFICIENCY CLASS CLASSE D'EFFICACITÉ CLASSE DI EFFICIENZA KLASA EFEKTYWNOŚCI	<div style="display: flex; justify-content: space-around; font-size: 2em; font-weight: bold;"> A + A </div>	
NOMINAL HEAT OUTPUT TO ROOM PUISSANCE THERMIQUE NOMINALE POTENZA TERMICA NOMINALE NOMINALNA MOC CIEPLNA	3.7 5.0 7.0 5.0 7.0 5.0 5.0 5.0 5.0 4.8 5.0 5.0 5.1 6.7 5.9 8.0 5.0 6.2 12.0 3.7 5.0 7.0 6.6 5.0 8.0 5.0 7.3 4.9 5.0 7.6 7.1 8.3 12.3 4.8 8.6 4.1 4.3 8.3 8.0 8.3 12.3 5.0 8.0 8.0 8.4 12.3 11.0 4.8 5.8 8.4 5.2	
ENERGY EFFICIENCY INDEX INDICE EFFICACITÉ ÉNERGÉTIQUE INDICE DI EFFICIENZA ENERGETICA INDEX EFEKTYWNOŚCI ENERGETYCZNEJ	115.7 112.8 109.9 109.9 108.5 108.5 108.5 109.9 109.9 107.0 109.9 107.1 109.8 109.9 108.5 112.8 107.7 107.0 115.7 112.8 109.9 121.5 114.3 109.9 115.7 107.0 104.5 100.8 102.5 105.6 104.1 98.4 102.4 106.7 101.9 106.0 99.3 102.7 99.3 104.7 104.0 104.1 105.6 105.6 105.6 101.8 105.6 102.4 100.8 97.0 105.8	
SEASONAL SPACE EFFICIENCY EFFICACITÉ ÉNERGÉTIQUE SAISONNIÈRE POUR LE CHAUFFAGE DES LOCAUX EFFICIENZA ENERGETICA STAGIONALE DI RISCALDAMENTO DI AMBIENTE SEZONOWA EFEKTYWNOŚĆ CIEPLNA	86.0 84.0 82.0 82.0 81.0 81.0 81.0 82.0 82.0 80.0 82.0 80.1 81.9 82.0 81.0 82.0 80.5 80.0 86.0 84.0 82.0 90.0 85.0 84.0 86.0 80.0 78.3 75.7 76.9 79.0 78.0 74.1 76.8 79.8 76.5 79.3 74.7 77.0 74.7 78.4 77.9 78.0 79.0 79.0 76.4 79.0 76.8 75.7 73.1 79.2	

Comply with the warnings and instructions concerning installation and maintenance in the operating and installation manual supplied with the stove.

your premier dealer

charnwood BISHOPS WAY, NEWPORT, ISLE OF WIGHT PO30 5WS, UNITED KINGDOM
TEL. +44 (0) 1983 537777 • FAX. +44 (0) 1983 537788 • WWW.CHARNWOOD.COM

A Division of A.J. Wells & Sons Limited Registered in England No. 03809371