

# Garden Heater

## User Guide



**PLEASE RETAIN THIS GUIDE FOR FUTURE REFERENCE**

Congratulations on the purchase of your new Garden Heater!

More than 30 years of experience has been put into the development of your heater to ensure ultimate performance and years of trouble free use and enjoyment.

Every detail of your appliance has been carefully designed and engineered which is why we are so confident in the reliability of our products.

Should you have any questions about your heater which are not covered by this user guide, please contact your retailer in your area or visit our website : [www.aradastoves.com](http://www.aradastoves.com), which offers a further information on how to care for and get the best from your appliance.

Please ensure that you read these instructions in full and understand them before operating your heater.

Arada has a policy of continuous product development and therefore we reserve the right to amend specifications without prior notice.

Due to printing cycles, items or options may be described before they are generally available or after they have ceased in production.

Please check with your retailer or dealer if you are unsure about any aspect of your appliance, its installation or the correct use.



## IMPORTANT NOTE :

The following items are packed together with your garden heater for shipping purposes :

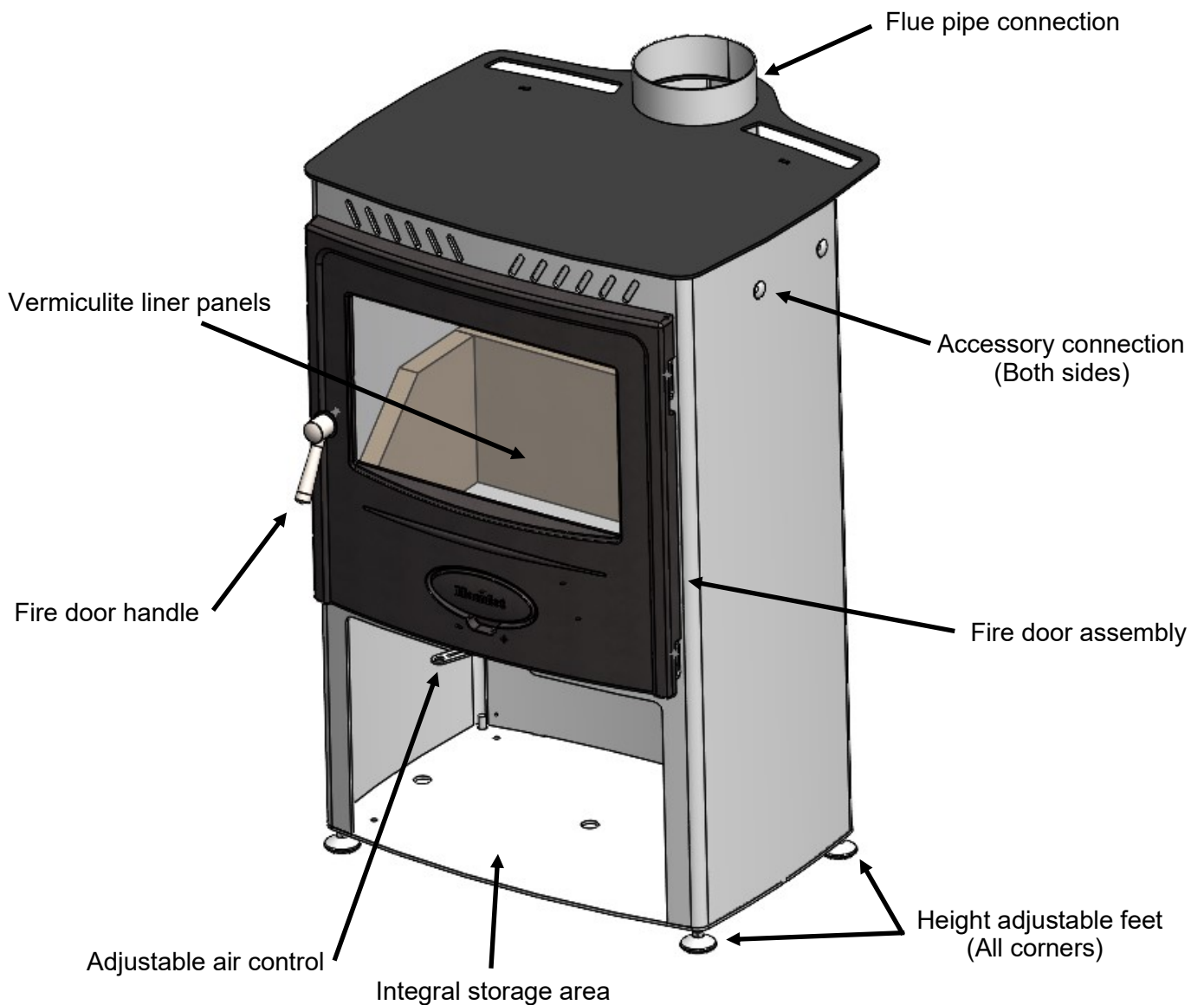
- 1x Flue Pipe
- 1x Flue Cover
- 4x Vermiculite Liner Panels
- 1x Fire Door Handle

Installation of the above items should be carried out by a suitably competent person (s).

## Contents

1. Identifying your heater .....	3
2. Warnings .....	4
3. Preparation for use .....	5
4. Lighting your heater .....	6
5. Care of your heater .....	7
6. Warranty .....	7
7. Optional accessories.....	7
8. Recycling.....	8

### 1. Identifying Your Heater





## IMPORTANT INFORMATION

### 2. Warnings—

Any manufacturer's instructions must not be taken as overriding statutory requirements.

The appliance is solely designed only to be used **OUTDOORS** and should never be installed or used inside a building or property.

**Do Not** use this heater under a covered area, such as an tent or marquee or gazebo.

**Do Not** use aerosol sprays or other flammable materials near the appliance when in use.

**Do Not** use the appliance as an incinerator.

**For WOOD & LUMP WOOD CHARCOAL use ONLY.** We recommended seasoned dry wood logs with a moisture content of less than 20% for heating purposes and if using the appliance for cooking, then dry lump wood charcoal can be used.

Pure petroleum coke or Bituminous house coal or MSF (manufactured solid fuels) must **NOT** be burned in this appliance.

The use of these fuels will invalidate the appliance guarantee.

Use only recommended fuels, **STRICTLY NO** unsuitable and non recommended fuels or materials or liquid fuels allowed.

A suitable non flammable level surface would be an ideal location for the heater, however, the appliance can be used upon wooden decking or grass, but caution should be exercised when re-fuelling the appliance due to the risk of hot falling ash when the fire door is opened and closed.

**Caution** must be exercised during operation of the appliance as both internal and external surfaces will be hot to touch, use suitable stove gauntlets.

**Caution** the fire door handle will be **HOT** when the appliance is in operation, always use suitable stove hot gloves or gauntlets, when opening or closing the door.

**Caution** should be used in the presence of children, elderly people and pets should be kept away from the appliance or use a suitable fireguard conforming to BS 8423:2002 could be used.

Always observe the distances to combustible materials.

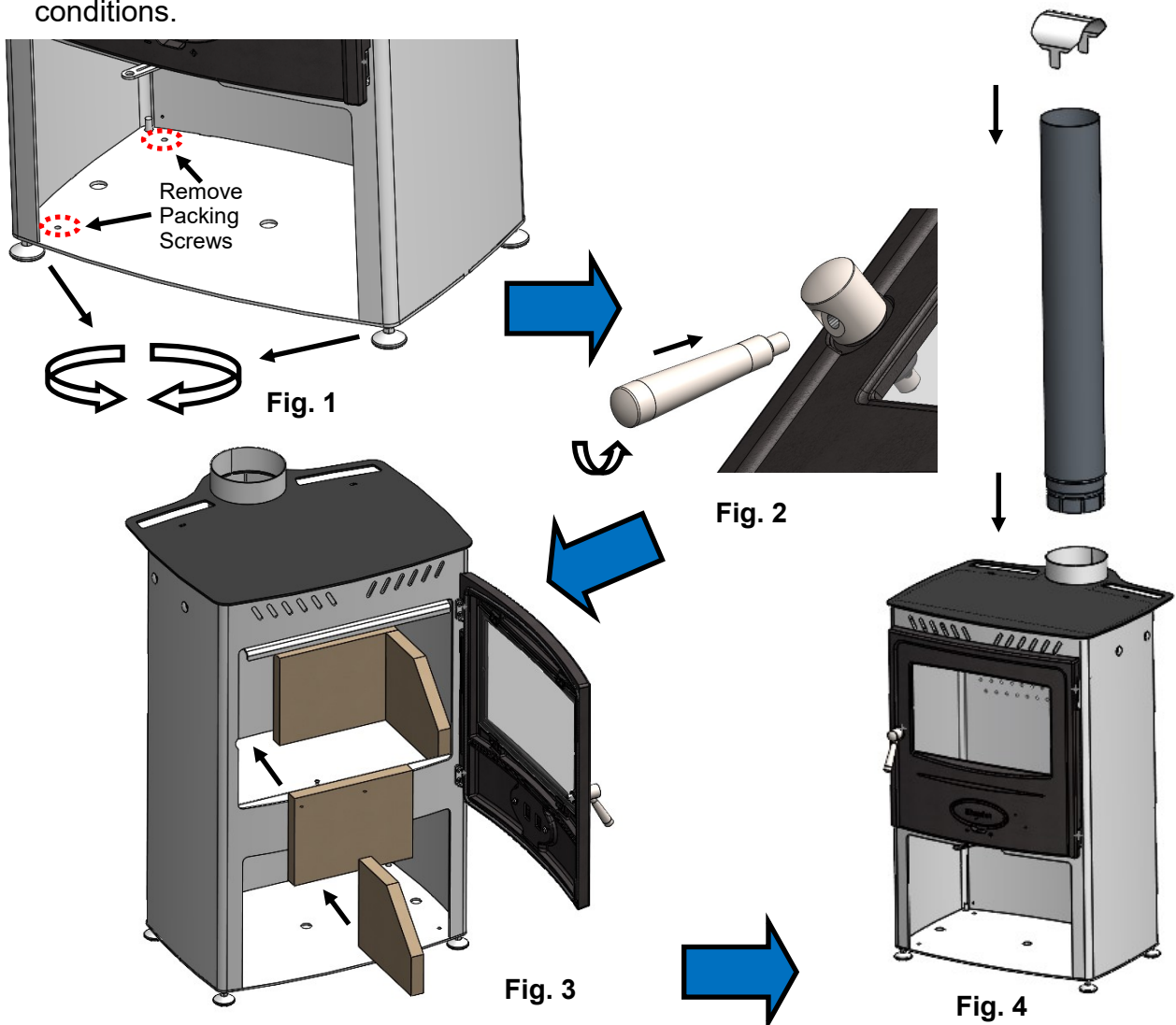
Ensure no soft furnishings or garden foliage, such as overhanging branches, leaves and bushes are susceptible to heat radiating from the appliance.

Ignoring the warnings could lead to damage/injury to persons and/or property.

Arada Ltd will not be responsible for any consequential or incidental loss or injury however caused.

### 3. Preparation For Use —

- Locate a suitable placement for the heater, taking in mind the location of combustible materials and level ground requirements. Moving of the heater is best done using a sack truck, with an additional person steadying and guiding the front.
- Remove the outer cardboard packaging and internal plastic bag. See section on recycling.
- Inside the internal storage compartment, there are 4 no. temporary screws holding the appliance to the base packaging pallet, these will need to be removed and the heater carefully moved onto the ground. Again the wooden pallet can be recycled.
- At each of the 4x corners, there are height adjustment screws, these have swivelling heads and can be adjusted accordingly to suit the ground conditions. Use a 12mm open ended spanner (See Fig. 1).
- The door can then be opened with a suitable metal rod or screwdriver inserted into the threaded handle boss. Rotate boss clockwise to open.
- Locate the tapered fire door handle and screw this into the threaded section of the door boss (See Fig. 2).
- Position the 4x vermiculite liners into the firebox, note the 2x shaped ones are fitted at the sides and the rectangular ones to the rear of the fire box (See Fig. 3).
- Next slot the 1metre length of 5" (127mm) flue pipe into the connector. Ensure this is vertical (See Fig.4).
- Finally, place the flue cover on top of the flue pipe. This can be rotated through 360 degrees, so can be adjusted to suit the prevailing wind conditions.



## 4. Lighting Your Heater —

- Open the fire door.
- Move the air control to the right, this is the maximum open position of the control. (See Fig. 5.)
- Using the 'Top Down Lighting Technique', begin to place 2x large logs (approx. 100mm in diameter) in the front to back position, within the base of the firebox. (See Fig. 6)
- Next, place smaller logs 180 degrees to the larger logs. Infill these with suitable firelighters.
- On top of the smaller logs, build a grid of kindling and place a further fire lighter on the very top. (See Fig. 7)
- Light the top fire lighter, leaving the door slightly ajar, the structure will start to burn downwards causing the lower combustion products to ignite.
- Leave the door open for approximately 5-10mins, to establish an ash bed.
- Reload on to a hot glowing ember bed with fresh logs, close the fire door.
- Regulate the burn rate and heat output, by reducing the air control. (See Fig. 8)
- If using charcoal as fuel, please follow the above procedure for initially lighting on wood and when the initial fuel load has burnt to a hot ember bed re-fuel with charcoal, allow to burn down to white hot embers before attempting to cook.



**DO NOT** use any flammable liquids for lighting or re-lighting this heater.

During the first lighting an odour may be present, this is normal and will disappear once the paint has cured.

**KEEP**, Children, elderly and pets away from the appliance during use.

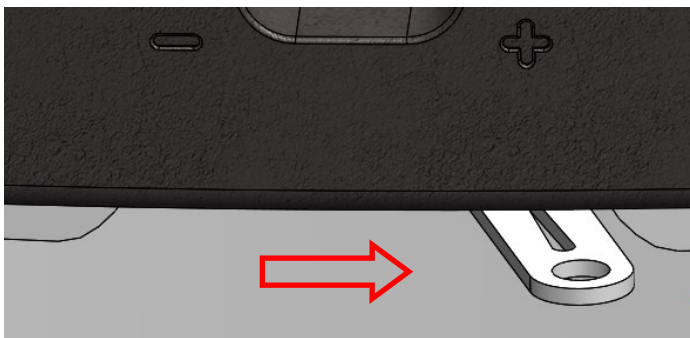


Fig. 5

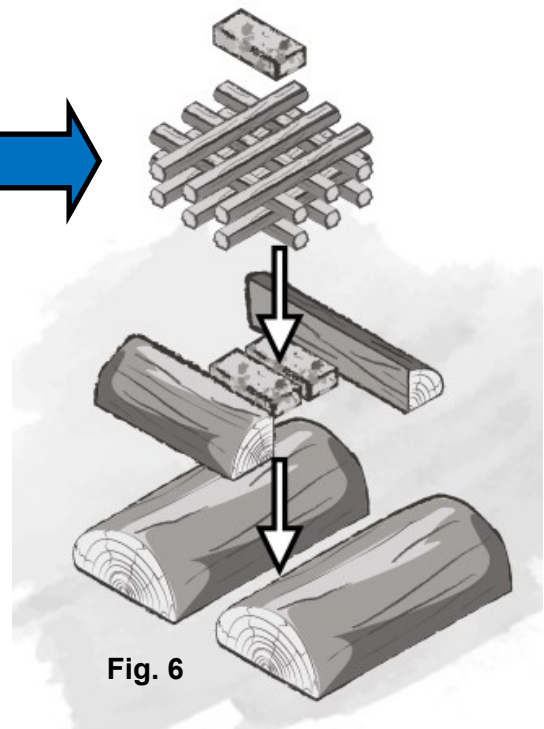
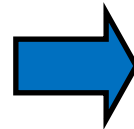


Fig. 6

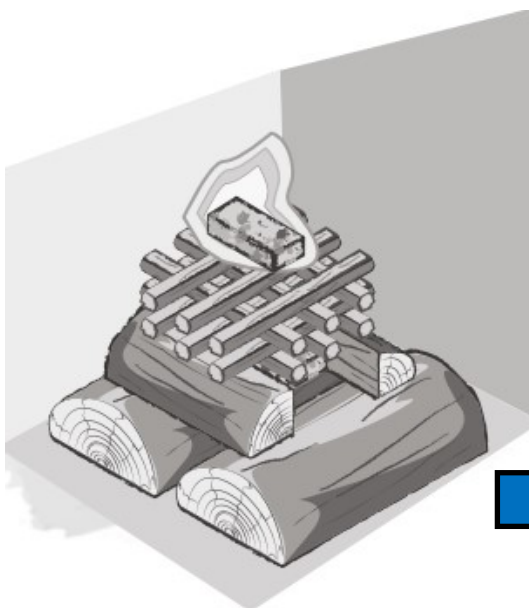


Fig. 7

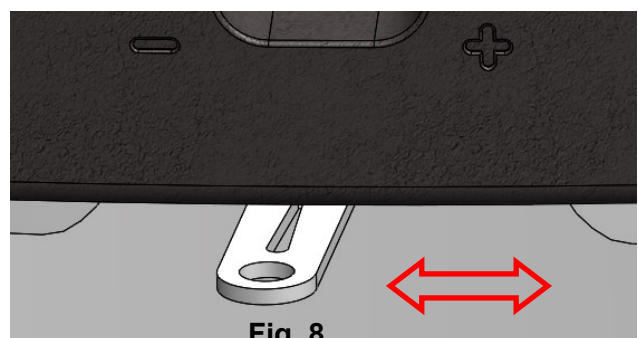
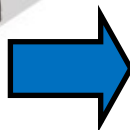


Fig. 8

## 5. Care Of Your Heater —



After use, allow your heater to completely cool. **Caution** should be exercised, as although the flame may be extinguished, there may be red hot embers or the casing of the appliance may still be **HOT**.

- Before moving or cleaning the appliance ensure it is cool to touch.
- Do not allow the ash to build up above the base of the door opening, remove the ash if it becomes too high. Dispose of the ash appropriately.
- The door glass can be cleaned with a damp cloth and a touch of wood ash to act as a mild abrasive. For very heavy deposits, a scotchbrite pad can be use gently, with a glass cleaner.
- Cleaning the exterior finish, use a soft brush and a damp lint free cloth.
- Your Garden Heater is designed to be kept undercover and dry when not in use. The upper canopy surface does have a rear facing slope to aid moisture run off, if the appliance does get wet.
- For long term storage over the winter months, we recommend removing the flue and flue cover, fully opening the air control and leaving the fire door ajar. Apply a coating of light oil (linseed) over the exterior and cover with a waterproof tarpaulin.
- After long term storage, inspect the heater for wear and tear or damage. Should external areas need re-painting, only use Arada high temperature aerosol paint, as differing paints may react with the surface finish.
- Replacement parts can be obtained from [www.aradastovesandspares.com](http://www.aradastovesandspares.com) or your local retailer.



PLEASE NOTE : Discolouring of the exterior finish and surface oxidation is normal, through usage, and adds to the patina of the appliance.

## 6. Warranty —

Your Garden Heater comes with a **ONE** year warranty, covering against defect in materials and workmanship.

For the purposes of this warranty, a material or manufacturing defect includes the splitting or cracking of the main body (defined as the steel outer casing and items fixed immovably to the casing).

All other items are classed as consumable components and are therefore subject to damage through wear and tear or incorrect use or application, such as over-firing or the use of non specified or incorrect fuels.

## 7. Optional Accessories —

Additional optional accessories are available for your Garden Heater, these can be purchased via your suppling retailer or direct from [www.aradastoves.com](http://www.aradastoves.com).

Available options include:

- Pizza stone, pizza peel, gauntlets and support bracket (Part code : ARA057)
- Arada stove gauntlets (Pair) (Part code : ARA055)
- Extendable side shelves (Part code : ARA058)

## 7. Recycling



### 7.1 Packaging recycling

The majority of the packaging components can be recycled, by the material components:

**WOOD** (Pallet) - Household quantities of wood can be taken to your local [Household Waste Recycling Centre](#).

**CARDBOARD** (Outer packaging) - Most local councils will collect cardboard as part of their kerbside collection; Otherwise, cardboard can be recycled at your local [Household Waste Recycling Centre](#).

**PLASTIC** (Internal Bubble Packing / Bags / Outer Strapping) - Some district councils collect plastic packaging in their kerbside collections; Alternatively, most supermarkets have plastic bag collections. The outer strapping should be taken to your local [Household Waste Recycling Centre](#).



**RECYCLE**

### 7.2 End of life product recycling

Again like the packaging the majority of the appliance components can be recycled, by the material components:

**CAST IRON & STEEL** - All metal components can be recycled at your local [Household Waste Recycling Centre](#).

**GLASS** - Most local councils will collect glass as part of their household kerbside collection; Otherwise, glass can be recycled at your local [Household Waste Recycling Centre](#).

**FIREBOX LINERS & GASKETS/SEALS** - These components are currently not recyclable and should be disposed off at your [Household Waste Recycling Centre](#).

Your local Household Waste Recycling Centre can be located—  
<https://www.recyclenow.com/local-recycling?>



**Arada Ltd**

The Fireworks, Weycroft Avenue, Axminster, Devon, EX13 5HU United Kingdom

[www.aradastoves.com](http://www.aradastoves.com)

[www.aradastovesandspares.com](http://www.aradastovesandspares.com)

Tel: +44 (0)1297 632 050

