

ARADA

DEVON



TIMELESS CLASSICS

Putting warmth at the heart of the home

Ecoburn 5 (Series 3)



Ecoburn 5 Series 3

The all-new series three Ecoburn 5 multi-fuel stove features the latest in Arada heating technology that combines a traditional stove appearance whilst meeting Ecodesign standards for clean burning on either wood or solid fuel.

Features

- Meets Ecodesign standards for clean burning on both Wood and Solid Fuel
- Lifetime guarantee
- Non-smoker paint, available in seven colours
- Approved for use in Smoke Control Areas
- Stainless steel ash pan and throat plate
- Top or rear 127mm (5") flue outlet
- Direct air compatible
- Preheated airwash system for clean glass
- Externally controlled riddling grate
- Height adjusting legs as standard
- Optional rear heat shield for closer positioning to combustibles

Dimensions

| | |
|------------------|--------|
| Width | 453 mm |
| Height | 617 mm |
| Depth | 404 mm |
| Ideal log length | 300 mm |



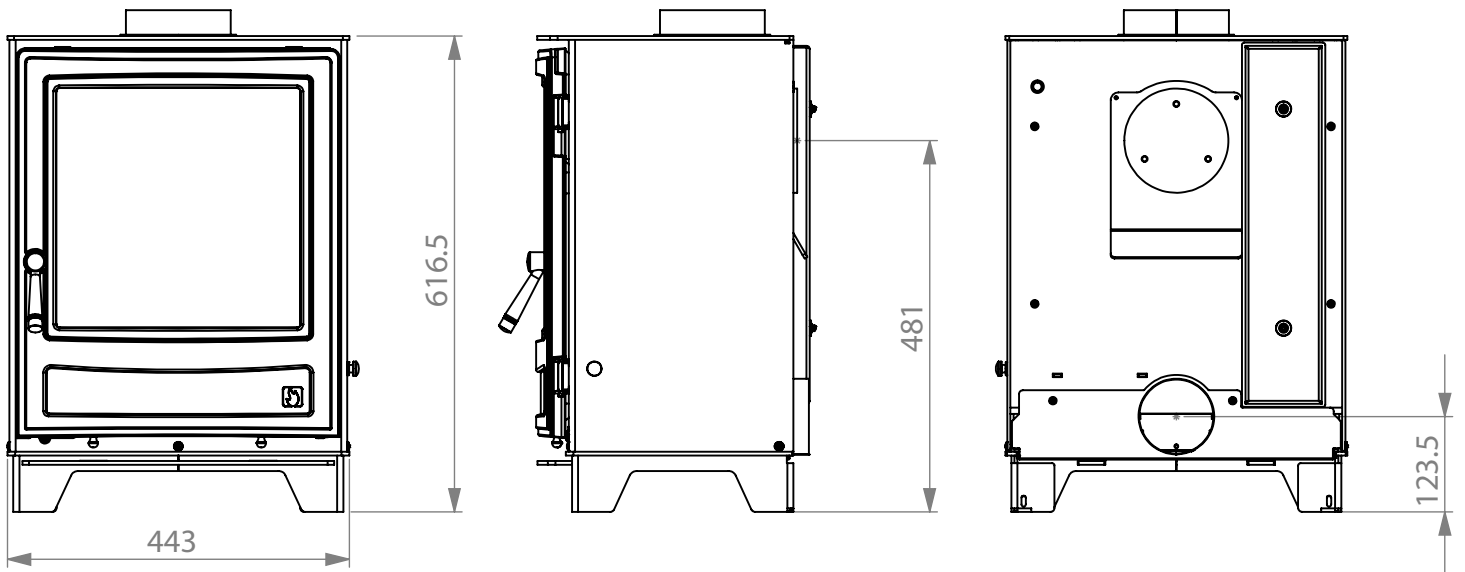
Ecoburn 5



Discreet but easy to use air controls

Optional Extras: Safety Handle / Rear heat shield / Direct air kit / Floor fixing kit

Ecoburn 5 (Series 3)



Dimensions

| | |
|---------------------------------------|---------------|
| Width (inc. riddle control) | 453 mm |
| Height | 617 mm |
| Depth | 404 mm |
| Flue Diameter | 127 mm |
| Depth from back to centre of top flue | 134 mm |
| Height to centre of rear flue | 481 mm |
| Ideal log length / diameter | 300mm / 100mm |

Features

| | |
|--|--------------|
| Stove body type | Freestanding |
| Ecodesign Ready | Yes |
| Suitable for smoke control areas | Yes |
| Suitable for direct air connection | Yes |
| Suitable for non-combustible 12mm hearth | Yes |
| Weight gross (packed kg) | 81.5 Kg |
| Weight nett (unpacked kg) | 76.5 Kg |

Performance

| | Wood Fuel | Solid Fuel |
|--|--------------------------|-----------------------|
| Energy Efficiency Class | A | D |
| Nett Efficiency | 79.8 % | 82.3 % |
| Nominal Output | 4.9 kW | 4.9 kW |
| Mean Co Emission (@13% O ₂) | 0.11 % | 0.1 % |
| DIN+ particulate | 27 Nmg/m ³ | 10 Nmg/m ³ |
| Mean NO _x Emission (@13% O ₂) | 95 Nmg/m ³ | 94 Nmg/m ³ |
| Mean OGC Emission (@13% O ₂) | 86 Nmg/m ³ | 26 Nmg/m ³ |
| Flue Gas Mass Flow | 4.7 g/s | 3.5 g/s |
| Flue Gas Temperature | 255 °C | 254°C |
| Typical Fuel load for nominal rated output per hour (kWh/Kg) | 1.17 (Seasoned hardwood) | 0.69 (MSF Maxibrite) |

Minimum distance to combustibles

| | A | B | C |
|------------------|---------|--------|---------|
| Rear | 700 mm | 350 mm | 75 mm |
| Side | 550 mm | 525 mm | 500 mm |
| Max hearth temp. | 53.9 °C | 51 °C | 50.9 °C |

A = Single Walled Flue, without Rear Heat Shield fitted
 B = Single Walled Flue, with Rear Heat Shield fitted
 C = Twin Walled Flue, with Rear Heat Shield fitted

Direct air spigot location

(when viewing the rear side of the stove)

| | |
|-------------------------------|----------|
| Horizontal position | Centre |
| Distance from floor to centre | 123.5 mm |

We recommend this appliance is installed with clearance of 100mm to non-combustible materials
 Installation and operating instructions for this stove are available online at www.aradastoves.com.

Ecoburn 5 Widescreen (Series 3)



Ecoburn 5 Widescreen Series 3 in Atlantic blue

The all-new series three Ecoburn 5 multi-fuel stove features the latest in Arada heating technology that combines a traditional stove appearance whilst meeting Ecodesign standards for clean burning on either wood or solid fuel.

The Ecoburn 5 Widescreen has a heat output of 4.9kW like its smaller sibling and its optional direct air kit makes it suitable for installing in modern air-sealed homes. The large flame glass window totally enhances the cosy vibe of a lit stove.

Features

- Meets Ecodesign standards for clean burning on both Wood and Solid Fuel
- Lifetime guarantee
- Non-smoker paint, available in seven colours
- Approved for use in Smoke Control Areas
- Stainless steel ash pan and throat plate
- Top or rear 127mm (5") flue outlet
- Direct air compatible
- Preheated airwash system for clean glass
- Externally controlled riddling grate
- Height adjusting legs as standard
- Optional rear heat shield for closer positioning to combustibles

Dimensions

| | |
|------------------|--------|
| Width | 518 mm |
| Height | 631 mm |
| Depth | 404 mm |
| Ideal log length | 375 mm |



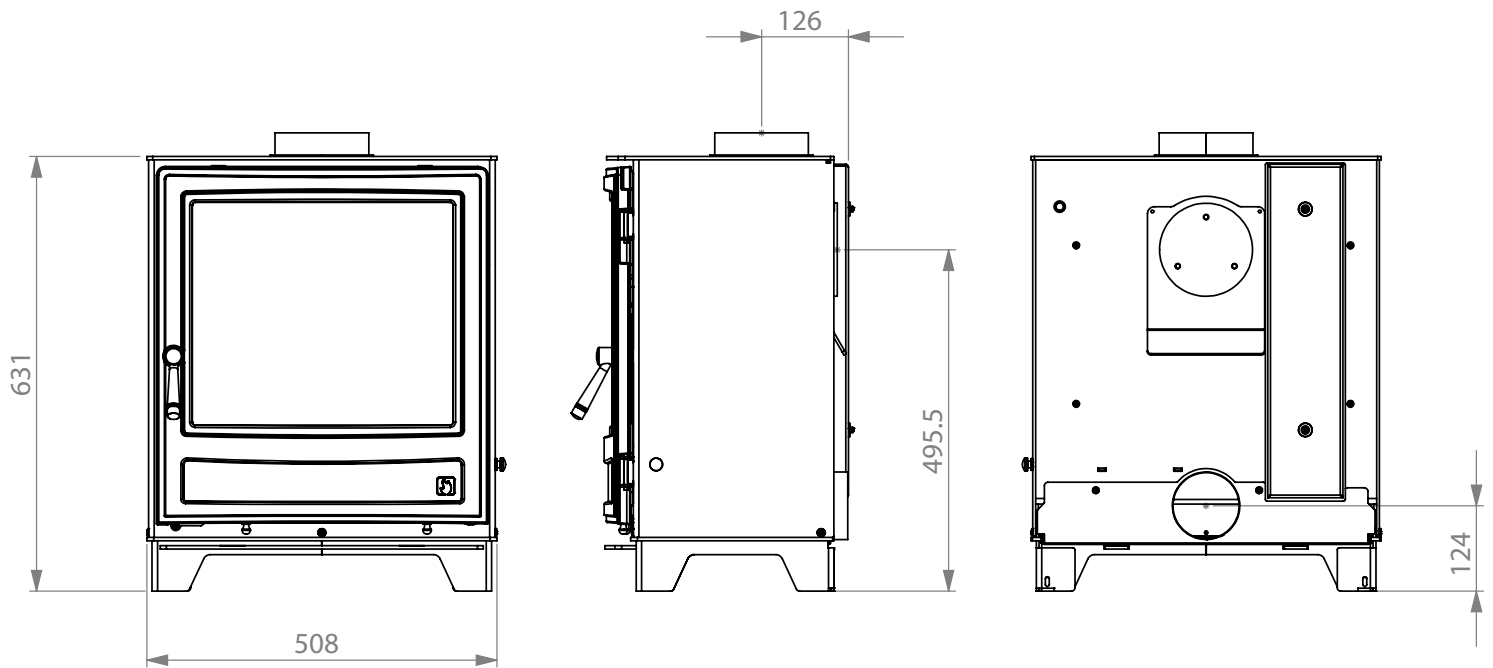
Ecoburn 5 Widescreen



Available in multiple colours, all easy to keep clean

Optional Extras: Safety Handle / Rear heat shield / Direct air kit / Floor fixing kit

Ecoburn 5 Widescreen (Series 3)



Dimensions

| | |
|---------------------------------------|---------------|
| Width (inc riddle control) | 518 mm |
| Height | 631 mm |
| Depth | 404 mm |
| Flue Diameter | 127 mm |
| Depth from back to centre of top flue | 134 mm |
| Height to centre of rear flue | 496 mm |
| Ideal log length / diameter | 375mm / 100mm |

Features

| | |
|--|--------------|
| Stove body type | Freestanding |
| Ecodesign Ready | Yes |
| Suitable for smoke control areas | Yes |
| Suitable for direct air connection | Yes |
| Suitable for non-combustible 12mm hearth | Yes |
| Weight gross (packed kg) | 93 Kg |
| Weight nett (unpacked kg) | 88 Kg |

Performance

| | Wood Fuel | Solid Fuel |
|--|--------------------------|------------------------|
| Energy Efficiency Class | A+ | E |
| Nett Efficiency | 81.3 % | 79.3 % |
| Nominal Output | 4.9 kW | 4.9 kW |
| Mean Co Emission (@13% O ₂) | 0.10 % | 0.09 % |
| DIN+ particulate | 22 Nmg/m ³ | 9 Nmg/m ³ |
| Mean NO _x Emission (@13% O ₂) | 82 Nmg/m ³ | 102 Nmg/m ³ |
| Mean OGC Emission (@13% O ₂) | 68 Nmg/m ³ | 19 Nmg/m ³ |
| Flue Gas Mass Flow | 4.1 g/s | 4.2 g/s |
| Flue Gas Temperature | 257 °C | 281 °C |
| Typical Fuel load for nominal rated output per hour (kWh/Kg) | 1.15 (Seasoned hardwood) | 0.73 (MSF Maxibrite) |

Minimum distance to combustibles

| | A | B | C |
|------------------|--------|---------|---------|
| Rear | 650 mm | 300 mm | 50 mm |
| Side | 450 mm | 450 mm | 250 mm |
| Max hearth temp. | 87 °C | 43.4 °C | 51.1 °C |

A = Single Walled Flue, without Rear Heat Shield fitted
 B = Single Walled Flue, with Rear Heat Shield fitted
 C = Twin Walled Flue, with Rear Heat Shield fitted

Direct air spigot location

(when viewing the rear side of the stove)

| | |
|-------------------------------|--------|
| Horizontal position | Centre |
| Distance from floor to centre | 124 mm |

We recommend this appliance is installed with clearance of 100mm to non-combustible materials
 Installation and operating instructions for this stove are available online at www.aradastoves.com.

Ecoburn 7 (Series 3)



Ecoburn 7 Series 3

The all-new series three Ecoburn 5 multi-fuel stove features the latest in Arada heating technology that combines a traditional stove appearance whilst meeting Ecodesign standards for clean burning on either wood or solid fuel.

Features

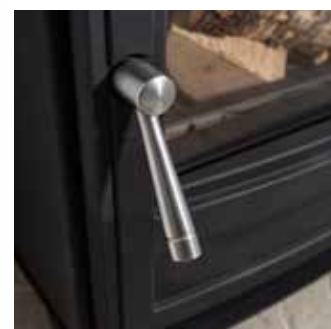
- Meets Ecodesign standards for clean burning on both Wood and Solid Fuel
- Lifetime guarantee
- Non-smoker paint, available in seven colours
- Approved for use in Smoke Control Areas
- Stainless steel ash pan and throat plate
- Top or rear 127mm (5") flue outlet
- Direct air compatible
- Preheated airwash system for clean glass
- Externally controlled riddling grate
- Height adjusting legs as standard
- Optional rear heat shield for closer positioning to combustibles

Dimensions

| | |
|------------------|--------|
| Width | 518 mm |
| Height | 631 mm |
| Depth | 404 mm |
| Ideal log length | 375 mm |



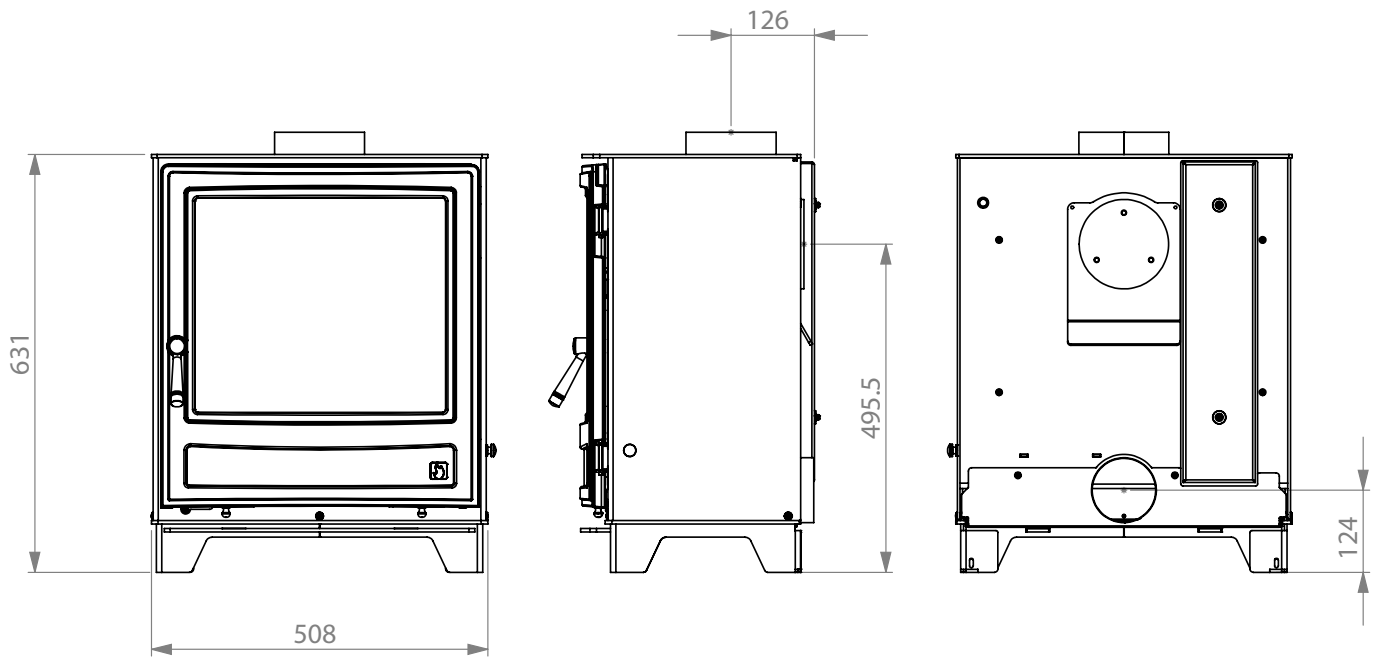
Ecoburn 7



Stylish and robust fire door

Optional Extras: Safety Handle / Rear heat shield / Direct air kit / Floor fixing kit

Ecoburn 7 (Series 3)



Dimensions

| | |
|---------------------------------------|---------------|
| Width (inc. riddle control) | 518 mm |
| Height | 631 mm |
| Depth | 404 mm |
| Flue Diameter | 127 mm |
| Depth from back to centre of top flue | 134 mm |
| Height to centre of rear flue | 496 mm |
| Ideal log length / diameter | 375mm / 100mm |

Features

| | |
|--|--------------|
| Stove body type | Freestanding |
| Ecodesign Ready | Yes |
| Suitable for smoke control areas | Yes |
| Suitable for direct air connection | Yes |
| Suitable for non-combustible 12mm hearth | Yes |
| Weight gross (packed kg) | 92 Kg |
| Weight nett (unpacked kg) | 87 Kg |

Performance

| | Wood Fuel | Solid Fuel |
|--|--------------------------|------------------------|
| Energy Efficiency Class | A | D |
| Nett Efficiency | 79.8 % | 81.2 % |
| Nominal Output | 7.0 kW | 7.1 kW |
| Mean Co Emission (@13% O ₂) | 0.09 % | 0.11 % |
| DIN+ particulate | 38 Nmg/m ³ | 10 Nmg/m ³ |
| Mean NO _x Emission (@13% O ₂) | 102 Nmg/m ³ | 116 Nmg/m ³ |
| Mean OGC Emission (@13% O ₂) | 72 Nmg/m ³ | 39 Nmg/m ³ |
| Flue Gas Mass Flow | 5.6 g/s | 5.6 g/s |
| Flue Gas Temperature | 310 °C | 271 °C |
| Typical Fuel load for nominal rated output per hour (kWh/Kg) | 1.55 (Seasoned hardwood) | 1.01 (MSF Maxibrite) |

Minimum distance to combustibles

| | A | B | C |
|------------------|--------|---------|---------|
| Rear | 650 mm | 350 mm | 100 mm |
| Side | 600 mm | 600 mm | 500 mm |
| Max hearth temp. | 95 °C | 91.9 °C | 71.1 °C |

A = Single Walled Flue, without Rear Heat Shield fitted
 B = Single Walled Flue, with Rear Heat Shield fitted
 C = Twin Walled Flue, with Rear Heat Shield fitted

Direct air spigot location

(when viewing the rear side of the stove)

| | |
|-------------------------------|--------|
| Horizontal position | Centre |
| Distance from floor to centre | 124 mm |

We recommend this appliance is installed with clearance of 100mm to non-combustible materials
 Installation and operating instructions for this stove are available online at www.aradastoves.com.

Farringdon Small Eco



Farringdon Small Eco shown in Spice red with optional colour-matched log store

The Farringdon range epitomises the finest of British design with innovative technology, exceptional heat control and a generously-proportioned viewing glass.

Farringdon stoves are Ecodesign Ready so they are cleaner burning and have fantastic fuel efficiency.

This is a stylish option for heating any energy-conscious home.

Dimensions

| | |
|------------------|--------|
| Width | 495 mm |
| Height | 638 mm |
| Depth | 362 mm |
| Ideal log length | 360 mm |

Features

- Lifetime guarantee
- Better than Ecodesign standards when burning wood or solid fuel
- Available in seven colours
- Approved for use in Smoke Control Areas
- Stainless steel ash pan and throat plate
- Top or rear flue fitting
- Direct air compatible
- Preheated airwash system for clean glass
- Externally controlled riddling grate - from either side
- Rear heat shield for closer positioning to combustibles
- Height adjusting legs as standard
- Choice of standard detachable handle or optional detachable wooden handle



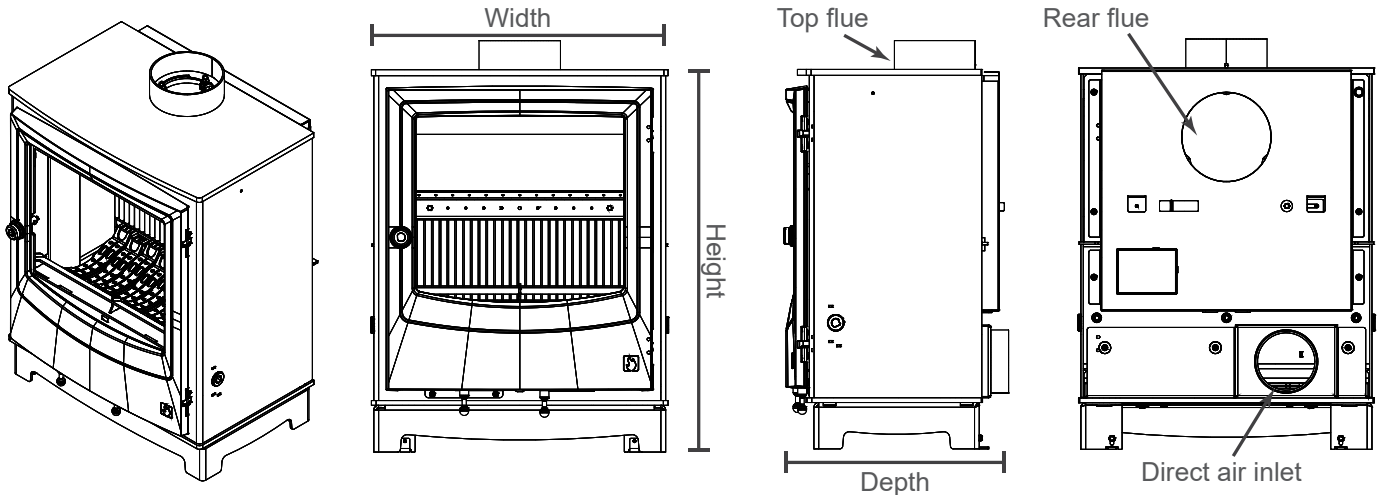
Farringdon Small Eco



Optional wooden handle

Optional Extras: Wooden safety handle / Stand / Log store / Pedestal / Floor fixing kit

Farrington Small Eco



Dimensions

| | |
|---------------------------------------|----------|
| Width (across canopy) | 495 mm |
| Height (on standard fitted feet) | 638 mm |
| Depth (including handle boss) | 362 mm |
| Height of stand | 130 mm |
| Height of pedestal | 253 mm |
| Height of log store | 310 mm |
| Total height on stand | 768 mm |
| Total height on pedestal | 891 mm |
| Total height on log store | 948 mm |
| Flue diameter | 127 mm |
| Depth from back to centre of top flue | 108.5 mm |
| Height to centre of rear flue | 522.5 mm |
| Ideal log length | 360 mm |

Performance

| | Wood Fuel | Solid Fuel |
|---|---------------------------------|-----------------------------|
| Energy Efficiency Class | A | D |
| Nett Efficiency | 77.8 % | 82.4 % |
| Nominal Output | 5 kW | 4.9 kW |
| Mean Co Emission (@13% O2) | 0.11 % | 0.06 % |
| Mean CO2 Emission | 9.5 % | 11.6 % |
| DIN+ particulate | 13 Nmg/m3 | 5 Nmg/m3 |
| Mean NOx Emission (@13% O2) | 79 Nmg/m3 | 79 Nmg/m3 |
| Mean OGC Emission (@13% O2) | 92 Nmg/m3 | 5 Nmg/m3 |
| Flue Gas Mass Flow | 5.1 g/s | 3.5 g/s |
| Flue Gas Temperature | 261 °C | 272 °C |
| Typical fuel load to achieve rated nominal heat output/hr | 1.11 kWh/kg (seasoned hardwood) | 0.71 kWh/kg (MSF Maxibrite) |

Features

| | |
|--|--------------|
| Stove body type | Freestanding |
| Ecodesign Ready | Yes |
| Suitable for smoke control areas | Yes |
| Suitable for direct air connection | Yes |
| Suitable for non-combustible 12mm hearth | Yes |
| Weight gross (packed kg) | 107 Kg |
| Weight nett (unpacked kg) | 102 Kg |

Minimum distance to combustibles

Single Walled Flue, without Rear Heat Shield fitted

| | |
|-----------------|--------|
| Rear | 300 mm |
| Side | 500 mm |
| Max hearth temp | 43 °C |

Twin Walled Flue with Rear Heat Shield fitted

| | |
|-----------------|--------|
| Rear | 250 mm |
| Side | 400 mm |
| Max hearth temp | 43 °C |

Direct air spigot location

(when viewing the rear side of the stove)

| | |
|---|--------|
| Distance from right hand side to centre | 143 mm |
| Distance from floor to centre | 155 mm |

We recommend this appliance is installed with clearance of 100mm to non-combustible materials
Installation and operating instructions for this stove are available online at www.aradastoves.com.

Farringdon Medium Eco



Farringdon Small Eco shown in Mist grey

The Farringdon range epitomises the finest of British design with innovative technology, exceptional heat control and a generously-proportioned viewing glass.

Farringdon stoves are Ecodesign Ready so they are cleaner burning and have fantastic fuel efficiency. This is a stylish option for heating any energy-conscious home.

Dimensions

| | |
|------------------|--------|
| Width | 533 mm |
| Height | 666 mm |
| Depth | 362 mm |
| Ideal log length | 430 mm |



Farringdon Medium Eco



Optional wooden handle

Features

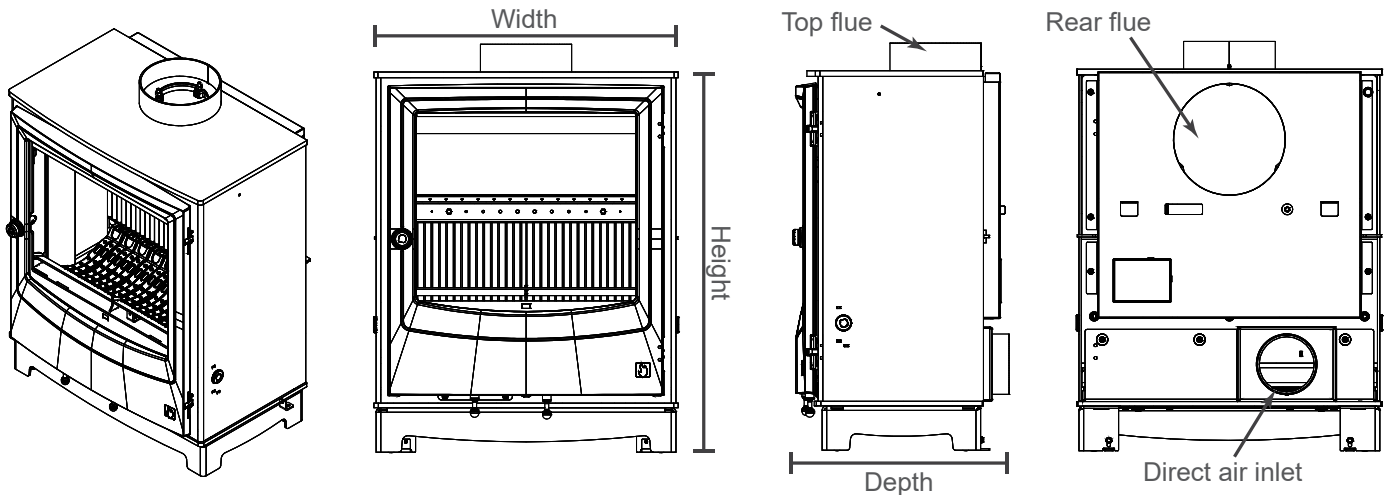
- Lifetime guarantee
- Better than Ecodesign standards when burning wood or solid fuel
- Available in seven colours
- Approved for use in Smoke Control Areas
- Stainless steel ash pan and throat plate
- Top or rear flue fitting*
- Direct air compatible
- Preheated airwash system for clean glass
- Externally controlled riddling grate - from either side
- Rear heat shield for closer positioning to combustibles
- Height adjusting legs as standard
- Choice of standard detachable handle or optional detachable wooden handle

*6 inch spigot supplied as standard.

5 inch spigot available free of charge on request

Optional Extras: Wooden safety handle / Stand / Log store / Pedestal / Floor fixing kit

Farrington Medium Eco



Dimensions

| | |
|---------------------------------------|----------|
| Width (across canopy) | 533 mm |
| Height (on standard fitted feet) | 666 mm |
| Depth (including handle boss) | 362 mm |
| Height of stand | 130 mm |
| Height of pedestal | 273 mm |
| Height of log store | 330 mm |
| Total height on stand | 796 mm |
| Total height on pedestal | 939 mm |
| Total height on log store | 996 mm |
| Flue diameter | 152 mm |
| Depth from back to centre of top flue | 113.5 mm |
| Height to centre of rear flue | 547.5 mm |
| Ideal log length | 430 mm |

| Performance | Wood Fuel | Solid Fuel |
|---|---------------------------------|-----------------------------|
| Energy Efficiency Class | A | E |
| Nett Efficiency | 76.1 % | 79.8 % |
| Nominal Output | 8.2 Kw | 8.1 kW |
| Mean Co Emission (@13% O2) | 0.06 % | 0.03 % |
| Mean CO2 Emission | 9.9 % | 12.2 % |
| DIN+ particulate | 27 Nmg/m3 | 7 Nmg/m3 |
| Mean NOx Emission (@13% O2) | 97 Nmg/m3 | 128 Nmg/m3 |
| Mean OGC Emission (@13% O2) | 40 Nmg/m3 | 3 Nmg/m3 |
| Flue Gas Mass Flow | 8 g/s | 5.5 g/s |
| Flue Gas Temperature | 293 °C | 340 °C |
| Typical fuel load to achieve rated nominal heat output/hr | 1.82 kWh/kg (seasoned hardwood) | 1.16 kWh/kg (MSF Maxibrite) |

Features

| | |
|--|--------------|
| Stove body type | Freestanding |
| Ecodesign Ready | Yes |
| Suitable for smoke control areas | Yes |
| Suitable for direct air connection | Yes |
| Suitable for non-combustible 12mm hearth | Yes |
| Weight gross (packed kg) | 117 Kg |
| Weight nett (unpacked kg) | 112 Kg |

Minimum distance to combustibles

Single Walled Flue, without Rear Heat Shield fitted

| | |
|-----------------|--------|
| Rear | 500 mm |
| Side | 550 mm |
| Max hearth temp | 47 °C |

Twin Walled Flue with Rear Heat Shield fitted

| | |
|-----------------|--------|
| Rear | 430 mm |
| Side | 580 mm |
| Max hearth temp | 47 °C |

Direct air spigot location

(when viewing the rear side of the stove)

| | |
|---|--------|
| Distance from right hand side to centre | 168 mm |
| Distance from floor to centre | 151 mm |

We recommend this appliance is installed with clearance of 100mm to non-combustible materials
Installation and operating instructions for this stove are available online at www.aradastoves.com.

Farringdon Large Eco



Farringdon Small Eco shown in Chestnut on optional colour-matched stand

The Farringdon range epitomises the finest of British design with innovative technology, exceptional heat control and a generously-proportioned viewing glass.

Farringdon stoves are Ecodesign Ready so they are cleaner burning and have fantastic fuel efficiency. This is a stylish option for heating any energy-conscious home.

Dimensions

| | |
|------------------|--------|
| Width | 615 mm |
| Height | 666 mm |
| Depth | 435 mm |
| Ideal log length | 500 mm |

Features

- Lifetime guarantee
- Better than Ecodesign standards when burning wood or solid fuel
- Available in seven colours
- Approved for use in Smoke Control Areas
- Stainless steel ash pan and throat plate
- Top or rear flue fitting*
- Direct air compatible
- Preheated airwash system for clean glass
- Externally controlled riddling grate - from either side
- Rear heat shield for closer positioning to combustibles
- Height adjusting legs as standard
- Choice of standard detachable handle or optional detachable wooden handle

*6 inch spigot supplied as standard.
5 inch spigot available free of charge on request



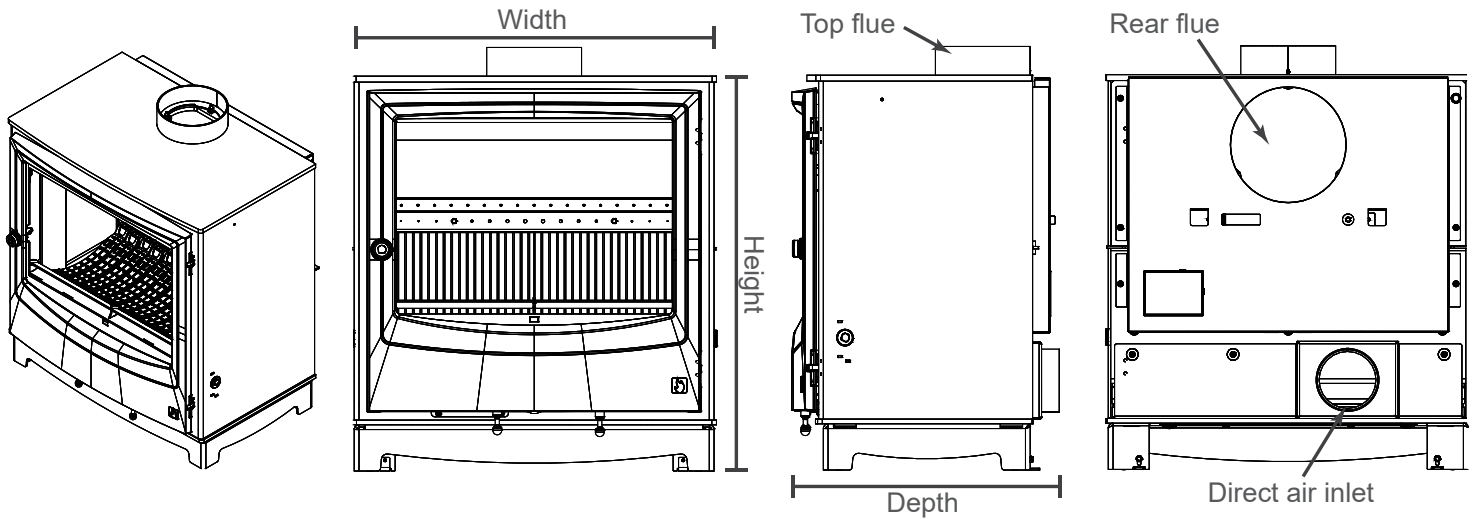
Farringdon Large Eco



Optional wooden handle

Optional Extras: Wooden safety handle / Stand / Log store / Pedestal / Floor fixing kit

Farrington Large Eco



Dimensions

| | |
|---------------------------------------|----------|
| Width (across canopy) | 615 mm |
| Height (on standard fitted feet) | 666 mm |
| Depth (including handle boss) | 435 mm |
| Height of stand | 130 mm |
| Height of pedestal | 293 mm |
| Height of log store | 330 mm |
| Total height on stand | 796 mm |
| Total height on pedestal | 959 mm |
| Total height on log store | 996 mm |
| Flue diameter | 152 mm |
| Depth from back to centre of top flue | 113.5 mm |
| Height to centre of rear flue | 547.5 mm |
| Ideal log length | 500 mm |

| Performance | Wood Fuel | Solid Fuel |
|---|---------------------------------|-----------------------------|
| Energy Efficiency Class | A | E |
| Nett Efficiency | 77 % | 79.8 % |
| Nominal Output | 10.6 Kw | 12.1 kW |
| Mean Co Emission (@13% O2) | 0.08 % | 0.04 % |
| Mean CO2 Emission | 12 % | 13.7 % |
| DIN+ particulate | 13 Nmg/m3 | 8 Nmg/m3 |
| Mean NOx Emission (@13% O2) | 75 Nmg/m3 | 66 Nmg/m3 |
| Mean OGC Emission (@13% O2) | 63 Nmg/m3 | 6 Nmg/m3 |
| Flue Gas Mass Flow | 8.5 g/s | 7.2 g/s |
| Flue Gas Temperature | 337 °C | 377 °C |
| Typical fuel load to achieve rated nominal heat output/hr | 1.74 kWh/kg (seasoned hardwood) | 1.74 kWh/kg (MSF Maxibrite) |

Features

| | |
|--|--------------|
| Stove body type | Freestanding |
| Ecodesign Ready | Yes |
| Suitable for smoke control areas | Yes |
| Suitable for direct air connection | Yes |
| Suitable for non-combustible 12mm hearth | Yes |
| Weight gross (packed kg) | 144 Kg |
| Weight nett (unpacked kg) | 138 Kg |

Minimum distance to combustibles

Single Walled Flue, without Rear Heat Shield fitted

| | |
|-----------------|--------|
| Rear | 600 mm |
| Side | 500 mm |
| Max hearth temp | 64 °C |

Twin Walled Flue with Rear Heat Shield fitted

| | |
|-----------------|--------|
| Rear | 430 mm |
| Side | 600 mm |
| Max hearth temp | 64 °C |

Direct air spigot location

(when viewing the rear side of the stove)

| | |
|---|--------|
| Distance from right hand side to centre | 208 mm |
| Distance from floor to centre | 151 mm |

We recommend this appliance is installed with clearance of 100mm to non-combustible materials
Installation and operating instructions for this stove are available online at www.aradastoves.com.

Farringdon Catalyst Eco



Farringdon Catalyst Eco Eco shown in Slate grey

The Farringdon range epitomises the finest of British design with innovative technology, exceptional heat control and a generously-proportioned viewing glass.

Farringdon stoves are Ecodesign Ready so they are cleaner burning and have fantastic fuel efficiency. This is a stylish option for heating any energy-conscious home.

Dimensions

| | |
|------------------|--------|
| Width | 615 mm |
| Height | 696 mm |
| Depth | 510 mm |
| Ideal log length | 500 mm |

Features

- Lifetime guarantee
- Better than Ecodesign standards for burning wood
- Available in seven colours
- Approved for use in Smoke Control Areas
- Stainless steel ash pan and throat plate
- 6 inch top flue
- Direct air compatible
- Preheated airwash system for clean glass
- Externally controlled riddling grate
- Rear heat shield for closer positioning to combustibles
- Height adjusting legs as standard
- Wooden handle supplied as standard



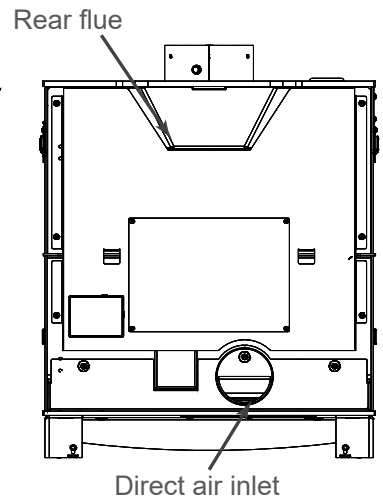
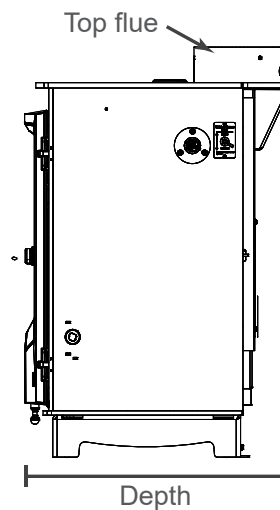
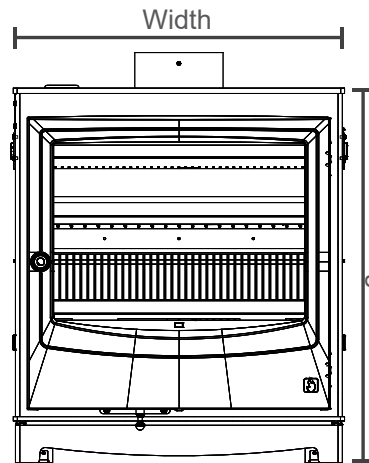
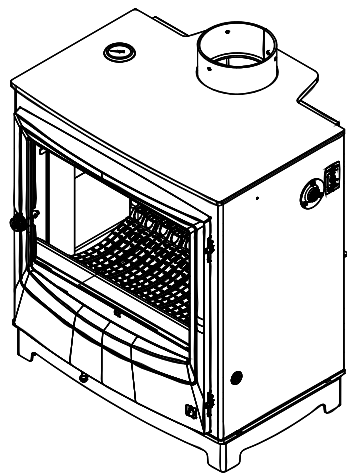
Farringdon Catalyst Eco



Wooden handle

Optional Extras: Stand / Log store / Pedestal / Floor fixing kit / Stainless steel handle

Farringdon Catalyst Eco



Dimensions

| | |
|---------------------------------------|---------|
| Width (across canopy) | 615 mm |
| Height (on standard fitted feet) | 696 mm |
| Depth (including handle boss) | 510 mm |
| Height of stand | 130 mm |
| Height of pedestal | 293 mm |
| Height of log store | 330 mm |
| Total height on stand | 826 mm |
| Total height on pedestal | 989 mm |
| Total height on log store | 1026 mm |
| Flue diameter | 152 mm |
| Depth from back to centre of top flue | 114 mm |
| Ideal log length | 500 mm |

Performance

| | Wood Fuel |
|--|------------------------|
| Energy Efficiency Class | A+ |
| Nett Efficiency | 82.4 % |
| Nominal Output | 11.4 Kw |
| Mean Co Emission (@13% O ₂) | 0.07 % |
| Mean CO ₂ Emission | 12.73 % |
| DIN+ particulate | 24 Nmg/m ³ |
| Mean NO _x Emission (@13% O ₂) | 92 Nmg/m ³ |
| Mean OGC Emission (@13% O ₂) | 111 Nmg/m ³ |
| Flue Gas Mass Flow | 7.5 g/s |
| Flue Gas Temperature | 300 °C |

Features

| | |
|--|--------------|
| Stove body type | Freestanding |
| Ecodesign Ready | Yes |
| Suitable for smoke control areas | Yes |
| Suitable for direct air connection | Yes |
| Suitable for non-combustible 12mm hearth | Yes |
| Weight gross (packed kg) | 144 Kg |
| Weight nett (unpacked kg) | 138 Kg |

Minimum distance to combustibles

| | Single Walled Flue |
|-----------------|--------------------|
| Rear | 400 mm |
| Side | 450 mm |
| Max hearth temp | 42.5 °C |

Direct air spigot location

(when viewing the rear side of the stove)

| | |
|---|--------|
| Distance from right hand side to centre | 208 mm |
| Distance from floor to centre | 151 mm |

We recommend this appliance is installed with clearance of 100mm to non-combustible materials
Installation and operating instructions for this stove are available online at www.aradastoves.com.



Holborn 5

Inspired by traditional stove design, the Holborn wears its influences with pride. Its protruding ash lip and flared feet grace the stove with the hallmarks of traditional stove design.

Internally this stove was designed to meet today's demands for low emissions and greater fuel efficiency, this 4.9 kW output model is an extremely efficient Ecodesign Ready stove at heart.

Features

- Surpasses Ecodesign standards for burning wood log fuel
- Approved for use in Smoke Control Areas
- Direct air compatible
- Lifetime guarantee
- Stainless steel ash pan and throat plate
- Top or rear 127mm flue outlet
- Non-smoker paint, available in seven colours
- Externally controlled riddling grate
- Optional rear heat shield for siting stove closer to non-combustible material
- Height adjusting feet as standard

Dimensions

| | |
|------------------|--------|
| Width | 485 mm |
| Height | 650 mm |
| Depth | 388 mm |
| Ideal log length | 300 mm |



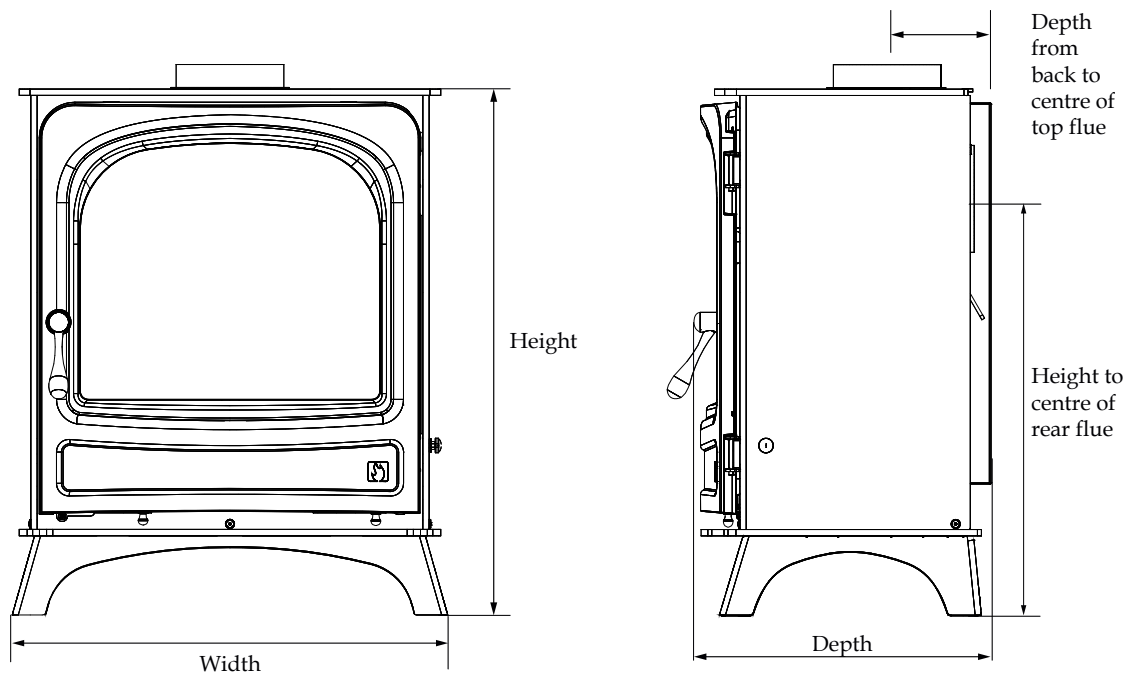
Holborn 5



Stylish and easy to use

Optional Extras: Multi fuel kit / Rear heat shield / Direct air adaptor

Holborn 5



Dimensions

| | |
|---------------------------------------|---------------|
| Width | 485 mm |
| Height | 650 mm |
| Depth | 388 mm |
| Flue Diameter | 127 mm |
| Depth from back to centre of top flue | 134 mm |
| Height to centre of rear flue | 512 mm |
| Ideal log length / diameter | 300mm / 100mm |

Features

| | |
|--|--------------|
| Stove body type | Freestanding |
| Ecodesign Ready | Yes |
| Suitable for smoke control areas | Yes |
| Suitable for direct air connection | Yes |
| Suitable for non-combustible 12mm hearth | Yes |
| Weight gross (packed kg) | 81.5 Kg |
| Weight nett (unpacked kg) | 76.5 Kg |

Performance

| | Wood Fuel | Solid Fuel |
|--|--------------------------|-----------------------|
| Energy Efficiency Class | A | D |
| Nett Efficiency | 79.8 % | 82.3 % |
| Nominal Output | 4.9 kW | 4.9 kW |
| Mean Co Emission (@13% O ₂) | 0.11 % | 0.1 % |
| DIN+ particulate | 27 Nmg/m ³ | 10 Nmg/m ³ |
| Mean NO _x Emission (@13% O ₂) | 95 Nmg/m ³ | 94 Nmg/m ³ |
| Mean OGC Emission (@13% O ₂) | 86 Nmg/m ³ | 26 Nmg/m ³ |
| Flue Gas Mass Flow | 4.7 g/s | 3.5 g/s |
| Flue Gas Temperature | 255 °C | 254°C |
| Typical Fuel load for nominal rated output per hour (kWh/Kg) | 1.17 (Seasoned hardwood) | 0.69 (MSF Maxibrite) |

Note: Solid fuel figures achieved with optional solid fuel kit installed

Direct air spigot location

(when viewing the rear side of the stove)

| | |
|---|--------|
| Distance from right hand side to centre | 219 mm |
| Distance from floor to centre | 106 mm |

Minimum distance to combustibles

| | A | B | C |
|------------------|--------|--------|--------|
| Rear | 700 mm | 350 mm | 75 mm |
| Side | 550 mm | 525 mm | 500 mm |
| Max hearth temp. | 51 °C | 52 °C | 51 °C |

A = Single Walled Flue, without Rear Heat Shield fitted

B = Single Walled Flue, with Rear Heat Shield fitted

C = Twin Walled Flue, with Rear Heat Shield fitted

We recommend this appliance is installed with clearance of 100mm to non-combustible materials
Installation and operating instructions for this stove are available online at www.aradastoves.com.

Holborn 5 Widescreen



Holborn 5 shown

Inspired by traditional stove design, the Holborn wears its influences with pride. Its protruding ash lip and flared feet grace the stove with the hallmarks of traditional stove design.

Whilst bearing classical design elements outside, internally no sacrifices have been made to meet today's demands for low emissions and greater fuel efficiency, this 4.9 kW output model is an extremely efficient Ecodesign Ready stove at heart.

Features

- Surpasses Ecodesign standards for burning wood log fuel
- Approved for use in Smoke Control Areas
- Direct air compatible
- Lifetime guarantee
- Stainless steel ash pan and throat plate
- Top or rear 127mm flue outlet
- Non-smoker paint, available in seven colours
- Externally controlled riddling grate
- Optional rear heat shield for siting stove closer to non-combustible material
- Height adjusting feet as standard

Dimensions

| | |
|------------------|--------|
| Width | 550 mm |
| Height | 665 mm |
| Depth | 388 mm |
| Ideal log length | 375 mm |



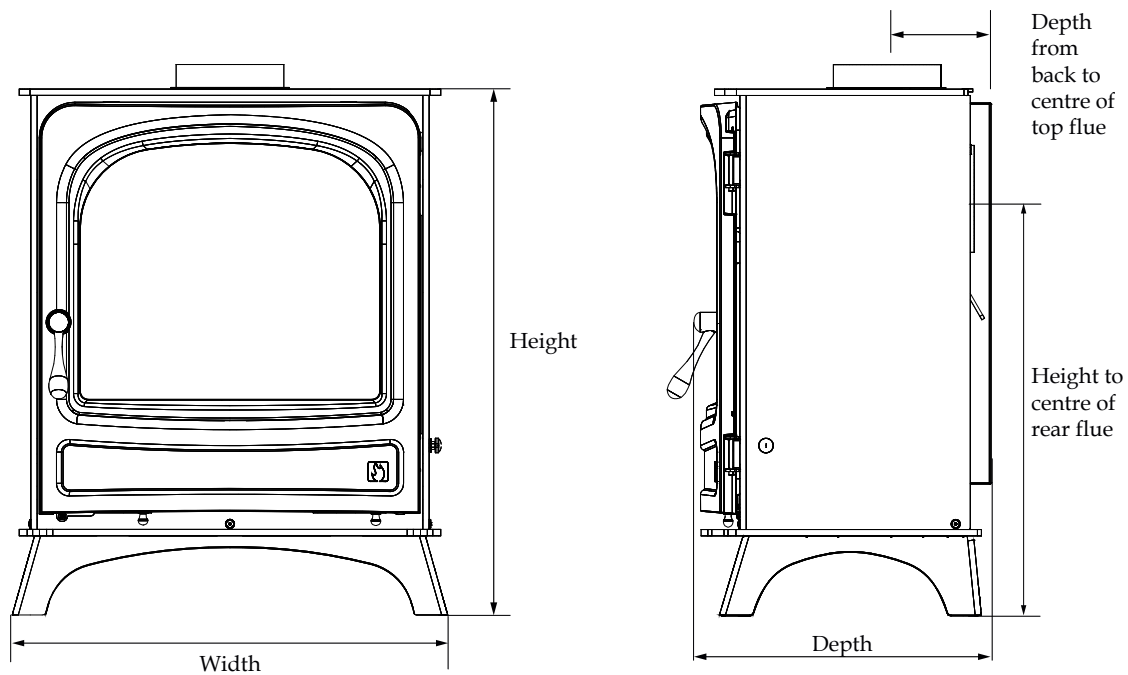
Holborn 5 Widescreen



Stylish and easy to use

Optional Extras: Multi fuel kit / Rear heat shield / Direct air adaptor

Holborn 5 Widescreen



Dimensions

| | |
|---------------------------------------|---------------|
| Width | 550 mm |
| Height | 665 mm |
| Depth | 388 mm |
| Flue Diameter | 127 mm |
| Depth from back to centre of top flue | 134 mm |
| Height to centre of rear flue | 526 mm |
| Ideal log length / diameter | 375mm / 100mm |

Features

| | |
|--|--------------|
| Stove body type | Freestanding |
| Ecodesign Ready | Yes |
| Suitable for smoke control areas | Yes |
| Suitable for direct air connection | Yes |
| Suitable for non-combustible 12mm hearth | Yes |
| Weight gross (packed kg) | 93 Kg |
| Weight nett (unpacked kg) | 88 Kg |

Performance

| | Wood Fuel | Solid Fuel |
|--|--------------------------|------------------------|
| Energy Efficiency Class | A | D |
| Nett Efficiency | 81.3 % | 79.3 % |
| Nominal Output | 4.9 kW | 4.9 kW |
| Mean Co Emission (@13% O ₂) | 0.1 % | 0.09 % |
| DIN+ particulate | 22 Nmg/m ³ | 9 Nmg/m ³ |
| Mean NO _x Emission (@13% O ₂) | 82 Nmg/m ³ | 102 Nmg/m ³ |
| Mean OGC Emission (@13% O ₂) | 68 Nmg/m ³ | 19 Nmg/m ³ |
| Flue Gas Mass Flow | 4.1 g/s | 4.2 g/s |
| Flue Gas Temperature | 257 °C | 281 °C |
| Typical Fuel load for nominal rated output per hour (kWh/Kg) | 1.15 (Seasoned hardwood) | 0.73 (MSF Maxibrite) |

Note: Solid fuel figures achieved with optional solid fuel kit installed

Direct air spigot location

(when viewing the rear side of the stove)

| | |
|-------------------------------|----------|
| Lateral position | Centre |
| Distance from floor to centre | 123.5 mm |

Minimum distance to combustibles

| | A | B | C |
|------------------|---------|---------|---------|
| Rear | 650 mm | 300 mm | 50 mm |
| Side | 450 mm | 450 mm | 250 mm |
| Max hearth temp. | 86.2 °C | 43.4 °C | 51.1 °C |

A = Single Walled Flue, without Rear Heat Shield fitted

B = Single Walled Flue, with Rear Heat Shield fitted

C = Twin Walled Flue, with Rear Heat Shield fitted

We recommend this appliance is installed with clearance of 100mm to non-combustible materials
Installation and operating instructions for this stove are available online at www.aradastoves.com.



Holborn 5 shown

Inspired by traditional stove design, the Holborn wears its influences with pride. Its protruding ash lip and flared feet grace the stove with the hallmarks of traditional stove design.

Whilst bearing classical design elements outside, internally no sacrifices have been made to meet today's demands for low emissions and greater fuel efficiency, this 7 kW model is an extremely efficient Ecodesign Ready stove at heart.

Features

- Surpasses Ecodesign standards for burning wood log fuel
- Approved for use in Smoke Control Areas
- Direct air compatible
- Lifetime guarantee
- Stainless steel ash pan and throat plate
- Top or rear 127mm flue outlet
- Non-smoker paint, available in seven colours
- Externally controlled riddling grate
- Optional rear heat shield for siting stove closer to non-combustible material
- Height adjusting feet as standard

Dimensions

| | |
|------------------|--------|
| Width | 550 mm |
| Height | 665 mm |
| Depth | 388 mm |
| Ideal log length | 375 mm |



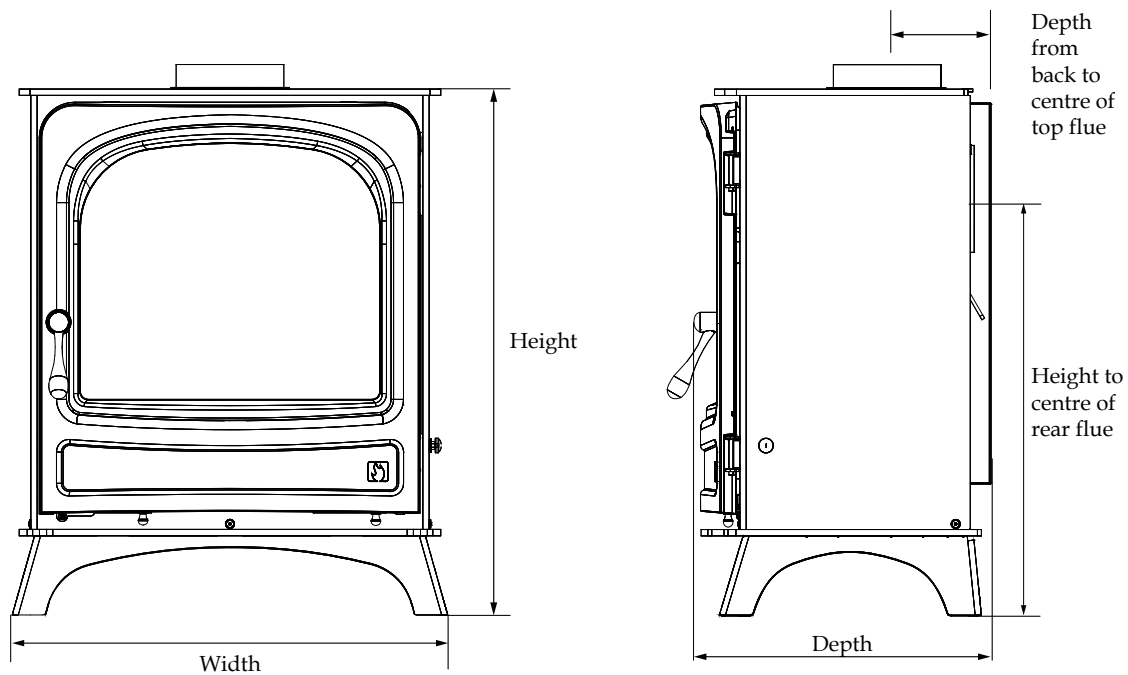
Holborn 7



Stylish and easy to use

Optional Extras: Multi fuel kit / Rear heat shield / Direct air adaptor

Holborn 7



Dimensions

| | |
|---------------------------------------|---------------|
| Width | 550 mm |
| Height | 665 mm |
| Depth | 388 mm |
| Flue Diameter | 127 mm |
| Depth from back to centre of top flue | 134 mm |
| Height to centre of rear flue | 526 mm |
| Ideal log length / diameter | 375mm / 100mm |

Features

| | |
|--|--------------|
| Stove body type | Freestanding |
| Ecodesign Ready | Yes |
| Suitable for smoke control areas | Yes |
| Suitable for direct air connection | Yes |
| Suitable for non-combustible 12mm hearth | Yes |
| Weight gross (packed kg) | 92 Kg |
| Weight nett (unpacked kg) | 87 Kg |

Performance

| | Wood Fuel | Solid Fuel |
|--|--------------------------|----------------------|
| Energy Efficiency Class | A | D |
| Nett Efficiency | 78.2 % | 81.2 % |
| Nominal Output | 7 kW | 7.1 kW |
| Mean Co Emission (@13% O2) | 0.09 % | 0.11 % |
| DIN+ particulate | 38 Nmg/m3 | 10 Nmg/m3 |
| Mean NOx Emission (@13% O2) | 102 Nmg/m3 | 116 Nmg/m3 |
| Mean OGC Emission (@13% O2) | 72 Nmg/m3 | 39 Nmg/m3 |
| Flue Gas Mass Flow | 5.6 g/s | 5.6 g/s |
| Flue Gas Temperature | 310 °C | 271 °C |
| Typical Fuel load for nominal rated output per hour (kWh/Kg) | 1.55 (Seasoned hardwood) | 1.01 (MSF Maxibrite) |

Note: Solid fuel figures achieved with optional solid fuel kit installed

Direct air spigot location

(when viewing the rear side of the stove)

| | |
|-------------------------------|----------|
| Lateral position | Centre |
| Distance from floor to centre | 123.5 mm |

Minimum distance to combustibles

| | A | B | C |
|------------------|--------|---------|---------|
| Rear | 650 mm | 350 mm | 100 mm |
| Side | 600 mm | 600 mm | 500 mm |
| Max hearth temp. | 95 °C | 91.9 °C | 71.1 °C |

A = Single Walled Flue, without Rear Heat Shield fitted

B = Single Walled Flue, with Rear Heat Shield fitted

C = Twin Walled Flue, with Rear Heat Shield fitted

We recommend this appliance is installed with clearance of 100mm to non-combustible materials
Installation and operating instructions for this stove are available online at www.aradastoves.com.