



ELLESMERE WIDE

ELLESMERE STANDARD

LUDLOW WIDE

LUDLOW STANDARD

Electric Stove Models

Manual or Wi-Fi App Controlled

Installation & Operating Manual

INSTALLER: LEAVE THIS MANUAL WITH THE APPLIANCE.

CUSTOMER: PLEASE RETAIN THIS MANUAL FOR FUTURE REFERENCE.

For use in GB & IE (United Kingdom and Ireland)

PURCHASE & INSTALLATION INFORMATION

Please complete the following form for reference when required:

Ref.	Description	Please Complete
1	Which retailer did you purchase the stove from?	Name & Address of Retailer:
2	What date did you purchase your new stove?	Purchase Date:
3	What was the name of the person who installed your stove?	Full Name: Contact Number:
5	What is the serial Number of your stove? <i>This can be found inside the front door above the bottom hinge</i>	Serial Number:
6	What date was your stove installed?	Installation Date:
7.	The AGA Model	Circle which model you purchased: <ul style="list-style-type: none"> • Ludlow Standard • Ludlow Wide • Ellesmere Standard • Ellesmere Wide

Technical Data Summary:

Reference	Description	Data
1	Maximum Heat Output	1.9 kW - (Equivalent to approx. 6,500 BTU's)
2	Minimum Heat Output	950 Watts
3	Flame Only Effect - LED Lights	25 watts Maximum- (Power Consumption)
4	Fuse Size inside 3 Pin Plug	10 Amp Rating



**HEAVY
FRAGILE**

WARNING THIS PRODUCT IS HEAVY - OVER 25 KGS

REQUIRES 2 PEOPLE TO LIFT THIS STOVE

CONTAINS GLASS - ONLY STAND UPRIGHT

TABLE OF CONTENTS

Please read and carefully follow all of the instructions found in this manual. Please pay special attention to the safety instructions provided in this manual. The instructions included here will assure that you have many years of dependable and enjoyable service from your AGA Electric Stove.

PURCHASE & INSTALLATION INFORMATION
IMPORTANT INSTRUCTIONS
THE DO'S & DON'Ts
STOVE DIMENSIONS – STANDARD AND WIDE MODELS
INSTALLATION ONTO A NON-COMBUSTIBLE HEARTH
UNPACKING AND TESTING APPLIANCE
WHAT COMES WITH THE STOVE
FITTING THE REAR WALL FIXING BRACKET
SETTING UP THE LOG SET & MEDIA
LOG SET - SAMPLE LAYOUT
OPERATING YOUR STOVE – MANUALLY
SETTING UP & OPERATING YOUR STOVE WITH YOUR SMART PHONE
STOVE RESET SEQUENCE
CARE AND MAINTENANCE
EXPLODED VIEW & PARTS LISTS
TROUBLE SHOOTING
SERVICE HISTORY
WARRANTY



**SAFETY
INFORMATION**

SAFETY INFORMATION



WARNING

If the information in these instructions is not followed exactly, a fire or explosion may result causing property damage, personal injury or loss of life.

Do not store or use Petrol or any other flammable vapors and liquids in the vicinity of this or any other

IMPORTANT INSTRUCTIONS

Read all instructions before installing or using this heater.

1. **DO NOT COVER THIS STOVE IN ANY WAY WHAT SO EVER**
2. **THIS STOVE MUST BE FITTED ONTO A NON COMBUSTIBLE HEARTH, WHICH EXTENDS 225MM PAST THE FRONT OF THE STOVE &100MM TO THE REAR.**
3. **DO NOT BLOCK THE COOL AIR INLET AT THE REAR OR THE HOT AIR OUTLET AT THE FRONT**
4. **ENSURE NO FOREIGN BODIES BLOCK THE COOL AIR INLET AT THE REAR OR THE HOT AIR OUTLET AT THE FRONT OF THIS STOVE (SUCH AS PET HAIRS CARPET FLUFF ETC) REGULARLY CLEAN ANY DUST, FIBRES OR DEBRIS FROM THESE VENTS AT THE FRONT AND BACK OF THE STOVE**
5. Keep combustible materials, such as furniture, pillows, bedding, papers, clothes and curtains at least 1000mm (39 inches) from the front, sides and rear of the heater.
6. Ensure the rear mounting bracket is fitted before opening the door, otherwise the stove could tip forward
7. Always unplug (3 pin plug) heater when not in use.
8. Do not operate the fireplace if it has a damaged cord or plug, after it has malfunctioned, or if the unit has been dropped or damaged in any way.
9. Do not use the heater outdoors.
10. Do not run the cord under carpeting. Do not cover the cord with throw rugs, runners or anything else. Arrange the cord away from traffic areas where it could cause a tripping hazard.
11. To disconnect the heater, turn the controls to "OFF" before removing the plug from the outlet.
12. Do not insert or allow foreign objects to enter any ventilation or exhaust opening, as this may cause an electric shock, fire or damage to the heater.
13. **To prevent a possible fire, do not block air intakes in any way.**
14. A heater has hot and arcing or sparking parts inside. Do not use it in areas where petrol/gasoline, paint or flammable liquids are used or stored.
15. Use this heater only as described in this manual. Any other use not recommended by the manufacturer may cause fire, electric shock or injury.
16. Avoid the use of an extension cord, the extension cord could overheat and cause a fire. This heater is not to be used with an extension cord.
17. Always use properly grounded fused and polarized outlets.
18. Always use ground fault protection where it is required by electrical codes.
19. Always disconnect the power before performing any cleaning, maintenance or relocation of the heater.
20. To prevent a possible fire, do not burn wood or other materials in this heater.
21. To prevent electric shock or fire, always use a certified electrician, should new circuits or outlets be required.
22. When transporting or storing the heater, keep it in a dry place, free from excessive vibration.
23. This appliance should not be modified under any circumstances.
24. Packaging material should be kept away from children and be disposed of in a safe manner. Plastic bags are not toys and should be kept away from children and infants.

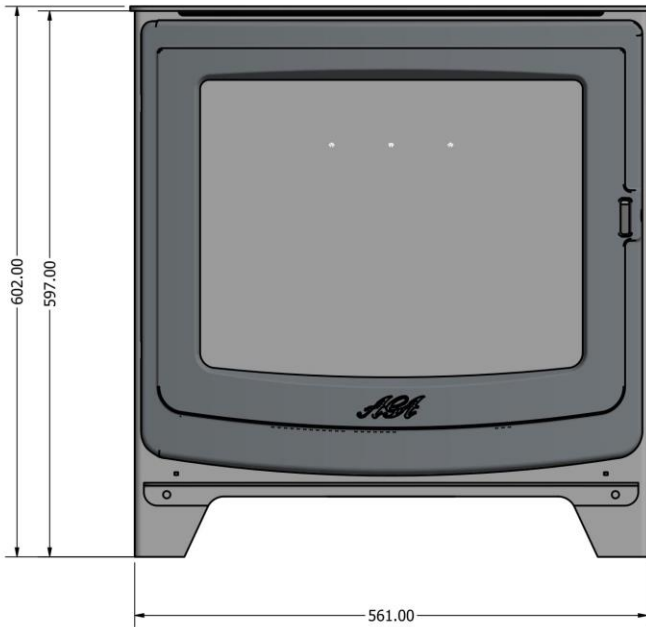
25. Do not use this heater in small rooms when they are occupied by persons not capable of leaving the room on their own, unless constant supervision is provided.
26. If the glass is damaged, do not use the heater in order to avoid a hazard.
27. Do not leave children unsupervised when heater is turned on.
28. **CAUTION** Some parts of this product can become very hot and cause burns. Particular attention has to be given where children and vulnerable people are present.
29. This appliance can be used by children aged from 8 years and above and persons with reduced physical, sensory or mental capabilities or lack of experience and knowledge if they have been given supervision or instruction concerning use of the appliance in a safe way and understand the hazards involved. Children should not play with the appliance. Cleaning and user maintenance shall not be made by children without supervision.

The DO's & DON'Ts

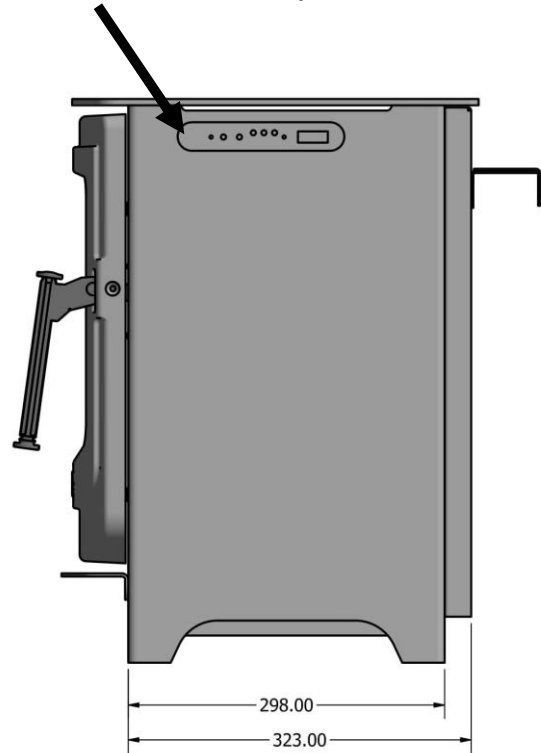
DO's	DO INSTALL THIS STOVE ONTO A NON COMBUSTIBLE HEARTH, WHICH EXTENDS 225MM PAST THE FRONT OF THE STOVE.
	<ul style="list-style-type: none"> • CLEAN THE INLET & OUTLET VENTS REGULARLY AT LEAST ONCE A WEEK DEPENDING ON OPERATING CONDITIONS TO REMOVE ANY DUST, FIBRES OR DEBRIS (SUCH AS PET HAIRS & CARPET FLUFF ETC) • Always install the heater in accordance with this guide. If in doubt obtain expert advice • Always make sure the electrical socket is accessible and located adjacent to, but not above the heater. • Always disconnect the heater from the electrical supply before moving it, or carrying out cleaning, maintenance. • Always make sure the heater is firmly secured to prevent it from being tipped over, using the rear fixing bracket • Always use a fireguard when young children and infirm persons can come into contact with the heater.
DON'Ts	• NEVER COVER THIS STOVE IN ANY WAY WHAT SO EVER
DON'Ts	• NEVER BLOCK THE COOL AIR INLET AT THE REAR OR THE HOT AIR OUTLET AT THE FRONT
DON'Ts	• NEVER ALLOW FOREIGN OBJECTS TO BLOCK THE COOL AIR INLET AT THE REAR OR THE HOT AIR OUTLET AT THE FRONT OF THIS STOVE (SUCH AS PET HAIRS & CARPET FLUFF ETC)
DON'Ts	<ul style="list-style-type: none"> • Never leave children unsupervised in a room where the heater is ON and unguarded. • Never obstruct or cover the fan outlet or force items into heater openings. • Never install or use the heater anywhere where water is in use, i.e. Bathroom, Kitchens, Shower Rooms, Swimming Pool etc. • Never use aerosols or steam cleaners on or around the heater. • Never route the mains supply cable under carpet etc. • Never install the heater close to curtains or combustible materials. • Never use the heater to dry clothes etc. • Never sit or stand on the heater. • Never use with a timer or any other device that switches the fire on automatically.

STOVE OVERALL DIMENSIONS – ELLESMERE & LUDLOW WIDE MODELS

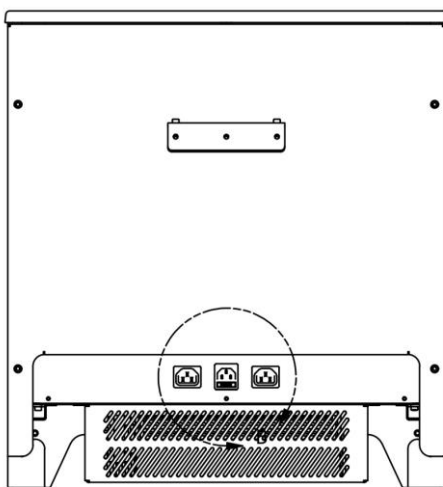
Manual Controls and the ON/OFF Switch



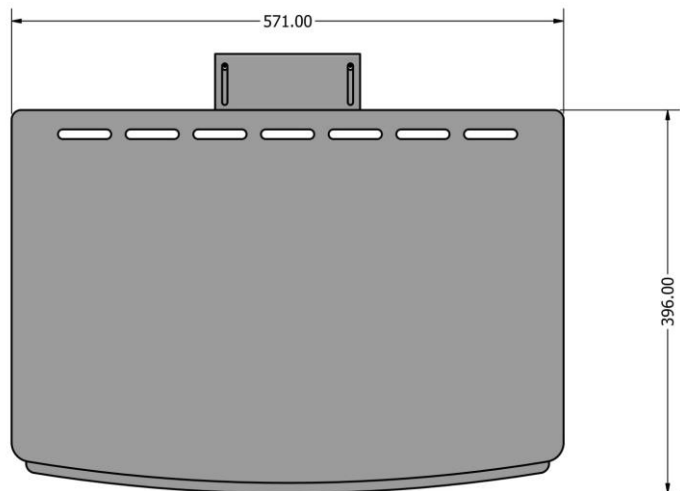
Front View



Right Hand Side View



Rear View



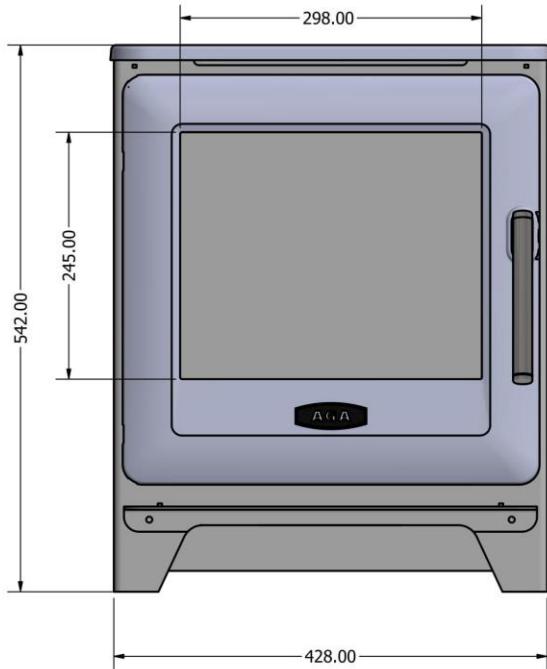
Top View

Drawings are Not to Scale – all sizes are approximate - Ellesmere Model Shown

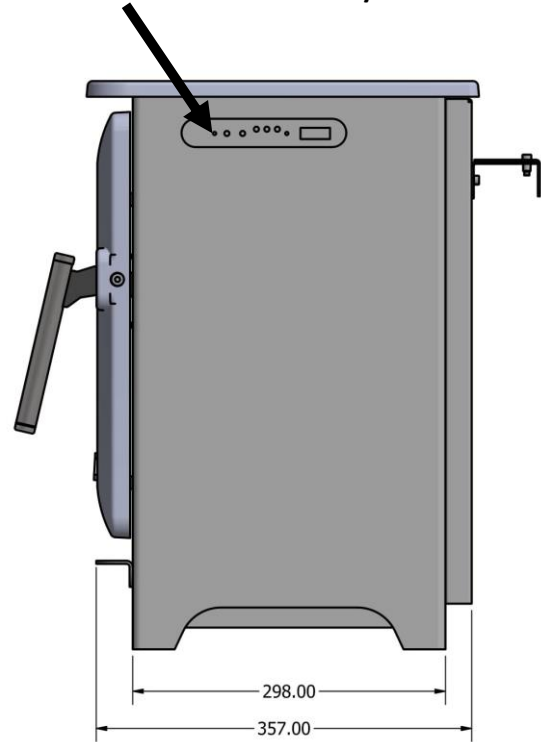
STOVE OVERALL DIMENSIONS –

ELLESMERE & LUDLOW STANDARD MODELS

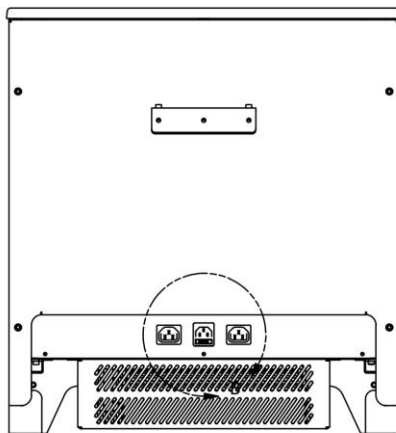
Manual Controls and the ON/OFF Switch



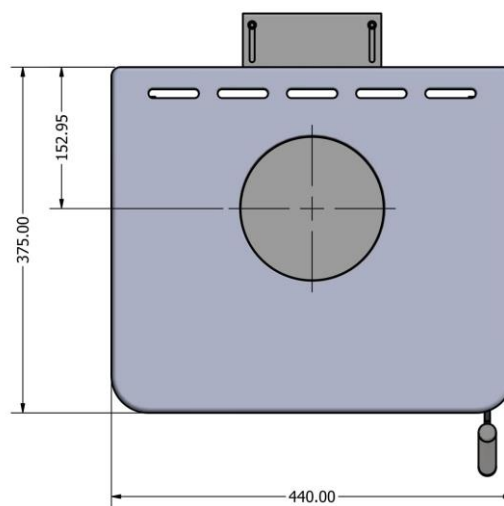
Front View



Right Hand Side View



Rear View



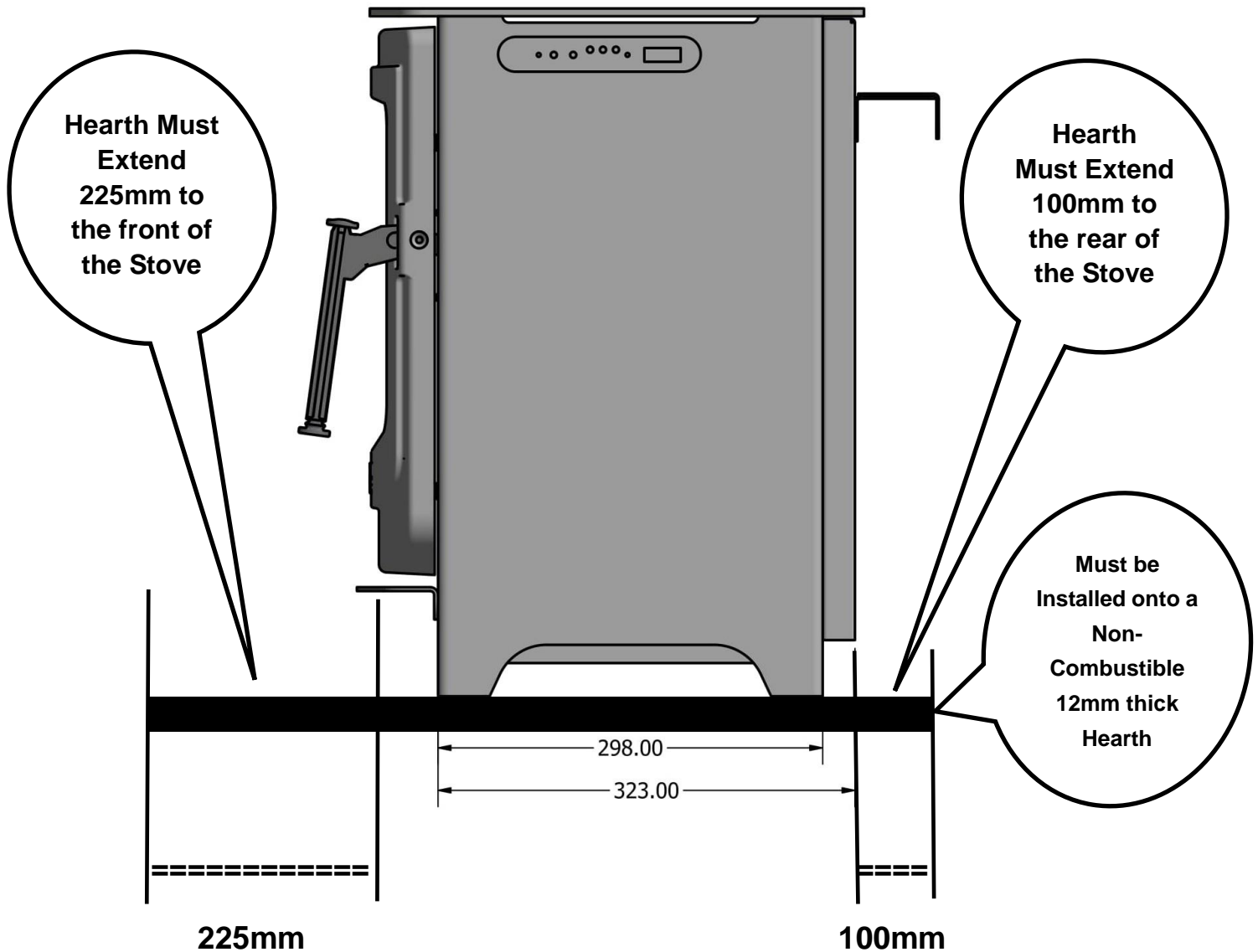
Top View

Drawings are Not to Scale – all sizes are approximate – Ludlow Model Shown

INSTALLATION MUST BE ONTO A NON-COMBUSTIBLE HEARTH

(Hearth is shown as thick Black Line below)

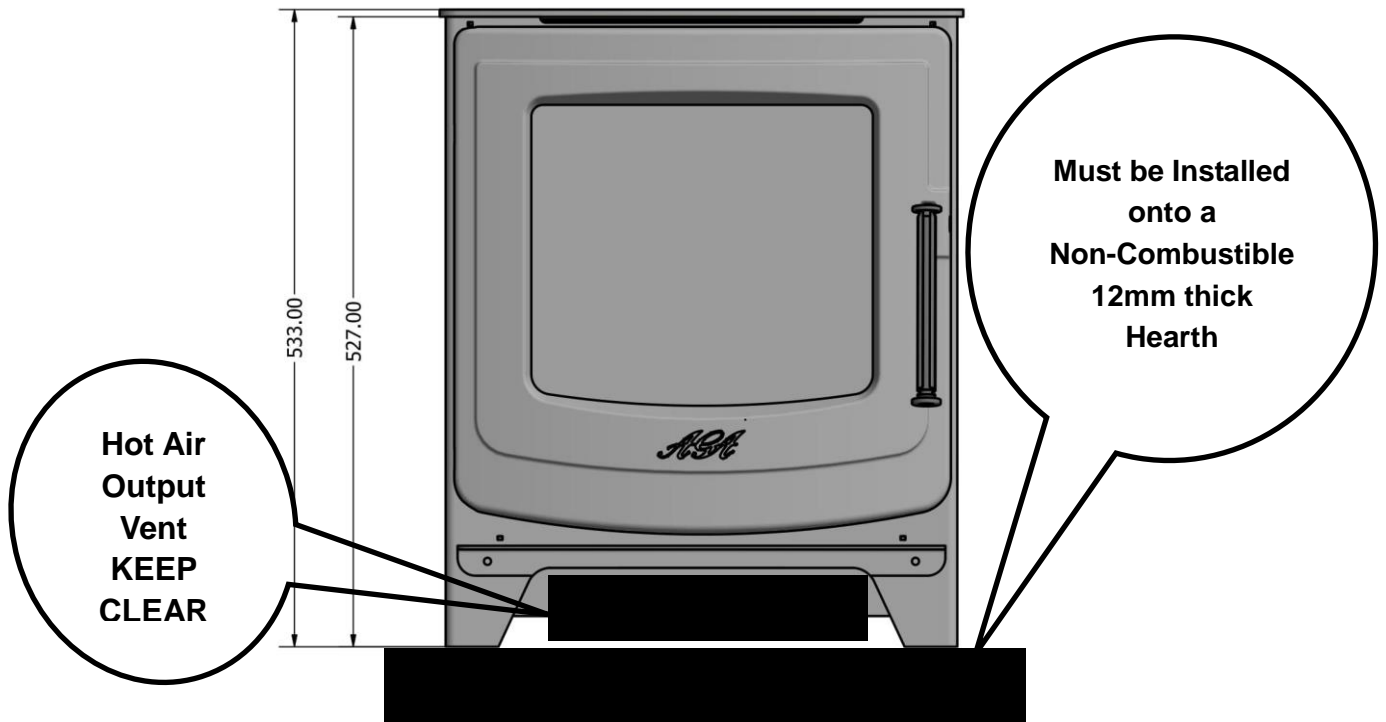
Drawing Not to Scale



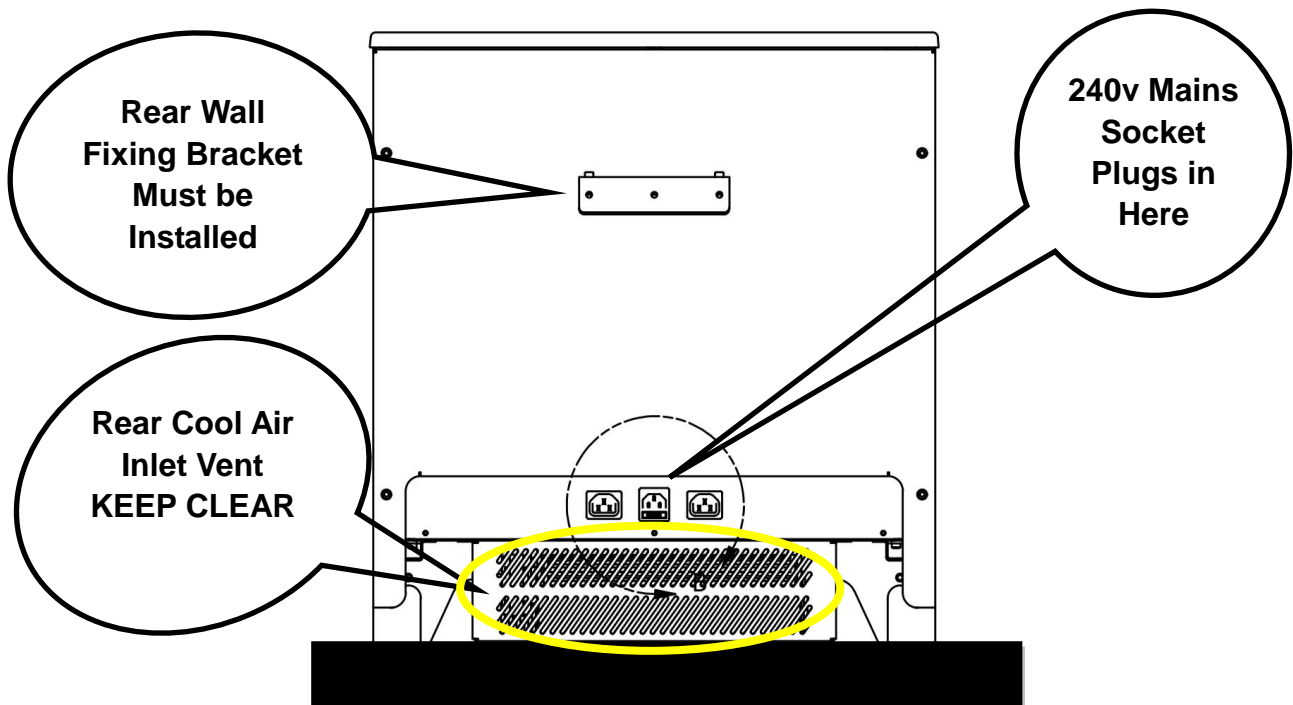
This stove must be fitted on to a Non Combustible Hearth with a minimum thickness of 12mm, which extends:

- 225mm from the front of the door of the stove
- Minimum of 100mm from the rear of the stove
- Minimum of 75mm either side of the stove

DO NOT COVER THIS STOVE – this will void the warranty



Above Front View - Hot Air Output Grill must be kept clear– shown in white box above



Rear View - Cool Air Intake Grill shown at the bottom in yellow box, this must be kept clear of any foreign objects such as Pet Hairs and Carpet Fluff, this must be regularly cleaned so the vents are clear of foreign objects, such as dust, debris and fibres.

UNPACKING AND TESTING APPLIANCE

Carefully remove the appliance from the box.

Prior to installing the appliance, test to make sure the appliance operates properly by plugging the power supply cord in the socket on the back of the stove and then directly into a 240 Volt wall socket (not an extension lead or a multi-plug in a wall socket)

Test all aspects of its operation (manual switches, remote and heater) to make sure all components are operating correctly.

As with most electronic devices, your new electric stove has been designed to operate at temperatures between 5°C (41°F) and 35°C (95°F). During the cold winter months, allow the stove to reach a minimum room temperature of 5°C before turning it on.

NOTE: There may be a trace of odour during the first time you use this stove. This is caused from the paint finish curing, if the smell is strong open the windows and operate the stove on the full heat setting for 30 to 45 minutes to allow the paint to cure, children, the elderly or pets should not be allowed into the room during this period



SAFETY INFORMATION

WARNING – ELECTRIC SHOCK HAZARD

It is the customers responsibility to contact a qualified electrical installer to make sure the electrical installation is adequate and in conformance with the regulations. Take special care when cutting holes in walls or floor. Electrical wires may be behind the wall or floor covering and could cause an electrical shock if you touch them. Locate any electrical circuits that could be affected by the installation of this product and disconnect power circuit

WARNING: THIS APPLIANCE MUST BE EARTHED.

DO NOT use an extension lead with this appliance.
The appliance is designed for the voltage stated on the UKCA/CE data plate.
Recommended but not mandatory to fit an individual Residual Current Device (RCD) to the ring main supply circuit to this stove.
Please Hand this Manual to the customer/User for retention and future instructions in the safe operation of the appliance.

WHAT COMES WITH THE STOVE

- 1 - Media Pack consisting of Logs and Embers – please refer to the Media Section
- 2 – 2 metre Long Power Cord with 3 pin sealed plug fitted – 10 AMP fuse fitted
- 3 - Wall Fixing Bracket – please note this is already fitted to the rear of the stove



Item 2 – Power Code



Item 1 - Log Media Pack includes the following:

- 4 x Piece Quality Silver Birch Log set – various sizes
- Bag of Mixed Glass Chippings - Embers
- Bag of White & Silver Vermiculite Chippings



- Bag of Mixed Glass Chipping Embers
Colours - Red, Orange & Yellow

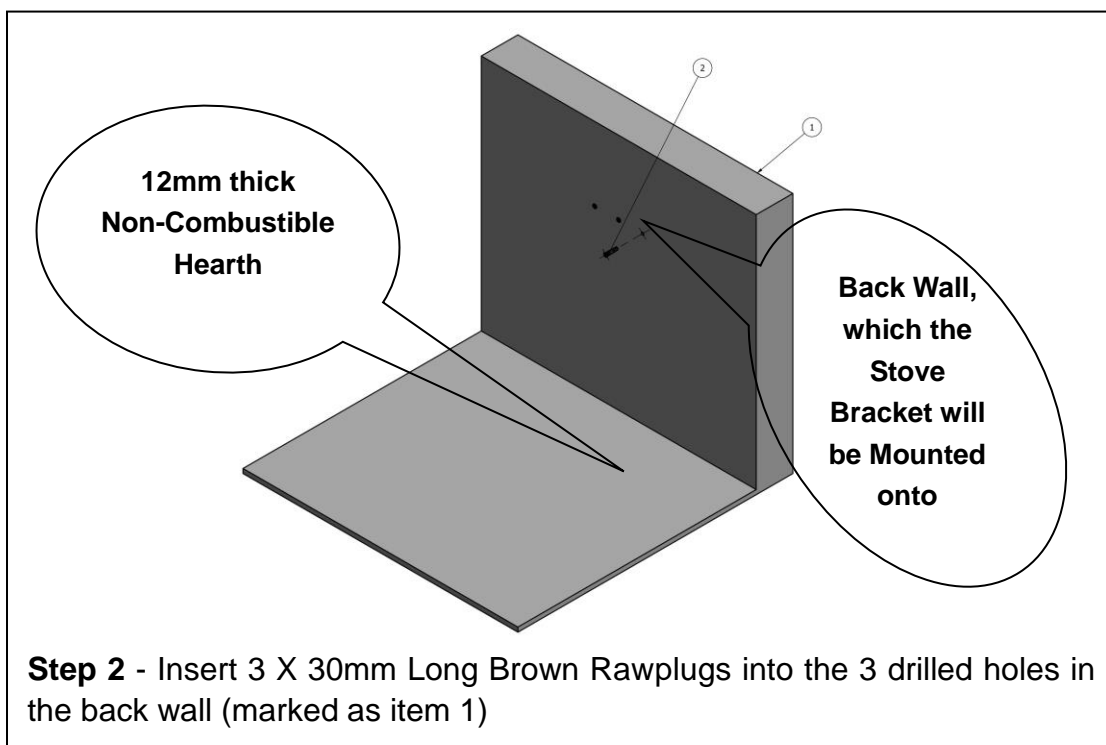
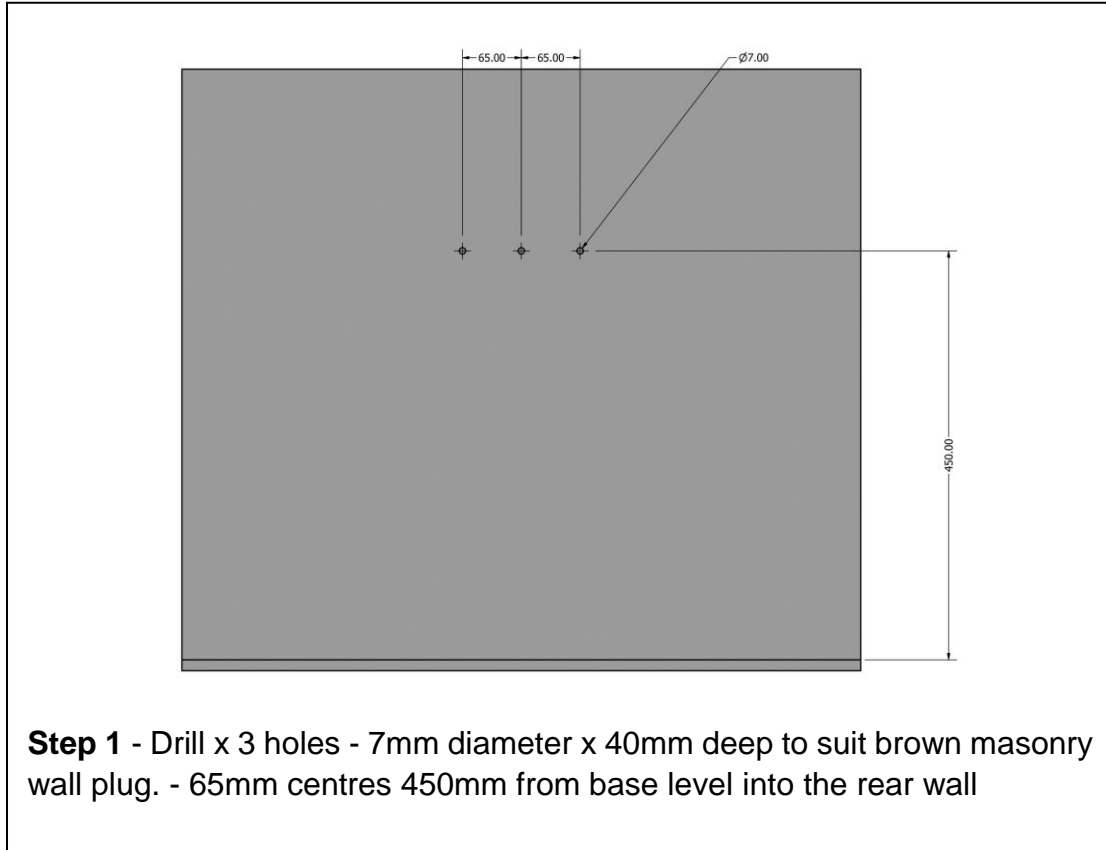


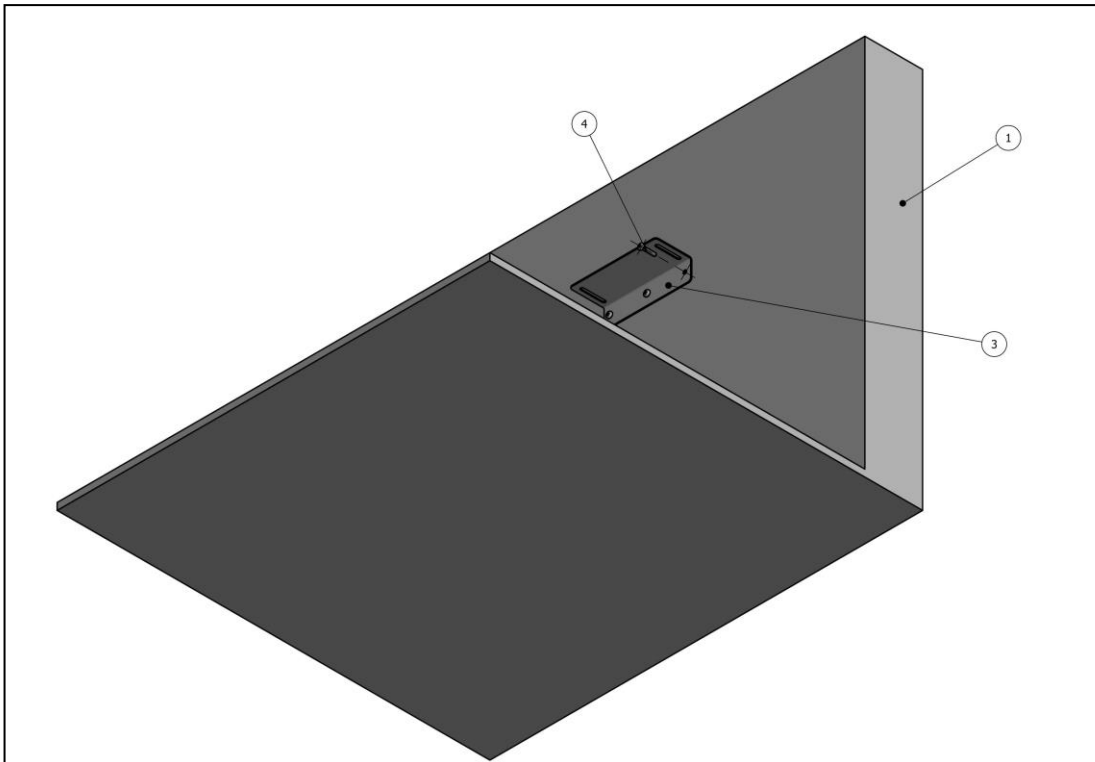
- Bag of White & Silver Vermiculite Chippings

**BE CAREFUL GLASS CHIPPING CAN HAVE SHARP EDGES
PLEASE WEAR GLOVES WHEN HANDLING THESE CHIPPINGS**

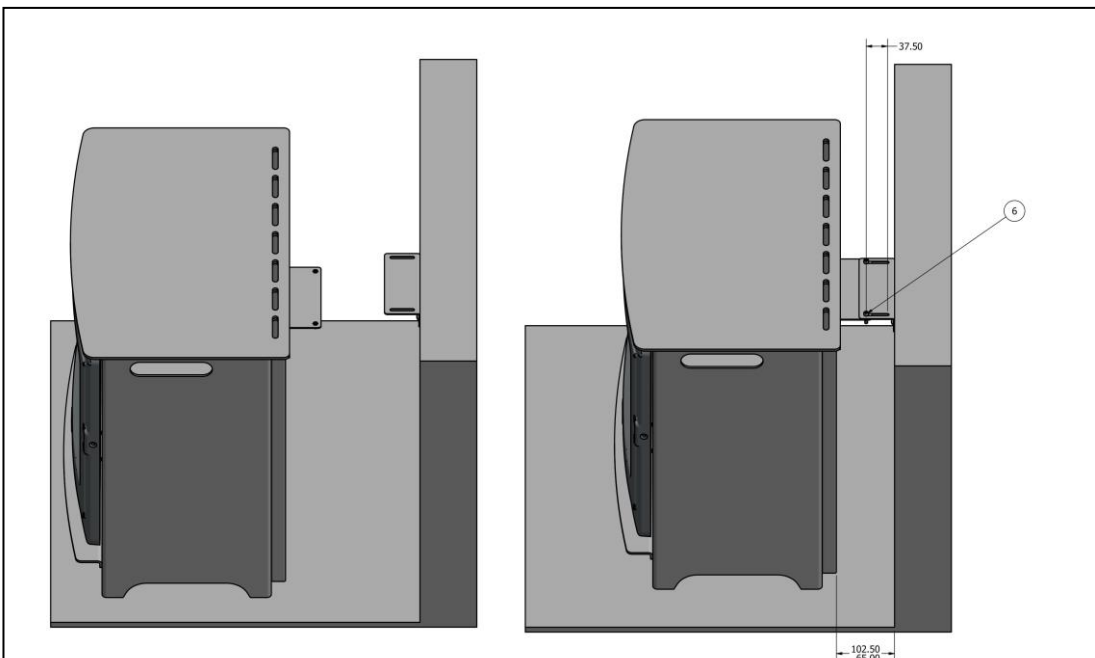
FITTING THE REAR WALL FIXING BRACKET – ALL MODELS

This bracket must be fitted to the rear of the stove to ensure that the stove will not tip forward when the stove door is opened

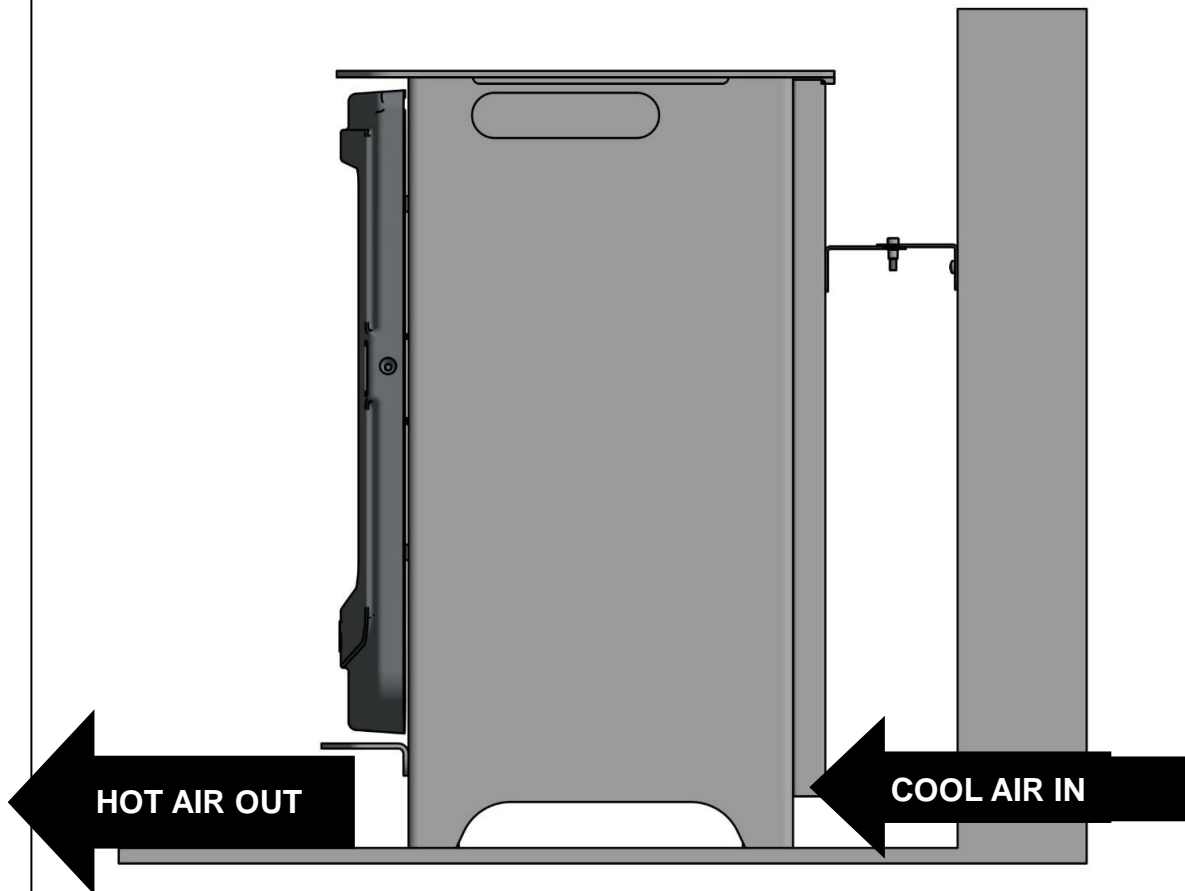




Step 3 - Fix wall bracket (item 3) with 3 x no. M5 x 25mm long posi drive screws (item 4) as shown Note orientation of the bracket



Step 4 - Offer up the fire to the wall bracket so the two brackets align fit the 2x no. M5 x 20mm long cap screw supplied into bracket adjust distance to wall to suit (max 102.5mm, min 65mm) tighten screws



Congratulations the rear fixing bracket is now complete and the stove is securely fixed to the rear wall. Now you can open the door without the possibility of the stove tipping forward and lay your log arrangement:

- Please note the arrows on the drawing so COOL air enters at the rear of the stove then HOT air comes out from the front of the stove below the door
- Please ensure the stove is fitted onto a non-combustible hearth as described earlier in this manual
- Please ensure there is 100 mill gap at the rear so COOL air from the room can enter into the rear of the stove without any restriction

IMPORTANT - Please make sure the front Hot Air outlet and the rear Cool Air inlet are regularly cleaned so no foreign matters such as pet hairs and carpet fluff can block these 2 vents

NEVER COVER THIS STOVE – THIS COULD CAUSE A FIRE

Now just plug in your stove using the 3 pin plug lead provided into the female plug socket at the rear of the stove. Please note the 3 pin Plug must be plugged into a wall mounted three pin socket (which is part of your 13 amp ring main) not an extension lead or a multi plug in the wall socket. *Please Note - A 10 Amp fuse is fitted into the 3 pin plug on the lead provided*

SETTING UP THE LOG SET & MEDIA

Your Stove is supplied with a 4 piece, quality Silver Birch log set that can be interlocked together for that camp fire effect, further enhanced with Coloured Glass chippings and White & Silver Vermiculite chippings, this media set fits all the standard and wide models



**Log 1 (RH Base Log 1) –
Interlocking Male Pin on top
(Inside Yellow Circle)**



**Log 2 (LH Base Log 2)
Interlocking Female Hole on inside**



**Log 3 (LH Top Log 3) –
Interlocking Male Pin (Rear Corner)**

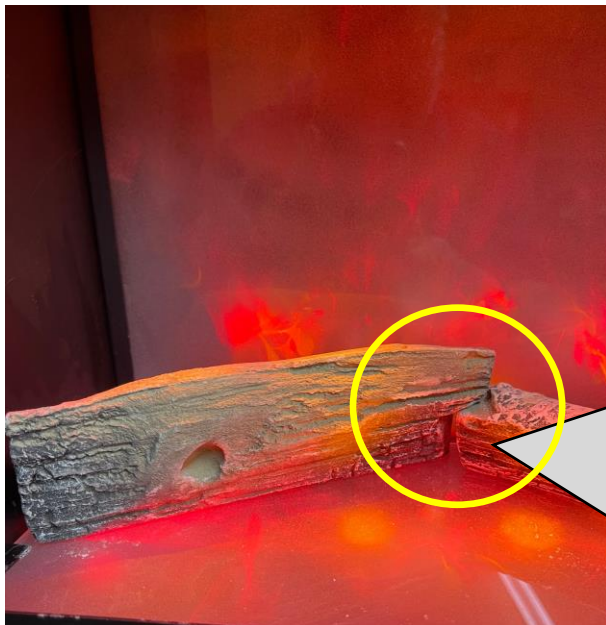
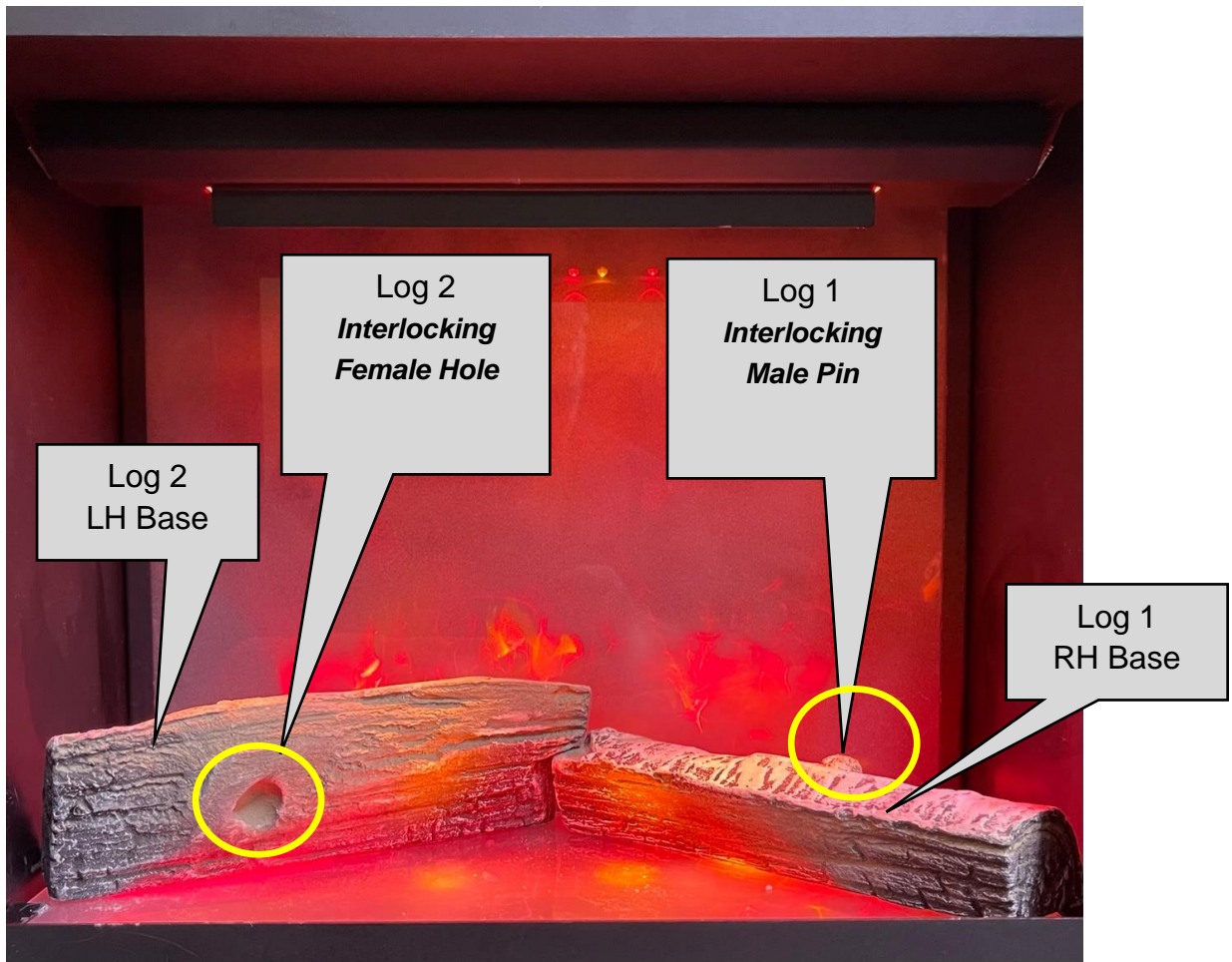
All Log drawings are not to scale



**Log 4 (RH Top Log 4)
Interlocking Female Hole (Rear Middle)**



LOG SET - SAMPLE LAYOUT



STEP 1

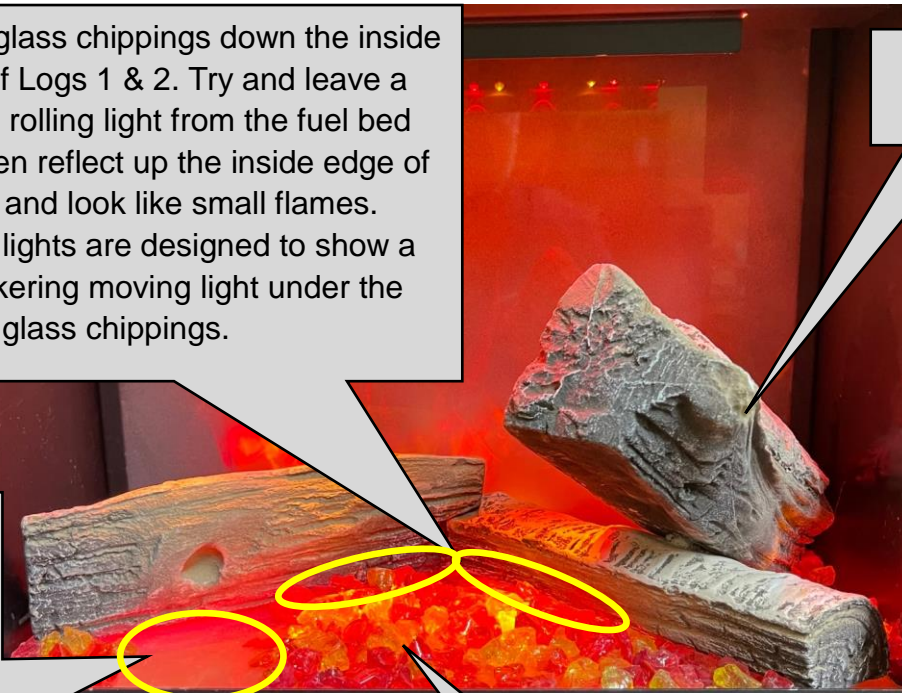
Turn on the stove in the Preset Woodburner mode, then you will have lighting in the fuel-bed, rear flame and down-lights so you will see how the lights look on the logs and glass chippings as you place the logs into the firebox. Place Logs 1 & 2 into the firebox directly on top of the frosted base glass

Place Logs 1 & 2 so they interlock over each other at the rear and open up into a “V” shape so they touch each side wall of the firebox at the ends.

When placing glass chippings down the inside base edge of Logs 1 & 2. Try and leave a small gap as rolling light from the fuel bed lighting will then reflect up the inside edge of logs 1 & 2 and look like small flames. The fuel bed lights are designed to show a rolling & flickering moving light under the glass chippings.

Log 4
RH Top

Don't put glass chipping here as Log 3 fits in the space



Log 4
RH Top

Log 1
RH Base



STEP 2
Spread the Mixed Glass Chipping Embers (Mixed Colours - Red, Orange & Yellow) over the frosted base glass
BE CAREFUL - GLASS CHIPPING CAN HAVE SHARP EDGES
PLEASE WEAR GLOVES WHEN HANDLING THESE GLASS CHIPPINGS

STEP 3
Place Log 4 over Log 1 and interlock the Male and Female locator into each other. This will then hold Log 4 in place

STEP 4

Place Log 3 into the side of Log 2 and interlock the Male and Female locator into each other.

Then Log 3 rests on the end of Log 4



The log opening here is designed so you get vision of the rear flame lights and pattern through the logs and a reflection of the logs in the rear glass



STEP 5

Just take the White & Silver Vermiculite chippings and place them where you want that extra light effect and reflection. Please note they will block some of the reflecting upward light from the fuel bed effect. But you can place them onto the logs if you wish, as you will get reflection from the down lighters onto the silver vermiculite

Alternatively you can lay the logs in what ever pattern or design you wish, there are 4 logs of various sizes (length and thickness) so just select the ones you wish to assemble into the stove and arrange them in a manner that suits you.

Also included are the White & Silver vermiculite chippings you can just sprinkle these over the top of the logs for that final log burner effect

Now just clean the door glass inside and out with a damp cloth, then close the door. The door only needs to be reopened if you wish to change the log arrangement. So for safety reasons keep the door closed

NOW SIT BACK AND ENJOY

OPERATING YOUR STOVE

Understanding the 2 Controller Toggle Switches on the Side of the Stove

APP MODE - Toggle Switch is in the APP position (Top Position)
– the stove is now controlled by the Smart phone. The stove can only be operated by your smart phone when the switch is in this UP position

STANDBY MODE
LED Light is ON - RED in colour, this means the stove is OFF but in REMOTE APP MODE

MANUAL MODE 1
Toggle Switch is in the FLAME EFFECT only position (Middle Position) mode – the stove is now in Manual Mode 1, the flame effect will be in preset Woodburner mode, but NO Heat will be on. (In this mode the sound of a burning stove will be heard)

MANUAL MODE 2
Toggle Switch is in the FLAME EFFECT & HEATER position (Bottom Position) mode – the stove is now in a manual mode 2, the flame effect will be in preset Woodburner mode, and the HEATER will be on. (In this mode the sound of a burning stove will be heard)

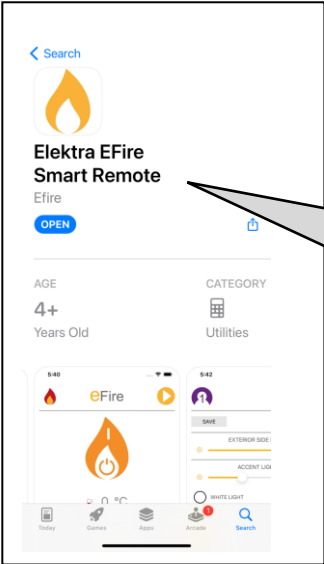
MAINS TOGGLE SWITCH
ON Position – must be in the ON to Work

MAINS TOGGLE SWITCH
OFF Position

You can operate you AGA Electric Stove in 3 ways:

- 1 – Manual Mode 1 & 2 as described above using the two Side Toggle Switches
- 2 – Full APP mode with a direct Wi Fi link from the stove to your Smart Phone (Wi-Fi router not required)
- 3 - Full APP mode with a direct link to your House hold Wi Fi network router

Setting up the APP as the Remote Control on your Smart Phone - iPhone or Android



1. Go to the Apple APP Store or Google Play Store and Download the free App onto your Smart phone

“Elektra Efire Smart Remote”

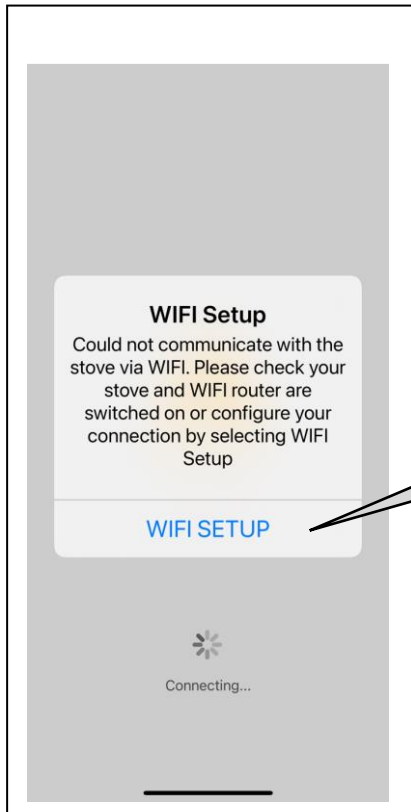
Connecting the Stove to your Smart Phone - iPhone or Android



2. Open the App on your phone, this is the HOME EASY Screen of the APP. When you open it for the first time it will want to connect to your smart phone plus you can then connect it into your household Wi-Fi (router) network

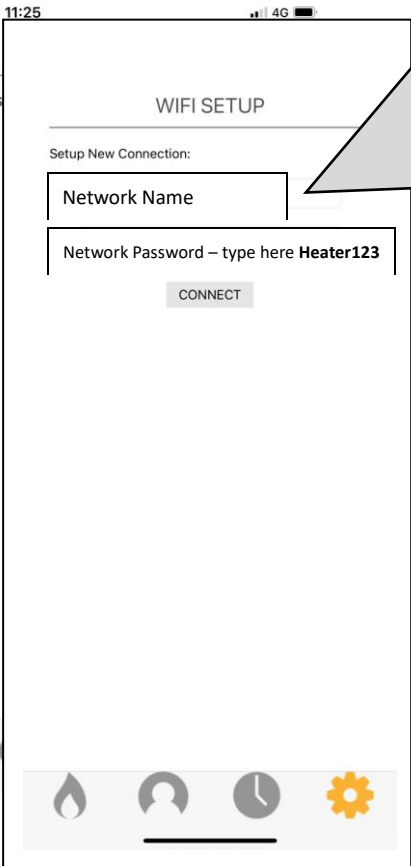
You can either use the stove in Manual Mode (“Basic/Easy Features” – as explained previously) or in the APP mode using your smart phone as the remote control which gives you all the “Enhanced Features”.

The stove is Wi-Fi controlled so you can just use it with your smart phone as a standalone connection or connect it onto your household Wi-Fi network. When connected into your household network (router) your smart phone will automatically see and communicate with the stove whenever when you are connected to your household Wi-Fi network. Please note the stove must be turned to the APP mode on the side switch of the stove to work via your smart phone (see Fig 1 page XX)



3. Press Wi-Fi Set up
Please make sure the side switch is in the APP position

4. iPhone and Android setups are slightly different
Please make sure the side switch is in the APP position on the stove



iPHONE SETUP
 From “Settings” in your iPhone under “Wi-Fi” you should see the electric stove named - “EFIREXXXXXXXXX”
Type this name exactly as it appears into the Network Name (case sensitive) The “X’s” represent numbers or letters

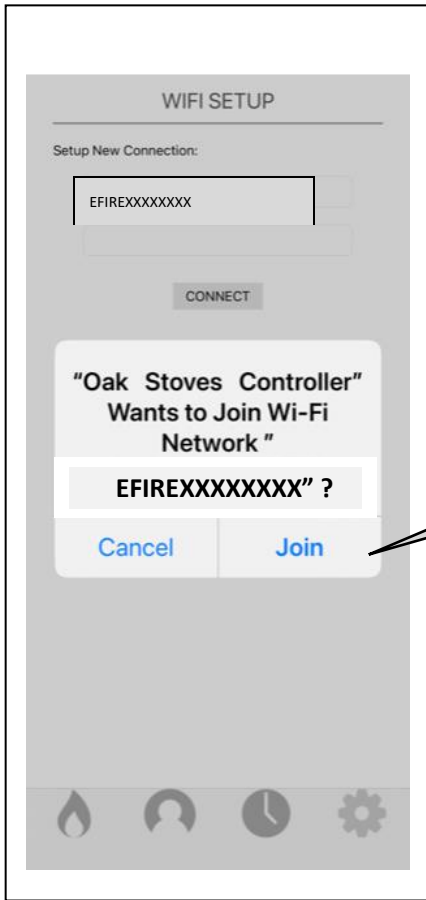
Then type in the Network Password which is “Heater123” - (case sensitive)

Then Press “CONNECT”

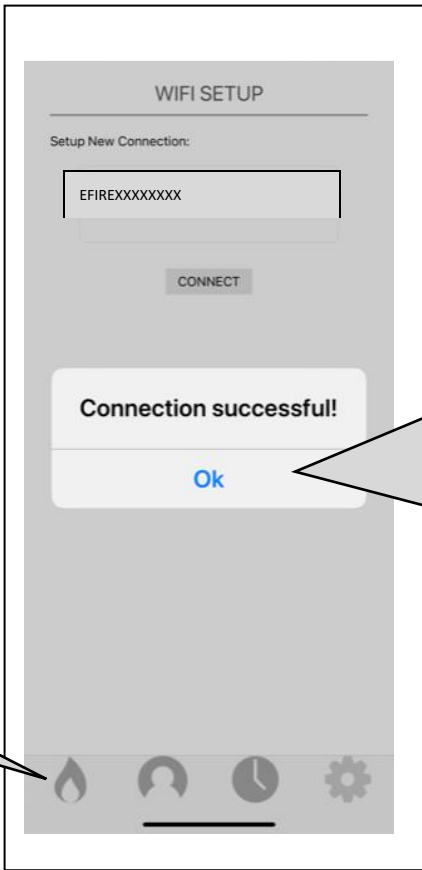
ANDROID SETUP
 Is basically the same as above however there will be drop down menu in the Network Name – select “EFIREXXXXXXXXX”

Then type in the Network Password which is “Heater123” - (case sensitive)

Then Press “CONNECT”



5. Press Join

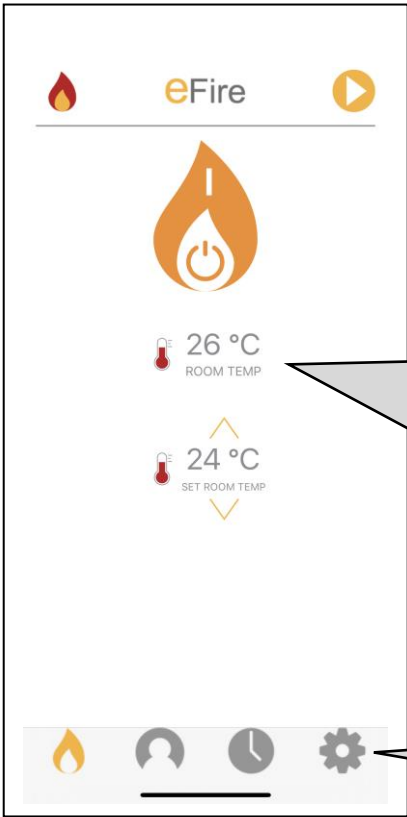


6. Press OK
Your smart phone is now just connected directly to the stove by the internal WI-FI module from within your stove but not your household WI-FI network

If you want to now connect your stove to your household WI-FI network – Go to Step 8,

7. Press the Home Button on the APP
This is the flame icon

Connecting the Stove to your Household WI-FI Network (Wireless Router)

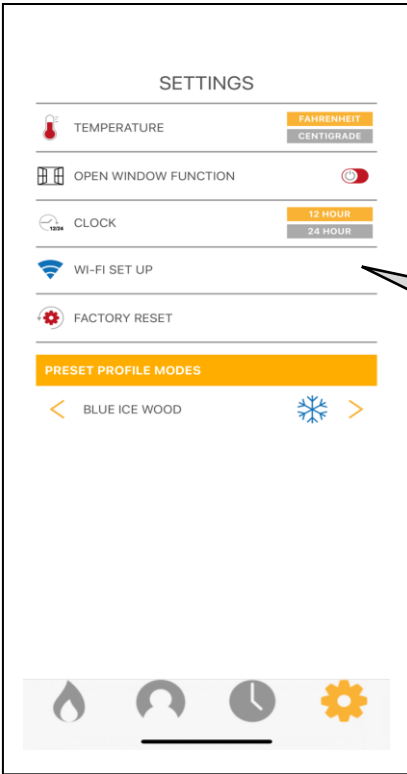


8. Open up the HOME EASY Page on the APP
*If smart phone is connected directly to the stove's internal WI-FI the **ROOM TEMP** will be displayed as in the picture here it shows 26° C*

If you want to now connect your stove to your household WI-FI network – Go to Step 9, if you just want a direct connection between you smart phone and the stove go to Step 14

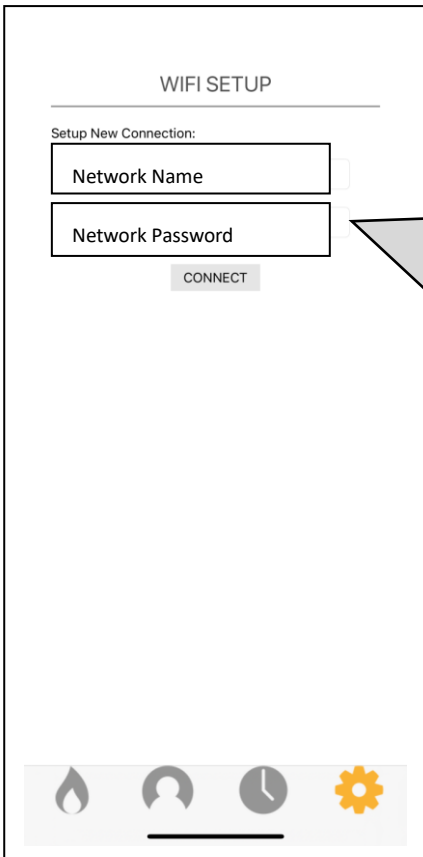
9. Press the SETTINGS Icon

Press the cogs "**SETTINGS**" icon



10. This opens the SETTINGS page

*Press the **Wi-Fi SET UP** icon*



11. iPhone and Android setups are slightly different

Please make sure the side switch is in the APP position (UP Position on the stove)

iPHONE SETUP

From “Settings” in your iPhone under “Wi-Fi” you should see your Wi-Fi router name - “BTXXXXXXXXX” (example only)

Type this name exactly as it appears into the Network Name (case sensitive) The “X’s” represent numbers or letters

Then type in your Network Password (this is what is on your router or you might have set up your own password- (case sensitive)

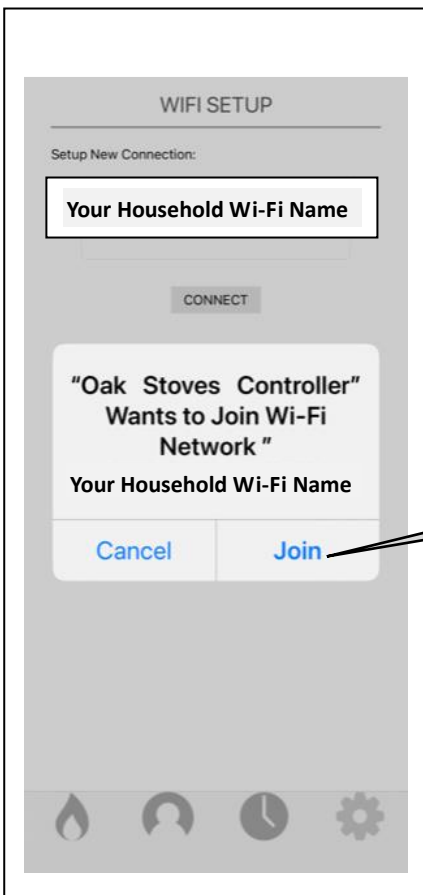
Then Press “CONNECT”

ANDROID SETUP

Is basically the same as above however there will be drop down menu in the Network Name – select your Household Network Wi-Fi name

Then type in your Network Wi-Fi Password

Then Press “CONNECT”



12. Press Join



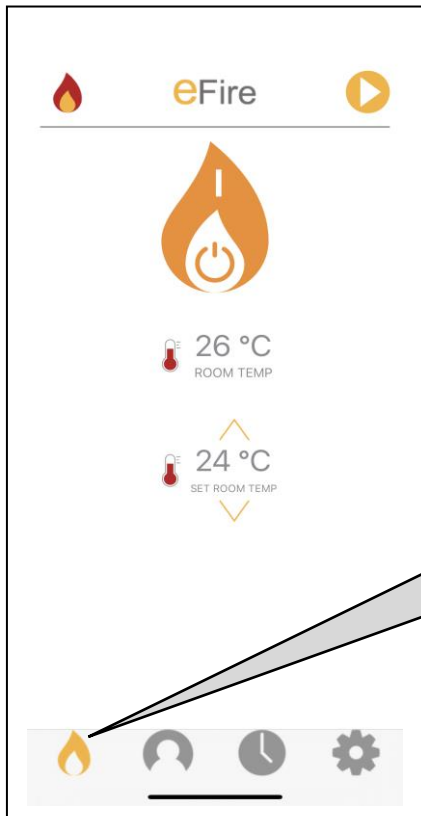
13. AGA Electric Stove is now fully connected onto your Household Wi-Fi network

If you go to “Settings” in your smart phone, and then into “Wi-Fi” the EFIREXXXXXXXXX name will have disappeared

You are now connected to your household WI-FI network, so now to operate your stove it will all be via your smart phone, but the main control toggle switch needs to be in the APP position (fully UP position) on the side of the stove

You can connect up to 4 smart phones to the stove either Android or iPhone.

Once the stove is connected to your household WI-FI network to connect another smart phone just follows Steps 1 to 7



14. Press the HOME EASY Icon

*Go to the **HOME EASY** page you are now ready to start setting up and operating your stove*

Getting to know you Smart Phone App Functions – HOME EASY SCREENS

HOME EASY SCREEN

Flame Pattern Selected
 There are 3 preset flame patterns

- Wood-Burner
- Blue Ice
- Red Sky

Plus 4 individual USER PROFILES where you can set up any flame colour you wish. Whatever preset flame profile or USER Profile is selected the icon will appear here.

USER PROFILES Button

HOME EASY Screen Button

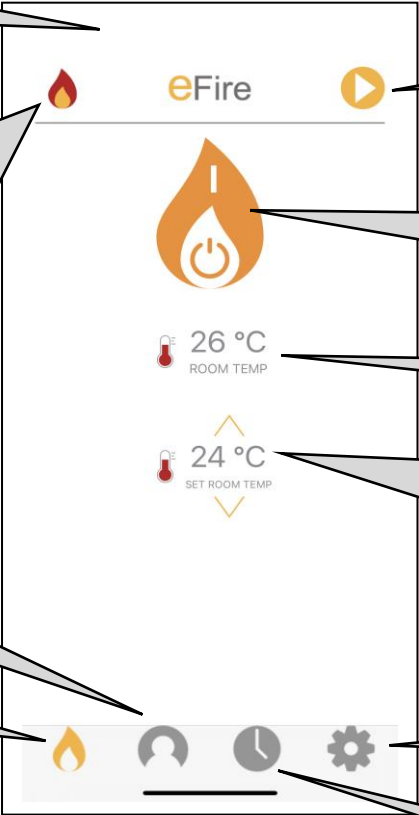
EASY SCREEN 2

Blue Ice flame Preset Icon

HEATER ON/OFF COUNTDOWN FUNCTION
 Touch the radio button and it will go Green for ON

HEATER FAN FUNCTION
 Touch the radio button and it will go Green for ON

LED SIDE LIGHT FUNCTION
 Touch the radio button and it will go Green for ON



Button onto EASY SCREEN 2

MAINS ON or OFF Button
 Press ON – button is Orange
 Press OFF – button is Grey

ACTUAL ROOM TEMPERATURE

SET ROOM TEMPERATURE
 Press the Up & Down arrows to set the room temperature you require. The stove will then do the rest via the thermostatic controller

SETTINGS Button

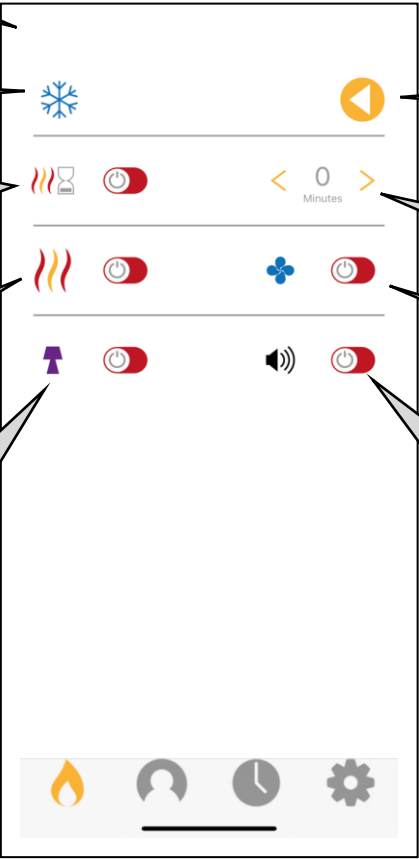
TIMER FUNCTION Button

Back Button to the HOME EASY SCREEN

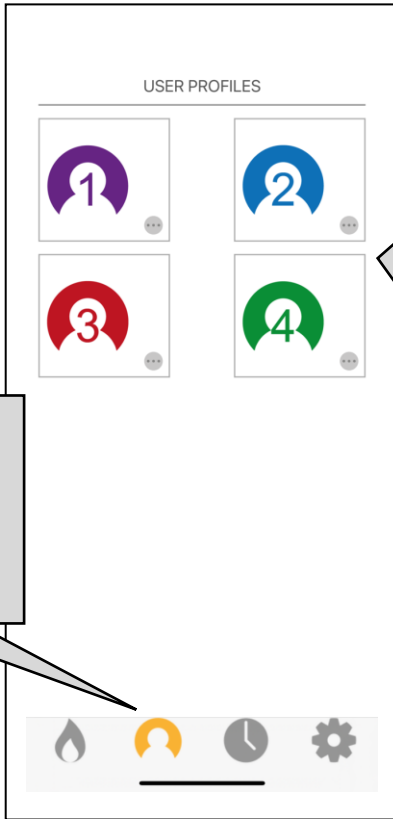
HEATER COUNTDOWN TIMER
 Adjust with the arrows < > up to 120 minutes duration

COOL FAN FUNCTION
 Touch the radio button and it will go Green for ON

WOOD BURNING SOUND
 Touch the radio button and it will go Green for ON. Volume +/- Control is in USER PROFILES



Getting to know you Smart Phone App Functions – USER PROFILES



Press the **USER PROFILE** button to go to **USER PROFILE**. Icon will go orange

4 x Individual USER PROFILES for different colour flame patterns

- 1 is Purple*
- 2 is Blue*
- 3 is Red*
- 4 is Green*


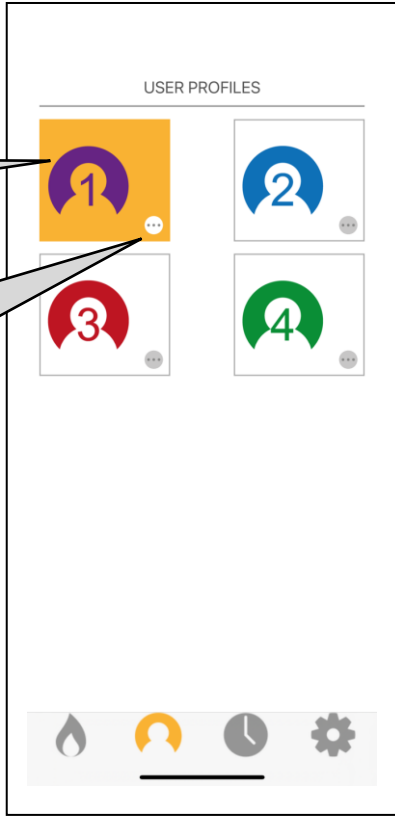
You can set up the:

- ACCENT LIGHTS**
- REAR FLAME**
- GLOWING EMBERS**
- DOWNLIGHTS ON THE FUEL BED**
- SPEAKER VOLUME**

EXTERIOR SIDE LIGHTS (OPTIONAL)

To select the **USER PROFILE** you want just press on it and it and the background will become orange

To setup or amend the **USER PROFILE** just press the **3 DOT** Icon

Shows **USER PROFILE 1** (Purple) has been selected. This will also appear in the same position on the **HOME EASY SCREEN**

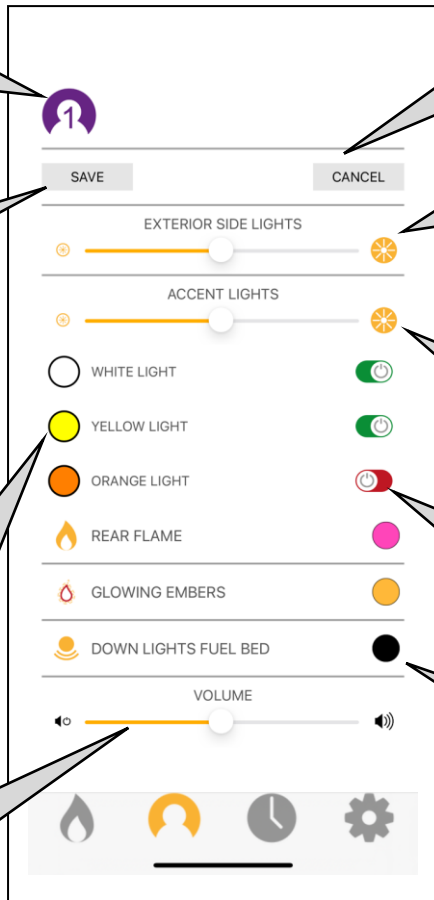
Whenever you make a new selection or amend a selection from the **USER PROFILE** screen you must press the **SAVE** button.

ACCENT LIGHTS
 There are 3 x **ACCENT LIGHTS** which are Pure Colours, **WHITE**, **YELLOW** & **ORANGE**. These 3 colours if selected are set up all together in the:
REAR FLAME
GLOWING EMBERS
DOWNLIGHTS ON THE FUEL BED

VOLUME SLIDER – adjust the slider for - / + Volume of the Wood Burner sound. You can also turn this feature ON or OFF in the **EASY Screen 2**

Whenever you make a new selection or amend a selection from this menu you must press the **SAVE** button. Then when you go back to the previous screen press the **SAVE** button again to save your full selection

Place you Finger on the **DOT** and move it to in the spectrum range to the colour you wish to select, then release



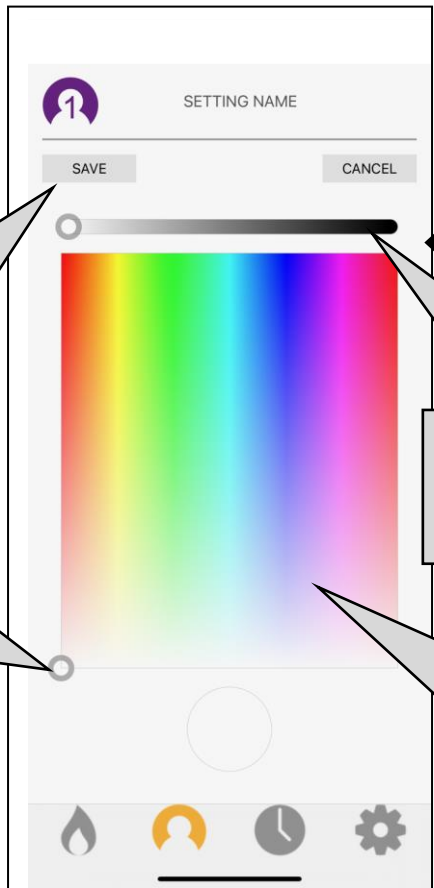
If you **CANCEL** your amendment or new selection just press the **CANCEL** Button

If you have installed **EXTERIOR LIGHTS** you can turn them **ON** or **OFF** from here. See **Exterior Light Section**

ACCENT LIGHT BRIGHTNESS
 Adjust the brightness by moving the slider button side to side

ACCENT LIGHTS - to turn **ON** or **OFF** your **ACCENT LIGHTS** just press the switch **ON** (Green) or **OFF** (Red)

Setting up the:
REAR FLAME
GLOWING EMBERS
DOWNLIGHTS ON THE FUEL BED
PRESS THE DOT
 Then this screen will open up



LIGHT BRIGHTNESS
 Adjust the brightness by moving the slider button side to side

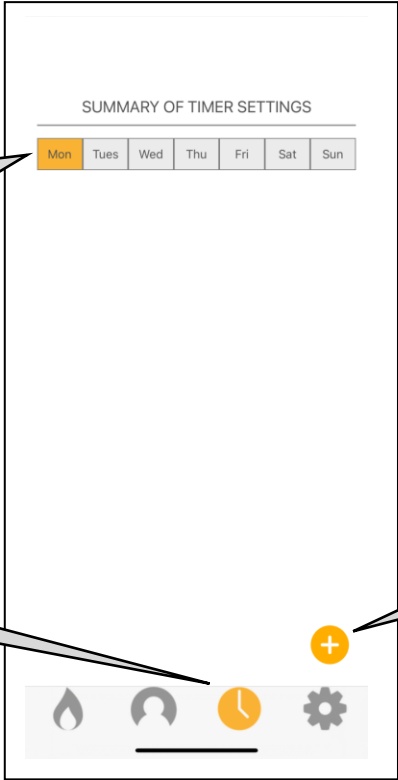
Please Note: Screen shown is from an **iPHONE**, Android screen looks slightly different. Colours shown on your smart phone screen will vary slightly to the selected colour generated by the **RGB**

Getting to know you Smart Phone App Functions – SETTING THE TIMER FUNCTION

2. Select Day - which day of the week you want to set the **TIMER FUNCTION** up for. Once selected will go Orange

1. Press the TIMER FUNCTION Icon. Once selected will go Orange

3. Press the + button



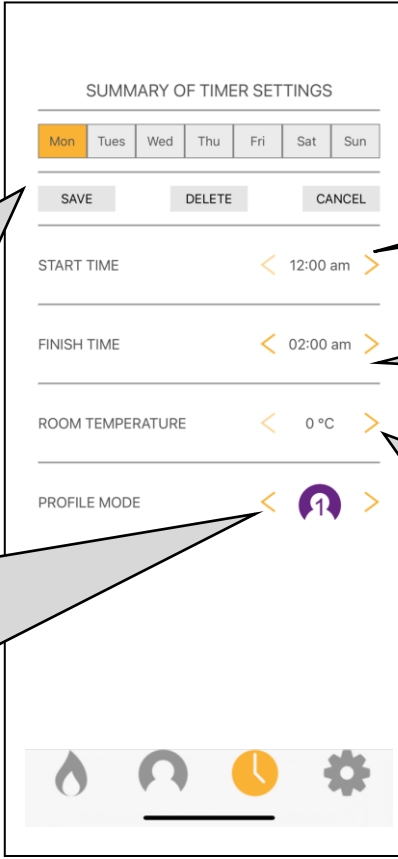
8. Select SAVE, DELETE or CANCEL
 You must press one of these selections for each timer setting.
 You can have up to 3 Timer selections per day
 Repeat these steps for additional timer settings per day or select a different Day of the week and repeat 2 to 8

4. Select the START TIME move the < > arrows to the correct time

5. Select the FINISH TIME move the < > arrows to the correct time

6. Select the ROOM TEMPERATURE move the < > arrows to the correct Temperature. If you just want the Flame Effect only on leave the Temperature to 0°C

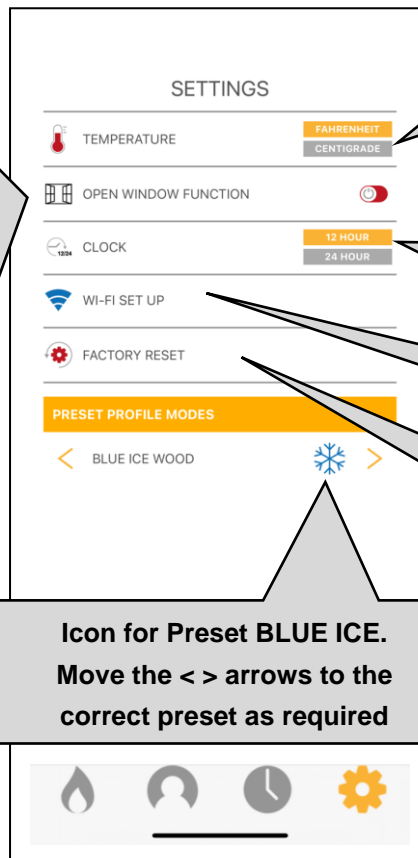
7. Select which PROFILE MODE you want, move the < > arrows to the correct profile:
 Preset Woodburner
 Preset Blue Ice
 Preset Red Sky
Individual PROFILE USER
 1, 2, 3 or 4
 (PROFILE USER 1 is selected here)



Getting to know you Smart Phone App Functions – SETTINGS FUNCTIONS

Select OPEN WINDOW FUNCTION

When this is selected (Green Button) and the heater is turned on, if the heater cannot maintain the selected room temperature from the inbuilt stove room thermostat as set on the HOME EASY SCREEN, which is above ambient room temperature. It will assume a door or window in the room is open and after approx. 15 minutes will turn the heater off. It will then restart after approx. 15 minutes. Again if it cannot maintain the selected room temperature after approx. 15 minutes it will turn the heater off. It will attempt this 3 times. This is an energy saving feature. However if the room is too large for the 2 kw stove heater to heat, we would suggest you turn this feature off



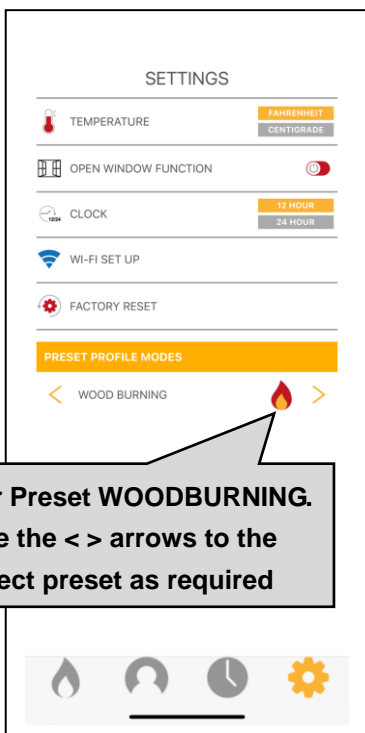
Press here to select TEMPERATURE Reading in °C or °F mode

Press here to select CLOCK Reading in 12HR or 24HR clock mode

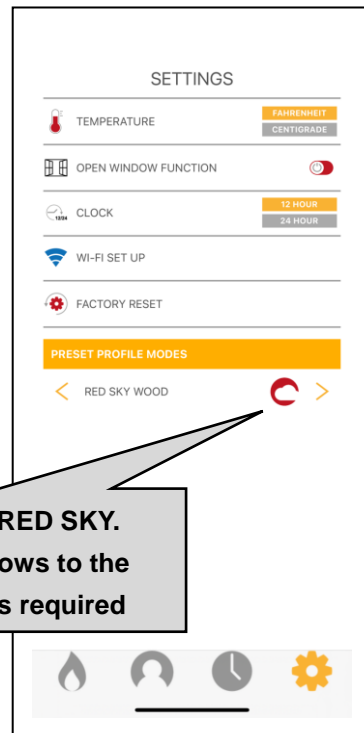
Press here to select Wi-Fi SETUP

Press here to select FACTORY RESET. This will reset all features back to default

Icon for Preset BLUE ICE. Move the < > arrows to the correct preset as required

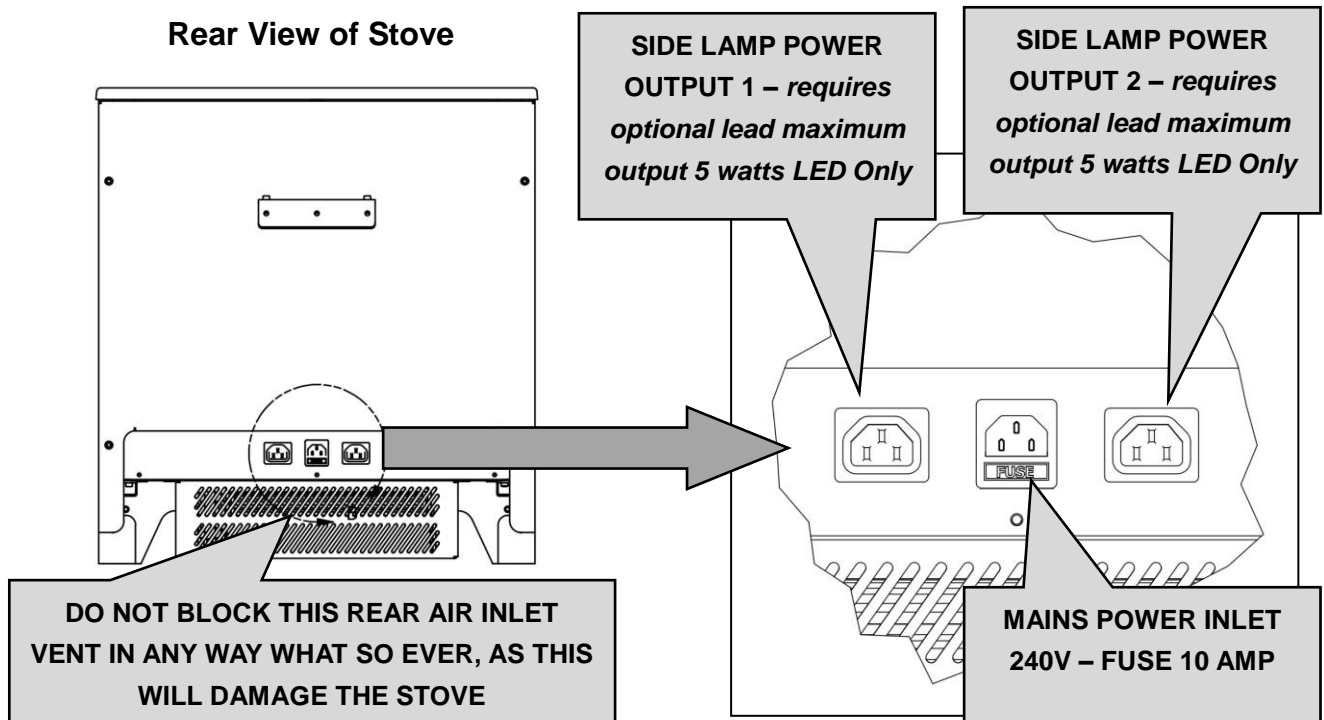


Icon for Preset WOODBURNING. Move the < > arrows to the correct preset as required



Icon for Preset RED SKY. Move the < > arrows to the correct preset as required

Plugging in the Optional 2 x Rear LED 5 Watt Table Lamps



This AGA stove can also control two table/side lights one on either side of the stove

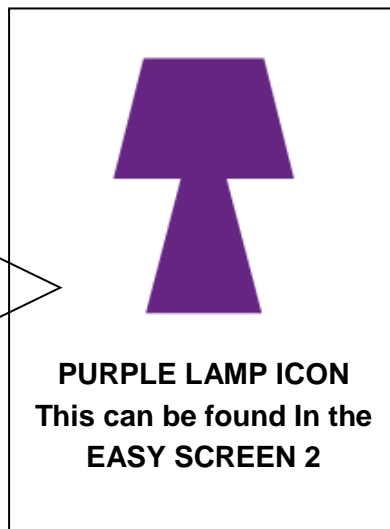
These

side lamps must be fitted with LED low energy bulbs to a maximum of 5 Watts. These 2 LED bulbs not dimmable. **MAXIMUM WATTAGE ALLOWED ON THE 2 X REAR IEC PLUGS IS 10 WATTS**

In the **EASY SCREEN 2** the Purple Lamp icon will turn them ON or OFF

2 x Female IEC plug are required (not supplied refer to Spare Parts Listing).

You can purchase an adapter lead from AGA with an IEC female plug wired to a three pin socket plug, you can just plug your side lamps into the 3 pin socket



MAXIMUM WATTAGE 5 WATTS PER LED
LOW ENERGY BULB ONLY - 240 VOLTS ONLY

STOVE RESET SEQUENCE

- 1) Unplug the Stove from the wall socket
- 2) Switch the unit OFF on the ON/OFF Toggle on the side of the stove
- 3) Turn the ON/OFF Toggle switch to ON
- 4) Using the Smart phone go to SETTINGS and WI-Fi Reset
- 5) Undertake the Reset sequence
- 6) Switch the unit OFF on the ON/OFF Toggle on the side of the stove
- 7) Turn the ON/OFF Toggle switch to ON
- 8) Stove has now completed a reset

CARE AND MAINTENANCE

1. Switch off and unplug from the power supply before cleaning.
2. Using a soft, moist cloth, with or without a mild soap solution, carefully clean the exterior surface of the products.

CAUTION: Unplug from the mains electrical supply and allow the product to completely cool before handling or cleaning it.

3. Do not allow water or other liquids to run into the interior of the product, as this could create a fire and/or electrical hazard.
4. We also recommend the periodic cleaning of this appliance by lightly running a vacuum cleaner nozzle over the guards to remove any dust or dirt that may have accumulated inside or on the unit.

5. VERY IMPORTANT - REGULARLY CLEAN THE COOL AIR INLET VENT AT THE BOTTOM REAR OF THE STOVE AND THE HOT AIR OUTPUT VENT AT THE BOTTOM FRONT OF THE STOVE OF ANY FOREIGN MATTERS SUCH AS PET HAIRS, CARPET FLUFF, DUST, DEBRIS OR FIBRES

CAUTION: Do not use harsh detergents, chemical cleaners or solvents as they may damage the surface finish of the plastic components.

ENVIRONMENTAL PROTECTION

RECYCLING



This symbol is known as the 'Crossed-out Wheelie Bin Symbol'. When this symbol is marked on a product or battery, it means that it should not be disposed of with your general household waste. Some chemicals contained within electrical/electronic products or batteries can be harmful to health and the environment.

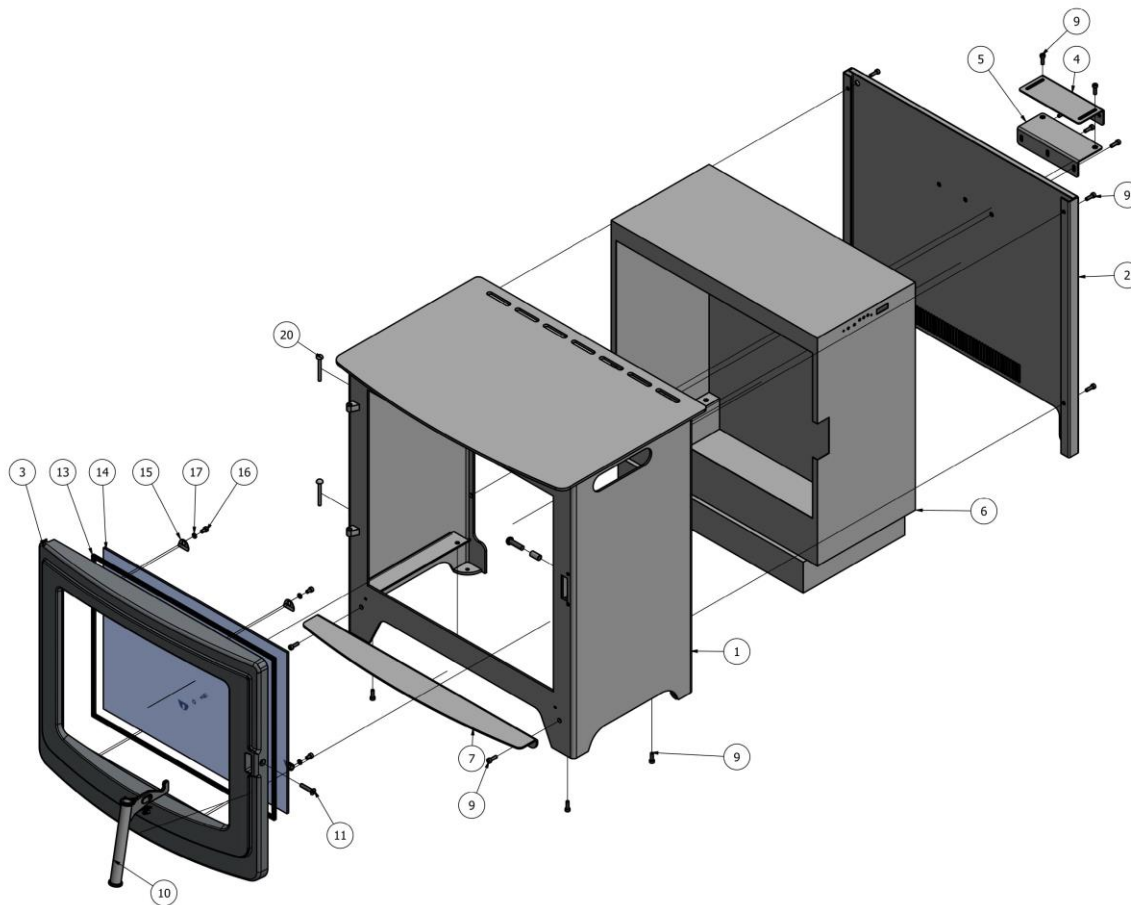
Only dispose of electrical/electronic/battery items in separate collection schemes, which cater for the recovery and recycling of materials contained within. Your co-operation is vital to ensure the success of these schemes and for the protection of the environment.

REPLACEMENT PARTS FOR THE ELECTRIC FIRE BOX CASSETTE ONLY

Ref	Ellesmere / Ludlow Standard	Ellesmere / Ludlow Wide	Description	Part Number	QTY
1	Yes	Yes	Blower & Heater Assembly Complete	EL/1500/22	1
2	Yes	Yes	Heater Control Board	EL/1501/22	1
3	Yes	Yes	ON/OFF Side Mains Switch	EL/1502/22	1
4	Yes	Yes	APP Side Switch	EL/1503/22	1
5	Yes	Yes	Temperature Sender	EL/1504/22	1
6	Yes	Yes	LED/RGB Light Board	EL/1505/22	3
7	Yes	Yes	Motor	EL/1506/22	2
8	Yes	Yes	Motor Coupling	EL/1507/22	2
9	Yes	Yes	Motor End Bearing	EL/1508/22	2
10	Yes	Yes	Low Voltage Wiring Loom	EL/1509/22	1
11	Yes	Yes	240v Wiring Loom	EL/1510/22	1
12	Yes	Yes	Reflective Flame	EL/1511/22	2
13	Yes	Yes	Standby Red LED Loom	EL/1512/22	1
14	Yes	Yes	4 Piece Log Set	EL/1513/22	1
15	Yes	Yes	Glass Chippings (Red, Orange & Yellow)	EL/1514/22	1
16	Yes	Yes	White & Silver Vermiculite Chippings	EL/1515/22	1
17	N/A	Yes	Rear Frosted Glass Wide	EL/1516/22	1
18	N/A	Yes	Rear Reflective Glass Wide	EL/1517/22	1
19	N/A	Yes	Base Frosted Glass Wide	EL/1518/22	1
20	Yes	N/A	Rear Frosted Glass Standard	EL/1519/22	1
21	Yes	N/A	Rear Reflective Glass Standard	EL/1520/22	1
22	Yes	N/A	Base Frosted Glass Standard	EL/1522/22	1
23	Yes	Yes	Rear Side Light Cable (optional extra)	EL/1523/22	2
24	Yes	Yes	IEC Main Inlet Socket	EL/1524/22	1
25	Yes	Yes	IEC Side Light Socket	EL/1525/22	2
26	Yes	Yes	Main Cable 2 Metre Long	EL/1526/22	1

**ONLY A QUALIFIED ELECTRICIAN OR ELECTRICAL ENGINEER
CAN REPAIR THIS PRODUCT LEGALLY & FOR THE WARRANTY TO BE VALID**

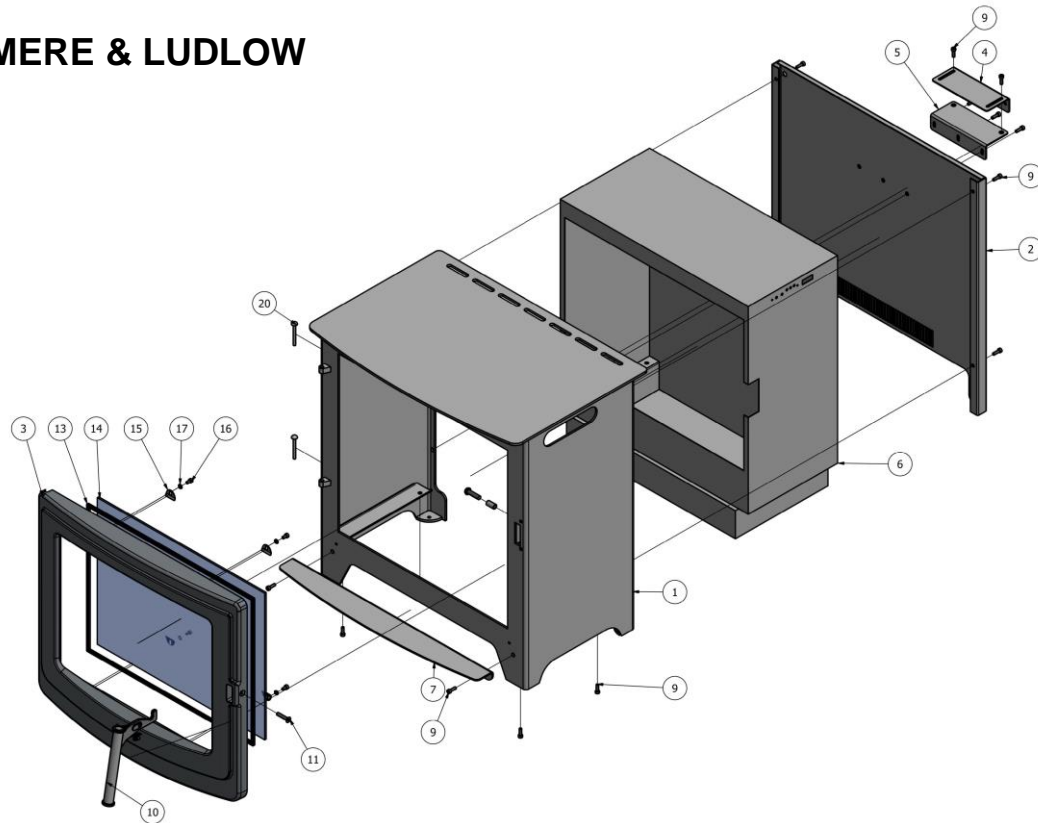
EXPLODED VIEW & PARTS LIST - WIDE MODELS – LUDLOW & ELLESMERE



Reference	Qty	Description	Part Number
1		A5W Wide Main Body	EL/1527/22
2		A5W Wide Rear Heat Shield	EL/1528/22
3A		A5W Wide Cast Door - ELLESMERE	A5W/ELL/DOOR
3B		A5W Wide Cast Door - LUDLOW	A5W/LUD/DOOR
4		Wall Mounting Bracket 1	EL/1529/22
5		Wall Mounting Bracket 2	EL/1530/22
6		EC5W Wide Electric Firebox Assembly	EL/1531/22
7		A5 Wide Front Ash Lip	EL/1532/22
8 & 9	6	M5 X 15 CAP SCREW	EL/1533/22
10	1	Handle Assembly	EL/1534/22
11	1	M6 CSK x 30mm Screw Handle Pivot	EL/1535/22
12		M6 CSK x 25mm Screw	EL/1536/22
13		A5 Wide Glass Gasket	EL/1537/22
14A		A5W Wide Electric AGA Glass - ELLESMERE	A5W/ELL/DOOR/GL
14B		A5W Wide Electric AGA Glass - LUDLOW	A5W/LUD/DOOR/GL
15, 16 & 17	4	Glass Clips & Fixing Screws & Washers	EL/1538/22
18 & 19	1	Handle Roller and Fixing Screw	EL/1539/22
20	2	Door Hinge Pins	EL/1540/22

EXPLODED VIEW & PARTS LIST - STANDARD MODELS –

ELLESMERE & LUDLOW



Reference	Qty	Description	Part Number
1	1	A5S Standard Main Body	EL/1541/22
2	1	A5S Standard Rear Heat Shield	EL/1542/22
3A	1	A5S Standard Cast Door ELLESMERE	A5S/ELL/DOOR
3B	1	A5S Standard Wide Cast Door LUDLOW	A5S/LUD/DOOR
4	1	Wall Mounting Bracket 1	EL/1543/22
5	1	Wall Mounting Bracket 2	EL/1544/22
6	1	A5S Standard Electric Firebox Assembly	EL/1545/22
7	1	A5S Standard Front Ash Lip	EL/1546/22
8 & 9	6	M5 X 15 CAP SCREW	EL/1547/22
10	1	Handle Assembly	EL/1548/22
11	1	M6 CSK x 30mm Screw Handle Pivot	EL/1549/22
12	1	M6 CSK x 25mm Screw	EL/1550/22
13	1	A5S Standard Glass Gasket	EL/1551/22
14A	1	A5S Standard Electric AGA Glass - ELLESMERE	A5S/ELL/DOOR/GL
14B	1	A5S Standard Electric AGA Glass - LUDLOW	A5S/LUD/DOOR/GL
15, 16 & 17	4	Glass Clips & Fixing Screws & Washers	EL/1552/22
18 & 19	1	Handle Roller and Fixing Screw	EL/1553/22
20	2	Door Hinge Pins	EL/1554/22

TROUBLE SHOOTING

PROBLEM	POSSIBLE CAUSE	SOLUTION
Smart Phone App not working	Side switch is not set to the upper position for APP	Flick switch into APP Mode, Stove will not work on APP unless switch is set in the right position
	House hold router not working	Turn House hold router off leave off for 60 seconds then switch on again, retry the APP. Undertake a factory reset on the APP as detailed on page 31 on your smart phone
Dim or no flame in the Rear Flame, down lights or fuel bed	Turned to dim on the APP on the smart phone	Go into the App and adjust the brightness
	Flame LED's are damaged	Inspect the LED's and replace them if necessary Call a qualified service technician and replace the LED Strip (Plug & Play)
Appliance turns off and will not turn on	Appliance has overheated and safety device has caused the thermal switch to disconnect	Turn off the main switch, allow appliance to cool for 10 minutes, then turn it on
	House circuit breaker has tripped	Reset house circuit breaker
	Appliance's fuse has blown	Replace the fuse in the back outer panel of the stove
Appliance will not come on when switch is turned to ON	Appliance is not plugged into an electrical outlet	Check plug and plug in
	Appliance has overheated and safety device has caused the thermal switch to disconnect	Turn off the main switch, allow appliance to cool for 10 minutes, then turn on
	Circuit board is damaged	Inspect the circuit board and replace if necessary Call a qualified service technician and replace Circuit board
No warm air coming out of appliance	Turned to Cool Air or the temperature has been set too low on the EASY SCREEN on the smart phone APP	Go into the App and adjust the setting to the required room temperature Turn off the Cool Air Function
No warm air coming out of appliance	Heater sensor is damaged	Inspect the sensor and heater assembly and replace if necessary. Call a qualified service technician
Flame sputters	Flame motor is defective or motor coupling loose	Call a qualified service technician and replace flame motor and coupling
Flame is fixed not moving	Wiring may be loose or the flame motor may be defective	Call a qualified service technician and replace motor & spinner



SERVICE HISTORY

This heater must be serviced annually depending on usage.

Date	Dealer Name	Service Technician Name	Service Performed	Special Concerns

NOTES:

AGA FREESTANDING ELECTRIC STOVE – 2 YEAR EXTENDED WARRANTY

If you have purchased your stove from an AGA stockist within our Retailer Network, then automatically your product will carry an extended 2 year warranty. You do not need to register your stove for the warranty, but you need to retain your invoice as proof of purchase, as you will need this to make a warranty claim. So please keep the purchase invoice/receipt safe, you will also require the serial number of the stove which is on an aluminum plate above the bottom door hinge, so open the door and you will see it. This allows us to trace the date the stove was manufactured and which retailer it was sold to. Any warranty claims have to be dealt with by the retailer you purchased the stove from, the retailer will then contact AGA to deal with any warranty claims

Any product purchased outside of the AGA Retailer Network will carry a standard 12 month, non-extendable warranty.

It is a condition of the Extended Warranty that the installation complies with relevant Building Regulations and the rules in force, and is carried out by a suitably trained and qualified/competent person and the freestanding stove is installed as detailed in the installation and operating manual, ensuring the stove has ample ventilation completely around the stove.

This warranty is not transferable and is extended only to, and solely for, the benefit of the original purchaser of the stove. Please retain your dated sales invoice/receipt as a proof of purchase. During your extended warranty period, only genuine spare parts must be used in the servicing and maintenance of your stove, these spare parts can be ordered via the AGA Retailer directly. Consumable items such as glass, paint, screens, door rope seals, bulbs, LED light boards, ceramic/plaster fuel effects, remote controls, glass beads and batteries which are either subject to normal wear and tear or parts that require replacement in connection with normal maintenance and are not covered, either by the original or the Extended Warranty. Should you experience problems with your stove, any claim must be submitted to warranty@agastoves.org.uk with details of the supplying retailer and installation partner.

Warranty Exclusions and Limitations

No Warranty is extended to consumable service parts. Repair or replacement of parts which are subject to normal wear and tear during the warranty period or parts that will require replacement in connection with normal maintenance. Such parts include but are not limited to glass, screens, bulbs, LED boards, ceramic fuel effects, glass beads and batteries.

Additional Advisory Information

Please do not cover this stove in anyway what so ever with anything as this could cause damage to the stove and void any warranty

You must fit the stove in accordance with the manufacturer's instructions and regularly clean any dust, fibres or debris (Pet hairs & Carpet Fluff) from the fan heater inlet and outlet as this could cause damage or become a fire risk. This stove must be installed on a non-combustible hearth with the correct clearance around it so air flow can move around the stove freely as detailed in the installation manual

The Extended Warranty does not cover:

- a) In normal usage the paint finish of your Stove may change colour slightly. As these circumstances are considered normal, they are not covered by the warranty.
- b) Enamelled components where these parts are subjected to abnormally high temperatures, chemical abrasion or thermal shocks, resulting in chipping, cracking, bubbling or discolouration and crazing of the enamelled finish.
- c) Damage resulting from installation and usage where the appliance has not been installed or used in accordance with the Stoves installation and operation instructions, or if the installation does not conform to local building, fire and safety regulations.
- d) Defects or faults caused by specific local conditions such as draught problems, water damage and condensation (including the remote control unit)
- e) Damage caused by unauthorised modifications, use or repair.
- f) Damage or defects caused by the product being stored in a damp, unheated environment.
- g) Consequential loss (to the extent permitted by law) relating to other associated products that have not been supplied by AGA Stoves.
- h) Consequential loss (to the extent permitted by law) related to decorations, furnishings or other household assets.
- i) Delivery to/or return transport costs, Removal and re-installation costs. or any labour cost to fit parts

Repaired or replaced products are covered only for the remainder of the original warranty period.

If you should ever wish to make a warranty claim because of a product fault or defect, you must inform us within a reasonable amount of time, this is within 14 days from the date on which the fault or defect first became apparent. If the product fault or defect is notified after 14 days from the date on which the fault or defect became apparent, we cannot accept any liability for events or issues which arise after the 14 day period or which are caused or increased by the lack of notification which therefore prevented action being taken to restrict or eliminate any consequences arising from the fault or defect at an earlier date.

In the event of a product fault occurring during the warranty period, we will send the appropriate components or goods necessary to rectify the fault, free of charge. but this does not cover any labour cost to fit them.

Nothing in the Extended Warranty shall make AGA Stoves or their partners liable for any or special, incidental or consequential damages, injury to persons or property, or any other consequential loss beyond the consumer's statutory rights. The liability on AGA Stoves total liability extends only to the purchase price paid for the goods by the AGA Retailer, except where such a limitation is prohibited by statute. AGA Stoves, in the event of a warranty claim, reserve the right to either replace the goods in question or to refund the purchase price of the goods as paid by the Premium Retailer.

The Extended Warranty does not affect your statutory rights.

The above warranty terms and conditions came into effect on 1st January 2013 and are applicable for all relevant products purchased after this date. Please note: This warranty is applicable for purchases within the United Kingdom (mainland only).

PRODUCT TESTING AND ACCREDITATION:

This range of AGA electric Ellesmere & Ludlow stoves have been designed and fully tested and manufactured in the UK, and fully conform with the relevant Union Harmonisation Legislation:

- 2014/30/EU Electromagnetic Compatibility Directive
- 2014/35/EU Low Voltage Directive
- 2011/65/EC RoHS Directive and it's amendments including (EU) 2015/863
- 2014/53/EU Radio Equipment Directive

The following Harmonised Standards and Technical Specifications have been applied:

- EN 55014-1:2017+A11:2020
- EN 61000-3-2:2019
- EN 55014-2:2015
- EN 61000-3-3:2013+A1:2019
- ETSI EN301 489-1 V2.2.0:2017 ETSI
- EN301 489-3 V2.1.1:2017
- EN 60335-1:2012+A11:2014+A13:2017
- EN 60335-2-30:2009 + A11:2012
- EN 62233:2008 ETSI
- EN 300328 V2.2.2:2017

**THIS STOVE MUST BE INSTALLED AS PER THE
MANUFACTURERS RECOMMENDATIONS AS FULLY
DETAILED IN THIS MANUAL**

**ONLY A QUALIFIED ELECTRICIAN OR ELECTRICAL
ENGINEER CAN REPAIR THIS PRODUCT LEGALLY &
FOR THE WARRANTY TO BE VALID**



AGA Rangemaster
Station Road, Ketley
Telford, Shropshire
TF1 5AQ
United Kingdom
www.agastoves.co.uk



**BRITISH
MADE**

**This Stove has been fully Designed, Tested,
Approved & Manufactured in the UK**



*This stove conforms to all relevant
UK & European Directives*

With AGA Rangemaster's Policy of Continuous Product Improvement, the Company reserves the right to change specifications and make modifications to the appliance described and illustrated at any time