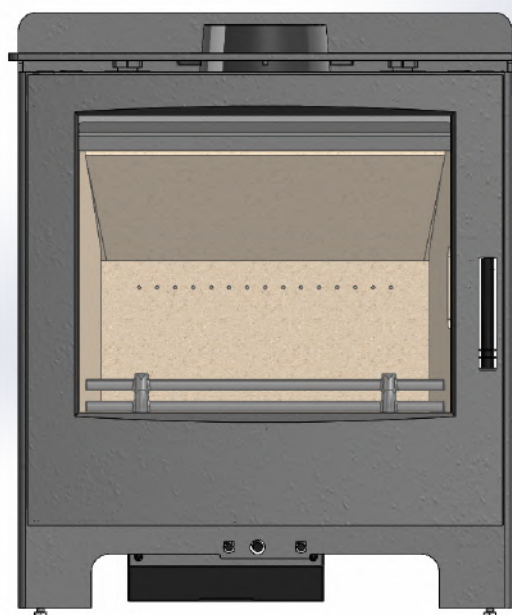
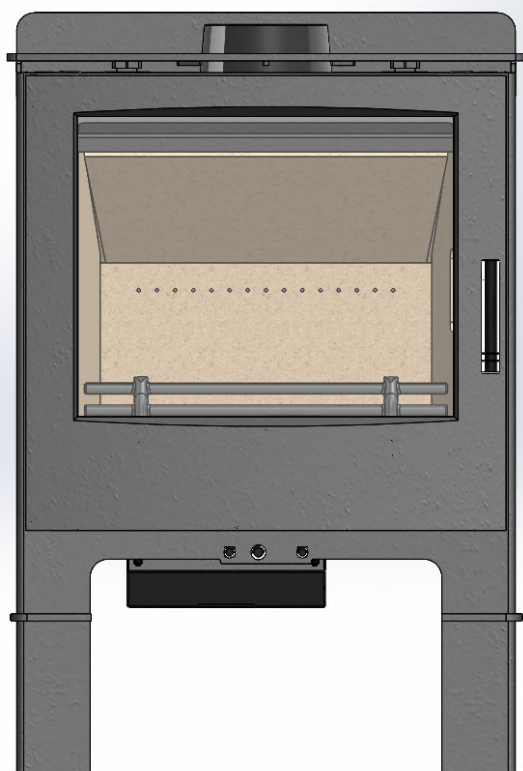


OPERATION AND INSTALLATION MANUAL

MULTI-FUEL & SMOKE EXEMPTION MODELS

THE WOODLAND DUAL CONTROL



The Woodland DC SE

M00530-00-00-00-02

The Woodland DC Convector Plus SE

M00531-00-00-00-02

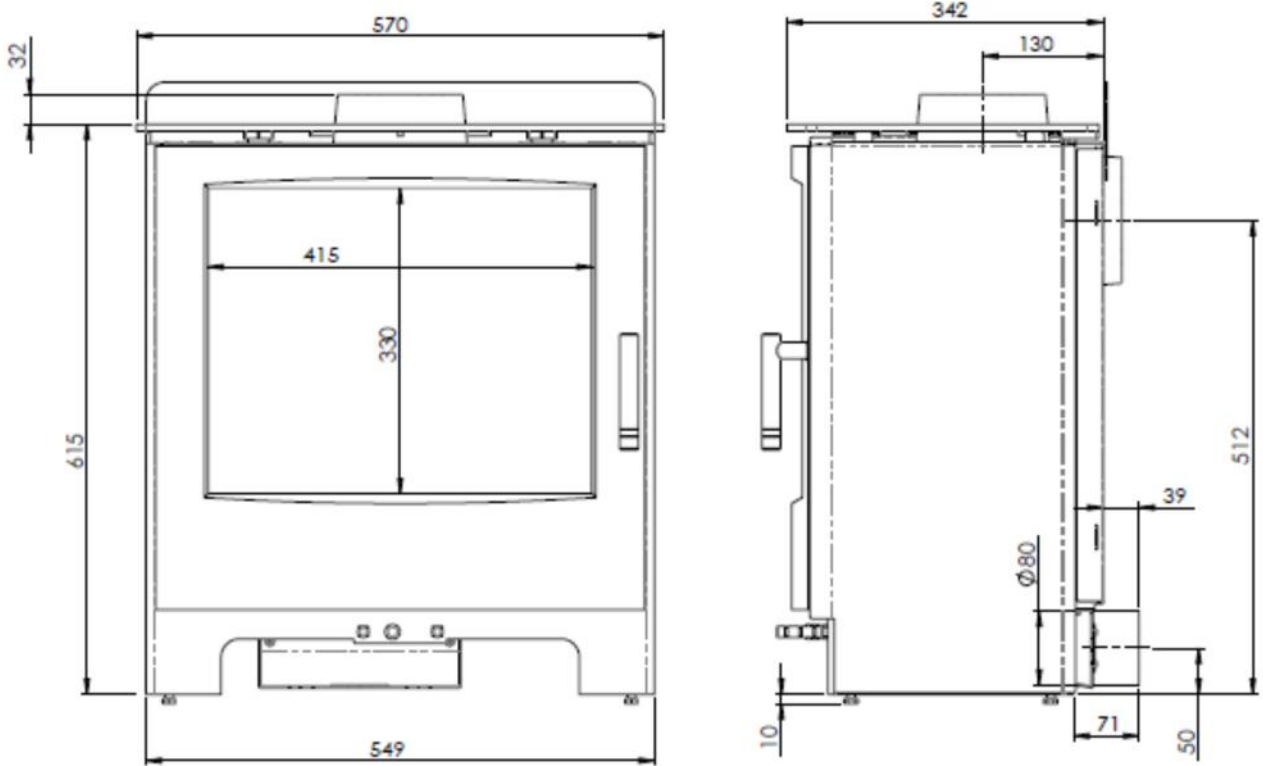
The Woodland DC Logstore SE

M00533-00-00-00-01

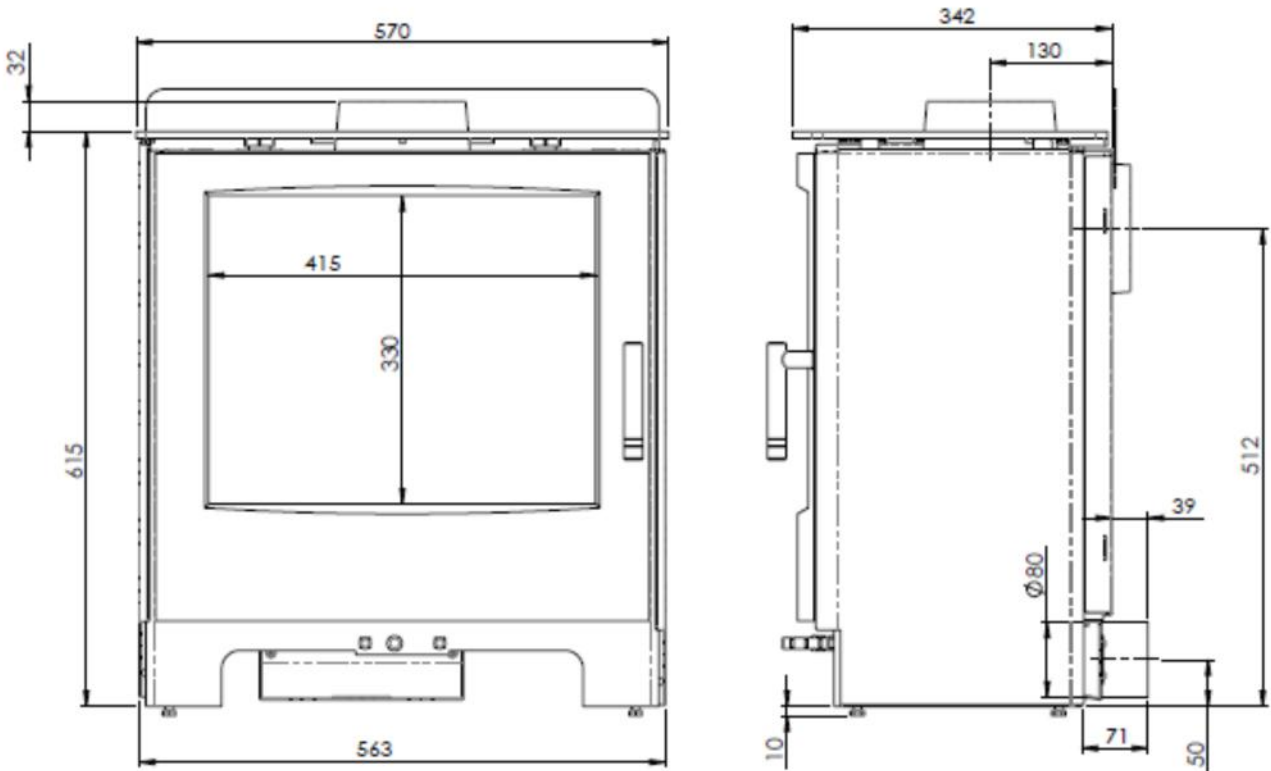
The Woodland DC Logstore Convector Plus SE

M00534-00-00-00-01

WOODLAND DC STOVE DIMENSIONS

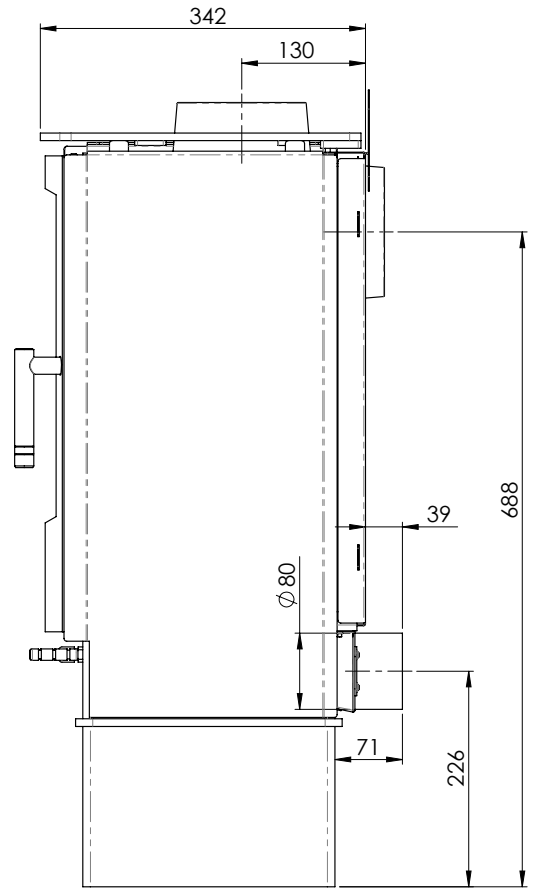
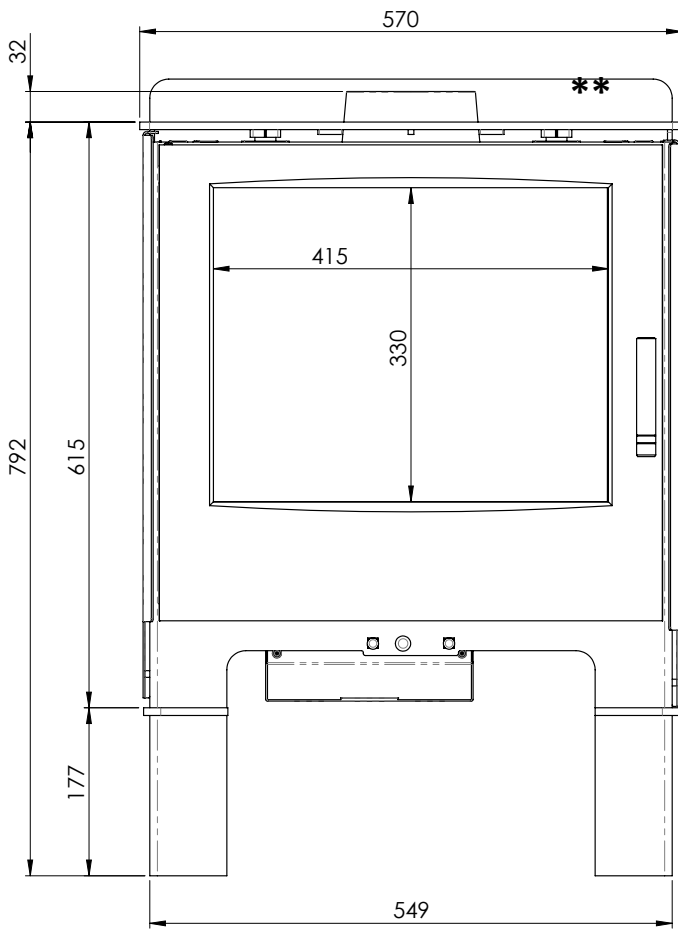


WOODLAND DC CONVECTOR PLUS STOVE DIMENSIONS



The **direct air intake spigot** (80mm diameter) to the rear of the stove is removable with a 2.5mm Allen key.

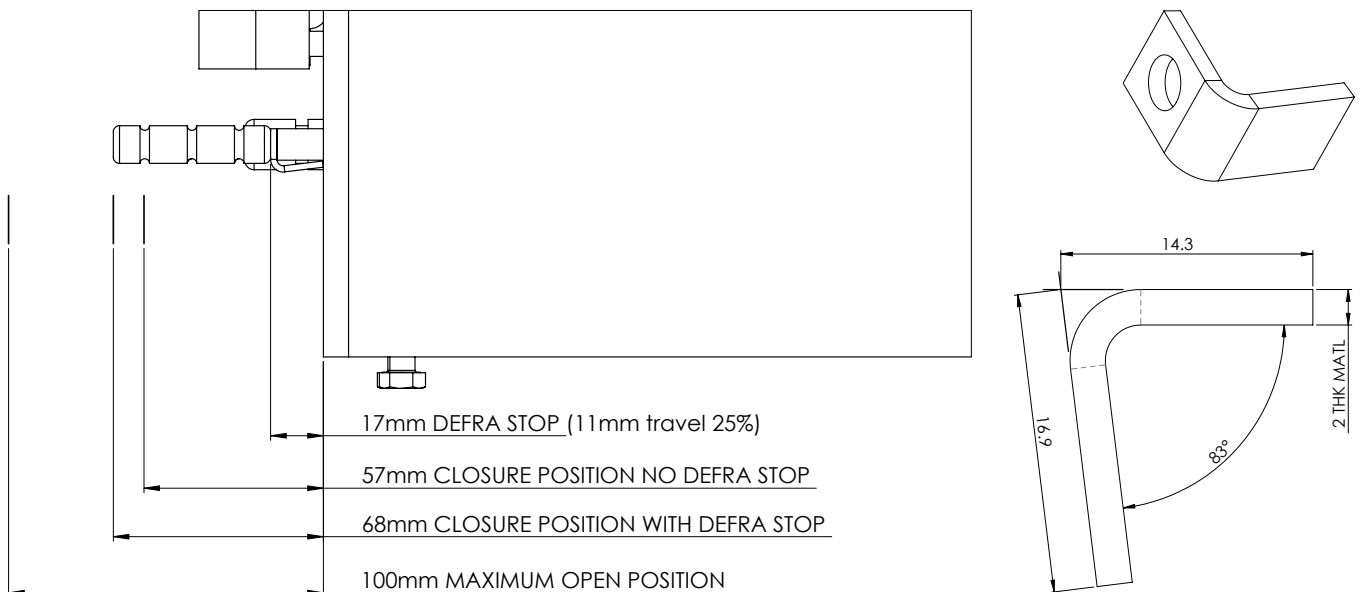
WOODLAND DC LOGSTORE CONVECTOR PLUS STOVE DIMENSIONS



****** The additional, top flue rear convection panel (supplied loose within the stove) needs to be used when installing the stove 100mm from a combustible wall; this slots over the rear convection panel and provides additional radiant protection from the flue collar.

The **direct air intake spigot** (80mm diameter) to the rear of the stove is removable with a 2.5mm Allen key.

The SE appliances include a modified air control to prevent closure of the secondary air control beyond 25% open



Contents



PAGE	
02-03	Dimensions
04-10	Installation Instructions
11-18	Operating Guidance
19	How to?
20-23	Exploded parts diagrams

MENDIP STOVES WARRANTY

5 Year Extended Warranty

If you have purchased your stove from a Mendip Stoves registered retailer, then your stove will carry a 2 year warranty as standard. The 2 year warranty can be further extended to a total warranty period of 5 years by registering your Mendip Stove within one month of the latter of the purchase date or installation date. Accordingly, the start date for the warranty period is the date of purchase. During the registration process, the Registered Retailer details will be required for your Extended Warranty to be activated. Any product purchased outside of our registered Retailer Network will carry a standard 12 month, non-extendable warranty. It is a condition of the Extended Warranty that the installation complies with the relevant Building Regulations and is carried out by a suitably trained and qualified individual (HETAS in the UK or equivalent in other countries) with the certificate of installation and proof of purchase supplied. Full terms and conditions are detailed in the Warranty Statement on the Eurostove website www.eurostove.co.uk. In the event of any conflict of information the wording on the website shall prevail. Important Note: Should any problems be experienced with your product, claims must first be submitted to the Retailer where the appliance was purchased from who will offer immediate assistance or contact Eurostove on your behalf



Register online today to activate warranty: online. <http://www.mendipstoves.co.uk/SIT/StoveRegistration>

INSTALLATION MANUAL

This manual refers to the stoves listed above, which are tested in accordance with EN 13240.

Thank you for purchasing your new stove from Mendip Stoves. Please read this manual carefully to ensure that you get maximum enjoyment and performance from your new stove and to prevent any potential operational problems. Please note that "all local regulations, including those referring to national and European Standards, need to be complied with when installing this appliance". For further information on installing and using fireplaces and wood burning stoves, please see the relevant building regulations.

These instructions cover the basic principals to ensure the satisfactory installation of your multi-fuel stove, although detail may need slight modification to suit particular local site conditions.

HEALTH AND SAFETY PRECAUTIONS

INFORMATION FOR THE USER, INSTALLER AND SERVICE ENGINEER

Special care must be taken when installing a stove such that the requirements of the Health & Safety at Work Act are met.

Handling

Adequate facilities must be available for loading, unloading and site handling.

Fire Cement

Some types of fire cement are caustic and should not be allowed to come into contact with the skin. In case of contact wash immediately with plenty of water.

PREPARATORY WORK AND SAFETY CHECKS

IMPORTANT WARNING

This stove must not be installed into a chimney that serves any other heating appliance. There must not be an extractor fan fitted in the same room as the stove because this can cause the stove to emit fumes into the room.

Asbestos

This stove contains no asbestos. If there is a possibility of disturbing any asbestos in the course of installation then please seek specialist guidance and use appropriate protective equipment.

Metal Parts

When installing or servicing this stove care should be taken to avoid the possibility of personal injury.

CO Alarms:-

Building regulations require that whenever a new or replacement fixed solid fuel or wood/biomass appliance is installed in a dwelling a carbon monoxide alarm must be fitted in the same room as the appliance. Further guidance on the installation of the carbon monoxide alarm is available in BS EN 50292:2002 and from the alarm manufacturer's instructions.

Provision of an alarm must not be considered a substitute for either installing the appliance correctly or ensuring regular servicing and maintenance of the appliance and chimney system.

Stove paint Aerosols

Paint aerosols are flammable and therefore dangerous to use around a lit stove. Be sure to allow aerosols spray paints to dry and ventilate the room well before lighting the stove. The use of any aerosol around lit stove is dangerous and care must be taken in handling aerosols.

Fireguards: The use of a fireguard to BS 8423:2002 in the presence of children, aged and/or infirm persons is essential for their safety, even when the stove is not in use.

The glass on the stove is ceramic glass and able to withstand very high temperatures however it is not toughened and a hard impact could cause the glass to break.

IMPORTANT:

These instructions cover the basic principles to ensure the satisfactory installation of Mendip Stoves product :- Woodland models, although detail may need slight modification to suit particular local site.

In all cases the installation must comply with current Building Regulations, Local Authority Byelaws and other specifications or regulations as they affect the installation of the stove. It should be noted that the Building Regulations requirements may be met by adopting the relevant recommendations given in British Standards BS 8303, BS EN 15287 as an alternative means to achieve an equivalent level of performance to that obtained following the guidance given in Approved Document J.

FLUE & CHIMNEY CONNECTION TO STOVE

The outlet from the chimney should be above the roof of the building in accordance with the provisions of Building Regulations Approved Document J. If installation is into an existing chimney then it must be sound and have no cracks or other faults which might allow fumes into the house. Older properties, especially, may have chimney faults or the cross section may be too large .

Mendip Stoves recommend the use of a solid fuel flue lining system for all installation into existing chimneys. All chimney systems must be used in accordance with Building Regulations Approved Document J.

If an existing chimney is used the chimney must be clear of obstruction and be swept clean immediately before installation of the stove. The chimney should be tested to confirm the chimney will provide the correct chimney pressure for the stove. If the stove is fitted in place of an open fire the chimney should be swept one month after installation to clear any soot falls which may have occurred due to the difference in combustion between the stove and the open fire. If there is no existing chimney then either a prefabricated block chimney in accordance with Building Regulations Approved Document J or a twin walled insulated stainless steel flue to BS 1856-1 . These chimneys must be fitted in accordance with the manufacturer's instructions and Building Regulations. A single wall metal flue pipe is suitable for connecting the stove to the chimney but is not suitable for using for the complete chimney. The connecting flue pipe must have a minimum diameter of 125 mm and its dimension should be not less than the size of the outlet socket of the stove. Registered smoke exempt models with a 125mm collar burning wood only can be installed on a flue of 125mm throughout. Any bend in the chimney or connecting flue pipe should not exceed 45°. 90° bends should not be used other than within 150mm of stove rear flue outlet.

Chimney Connection

In order for the stove to perform satisfactorily the chimney height must be sufficient to ensure an adequate draught to clear the products of combustion and prevent smoke problems into the room.

Tested Gas flow rates flue gas temperatures	Flue gas flow rate Wood / smokeless briquetted fuel	Test flue gas temperature wood /smokeless briquetted fuel	@ pascals of pressure
THE WOODLAND	5.1/5.0 g/sec	238/248 °C	12 pa

A chimney height of not less than 4.5 metres measured vertically from the outlet of the stove to the top of the chimney should be satisfactory. Alternatively the calculation procedure given in BS5854:1980 may be used as the basis for deciding whether a particular chimney design will provide sufficient draught.

If it is found that there is excessive draught in the chimney then either an adjustable flue damper or alternately a draught stabiliser should be fitted. The adjustable flue damper should not close off the flue entirely but should in its closed position leave a minimum continuous opening free area of at least 20 % of the total cross sectional area of the flue or flue pipe. Adequate provision e.g. easily accessible soot door or doors must be provided for sweeping the chimney and connecting flue pipe.

Your appliance needs to be maintained routinely, the throat plate/baffle should be cleaned regularly (monthly) . The flue pipe can be cleaned using a flexible brush. Only Use a dry cloth on external surfaces. Over time the glass may become dirty, clean with a damp cloth and polish off with dry cloth. If the stove has not been used for some time the flue should be checked for blockages before use. Do not modify the appliance; only use spares authorised by the manufacturer.

STOVE PERFORMANCE & TESTING

Mendip Stoves, The Woodland models are tested in accordance with EN 13240.

	Output	Efficiency	CO (at 13% O ₂)	Particulates (at 13% O ₂) Nmg/m ³	Nox (at 13% O ₂) Nmg/m ³	CnHm (at 13% O ₂) Nmg/m ³
Wood	5.0kW	79.5%	0.09%	27	103	74
smokeless briquetted fuel	4.9kW	76.4%	0.08%	17	135	61

Weight & Nominal Heat Output for Wood and Smokeless Fuels

	Log Length	Wood Reload	Weight Wood Load	smokeless briquetted fuel Reload	Weight smokeless briquetted fuel (anth)
Woodland	35cm	1hr	1.2kg	2hr	1.5kg

THE MINIMUM DISTANCE TO COMBUSTIBLE MATERIALS

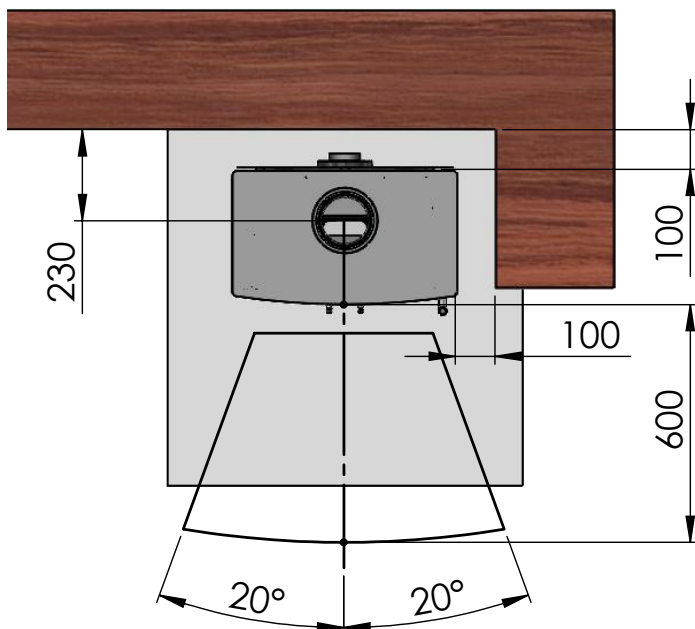
Combustible materials should not be located where the heat dissipating through the walls of fireplaces or flues could ignite it. Therefore when installing the stove in the presence of combustible materials due account must be taken of the guidance on the separation of combustible material given in Building Regulations Approved Document J and also in these stove instructions. The minimum distances to flammable materials are specified on the EN 13240 plate on the back of the stove.

When installing the stove 100mm from a combustible wall behind, use the additional, rear convection panel supplied with the stove, this slots over the rear convection panel providing additional radiant protection from the flue collar. **A twin wall insulated flue should be fitted flush to flue collar for this type of installation.**

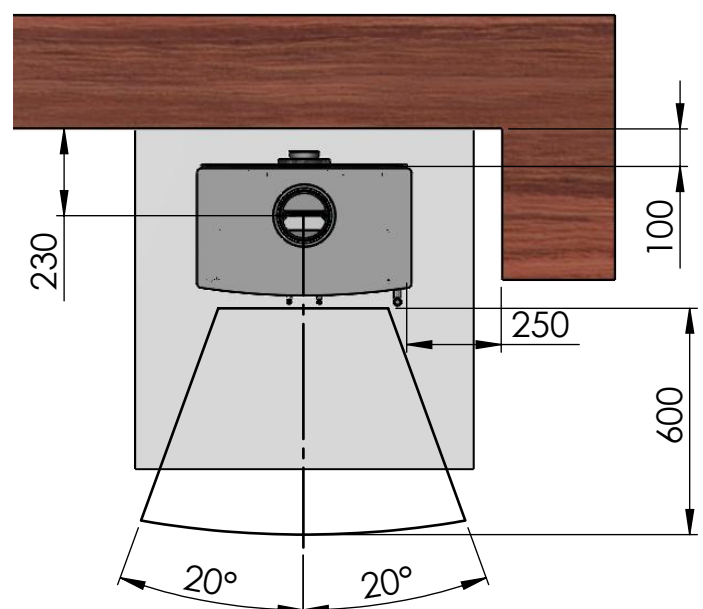
	Minimum Distance to Combustible Materials			Suitable for 12mm non- combustible floor plate
	REAR	SIDES	FRONT	
Woodland	100mm	250mm	600mm	YES
Woodland Convection	100mm	100mm	600mm	YES

PLEASE NOTE THAT A MINIMUM DISTANCE OF 1350mm STD WOODLAND FURNISHINGS SHOULD ALWAYS BE MAINTAINED

Woodland DC Convector Plus
Distance to combustibles rear and sides



Woodland DC
Distance to combustibles rear and sides



MINIMUM DISTANCE TO NON-COMBUSTIBLE MATERIALS

The stove can be recessed in a suitable sized non - combustible fireplace but a **permanent free air gap of at least 50mm** must be left around the sides, the top and the back of the stove; this is to facilitate a reasonable heat output and allows access to the stove for removal and maintenance. **A clearance of 100mm will give a better heat output.**

All non - combustible walls closer than 100mm to the stove should be at least 75mm thick. For practical reasons the back wall of the fireplace recess and the hearth should ideally be made of non -combustible material. When installing your stove in a non combustible chamber, combustible materials should not be located where the heat dissipating through the walls of fireplaces or flues could ignite it. Therefore when installing the stove in the presence of combustible materials due account must be taken of the guidance on the separation of combustible material given in Building Regulations Approved Document J and also in these stove instructions. The minimum distances to flammable materials are specified on the EN 13240 plate on the back of the stove.

To ensure that the stove has sufficient air flow available to it during operation, please allow at least 40mm of clearance from the back of the air intake to the rear wall. This means that if you are installing your stove between 50mm and 100mm away from a non - combustible wall, it may be necessary to remove the intake spigot.

HEARTH

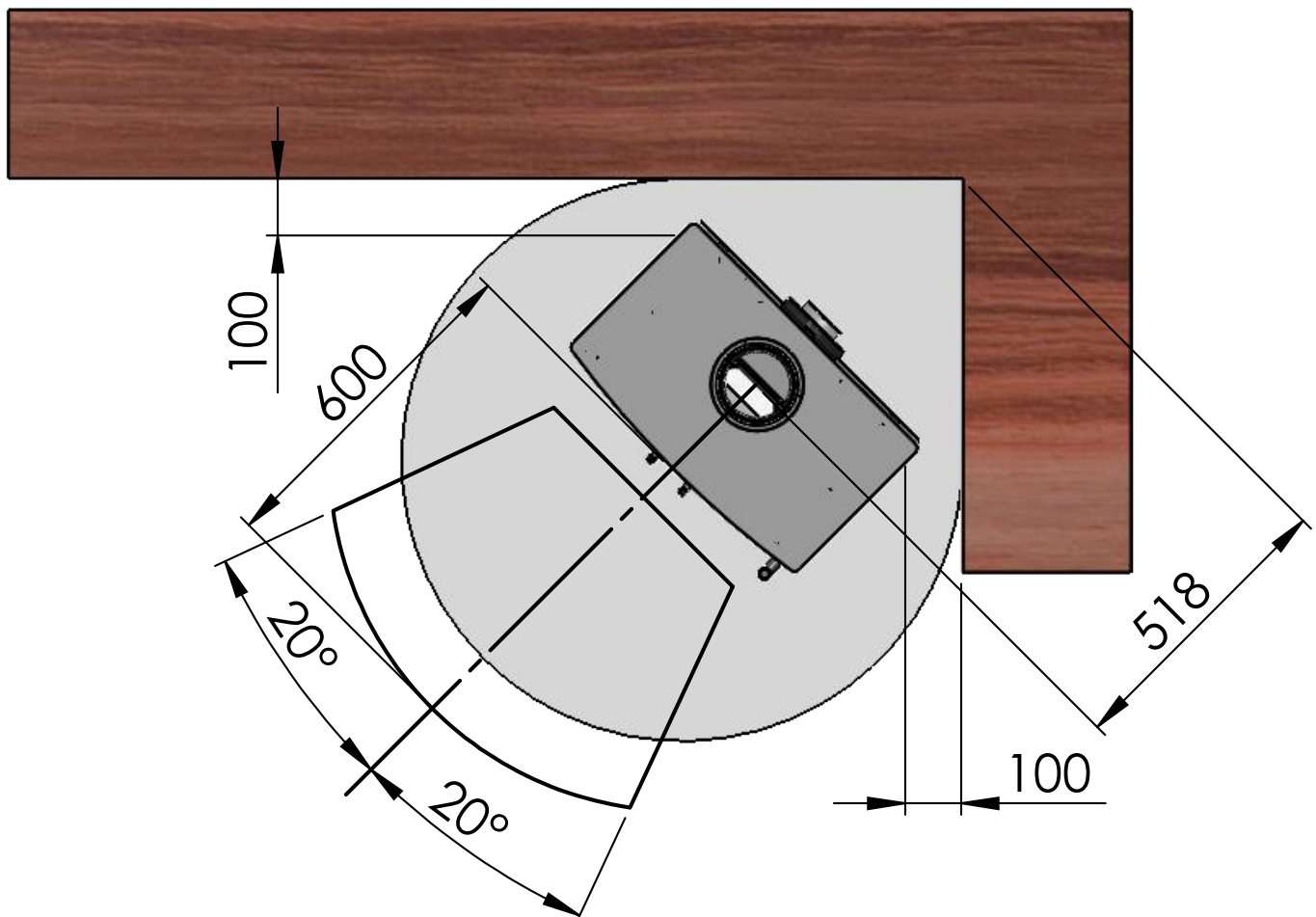
The hearth should be able to accommodate the weight of the stove and its chimney if the chimney is not independently supported. The Woodland stoves have been tested and are suitable to be installed on a 12 mm non combustible plate, such as 12mm glass plates. Installation of all hearths should comply in size and construction so that it is in accordance with the provisions of the current Building Regulations Approved Document J.

The clearance distances to combustible material beneath, surrounding or on the hearth and walls adjacent to the hearth should comply with the guidance on the separation of combustible material given in Building Regulations Approved Document J and also in these stove instructions.

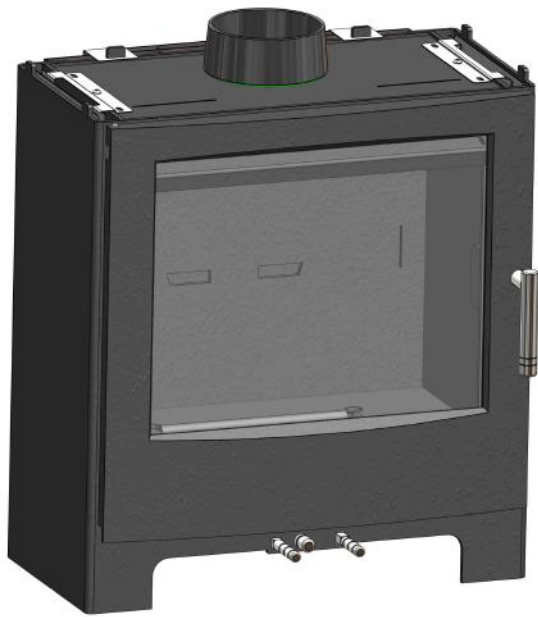
If the stove is to be installed on a combustible (wooden) floor, it must be covered with a non-combustible material at least **12 mm thick**, in accordance with Building Regulations Approved Document J, to a distance of **30 cm in front of the stove** and **15 cm to each side** measuring from the door of the combustion chamber.

INSTALLING THE WOODLAND CONVECTION IN A CORNER POSITION

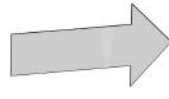
Woodland DC Distance to combustibles installation into a corner position



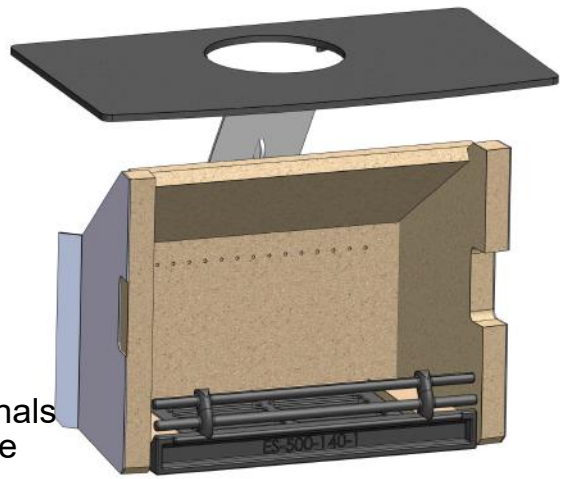
HOW TO FIT A LOGSTORE LEGS- Loxton -Churchill - Woodland



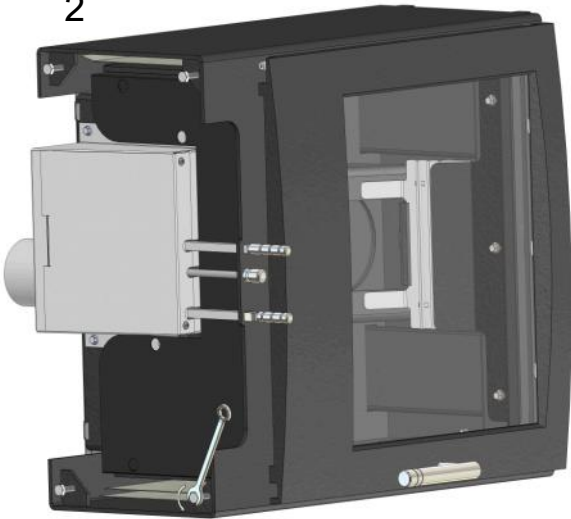
1



Remove internals
and top plate

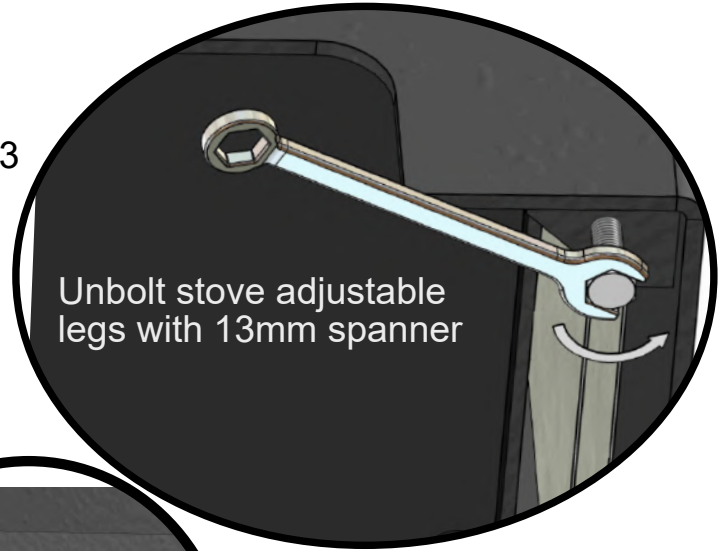


2

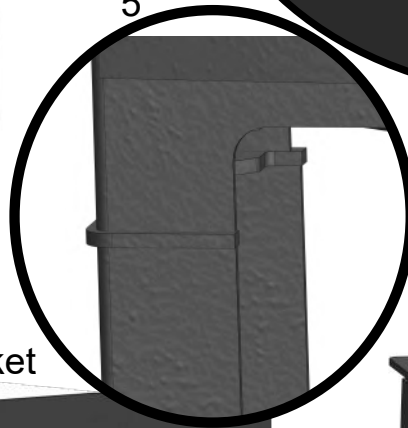


3

Unbolt stove adjustable
legs with 13mm spanner



5

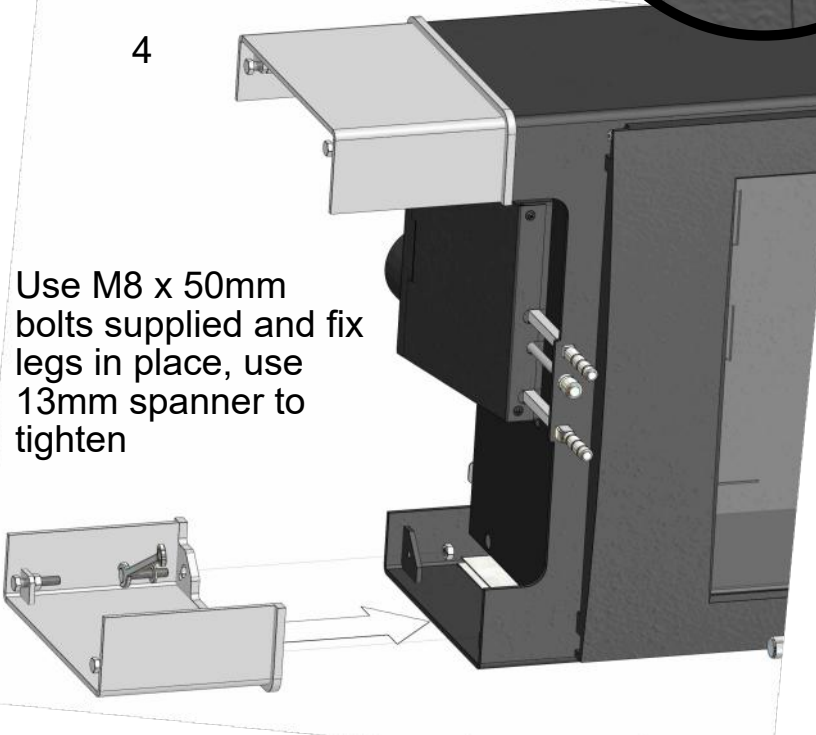


Ensure leg is
aligned with body
before final tighten

Place stove on side to allow leg
installation, protect paint with a blanket

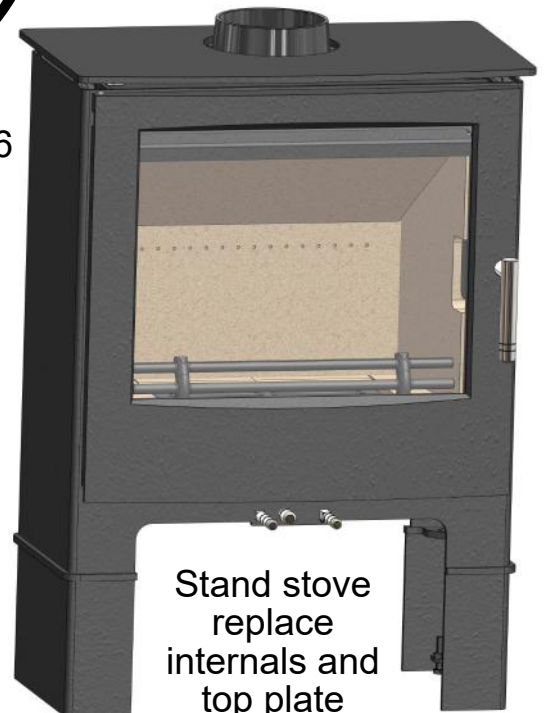
4

Use M8 x 50mm
bolts supplied and fix
legs in place, use
13mm spanner to
tighten



6

Stand stove
replace
internals and
top plate

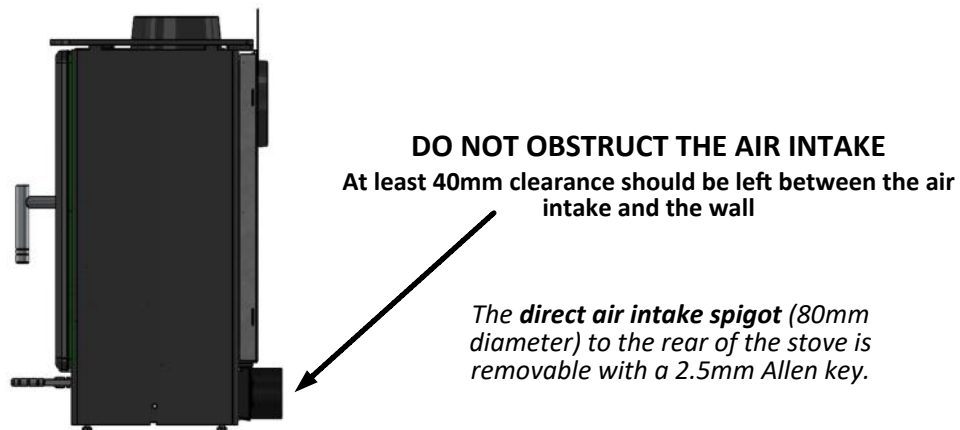


COMBUSTION AIR & PERMANENT AIR VENT

In order for the stove to perform efficiently and safely there should be an adequate permanent air supply into the room in which the stove is installed to provide combustion air. This is particularly necessary if the room is double-glazed or a flue draught stabiliser is operating in the same room as the appliance. The provision of air supply to the stove must be in accordance with current Building Regulations Approved Document J. An opening window is not appropriate for this purpose. Air inlets must be positioned in such a way that they cannot be blocked. An air inlet may be a vent (the vent must be open and the capacity for the vent sufficient when the stove is lit).

Woodland models take all combustion air (primary, secondary & tertiary) from a single 80mm port at the bottom rear of the stove, with the door closed the air port supplies all combustion air for the appliance. This port can be connected to the outside via a 80mm pipe so the appliance does not draw combustion air from the room. However as this stove needs the door to be ajar when lighting and combustion air is taken from the room when reloading. Mendip stoves recommends the use of an additional air vent as laid out in document J.

The stove requires a permanent air vent to the room. This is to provide adequate air supply in order for the stove to operate safely and efficiently. In accordance with current Building Regulations the installer may have fitted a permanent air supply vent into the room in which the stove is installed to provide combustion air. This air vent should not under any circumstances be shut off or sealed.



COMBUSTION CHAMBERS

Mendip Stoves are fitted internally with vermiculite heat deflection panels and baffles, these panels are designed to ensure the maximum efficiency and are an integral part of the clean burn process of the stove. These baffles should not be removed other than for cleaning the stove. Any defective panels should be replaced, (small hairline cracks do not need replacement) however can develop during long term use to a larger crack, if this passes through the vermiculite to the stove body then the panel must be replaced. When refuelling your stove place the wood fuel into the chamber (wearing a glove), impact from logs can cause the heat deflection panel to crack.

Connection to chimney

Mendip Stoves are built with a top flue outlet as standard, this can be altered to a rear connection by removing the top collar, rear cover plate then exchanging collar and plate. Care should be taken to ensure an airtight fit when refitting collar and plate. When installing a rear flue exit model please remove rear cleaning steel plate inside the flue collar box.

A decorative cover plate is included in each stove to cover the hole in the convection top plate. This collar allows connection to either a masonry chimney or a prefabricated factory made insulated metal chimney.

COMMISSIONING AND HANDOVER

Ensure all loose parts (bricks and grates) are fitted in accordance with the instructions given in the instruction booklet. On completion of the installation allow a suitable period of time for any fire cement/silicon and mortar to cure, a small fire may be lit to check that smoke and fumes are taken from the stove up the chimney and emitted safely into the atmosphere.

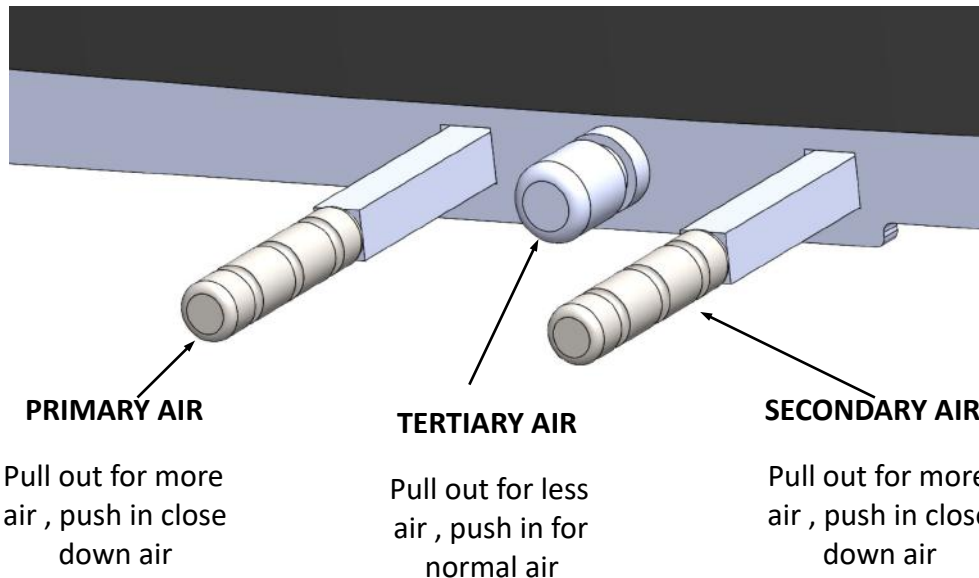
Do not run at full output for at least 24 hours after this appliance has been installed.

On completion of the installation and commissioning ensure that the operating instructions for the stove are left with the customer. Ensure to advise the customer on the correct use of the appliance with the fuels likely to be used in the stove and notify them to use only the recommended fuels for the stove. Advise the user what to do should smoke or fumes be emitted from the stove.

The customer should be warned to use a fireguard to BS 8423:2002 in the presence of children, aged and/or infirm persons.

OPERATING YOUR STOVE -WOODLAND DUAL CONTROL

THE WOODLAND STOVE HAS THREE AIR CONTROL LEVERS TO HELP REGULATE YOUR STOVE.



Air regulation, the three control levers perform differing tasks in regulating the combustion air on your appliance:

Primary air: this is generally used when starting the fire or re igniting the fire. If burning smokeless briquetted fuel then the primary will need to be open. Primary air comes from below the grate.

Secondary air: this is commonly known as air wash, preheated air flows in a continuous thin stream down the glass and into the very heart of the wood fire, when burning wood this should always be open to enable cleaner combustion.

Tertiary Air: this is injected into the rear of the fire chamber above the logs, enabling re combustion of already burnt gases and improving the quality of combustion.

If the stove is to be operated in a Smoke Control Area then this control MUST remain pushed in at all times.

LIGHTING YOUR STOVE FOR THE FIRST TIME

Before lighting your stove for first time make sure you have read this manual fully and acquainted yourself with the controls of this appliance.

Ensure that you have allowed sufficient time for the heat resistant sealant to cure.

The heat-resistant paint on your stove will cure and harden the first time you light your appliance. The curing process produces a good deal of smoke and odour, it is therefore important that the first time you light your stove the room should be well ventilated.

During the process **it is important to open and close the stove door periodically** (every 30mins) during the first couple of firings therefore preventing the door seal cord around the door from sticking and coming away from the door. Once the heat-resistant paint has hardened the smell will disappear.

Your stove is NOT designed to be used with the door open, the stove door must be kept closed except when lighting the stove, adding firewood or removing ash in order to prevent flue gases from escaping.

Use of Fire lighters

Quality Firelighters should be used when lighting your stove. (Never use mentholated spirit, petrol or other flammable liquids). Lighting your stove with firelighters will be more reliable and easier than using paper. Lighting your fire with paper results in excess smoke, more ash and possible blackening of glass.

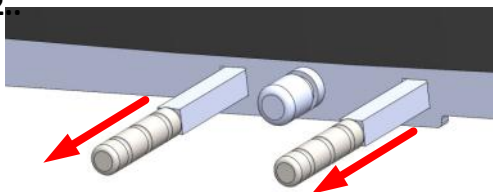
HOW TO LIGHT YOUR WOODBURNING STOVE

1.



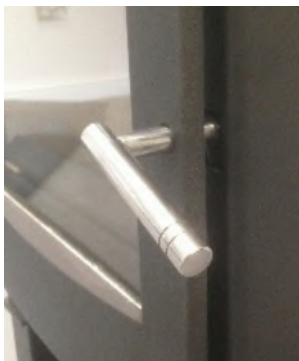
Arrange your Kindling & Logs as shown

2.



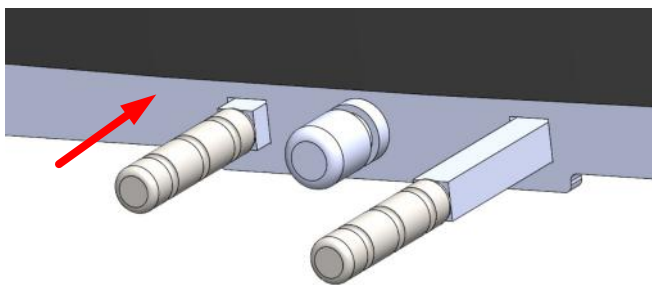
Full Primary and Secondary Air

3.



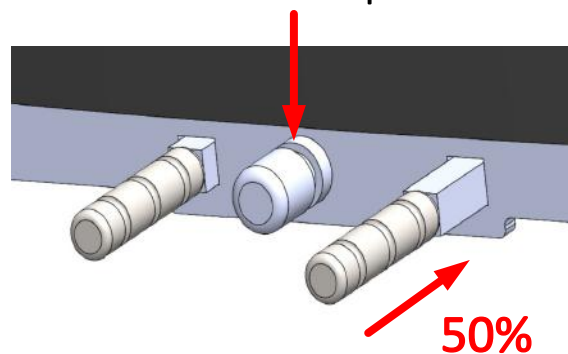
Door Ajar to Aid Start-up

4.



Push in Primary Air Lever Fully

5.



Reduced Secondary Air Supply

Note: If the chimney is externally fitted or the stove has been installed on a larger diameter clay chimney liner then on cold days it maybe necessary to warm the flue using firelighters prior to lighting with wood.

1. Place two small dry split logs (¼ split) on the fire bed. Kindling stacked as in the picture which allows combustion air to flow freely and will aid ignition. On top of the kindling two or more non toxic firelighters.

2. Open fully Primary and Secondary air by pulling out the levers, this provides the stove with a mix of primary and secondary air to help establish the fire.

3. Light the firelighters and push door to closed position, latch in 1st position so the door is open 2 mm. (see picture) This provides additional combustion air for start up and reduces condensation on the door glass.

4. Once the flames from the logs are fully established, this can take up to 10 min's. The door can now be closed. Slide the Primary air inwards to the closed position.

If the stove flames begin to falter and generate smoke in chamber pull out primary lever again to re-establish the fire, it maybe necessary to unlatch the door again until the fire is fully established.

5. Once the fire bed is established close primary air, slide the secondary in by 50%, for the stove to burn cleanly plenty of secondary air is needed, do not be tempted to shut the fire down too early as this may cause smoke. At nominal heat output, expect to refuel your stove approximately once an hour. Check load weights for your model on the table on page 7.

Use the glove when operating air controls and door.

For optimum combustion efficiency the tertiary air control should be pushed in.

**The stove will get very hot during use, therefore due care must be exercised.
Please use the glove when operating air controls, door and ash pan.**

WOOD FUEL

Good quality wood is the most important factor in your stove working efficiently and cleanly. Always use dry split hardwood firewood (moisture content of 20% or less). The dryness of the firewood plays an important role because the use of wet wood results in poor fuel economy and may cause a tarry sooty film on the internals of the stove.

Newly cut wood contains 60–70% water, making it totally unsuitable for use as firewood; it should be stacked and air dried under cover for two years before being used as firewood.

Do not burn liquid fuels, drift wood, finished, sawn wood, pallet wood, chipboard/plywood, varnished wood or plastic coated wood, wood treated with preservatives, or house hold waste.

WARNING NOTE

Properly installed, operated and maintained this stove will not emit fumes into the dwelling. Occasional fumes from de-ashing and re-fuelling may occur. However, persistent fume emission is potentially dangerous and must not be tolerated. If fume emission does persist, then the following immediate action should be taken:-

- (a) Open doors and windows to ventilate the room and then leave the premises.
- (b) Let the fire go out.
- (c) Check for flue or chimney blockage and clean if required
- (d) Do not attempt to relight the fire until the cause of the fume emission has been identified and corrected. If necessary seek expert advice.

The most common cause of fume emission is flue way or chimney blockage. For your own safety these must be kept clean at all times.

CO Alarm

Your installer should have fitted a CO alarm in the same room as the appliance. If the alarm sounds unexpectedly, follow the instructions given under "Warning Note" above.

Aerosols

Aerosols are flammable and therefore dangerous to use around a lit stove. Do not use aerosols sprays near your lit stove. The use of any aerosol is dangerous and care must be taken in handling aerosols.

OPERATING YOUR STOVE

Suitable fuels:- Your stove is tested to burn wood or registered smokeless briquetted fuel. Wood briquettes can also be burnt but special account should be taken of fuel weight. For a full list of suitable fuels, check with the official solid fuels approvals body, HETAS or Solid Fuel Association. Do not overload stove as this can cause excessive heat and damage the stove (see table on page 7).

Wood and smokeless briquetted fuel should not be burned at the same time as they require a different air supply for them to burn cleanly and efficiently. Wood requires predominantly secondary air and smokeless fuel predominantly primary air. If you want to change fuel type, wait until the stove requires refuelling and then refuel with wood or smokeless briquetted fuel and adjust the air controls accordingly.

ALWAYS KEEP FUEL LOAD BELOW TERTIARY PORTS AT REAR OF STOVE. Only use fuels approved for use on heating stoves.

Do not burn liquid fuels, drift wood, finished wood, sawn wood, pallet wood, chipboard/plywood, varnished wood or plastic coated wood, wood treated with preservatives, or any house hold waste.

DO NOT EXCEED SPECIFIED FUEL WEIGHTS (SEE page.7).

DO NOT RUN AT FULL OUTPUT FOR EXTENDED PERIODS OF TIME.

DO NOT BURN HOUSE COAL. DO NOT BURN HOUSEHOLD WASTE.

THIS APPLIANCE IS NOT AN INCINERATOR.

MENDIP STOVES RECOMMEND THE USE OF A FLUE THERMOSTAT TO CHECK YOUR STOVE IS NOT OVERHEATING. PLACE FLUE THERMOSTAT DIRECTLY ABOVE COLLAR OF STOVE AND REFER TO TEMPERATURE GAUGE ON PAGE 6.

RE-FUELLING WHEN BURNING WOOD

Adding fuel to your stove when you only have glowing embers, and the flames have died down, is the cleanest way to refuel your stove.

1. Before refuelling, Pull open both the Primary and Secondary controls fully.
2. Unlatch the door to equalise the pressure inside the stove with that of the room.
3. Then, open the door gently.
4. If it is necessary, use a poker to create a level bed before adding a piece of wood below the level of the tertiary air ports (please check weight table page 7).
5. Now, close the door.
6. Once the flames are fully established, close Primary air fully and close Secondary air to the nominal position halfway in (50% air supply). **For optimum combustion efficiency the tertiary air control should be pushed in.**

Please regard these instructions as guidelines because each installation will be slightly different. Experience will determine the settings that produce best results.

To prevent overheating your appliance we recommend that you use a flue thermostat (placed on a non insulated section of pipe directly above the collar of the stove).

The efficient operating temperature range is between 180°C and 250°C

These stoves are not designed to run overnight or for long periods unattended (see page 15)

INCOMPLETE COMBUSTION

Incomplete combustion may lead to a build-up of hard, shiny soot on the inside of your stove and glass. It is generally the results of an insufficient air supply to the combustion chamber. If you find that this build-up is occurring to your Mendip Stove, you should:

1. Increase the amount of secondary air used when running the stove, ensure tertiary air control pushed in fully.
2. Check that the fuel you use is suitable and dry (less than 20% moisture content).
3. Check that your flue system (chimney) is producing sufficient draught.

It is important to check the draft conditions before lighting your stove. This may be done, for instance, by crumpling a piece of newspaper, placing it in the combustion chamber and lighting it. The draft conditions are good if the smoke is drawn away through the chimney.

TROUBLE SHOOTING

1. Fire Will Not Burn - check

- a) the air inlet is not obstructed in any way,
- b) that chimney and flue ways are clear,
- c) that a suitable fuel is being used,
- d) that there is an adequate air supply into the room,
- e) that an extractor fan is not fitted in the same room as the fire.

2. Fire Blazing Out Of Control - check

- a) the doors are tightly closed,
- b) the air controls are turned down to the minimum setting,
- c) the flue damper is closed (if fitted),
- d) a suitable fuel is being used,
- e) the door seals are in good condition,
- f) the chimney draft may be too strong
- g) check ash pan seal and
- h) check for ash below ash pan causing pan to seat incorrectly and clean out.

3. Soot forms on the window

- a) The firewood may be too wet
- b) the intake of secondary air may be insufficient
- c) fire not hot enough

4. The stove fails to heat fully

- a) The firewood may be too wet
- b) the intake of secondary air may be insufficient

5. Smoke or odour

- a) weak chimney draft
- b) check for blockages in the flue pipe/chimney
- c) check the height of the chimney relative to the surroundings

6. Soot in the chimney

- a) The firewood may be too wet
- b) intake of secondary air may be insufficient

LIGHTING THE STOVE - SOLID FUELS

SOLID SMOKELESS FUELS (Smokeless briquetted fuel)

The Woodland model is suitable for use with good quality smokeless fuels (Smokeless briquetted fuel) and has been fully tested to the relevant European standard. Only use registered smokeless fuels on this stove. Take special note of load quantities (page 7).

Note: on cold days it maybe necessary to warm the flue using two firelighters.

1. Place Firelighters and a few smaller pieces of dry wood (kindling) among a small quantity of fuel in the combustion chamber.
2. Fully open (pull out) Primary and Secondary air, the stove now has total primary and secondary air for start up.
3. Using long match light the firelighters and securely close door.
4. Once the fire is established, open the door and add a full load of fuel (see weight table on page 7)
Do Not Overload. Do not cover the tertiary air ports.
5. Close fire door and adjust Primary air to about 80% open and the Secondary air 10% open.
6. Once the additional fuel is burning, adjust the amount of primary air entering the combustion chamber to your personal preference.

Please regard these instructions as guidelines because each installation will be slightly different. Experience will determine the settings that produce best results.

To prevent overheating your appliance we recommend that you use a flue thermostat (placed on a non insulated section of pipe directly above the collar of the stove).

The efficient operating temperature range is between 180°C and 250°C

These stoves are not designed to run overnight or for long periods unattended (see "Overnight Burning")

To Re-fuel Your Stove Using Solid Fuel:

1. Your stove will need to be refuelled approximately every 2 hours (see page 7.)
2. Before refuelling, open the control to full primary air.
3. Then slowly open door to allow the pressure to equalise between the inside of the stove and the room.
4. Once the door has been opened, de-ash your stove with use of poker (not provided).
5. Add fuel (see weight table on page 7), ensuring the fuel is placed below the level of the tertiary air ports.
6. Finally, close the door and when then fire has re-established reduce the primary air supply to your preferred settings.

**PLEASE USE A HEAT RESISTANT GLOVE WHEN OPERATING THE AIR CONTROLS, DOOR AND ASH PAN,
AS THE APPLIANCE WILL BECOME VERY HOT.**

**HOUSE COAL AND PETROLEUM COKE ARE NOT SUITABLE FOR USE
ON THIS STOVE; ITS USE WILL INVALIDATE THE GUARANTEE.**

OVERNIGHT BURNING

Mendip Stoves do not recommend burning registered smokeless briquetted fuel in a slumbering position, Mendip stoves are designed to burn wood or quality registered smokeless fuels. Wood burns more efficiently and cleanly if it is burnt hotter. Mendip stoves do not recommend that their stoves are burnt overnight for this reason.

As a night time regime we recommend that the fire is loaded when hot and burnt for five minutes with the secondary air control fully open, until the new wood has taken and is burning, Then place the Secondary Air to 50%. On returning to the stove in the morning the fire will have burn out, reload with some paper (or a firelighter) and some kindling, Fully open the Primary and Secondary air controls and the fire should relight quickly. **Beware as the ash bed will have hot embers.**

MAINTENANCE

Mendip stoves recommends that your model needs to have the ash removed from the stove at regular intervals (weekly if used daily). Allowing the ash pan to over flow can impede the function of the stove and can cause possible damage to the stove grate and ash pan. To remove ash pan, use heat protecting glove provided. Lift and pull out of firebox chamber. Take care to support ash pan during movement. Make sure the stove is completely cold before cleaning out ash (embers can remain hot for over 24 hours). Ash must be stored in a non-combustible container and must not be mixed with other combustible waste.

Annual service

The stove should be serviced by a registered dealer once a year. The stove, the flue pipe connection and the chimney should be checked regularly by a qualified engineer. The chimney should also be checked for blockages before relighting the stove if it has not been used for an extended period of time. Insulating fire bricks checked for wear and replaced if necessary door and ash pan rope seals should be changed annually, glass clamps & glass should be checked making sure glass is correctly positioned.

To clean the inside of the stove, remove all ash, soot and tar residue from the combustion chamber. Remove insulated chamber panels and baffle, dirt and soot will collect behind it and this must be cleaned out. The paint can wear thin in exposed places due to overheating. This, and other lacquer damage, may be repaired using Mendip paint spray available from your Mendip dealer. To clean the outside of the stove use a dry cloth.

Your stove should be serviced annually by a registered dealer as a condition of the extended warranty of the stove, failure to maintain a service record will invalidate the extended warranty on your stove.

Prolonged non use (summer)

If the stove is to be left unused for a prolonged period of time (e.g. over the summer) then it should be given a thorough clean to remove ash and un-burnt fuel residues. To enable a good flow of air through the appliance to reduce condensation and subsequent damage, leave the air controls fully open.

It is important that the flue connection, any appliance baffles or throat plates and the chimney are swept prior to lighting up after a prolonged shutdown period.

Spare parts & unauthorised alterations

Only the manufacturer's own components, or replacement parts recommended and approved by Mendip stoves, shall be used for appliance servicing and repair. Any unauthorised alterations will invalidate the stove warranty and compliance with EN13240.

SWEEPING YOUR CHIMNEY & CHIMNEY FIRES

Ensure that your appliance, flue ways and chimney are swept regularly. This can be incorporated in the service regime of your appliance. Regular sweeping is essential and means at least once a year for smokeless fuels and a minimum of twice a year for wood. If a throat plate is incorporated, it is essential that the throat plate is removed and cleaned above, all ash and debris should be removed. Ensure adequate access to cleaning doors where it is not possible to sweep the chimney through the appliance.

Where a chimney has served an open fire installation previously it is possible that the higher flue gas temperature from a closed appliance may loosen deposits that were previously firmly adhered, with the consequent risk of flue blockage. It is therefore recommended that the chimney be swept a second time within a month of regular use after installation of the stove.

Chimney Fires

If the chimney is thoroughly and regularly swept, chimney fires should not occur. However, if a chimney fire does occur turn the air control setting to the minimum, and tightly close the doors of the stove. This should cause the chimney fire to go out in which case the control should be kept at the minimum setting until the fire in the stove has gone out. The chimney and flue ways should then be cleaned. If the chimney fire does not go out when the above action is taken then the fire brigade should be called immediately.

After a chimney fire the chimney should be carefully examined for any damage. Expert advice should be sought if necessary.

BURNING WOOD IN A SMOKE CONTROL AREA

You must purchase a smoke exempt version of a Mendip Stove; the tertiary air control should be pushed in fully at all times to comply with regulations. Any alteration to this setting will invalidate the stoves compliance for smoke control areas.

The Clean Air Act 1993 and Smoke Control Areas

Under the Clean Air Act local authorities may declare the whole or part of the district of the authority to be a smoke control area. It is an offence to emit smoke from a chimney of a building, from a furnace or from any fixed boiler if located in a designated smoke control area. It is also an offence to acquire an "unauthorised fuel" for use within a smoke control area unless it is used in an "exempt" appliance ("exempted" from the controls which generally apply in the smoke control area). In England appliances are exempted by publication on a list by the Secretary of State in accordance with changes made to sections 20 and 21 of the Clean Air Act 1993 by section 15 of the Deregulation Act 2015. Similarly in Scotland appliances are exempted by publication on a list by Scottish Ministers under section 50 of the Regulatory Reform (Scotland) Act 2014. In Wales and Northern Ireland these are authorised by regulations made by Welsh Ministers and by the Department of the Environment respectively.

Further information on the requirements of the Clean Air Act can be found here:

<https://www.gov.uk/smoke-control-area-rules>

Your local authority is responsible for implementing the Clean Air Act 1993 including designation and supervision of smoke control areas and you can contact them for details of Clean Air Act requirements.

The Woodland Mk.4 SE and Woodland Large stoves have been recommended as suitable for use in smoke control areas when burning wood logs. The appliances can also burn authorised fuels in smoke control areas. More information regarding authorised fuels can be found at <https://smokecontrol.defra.gov.uk/fuels.php>.

The SE appliances include a modified air control to prevent closure of the secondary air control beyond 25% open (11mm) **alterations should not be attempted.** Mendip Stoves smoke control stoves should not be burnt with the door left open.

The refuelling procedure :

Allow the newly charged fuel to burn with the secondary air control set at maximum for up 3 to 4 minutes. After this period, with flames from the logs fully established, close the secondary air supply to the low output setting. When operating at high output (secondary air set fully open) the new refuel charge does not require any boost air to establish combustion.

Refuelling on to a low fire bed

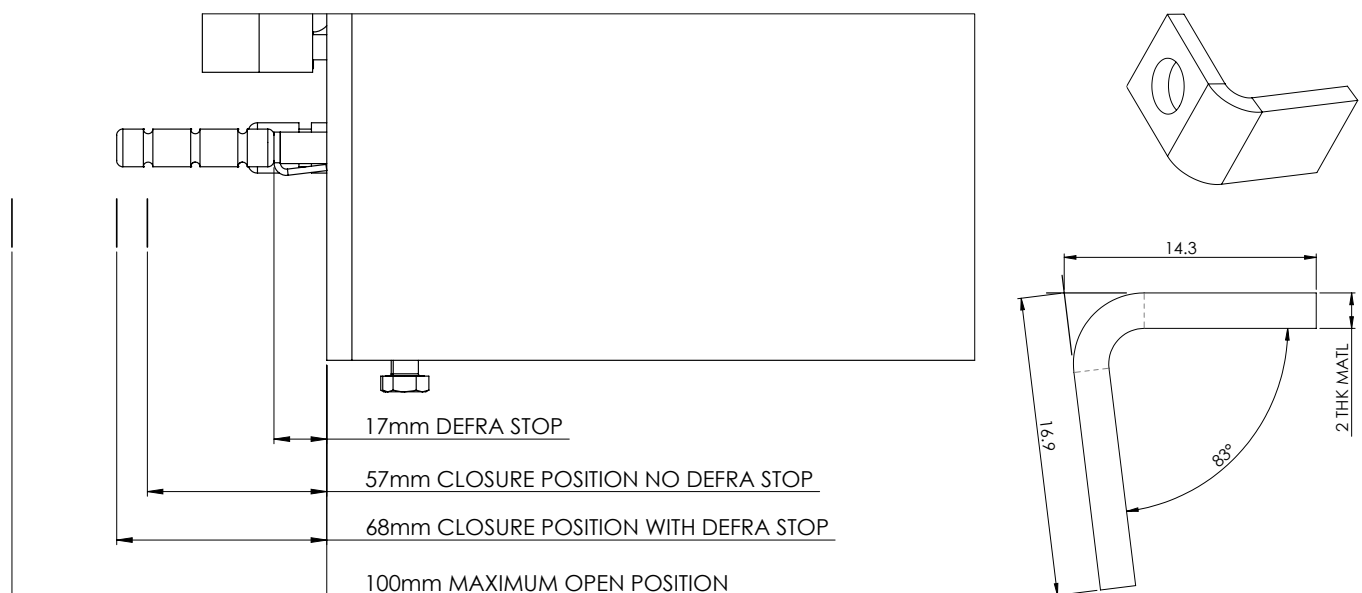
If there is insufficient burning material in the fire bed to light a new fuel charge, excessive smoke emission can occur. Refuelling must be carried out onto a sufficient quantity of glowing embers and ash that the new fuel charge will ignite in a reasonable period. If there are too few embers in the fire bed, add suitable kindling to prevent excessive smoke.

Fuel Overloading

The maximum amount of fuel specified in this manual should not be exceeded, overloading can cause excess smoke.

Air controls & doors left open

Operation with the air controls fully open can cause excess smoke. The appliance must not be operated with air controls, appliance dampeners or the door left open except as direct in the instructions.



STOVE PARTS, COMBUSTION CHAMBER, ASSEMBLY

This section shows the parts contained in your stove, each stove has over 80 spare-parts and, each part is detailed. When new parts are required the section will allow spares to be recognised and ordered. As a further source of reference please visit www.eurostove.co.uk for latest spare-part information.

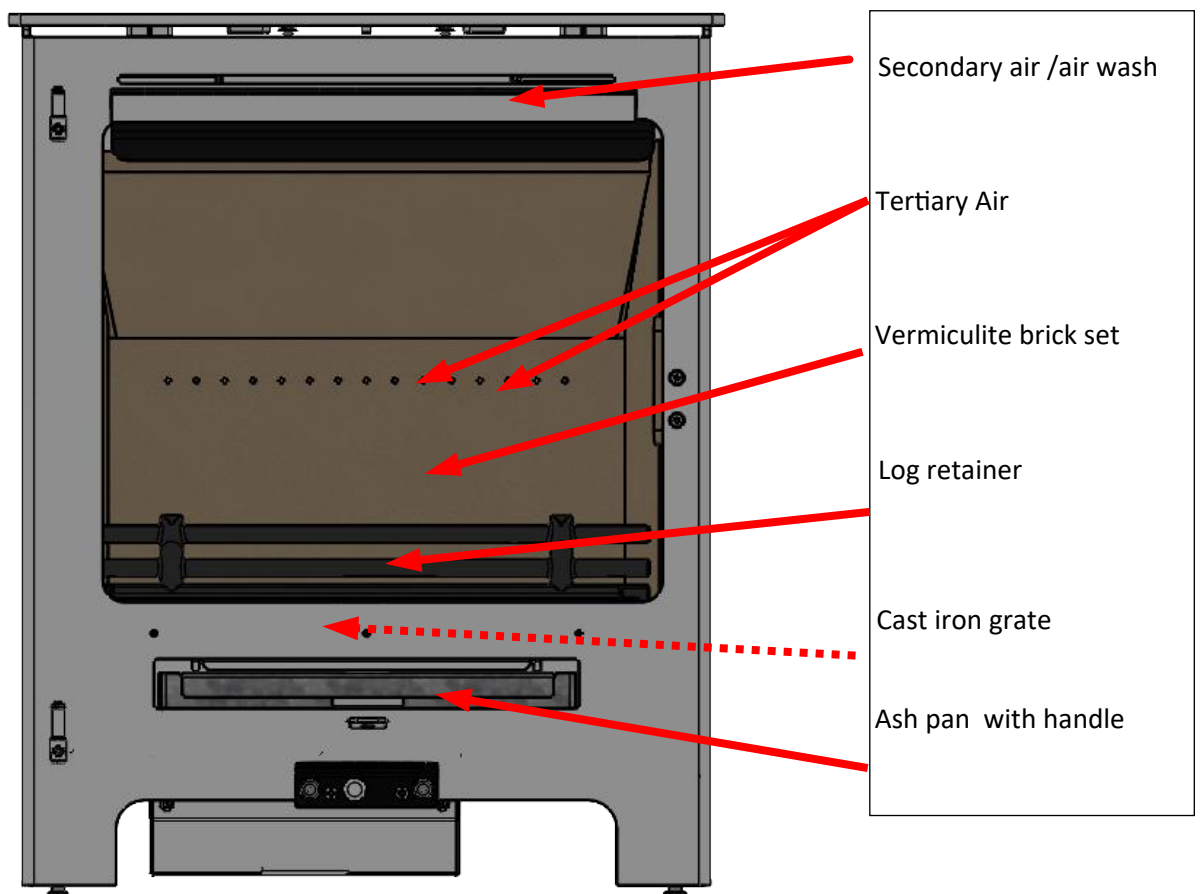
LOOSE PARTS

Always use the operating tools provided when handling parts likely to be hot when the stove is in use. Your stove has the following parts in the stove.

- 1) Cast Iron grate & log retainer.
- 2) Ashpan & Ashpan tool
- 3) Stove Glove
- 4) Top plate decorative cover plate.
- 5) Instruction manual & warranty card
- 6) Vermiculite brick linings (these are integral to the stoves performance-Do not throw away)
- 7)Moisture absorbency bag
- 8) Flue heat deflection panel



COMBUSTION CHAMBER



HOW TO REMOVE THE INTERNAL BRICK PARTS



To remove the vermiculite brick set take the following steps:

Lift out the 2 base bricks next to the grate.

Remove the left hand vermiculite side brick by lifting the top baffle brick and pulling the side brick down from the top.



It is now possible to remove the top baffle brick by lifting up the left side and sliding it to the left then dropping it down.

The right hand side brick can be removed by gently pulling it down from the top.

You may find it easier to remove the cast iron grate Before finally removing the rear brick.



To remove upper steel baffles/ turbulence plates

Firstly lift the upper, ribbed, turbulence plate, slide forwards towards the front of the stove.

This will create enough space to allow the plate drop down so that the baffle can be removed.

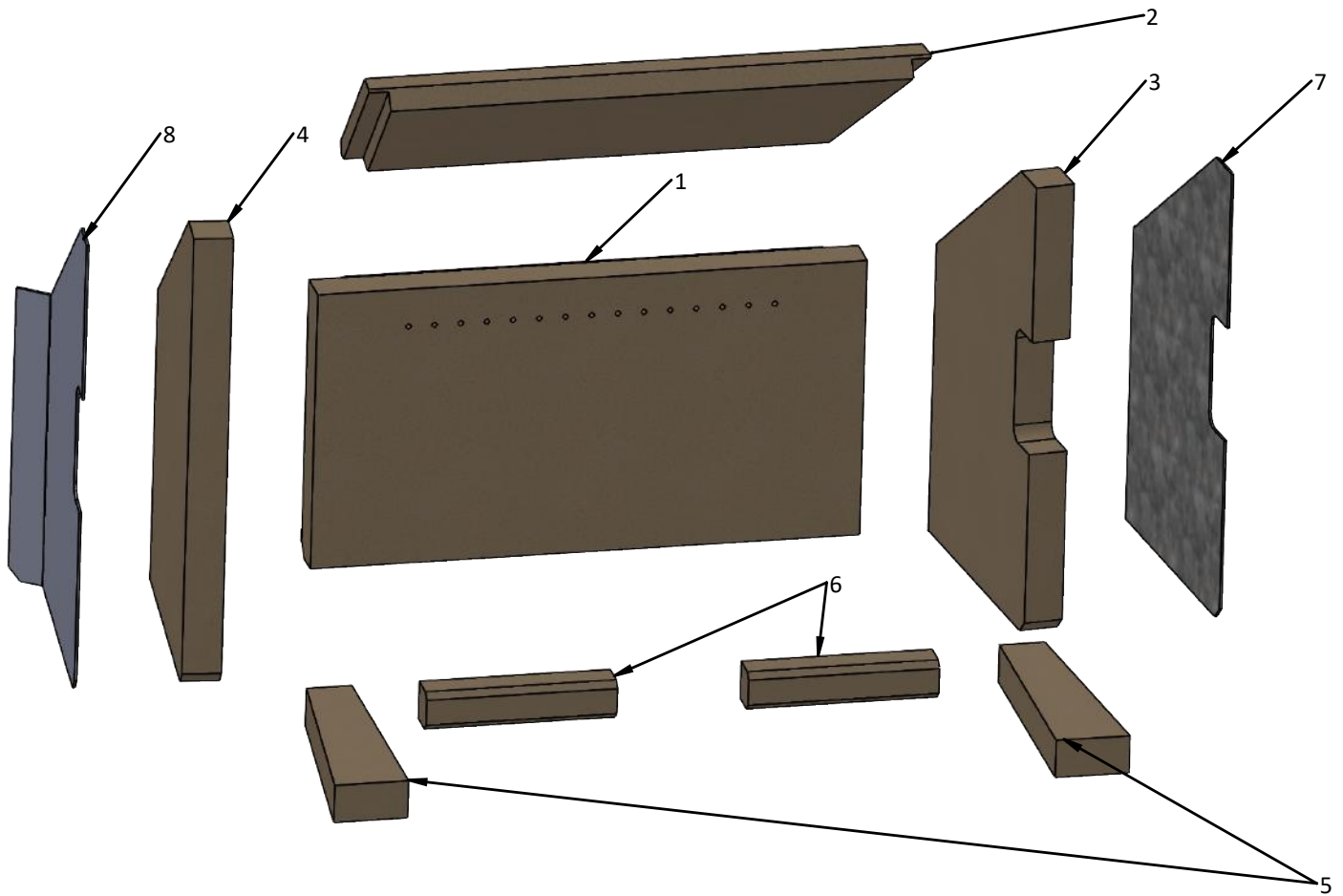


To remove rear steel baffle is Simply push this away from The holding frame, which it rests on, and twist it to fit through the opening.

You now have access to the flue system, whether the collar is situated on the top or to the rear of your stove.



VERMICULITE BRICK SET PART NUMBERS



VERMICULITE BRICKS REFERENCE TABLE

Diagram No.	Part No.	Description	No. Of Parts
	ES-500-400-1	Full Brick Set - Loxton 5	8
1	ES-500-412-1	Rear Brick	1
2	ES-500-413-1	Baffle Brick	1
3	ES-500-414-1	Right Side Brick	1
4	ES-500-415-1	Left Side Brick	1
5	ES-500-417-1	Base Brick Side	2
6	ES-500-417-2	Base Brick Rear	2
7	ES-500-420-0	RH Spacer	1
8	ES-500-421-0	LH Spacer	1

WOODLAND DOOR ASSEMBLY - (complete door assembly M?????-0?-00-00-??)

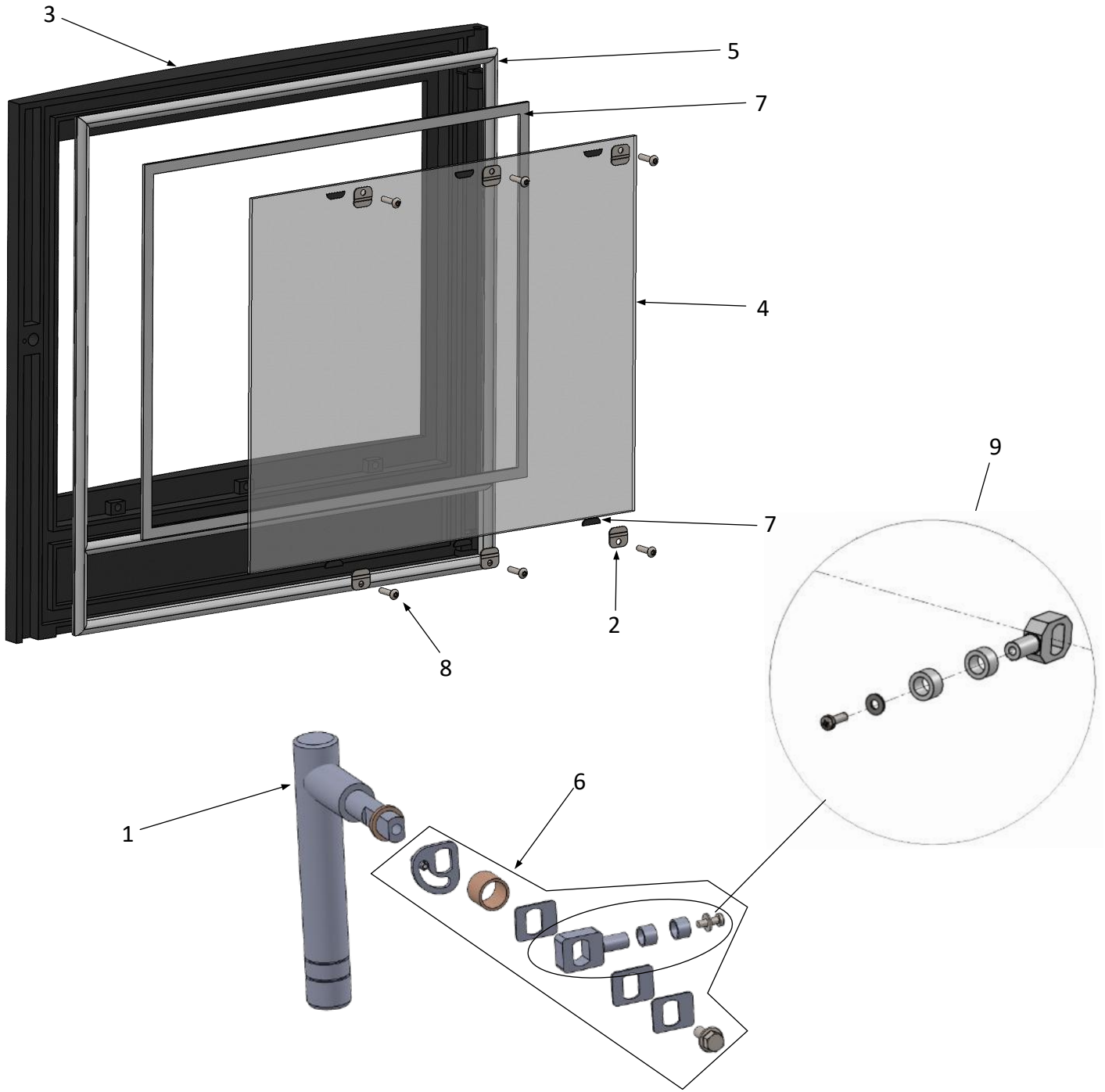
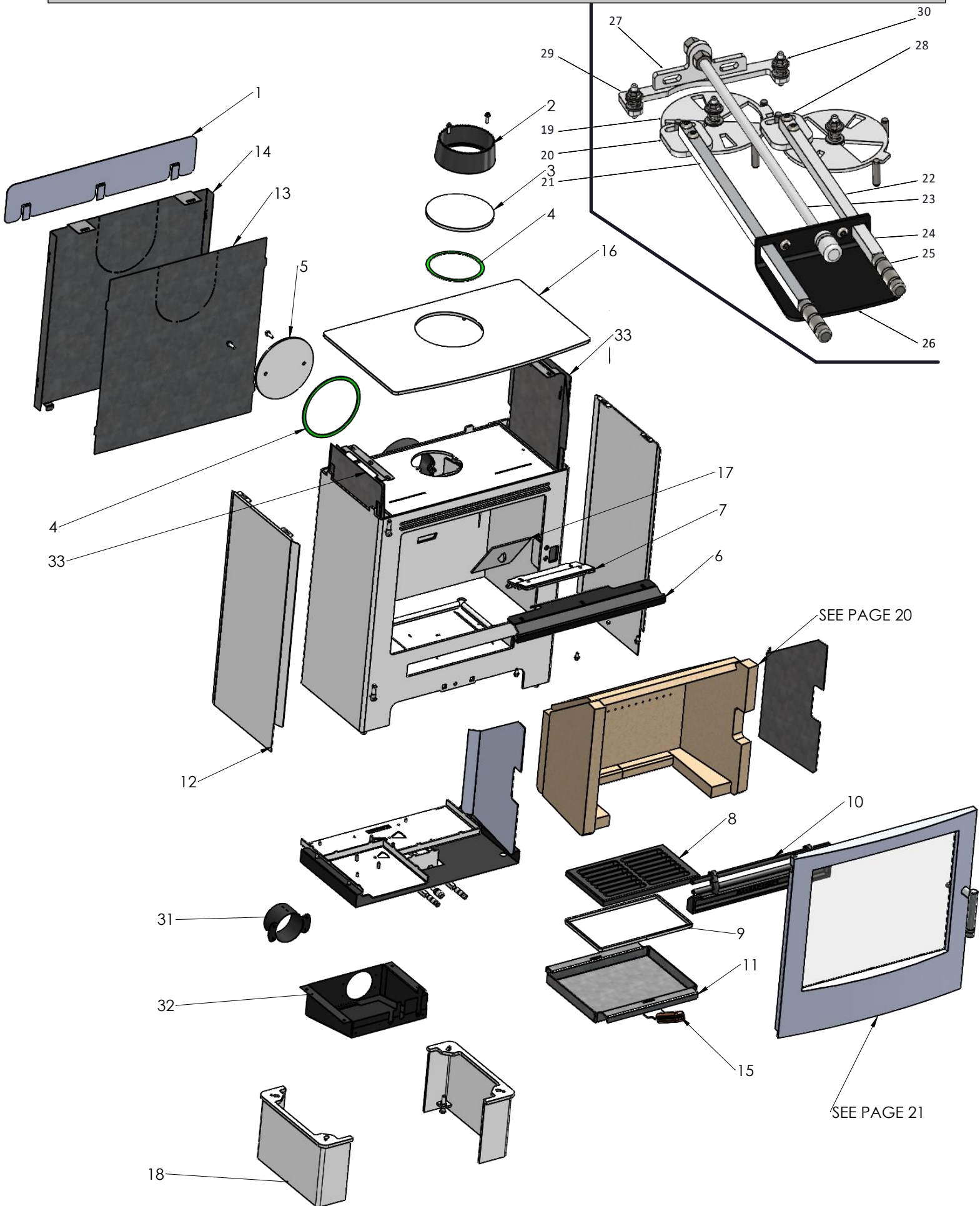


Diagram No.	Part No.	Description
1	ES-500-209-0	Door Handle
2	CH-500-120-0	Glass Clamp
3	ES-500-220-0	Cast ODoor Frame (only)
4	ES-500-501-0	Glass
5	M90520-06-02-01-05	Door Rope Seal Kit
6	M90520-06-13-99-02	Handle Fixing Kit (complete)
7	M90026-01-02-01-04	Glass Seal Kit (incl. 6 Clamp Pads)
8	U91000-98-12-99-00	M5 X 8mm screw (6)
9		Handle Latch Assembly

STOVE PART NUMBERS



STOVE PART NUMBERS

Diagram No.	Part No.	Description
1	ES-500-187-0	Top Flue Rear Convection Panel
2	EST_2051_000_11_3	Flue Collar
3	M90500-07-03-00-04	Flue Cover Plate
4	M90500-07-10-01-01	Collar/Blanking Plate Seal
5	ES-500-142-0	Flue Blanking Plate
6	CH-500-180-0	Secondary Air Smoke Deflector
7	ES-500-117-0	Turbulence Plate
8	B90300-05-01-00-00	Grate
9	ES-500-147-0	Grate Support
10	ES-500-140-1	Log Retainer
11	ES-500-703-0	Ash Pan
12	ES-500-612-0 (R)/ ES-500-611-0 (L)	Convector Side Panel Right/ Left
13	ES-500-614-0	Rear Inner Heat Shield
14	ES-500-613-0	Rear Outer Heat Shield
15	ES-500-703-0	Tool
16	ES-500-194-0	Top Plate
17	ES-500-109-0	Cleaning Access Plate
18	CH-500-164-0	Logstore Base
19	ES-500-152-1	Air control wheel (primary /secondary)
20	ES-500-154-1	Guide Bracket
21	CH-500-125-0	Secondary Slider Bar
22	CH-500-123-0	Primary Slider Bar
23	ES-500-133-0	Tertiary air adjustment shaft
24	ES-400-172-0	Tertiary Knob
25	ES-300-711-3	Primary /Secondary knob
26	CH-500-119-0	Lever cover shield
27	ES-500-122-0	Tertiary air slider
28	ES-500-154-1	Air adjustment block
29		Tension spring
30		M5 lager washer / m5 nut
31	ES-500-130-0	Air inlet assembly
32	ES-500-128-0	External air box assembly
33	ES-500-600-0	Internal convector panels

Declaration of Performance DOP

NO:	DOP 7
Product type:	Freestanding stove
Type, batch or serial number:	Woodland DC
Intended use of the product:	Heat distribution/room heating. Without hot water supply.
Name and Address of the manufacturer:	Mendip Stoves Eurostove Ltd Unit H1, Mendip Industrial Estate, Rooksbridge, Somerset TA9 4NG
AVCP: <i>System(s) of assessment and verification of constancy of performance (AVCP) of the construction product as set out in CPR, Annex V</i>	System 3 ISO 9001 CA15256
Notified body: Kiwa Gastec, Kiwa House, Bishops Cleeve, Cheltenham, GL52 7DQ, UK Test report no: 61511-1	NB 0558 KIWA UK No 61511-1 (wood) NB 0558 KIWA UK No 61511-1 (maxibrite)
Declared performance:	
Harmonized technical specification	EN13240:2001/A2:2004/AC2007
Essential characteristics	Performance
Fire safety	
Reaction to fire	AI
Distance to combustible materials	Minimum distances, in mm Rear – 100mm Side = 250mm std , Side with flat convector panel = 100mm,
Risk of burning fuel falling out	NPD
Emission of combustion products	CO [0,09%](w) [0,08%] (maxibrite) NOx [103 mg/Nm3] (w) [135 mg/Nm3] (maxibrite) OGC [74 mgC/Nm3](w) [61 mgC/Nm3] (maxibrite) Dust [27 mg/Nm3] (w) [17 mg/Nm3] (maxibrite)
Surface temperature	Pass
Electrical safety	-
Clean ability	Pass
Maximum water operating pressure	-
Flue gas temperature at nominal heat output	T [238°] (w) T [248°] (maxibrite)
Mechanical resistance (to carry a chimney/flue)	NPD
Thermal output	
Normal heat output	5.0 kW (w) 4.9 kW (maxibrite)
Room heating output	5.0 kW (w) 4.9 kW (maxibrite)
Water heating output	N/A -*kW
Energy efficiency	r [79.5%] (W) [76.4%] (maxibrite)

Rooksbridge March 2022

Chris Baines

17/05/2022

(Date and place of Issue)

Signature

DECLARATION: The performance of the product identified in points 1 and 2 in conformity with the declared performance in point 8. This declaration of performance is issued under the sole responsibility of the manufacturer identified in point 4.

Signed on behalf of the manufacturer

Chris Baines

Director

Eurostove Ltd, Unit H1, Mendip Industrial Estate, Rooksbridge. Somerset. TA9 4NG

Tel: 01934 750500 E-mail: info@eurostove.co.uk

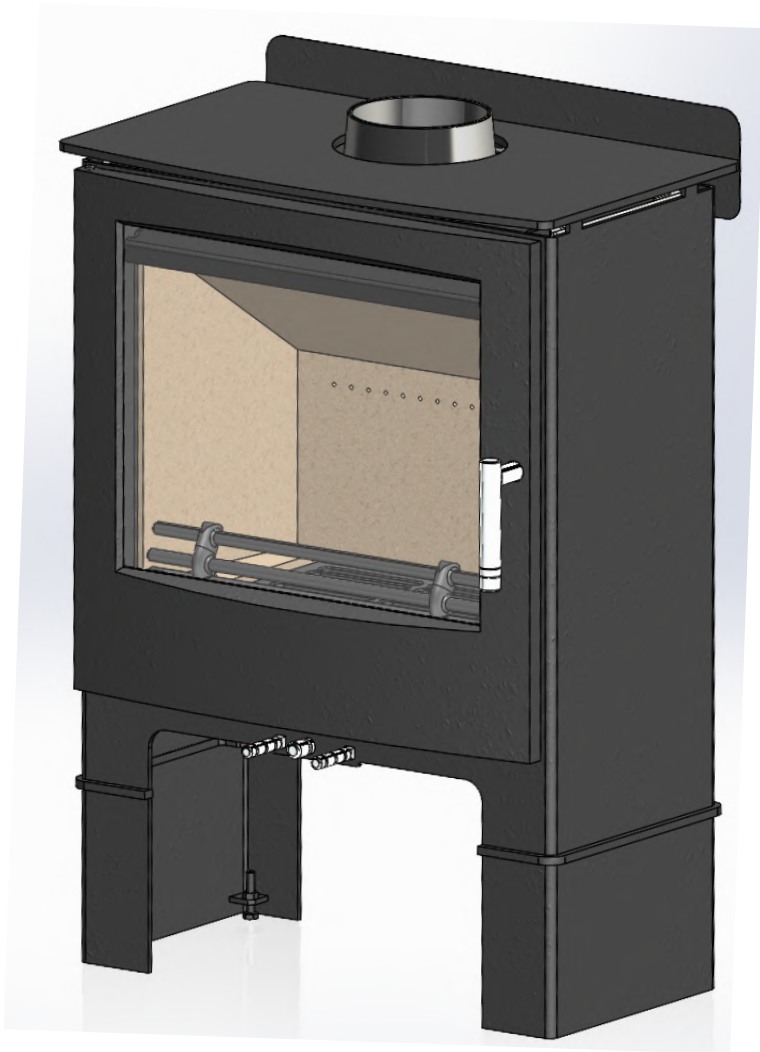


Mendip Stoves
Unit H1
Mendip Industrial Estate
Mendip Road
Rooksbridge
Somerset
BS26 2UG

Website
www.mendipstoves.co.uk

Email
info@eurostove.co.uk

Telephone
01934 750 500



Woodland DC std - Version 2.1 - May 2022

