

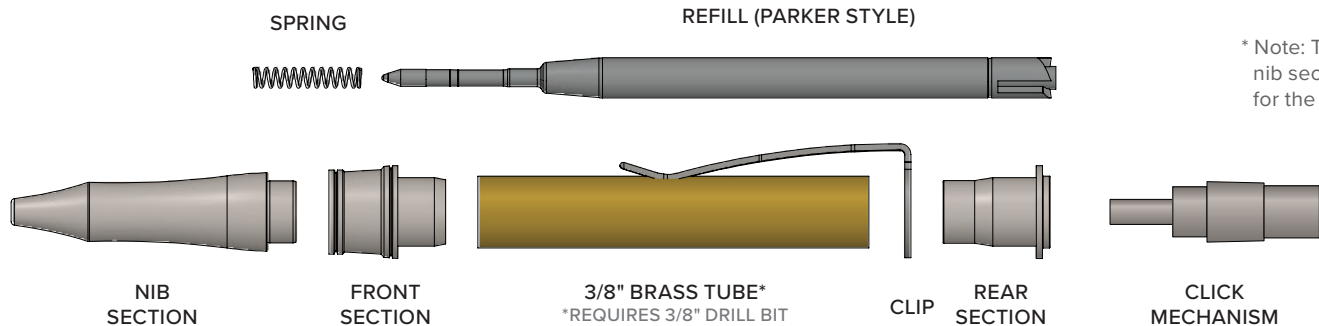
COYOTE PEN KIT - ASSEMBLY INSTRUCTIONS

1: Cut a blank to approximate length (at least 64mm or 2 5/8") then drill with 3/8" drill bit before gluing in brass tube. We recommend using epoxy for best results.

2: Carefully sand or trim blank flush with brass tube. Excessive trimming could result in the refill sticking out too far.

3: Using a mandrel or centers, turn the blank on your lathe to the diameter of the bushings.

4: After finishing the turned blank, carefully press the front section into the smaller diameter (.440") end of the blank.



* Note: The smaller bushing (1 line) is for the nib section, the larger bushing (2 lines) is for the finial.

5: Place the rear section piece through the hole in the clip and press into the larger diameter side of the blank (.476")

6: Screw the Schmidt Click Mechanism into the rear section.

7: Put the refill into the pen from the front section, place the spring on the end of the refill, and screw the nib section onto the pen.

