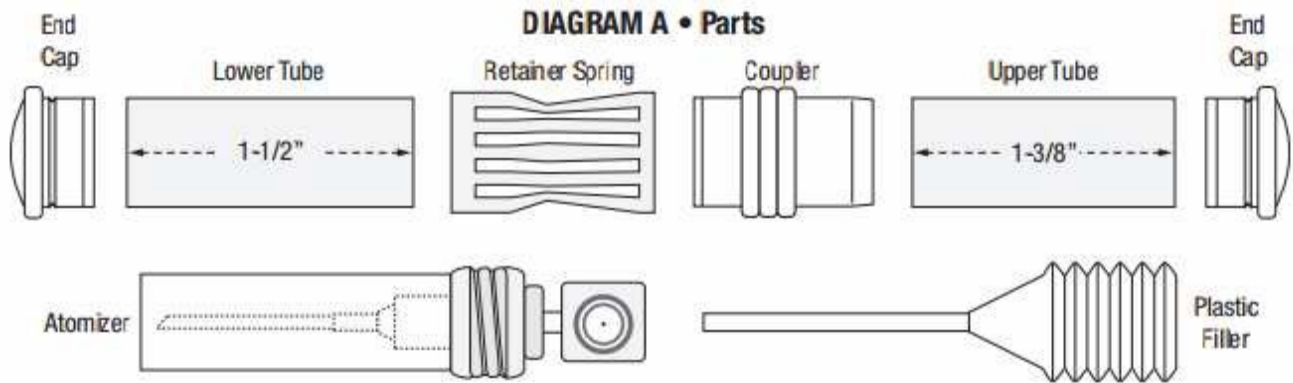


# Purse Perfume Atomizer Kits Assembly Instructions

## REQUIRED ACCESSORIES

- 7mm Pen Mandrel
- 3-piece Bushing Set
- 15mm Drill Bit
- Universal Pen Blank Squaring Jig
- Insta-cure glue (cyano acrylate) or 2-part epoxy glue

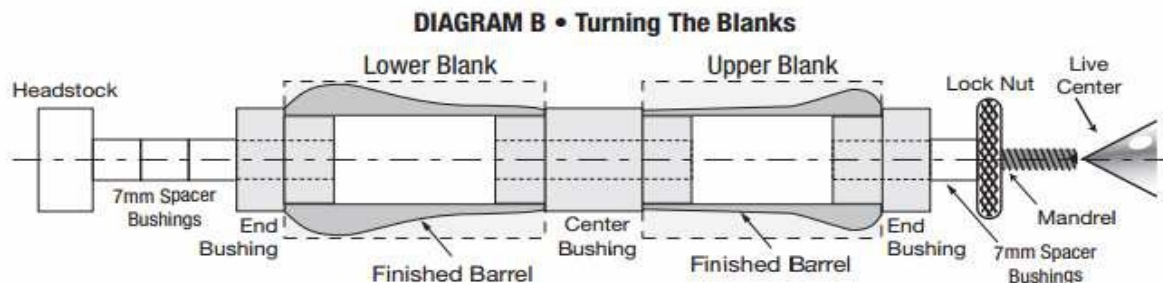


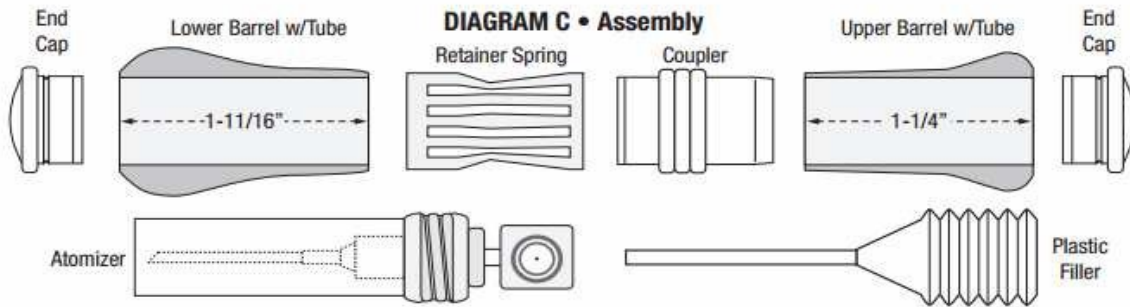
## PREPARING THE BLANKS

- From 7/8" or larger square stock cut blanks to the length of the tubes plus 1/16".
- Drill a centered hole lengthwise through each blank. Use a 15mm HSS drill bit
- Spread the glue evenly on the outside of the tube and insert into the blank with a twisting motion. Center the tube within the blank and allow to dry.
- When the glue dries, square the ends of the blank. Use a universal pen blank squaring jig to square the ends of the blanks. Take wood down to brass tubes.

## TURNING THE BLANKS

- Install a 7mm pen making mandrel on the lathe, and live center onto tailstock. Refer to DIAGRAM B.
- Place spacer bushings on the mandrel. Place one end bushing on the mandrel, followed by the lower blank.
- Insert the center bushing on mandrel, followed by the upper blank. Insert the second end bushing.
- Thread the lock nut hand tight onto the 7mm mandrel. Do not over tighten, it could damage the mandrel.
- Bring tailstock snug to the mandrel, lock it into place. Tighten the lock nut for turning.
- Using sharp tools, turn the blank down; sand it to the size of the bushings.
- Finish the blank with your choice of polish.





**ASSEMBLY**

- HINTS: For best results, use Pen Assembly Press when assembling the perfume atomizer.
- Line up atomizer parts according to the DIAGRAM C.
- Press an end piece into the top of the short blank and the bottom of the long blank.
- Press the short end of the coupling into the open end of the long blank.
- Insert the retainer spring flat end first into the long blank past the coupling through to the bottom.
- Fill the atomizer with your perfume or other liquid using the plastic filler.
- Insert the atomizer into the long blank where the retainer will secure it.
- Push two halves together.