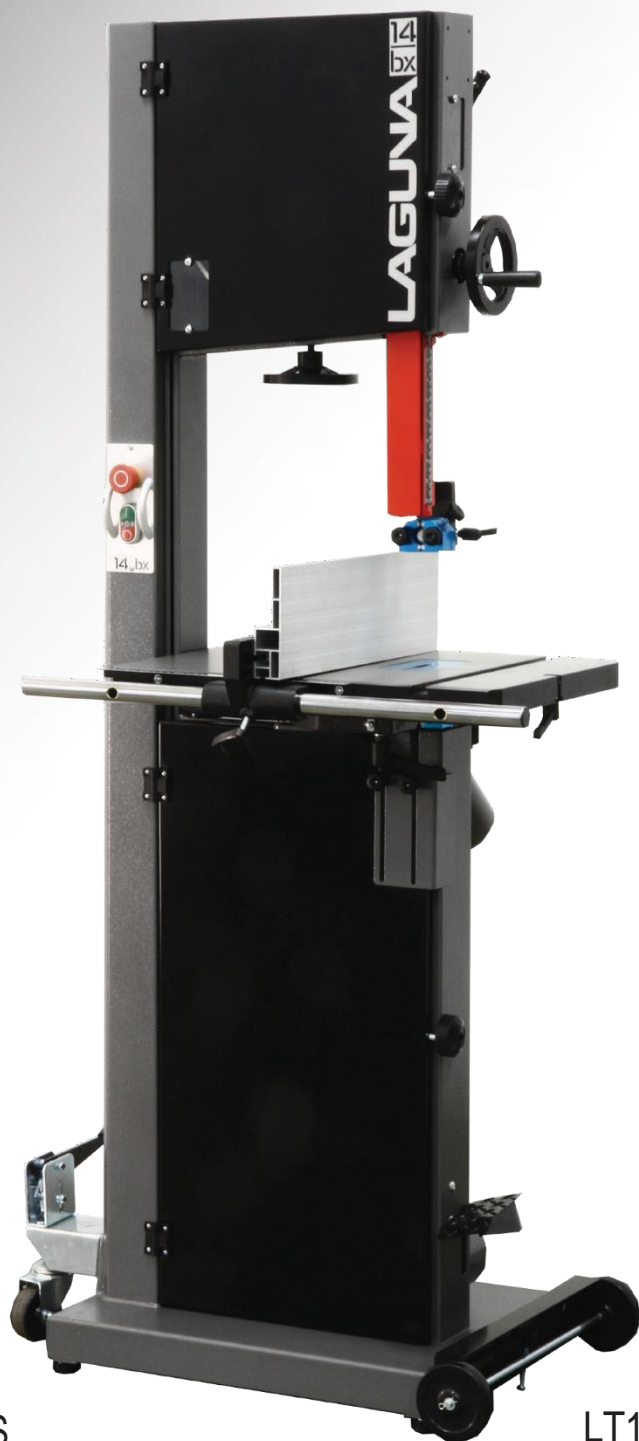


# 14bx Bandsaw Manual



Part No. MBAND14BX110-175  
LT14bx Bandsaw 110V 1.75HP 13" Resaw

Part No. MBAND14BX220-250  
LT14bx Bandsaw 220V 2.5HP 13" Resaw

LAGUNA TOOLS  
744 Refuge Way  
Grand Prairie, TX 75050  
Ph: 800.234.1976  
[www.lagunatools.com](http://www.lagunatools.com)

© 2022, Laguna Tools, Inc. LAGUNA® and the LAGUNA Logo® are the registered trademarks of Laguna Tools, Inc. All rights reserved.

Thank you for investing in a 14|bx bandsaw by Laguna Tools. This bandsaw is one of a family of unique machines proudly offered by Laguna Tools. Every Laguna machine is engineered for years of dependable service. Please feel free to contact Laguna Tools if you have a question or suggestion. We appreciate working with you and your choice of a Laguna Tools machine for your shop.

Regards,  
Torben Helshoj  
President & Founder Laguna Tools

This manual applies to the 14|bx bandsaw. Enter the model number and serial number below for quick reference when ordering accessories, supplies or parts.

Model: \_\_\_\_\_

Serial: \_\_\_\_\_

Laguna Tools  
Grand Prairie  
800-234-1976

744 Refuge Way, Suite 200  
TX 75050  
[www.lagunatools.com](http://www.lagunatools.com)

## SAFETY GUIDELINES - DEFINITIONS

This manual contains information that is important for you to know and understand. This information relates to protecting YOUR SAFETY and PREVENTING EQUIPMENT PROBLEMS. To help you recognize this information, we use the symbols below. Please read the manual and pay attention to these sections.



Indicates an imminently hazardous situation which, if not avoided, **will** result in death or serious injury.



Indicates a potentially hazardous situation which, if not avoided, **could** result in death or serious injury.



Indicates a potentially hazardous situation which, if not avoided, **may** result in minor or moderate injury.

**CAUTION**

(Used without the safety alert symbol) indicates a potentially hazardous situation which, if not avoided, **may** result in property damage.

# Safety Rules: Laguna Tools 14|bx Bandsaw User Manual

English	French
<p><b>WARNING:</b> For your own safety, read instruction manual before operating bandsaw</p> <ol style="list-style-type: none"> <li>1. Wear eye protection.</li> <li>2. Do not remove jammed cut off pieces until blade has stopped.</li> <li>3. Maintain proper adjustment of blade tension, blade guides and thrust bearings.</li> <li>4. Adjust upper guide to just clear workpiece.</li> <li>5. Hold workpiece firmly against table.</li> <li>6. ALWAYS USE A PUSH STICK. Never allow your hands/ fingers to come close to the bandsaw blade.</li> </ol>	<p><b>AVERTISSEMENT:</b> Pour votre securite, lisez le manuel d'instruction attentivement avant d'utiliser la scie à ruban.</p> <ol style="list-style-type: none"> <li>1. Portez des lunettes de protection .</li> <li>2. Ne tentez pas d'enlever une piece coincée avant l'arrêt complet de la lame.</li> <li>3. Assurez-vous que les guides et la tension sur la lame soient toujours correctement ajustés.</li> <li>4. Ajustez la hauteur du guide supérieur de façon à passer juste au-dessus de la piece .</li> <li>5. Tenez la piece fermement sur la table.</li> <li>6. UTILISEZ TOUJOURS UN POUSSOIR - N'approchez jamais vos doigts, ou vos main, de la lame .</li> </ol>
<b>Safety Rules</b>	<b>Regles de securite</b>
<ol style="list-style-type: none"> <li>1. KEEP GUARDS IN PLACE and in working order.</li> <li>2. REMOVE ADJUSTING KEYS AND WRENCHES. Form a habit of checking to see that the keys and adjusting wrenches are removed from tool before turning it on.</li> <li>3. KEEP WORK AREA CLEAN. Cluttered areas and benches invite accidents.</li> <li>4. DON'T USE IN DANGEROUS ENVIRONMENT. Do not use power tools in damp or wet locations or expose them to rain. Keep work area well lighted.</li> <li>5. KEEP CHILDREN AWAY. All visitors should be kept safe distance from work area.</li> <li>6. MAKE WORKSHOP KID PROOF with padlocks, master switches or by removing starter keys.</li> <li>7. . DON'T FORCE TOOL. It will do the job better and safer at the rate for which it was designed.</li> <li>8. USE RIGHT TOOL. Do not force tool or attachment to do a job for which it was not designed.</li> <li>9. USE PROPER EXTENSION CORD. Make sure your extension cord is in good condition. When using an extension cord, be sure to use one heavy enough to carry the current your product will draw. An undersized cord will cause a drop in line voltage, resulting in loss of power and overheating. Table A shows the correct size to use depending on cord length and nameplate ampere rating. If in doubt, use the next heavier gage. The smaller the gage number, the heavier the cord.</li> <li>10. WEAR PROPER APPAREL. Do not wear loose clothing, gloves, neckties, rings, bracelets, or other jewelry that may get caught in moving parts. Nonslip footwear is recommended. Wear protective hair covering to contain long hair.</li> <li>11. ALWAYS USE SAFETY GLASSES. Also use face or dust mask if cutting operation is dusty. Everyday eyeglasses only have impact-resistant lenses; they are NOT safety glasses.</li> </ol>	<ol style="list-style-type: none"> <li>1. CONSERVEZ TOUS LES DISPOSITIFS DE PROTECTION EN PLACE et en bon état de fonctionnement .</li> <li>2. ENLEVEZ LES CLES ET OUTILS. Prenez l'habitude de vérifier si les clés et autres outils ne sont pas trop près de la machine avant de la démarrer.</li> <li>3. CONSERVEZ LA SURFACE DE TRAVAIL PROPRE ET LIBRE D'ENTRAVES. Les endroits encombrés augmentent le risque d'accident.</li> <li>4. NE PAS UTILISER DANS LES ENVIRONNEMENTS DANGEREUX. N'utilisez pas d'outils électriques dans les endroits humides, détrempés, ou sous la pluie. Conservez l'espace de travail bien éclairé.</li> <li>5. TENEZ LES ENFANTS À L'ÉCART. Tous les visiteurs doivent être tenus à une distance sécuritaire de l'aire de travail.</li> <li>6. RENDEZ L'ATELIER À L'ÉPREUVE DES ENFANTS avec des verrous, des interrupteurs principaux ou en enlevant les clés de démarrage sur les outils.</li> <li>7. NE FORCEZ PAS L'OUTIL. L'outil effectuera un meilleur travail et de façon sécuritaire s'il est utilisé au rythme pour lequel il a été conçu.</li> <li>8. UTILISEZ L'OUTIL APPROPRIÉ. Ne forcez pas un outil ou un accessoire pour effectuer un travail pour lequel il n'a pas été conçu.</li> <li>9. UTILISEZ UNE RALLONGE ÉLECTRIQUE APPROPRIÉE. Assurez-vous que votre rallonge électrique est en bon état et que le calibre du filage soit adéquat pour transporter le courant que la machine a besoin. Une rallonge de trop faible calibre induira une perte d'intensité du voltage, ce qui provoquera une surchauffe et une perte de puissance . Le tableau A indique le bon calibre à utiliser en fonction de la longueur de la rallonge et de la demande en intensité du moteur. En cas de doute, utilisez la rallonge de calibre plus fort . Plus le numéro est petit , plus la rallonge est de fort calibre .</li> </ol>

12. **SECURE WORK.** Use clamps or a vise to hold work when practical. It is safer than using your hand, and it frees both hands to operate tool.
13. **DON'T OVERREAC H.** always Keep proper footing and balance.
14. **MAINTAIN TOOLS WITH CARE.** Keep tools sharp and clean for best and safest performance. Follow instructions for lubricating and changing accessories.
15. **DISCONNECT TOOLS** before servicing, when changing accessories such as blades, bits, and cutters.
16. **REDUCE THE RISK OF UNINTENTIONAL STARTING.** Make sure switch is in off position before plugging in.
17. **USE RECOMMENDED ACCESSORIES.** Consult the owner's manual for recommended accessories. The use of improper accessories may cause risk of injury to persons.
18. **NEVER STAND ON TOOL** Serious injury could occur if the tool is tipped or if the cutting tool is unintentionally contacted.
19. **CHECK DAMAGED PARTS.** Before further use of the tool, a guard or other part that is damaged should be carefully checked to determine that it will operate properly and perform its intended function - check for alignment of moving parts, binding of moving parts, breakage of parts, mounting and any other conditions that may affect its operation. A guard or other part that is damaged should be properly repaired or replaced.
20. **DIRECTION OF FEED.** Feed work into a blade or cutter against the direction of rotation of the blade or cutter only.
21. **NEVER LEAVE TOOL RUNNING UNATTENDED TURN POWER OFF.** Do not leave tool until it comes to a complete stop.

10. **PORTEZ DES VETEMENTS APPROPRIES.** Ne portez pas de vetements amples, des gants, des colliers, des bracelets, ou tout autre bijou ou accessoire qui pourrait etre entra1ne par des pieces mobiles . Des souliers a semelle antiderapante sont egalement recommandes . Attachez les cheveux longs et portez un bonnet pour contenir la chevelure trop abondante.
11. **PORTEZ DES LUNETTES DE PROTECTION.** Portez egalement un masque contre la poussiere si le travail execute degage de la poussiere. Veuillez prendre note que les lunettes de prescription ordinaire ne resistent pas aux impacts et qu'elles ne sont pas homologuees a titre de lunettes de securite.
12. **IMMOBILISEZ VOTRE TRAVAIL.** Utilisez des serres ou un etau pour immobiliser votre travail lorsque c'est possible. C'est plus securitaire que d'utiliser votre main, et <;a permet de liberer vos deux mains pour operer l'outil confortablement.
13. **NE VOUS ETIREZ PAS AU-DESSUS DE LA M ACHINE.** Demeurez solidement en equilibre sur vos pieds en tout temps.
14. **ENTRETENEZ LES OUTILS AVEC SOIN.** Gardez les outils de coupe tranchants et propres pour en tirer les meilleures performances. Suivez les instructions du fabricant pour la lubrification et l'entretien des accessoires .
15. **DEBRANCHEZ LES OUTILS** avant d'en effectuer l'entretien ou lors du changement d'accessoires tels que lames ou couteaux.
16. **REDUISEZ LES RISQUES DE DEMARRAGE NON INTENTIONNEL.** Assurez-vous que l'interrupteur est en position fermee avant le branchement d'un outil.
17. **UTILISEZ LES ACCESSOIRES RECOMMANDES.** Consultez le manuel d'instruction pour conna1tre les accessoires recommandes. L'utilisation d'accessoires inappropriés pose des risques de blessures aux utilisateurs .
18. **NE VOUS TENEZ JAMAIS DEBOUT SUR UNE M ACHINE.** Des blessures graves pourraient survenir si la machine bascule ou si les outils coupants sont touches accidentellement .
19. **VERIFIEZ LES PIECES ENDOM M AGEES.** Avant de poursuivre l'utilisation d'un outil, tout dispositif de protection ou toute piece endommagee devra etre inspecte pour determiner si elle peut fonctionner correctement et selon l'utilisation qui en est prevue . Verifiez l'alignement des pieces mobiles a savoir s'il ya blocage, un bris, ou toute autre condition qui nuirait a son utilisation . Une piece ou un protecteur endommage doit etre repare ou remplace.
20. **SENS D'ALIMENTATION.** Alimentez la piece vers la lame ou le couteau dans le sens contraire de sa rotation seulement.
21. **NE LAISSEZ JAMAIS UN OUTIL FONCTIONNER DANS SURVEILLANCE - ETEIGNEZ L'OUTIL.** Ne laissez pas l'outil sans surveillance jusqu'a ce qu'il s'arrete completement .

Table A						
Ampere Rating		Volts	Total length of cord in feet			
		120	25	50	100	150
		240	50	100	200	300
More Than	Not More Than		Minimum gage for cord			
0	6		18	16	16	14
6	10		18	16	14	12
10	12		16	16	14	12
12	16		14	12	Not Recommended	

## GROUNDING INSTRUCTIONS



### 1. All grounded, cord-connected tools:

In the event of a malfunction or breakdown, grounding provides a path of least resistance for electric current to reduce the risk of electric shock. This tool is equipped with an electric cord having an equipment-grounding conductor and a grounding plug. The plug must be plugged into a matching outlet that is properly installed and grounded in accordance with all local codes and ordinances.

Do not modify the plug provided – if it will not fit the outlet, have the proper outlet installed by a qualified electrician.

Improper connection of the equipment-grounding conductor can result in a risk of electric shock. The conductor with insulation having an outer surface that is green with or without yellow stripes is the equipment-grounding conductor. If repair or replacement of the electric cord or plug is necessary, do not connect the equipment-grounding conductor to a live terminal.

Check with qualified electrician or service personnel if the grounding instructions are not completely understood, or if in doubt as to whether the tool is properly grounded.

Use only 3-wire extension cords that have 3-prong grounding plugs and 3 pole receptacles that accept the tool's plug.

Repair or replace damaged or worn cord immediately.

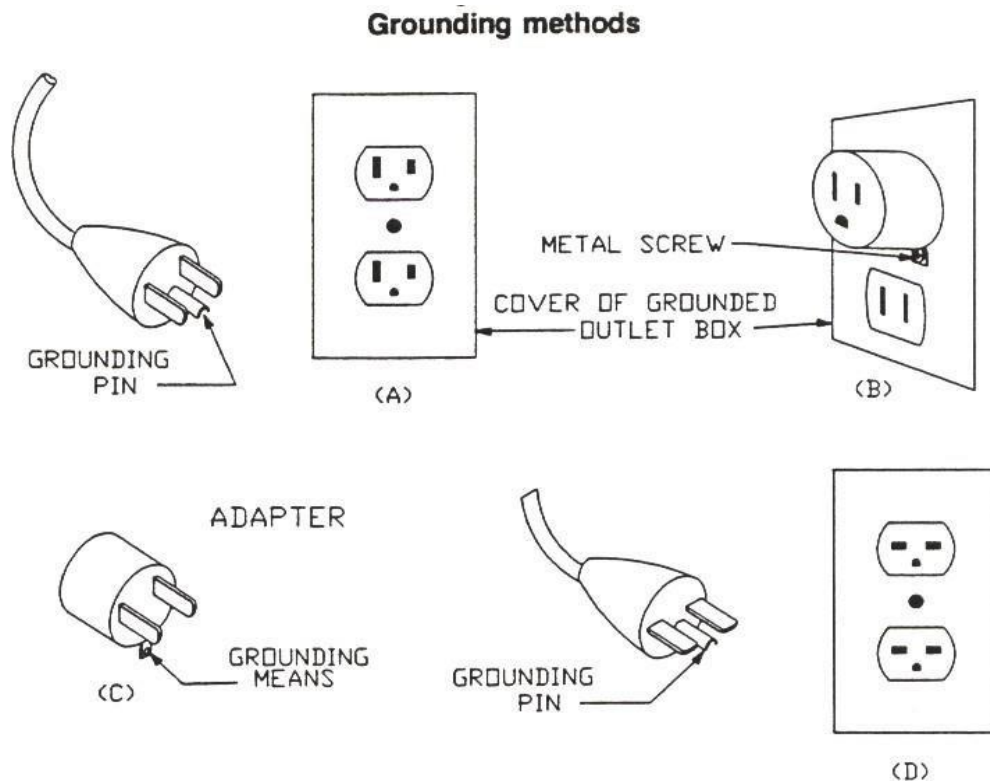
### 2. Grounded, cord-connected tools intended for use on a supply circuit having a nominal rating less than 150 volts:

This tool is intended for use on a circuit that has an outlet that looks like the one illustrated in Sketch A in Fig. 1. The tool has a grounding plug that looks like the plug illustrated in Sketch A in Fig. 1. A temporary adapter, which looks like the adapter illustrated in Sketch B and C, may be used to connect this plug to a 2-pole receptacle as shown in Sketch B if a properly grounded outlet is not available. The temporary adapter should be used only until a properly grounded outlet can be installed by a qualified electrician. **This adapter is not permitted in Canada.** The green-colored rigid ear, lug, and the like, extending from the adapter, must be connected to a permanent ground such

as a properly grounded outlet box.

3. Grounded, cord-connected tools intended for use on a supply circuit having a nominal rating of 150–250 volts, inclusive:

This tool is intended for use on a circuit that has an outlet that looks like the one illustrated in Sketch D. The tool has a grounding plug that looks like the plug illustrated in Sketch D. Make sure the tool is connected to an outlet having the same configuration as the plug. No adapter is available or should be used with this tool. If the tool must be reconnected for use on a different type of electric circuit, the reconnection should be made by qualified service personnel; and after reconnection, the tool should comply with all local codes and ordinances.

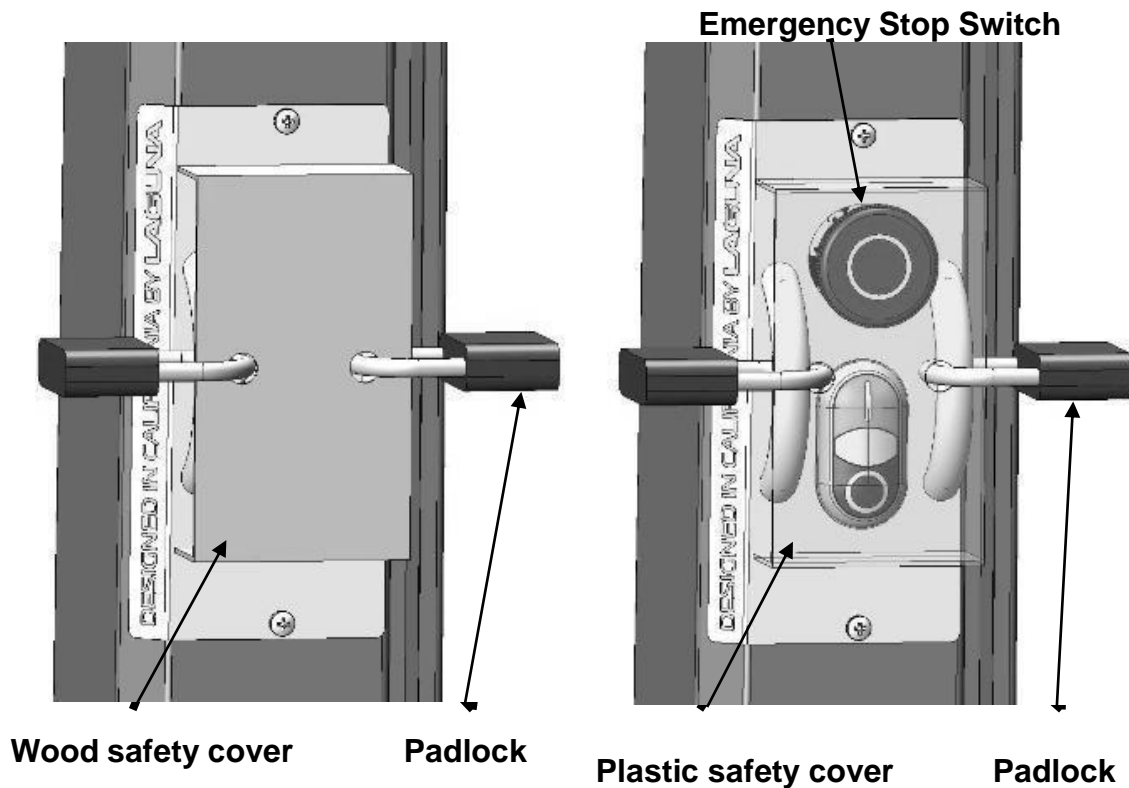


**Fig. 1**

## Locking bandsaw

It is strongly recommended that the bandsaw is never unattended and unlocked. To lock the machine; fabricate a cover (not supplied) to cover the control panel. Below are two concepts for locking the panel. The cover can be made from wood or plastic.

Push down the emergency stop. Lock the cover together by attaching padlocks (not included) on the two handles of the control panel. To safeguard your machine from unauthorized operation and accidental starting by young children, the use of padlocks is strongly recommended



## Table of contents

	Page
<b>Safety Rules</b>	<b>3</b>
<b>Warranty</b>	<b>9</b>
<b>Specification sheet</b>	<b>10</b>
<b>Noise emission</b>	<b>10</b>
<b>Receiving machine</b>	<b>11</b>
<b>Introduction to Bandsaws</b>	<b>11</b>
<b>Inventory</b>	<b>12</b>
<b>Components</b>	<b>14</b>
<b>Locating Bandsaw</b>	<b>18</b>
<b>Unpacking</b>	<b>19</b>
<b>Assembly and setup</b>	<b>19</b>
<b>Operation</b>	<b>37</b>
<b>Maintenance</b>	<b>49</b>
<b>Troubleshooting</b>	<b>54</b>
<b>Wiring Diagrams</b>	<b>56</b>
<b>Exploded view drawings/parts</b>	<b>57</b>



# Limited Warranty

New machines and accessories sold by Laguna Tools carry a two-year warranty effective from the date of shipping. Machines sold through dealers must be registered with Laguna Tools within 30 days of purchase to be covered by this warranty. Laguna Tools guarantees all new machines and accessories sold to be free of manufacturers' defective workmanship, parts, and materials. We will repair or replace, without charge, any parts determined by Laguna Tools, Inc. to be a manufacturer's defect. We require that the defective item/part be returned to Laguna Tools with the complaint. Any machines returned to Laguna Tools must be returned with packaging in the same way it was received. If a part or blade is being returned it must have adequate packaging to ensure no damage is received during shipping. In the event the item/part is determined to be damaged due to lack of maintenance, cleaning or misuse/abuse, the customer will be responsible for the cost to replace the item/part, plus all related shipping charges. This limited warranty does not apply to natural disasters, acts of terrorism, normal wear and tear, product failure due to lack of maintenance or cleaning, damage caused by accident, neglect, lack of or inadequate dust collection, misuse/abuse or damage caused where repair or alterations have been made or attempted by others.

Laguna Tools, Inc. is not responsible for additional tools or modifications sold or performed (other than from/by Laguna Tools, Inc.) on any Laguna Tools, Inc. machine. Warranty voided upon the addition of such described tools and/or modifications, determined on a case-by-case basis.

Software purchased through Laguna Tools Inc. is not covered under this warranty and all technical support must be managed through the software provider. Software is non-refundable.

Normal user alignment, adjustment, tuning, and machine settings are not covered by this warranty. It is the responsibility of the user to understand basic machinery operation, settings, and procedures and to properly maintain the equipment in accordance with the standards provided by the manufacturer.

Parts, under warranty, are shipped at Laguna Tools, Inc.'s cost either by common carrier, FEDEX ground service or a similar method. Technical support to install replacement parts is primarily provided by phone, fax, e-mail, or Laguna Tools Customer Support Website. The labor required to install replacement parts is the responsibility of the user.

Laguna Tools is not responsible for damage or loss caused by a freight company or other circumstances not in our control. All claims for loss or damaged goods must be notified to Laguna Tools within twenty-four hours of delivery. Please contact our Customer Service Department for more information.

Only **new** machines sold to the original owner are covered by this warranty. For warranty repair information, **call 1-800-332-4094**.



## Specifications

	<b>MBAND14BX110-175</b>	<b>MBAND14BX220-250</b>
<b>Motor voltage/hp</b>	115V / 1 3/4 HP	230V / 2 1/2 HP
<b>Breaker</b>	15 amp	15 amp
<b>Throat</b>	13 5/8" (346mm)	13 5/8" (346mm)
<b>Table, cast iron</b>	16" x 21 1/2" (406.4mm x 546mm)	16" x 21 1/2" (406.4mm x 546mm)
<b>Table tilt</b>	- 7 degrees + 45 degrees	- 7 degrees + 45 degrees
<b>Miter slot</b>	3/8" x 3/4" (9.525mm x 19.05mm)	3/8" x 3/4" (9.525mm x 19.05mm)
<b>Table height</b>	38" (965mm)	38" (965mm)
<b>Fly wheel</b>	Cast iron	Cast iron
<b>Resaw capacity</b>	13" (330.2mm)	13" (330.2mm)
<b>Minimum blade length</b>	114 3/4" (2,914mm)	114 3/4" (2,914mm)
<b>Maximum blade length</b>	116" (2,946mm)	116" (2,946mm)
<b>Maximum blade width</b>	3/4" (19mm)	3/4" (19mm)
<b>Minimum blade width</b>	1/8" (3mm)	1/8" (3mm)
<b>Guides</b>	Laguna ceramic	Laguna ceramic
<b>Height</b>	70 1/2" (1,790mm)	70 1/2" (1,790mm)
<b>Machine Dimensions (W x D) Base Footprint</b>	29 3/4" x 26 7/8" (755mm x 683mm) 22 11/16" x 17 9/16" (576mmx446mm)	29 3/4" x 28 1/16" (755mm x 713mm) 22 11/16" x 17 9/16" (576mmx446mm)
<b>Machine Dimensions with mobility kit (W xD) Base Footprint with mobility kit</b>	36 5/8" x 26 7/8" (930mm x 683mm)  33" x 20 1/2" (838mm x 521mm)	36 5/8" x 28 1/16" (930mm x 713mm)  33" x 20 1/2" (838mm x 521mm)
<b>Weight, gross</b>	282 lbs. (128 kg)	292 lbs. (132.7 kg)
<b>Weight, net</b>	260 lbs. (118 kg)	270 lbs. (122.7 kg)
<b>Package size (W x D xH)</b>	73 1/8" x 26 1/2" x 24 5/16" (1857mm x 673mm x 618mm)	73 1/8" x 26 1/2" x 24 5/16" (1857mm x 673mm x 618mm)
<b>Mobility kit</b>	Optional	Optional
<b>Industrial work light</b>	Optional	Optional

## Noise emission

Notes concerning noise emission:

Potential hearing loss depends on both noise level and exposure time, so the need for

supplementary precautions cannot be precisely determined. In addition to noise level and exposure time, other factors affecting potential hearing loss include characteristics of the working environment. (For example, adjacent machines can affect the total level of ambient noise.) It is also possible that legal noise exposure limits will vary from country to country.”

## Receiving machine

It is probable that your machine will be delivered by a third party. Before you unpack your new machine, you will need to first inspect the packing, invoice and shipping documents supplied by the driver.

Ensure that there is no visible damage to the packing or the machine. You need to do this prior to the driver leaving. All damage must be noted on the delivery documents and signed by you and the delivery driver. You must then report the damage to the seller within 24 hours.

## Introduction to Bandsaws

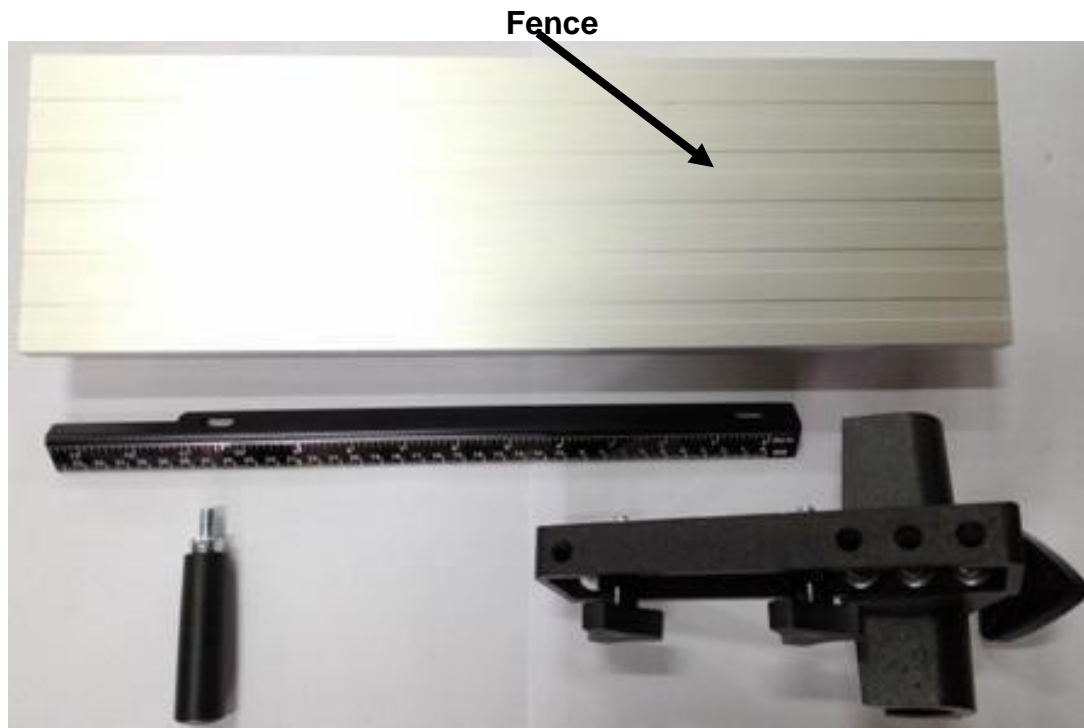


This bandsaw is designed to give you years of safe service. Read this owner's manual in its entirety before assembly or use.

The bandsaw is defined as a saw blade in the form of an endless steel band that rotates around two or more wheels. This blade is a continuous metal band with teeth on one side. As the wheels rotate, so does the band, which creates the continuous sawing action. Because the direction of the blade is always downward toward the table, there is little danger (except for special cuts) that the wood will be thrown back at the operator, which is called a kickback. "There is always danger of kickback when a circular saw is being used".

For safety reasons many woodworkers prefer the bandsaw especially when cutting small pieces. The unique feature of the bandsaw is that the work piece can be rotated around the blade creating a curve. It is the tool most often used when curves must be cut in wood. Because the bandsaw blade is thin, it can cut thick stock with a minimum of horsepower. For this reason, the bandsaw is often used when valuable pieces of wood are made into a thin piece of veneer.

## Inventory



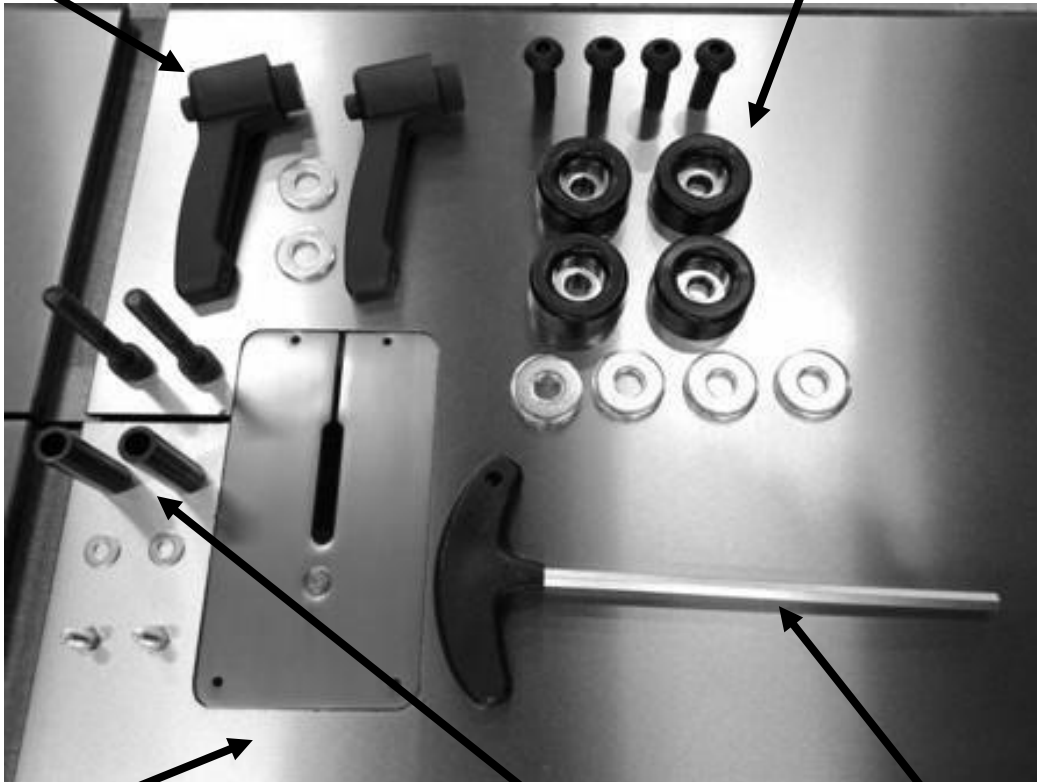
Fence parts



Fence guide bar

Table ratchet handles & washers

Rubber feet and hardware



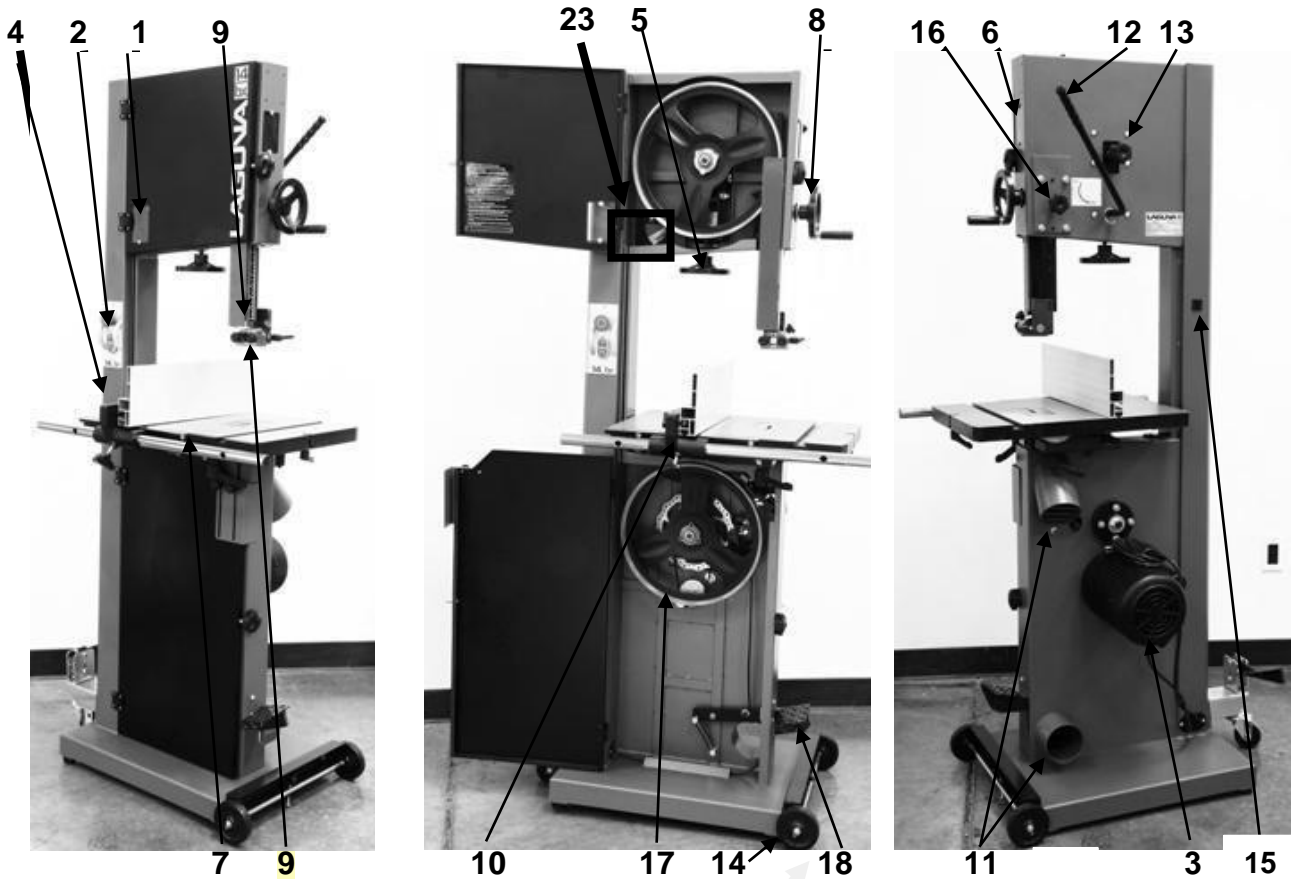
Table

Fence guide bar attachment parts

T-bar

# Components

Note: The kit and light are optional.



1. Tension indicator window	10. Rip fence assembly
2. Switch	11. Dust port 4"
3. Motor	12. Quick-release blade tension lever
4. Frame	13. Blade tracking knob
5. Blade tension handle	14. Optional mobility kit
6. Blade tracking window	15. 110v or 220v power socket
7. Cast iron Table	16. Blade guide shaft lock
8. Blade guide adjustment hand wheel	17. Flywheel
9. Blade guide	18. Brake foot pedal
*	23. Magnetic Blade Tension Gauge

The bandsaw does not have many parts. The major parts are discussed in this manual. If you are not familiar with the bandsaw, take the time to read this section and become familiar with the machine.

## 1. Tension indicator

Tension indicators are designed to indicate the compression of a spring. As a rule, the greater the spring compression, the greater the tension on the blade. The tension scale does not register until the blade is taut and is located on the inside of the body of the bandsaw. The tension scale is a general reference and not a rule. The tension indicator is visible with the upper door closed by looking through the tension indicator window.

## 2. Switch.

To start the machine, press the "I" button on the start stop switch. To shut off the machine press the "O" on the Start/Stop switch. When the **Emergency Stop Button** is pressed it disconnects power to the motor. To reset, twist and it will pop out and allow power to be supplied to the motor.

## 3. Motor.

The bandsaw is supplied with a 1 3/4 hp, 110V motor or 2 1/2 hp, 220V motor. It drives the lower flywheel through a drive belt.

## 4. Frame.

The frame of the bandsaw is a U-shaped frame, which houses all the parts of the machine. This is the heart of the bandsaw and must be very rigid, as it takes the strain of the blade being tensioned.

## 5. Blade tension handle.

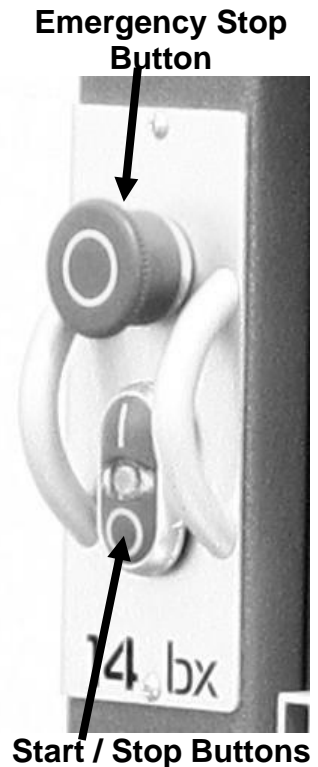
The blade tension handle moves the blade tension and tilt assembly vertically. The vertical action compresses a spring that ensures that the blade tension is constant and will not change dramatically as the blade length increases due to the heat generated by the cutting action.

## 6. Blade tracking window.

There is a blade tracking window on the side of the frame that allows the edge of the upper flywheel to be viewed. This allows the tracking of the blade to be achieved with the door closed.

## 7. Cast iron table.

The table supports the work piece and can tilt (-7 degrees to +45 degrees) to produce cuts at various angles. It has a groove to the right-hand side of the blade, which is used to guide the miter gauge. In the center there is a table insert which the blade passes through. Should the blade wander off center, this table insert will protect the blade from damage, as it is soft and should not damage the blade. The table also supports the adjustable fence, which is used for parallel cuts. There is a nut and bolt that joins both sides of the table and stops the table from warping. The nut and bolt must always be fitted in the table and only removed when removing or fitting a blade.



### **8. Blade guide adjustment hand wheel.**

The upper blade guides are attached to the blade guide shaft. The shaft is vertically adjustable with a hand wheel. The guides should be adjusted so the guides are just above the wood being cut. This gives the blade maximum stability and is also the safest way to operate the bandsaw.

### **9. Blade guides.**

There are two sets of blade guides, one above and one below the table. The function of the guides is to give the blade stability and ensure that the blade movement left/right, forward/back is kept to a minimum. The guides above the table are fitted to a shaft that has vertical adjustment. The upper guides are adjustable so that the guides are held just above the job being cut. This gives the blade the maximum amount of stability and keeps the amount of blade that is exposed to a minimum. The guides have ceramic inserts that can be adjusted for almost zero clearance.

### **10. Rip fence assembly.**

The rip fence assembly consists of a guide rail, cast knuckle, fence attachment casting, rule, and a high-low fence. The guide rail is attached to the table side. It guides the fence assembly across the table. The cast knuckle slides on the guide rail and is lockable in any position to suit the width of cut. The fence attachment casting is attached to the cast knuckle with three screws that when loosened allow the fence to be adjusted for drift. The fence is attached to the fence attachment casting with two studded knobs that allow the fence to be adjusted laterally across the table to suit the job being cut. The fence can be fitted in the low 1/2" or high 5 1/2" position.

There is a rule that is fitted to the side of the table and can be used as a quick guide on the distance that the fence is from the blade.

**Note.** The rule will have to be adjusted each time the fence is adjusted for drift, as this will change the distance the fence is from the blade.

### **11. Dust ports 4".**

The bandsaw produces a lot of sawdust, so extraction is important. This is achieved by connecting a 4" dust extraction hoses with a minimum capacity of 1,000 CFM to the two dust ports located at the back of the machine. The stronger the suction from the dust collector, the better for you and the machine.

### **12. Quick-release blade tension lever.**

There is a quick-release tension lever at the back of the bandsaw. The lever is a convenient way of quickly releasing the tension on the blade and speeds up blade change dramatically.

### **13. Blade-tracking knob.**

The blade-tracking knob is located at the back of the bandsaw and is used to adjust the blade tracking. The knob must be locked once the adjustment is completed.



#### 14. Optional mobility kit.

The optional mobility kit is fitted to the base of the bandsaw and consists of two fixed wheels at the front of the bandsaw and a swivel wheel at the back of the band saw. The swivel wheel is activated and deactivated with a foot lever. With the swivel wheel deactivated, the bandsaw sits on two rubber feet.

#### 15. Optional light.

The optional light is fitted with four screws through pre-drilled holes at the top of the bandsaw. The bandsaw is provided with a 110V or 220V socket that the light can be connected to.

#### 16. Blade guide shaft lock

The upper blade guide is fixed to the blade guide shaft, which is vertically adjustable. Once the guides have been adjusted vertically; the shaft is locked in position with the lock knob.

#### 17. Flywheel.

The blade is suspended over two wheels that are covered with rubber called a "tire". The tire cushions the blade and protects the teeth from meeting the metal of the flywheel. The lower wheel is the drive wheel and is attached to the motor with a rubber drive belt. The lower flywheel powers the blade and pulls the blade down through the work piece. The top wheel has two functions. One function is to balance or track the blade on the wheels, and the second one is to tension the blade. Both functions are adjustable.

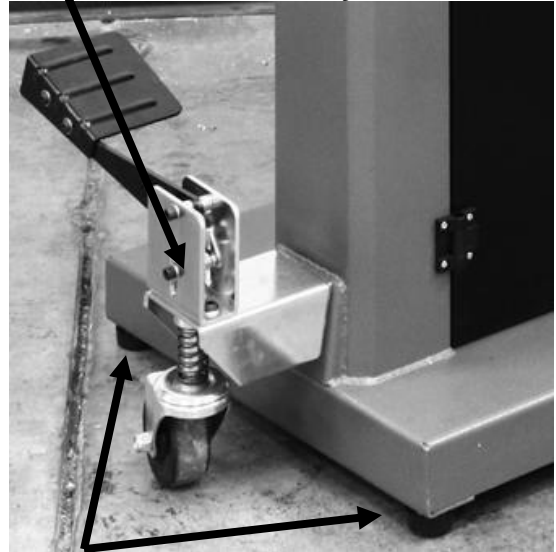
#### 18. Brake.

The bandsaw is provided with a brake that is operated by applying the foot pedal. When the foot pedal is applied, the power is disconnected from the motor and the flywheel is slowed by the disc brake.

#### 19. Guards.

When running, the blade can be dangerous, and the amount of blade that is exposed must be kept to a minimum. The machine is supplied with several guards, all of which **MUST** be installed and used while the machine is running. There is a guard that is attached to the lower door and is adjustable vertically once the door is closed. There is a guard on the guide vertical adjustment shaft.

Swivel wheel assembly



Rubber feet



Disc brake on flywheel

## 20. Blade tilt and tension mechanism.

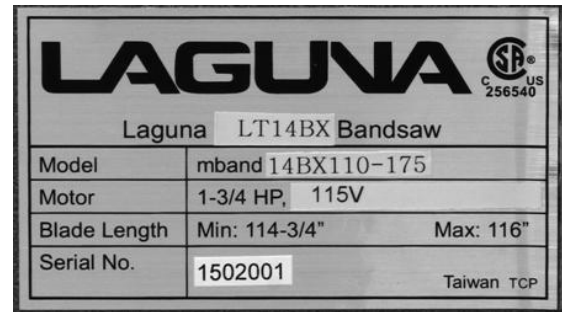
The upper wheel is attached to the tilt and tension mechanism. This mechanism adjusts the wheel so that the bandsaw blade can be adjusted for blade tracking. This is achieved by a screwed handle at the back of the machine that pushes on the mechanism and adjusts the axis of the wheel so that it runs true with the lower wheel. The second function is to tension the blade, which is achieved by adjusting the upper flywheel vertically. A handle is located below upper flywheel and, when rotated, will move the wheel up or down. The machine has a quick-acting blade release mechanism that is located at the back of the machine and will remove the tension from the blade to speed the removal and fitting of blades. The mechanism has a spring, which helps to keep the tension constant as the blade expands and contracts with the heat generated by the cutting action.

## 21. Electrical connection.

The bandsaw is provided with a cable and 110V plug or 220V plug.

## 22. Identification.

There is a plate at the back of the machine listing all the manufacturing data, including the serial number, model, and blade length.



The image shows a rectangular identification plate for a Laguna LT14BX Bandsaw. At the top, the brand name 'LAGUNA' is printed in large, bold, black letters. To the right of the brand name is a circular logo with 'SP' inside and 'C 256540 US' around the perimeter. Below the brand name, the text 'Laguna LT14BX Bandsaw' is printed. The plate contains a table with the following information:

Model	mband 14BX110-175	
Motor	1-3/4 HP, 115V	
Blade Length	Min: 114-3/4"	Max: 116"
Serial No.	1502001	Taiwan TCP

## 23. Magnetic Blade Tension Gauge

Indicates blade type (width) when installing and applying correct tension during blade installation (See Pages 32 & 33 for Instructions).

## Locating Bandsaw

Before you remove your bandsaw from the packaging, select the area where you will use your machine. There are no hard-and-fast rules for its location, but below are a few guidelines.

1. There should be an area at the front and back of the machine suitable for the length of wood that you will be cutting. If you intend to use your saw for scrollwork, this may not be important but should be considered at this stage.
2. Adequate lighting. The better the lighting, the more accurate and safely you will be able to work
3. Solid floor. You should select a solid, flat floor, preferably concrete or something similar.
4. Close to power source and dust collection.

## Unpacking

Unpacking requires; tin snips, knife, and wrench.

**Note:** The machine is heavy, and if you have any doubt about the described procedure, seek professional assistance. Do not attempt any procedure that you feel is unsafe or that you do not have the physical capability of achieving.

Using the tin snips, cut the banding that is securing the machine to the pallet (if fitted).

**WARNING: EXTREME CAUTION MUST BE USED BECAUSE THE BANDING WILL SPRING AND COULD CAUSE INJURY.**

Your bandsaw will be shipped in custom packaging consisting of a heavy-duty cardboard box and Styrofoam internal packaging.

1. Open the cardboard box, remove the loose parts, and top Styrofoam.
2. Lift the bandsaw out of the packaging. You will need two or more people, as the bandsaw is heavy.
3. Lift the bottom Styrofoam out and remove the parts that are packaged under the bandsaw and packaging.

## Assembly and set up

<https://youtube.com/playlist?list=PLGxpBSxMxWOSCSyR9CDBV8Z9V7ZsnyDCm>

The link and QR code reference general assembly information for Laguna bandsaws.



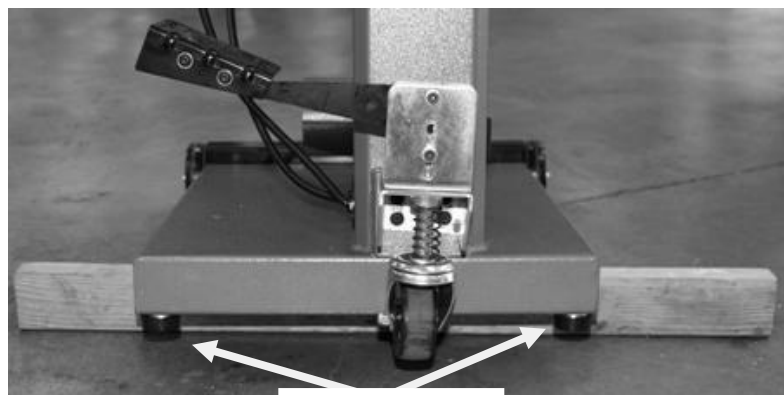
## Installing the Rubber Feet

### Method 1.

Install the rubber feet to the bandsaw prior to removing it from the packaging.

### Method 2.

1. Support the bandsaw on wooden blocks.
2. Install the rubber feet with the hardware provided, both at front and back of the bandsaw



Rubber Feet

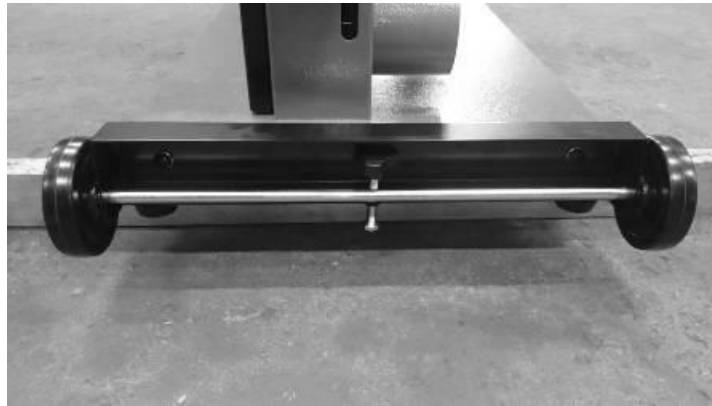
## Assembling the optional mobility kit

<https://youtu.be/fet8qLGzoCA>



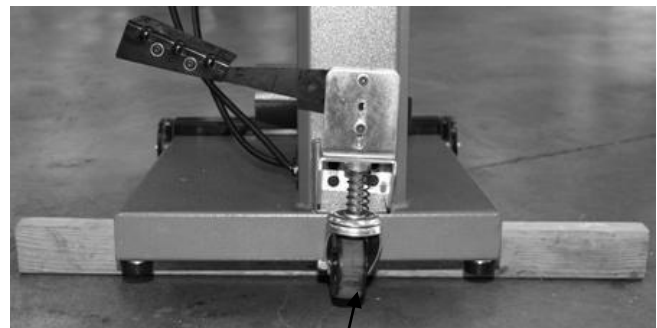
The link and QR code reference a video for Laguna wheel kit installation.

### Bandsaw supported on wooden block

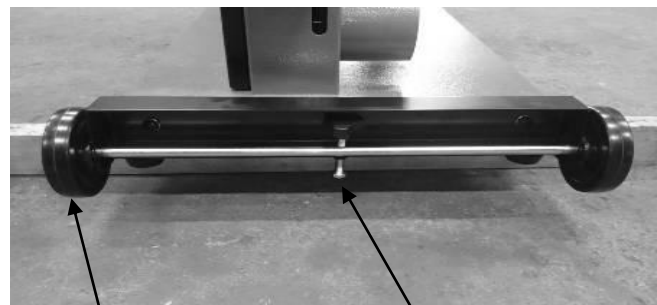


1. Support the bandsaw on wooden blocks.
2. Fit the swivel assembly to the back of the bandsaw with the provided bolts.
3. Fit the front wheels to the front of the bandsaw with the bolts provided and remove the two rubber feet that are close to the front wheels.

**Note.** Never operate the bandsaw with the mobility kit engaged or the front wheel assembly locking screw not engaged.



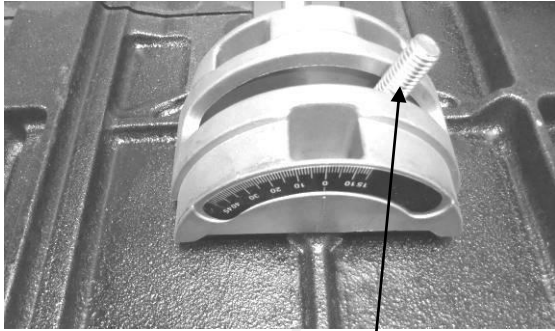
Rear swivel wheel



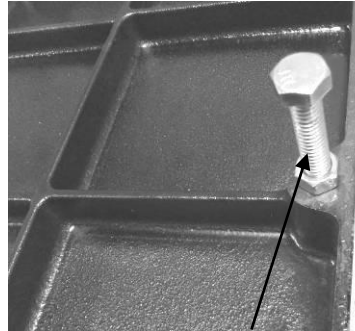
Front wheels

Locking screw

## Installing the table

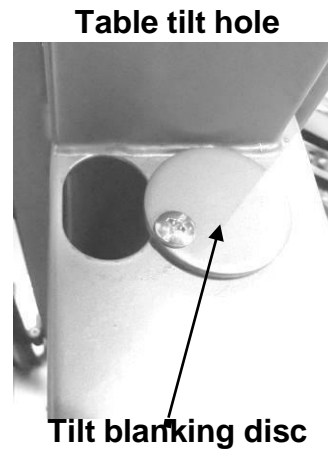
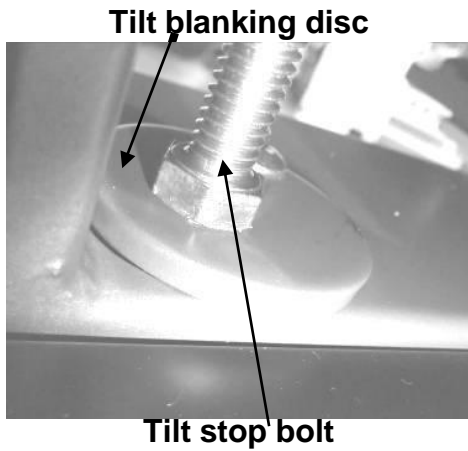


**Trunnion clamp stud**



**Tilt stop bolt**

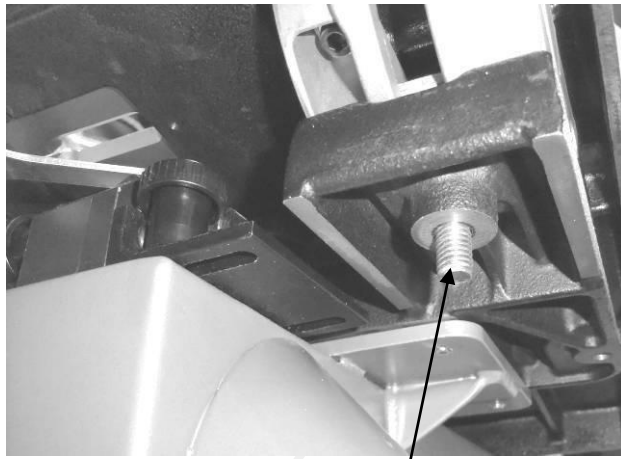
It is possible to install the table to the bandsaw with one person but far easier if you have two people, one to lift the table and one to guide the trunnion clamp studs.



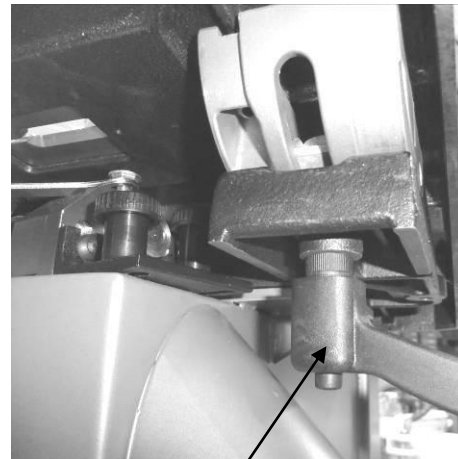
The table has a reference stop bolt that is used to quickly align the table after tilting. The stop bolt hits the tilt-blanking disc when it is positioned over the table tilt hole. When the tilt blanking disc is moved away from the hole, it allows the tilt stop bolt to pass through the table tilt hole, and the table can be moved to the maximum amount of tilt (-7 degrees).



**Table mounted to the bandsaw**



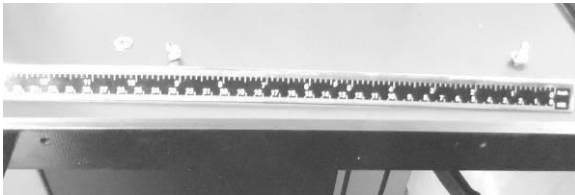
**Trunnion clamp stud**



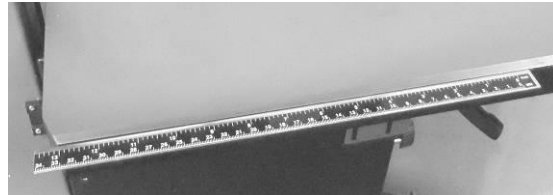
**Ratchet handle**

With the table fitted to the trunnions, assemble the two ratchet handles and flat washers. Instructions for how to adjust the table square to the blade will be detailed later in the manual.

## Fitting the table rule

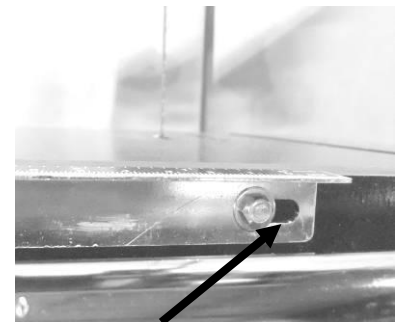


**Table rule with hardware**



**Table with rule mounted**

Attach the rule to the table with the hardware supplied. Do not fully tighten the bolts, as the position of the rule will have to be adjusted to suit the blade, which will be detailed later in the manual.



**Rule adjustment slot**

## Installing the fence

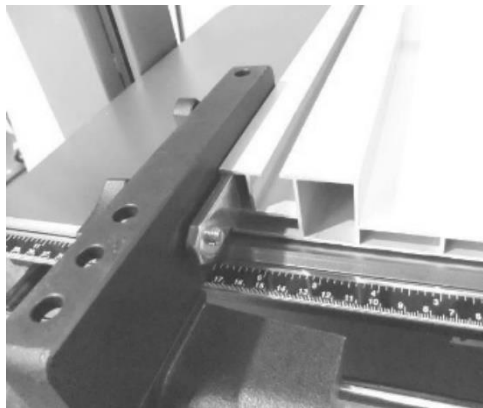
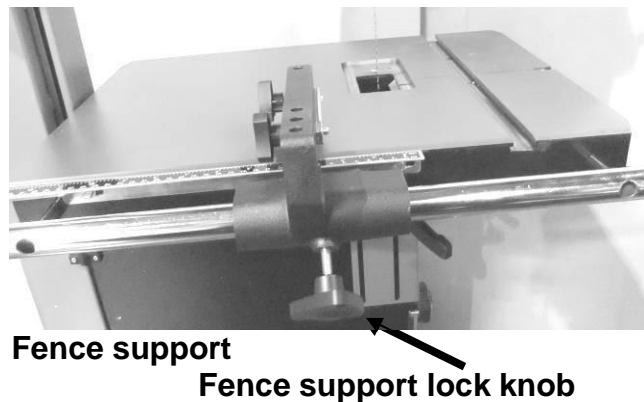
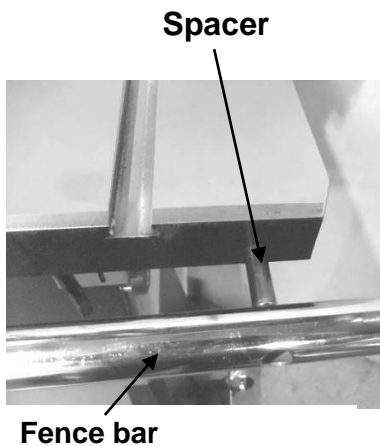
1. Attach the fence bar to the table with the screws and spacers supplied.

**Note.** The distance between the attachment holes and the end of the bar is not symmetrical, and the end that has the longest distance must be at the back of the bandsaw (closest to the column).

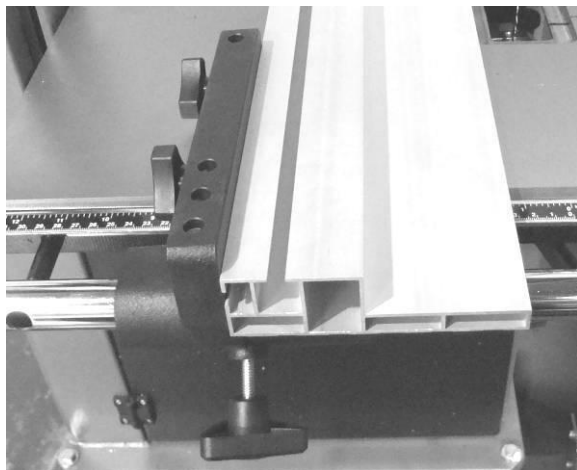
2. Slide the fence support onto the fence bar and install the fence support clamp screw.

3. Slide the fence onto the clamping strip.

4. Lift the fence just clear of the table and secure it in position with the clamping screws.

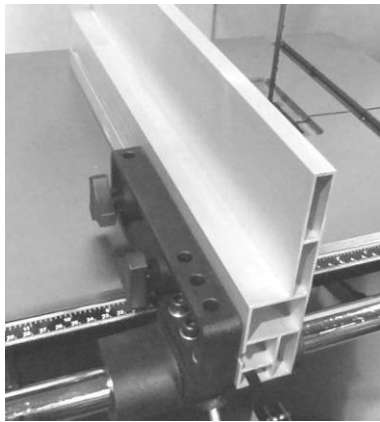


Fence in "low" position

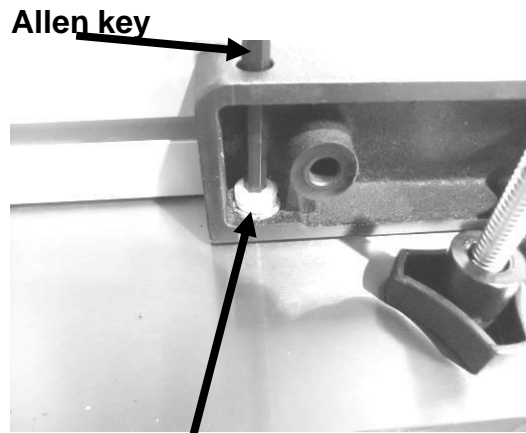


Fence clamped in "low" position





**Fence in high position**



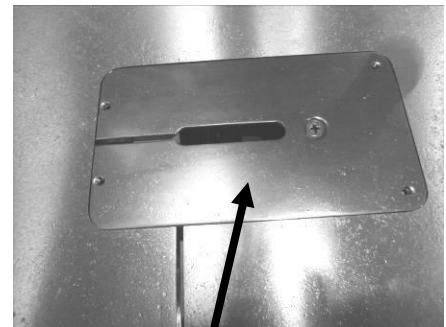
**Support, Allen screw**

The fence support and the fence are held off the table with a nylon-support Allen screw. This screw ensures that the fence and the fence support do not damage the table. The screw is adjustable to compensate for wear.

**Note.** The fence clamp screw is shown removed.

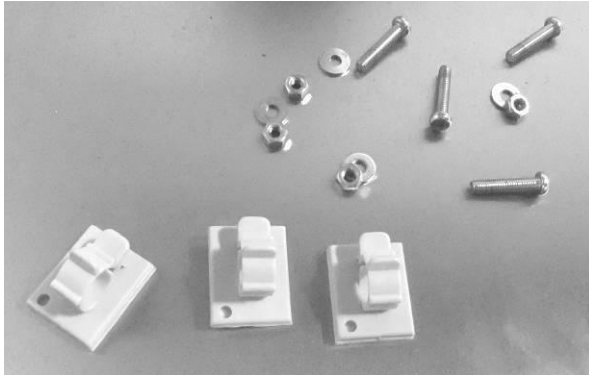
## Installing the table insert

The machine is supplied with a removable table insert that is held in position with a screw. The table insert is removed when blades are removed or fitted to the machine. The insert is made of soft aluminum so that if the blade wanders and contacts the insert, there is less chance of damaging the blade. Adjusting screws are provided to adjust the insert vertically level with the table. The insert comes factory set, but should adjustment become necessary, place the insert in the table with the screw fitted. Place a straight edge across the table and insert and adjust the four perimeter screws until the table insert is level with the top of the table.



**Table Insert**

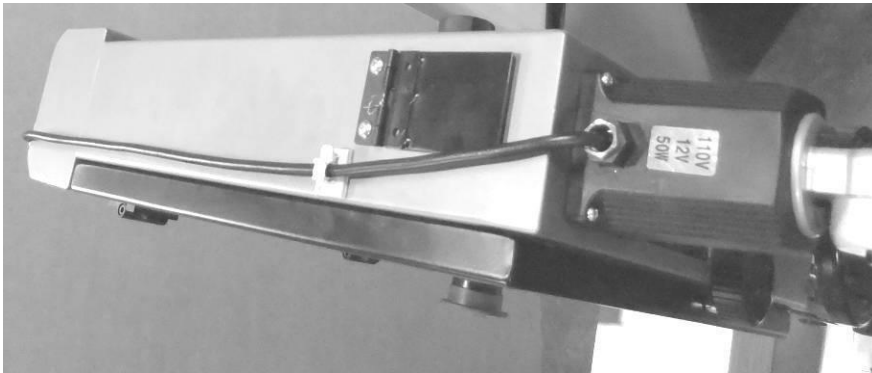
## Attaching the optional light



**Cable clips & hardware**



**Light installed**



**Suggested cable route**



**Light plugged into socket**

The light is attached to the top of the bandsaw as shown. The light is supplied with a three-pin plug to suit either 110V or 220V depending on machine voltage. The cable must be held in position with the clips provided and positioned so that the cable is safe and will not in any way come close to the blade or cabinet door. Above is the suggested cable route. Use the sticky cable clamps to secure the cable along the top of the bandsaw. Ensure that the cable is not over the vertical shaft hole, as it could be damaged when the shaft exits the hole.

## Connecting to electrical supply

**⚠ CAUTION**



110V Electrical plug and cable



220V Electrical plug and Cable

The bandsaw is supplied pre-wired with a 110V (NEMA 5-15P) 3-pin plug or 220V (NEMA 6-15P) 3-pin plug. It is recommended that the bandsaw be connected to a 15-amp breaker. The start/stop button activates the motor.

## Testing the bandsaw

**⚠ CAUTION**

1. Close the doors.
  2. Check that the red Emergency Stop Button is in the fully out position.
  3. Check that the machine is clear of all tools and other loose objects.
  4. Check that all the adjusting and locking handles are tight.
  5. Check that there is no blade installed; it is far safer to test the machine without a blade fitted.
  6. Connect the bandsaw to the electricity supply.
  7. Start the bandsaw by pressing the "I" start button.
  8. The lower flywheel is now turning.
  9. Now is the time to check that the Stop Switch is functioning correctly.
  10. With the machine running (no blade installed), operate the "O" Stop Switch by pressing in, toward the machine. The motor should have the power turned off and slowing down.
  11. If the switches fail to operate correctly, do not use the machine until the fault has been corrected.
  12. With the motor running, press the red emergency stop button. The motor should have the power turned off and slowing down.
  13. With the motor running, press the foot brake pedal.
- The motor should have the power disconnected and come to a stop.

**Should the bandsaw fail the test, it must not be used until the fault has been corrected.**

Emergency Stop Button



Start / Stop buttons

## Before starting the bandsaw

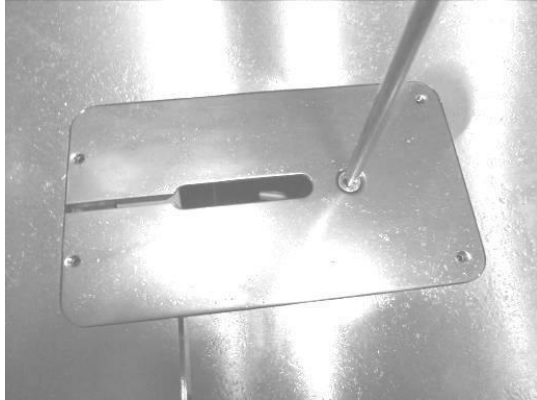
Read and understand the instruction manual before operating the saw.

1. If you are still not thoroughly familiar with the operation of the bandsaw, get advice from a qualified person.
2. Make sure the machine is properly grounded and that the wiring codes are followed.
3. Do not operate the bandsaw while under the influence of drugs, alcohol, or medicine or if tired.
4. Always wear eye protection, safety glasses or a safety shield, and hearing protection.
5. Wear a dust mask; long-term exposure to the fine dust created by the bandsaw is not healthy.
6. Remove your tie, rings, watch and all jewelry. Roll up your sleeves to prevent catching clothes in the saw.
7. Make sure that the guards are in place and always use them. The guards protect you from contacting the blade.
8. Make sure that the saw blade teeth point downward toward the table.
9. Adjust the upper blade guard so that it is just clearing the material being cut.
10. Make sure that the blade has been properly tensioned and tracked.
11. Stop the machine before removing the scrap piece from the table.
12. Always keep your hands and fingers away from the blade.
13. Make sure that you use the proper size and type of blade.
14. Hold the work piece firmly against the table. Do not attempt to saw stock that does not have a flat surface facing down unless a suitable support is used.
15. Use a push stick at the end of a cut. This is the most dangerous time because the cut is complete, and the blade is exposed. Push sticks are commercially available.
16. Hold the wood firmly and feed it into the blade at a moderate speed.
17. Turn off the machine if you must back the material out of an uncompleted or jammed cut.

## Installing a blade to the bandsaw

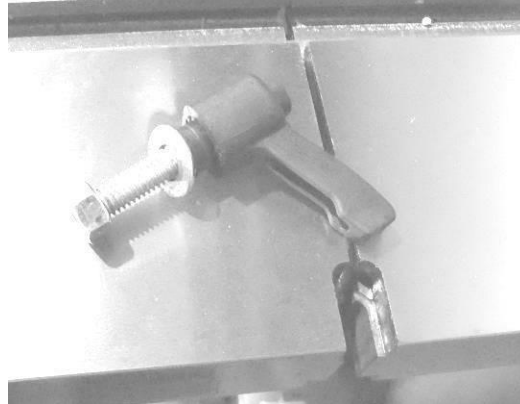
A lot of people do not like to change the blades and go to great lengths to avoid doing it. To use the bandsaw to its greatest advantage, using the appropriate blade and tracking it quickly is important. This is a habit that can be easily developed. If you use a step-by-step method of tracking and tensioning, the procedure should only take a minute or two. Be careful when using blades, especially wide ones. Always use gloves and safety glasses.

**Clamp screw**



**Throat plate**

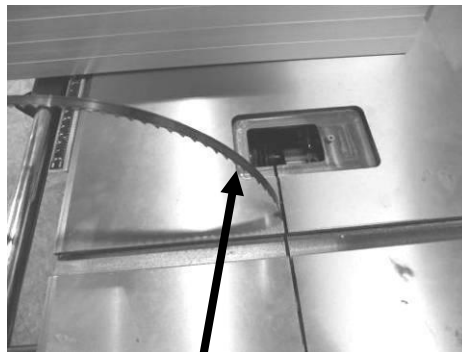
**Table split clamp screw**



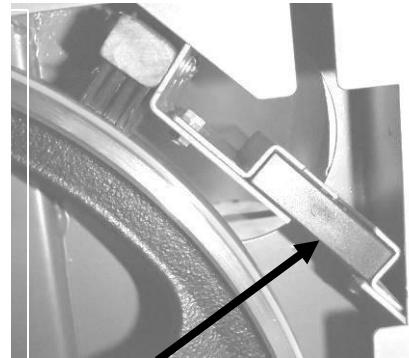
**Table split clamp slot**

### Disconnect power to bandsaw!

1. Remove the throat plate by removing the clamp screw.
2. Remove the table split clamp ratchet handle.
3. Remove the plastic blanking plate.
4. Adjust the side guide and back guide out as far as they will go (both upper and lower guides). This will ensure the guides do not interfere with the blade while you are fitting, tracking, and tensioning the blade.
5. Uncoil the blade. Remember to use gloves and safety glasses. The blade may have dirt or oil on it, so use a clean rag to clean the blade by pulling rearwards so that the cloth does not snag on the teeth.
6. Inspect the teeth and the general condition of the blade. If the teeth are pointing in the wrong direction when you hold the blade up to the machine, you will have to turn it inside out. To do this, hold the blade with both hands and rotate.
7. Slide the blade through the table split.



**Blade in table split**



**Plastic blanking block**

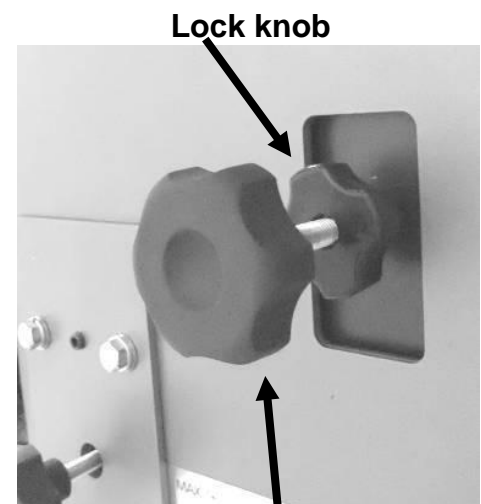
8. Open the blade guard door. Slide the blade over the top flywheel and feed through the slot at the side of the vertical column. Then feed the blade into the blade guard slot and close the blade guard door.
9. Deactivate the quick action blade tension lever and rotate the blade tension wheel so that the blade can fit over the lower flywheel.
10. Activate the quick action blade tension lever.
11. Apply light tension to the blade with the blade tension wheel.

## Tracking the blade

### Tracking position of the blade on the wheels

There are different opinions on the position that the blade should be on the wheels. One group recommends that with large blades you should track the blade so that the teeth hang just over the front edge of the rubber. The second group recommends that all blades, regardless of their size, should run in the center of the wheel. The advantage of running the large blades with the teeth not contacting the rubber of the wheel is that they cannot damage the tire. The disadvantage is that the wheel is crowned, and the blade is not tensioned in the center of the band, which gives the blade a tendency to wobble or flutter. The advantage of running large blades on the center of the wheels is that they are tensioned in the center of the band and have fewer tendencies to wobble and flutter. The disadvantage is that blades with a large set on the teeth tend to damage the rubber of the tire. This does not have a significant effect on the performance of the bandsaw, as all blades are running on the center section of the tire, which is not affected. We recommend that you balance all blades on the center of the wheels for optimum performance and a smoother cut.

1. To track the blade, start rotating the wheels by hand in the normal direction. As you do this, watch the blade to determine where the blade wants to track. If the blade is tracking too far forward or backward, make small adjustments with the tracking adjustment knob located at the back of the bandsaw while still rotating the wheel. Once the blade is tracking in the correct position, fully tension the blade and re-track. Lock the tracking adjustment handle.



Tracking knob



Blade in column slot

**Note.** Tensioning the blade is covered later in the manual.

**2.** Refit the plastic blanking block.

**Note:** The blade must be fully tensioned for final tracking.

**Note:** Never track the blade with the saw running.

**Note.** There is a window on the side of the bandsaw that allows the blade on the upper flywheel to be viewed. This will assist you while you are tracking the blade.

**Blade tension wheel**



## Tensioning the blade

Many options exist on how to tension a blade and if a blade tension gauge is a good investment. Before purchasing a blade tension gauge, note the following points:

Most blade tension gauges are fitted to the blade and measure the amount the blade stretches when you tension it. Each blade manufacturer uses a different type of steel with different tensile strength. This means that each type of steel has a different rate of stretch. For example, if you buy a tension gauge from one blade manufacturer, it is designed for use on their blades, or range of blades, and will not necessarily give accurate readings in lbs./sq. inch on another manufacturer's blades because their blades stretch at a different rate. There is nothing quite as quick or as accurate as experience.

Your machine is fitted with a blade tension indicator, which measures the deflection of the tension spring on the upper flywheel. We recommend that you use it only as a general guide and use one of the following tensioning procedures to tension the blade.

### Method 1:

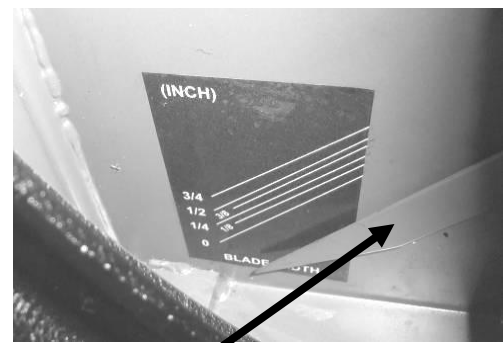
Looking at the top wheel, place your finger at the 9 o'clock position. Move your finger down 6", and, using moderate pressure with your thumb, press on the flat of the blade. You should get 3/16" to 1/4" of deflection. Refit all the guards and close the doors. Replace the table insert and check that the blade moves freely through the table insert. Check that all wrenches and loose parts are removed from the machine. Plug the machine into the power. Turn the machine on for a second and switch off. Watch how the blade runs. If the blade tracks well, then run the machine at full power. If the blade tracking needs adjustment, repeat adjustment.

### Method 2:

Tension the blade as described in method 1.



**Blade tracking window**



Quick action blade tension lever (activated)

Close all the doors and ensure that all the guards are fitted.

Start the band saw and look at the blade from the front of the machine. Start to detension the blade very slowly until the blade starts to flutter (wobble from side to side). Then start to tension the blade until the blade stops fluttering and is running true. Increase the tension on the blade by one complete turn on the tension handle. You may find that each size and type of blade will need additional tension. For example, a 1/16" blade will need less additional tension than a 3/4" blade. Again, experience is the key, and with a little practice it will become second nature.

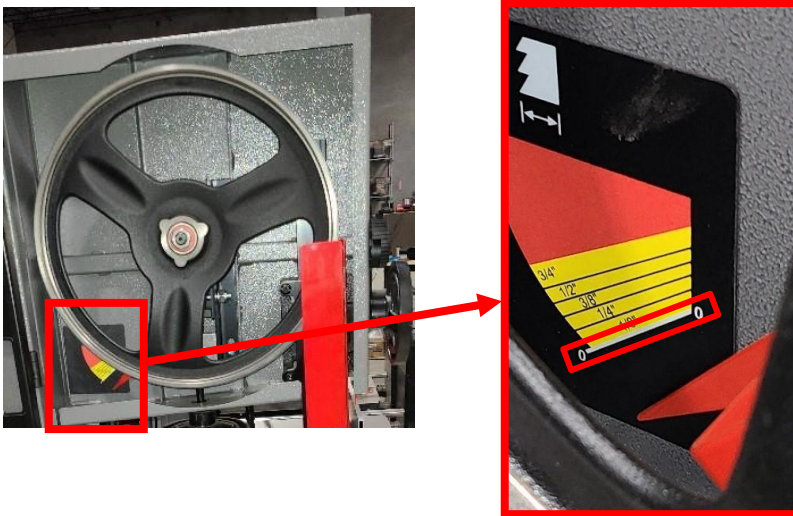
The key to all tensioning is to get the blade to cut straight and true with the minimum amount of tension. The less tension that you put on the blade, the longer the blade and the machine will last.

**Note.** The upper flywheel has a spring that is used to keep a constant pressure on the blade during use. As the blade cuts, heat is generated, which causes the blade length to expand. The spring compensates for the change in length, and you must never bottom out the spring while tensioning the blade.

**Note.** If you are not using the bandsaw for extended periods of time (overnight or longer), remove the tension on the blade. This will increase the life of your blade and the machine. If tension is left on the machine, flats or grooves can be formed in the rubber of the wheels, which will detract from the performance of the machine and in extreme cases cause vibration. Removing the tension will enhance the life of the machine, bearings, and tires.

Label the machine "un-tensioned." On the label, mark the number of turns that you loosened the tension; this way you will know how many turns that you must put back on to have your blade correctly tensioned.

### **Magnetic Blade Tension Gauge:**



- Install blade onto the Bandsaw.
- Adjust upper wheel so blade is snug, but without tension. **The spring is NOT compressed.**
- Move the magnetic scale up or down (along the left side of wheel housing) to align red arrow at "0".
- Now the scale is ready; (e.g. a 1/2" blade, move tension to 1/2" etc.).

**Always use good judgement when tensioning a blade.** The indicator is only a guide to get close to correct tension quickly.



## Removing the blade from the bandsaw

1. Disconnect the power to the bandsaw.
2. Remove the table split clamp that aligns the two table halves.
3. Remove all the guards.
4. Remove the table insert.
5. Remove the tension on the upper flywheel.
6. Open the doors and remove the blade from the wheels (use gloves and eye protection) and gently slide the blade through the table slot.

## Adjusting the blade guides

### Introduction:

Welcome to a new era in band sawing. You have purchased a bandsaw with a revolutionary blade guide system that is designed to give you years of safe, high-quality band sawing. Most blade guides are designed to support the blade on the sides and either above or below the side guides at the back of the blade. This can allow the blade to twist as pressure from the wood being cut pushes against the back blade guide. The Laguna Guide eliminates this by supporting the blade above and below the back blade guide, giving the blade unsurpassed stability. The Laguna Guide also incorporates patented ceramic as the blade support material. The advantage of this material is its ability to resist wear, and with care it should give years of safe service.

**Please read the following notes as they will assist you in getting the optimum performance from your Laguna guide system.**

As with the roller guide systems, the Laguna guide system will damage your blade if it is not adjusted correctly. The guide blocks must not meet the teeth of the blade. It is advisable to run the blade by hand with the guide blocks completely clear of the blade, and only when you are completely sure that the blade is running consistently in the correct position, you may then adjust the surround guide blocks as detailed in this manual.

### **Note on using the Laguna ceramic guide system:**

1. When fitting a blade to your bandsaw, adjust the guide blocks as detailed later and run the blade by hand through the guide blocks for at least two complete revolutions.
2. The weld on a new blade may not be perfectly aligned, and the misalignment could hit the ceramic blocks (side and back), causing damage to the blocks or the blade. If the blade has a bad weld, return it to your blade supplier or side dress and file the back of the blade as needed.
3. The back blade guide is manufactured from ceramic, so as the blade pushes against it, friction between the blade and the ceramic occurs. This action generates a certain number of sparks. This is normal and will become less with time as the back of the blade guide smooths out the back of the blade.

***Note on using the Laguna ceramic guide system cont.***

4. The back blade guide will slowly form a small groove as the blade is used (this is normal). It is recommended that for every 8 hours of use, the guide be rotated 15 degrees. This will ensure that the groove does not become too deep and will extend the life of your guide.
5. The 14-12 Laguna guide system can be used with 1/8" to 3/4" blades.
6. The Laguna guide system uses ceramic to support and guide the blade. This has many advantages (poor conductor of heat, very resistant to wear, etc.). The disadvantage is that it is very brittle, so the guides must never be dropped, exposed to hard knocks, hit with hard objects, or used with badly welded blades. Any of the above actions may cause the ceramic to chip or break and will detract from the performance of the Laguna guide system. Any mistreatment of the guide system will render the warranty void.
7. The side guide blocks must be tightened before running the machine to avoid jamming the blade and damaging the machine and/or guide blocks.
8. When cutting gummy or green wood, the blade can become covered with resin. You will find that the surround guide system ceramic blocks remove the resin as the blade is moved through the guide blocks and keep that part of the blade clean. For this reason, it is recommended that the blocks be adjusted as close to the gullet as possible, but the teeth must not meet the blocks, as they will become damaged. Although the guide blocks clean the blade, some woods will still gum the blade and the resin will have to be removed with solvent.

## Adjusting blade guides

The blade should run through the center of the rear blade guide, and the side guides should be parallel with the blade. If they have been moved out of adjustment, adjust as follows:

### Top Upper Side Guides Parallel Adjustment.

Loosen the side guides and move out as far as possible. Loosen the guide assembly and move back away from the blade.

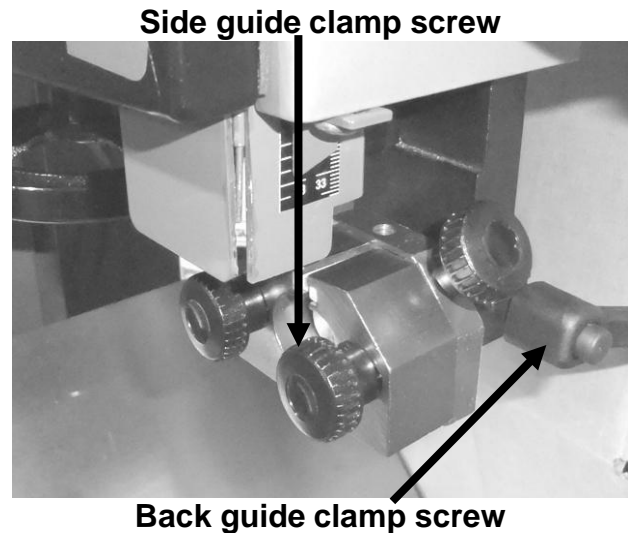
Move the back blade guide forward so it just touches the back of the blade and lock in position.

Loosen the guide clamp screw that allows the side guides to move forward and back. Adjust so that the ceramic blocks are just behind the gullet of the teeth and are parallel to the blade. Retighten the clamp screws.

Gently push one side guide so that it touches the blade and lock it in position. Bring the other guide toward the blade so that there is minimal clearance between the blade and the guide. You can put a thin piece of paper to put between the blade and the guide to obtain the correct clearance until you gain experience. Tighten the clamp screws and remove the paper.

Rotate the blade by hand, ensuring that the weld of the blade does not hit the ceramic blocks, as this will cause damage. If the blade has a bad weld, dress the blade, or return it to your supplier.

Rotate the blade by hand and check that the back of the blade does not hit the blade guide with a bad weld. If the back of the blade hits the back blade guide at the weld, then dress the blade or, in excessive cases, return the blade to the supplier.



### Lower blade guide.

The lower blade guides have two locking screws that, when released, allow the guide assembly to be moved forward and back. Rotate the blade by hand and ensure that it is tracking consistently in the correct position. Loosen the side guides and move out from the blade. Loosen the two clamp screws that allow the guide assembly to move forward and back. Adjust it so that the ceramic blocks are just behind the gullet of the blade and retighten the clamp screws.

Place a dollar bill or piece of paper of similar thickness between the guide blocks and the blade. Gently bring both side guides toward the blade so that slight pressure is exerted on the blade. Tighten the clamp screws and remove the paper. Rotate the blade by hand, ensuring that the weld of the blade does not hit the ceramic block, as this will cause damage. If the blade has a bad weld, dress the blade, or return it to your supplier.

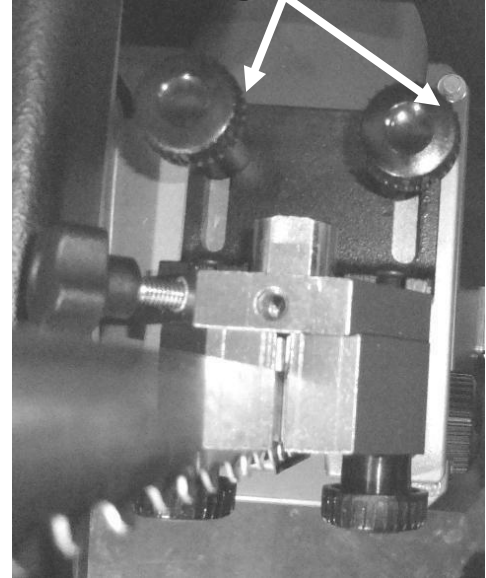
Loosen the rear guide clamp screw and push the guide forward so that it just touches the back of the blade. Tighten the guide in position.

Rotate the blade by hand and check to see that the back of the blade does not hit the blade guide with a bad weld. If the back of the blade hits the rear blade guide at the weld, then dress the blade or, in excessive cases, return the blade to the supplier.

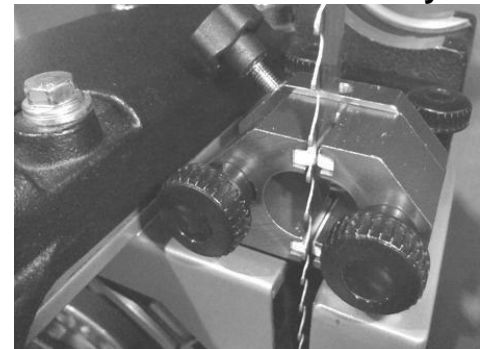
**Note:** You will find that the guides can be adjusted more easily by tilting the table to 45 degrees. **Note:** Rotate the back guide by approximately 15 degrees after every 8 hours of use. This will extend the life of the back blade guide, as it will even out the wear.

**Before you cut any wood, read the safety rules at the front of this manual.**

### Guide locking screws



Lower blade guide shown with the table removed for clarity



Side guides adjusted with ceramic just behind the gullet

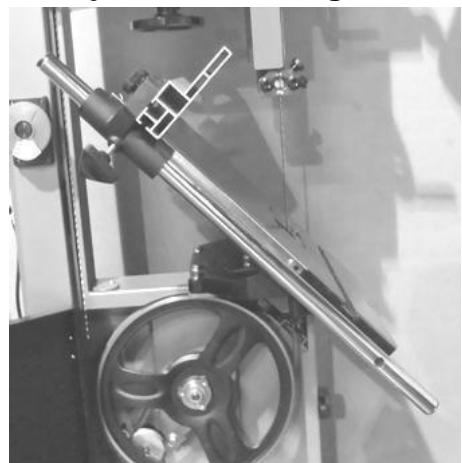


Table adjusted to 45 degrees

## Operating the bandsaw

Although the bandsaw is usually associated with cutting curves, a variety of straight cuts are easily made with the saw. In fact, it is often used to rip wood because it is much safer than a radial arm saw and has a smaller saw cut, so it wastes less wood. This becomes important when using expensive wood where waste must be kept to a minimum. The cut is safer because the force of the cut is straight down on the table; the work cannot be pulled back or kicked back, which sometimes happens with table or radial arm saws. The bandsaw can also cut very thick stock, which the radial arm, or table saw cannot do. The disadvantage of cutting with the bandsaw is that the surface finish of the cut is not as good as with the table or radial arm saw. This can be overcome to a great degree by using the Resaw king blade from Laguna. The blade has many advantages such as superior surface finish to the cut, thin kerf (low wood waste), it can be re-sharpened, will cut hard woods and has a long life.

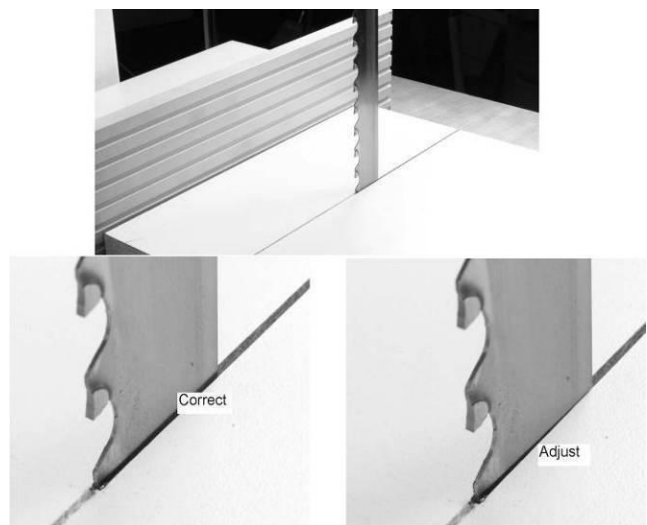
### Ripping.

Ripping is a cut made with the grain of the wood. The four most common cuts made with the grain of the wood are rip, bevel, taper and resaw cuts. There are two frequently used techniques for making straight bandsaw cuts. One technique is to use a single point to guide the work. The rationale for using a single point is that the saw may tend to cut at a slight angle. This is called drift or lead. The single point allows the operator to compensate for the drift and cut the wood straight. With a little practice, you will obtain satisfactory results using this method. However, you now own a real bandsaw, so this method is not recommended. Another method is to use the rip fence as a guide. Once set up, this takes the guesswork out of cutting, reduces the stress on the operator and is necessary for volume work. Once you have mastered the setup procedure, you will tend to use the single point method less and less.

## Adjusting the fence for drift

### Method 1

1. Make a straight pencil line on the edge of a board.
2. Feed the wood into the blade cutting next to the pencil mark. If the blade is drifting, you will have to compensate by angling the wood to keep the cut straight.
3. Stop the cut in the middle of the wood and mark (with pencil) the angle on the table. This is the angle of drift, and you will have to set the fence to the pencil line.



4. To adjust the fence, loosen the clamp bolts that attach it to the cast bracket. Move the fence so that it lines up with the pencil mark on the table and retighten the clamp screws.

## Method 2

1. Set the fence parallel with the blade by loosening the clamp screws that hold it to the cast bracket. It is not important that it is exact because you will be readjusting later in the procedure.

2. Using a piece of scrap wood, make a cut while holding the wood against the fence. Stop the cut in the middle of the wood.

3. Look at the position of the back of the blade within the saw cut. The back of the blade should be in the center of the slot, but you will find that it is closer to one side.

4. Slightly loosen the clamp screws and adjust the fence to compensate.

Repeat steps 2, 3 and 4 until the blade is centered.

**Note:** You may have to do several fine adjustments, and it is better to do several small adjustments until you become skilled at the procedure. Once you have mastered the process, it should only take a minute to perform the adjustment.

**Note:** Each blade has a slightly different drift, and each time you change a blade, you must check and readjust if necessary.

**Note:** It is worth taking the time to set the fence accurately as it will save frustration and enhance the performance of your machine.

## Adjusting the table rule

There is a rule that is fitted to the side of the table and can be used as a quick guide on the distance that the fence is from the blade.

**Note.** The rule will have to be adjusted each time the fence is adjusted for drift, as this will change the distance the fence is from the blade.

Once the fence has been adjusted for drift:

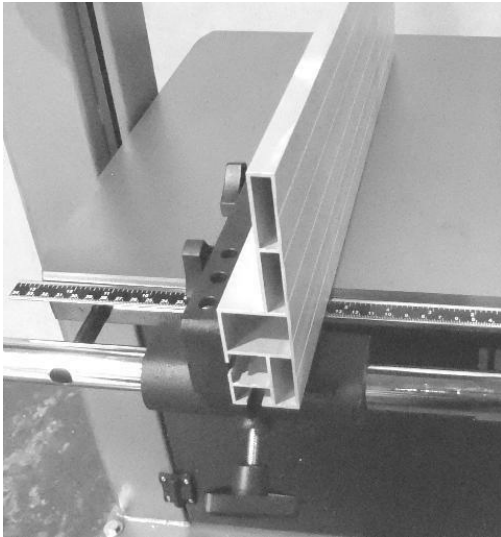
1. Lock the fence to the rail.

2. Measure the distance from the front of the blade to the fence.

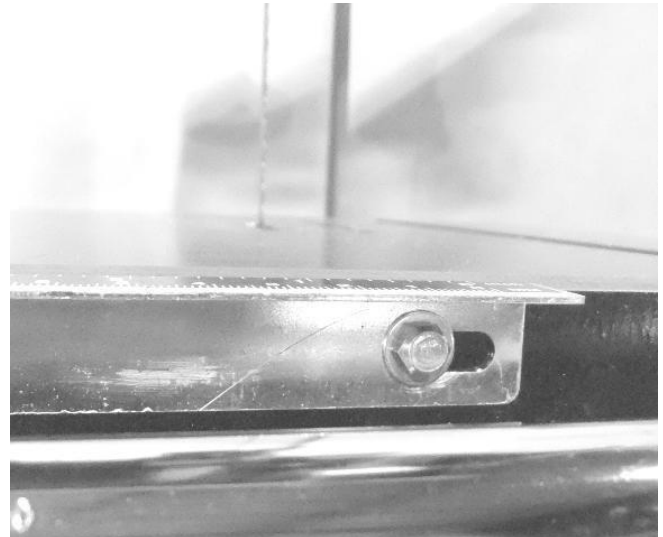
3. Check the distance indicated on the rule.

4. Loosen the clamp bolts and adjust the rule.

5. Tighten the clamp bolts and recheck.

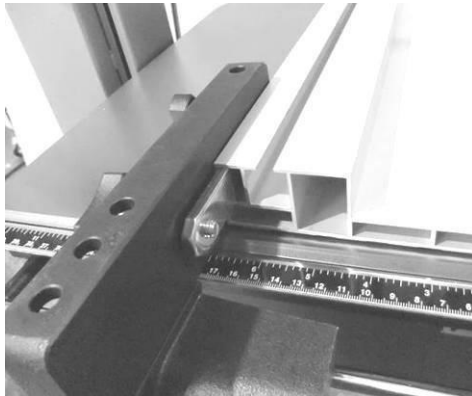


**Table rule**

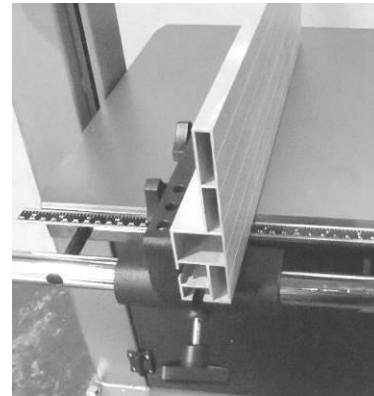


**Adjustment slot**

## Fence position



**Fence in low position**



**Fence in high position**

The aluminum fence can be used in two height positions (high and low). The low position is handy for cutting thin wood and is used where the fence in the high position would make it awkward to complete cuts. The fence in the high position is used for supporting tall work.

### **Changing the fence height.**

1. Loosen the clamp screws that are located on the cast bracket.
2. Slide the aluminum fence off the cast iron bracket.
3. Slide the aluminum fence back onto the bracket using the second slot and retighten the clamp screws.

## Resawing

Resawing is the process of cutting a board in half along its height. The bandsaw is the most creative tool in the shop because of its ability to cut thick or thin, straight, or curved. The ability to cut thick stock such as re-sawing, making veneers, book matching or cutting flitches from small logs has great appeal to the woodworker. These capabilities enhance the woodworker's design ability without the need for additional equipment. When a board is resawed and the two pieces are lying next to each other, you will note that they are mirror images of each other. When these two boards are glued together, it is called book-matching.

**Note: It is unsafe to cut wood that is unsupported by the table and should never be attempted. This is especially important to note when cutting round logs.**

## Blades

### Introduction.

The selection and use of blades is a very extensive subject, and there have been many books written on it. This section of the manual is intended as a general guide only.

## Selecting a blade

Using the correct blade is important, as it is the first step in attaining good bandsaw performance. The most frequently asked question is "How do I decide on the correct blade to use?" The answer is not simple, and we will explore it in this section of the manual. Firstly, there is **NO** ideal blade that will do everything. The blades that you choose will be determined by the type of work that you are doing. Large-tooth wide blades are selected for fast course cuts, and fine, thin blades are used for intricate scrollwork. You will find that you will need a large selection of blades if you do a lot of varied work and fewer blades if you are concentrating on one section of band sawing such as re-sawing. Using the wrong blade is the best way to abuse it. Using a blade for its intended purpose allows for maximum efficiency and is the best way to prolong its life.

## Blade terms

### Set-

The amount that the teeth are wider than the thickness of the backing material. The larger the set, the larger the saw cut and the smaller the radius that can be cut. This can also be an



advantage if you are cutting a job that tends to nip the blade. The smaller the set, the smaller the saw cut and the larger the radius that can be cut; the wood waste is less. On tipped blades (Resaw King) there is no set, as the tip is wider than the backing material.

### **Thickness-**

The thicker the blade, the stiffer the blade and the straighter the cut. The thicker the band, the greater the tendency for the blade to break.

### **Pitch-**

The size of the teeth. This is usually quoted in teeth per inch (TPI). The larger the tooth, the faster the cut because the tooth has a large gullet and has a greater capacity to transport large amounts of sawdust through the job. The larger the tooth, the coarser the cut and the poorer the surface finish of the cut. The smaller the tooth, the slower the cut as the tooth has a small gullet and cannot transport substantial amounts of sawdust through the job. The smaller the tooth, the finer the cut and the better the surface finish of the cut

### **Material Hardness-**

When choosing the blade with the proper pitch, one factor you should consider is the hardness of the material that is being cut: the harder the material, the finer the pitch that is required. For example, exotic hardwoods such as ebony and rosewood require blades with a finer pitch than American hardwoods such as oak or maple. Soft wood such as pine will quickly clog the blade, decreasing its ability to cut. Having a variety of tooth configurations in the same width will give you an acceptable choice for a particular job. There are certain things that indicate if a blade has a proper pitch, too fine a pitch or too coarse a pitch. Some are listed below:

### **Proper Pitch-**

Blades cut quickly.

A minimum amount of heat is created when the blade cuts.

Minimum feeding pressure is required.

Minimum horsepower is required.

The blade makes quality cuts for a prolonged period.

### **Pitch Is Too Fine-**

The blade cuts slowly.

There is excessive heat, which causes premature breakage or rapid dulling.

Unnecessarily high feeding pressure is required.

Unnecessarily high horsepower is required.

The blade wears excessively.

### **Pitch Is Too Coarse-**

The blade has a short cutting life.

The teeth wear excessively.

The bandsaw vibrates.

**Width-**

The dimension from the back of the blade to the front of the teeth. The wider the blade, the stiffer the blade and the straighter the cut. This is usually called beam strength. But wide blades cannot cut small radiuses.

The narrower the blade, the more flexible the blade and the greater the tendency the blade must wander. These have low beam strength but can cut small radiuses. Blades are available from 1/8" up for your machine.

**Kerf-**

The width of the saw cut. The larger the kerf, the smaller the radius that can be cut, the greater the amount of wood the blade must be removed by the blade and the greater the horsepower that is needed because the blade is doing more work. The greater the kerf, the larger the amount of wood that is being wasted by the cut.

**Hook or Rake-**

The cutting angle or shape of the tooth. The greater the angle, the more aggressive the tooth and the faster the cut. But the faster the cut, the faster the tooth will blunt, and the poorer will be the surface finish the cut will have. Aggressive blades are suitable for soft woods but will not last when cutting hard woods. The smaller the angle, the less aggressive the tooth, the slower the cut and the harder must be the wood that the blade is suitable to cut. Hook teeth have a progressive cutting angle and take the form of a progressive radius. They are used for fast cutting where finish is not important. Rake teeth have a flat cutting angle and are used for a fine surface finish of the cut.

**Gullet-**

The area in which the sawdust must be transported through the wood, the larger the tooth (pitch) the bigger the gullet is.

**Relief-**

The angle from the tip of the tooth back. The greater the angle, the more aggressive the tooth but the weaker the tooth.

**Beam Strength-**

This is the ability of the blade to resist bending backwards. The wider the blade, the stronger the beam strength; therefore, a 1" blade has far greater beam strength than a 1/8" blade and will cut straighter and is more suitable for resawing.

**Blade Selection-**

As you have seen from the previous section, there are a vast number of variables. The blade selection that you will make will depend on the type of work that you intend to do with your machine. If you have experience with the bandsaw, you will have a good idea of the blades that are suitable for you. If you lack the experience or are unsure of the type of work you will be doing with your machine, we recommend that you purchase a selection like that listed below, which is a good general selection and will allow you to tackle most jobs. As you gain experience, you will settle on the blades that suit you.

1. 1/4" 6 TPI. This is a small, aggressive blade that is suitable for tight curves and fast cutting where a good surface finish of the cut is not important.
2. 1/4" 14 TPI. This is a small, fine blade suitable for tight cuts where the surface finish is important but speed of cut is less important.
3. 1/2" 3 TPI. This is a general-purpose blade that can cut large radiuses and short sections of straight cuts. The cut is fast, but the surface finish of the cut is poor.
4. 3/4" 3 TPI. This is a general-purpose blade, which will be used for straight cuts and is suitable for large radiuses.
5. 1" 2 TPI. This is a resaw blade, which will be used for straight cuts and is suitable for processing veneers.
6. If you are going to be cutting hardwoods or require superb surface finish, then you should consider purchasing a Resaw King blade from Laguna.

## Rounding the back of the blade

With most guide systems it is recommended that the back of the blade be rounded with a stone. As the machine is supplied with Laguna ceramic guides, this is not imperative because the ceramic will round the back of the blade as it is used. However, if you decide that you want to round the back of the blade, a procedure follows.

A round blade back creates smooth interaction between the thrust bearing and the blade. If the blade rotates slightly, there is no sharp blade corner to dig into the thrust bearing; also, the rounding process smooths the weld. A blade with a round back makes tight turns better because the round back has smooth interaction with saw kerfs.

After the guides have been adjusted and the machine is running, hold the stone against the back corner of the blade for about a minute. Wear safety glasses when rounding the blade. Then, do the same thing on the opposite corner. Next, slowly move the stone to round the back. The more pressure you put on the back, the faster you will remove the metal. Be careful that the inside of the machine is free of sawdust because sparks could start a fire. On small blades such as a 1/4" blade, the pressure on the back of the blade may bring the blade forward off the front of the wheels. Therefore, be careful not to put too much pressure on the stone. When doing this, it is also important that the upper guides be positioned right above the stone.

**The blade has teeth and extreme caution must be exercised, as your hands will be close to them.**

## Causes of blade breakage

1. Excessive blade thickness in relation to the flywheel diameter.
2. Defective welding.
3. Incorrect tension, particularly if the blade is over tensioned; the tension spring no longer fulfils its function.

4. After use it is recommended that you slacken the tension, especially overnight. (Be sure to place a clearly visible note on the machine that you have done this.)
5. Misalignment of the flywheels.
6. Irregularity of flywheel surface, for instance, an accumulation of sawdust while cutting resinous materials.

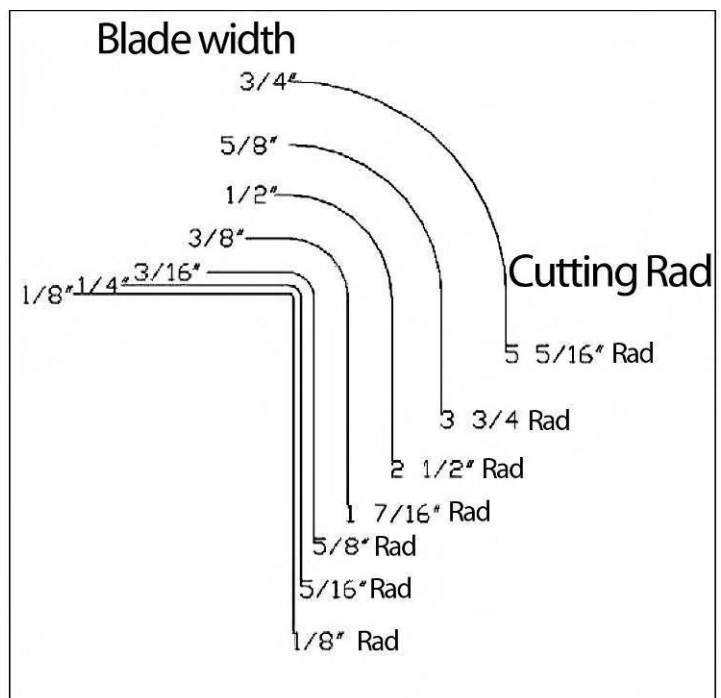
You can correct these problems by readjusting the machine, changing the way you operate it or by changing the blade. Try only one change at a time.

## Causes of blade dulling

1. Poorly set side guides or rear thrust guide.
2. Poor tracking.
3. Wrong blade selection. If the blade is too narrow, it will flex more easily and decrease the quality of the cut. The blade should also have the correct pitch and width.
4. The tooth pitch is too fine (too many teeth per inch).
5. Certain woods will dull a steel blade very quickly, especially tropical hardwoods (teak, koa, etc.). Other woods with a high silicon content will also dull the blade quickly; even a cut as short as 6" will cause damage to the blade.
6. On certain exotic woods, the ends have been painted. This is done to control the drying. The paint is very abrasive and will dull the blade as you cut through it. It is recommended that you cut the painted ends off your wood.

## Using a radius chart

Until you become well acquainted with your saw, it is best to use the contour (radius) chart to determine which size blade to use for a specific application. Radius charts can be found in many woodworking books, magazine articles and on blade boxes. They differ slightly from one another but are good as rough indicators of how tightly a curve can be cut with a particular blade. Each blade saw and operator is different, so it is impossible to make a truly accurate chart. A blade can cut continuously without backtracking any curve that has a radius as much as or more than is shown on the chart. For example: a 3/16" blade will cut a circle with a 5/16" radius or a 5/8" diameter. To test if a 3/16" blade



would work for a particular curve, place a dime (roughly 5/8") over the pattern. The 3/16" blade can cut a curve bigger than the dime, but not smaller. You can use everyday items such as coins or a pencil to determine which blade to use. A quarter is the size of the tightest cut that can be made with a 1/4" blade. A dime is the size of the tightest curve that can be cut with a 3/16" blade. A pencil eraser is the size of the tightest turn that you can make with a 1/8" blade. After a while you will not even need an object to size the possible curve of a blade because you will have become familiar with this process.

There are options to matching the blade to the smallest curve pattern. If there is only one very tight cut, it may be best to use a turning hole, a relief cut, successive passes or to change the blade. If you have a lot of cutting to do, you can use a wider blade for the bigger curves and then switch to a narrower blade for the tighter curves. Changing the blades can often save cutting and finish time. The chart above is only a rough guide and is **not to scale**, but from the information you can construct your own guide.

## How to coil a bandsaw blade



Without a doubt it is more difficult to explain how to coil a bandsaw blade than it is to do it. Nevertheless, below are easy-to-follow instructions on folding a blade.

### **Method One.**

While wearing a jacket or long-sleeved shirt and gloves, hold the blade in front of you in one large loop, with the teeth facing towards you. Place your foot on the blade, holding it on the ground. Grasp the blade with both hands, with your thumbs to the outside, at the 10 o'clock and 2 o'clock positions (Step 1). Slowly twist the top of the blade away from your body (Step 2). Bring your hands together to form two loops while folding down (Step 3). Continue rotating the blade until you form three loops.

**Note.** It is recommended that the blade be placed on material that will not damage the blade teeth (wood or cardboard). Your foot is there to give stability and not to clamp the blade, so do not exert excessive force, or the teeth/band may be damaged. The photographs are shown without gloves to enable the hand/thumb position to be shown. Gloves must be worn, as the blade could cause injury.



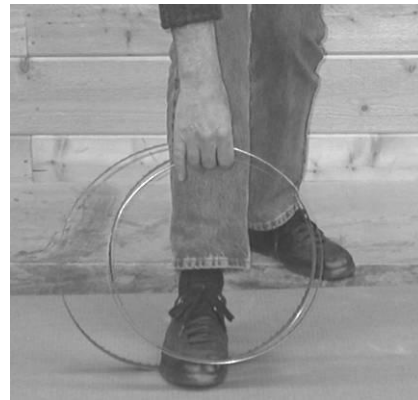
**Step 1**



**Step 2**



**Step 3**

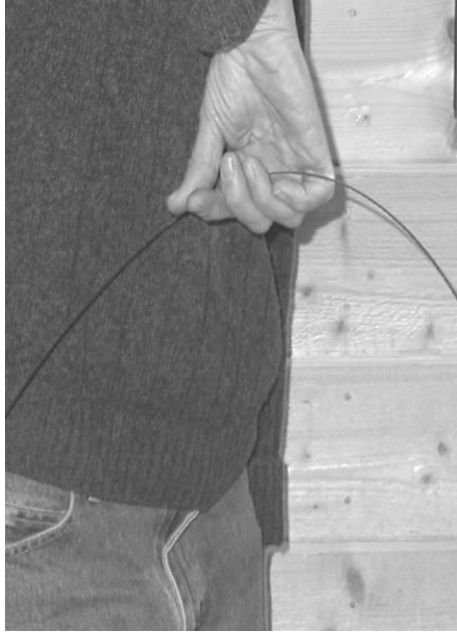


**Done**

**Note:** To show the correct hand/thumb position in the photographs, he is not wearing gloves, but **gloves MUST BE WORN** as the blade could cause injury.

**Method Two.**

There is another variation of this that works well with small blades but simply is not possible for larger bandsaw blades, unless you are big and strong. This method works the same as the method above, but rather than holding the blade with both hands, grasp the blade at the top while holding the bottom of the blade with your foot (teeth still facing away from you). Grasp the blade with your hand, twisting your arm such that your elbow is facing away from your body (Step 1). Turn the palm of your hand toward your body about 180 degrees and then continue turning while pushing down on the blade (Steps 2, 3 and 4). The blade will fold down upon itself into three circles, lying flat on the ground (Done).



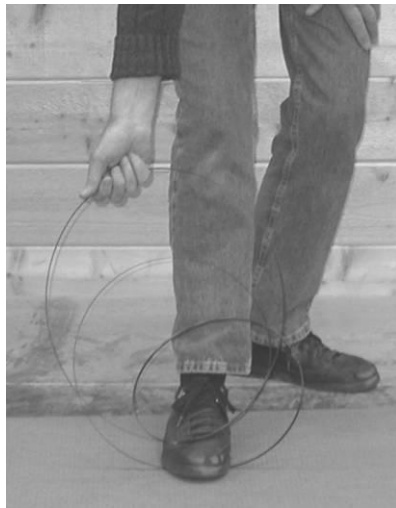
**Step 1**



**Step 2**



**Step 3**



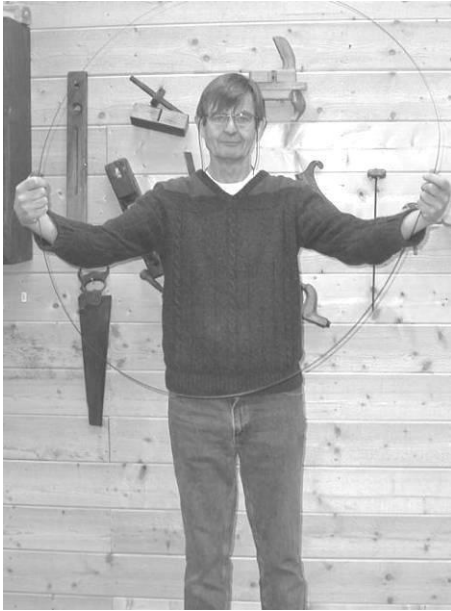
**Step 4**



**Done**

**Method Three.**

The steering wheel method. Start with the blade in front of you, as if you are holding a steering wheel with your hands at the 9 o'clock and 3 o'clock positions. Simultaneously twist your left hand up and your right hand down. As the blade starts to fold, move your hands closer together while tilting your left hand to the right and your right hand to the left. The blade will fall into three coils. A variation of this method is to hold the blade as above, but twist both hands inward, so you are looking at your knuckles and the blade will again fall into three coils.



**Step 1**



**Step 2**



**Step 3**



**Step 4**



**Done**

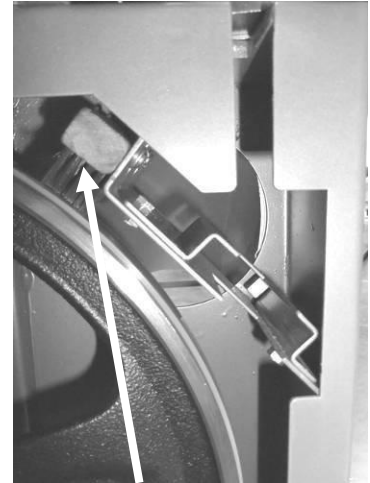


## Maintenance

All tools and machines require regular maintenance, and the bandsaw is no exception. This section details the general maintenance and care of your bandsaw. In general, we recommend that you only use a Teflon-based lubricant on the bandsaw. While regular oil attracts dust and dirt, Teflon tends to dry and has fewer tendencies to accumulate dirt and sawdust on your machine.

### **Tire maintenance.**

One of the major concerns regarding the maintenance of the bandsaw is how clean the tires are. As the saw cuts, some sawdust lands on the tire of the lower wheel. As the wheel rotates, the sawdust becomes compressed on the tire. This is especially true for woods such as pine. The compressed sawdust could have a negative effect, such as vibration, short blade life and drifting of the blade. A brush contacts the lower wheel and helps to prevent build-up. You should inspect the tires regularly to check that build-up is not happening, especially the lower wheel. The tires are made of rubber and wear just like car tires. They wear in the middle, which causes a concavity in the tire.



**Tire brush**

## Tire Maintenance cont.

Tire deformation makes it hard to track the blades, and for this reason it is important to maintain the original shape of the tire. The best way to clean the tire surface and maintain the original shape is to sand it with sandpaper. The old tire surface often hardens and glazes over and should be redressed occasionally. This can be done by sanding the wheel with 100-grit sandpaper. This will take off a little of the rubber and expose new rubber, which is desirable. Rotate the wheels by hand with the blade removed.

### Replacing Tires.

When tires have significant wear or are damaged, they should be replaced. The link below offers assistance with the process to change tires.

<https://youtu.be/hqbP-U-0PSE>

Remove the new tire(s) from the packaging and allow to rest overnight.



1. Turn OFF bandsaw and disconnect power!
2. Remove bandsaw blade. See “Removing the blade from bandsaw”.
3. Remove the wheel(s) of the bandsaw by removing the nut securing the wheel.
4. Place the wheel flat on a workbench. It can be helpful to place the bandsaw wheel onto a wood dowel placed into the workbench or end vise.
5. Remove the old tire using a scrap of wood to pry up the tire (or being very careful with a slotted screwdriver not to damage the wheel). Clean and wipe the wheel.
6. Install the new tire. It can be helpful to use two spring clamps (soft pads) to hold the tire while placing it around the wheel.
7. Using the dowel (or screwdriver) between the new tire and wheel, move it around the circumference of the wheel to help seat the new tire properly.
8. Install the wheel(s) back into the bandsaw.

### Guides.

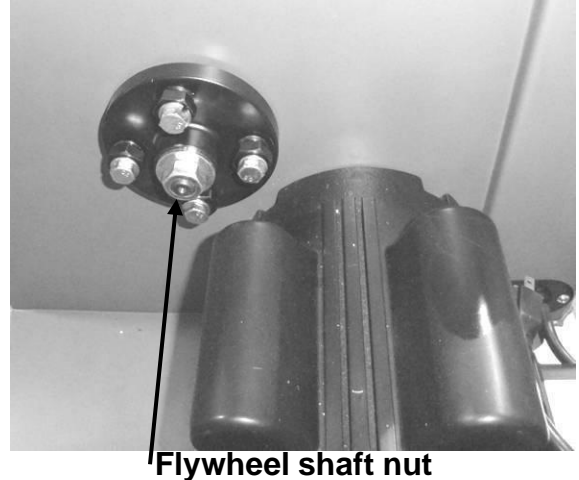
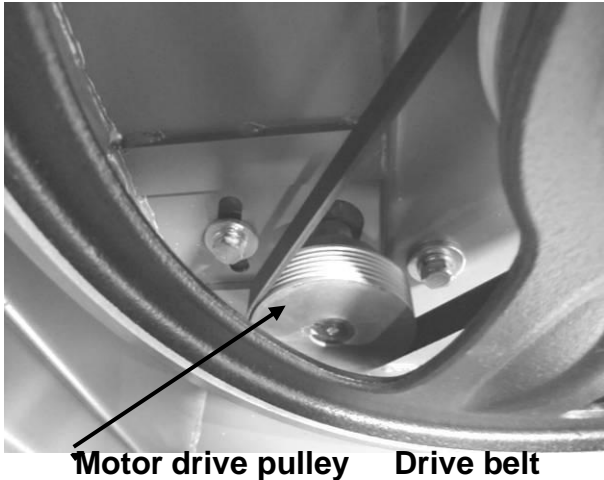
The ceramic side and back guides should be inspected regularly for cracks and chips. If they are damaged, they should be replaced as they could damage your blades and bad guides will detract from the performance of the bandsaw. The guides should be cleaned regularly, and any wood gum or dirt removed. Any commercially available solvent can be used, and after cleaning they should be lubricated with Teflon-based lubricant.

### Drive Belt.

The drive belt should last for many years (depending on the usage) but needs to be inspected regularly for cracks, cuts, and general wear. If damage is found, replace the belt.

## Replacing the drive belt:

### Drive belt adjusting bolt



To replace the belts, you will have to remove the lower flywheel.

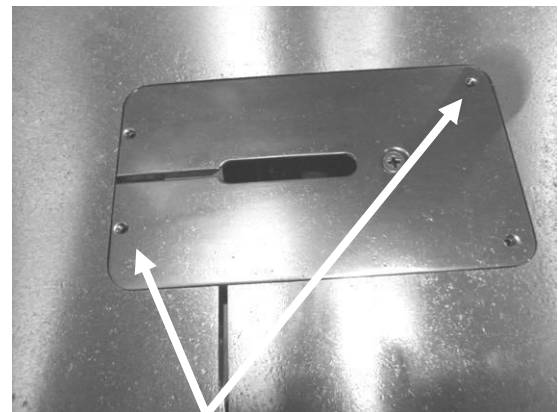
1. Loosen the motor clamp bolts and move the motor so that the tension is completely removed from the drive belt. Remove the blade. Loosen the two hex nuts that hold the brake to the bandsaw frame and slide it out of the way of the disc.
2. Remove the flywheel shaft nut that clamps the wheel axle (back of the bandsaw).
3. Pull the lower flywheel off the bandsaw. You may have to use a gear puller to remove the lower wheel.
4. Replace the drive belt.
5. Refit the lower wheel and re-clamp with the flywheel shaft nut.
6. Tension the drive belt and tighten the motor clamping bolts.

**Note.** It is better to replace the drive belt early than to have a breakdown during an important job.

**Note.** Take great care not to damage the bearings when taking the flywheel off and reassembling.

### **Table Insert.**

The table insert (throat plate) is made of aluminum and is designed to reduce damage to the blade should they come in contact. If the blade slot becomes too wide or the insert becomes damaged by the blade, it should be replaced. The replacement insert will have to be fitted to the table hole. The insert is provided with four jacking screws that can be adjusted so that the insert is level with the top of the table.



### **Bearings.**

All bearings are sealed for life and do not require any maintenance. If a bearing becomes faulty, replace it.

## Rust.

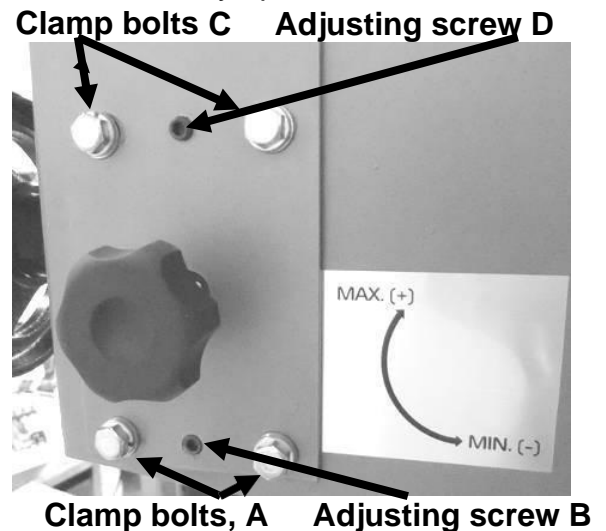
The bandsaw is made of steel and cast iron. All non-painted surfaces will rust if not protected. It is recommended that the table be protected by coating with wax if the machine is not in constant use. All moving non-painted surfaces (guides, rack, and pinion, etc.) should be lubricated/protected with a Teflon-based lubricant.

## Blade guide rack and pinion.

The top guide when moved vertically tracks the blade and comes factory-set. Adjustment is provided should that mechanism become misaligned. This is a tricky operation and should only be attempted if an extreme error has occurred.

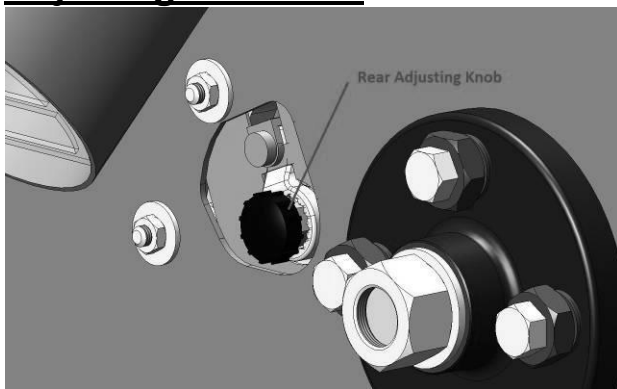
## Back guide forward/back adjustment.

1. Four clamping bolts and two adjusting screws are provided.
2. Slightly loosen the two clamp bolts A and tighten the bottom adjusting screw B will bring the guide forward.
3. Slightly loosen the two clamp bolts C and tighten the top adjusting screw D will bring the guide back.
4. Make only small adjustments. Tighten the clamping bolts prior to checking the guide vertical movement.

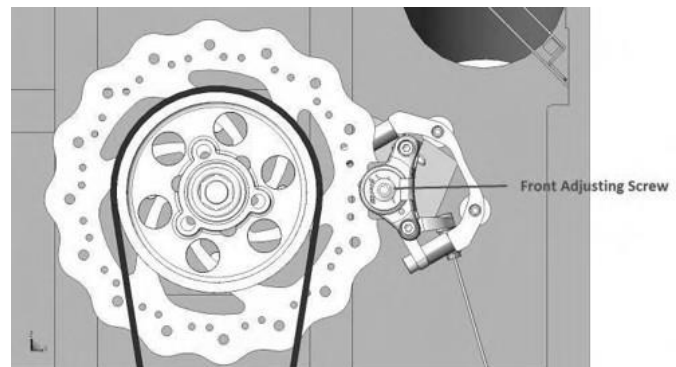


**Note:** The machine comes factory-set, and no adjustment should be required.

## Adjusting the break:



**Back break adjustor**



**Front brake adjustor (Flywheel not shown for clarity)**

The back break adjustor moves clockwise to remove slack in the brake pad.  
The front brake adjustor is rotated clockwise with an Allen key to remove slack in the brake pad.

## **Adjusting the table square to the bandsawblade:**

**Note.** The machine is set in the factory and no adjustment should be required but during transportation movement may occur.

To access the adjustment screws, you will have to tilt the table up to 45 degrees and lock in position.

The adjustment is made with the jacking screws 1 & 3 only. Jack screw 5 and clamp screws 6 are used for support only.

1. Set the table to 90 degrees and place an engineer's square on the table and check if the blade is leaning forward or backward. The blade will be parallel, and it is easier to check the blade at the back.

2. Tilt the table up to 45 degrees and lock in position.

3. Loosen jack screw 5 and clamp screws 6 [only used for support and not adjustment].

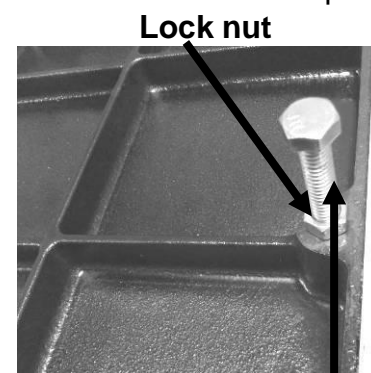
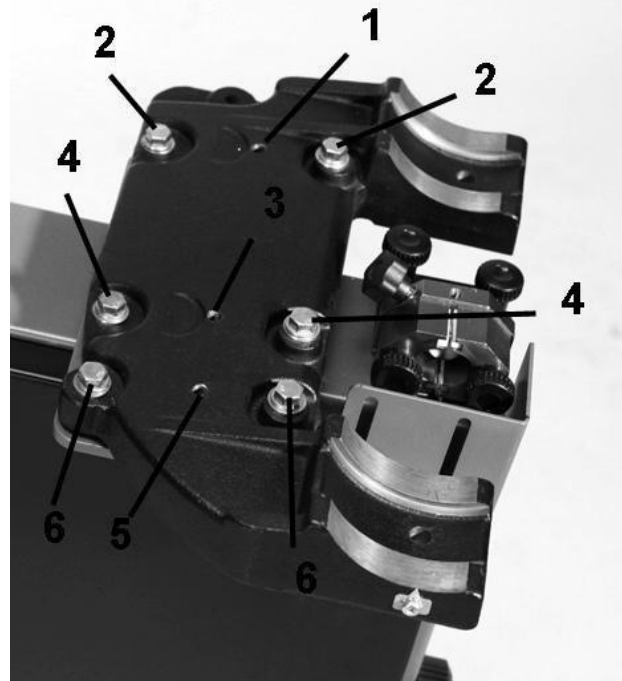
4. If the top of the blade is leaning forward [gap at the top of the engineer's square], the back of the table will have to be adjusted up. Slightly loosen set screw three and the two hex head screws 2, when loosening the clamp hex head screws ensure that they are loosened the same amount. Then fully tighten set screw one and the two hex head screws 4. Only make small adjustments as a small movement of the jack screws makes a large adjustment of the table. Move the table back to 90 degrees, clamp in position and check if the blade is square to the table with the engineer's square. Repeat adjustment if required.

5. If the top of the blade is leaning back [gap at the bottom of the engineer's square], the front of the table will have to be adjusted up. Slightly loosen set screw three and the two hex head screws 2. Then fully tighten set screw one and the two hex head screws 4. Only make small adjustments as a small movement of the jack screws makes a large adjustment of the table. Move the table back to 90 degrees, clamp in position and check if the blade is square to the table with the engineer's square. Repeat adjustment if required

6. Once adjustments have been completed, lightly tighten set screw five and the two-clamp hex head screw six. Do not over tighten as this will bend the steel support plate and may affect the adjustment that you have made.

## **Adjusting the table square to blade:**

The table has a reference stop bolt that is used to quickly align the table after tilting. The stop bolt hits the tilt-blanking disc when it is positioned over the table tilt hole. When the tilt blanking disc is moved away from the hole, it allows the tilt stop



**Tilt stop bolt**

bolt to pass through the table tilt hole, and the table can be moved to the maximum amount of tilt (-7 degrees).

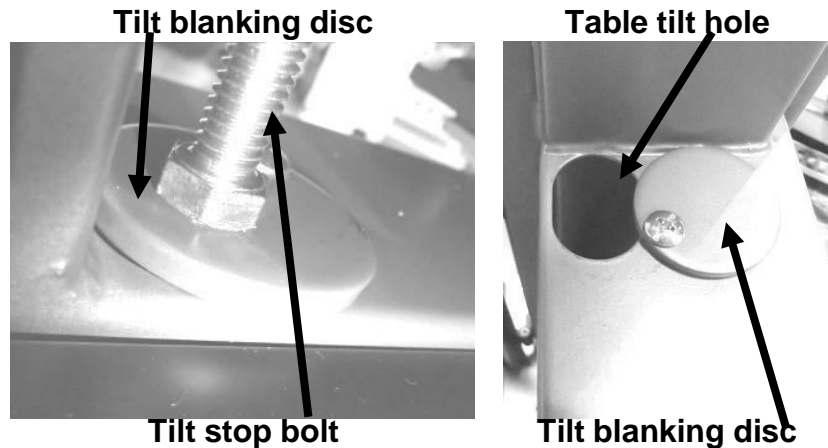
To adjust the table square to the blade.

1. Check that the stop bolt is in contact with the tilt-blanking disc.
2. Place an engineer's square on the tabletop and bring up to the side of the blade.
3. Check if the blade is square to the table.
4. If adjustment is required loosen the lock nut on the tilt-stop bolt and adjust in the required direction.

**Note.** Only adjust the tilt-stop bolt in small steps.

5. Tighten the lock nut and re-check the blade square to the table.

6. If additional adjustment is required repeat above steps.



## Troubleshooting

### **Bandsaw will not start.**

1. Check that the (red) Emergency switch is fully pulled out.
2. Check that the electrical power cord is plugged into the power outlet.
3. Check that the electrical supply is on (reset the breaker).
4. Check that you have the correct power, 110V or 220V.

### **The machine will not stop.**

This is a rare occurrence, as the machine is designed to be fail-safe. If it should occur, and you cannot fix the fault, seek professional assistance. The machine must be disconnected from the power and not run until the fault has been rectified.

1. Stop switch faulty. Replace the stop switch.
2. Internal breaker faulty. Replace the breaker.

### **Motor attempts to start but will not turn.**

1. With the power disconnected from the machine, open the doors, and try to turn the wheel by hand. If the wheel is not turning, check the reason for the jamming. Typical reasons are guides too tight; wood jammed in the wheel. Adjust guides or remove jammed wood. Brake engaged. Disengage brake.

2. Capacitor faulty. Replace the capacitor.
3. Motor faulty. Replace the motor.

### **Squeaking noise.**

1. Check that the motor cooling fan is not contacting the fan cover.
2. Check the bearings.
3. Check the drive belt.
4. Check that the guides are adjusted correctly.

### **Upper guide shaft is tight or loose.**

1. Clean and lubricate.
2. Adjust rack and pinion.
3. Bent rack. Replace the rack.

### **Blade slows down during a cut.**

1. Loose drive belt. Re-tension the belt.
2. Dull blade. Replace the blade or have it re-sharpened.
3. Feeding the wood too fast. Slow down the feed rate.
4. Insufficient set on the teeth (wood nipping the blade). Change blade for a blade with the correct set.
5. Oil or dirt on the drive belt. Clean or replace the drive belts.
6. Fence not aligned correctly. Align fence.

### **Blade will not track on flywheels.**

1. Bad blade. Change the blade.
2. Crown on the wheels worn or damaged tire. Dress the tires.

### **The blade kicks.**

Bad blade. Replace the blade.

### **The blade makes a clicking noise.**

Bad weld. Dress the weld or change the blade.

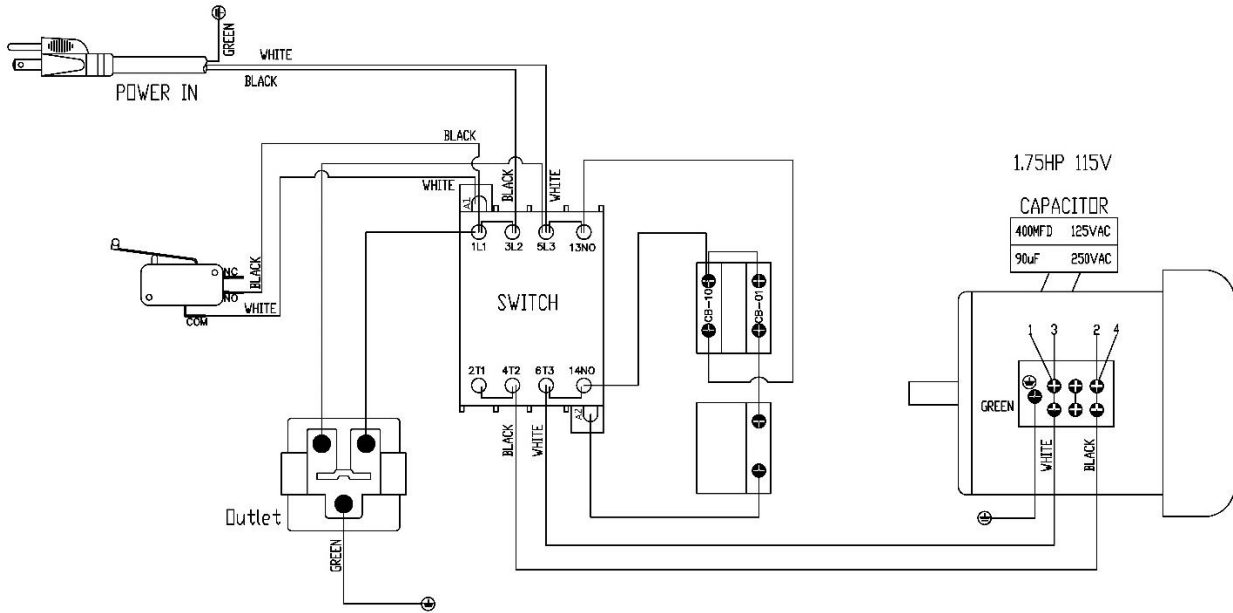
### **Blade overheats.**

1. Dull blade. Change the blade or sharpen the blade.
2. Pitch is too small for the depth of cut. Change to a blade with the correct pitch.
3. Guides too tight. Adjust the guides.
4. Wood too hard for the selected blade. Change the blade.
5. Blade too thick for the diameter of the wheels. Change the blade.

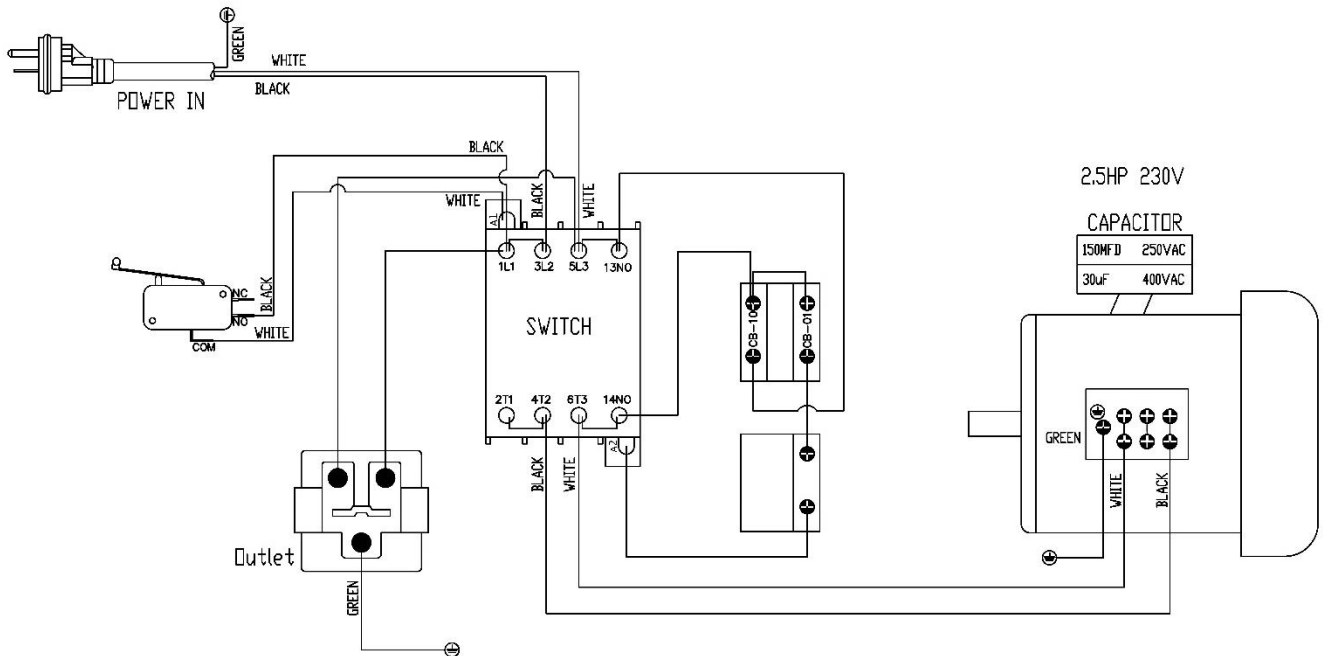
### **Machine vibrates.**

1. Machine not level on the floor. Re-level the machine ensuring that it has no movement.
2. Damaged drive belt. Replace the belt.

## LT14BX (MBAND14BX110-0175) 110V wiring diagram

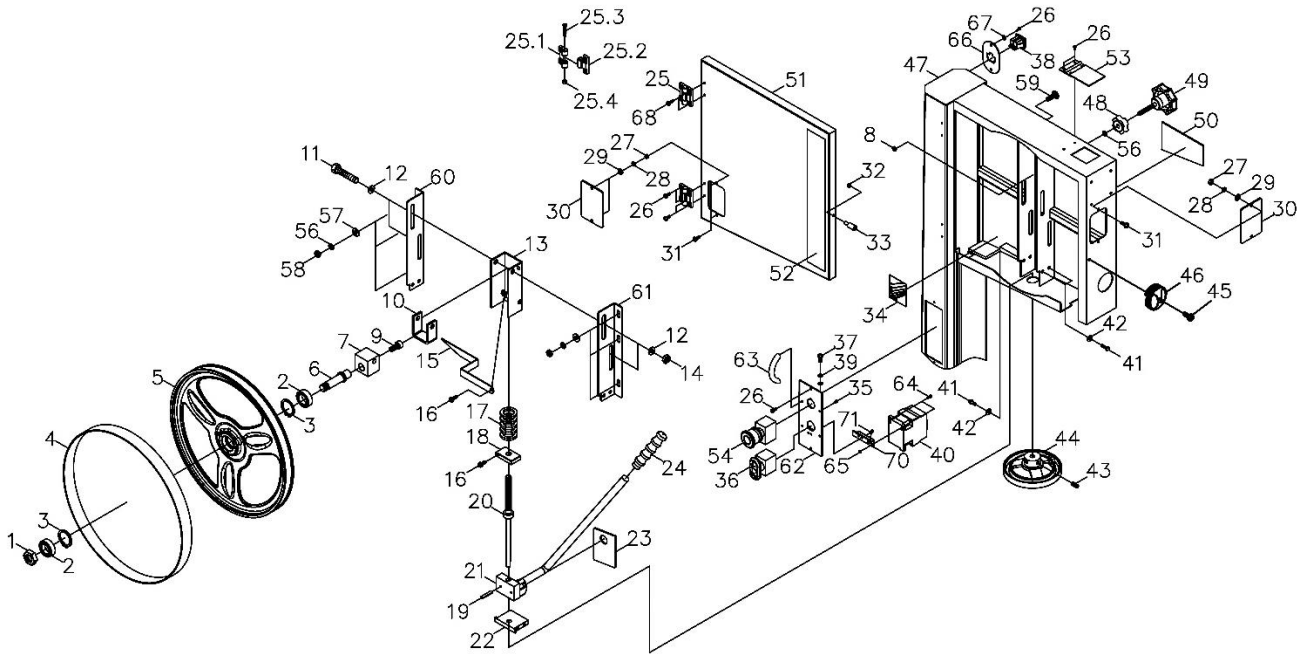


## LT14BX (MBAND14BX220-0175) 220V wiring diagram





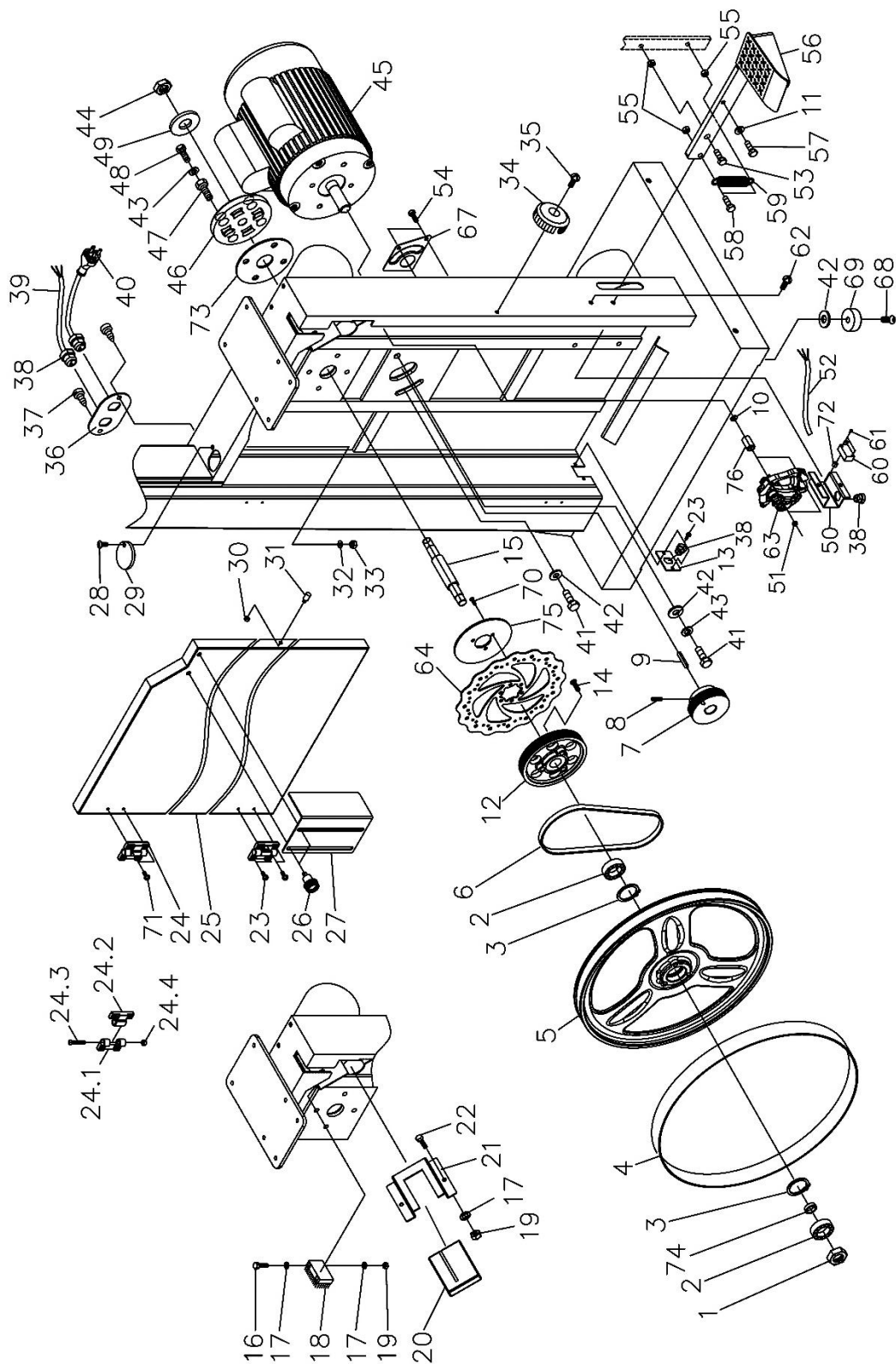
# LT14BX (MBAND14BX110-0175) 110/220V exploded views



Upper Wheel Assembly				
Index	Part Number	Description	Specification	Qty
1	PBAND1412-175-1	Hex Nut	M14x1.5- LH	1
2	PBAND1412-175-2	Ball Bearing	6202LLU	2
3	PBAND1412-175-3	C-Ring	R35	2
4	PBAND1412-175-4	PU Tire		1
5	PBAND1412-175-5	Upper Wheel		1
6	PBAND1412-175-6	Upper Wheel Shaft		1
7	PBAND1412-175-7	Upper Wheel Shaft Bracket		1
8	PBAND1412-175-8	Special Nut		1
9	PBAND1412-175-9	Socket Head Cap Screw	3/8"-16x5/8"	1
10	PBAND1412-175-10	Support Bracket		1
11	PBAND1412-175-11	Hex Cap Screw	M10x1.5x80	2
12	PBAND1412-175-12	Flat Washer	3/8"	4
13	PBAND1412-175-13	Upper Wheel Bracket Base		1
14	PBAND1412-175-14	Nylon Inserted Lock Nut	M10	2
15	PBAND1412-175-15	Pointer		1
16	PBAND1412-175-16	Special Bolt		2
17	PBAND1412-175-17	Spring		1
18	PBAND1412-175-18	Bracket		1
19	PBAND1412-175-19	Pin	Ø4x20	1

20	PBAND1412-175-20	Adjusting Screw		1
21	PBAND1412-175-21	Blade Tension Arm Assembly		1
22	PBAND1412-175-22	Support Block		1
23	PBAND1412-175-23	Plate		1
24	PBAND1412-175-24	Handle		1
25	PBAND1412-175-25	Door Hinge Set		2
25.1	PBAND1412-175-25-1	Door Hinge, Left		2
25.2	PBAND1412-175-25-2	Door Hinge, Right		2
25.3	PBAND1412-175-25-3	Socket Head Cap Screw	M5x0.8x35	2
25.4	PBAND1412-175-25-4	Nylon Inserted Lock Nut	M5x0.8	2
26	PBAND1412-175-26	Screw	M3.5x10mm	10
27	PBAND1412-175-27	Hex Nut	#10-24	4
28	PBAND1412-175-28	Lock Washer	#10	4
29	PBAND1412-175-29	Flat Washer	#10	4
30	PBAND1412-175-30	Tracking Window		2
31	PBAND1412-175-31	Screw	#10-24x1/2"	4
32	PBAND1412-175-32	Hex Nut	1/4"-20	1
33	PBAND1412-175-33	Door Stud		1
34	PBAND1412-175-34	Tension Gauge		1
35	MBAND14BX110-175-35	Phillips Flat Head Screw	M3x4	4
36	MBAND14BX110-175-36	ON/ OFF Switch		1
37	PBAND1412-175-37	Screw	M5x0.8x16	2
38	PBAND1412-175-38	Outlet(110V)		1
	MBAND14BX220-250-38	Outlet(220V)		1
39	PBAND1412-175-39	Washer, Lock-Int. Tooth	M5	4
40	MBAND14BX110-175-40	Contactora(110V)		1
	MBAND14BX220-250-40	Contactora(220V)		1
41	PBAND1412-175-41	Hex Cap Screw	1/4"-20x5/8"	4
42	PBAND1412-175-42	Lock Washer	1/4"	4
43	PBAND1412-175-43	Set Screw	1/4"-20x3/8"	2
44	PBAND1412-175-44	Hand wheel		1
45	PBAND1412-175-45	Screw	1/4"-20x3/4"	1
46	PBAND1412-175-46	Lock Knob		1
47	MBAND14BX110-175-47	Saw Body		1
48	PBAND1412-175-48	Lock Knob		1
49	PBAND1412-175-49	Adjusting Knob		1
50	PBAND1412-175-50	Tension Label		1
51	PBAND1412-175-51	Upper Door		1
52	MBAND14BX110-175-52	Logo Label		1
53	PBAND1412-175-53	Hinge Cover		1
54	MBAND14BX110-175-54	Emergency Stop		1
55	PBAND1412-175-55	Warning Label		1

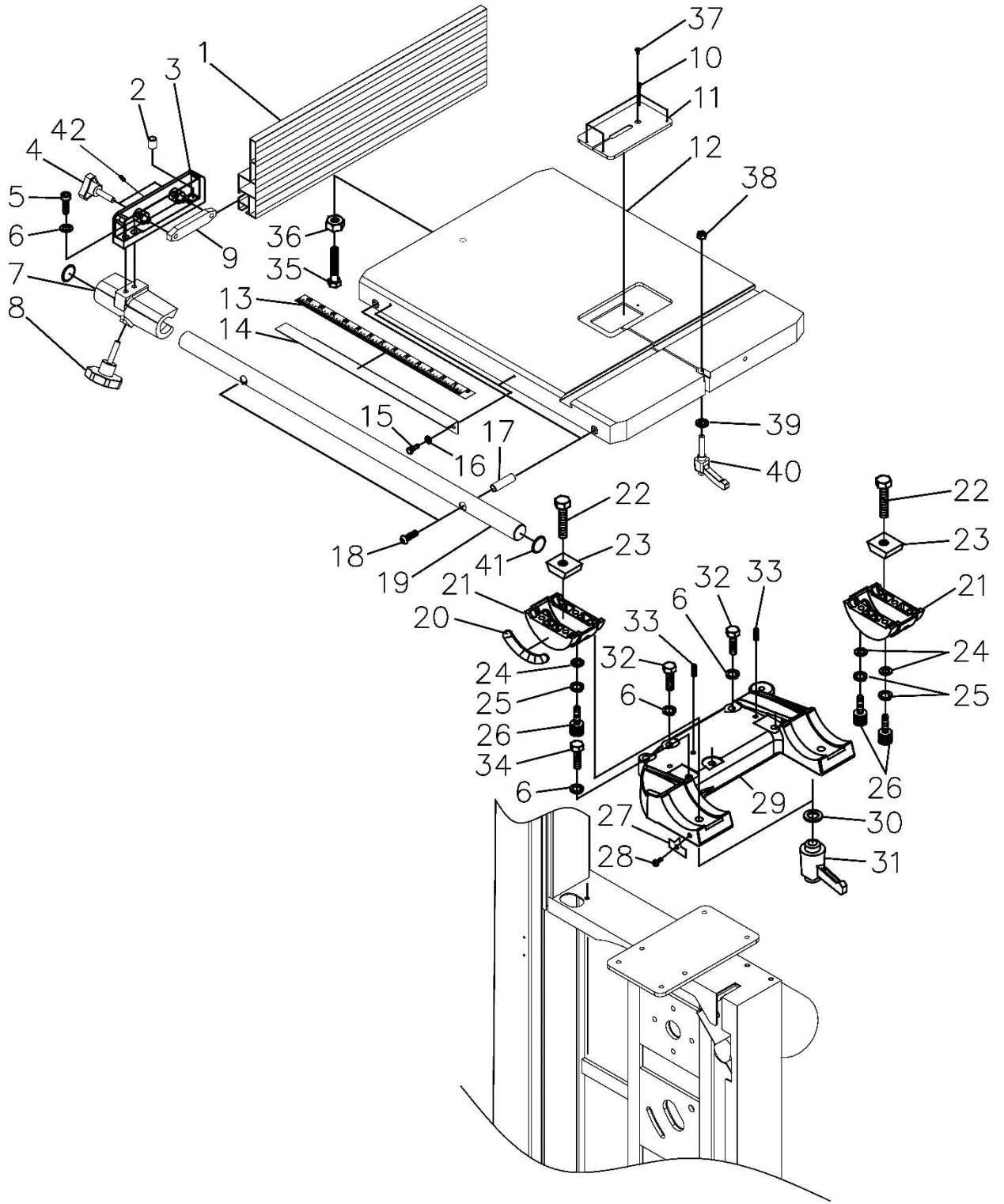
56	PBAND1412-175-2-13	Lock Washer	5/16"	7
57	PBAND1412-175-2-11	Flat Washer	5/16"	6
58	PBAND1412-175-3-38	Hex Nut	5/16"-18	6
59	PBAND1412-175-59	Carriage Bolt	5/16-18x5/8"	6
60	PBAND1412-175-60	Upper Wheel Bracket-Left		1
61	PBAND1412-175-61	Upper Wheel Bracket-Right		1
62	MBAND14BX110-175-62	Control Panel		1
63	MBAND14BX110-175-63	Handle		2
64	MBAND14BX110-175-64	Hex Cap Screw	M4x0.7x12	2
65	MBAND14BX110-175-65	Hex Nut	M4x0.7	2
66	MBAND14BX110-175-66	Plate(110V)		1
	MBAND14BX220-250-66	Plate(220V)		1
67	MBAND14BX110-175-67	Washer, Lock-Int. Tooth	M4	2
68	MBAND14BX110-175-68	Screw	M4x0.7x8	4
70	MBAND14BX110-175-70	Bracket		1



Lower Wheel and Motor Assembly				
Index	Part Number	Description	Specification	Qty
1	PBAND1412-175-2-1	Hex Nut	M14x1.5- LH	1

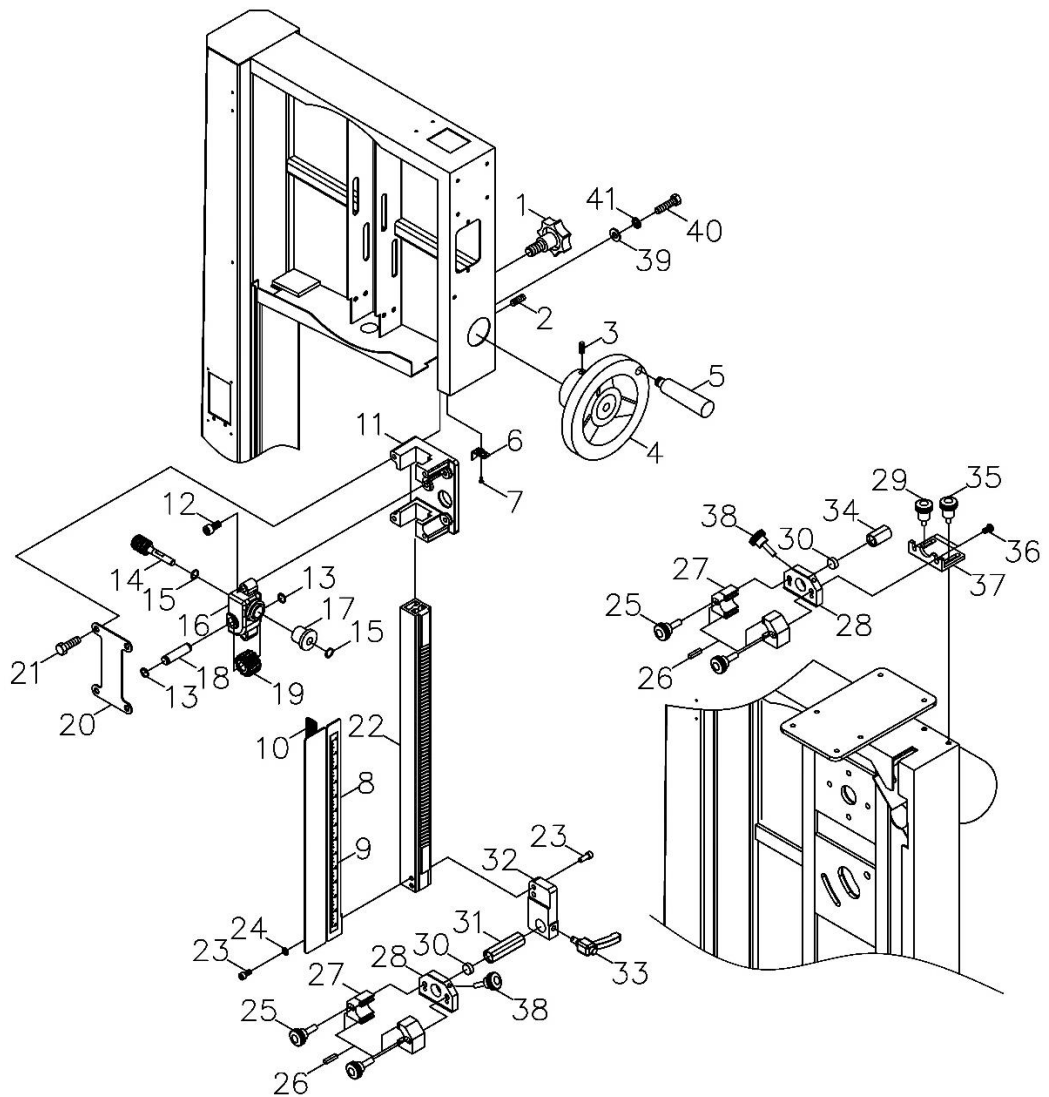
2	PBAND1412-175-2-2	Ball Bearing	6202LLU	2
3	PBAND1412-175-2-3	C-Ring	R35	2
4	PBAND1412-175-2-4	PU Tire		1
5	PBAND1412-175-2-5	Upper Wheel		1
6	PBAND1412-175-2-6	Poly-V Belt		1
7	PBAND1412-175-2-7	Motor Pulley		1
8	PBAND1412-175-2-8	Set Screw	5/16"-18x3/8"	2
9	PBAND1412-175-2-9	Key	6x6x40	1
10	MBAND14BX110-175-2-10	Flat Washer	1/4"	4
11	PBAND1412-175-2-11	Flat Washer	5/16"	2
12	MBAND14BX110-175-2-12	Spindle Pulley		1
13	MBAND14BX110-175-2-13	Plate		1
14	MBAND14BX110-175-2-14	Phillips Flat Head Screw	5/16"-18x1-1/2"	3
15	PBAND1412-175-2-15	Lower Spindle		1
16	PBAND1412-175-2-16	Hex Cap Screw	M5x0.8x30	2
17	PBAND1412-175-2-17	Flat Washer	M5	6
18	PBAND1412-175-2-18	Brush		1
19	PBAND1412-175-2-19	Hex Nut	M5x0.8	4
20	PBAND1412-175-2-20	Insert Block		1
21	PBAND1412-175-2-21	Shelf		1
22	PBAND1412-175-2-22	Hex Cap Screw	M5x0.8x12	2
23	PBAND1412-175-2-23	Screw	M3.5x10mm	6
24	PBAND1412-175-2-25	Door Hinge Set		2
24.1	PBAND1412-175-25-1	Door Hinge, Left		2
24.2	PBAND1412-175-25-2	Door Hinge, Right		2
24.3	PBAND1412-175-25-3	Socket Head Cap Screw	M5x0.8x35	2
24.4	PBAND1412-175-25-4	Nylon Inserted Lock Nut	M5x0.8	2
25	MBAND14BX110-175-2-25	Lower Door		1
26	PBAND1412-175-2-26	Lock Knob		2
27	PBAND1412-175-2-27	Lower Blade Guard		1
28	PBAND1412-175-2-28	Screw	1/4"-20x3/4"	1
29	PBAND1412-175-2-29	Plate		1
30	PBAND1412-175-2-30	Hex Nut	1/4"-20	1
31	PBAND1412-175-2-31	Door Stud		1
32	PBAND1412-175-2-32	Flat Washer	1/4"	1
33	PBAND1412-175-2-33	Nylon Inserted Lock Nut	1/4"-20	1
34	PBAND1412-175-2-34	Lock Knob		1
35	PBAND1412-175-2-35	Screw	1/4"-20x3/4"	1
36	PBAND1412-175-2-36	Plate		1
37	PBAND1412-175-2-37	Screw	#10-24x3/8"	2
38	PBAND1412-175-2-38	Strain Relief	6N-4	4
39	MBAND14BX110-175-2-39	Motor Cord		1
40	MBAND14BX110-175-2-40	Power Cord(110V)		1
	MBAND14BX220-250-40	Power Cord(220V)		1

41	PBAND1412-175-2-41	Hex Cap Screw	3/8"-16x1"	3
42	PBAND1412-175-2-42	Flat Washer	3/8"	6
43	PBAND1412-175-2-43	Lock Washer	3/8"	2
44	PBAND1412-175-2-44	Hex Nu	M14x1.5	1
45	PBAND1412-175-2-45	Motor(110V)		1
	MBAND14BX220-250-2-45	Motor(220V)		1
	PBAND1412-175-2-45-1	Motor Fan (not shown)		1
	PBAND1412-175-2-45-2	Motor Fan Cover (not shown)		1
	PBAND1412-175-2-45-3	Junction Box (not shown)		1
	PBAND1412-175-2-45-4	Junction Box Cover (not shown)		1
46	PBAND1412-175-2-46	Spindle Holder		1
47	PBAND1412-175-2-47	Adjusting Screw		4
48	PBAND1412-175-2-48	Hex Cap Screw	3/8"-16x1-3/4"	4
49	PBAND1412-175-2-49	Flat Washer	M14	1
50	MBAND14BX110-175-2-50	Switch Cover		1
51	MBAND14BX110-175-2-51	Hex Nut	M6x1.0	6
52	MBAND14BX110-175-2-52	Limit Switch Cord		1
53	MBAND14BX110-175-2-53	Hex Cap Screw	3/8-16UNCx3/4"	1
54	MBAND14BX110-175-2-54	Hex Cap Screw	M6x1.0x30	2
55	MBAND14BX110-175-2-55	Hex Nut	3/8"-16	3
56	MBAND14BX110-175-2-56	Foot Brake		1
57	MBAND14BX110-175-2-57	Socket Head Cap Screw	5/16-18UNCx1/2	1
58	MBAND14BX110-175-2-58	Hex Cap Screw	3/8-16UNCx1-1/4"	2
59	MBAND14BX110-175-2-59	Spring		1
60	MBAND14BX110-175-2-60	Limit Switch		1
61	MBAND14BX110-175-2-61	Screw	M3x20mm	2
62	MBAND14BX110-175-2-62	Screw	1/4"-20x3/8"	2
63	MBAND14BX110-175-2-63	Brake Assembly		1
	MBAND14BX110-175-2-63P	Brake Pad (not shown), 2 pieces		1
64	MBAND14BX110-175-2-64	Disc		1
65	MBAND14BX110-175-2-65	Inner Cable		1
66	MBAND14BX110-175-2-66	Housing		1
67	MBAND14BX110-175-2-67	Plate		1
68	MBAND14BX110-175-2-68	Socket Head Button Screw	3/8"-16 x1"	4
69	MBAND14BX110-175-2-69	Rubber Pad		4
70	MBAND14BX110-175-2-70	Socket Head Button Screw	M5x0.8x12	3
71	MBAND14BX110-175-2-71	Screw	M4x0.7x8	4
72	MBAND14BX110-175-2-72	Spacer		2
73	MBAND14BX110-175-2-73	Plate		1
74	MBAND14BX110-175-2-74	Spacer		1
75	MBAND14BX110-175-2-75	Plate		1
76	MBAND14BX110-175-2-76	Spacer		2



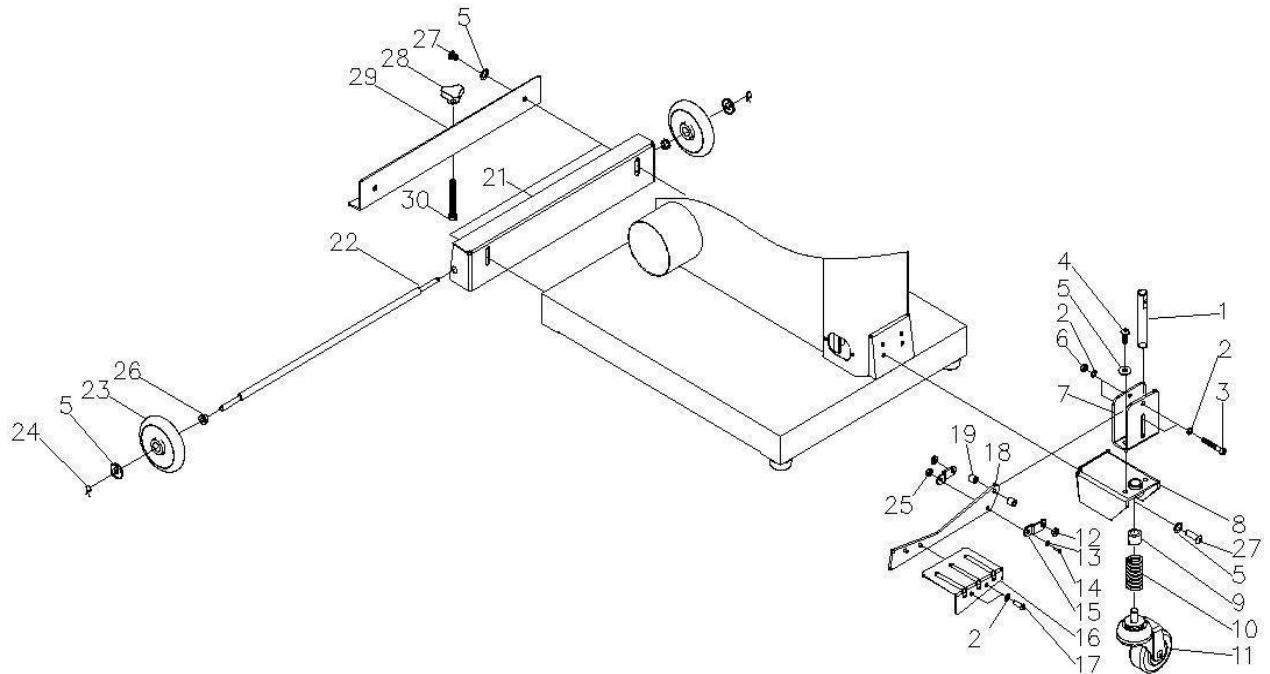
<b>Table and Fence Assembly</b>				
<b>Index</b>	<b>Part Number</b>	<b>Description</b>	<b>Specification</b>	<b>Qty</b>
1	PBAND1412-175-3-1	Aluminum Fence		1
2	PBAND1412-175-3-2	Plastic Adjusting Screw		1
3	PBAND1412-175-3-3	Fence Body		1
4	PBAND1412-175-3-4	Lock Knob		2
5	PBAND1412-175-3-5	Socket Head Cap Screw	5/16"-18x3/4"	3
6	PBAND1412-175-3-6	Lock Washer	5/16"	10
7	PBAND1412-175-3-7	Fence Head		1
8	PBAND1412-175-3-8	Lock Knob		1
9	PBAND1412-175-3-9	Lock Bar		1
10	PBAND1412-175-3-10	Set Screw	M4x0.7x4	4
11	PBAND1412-175-3-11	Table Insert		1
12	PBAND1412-175-3-12	Table		1
13	PBAND1412-175-3-13	Scale		1
14	PBAND1412-175-3-14	Scale Plate		1
15	PBAND1412-175-3-15	Hex Cap Screw	M5x0.8x10	2
16	PBAND1412-175-3-16	Flat Washer	M5	2
17	PBAND1412-175-3-17	Bushing		2
18	PBAND1412-175-3-18	Socket Head Cap Screw	5/16"-18x2"	2
19	PBAND1412-175-3-19	Steel Tube		1
20	PBAND1412-175-3-20	Scale		1
21	PBAND1412-175-3-21	Trunnion		2
22	PBAND1412-175-3-22	Hex Cap Screw	M10x1.5x50	2
23	PBAND1412-175-3-23	Slide Block		2
24	PBAND1412-175-3-24	Flat Washer	1/4"	6
25	PBAND1412-175-3-25	Lock Washer	1/4"	6
26	PBAND1412-175-3-26	Socket Head Cap Screw	M6x1x16	6
27	PBAND1412-175-3-27	Pointer		1
28	PBAND1412-175-3-28	Screw	M5x0.8x8	1
29	PBAND1412-175-3-29	Bracket		1
30	PBAND1412-175-3-30	Flat Washer	3/8"	2
31	PBAND1412-175-3-31	Lock Handle		2
32	PBAND1412-175-3-32	Hex Cap Screw	5/16"-18x1-1/4"	3
33	PBAND1412-175-3-33	Set Screw	5/16"-18x5/8"	2
34	PBAND1412-175-3-34	Hex Cap Screw	5/16"-18x1-3/4"	3
35	PBAND1412-175-3-35	Hex Cap Screw	3/8"-16x2"	1
36	PBAND1412-175-3-36	Hex Nut	3/8"-16	1
37	PBAND1412-175-3-37	Phillips Flat Head Screw	M4x0.7x8	1
38	PBAND1412-175-3-38	Hex Nut	5/16"-18	1
39	PBAND1412-175-3-39	Flat Washer	5/16"	1
40	PBAND1412-175-3-40	Lock Handle		1
41	PBAND1412-175-3-41	Rubber Cover		2
42	PBAND1412-175-3-42	Screw	1/4"-20x1/4"	2





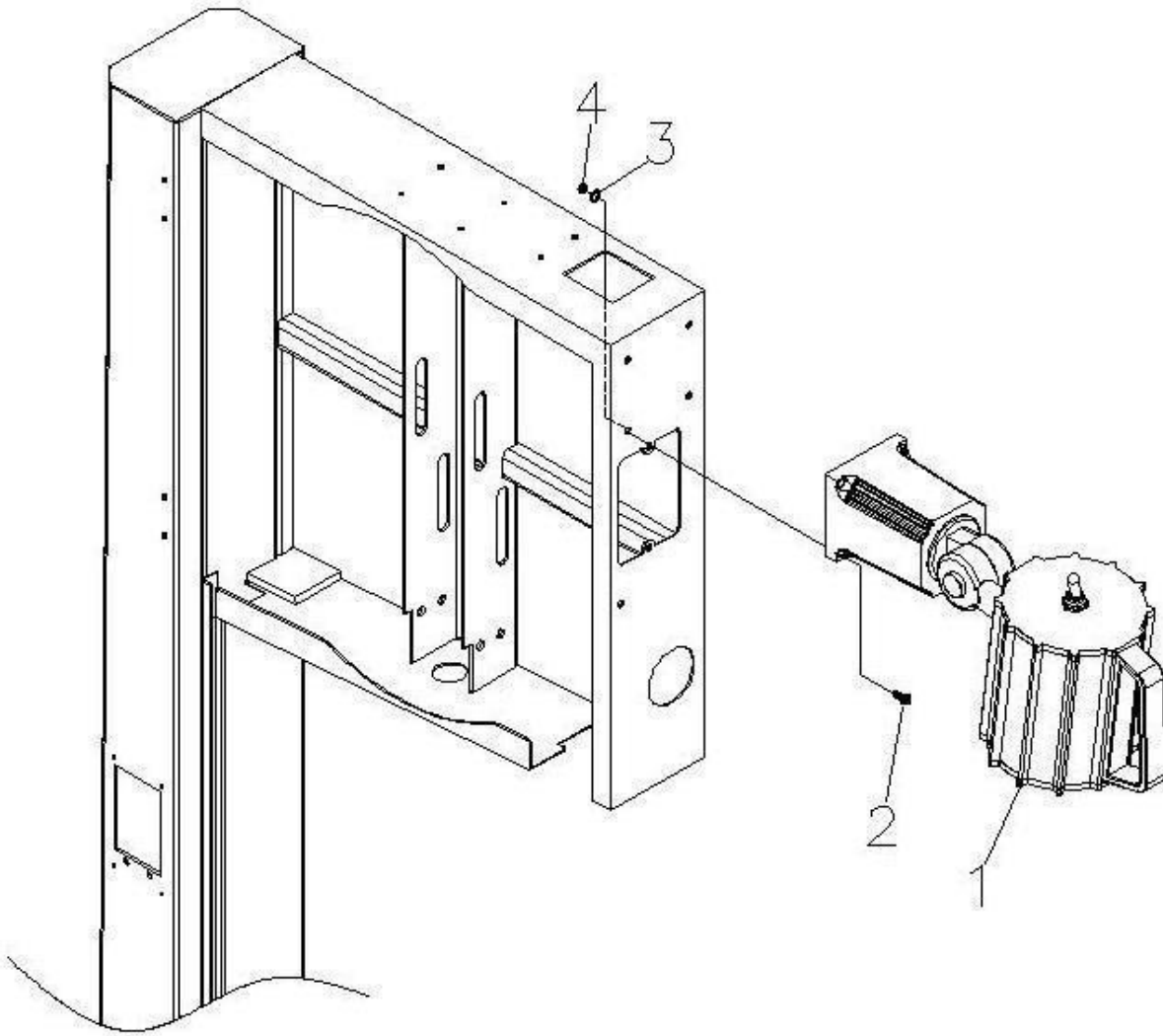
Upper and Lower Blade Guides Assembly				
Index	Part Number	Description	Specification	Qty
1	PBAND1412-175-4-1	Lock Knob		1
2	PBAND1412-175-4-2	Set Screw	5/16"-18x3/8"	2
3	PBAND1412-175-4-3	Set Screw	1/4"-20x3/8"	1
4	PBAND1412-175-4-4	Hand wheel		1
5	PBAND1412-175-4-5	Handle		1
6	PBAND1412-175-4-6	Pointer		1
7	PBAND1412-175-4-7	Screw	1/4"-20x3/8"	1
8	PBAND1412-175-4-8	Upper Blade Guard		1
9	PBAND1412-175-4-9	Height Scale		1
10	PBAND1412-175-4-10	Magnet		1

11	PBAND1412-175-4-11	Guide Bar Bracket		1
12	PBAND1412-175-4-12	Socket Head Cap Screw	5/16"-18x1-1/4"	2
13	PBAND1412-175-4-13	C-Ring	S12	2
14	PBAND1412-175-4-14	Worm		1
15	PBAND1412-175-4-15	E-Ring	E8	2
16	PBAND1412-175-4-16	Gear Base		1
17	PBAND1412-175-4-17	Bushing		1
18	PBAND1412-175-4-18	Shaft		1
19	PBAND1412-175-4-19	Gear		1
20	PBAND1412-175-4-20	Plate		1
21	PBAND1412-175-4-21	Socket Head Button Screw	5/16"-18x1/2"	4
22	PBAND1412-175-4-22	Guide Bar		1
23	PBAND1412-175-4-23	Socket Head Cap Screw	1/4"-20x5/8"	4
24	PBAND1412-175-4-24	Lock Washer	1/4"	2
25	PBAND1412-175-4-25	Lock Knob		4
26	PBAND1412-175-4-26	Ceramic Guide		8
27	PBAND1412-175-4-27	Adjusting Block		4
28	PBAND1412-175-4-28	Fixed Block		2
29	PBAND1412-175-4-29	Lock Knob		1
30	PBAND1412-175-4-30	Ceramic Guide		2
31	PBAND1412-175-4-31	Support Shaft		1
32	PBAND1412-175-4-32	Guide Bracket		1
33	PBAND1412-175-4-33	Lock Handle		1
34	PBAND1412-175-4-34	Support Shaft		1
35	PBAND1412-175-4-35	Lock Knob		1
36	PBAND1412-175-4-36	Socket Head Button Screw	1/4"-20x1/2"	2
37	PBAND1412-175-4-37	Base		1
38	PBAND1412-175-4-38	Special Bolt		2
39	PBAND1412-175-4-39	Flat Washer	5/16"	4
40	PBAND1412-175-4-40	Hex Cap Screw	5/16"-18x1"	4
41	PBAND1412-175-4-41	Lock Washer	5/16"	4

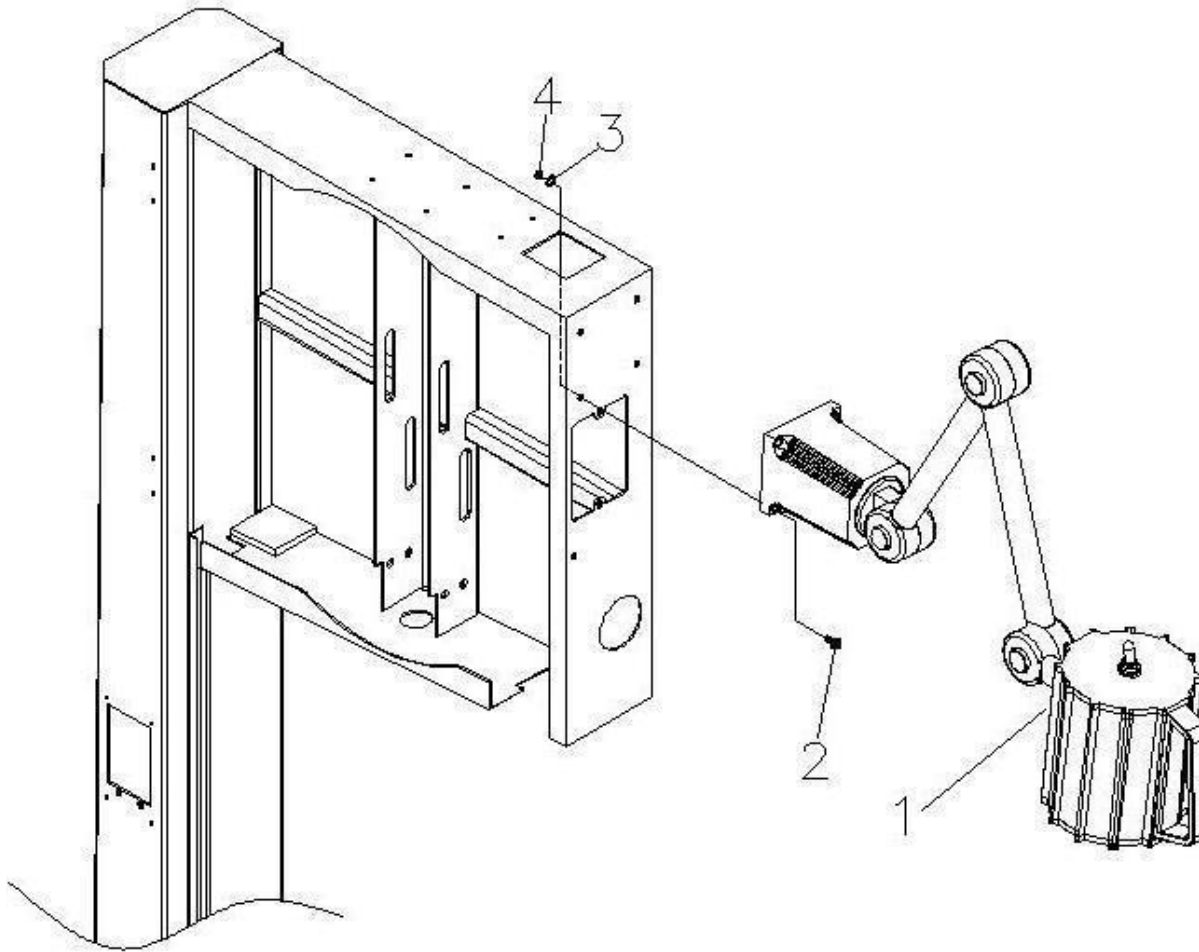


<b>Wheel System: Optional</b>				
<b>Index</b>	<b>Part Number</b>	<b>Description</b>	<b>Specification</b>	<b>Qty</b>
1	PBAND1412-175-6-1	Rod		1
2	PBAND1412-175-6-2	Flat Washer	1/4"	6
3	PBAND1412-175-6-3	Socket Head Cap Screw	1/4"-20x1-3/4"	2
4	PBAND1412-175-6-4	Socket Head Button Screw	5/16"-18x1/2"	2
5	PBAND1412-175-6-5	Flat Washer	5/16"	11
6	PBAND1412-175-6-6	Nylon Inserted Lock Nut	1/4"-20	2
7	PBAND1412-175-6-7	Fixed Plate		1
8	PBAND1412-175-6-8	Wheel Bracket		1
9	PBAND1412-175-6-9	DU Bearing	MB1620DU	1
10	PBAND1412-175-6-10	Spring		1
11	PBAND1412-175-6-11	Caster		1
12	PBAND1412-175-6-12	Spacer		2
13	PBAND1412-175-6-13	Flat Washer	M5	1
14	PBAND1412-175-6-14	Screw	M5x0.8x20	1
15	PBAND1412-175-6-15	Connecting Plate		2
16	PBAND1412-175-6-16	Foot Pedal		1
17	PBAND1412-175-6-17	Socket Head Button Screw	1/4"-20x3/8"	2
18	PBAND1412-175-6-18	Plate		1
19	PBAND1412-175-6-19	Spacer		2
20	PBAND1412-175-6-20	Support Plate		1
21	PBAND1412-175-6-21	Support Plate		1
22	PBAND1412-175-6-22	Rod		1

23	PBAND1412-175-6-23	Wheel		2
24	PBAND1412-175-6-24	Retaining Pin	R8	2
25	PBAND1412-175-6-25	Nylon Inserted Lock Nut	M5x0.8	1
26	PBAND1412-175-6-26	Bushing		2
27	PBAND1412-175-6-27	Socket Head Button Screw	5/16"-18x3/4"	7
28	PBAND1412-175-6-28	Knob		1
29	PBAND1412-175-6-29	Support Plate		1
30	PBAND1412-175-6-30	Hex Cap Screw	M8x1.25x70	1



115V Industrial Work Light: Optional				
Index	Part Number	Description	Specification	Qty
1	PBAND1412-175-7-1	Work Light	115V	1
2	PBAND1412-175-7-2	Screw	M4x0.7x20	4
3	PBAND1412-175-7-3	Flat Washer	M4	4
4	PBAND1412-175-7-4	Hex Nut	M4x0.7	4
5	PBAND1412-175-7-5	Cable Clamp		3



230V Industrial Work Light: Optional				
Index	Part Number	Description	Specification	Qty
1	PBAND14BX220-250-7-1	Work Light	230V	1
2	PBAND1412-175-7-2	Screw	M4x0.7x20	4
3	PBAND1412-175-7-3	Flat Washer	M4	4
4	PBAND1412-175-7-4	Hex Nut	M4x0.7	4
5	PBAND1412-175-7-5	Cable Clamp	TS0708	3

**NOTES:**

# **LAGUNA TOOLS**

744 Refuge Way, Suite 200, Grand Prairie

TX 75050 Ph: 800.234.1976

[www.lagunatools.com](http://www.lagunatools.com)

Laguna Tools is not responsible for errors or omissions.  
Specifications subject to change. Machines may be shown with optional accessories.

© 2018, Laguna Tools, Inc. LAGUNA® and the LAGUNA Logo® are the  
registered trademarks of Laguna Tools, Inc. All rights reserved. 070822

# **LAGUNA**