

ZAERO
D E S I G N

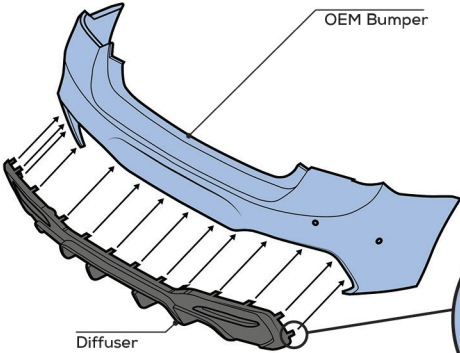
EVO-1 DIFFUSER
FOR BMW 1 SERIES F20 | F21

INSTALLATION MANUAL

EVO-1 DIFFUSER FOR BMW 1 SERIES F20 | F21

TEST FITTING

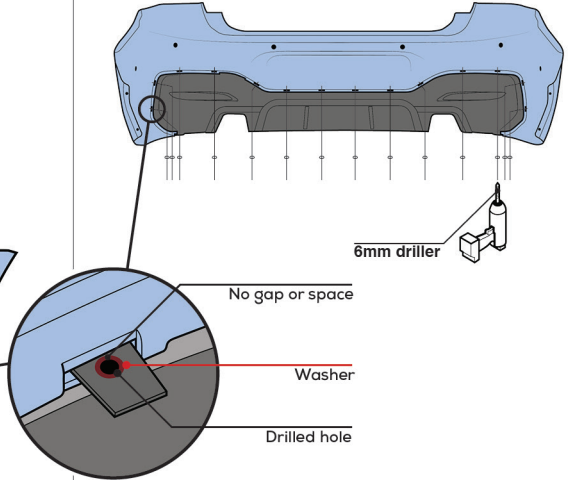
Remove the OEM Diffuser from the OEM rear bumper. You can now attach the diffuser. Make sure that all tabs are inserted correctly in the OEM bumper. Gently push the diffuser onto the bumper to achieve the correct position.



①

PRE DRILLING THE HOLES

Pre-drill the holes with a 6mm driller as close as possible to the bumper on the tabs and secure that the screw and the washer will have a tight fit to avoid slipping back and forth of the diffuser.



②

REMOVING PROTECTION FILM & INSTALLING REAR REFLECTORS

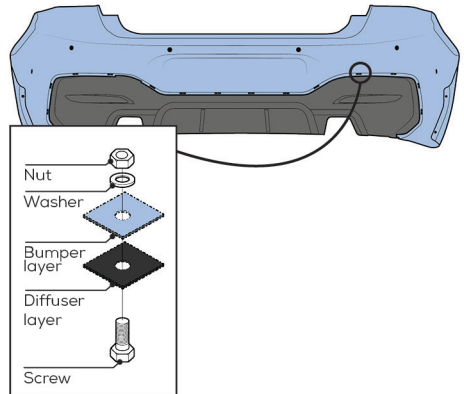
Take off the diffuser again and take off the protection film on the diffuser and insert the OEM rear reflectors - secure them with a screw from behind.



③

APPLYING THE DIFFUSER TO THE BUMPER

You can now attach the diffuser to the bumper. Use the screws on the pre-drilled holes to fix the diffuser on the bumper. Secure the screws by adding the nuts.



④