

2023

RTD30

VIPER

LIFT TRUCKS



STANDARD FEATURES

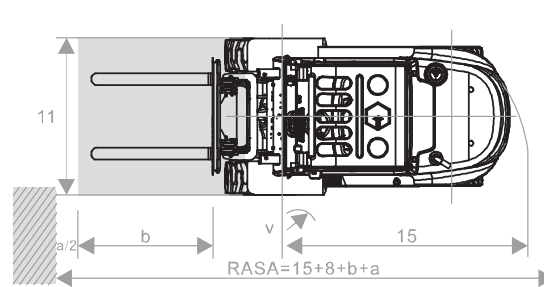
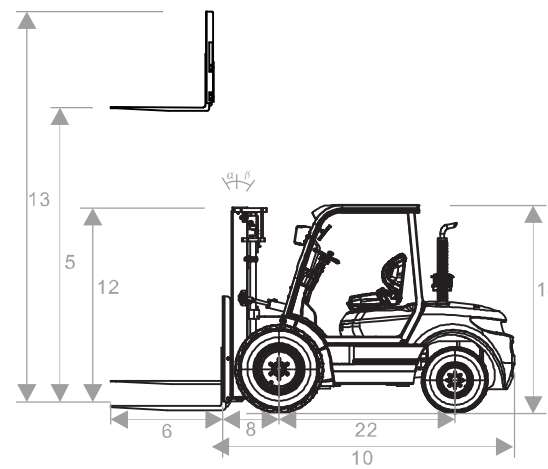
- 6,000lb Base Capacity
- 3 Stage Mast
- Full Free Lift
- 92" Lowered Mast Height
- 189" Max Raised Fork Height
- Premium Air Pneumatic tires
- EPA Tier 4 Final Diesel Engine
- Backup Alarm
- Rear View Mirrors
- LED Front and Rear Lights
- Integrated LED Turn Signals
- Tilt Steering Column
- Pre Air Cleaner
- Digital Systems Monitor Display
- Rubber Floor mat
- Load Backrest
- 3 Way Hydraulics Plumbed to Carriage
- 12mo/2000hr Manufacturer Warranty



2023 RTD30

SPECIFICATIONS

POWER TYPE	DIESEL
BASE CAPACITY	6000 LBS
CAPACITY 24" LC @189"	5000 LBS
SERVICE WEIGHT	12350 LBS
TIRE SIZE (FRONT)	14-17.5-14PR
TIRE SIZE (REAR)	27X10-12-12PR
WHEELBASE	72.5"
MAST TILT ANGLE (F/R)	8/10
LIFT HEIGHT (3 STAGE)	189"
LOWERED HEIGHT	92"
FREE LIFT	73"
LENGTH (LESS FORKS)	122"
WIDTH	63"
HEIGHT TO OVERHEAD GUARD	91"
TURNING RADIUS	108.25"
GROUND CLEARANCE	9"
MAX GRADABILITY	20%
TRANSMISSION	AUTO
TRANSMISSION SPEEDS	1 FWD / 1 RVS



Engine model may vary



2023

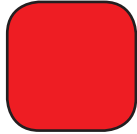
RTD30

PICK YOUR COLOR!

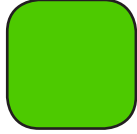
ORANGE



RED



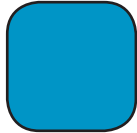
GREEN



ACID GREEN



SKY BLUE



ROYAL BLUE



SILVER



FROST GREY



WWW.VIPERLIFTTRUCKS.COM

FACTORY INSTALLED OPTIONS*

SIDE SHIFTER

SIDE SHIFT FORK POSITIONER

FULL SUSPENSION SEAT

CAB W/HEAT, WIPERS, LED LIGHTS

AIR CONDITIONING

FIRE EXTINGUISHER

STROBE LIGHT

REAR WORK LIGHT

4TH VALVE, LEVER AND HOSING

REAR HORN HANDLE/BUTTON

EATON STEERING

*pricing based on factory ordered/installed options



**EXTENDED WARRANTIES AVAILABLE
INQUIRE WITH YOUR REPRESENTATIVE
FOR FURTHER DETAILS**





VIPER

VIPER
LIFT TRUCKS

25

VIPER

OIL FILTER

VIPER
LIFT TRUCKS
GENUINE PARTS

VIPER
LIFT TRUCKS

GENUINE PARTS

VIPER
LIFT TRUCKS

GENUINE PARTS

VIPER
LIFT TRUCKS

GENUINE PARTS