

2023

RT80



STANDARD FEATURES

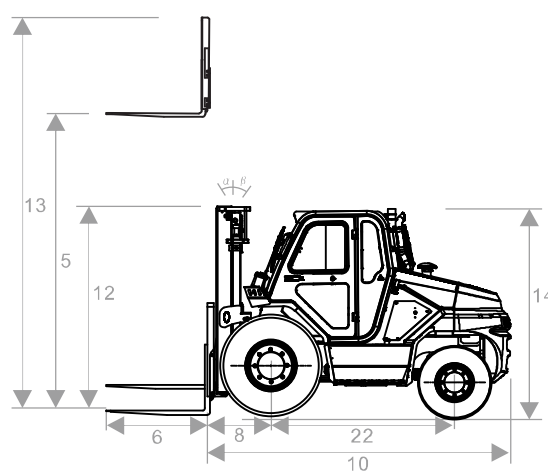
- 8,000lb Base Capacity
- 3 Stage Mast
- Full Free Lift
- 92" Lowered Mast Height
- 196" Max Raised Fork Height
- Premium Air Pneumatic tires
- EPA Tier 4 Final Cummins engine
QSF2.8L Turbo Diesel Engine
- Engine Features 3cyl 65 HP and
200 ft./lb TQ
- Backup Alarm
- Rear View Mirrors
- LED Front and Rear Lights
- Integrated LED Turn Signals
- Tilt Steering Column
- Pre Air Cleaner
- Digital Systems Monitor Display
- Power Lifting Overhead Guard for
Ease of Maintenance
- Rubber Floor mat
- Load Backrest
- 3 Way Hydraulics Plumbed to Carriage
- 12mo/2000hr Manufacturer Warranty
- 1 Year/2000hr Cummins Engine Warranty




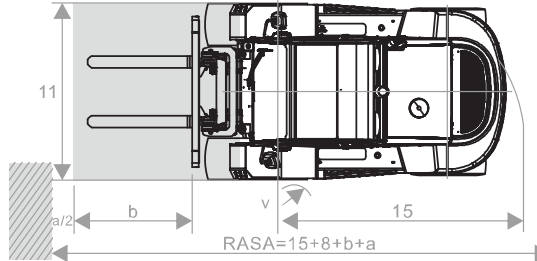
2023 RT80

SPECIFICATIONS

POWER TYPE	DIESEL
BASE CAPACITY	8000 LBS
CAPACITY 24" LC @189"	5000 LBS
SERVICE WEIGHT	15190 LBS
TIRE SIZE (FRONT)	405/70-20-14PR
TIRE SIZE (REAR)	10.0/75-15.3-12PR
WHEELBASE	78.3"
MAST TILT ANGLE (F/R)	10/12
LIFT HEIGHT (3 STAGE)	196"
LOWERED HEIGHT	92"
FREE LIFT	73"
LENGTH (LESS FORKS)	128"
WIDTH	72.25"
HEIGHT TO OVERHEAD GUARD	89"
TURNING RADIUS	173"
GROUND CLEARANCE	10.6"
MAX GRADABILITY	30%
TRANSMISSION	AUTO
TRANSMISSION SPEEDS	3 FWD / 2 RVS



 RASA: Right-Angle Stack Aisle
 a: Safety Clearance
 b: Length of Loading
 v: Turning radius (inside)



[CLICK FOR ENGINE BROCHURE](#)

VIPER
LIFT TRUCKS



2023

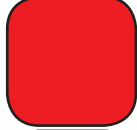
RT80

PICK YOUR COLOR!

ORANGE



RED



GREEN



ACID GREEN



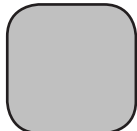
SKY BLUE



ROYAL BLUE



SILVER



FROST GREY



WWW.VIPERLIFTTRUCKS.COM

FACTORY INSTALLED OPTIONS*

SIDE SHIFTER

SIDE SHIFT FORK POSITIONER

FULL SUSPENSION SEAT

CAB W/HEAT, WIPERS, LED LIGHTS

AIR CONDITIONING

FIRE EXTINGUISHER

STROBE LIGHT

REAR WORK LIGHT

4TH VALVE, LEVER AND HOSE

REAR HORN HANDLE/BUTTON

EATON STEERING



**EXTENDED WARRANTIES AVAILABLE
INQUIRE WITH YOUR REPRESENTATIVE
FOR FURTHER DETAILS**





VIPER

VIPER
LIFT TRUCKS

25

VIPER
LIFT TRUCKS
GENUINE PARTS

VIPER
LIFT TRUCKS

GENUINE PARTS

VIPER
LIFT TRUCKS

GENUINE PARTS

VIPER
LIFT TRUCKS

GENUINE PARTS

OIL FILTER