

# 2023

# FY35

## VIPER

LIFT TRUCKS



### STANDARD FEATURES

- 8,000lb Base Capacity
- 3 Stage Mast
- Full Free Lift
- 89" Lowered Mast Height
- 189" Max Raised Fork Height
- Premium Air Pneumatic tires
- Backup Alarm
- Rear View Mirrors
- LED Front and Rear Lights
- Integrated LED Turn Signals
- Tilt Steering Column
- Twin USB Power Ports for Electric personal or Business Devices
- Digital Systems Monitor Display
- Rubber Floor mat
- Load Backrest
- 3 Way Hydraulics Plumbed to Carriage
- 12mo/2000hr Manufacturer Warranty

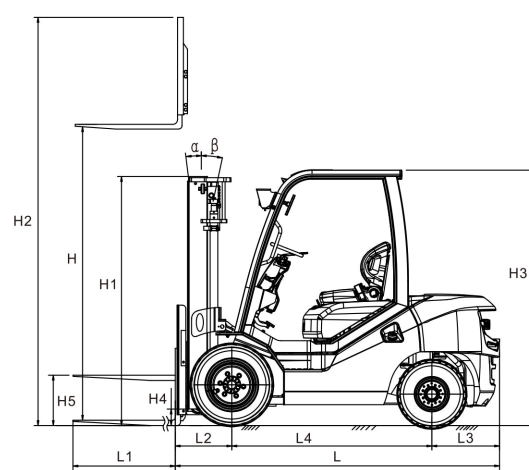


# 2023

# FY35

## SPECIFICATIONS

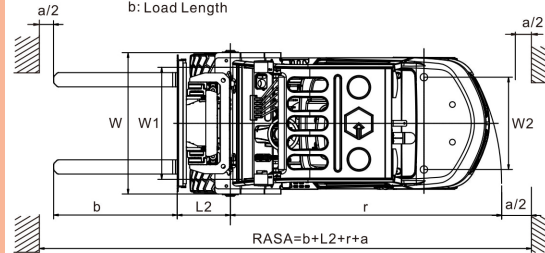
	<b>LPG (OPTIONAL DUAL FUEL)</b>
POWER TYPE	<b>LPG</b>
BASE CAPACITY	<b>8000 LBS</b>
CAPACITY 24" LC @189"	<b>5400 LBS</b>
SERVICE WEIGHT	<b>11240 LBS</b>
TIRE SIZE (FRONT)	<b>28x9-15-14PR</b>
TIRE SIZE (REAR)	<b>6.50-10-10PR</b>
WHEELBASE	<b>67"</b>
MAST TILT ANGLE (F/R)	<b>6/12</b>
LIFT HEIGHT (3 STAGE)	<b>189"</b>
LOWERED HEIGHT	<b>89"</b>
FREE LIFT	<b>73"</b>
LENGTH (LESS FORKS)	<b>115"</b>
WIDTH	<b>48"</b>
HEIGHT TO OVERHEAD GUARD	<b>85"</b>
TURNING RADIUS	<b>97"</b>
GROUND CLEARANCE	<b>5.5"</b>
MAX GRADABILITY	<b>20%</b>
TRANSMISSION	<b>AUTO</b>
TRANSMISSION SPEEDS	<b>1 FWD / 1 RVS</b>



RASA: Right-Angle Stack Aisle

a: Safety Clearance

b: Load Length



Engine model may vary

**VIPER**  
LIFT TRUCKS



# 2023

# FY35

## PICK YOUR COLOR!

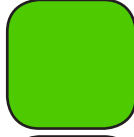
**ORANGE**



**RED**



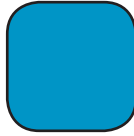
**GREEN**



**ACID GREEN**



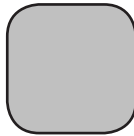
**SKY BLUE**



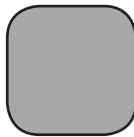
**ROYAL BLUE**



**SILVER**



**FROST GREY**



WWW.VIPERLIFTTRUCKS.COM

## FACTORY INSTALLED OPTIONS\*

DUAL FUEL ENGINE

SOLID TIRES (4)

SOLID TIRES (6)

SIDE SHIFTER

SIDE SHIFT FORK POSITIONER

DUAL DRIVE W/WIDE CARRIAGE

FULL SUSPENSION SEAT

CAB W/HEAT, WIPERS, LED LIGHTS

AIR CONDITIONING

DUAL AIR FILTER (N/A W/ CAB)

VERTICAL EXHAUST

FIRE EXTINGUISHER

STROBE LIGHT

REAR WORK LIGHT

4TH VALVE, LEVER AND HOISING

REAR HORN HANDLE/BUTTON

EATON STEERING



**EXTENDED WARRANTIES AVAILABLE  
INQUIRE WITH YOUR REPRESENTATIVE  
FOR FURTHER DETAILS**

**VIPER**  
LIFT TRUCKS



VIPER

VIPER  
LIFT TRUCK

25

VIPER  
LIFT TRUCKS  
GENUINE PARTS

VIPER  
LIFT TRUCKS

GENUINE PARTS

VIPER  
LIFT TRUCKS

GENUINE PARTS

VIPER  
LIFT TRUCKS

GENUINE PARTS

OIL FILTER