

2023

FY25

STANDARD FEATURES

- 5,000lb Base Capacity
- 3 Stage Mast
- Full Free Lift
- 85" Lowered Mast Height
- 189" Max Raised Fork Height
- Premium Air Pneumatic tires
- Backup Alarm
- Rear View Mirrors
- LED Front and Rear Lights
- Integrated LED Turn Signals
- Tilt Steering Column
- Twin USB Power Ports for Electric personal or Business Devices
- Digital Systems Monitor Display
- Rubber Floor mat
- Load Backrest
- 3 Way Hydraulics Plumbed to Carriage
- 12mo/2000hr Manufacturer Warranty

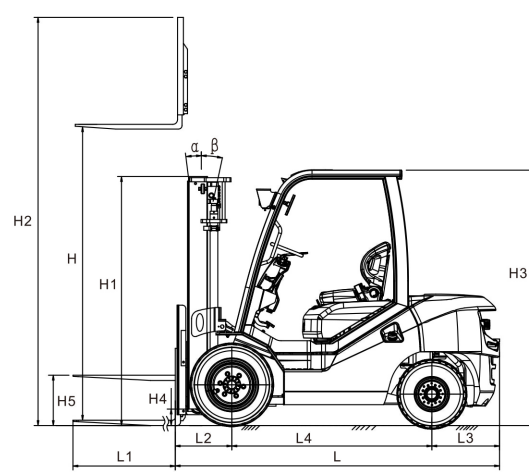


2023

FY25

SPECIFICATIONS

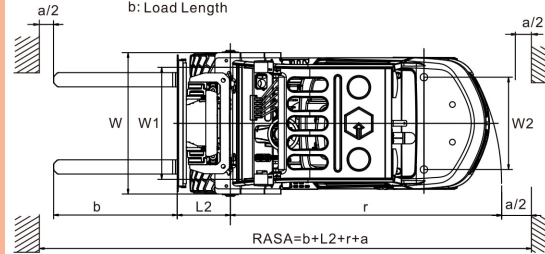
	LPG (OPTIONAL DUAL FUEL)
POWER TYPE	LPG
BASE CAPACITY	5000 LBS
CAPACITY 24" LC @189"	3900 LBS
SERVICE WEIGHT	9150 LBS
TIRE SIZE (FRONT)	7.00-12-12PR
TIRE SIZE (REAR)	6.00-9-10PR
WHEELBASE	63"
MAST TILT ANGLE (F/R)	6/12
LIFT HEIGHT (3 STAGE)	189"
LOWERED HEIGHT	85"
FREE LIFT	73"
LENGTH (LESS FORKS)	108"
WIDTH	45"
HEIGHT TO OVERHEAD GUARD	84"
TURNING RADIUS	90"
GROUND CLEARANCE	4.33"
MAX GRADABILITY	20%
TRANSMISSION	AUTO
TRANSMISSION SPEEDS	1 FWD / 1 RVS



RASA: Right-Angle Stack Aisle

a: Safety Clearance

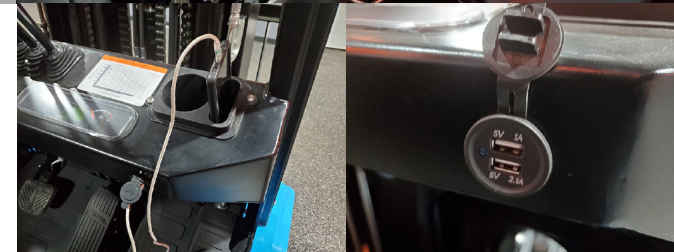
b: Load Length



Engine model may vary

VIPER

LIFT TRUCKS



2023

FY25

PICK YOUR COLOR!

ORANGE



RED



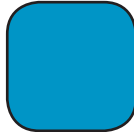
GREEN



ACID GREEN



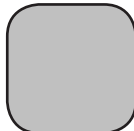
SKY BLUE



ROYAL BLUE



SILVER



FROST GREY



WWW.VIPERLIFTTRUCKS.COM

FACTORY INSTALLED OPTIONS*

DUAL FUEL ENGINE

SOLID TIRES (4)

SOLID TIRES (6)

SIDE SHIFTER

SIDE SHIFT FORK POSITIONER

DUAL DRIVE W/WIDE CARRIAGE

FULL SUSPENSION SEAT

CAB W/HEAT, WIPERS, LED LIGHTS

AIR CONDITIONING

DUAL AIR FILTER (N/A W/ CAB)

VERTICAL EXHAUST

FIRE EXTINGUISHER

STROBE LIGHT

REAR WORK LIGHT

4TH VALVE, LEVER AND HOISING

REAR HORN HANDLE/BUTTON

EATON STEERING



**EXTENDED WARRANTIES AVAILABLE
INQUIRE WITH YOUR REPRESENTATIVE
FOR FURTHER DETAILS**





VIPER

VIPER
LIFT TRUCKS

25

VIPER

OIL FILTER

VIPER
LIFT TRUCKS
GENUINE PARTS

VIPER
LIFT TRUCKS

GENUINE PARTS

VIPER
LIFT TRUCKS

GENUINE PARTS

VIPER
LIFT TRUCKS

GENUINE PARTS