

2023

FD60



STANDARD FEATURES

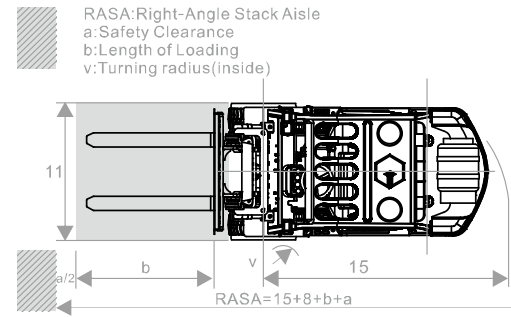
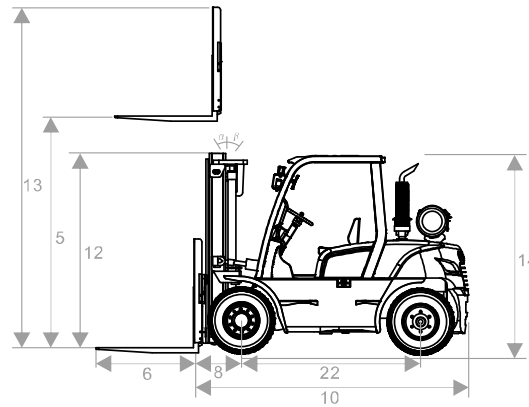
- 13,500lb Base Capacity
- 3 Stage Mast
- Full Free Lift
- 108" Lowered Mast Height
- 189" Max Raised Fork Height
- Premium Air Pneumatic tires
- EPA Tier 4 Final Cummins 3.8L Turbo Diesel Engine
- Engine Features 4cyl 74HP @2200 RPM
- Backup Alarm
- Rear View Mirrors
- LED Front and Rear Lights
- Integrated LED Turn Signals
- Tilt Steering Column
- Premium Seat
- Pre Air Cleaner
- Digital Systems Monitor Display
- Rubber Floor mat
- Load Backrest
- 3 Way Hydraulics Plumbed to Carriage
- 12mo/2000hr Manufacturer Warranty
- 1 Year/2000hr Cummins Engine Warranty



2023 FD60

SPECIFICATIONS

POWER TYPE	DIESEL
BASE CAPACITY	13,500 LBS
CAPACITY 24" LC @189"	11,200 LBS
SERVICE WEIGHT	20300 LBS
TIRE SIZE (FRONT)	8.25-15-14PR
TIRE SIZE (REAR)	8.25-15-10PR
WHEELBASE	88.5"
MAST TILT ANGLE (F/R)	6/12
LIFT HEIGHT (3 STAGE)	189"
LOWERED HEIGHT	108"
FREE LIFT	78"
LENGTH (LESS FORKS)	135.5"
WIDTH	79"
HEIGHT TO OVERHEAD GUARD	95.6"
TURNING RADIUS	128.3"
GROUND CLEARANCE	8"
MAX GRADABILITY	20%
TRANSMISSION	AUTO
TRANSMISSION SPEEDS	2 FWD / 2 RVS



[CLICK FOR ENGINE BROCHURE](#)

VIPER
LIFT TRUCKS



2023

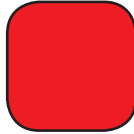
FD60

PICK YOUR COLOR!

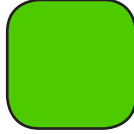
ORANGE



RED



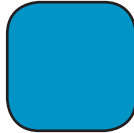
GREEN



ACID GREEN



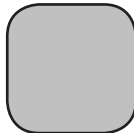
SKY BLUE



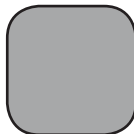
ROYAL BLUE



SILVER



FROST GREY



WWW.VIPERLIFTTRUCKS.COM

FACTORY INSTALLED OPTIONS*

SOLID TIRES (6)

SIDE SHIFTER

SIDE SHIFT FORK POSITIONER

FULL SUSPENSION SEAT

CAB W/HEAT, WIPERS, LED LIGHTS

AIR CONDITIONING

VERTICAL EXHAUST

FIRE EXTINGUISHER

STROBE LIGHT

REAR WORK LIGHT

4TH VALVE, LEVER AND HOSEING

REAR HORN HANDLE/BUTTON

EATON STEERING



**EXTENDED WARRANTIES AVAILABLE
INQUIRE WITH YOUR REPRESENTATIVE
FOR FURTHER DETAILS**

VIPER
LIFT TRUCKS



VIPER

VIPER
LIFT TRUCKS

25

VIPER

OIL FILTER

VIPER
LIFT TRUCKS
GENUINE PARTS

VIPER
LIFT TRUCKS

GENUINE PARTS

VIPER
LIFT TRUCKS

GENUINE PARTS

VIPER
LIFT TRUCKS

GENUINE PARTS