

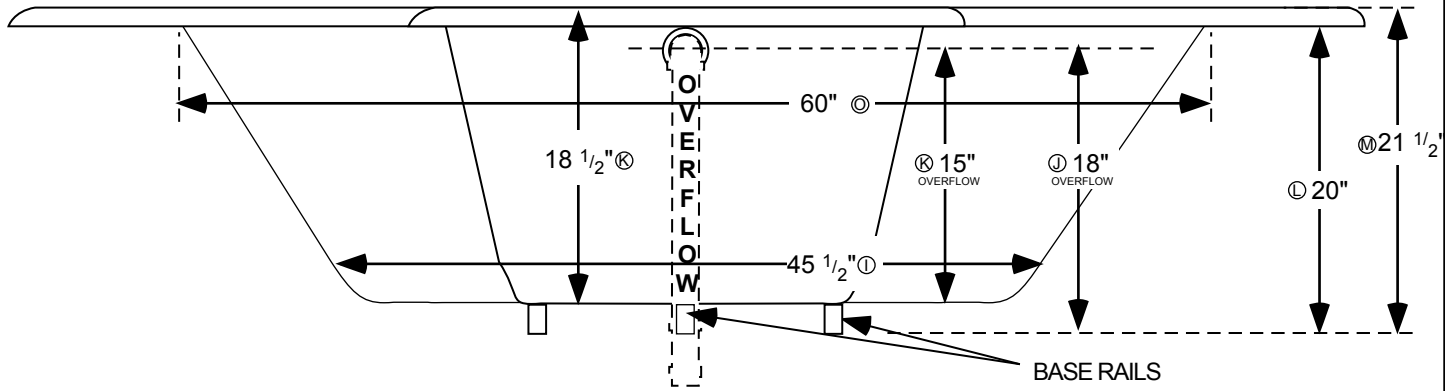
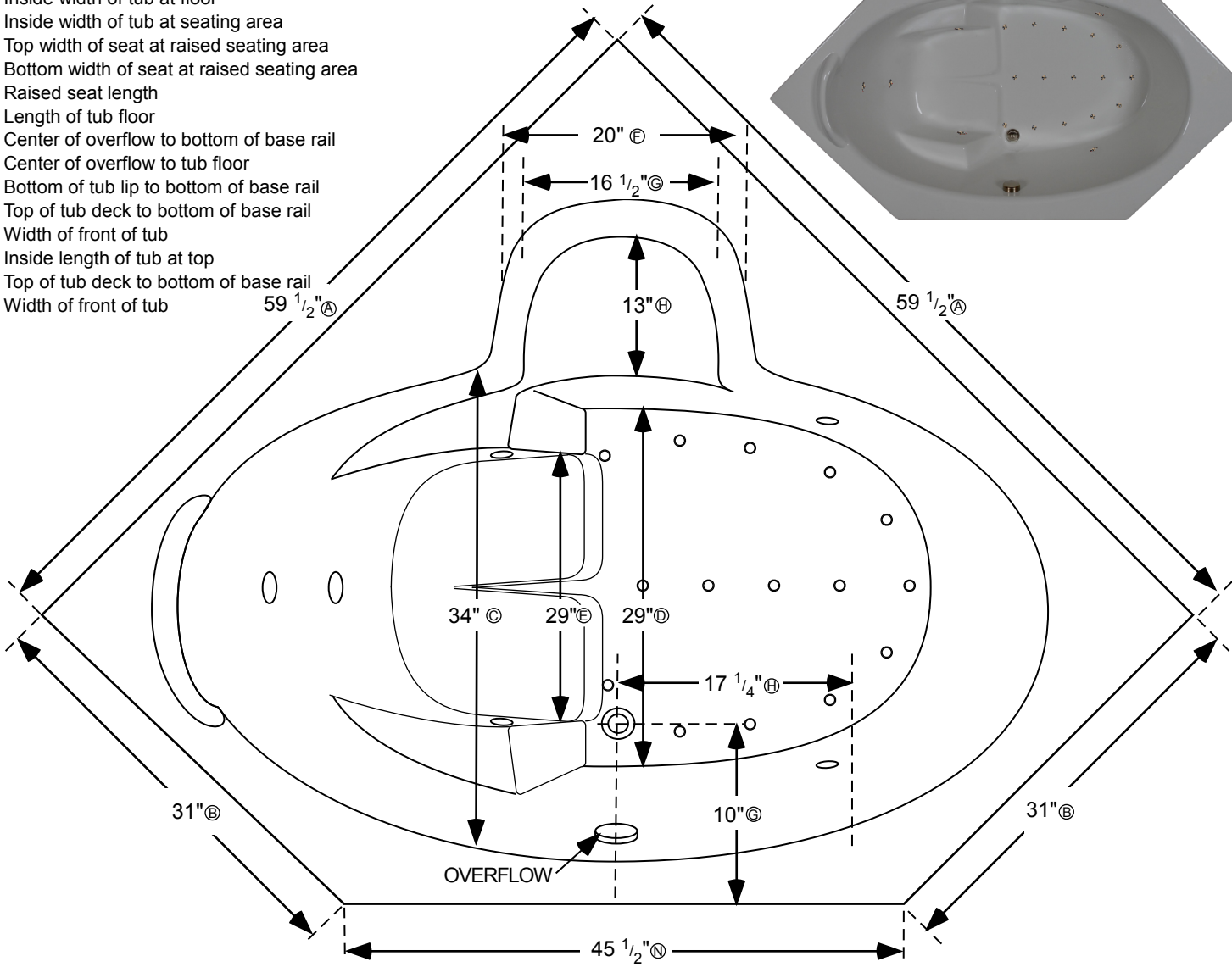
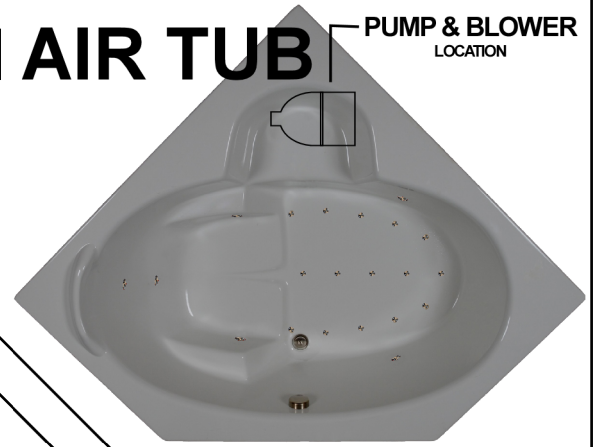
ALL SPECIFICATIONS VALID AS OF 07/23/2013
AND SUPERSEDES ALL PREVIOUS PUBLISHED DATA

6060 RN AIR TUB

PUMP & BLOWER
LOCATION

L=59 1/2" W= 59 1/2"

- Ⓐ Total length of tub
- Ⓑ Total width of tub front sides
- Ⓒ Inside width of tub at top
- Ⓓ Inside width of tub at floor
- Ⓔ Inside width of tub at seating area
- Ⓕ Top width of seat at raised seating area
- Ⓖ Bottom width of seat at raised seating area
- Ⓗ Raised seat length
- Ⓙ Length of tub floor
- Ⓚ Center of overflow to bottom of base rail
- Ⓛ Bottom of tub lip to bottom of base rail
- Ⓜ Top of tub deck to bottom of base rail
- Ⓝ Width of front of tub
- Ⓟ Inside length of tub at top
- Ⓠ Top of tub deck to bottom of base rail
- Ⓡ Width of front of tub



INSTALLATION: Add 1/2" to 1" height of tub at point Ⓛ to allow space for bedding compound. All Comfortflo Whirlpool Baths require mortar to be placed under tub for tub bedding. Please measure tub before building tub cabinet. Drawing shows standard pump location for this tub. Custom pump locations available - please call Comfortflo Whirlpool Baths for details. Measurements are plus or minus 1/2", and are subject to change without notice. Filling this tub to the maximum may require an above average size or dedicated water heater.

This data sheet supersedes all specifications published prior to this publication date.