

ALL SPECIFICATIONS VALID AS OF 07/23/2013
AND SUPERSEDES ALL PREVIOUS PUBLISHED DATA

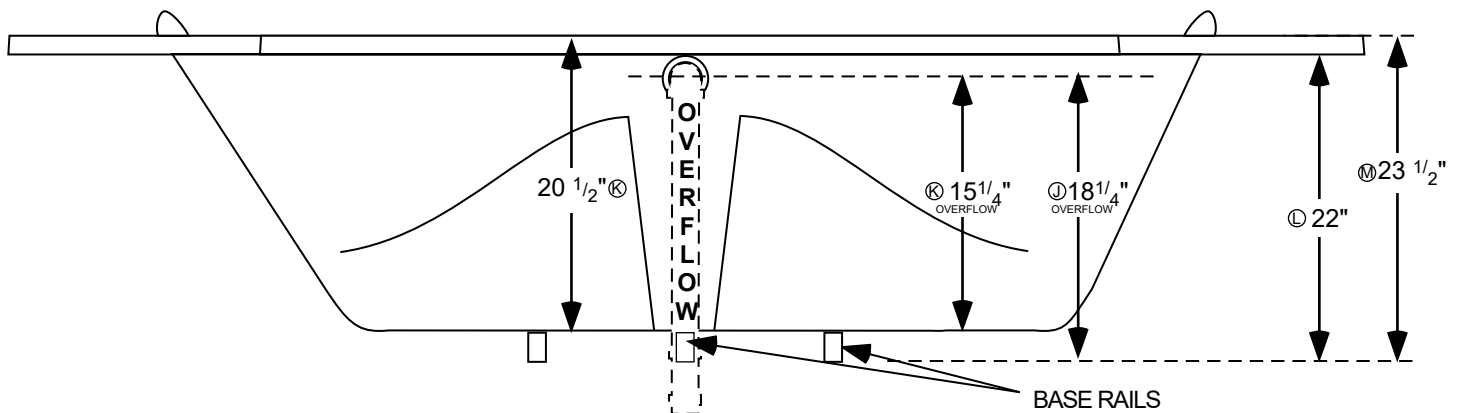
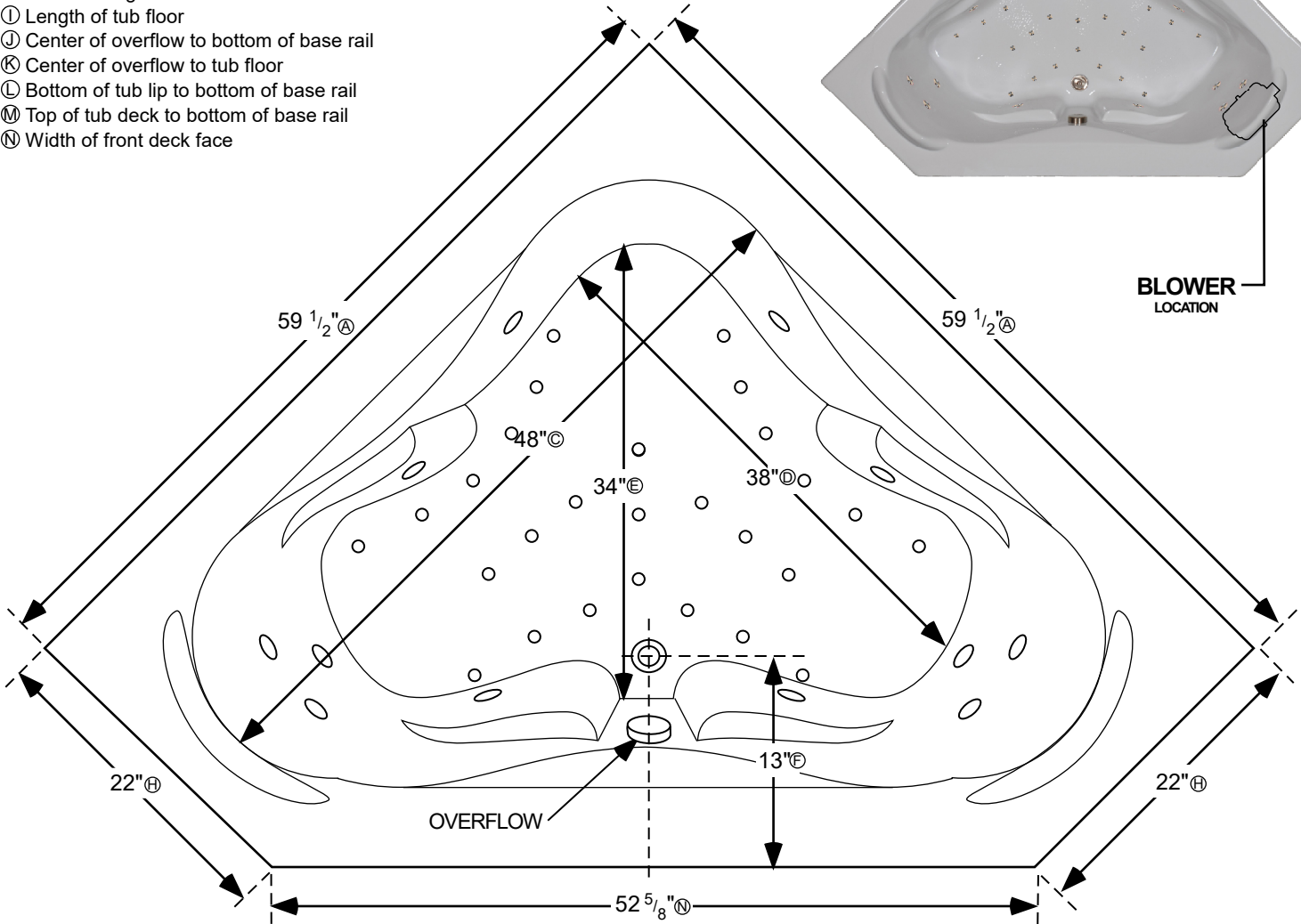
6060 CT AIR TUB

L=59 1/2" W= 59 1/2"

- Ⓐ Total length of tub
- Ⓑ Total width of tub front sides
- Ⓒ Inside width of tub at top
- Ⓓ Inside width of tub at floor
- Ⓔ Inside depth of tub at floor center
- Ⓕ Center of drain to tub front
- Ⓖ Bottom width of seat at raised seating area
- Ⓗ Width of angled tub ends
- Ⓘ Length of tub floor
- Ⓢ Center of overflow to bottom of base rail
- Ⓚ Center of overflow to tub floor
- Ⓛ Bottom of tub lip to bottom of base rail
- Ⓜ Top of tub deck to bottom of base rail
- Ⓝ Width of front deck face



BLOWER
LOCATION



INSTALLATION: Add 1/2" to 1" height of tub at point Ⓛ to allow space for bedding compound. All Comfortflo Whirlpool Baths require mortar to be placed under tub for tub bedding. Please measure tub before building tub cabinet. Drawing shows standard pump location for this tub. Custom pump locations available - please call Comfortflo Whirlpool Baths for details. Measurements are plus or minus 1/2", and are subject to change without notice. Filling this tub to the maximum may require an above average size or dedicated water heater.

This data sheet supersedes all specifications published prior to this publication date.