



THE QUEEN'S AWARDS  
FOR ENTERPRISE:  
INTERNATIONAL TRADE  
2018

**BLOCK  
NOW**

CALL LIST

BLOCK LIST

ALLOW LIST

DELETE

# V10000

## QUICK START GUIDE

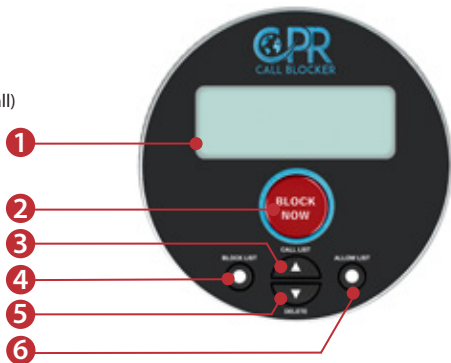
BLOCKS ALL Robocalls Unknown Calls Overseas Call Centers Scam Calls

The latests in call blocking technology, preprogrammed with **10,000** of the latest scam/robocall numbers plus you have the ability to block a further **2,000** numbers at the touch of the flashing **Block Now** button.

*Happy Blocking!!*

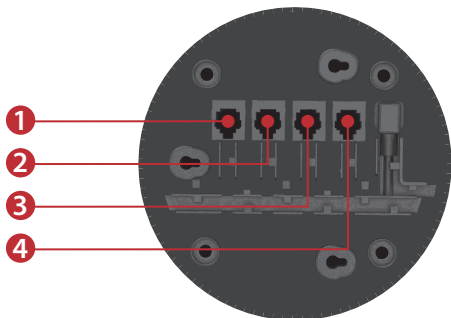
## FRONT

1. LCD screen
2. **Block Now** button (flashes with incoming call)
3. Call List button
4. Block List button
5. Delete button
6. Allow List button

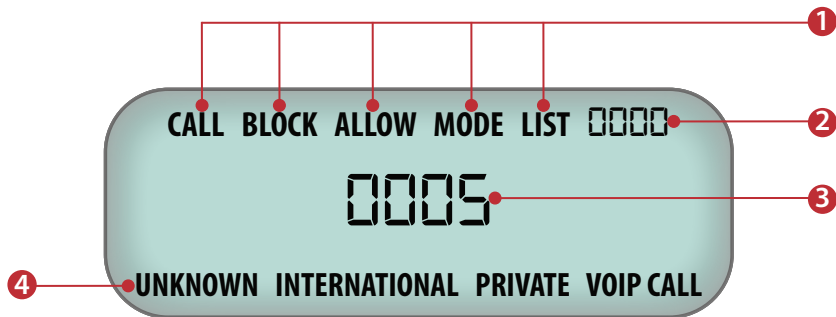


## BACK

1. **TEL1** port
2. **LINE1** port
3. **TEL** port
4. **LINE** port



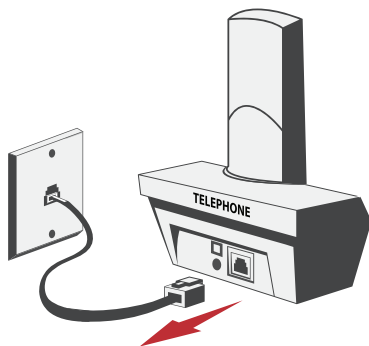
⚠️ This product requires Caller ID service from your network provider.



1. Displays which operating mode the Call Blocker is set to (ALLOW MODE or BLOCK MODE) and also which list menu you are in (CALL LIST, BLOCK LIST, ALLOW LIST).
2. Displays the number of times a BLOCKED call has tried to re-call.
3. Displays the amount of numbers that have been added to the BLOCK LIST.
4. Displays the Additional Blocking Features that have been activated.

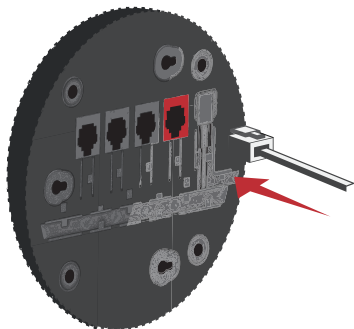
1.

Unplug the Line Cable from your telephone.



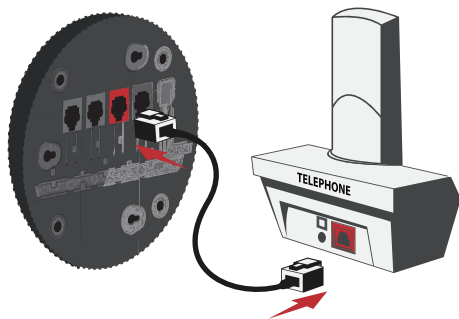
2.

Take the Line Cable that you unplugged from your telephone and insert it into the **LINE** port of the Call Blocker.



3.

Insert the short black cable provided into the **TEL** port. Placing the other end into the telephone.



4.

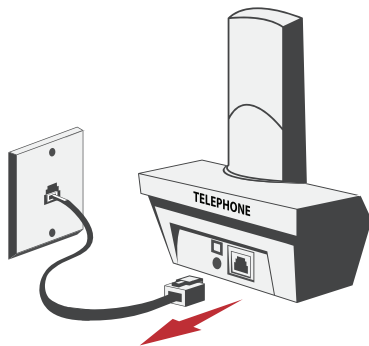
The call blocker screen should now display '0000'. Pick up the telephone handset and check that your dial tone is working.



⚠ If caller ID or power issues arise try the parallel setup method on page 5.

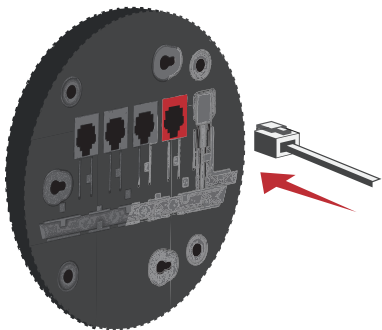
1.

Unplug the Line Cable from your telephone.



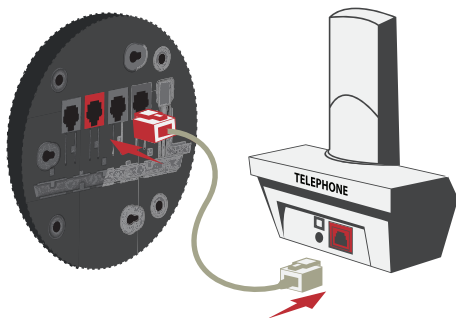
2.

Take the Line Cable that you unplugged from your telephone and insert it into the **LINE** port of the Call Blocker.



3.

Insert the red end of the white cable provided into the **LINE1** port. Placing the other end into the telephone.



4.

The call blocker screen should now display '0000'. Pick up the telephone handset and check that your dial tone is working.





You should now be set up correctly and ready to **start blocking those pesky unwanted Robocalls!**



The V10000 has two operating modes: Block Mode and Allow Mode. As default the call blocker will be set in Block Mode.

## BLOCK MODE

1.

If the call is unwanted, simply press the flashing **BLOCK NOW** button.



2.

The number will then be added to the BLOCK LIST and cannot call you again.



3.

If using a cordless DECT phone system, press # then **2** (during a call) from any handset to activate the **Block Now** function. Then hang up.



## ALLOW MODE

1.

When the Call Blocker is set in ALLOW MODE only numbers programmed in the ALLOW LIST can call.



2.

If you want to set the Call Blocker into ALLOW MODE simply hold down the ALLOW LIST button until 'SUCCESSFUL' is displayed.

ALLOW LIST



3.

There are three ways to add numbers to the ALLOW LIST:

1. Pressing the ALLOW LIST button on a number in the CALL LIST
2. Pressing the ALLOW LIST button on a number in the BLOCK LIST
3. By Manual Entry (follow the instructions on page 11).



4.

To remove a number from the ALLOW LIST scroll to find the number and hold down the DELETE button for 5 seconds.



DELETE

5.

If you wish to revert back to BLOCK MODE simply hold down the BLOCK LIST button until 'SUCCESSFUL' is displayed.

BLOCK LIST



## BLOCK NOW

By pressing the **BLOCK NOW** button during a call, the number will be added to the BLOCK LIST and will not be able to call you again.



## BLOCK LIST

Displays the numbers that you have added to the BLOCK LIST. To navigate through the list use the (▲▼) keys.

BLOCK LIST



## ALLOW LIST

To navigate through the numbers that you have added to the ALLOW LIST use the (▲▼) keys.

ALLOW LIST



## CALL LIST

Displays the last 20 incoming call records. To navigate through the list use the (▲▼) keys. To add any of the CALL LIST numbers to the BLOCK LIST simply press the **BLOCK NOW** button.

CALL LIST



## DELETE

To remove a number from the BLOCK or ALLOW lists, scroll to find the number and hold down the DELETE button for **5 seconds**.



DELETE

## HOME

By pressing the CALL LIST and DELETE button together you will return to the Home screen.

CALL LIST



DELETE

## ADD NUMBERS TO THE BLOCK LIST OR ALLOW LIST

Pick up the telephone handset. When you have a dial tone enter number and press **Block List** or **Allow List**.

## ADDITIONAL BLOCKING FEATURES

Pick up the telephone handset. When you have a dial tone, **Please enter the codes on your telephone keypad you wish to apply**. You will hear a single “beep” after each # to confirm a successful entry. You will hear multiple “beeps” if a code or number has been previously entered.

1	Blocking all <b>Private Callers</b>	<b>Turn on:</b> ** 7 # (beep) 7 * # (beep) <b>Turn off:</b> ** 6 # (beep) 7 * # (beep)
2	Blocking all <b>Out of Area Callers/International</b>	<b>On:</b> ** 7 # (beep) * # (beep) <b>Off:</b> ** 6 # (beep) * # (beep)
3	Blocking all <b>Unknown Callers</b>	<b>On:</b> ** 7 # (beep) # (beep) <b>Off:</b> ** 6 # (beep) # (beep)
4	Blocking all <b>International numbers with 00 prefixes</b>	<b>On:</b> ** 7 # (beep) 0 0 # (beep) <b>Off:</b> ** 6 # (beep) 0 0 # (beep)
5	Blocking all <b>VOIP/IP Rogue Dialler Callers</b>	<b>On:</b> ** 7 # (beep) 6 * # (beep) <b>Off:</b> ** 6 # (beep) 6 * # (beep)
6	<b>Play voice message to blocked callers</b>	<b>On:</b> ** 0 # (beep) *1# (beep) <b>Off:</b> ** 0 # (beep) *0# (beep)

## RESET CALL BLOCKER BACK TO FACTORY SETTINGS

Press and hold **Block List** and **Allow List** together for 5 seconds (until “SUCCESSFUL” is displayed).

**Q. My answering machine has stopped working correctly?**

**A. The Call Blocker silences the first 1 or 2 'rings' on the line while it checks the BLOCK LIST**, this can cause some answering machines to initiate earlier than usual. To resolve this try increasing the number of rings before the answering machine answers a call to 6. If this doesn't work try connecting the Call Blocker in the parallel set up.

**Q. I keep getting a busy signal when entering codes?**

**A.** Set up the Call Blocker using the standard method and hold down the **Block Now** button for 5 – 10 seconds, this will enable programming mode which will allow codes to be entered.

**Q. Why is my call blocker blocking wanted calls?**

**A. Ensure that you have an active caller ID subscription, otherwise the call blocker will treat all calls as unwanted.** Caller I.D is required for the Call Blocker to read the number

**Q. Why do callers that I have blocked still come through?**

**A.** This is a 'Rogue Dialler' or a 'VOIP' caller, they use computers to call numerous people at once and spoof their number to allow themselves to contact people continuously. Please enter the following code with a dial tone: **\*\*7#6\*#** To block 'Rogue Diallers'

**Q. Why is there is an error message on my call blocker?**

**A.** This is caused by a power surge on the line that has caused the Call Blocker to shut down protecting itself from damage, please disconnect the call blocker from the power for 1 hour, then reconnect.

**Q. I'm having difficulty adding programming codes?**

**A.** We are here to help, our technical support team can assist you by remotely accessing your call blocker while you are on the phone to us. **WE CAN INSERT THE CODES YOU WISH TO ADD.**

**Q. How do I Unblock/Block a Cell Phone Number (USA)?**

**A.** To unblock a Cell Phone Number, get a dial tone and enter: **\*\*6#1 FULL NUMBER #**, to Block a Cell Phone Number enter: **\*\*7#1 FULL NUMBER #**

For more FAQ's please visit [www.support.cprcallblockerusa.com](http://www.support.cprcallblockerusa.com)  
or call our tech support team on: 888 - 507 - 7486

**DONT FORGET!** You have a FREE 1 year manufacturers warranty with your Call Blocker, you can extend to a 3-Year warranty for only \$9.99.

Register your warranty: [www.callblockerusa.com/warranty](http://www.callblockerusa.com/warranty)



Did We Make You Happy?  
**Why not leave a review?**

Simply visit: [www.callblockerusa.com](http://www.callblockerusa.com)



Did We Do Something Wrong?  
**Let us put it right!**

Simply contact our customer service team and we will be happy to fix it for you.

**DON'T FORGET TO REGISTER YOUR WARRANTY**  
Please visit: [www.callblockerusa.com/warranty](http://www.callblockerusa.com/warranty)

For technical support please visit [www.support.cprcallblockerusa.com](http://www.support.cprcallblockerusa.com)  
or call our tech support team on: 888-507-7486

CPR Call Blocker was created to keep people safe from scam and nuisance robocalls. Proving a simple, low cost, effective blocking solution has always been at the forefront of its creation.

CPR Call Blocker now helps over 1,000,000 home owners and businesses in over twelve countries solve their nuisance robocall problems.



CPR now design and manufactures a range of helpful products from cell phones to GPS Tracking emergency assist technology. For more information on our innovative products please visit [www.callblockerusa.com](http://www.callblockerusa.com).

**We would like to thank all our customers and partners in helping us achieve the following Awards:**





Thank you for purchasing the

**V10000**

The Ultimate Call Blocker

from the  
*CPR Team*

**Contact Us**

Skype: cprcallblocker  
support@callblockerusa.com  
www.callblockerusa.com

**Tech Support**

USA: 888-507-7486  
AUS: 1 800 187 358  
UK: 0800 652 7780

**CPR Global Tech**

2711 Centerville Road  
Wilmington  
Delaware | 19808 - 1645