



# POL2233

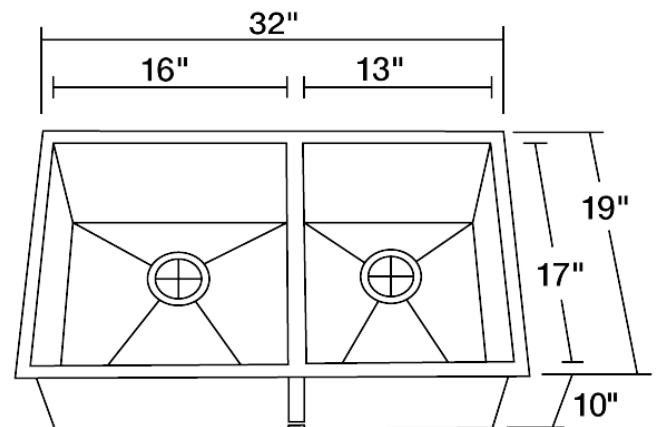
## Double Rectangular Stainless Steel Sink

The 90 degree POL2233 double bowl rectangular sink is constructed from one solid piece of 16 gauge, 304 grade stainless steel. Since the steel is not stretched or molded, this sink is one of the sturdiest and heaviest stainless steel sinks available. The surface has a brushed satin finish to help mask small scratches that occur over time and keep your sink looking beautiful for years. The overall dimensions of the POL2233 are 32" x 19" x 10" and a 33" minimum size cabinet is required. This sink contains a 3 1/2" offset drain, is fully insulated and comes with sound dampening pads. As always, our stainless steel sinks are covered under a limited lifetime warranty for as long as you own the sink. Reverse bowls are available.

### Tech Specs

- 16-Gauge Steel
- Certified High-Quality 304 Stainless Steel
- Brushed Satin Finish
- Offset Drain
- Thick Sound Dampener Rubber Pad
- Fully Insulated
- Cardboard Cutout Template Included
- Installation Hardware Included
- cUPC Certified (Uniform Plumbing Code)
- Lifetime Warranty

### Dimensions



### Accessories Available

