

KOHLER®

Vault™

Top-mount Apron Front Kitchen Sink
K-3935-4

Features

- 30-inch minimum base cabinet width.
- 18-gauge stainless steel.
- Top-mount.
- Medium single bowl.
- Three faucet holes with one accessory hole to the right.
- With integral shortened self-trimming apron.
- With SilentShield® sound-absorption technology.
- 29-3/4" (756 mm) x 24-5/16" (618 mm)

Optional Accessories

- K-6429 Utility Rack
- K-6466 Sink Rack
- K-8801 Sink Strainer

Components

Product includes:

- 1130570 Hardware Kit, Self-Rimming
- 1173293 Hardware Kit, Side Clip



Codes/Standards

None Applicable

Lifetime Limited Warranty for KOHLER® Stainless Steel Sinks

See website for detailed warranty information.

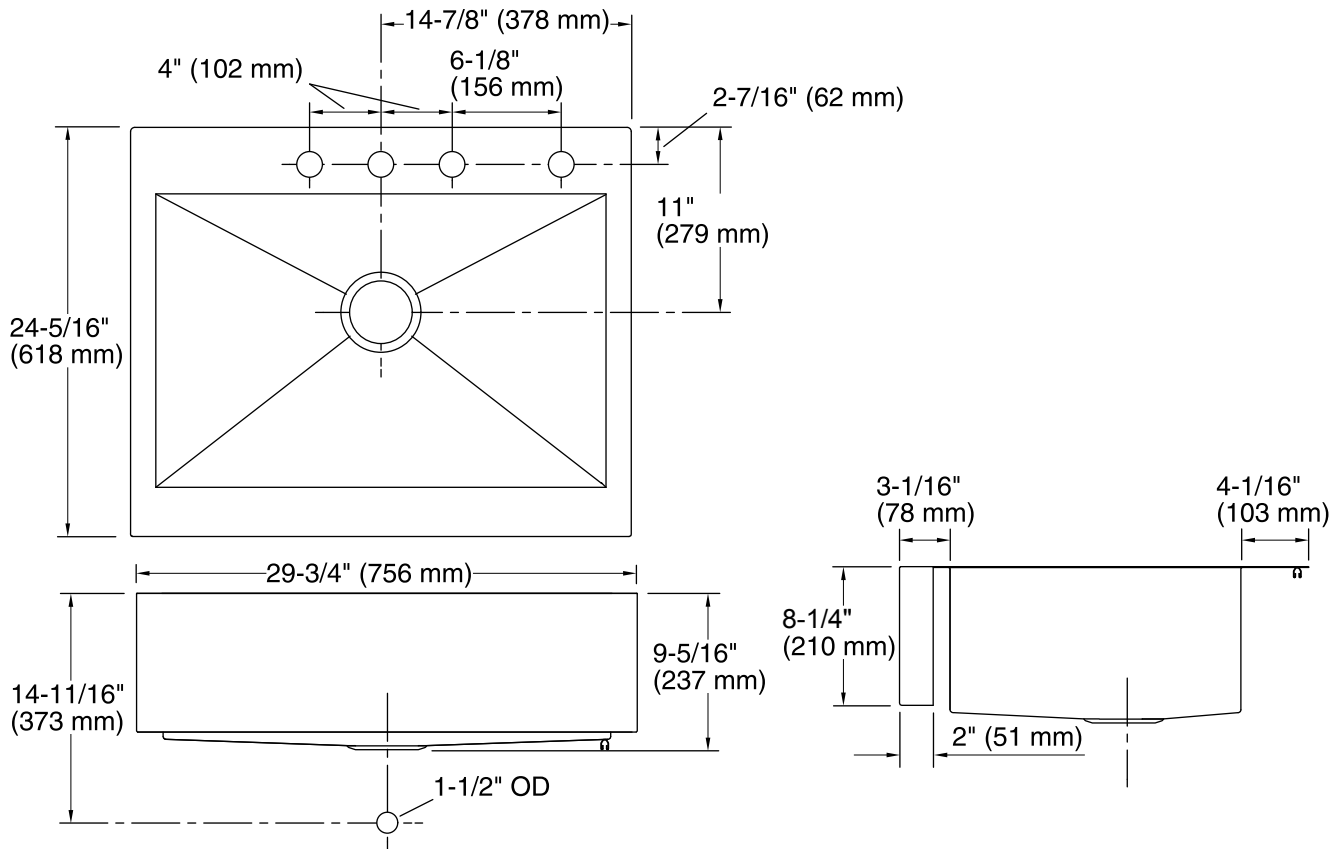
USA/Canada: 1-800-4KOHLER (1-800-456-4537)

Kohler Co. reserves the right to make revisions without notice to product specifications.

For the most current Specification Sheet, go to www.kohler.com.

12-20-2016 05:29

THE BOLD LOOK
OF **KOHLER®**



Technical Information

All product dimensions are nominal.

| | |
|--------------------------|---------------------------------------------------------------------------------|
| Bowl configuration: | Single |
| Installation: | Top-mount |
| Min. base cabinet width: | 30" (762 mm) |
| Bowl area (Only) | Length: 26-1/2" (673 mm) Width: 17-3/16" (437 mm) Bowl depth: 9" (229 mm) |
| Number of deck holes: | 4 |
| Faucet hole(s): | 1-7/16" (37 mm) |
| Drain hole: | 3-5/8" (92 mm) |
| Template: | 1166716-7, required, included 1178341, required, included |

Notes

Install this product according to the installation instructions.